
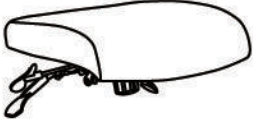
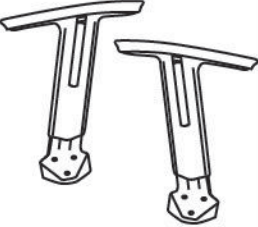



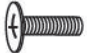


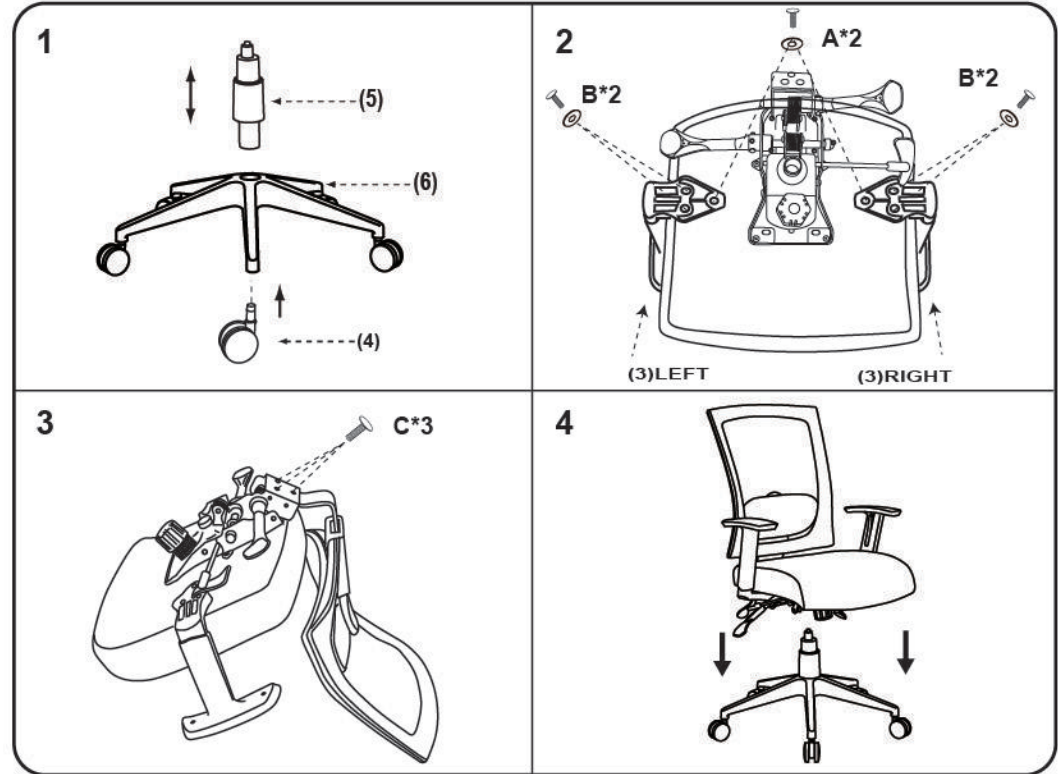


**IMPORTANT NOTICE:
HARDWARE PACKAGE IS ATTACHED
ON THE BOTTOM OF SEAT CUSHION.**

(1)x1  Back Cushion	(2)x1  Seat Cushion & Mechanism	(3)x1 (L)x1 (R)  Left-Arm Right-Arm
(4)x 5  Caster	(5)x1  Gas Lift W/ Cover	(6)x1  Base
(A)*2  M6*30 Arm Screws	(B)*4  M6*40 Arm Screws	(C)*3  M8*18 Back Bar Screws



Insert and loosely tighten all screws. When assembly is completed, fully tighten all screws before using. This chair is only intended for sitting. Any other use will void the warranty.

