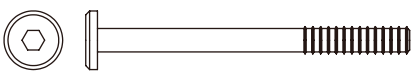
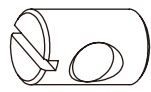


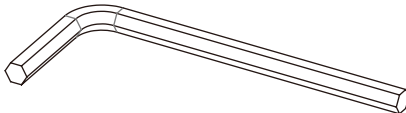
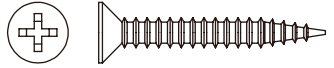
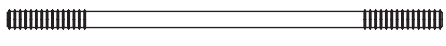
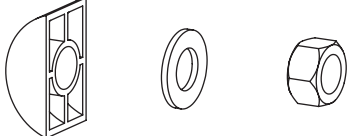
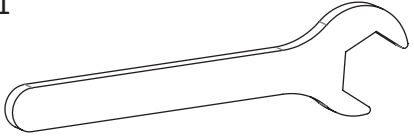

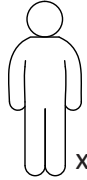
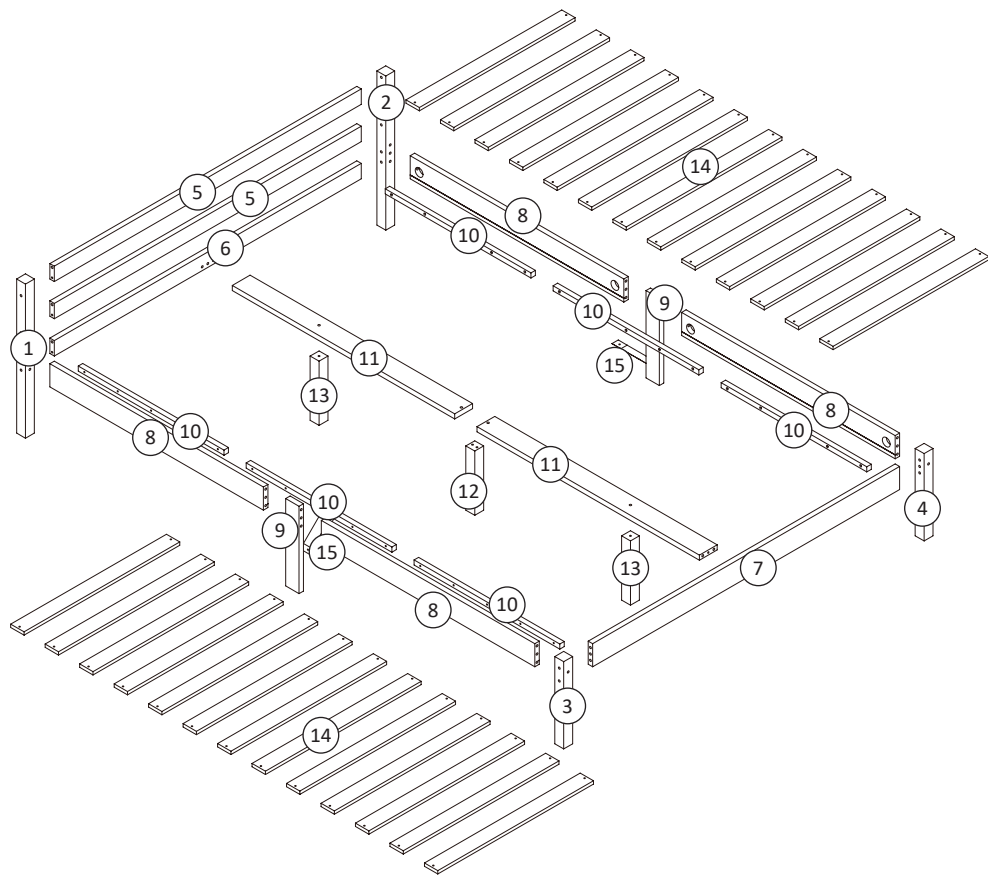




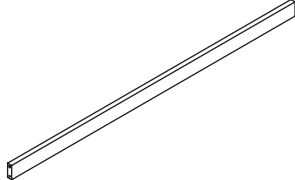
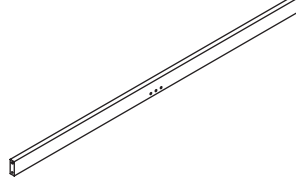
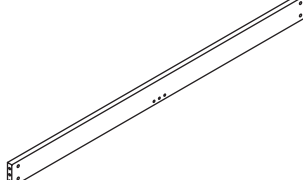
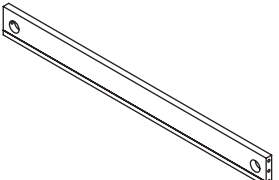

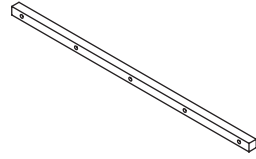
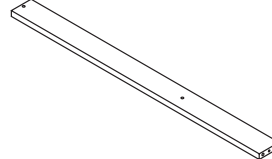


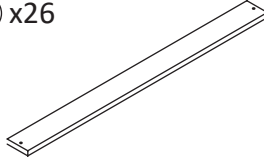
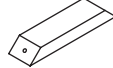
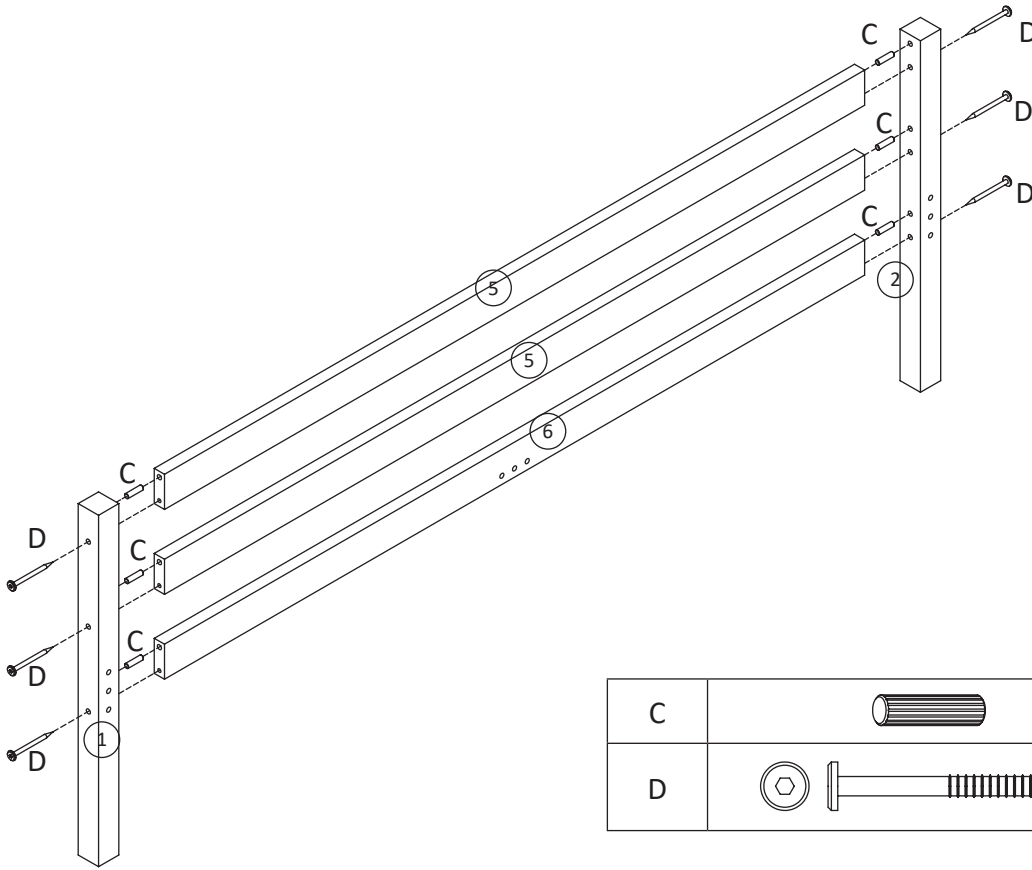



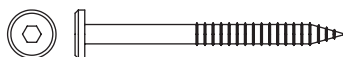
<p>Ax8</p>  <p>M6x $\frac{80}{3.15}$</p>	<p>Bx4</p> 	<p>Cx28</p>  <p>M8x $\frac{30}{1.18}$</p>
<p>Dx6</p>  <p>M6x $\frac{80}{3.15}$</p>	<p>Ex1</p> 	<p>Fx86</p>  <p>M4x $\frac{30}{1.18}$</p>
<p>Gx2</p>  <p>M6x $\frac{140}{5.51}$</p>	<p>Hx8</p> 	<p>Ix1</p> 
<p>Jx6</p>  <p>M7x $\frac{50}{1.97}$</p>	 <p>mm inch</p> <p>x2</p>	



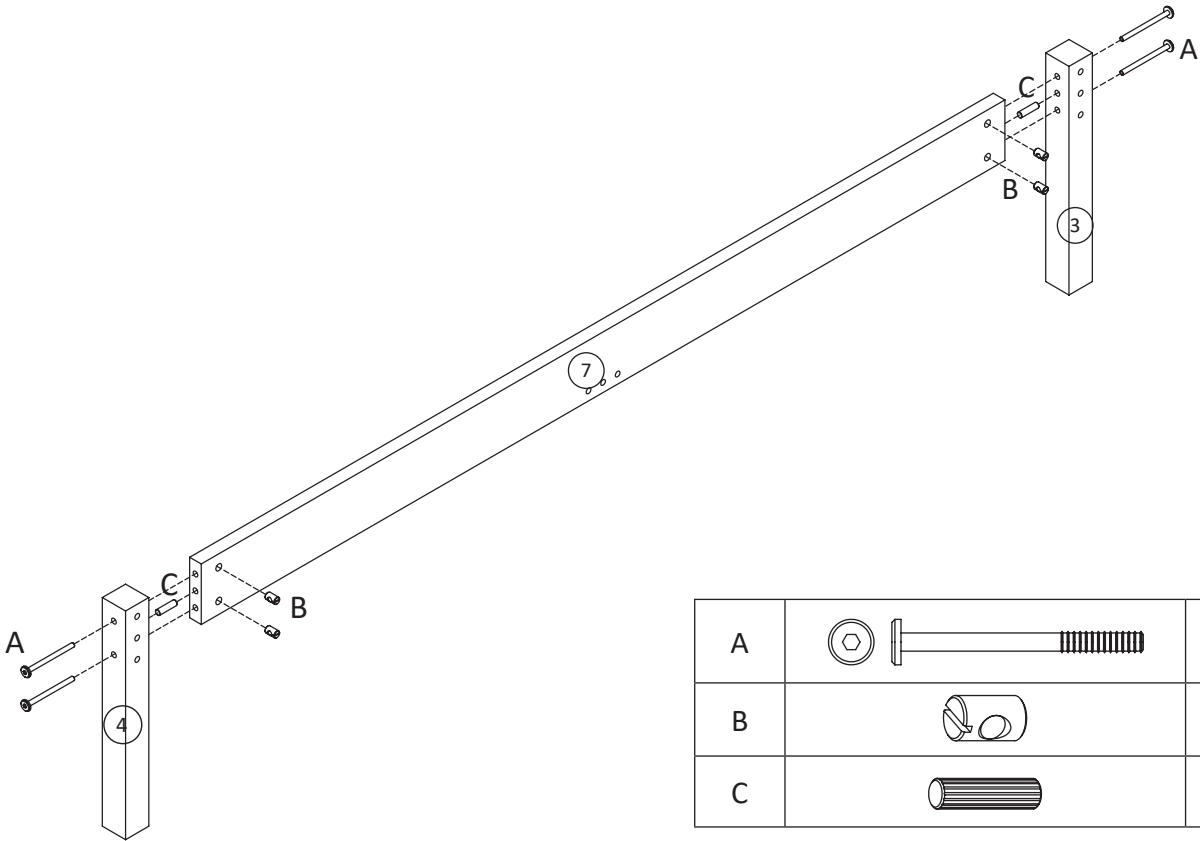
<p>① x1</p> 	<p>② x1</p> 	<p>③ x1</p> 	<p>④ x1</p> 
<p>⑤ x2</p> 	<p>⑥ x1</p> 	<p>⑦ x1</p> 	<p>⑧ x4</p> 
<p>⑨ x2</p> 	<p>⑩ x6</p> 	<p>⑪ x2</p> 	<p>⑫ x1</p> 
<p>⑬ x2</p> 	<p>⑭ x26</p> 	<p>⑮ x2</p> 	

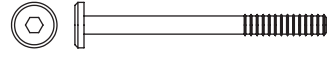
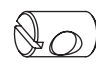

1



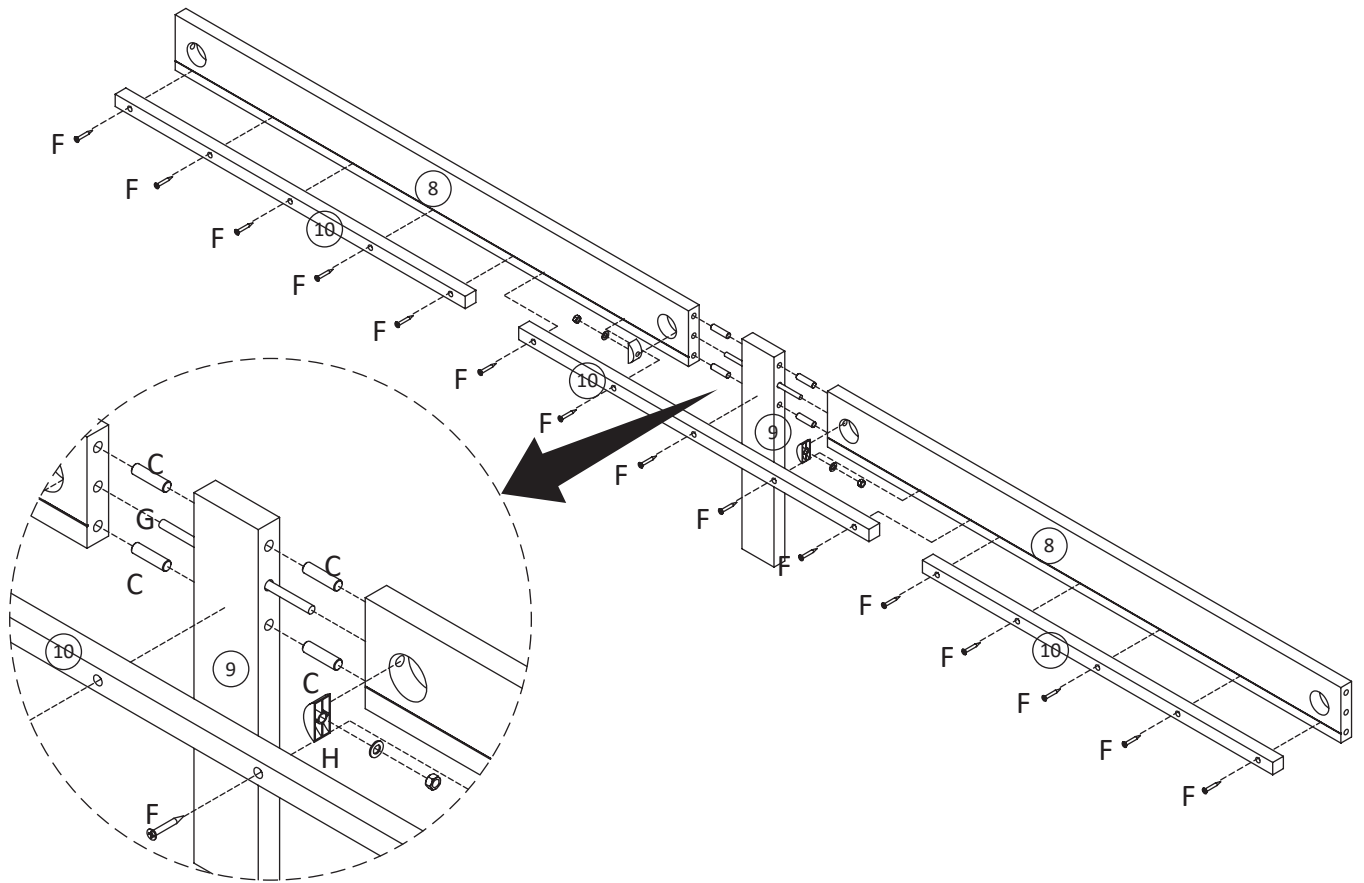
C		x6
D		x6



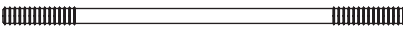

2

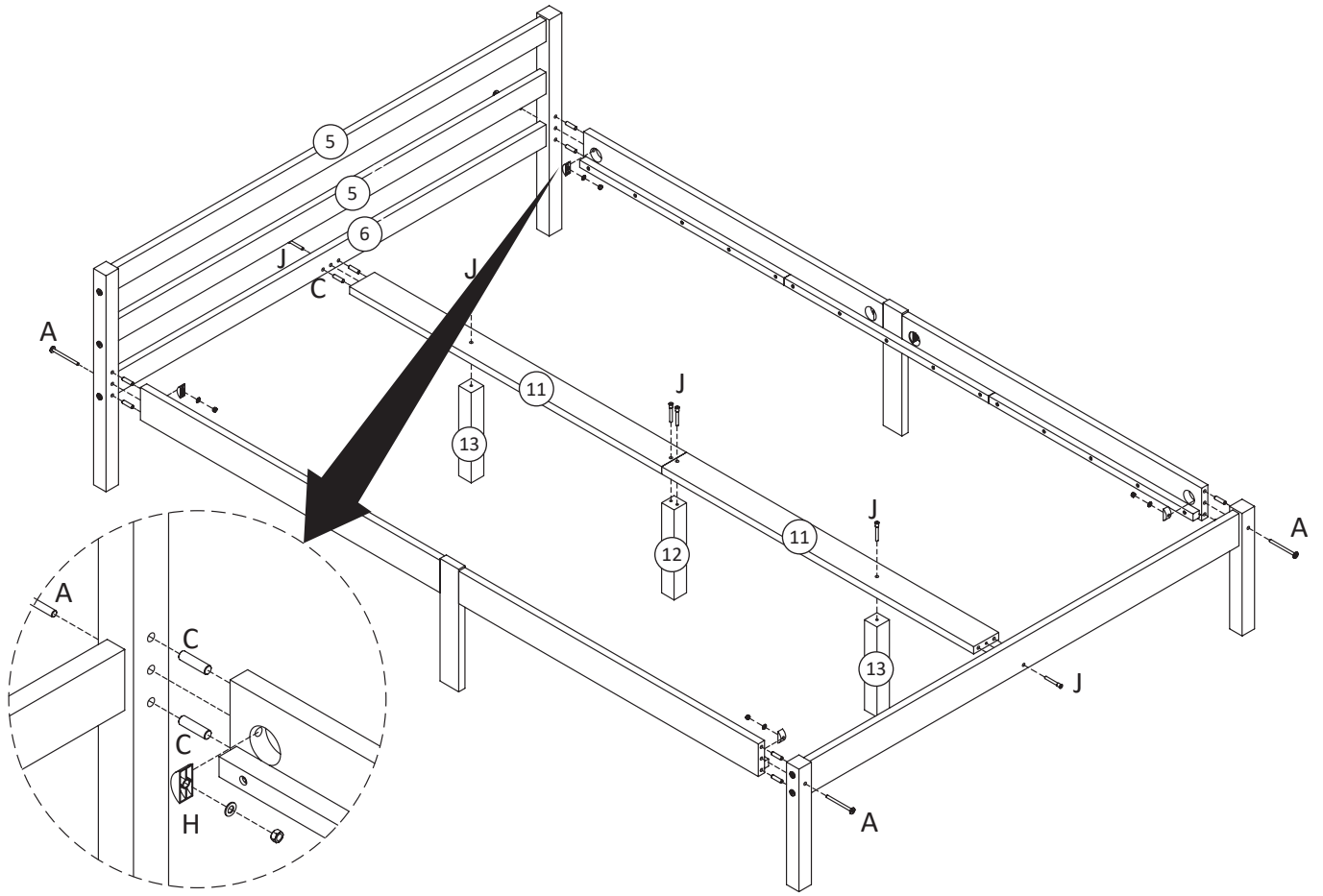


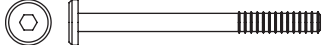



A		x4
B		x4
C		x2

3 x2

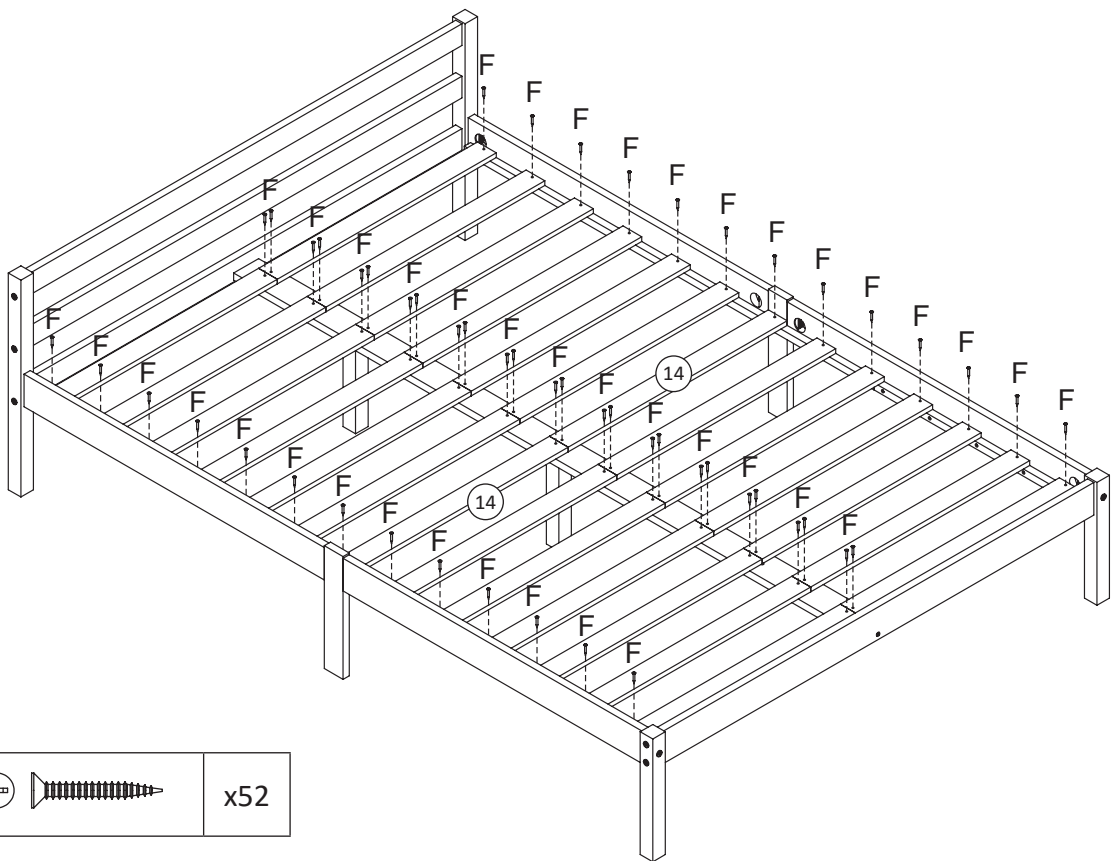



C		x8
F		x30
G		x2
H		x4



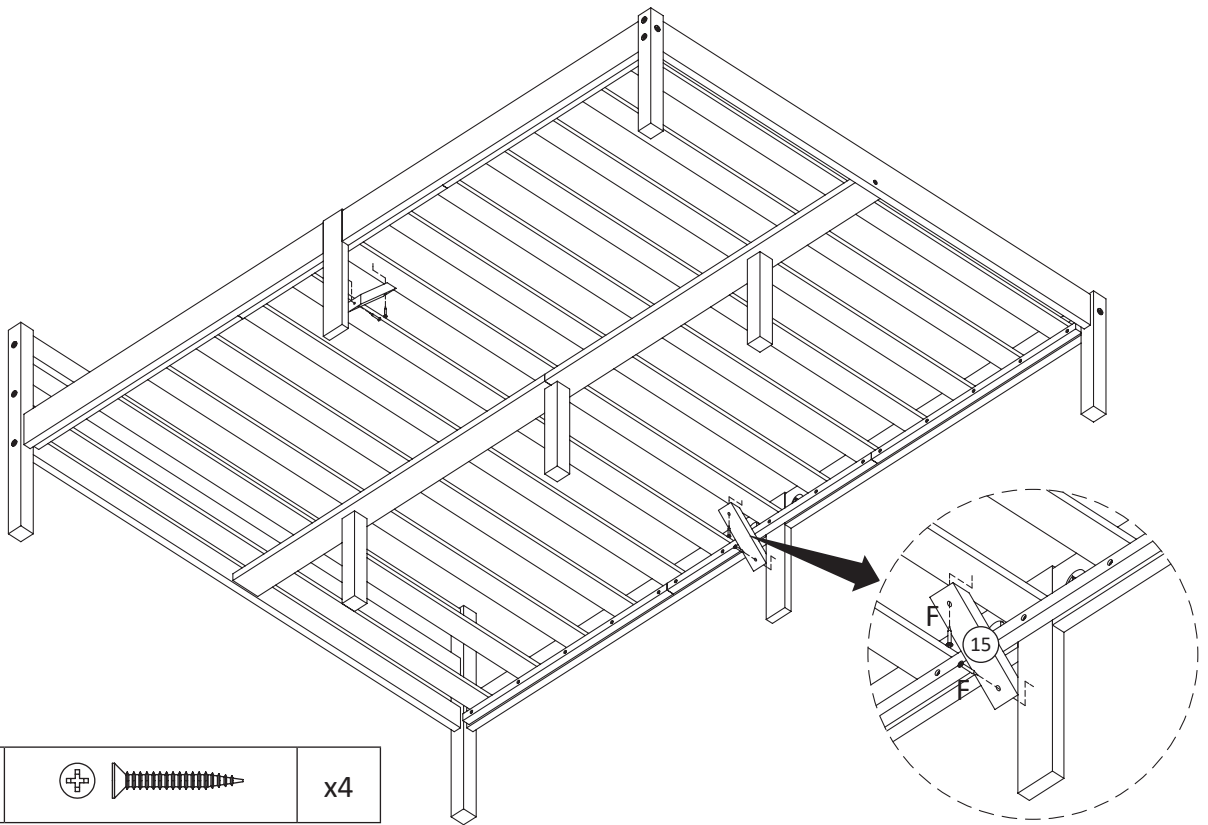
A		x4
C		x12
H		x4
J		x6


5



F		x52
---	---	-----

6



F		x4
---	---	----