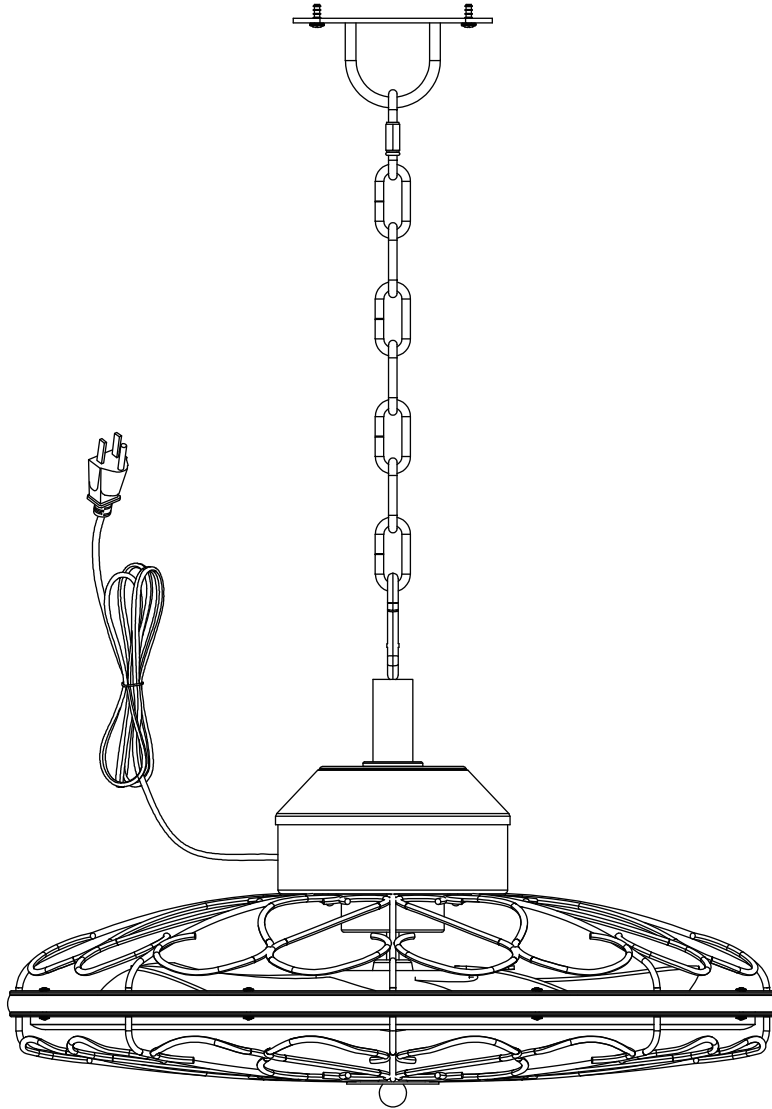


CEILING FAN WITH LIGHT



INSTALLATION MANUAL

TOOLS REQUIRED



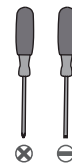
Ladder



Pliers



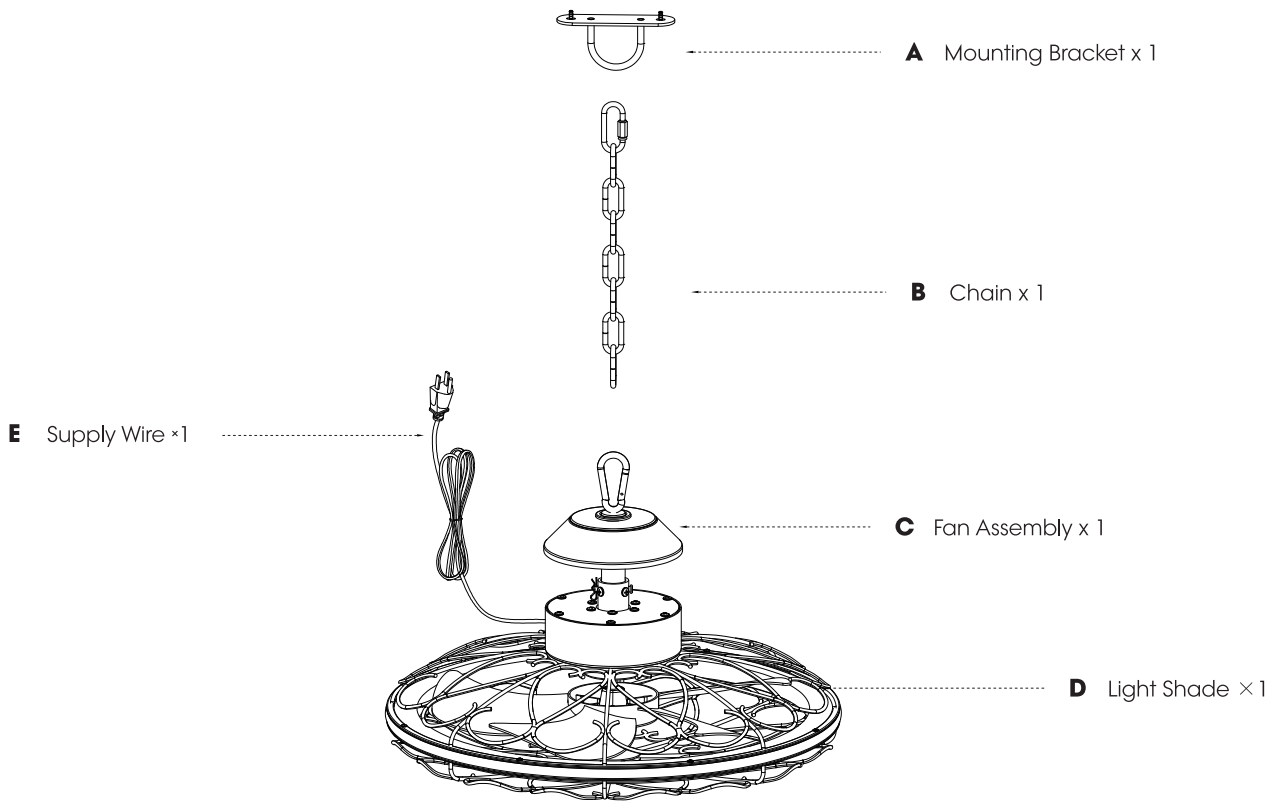
Wire Strippers



Screwdrivers



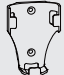

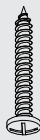


01

PACKING LIST



02

INSTALLATION KIT

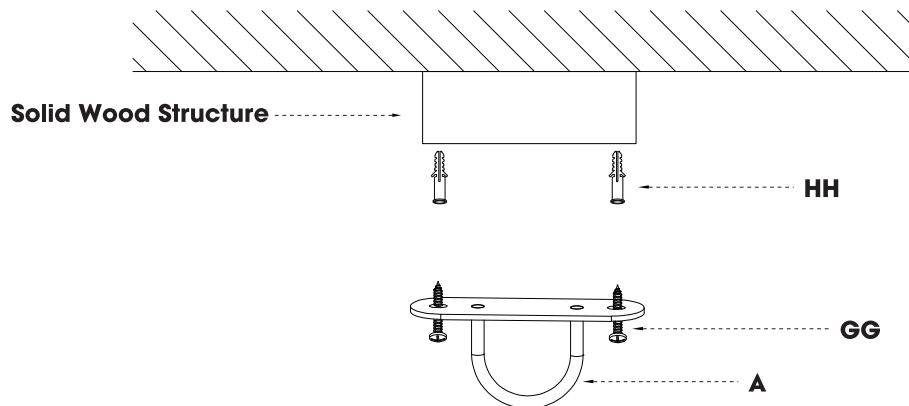
AA  12in Long Hanging Rod 1x	BB  5.9in Short Hanging Rod 1x	CC  Gloves 1x	DD  Remote Holder 1x
EE  Coupling Cover 1x	FF  Anchor Bolt 3x	GG  Wood Screw 3x	HH  Plastic Anchor 3x
II  Clevis Pin 1x	JJ  R Pin 1x	KK  Remote Control 1x	

03

INSTALLATION (FOR CHAIN-MOUNT)

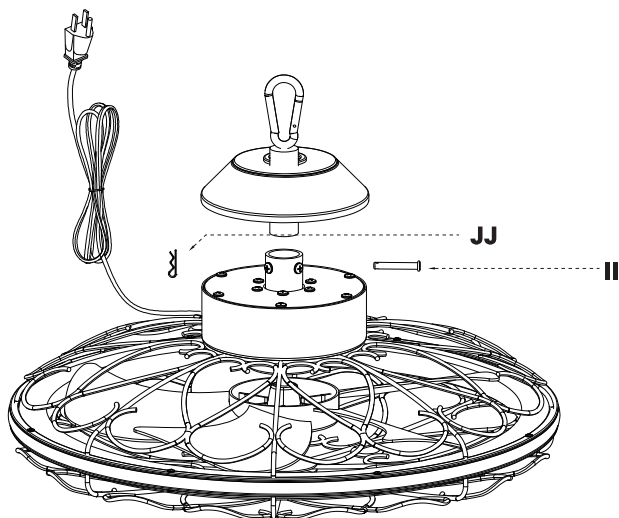
1. Installing the Mounting Bracket

Step 1. Use Wood Screw (GG) and Plastic Anchor (HH) to fix the Mounting Bracket (A) on the solid wood structure.



2. Remove the Clevis Pin and R Pin

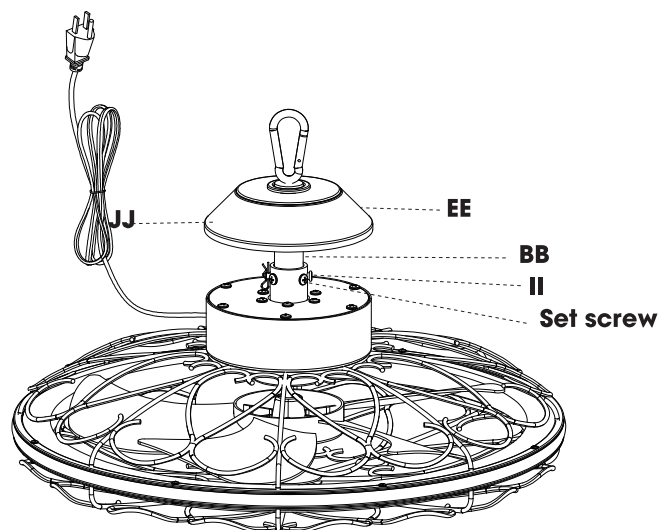
Step 1. Remove the Clevis Pin (II) and R Pin (JJ) from the lamp body.



3. Install the Short Hanging Rod

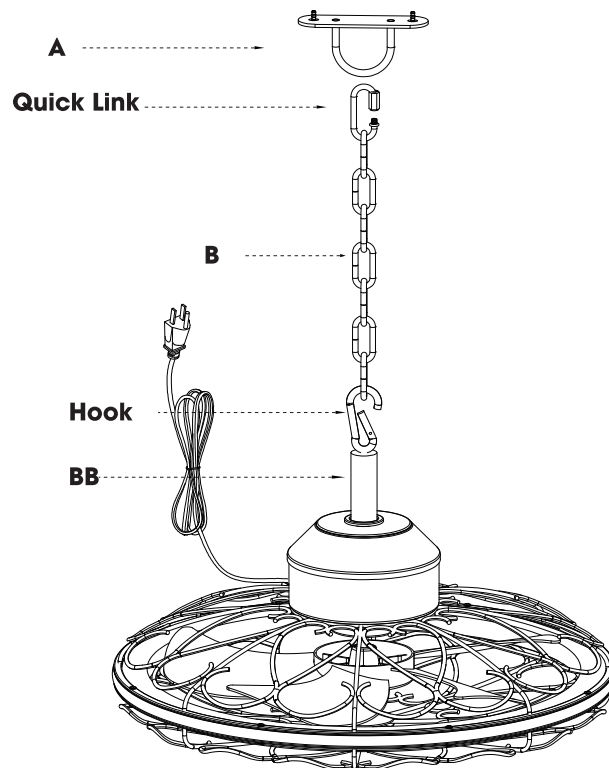
Step 1. Remove the set screw.

Step 2. Pass Short Hanging Rod (BB) through the Coupling Cover (EE), and then tighten it with Clevis Pin (II) and R Pin (JJ).



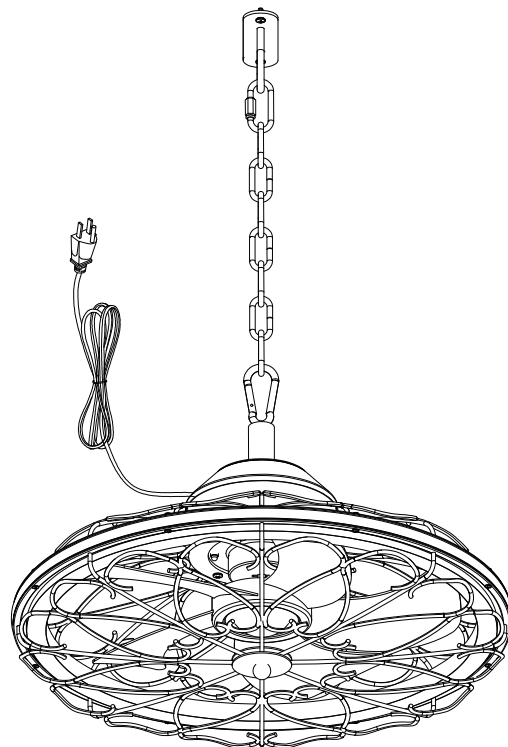
4. Install the Chain

Step 1. Attach the ends of Chain (B) in Mounting Bracket (A) and Short Hanging Rod (BB).



5. Light Fixture Display

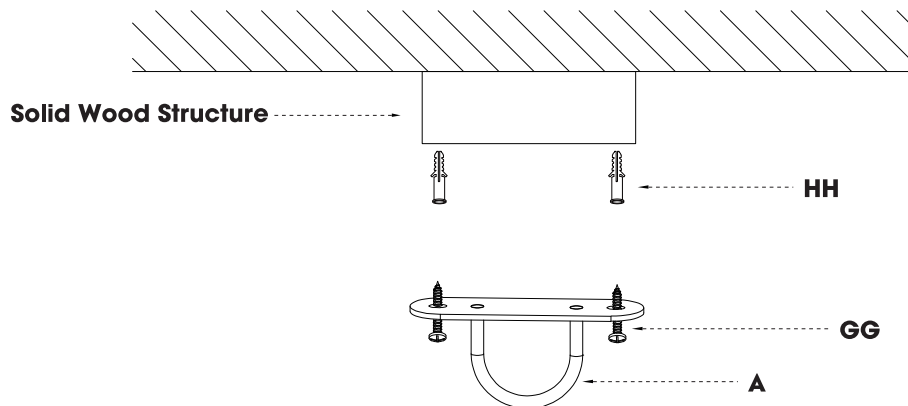
The fixture is as shown in the picture.



04 INSTALLATION (FOR HANGING ROD-MOUNT)

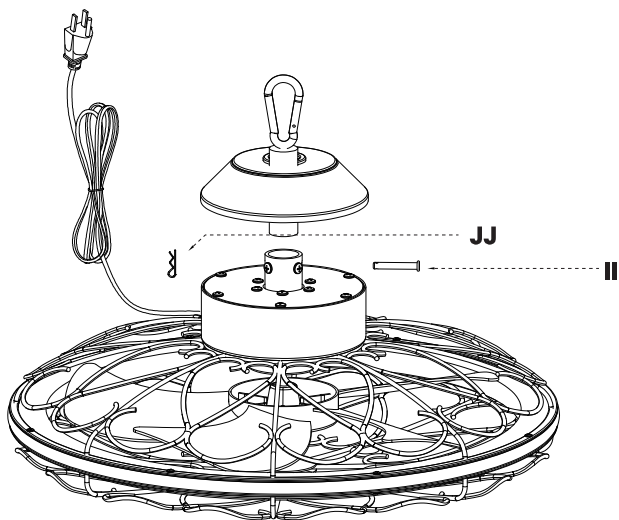
1. Install the Mounting Bracket

Step 1. Use Wood Screw (GG) and Plastic Anchor (HH) to fix the Mounting Bracket (A) on the solid wood structure.



2. Remove the Clevis Pin and R Pin

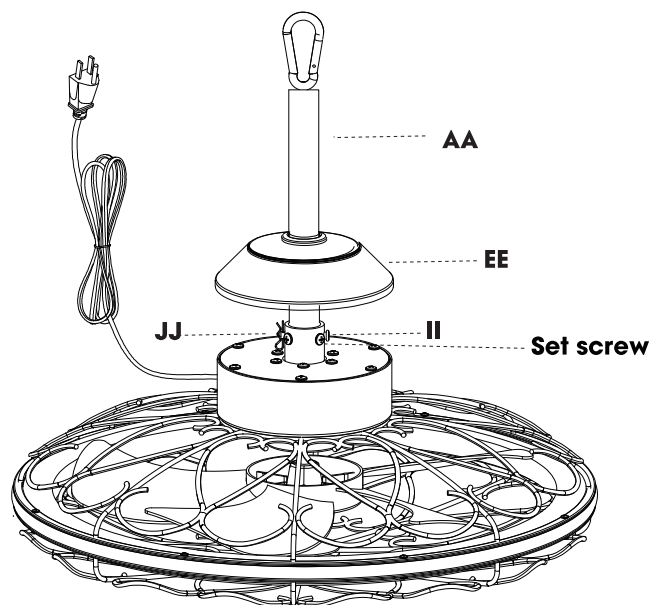
Step 1. Remove the Clevis Pin (II) and R Pin (JJ) from the lamp body.



3. Install the Long Hanging Rod

Step 1. Remove the set screw.

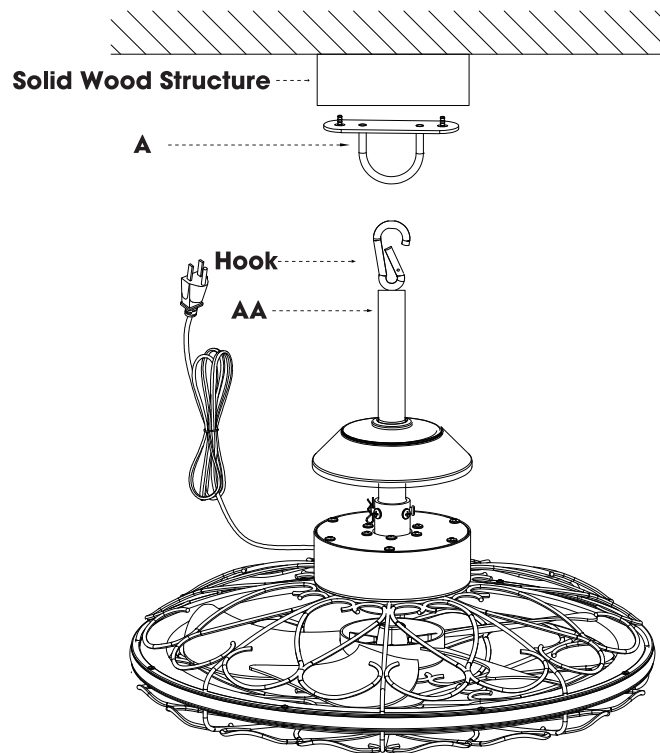
Step 2. Pass Long Hanging Rod (AA) through the Coupling Cover (EE), and then tighten it with Clevis Pin (II) and R Pin (JJ).



4. Fix the Mounting Bracket

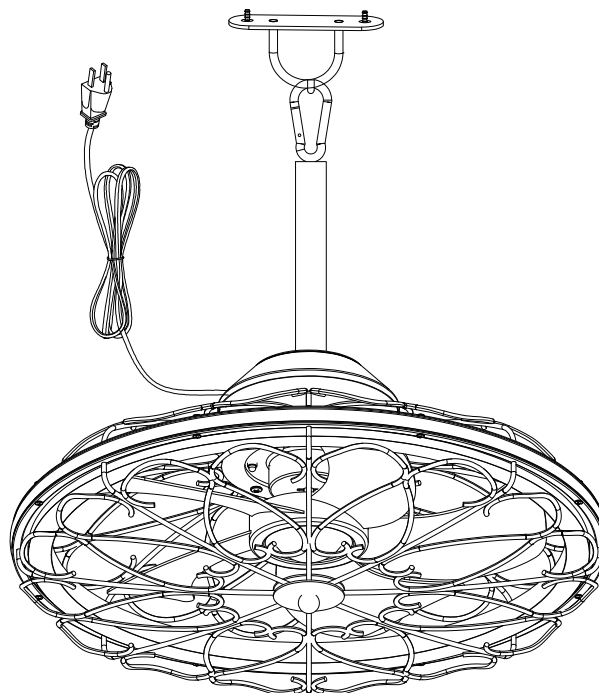
Step 1. Fix the hook on Long Hanging Rod (AA) to Mounting Bracket (A).

Step 2. The installation is complete, as shown in the figure.



5. Light Fixture Display

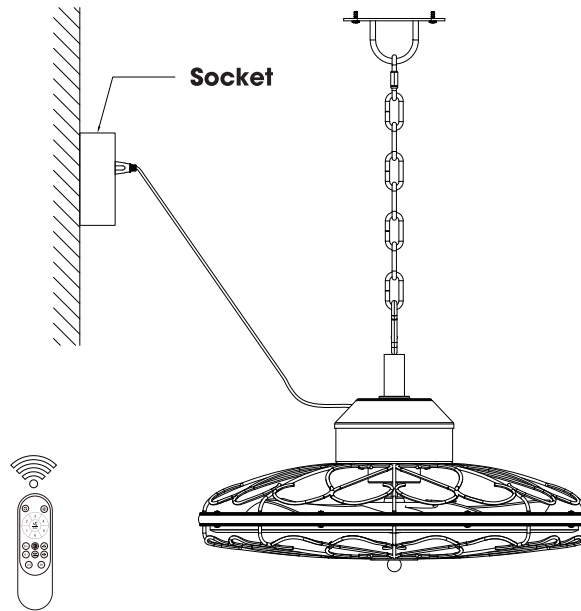
The fixture is as shown in the picture.



05

POWER ON AND USE

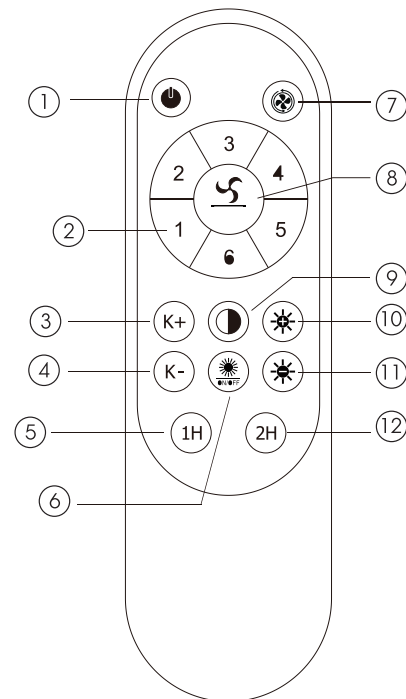
The light uses On/Off switch.



06

REMOTE CONTROL INSTRUCTIONS

- ① : Turn off fan and light.
- ② : Turn on the fan on Speed 1/2/3/4/5/6.
- ③ ④ : Adjust the light color temperature.
- ⑤ ⑫ : 1H/2H for timing the fan.
- ⑥ : Turn on/off the light.
- ⑦ : Fan moves forwards or reversely.
- ⑧ : Turn off the fan.
- ⑨ : Quick switch of the light color: warm white->cool white->daylight white.
- ⑩ ⑪ : Adjust the brightness of the light.



REMOTE SIGNAL PAIRING:

If the remote control loses signal of the fan, press and hold the button ⑨ at the very beginning after it's turned on from wall switch. After the light flashes or fan beeps, it's done.

