

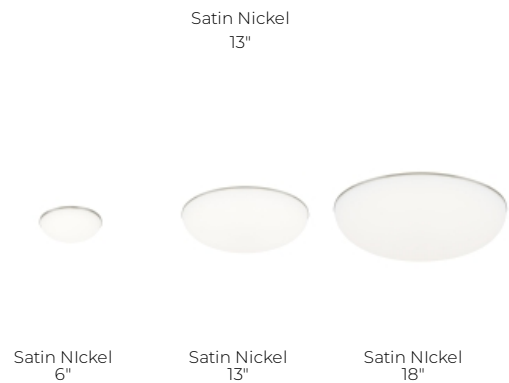
## PRODUCT FEATURES

- Sleek minimalist design perfect for contemporary to modern ceiling light applications
- Offered in three diameters for highly flexible use in residential or commercial settings
- Choice of warm 2700K or cooler 3000K LED color temperature for tailored light output
- High 90 CRI for highly accurate color reproduction and improved quality of light
- High quality integrated LED lamping with glare-free, optic-grade acrylic light diffusion
- Protected by a 5-year warranty



## LAMPING

6in diameter includes 12 watt, 631 delivered lumen, 2700K or 3000K LED module. 13in diameter includes 42 watt, 2004 delivered lumen, 2700K or 3000K LED module.



## ORDERING INFORMATION

700FMMGN LENGTH (A)	FINISH	LAMP
6 6"	S SATIN NICKEL	-LED927 LED 90 CRI 2700K 120V
13 13"		-LED927-277 LED 90 CRI 2700K 277V
		-LED930 LED 90 CRI 3000K 120V
		-LED930-277 LED 90 CRI 3000K 277V

700FMMGN \_\_\_\_\_

JOB NAME \_\_\_\_\_

NOTES \_\_\_\_\_

\_\_\_\_\_

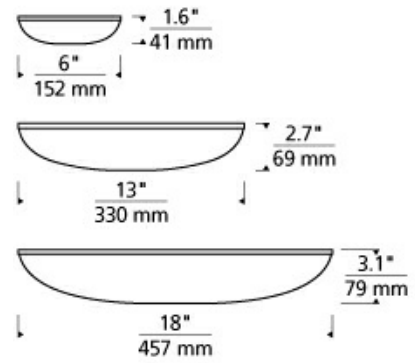
\_\_\_\_\_



# MEGAN CEILING

## SPECIFICATIONS

HARDWARE MATERIAL	Metal
SHADE MATERIAL	Acrylic
NET WEIGHT	3.5 lbs
HEIGHT	2.7in
WIDTH	13in
LENGTH	13in
UP LIGHT / DOWN LIGHT / BOTH?	
WET LISTED	
DAMP LISTED	Yes
DRY LISTED	
WALL / CEILING MOUNT	
GENERAL LISTING	ETL Listed
INCLUDES	



## LAMPING SPECIFICATIONS

	LED LAMP	INTEGRATED LED	NON LED	NO LAMP
DELIVERED LUMENS		2004 631		
WATTS		42 12		
MAX WATTAGE PER BULB		42W		
INPUT VOLTAGE		120V 277V		
DIMMING TYPE*		ELV		
CCT		2700K 3000K		
CRI		90 CRI		
LED LIFETIME				
L70		>50000		
AVERAGE BULB HOURS				
FIELD SERVICEABLE LED				
LAMP BASE		Integrated LED		
LAMP SHAPE		Integrated LED		
LAMP INCLUDED?		Y		
WARRANTY**		5 Years		

\* Dimming information available at [www.techlighting.com/Downloads#dimming](http://www.techlighting.com/Downloads#dimming)

\*\* Visit [techlighting.com](http://techlighting.com) for specific warranty limitations and details.

## T20 / T24 INFORMATION

	Integrated LED	Replacement LED Lamp	No Lamp *
This product can be used to comply with California Building Energy Efficiency Standards 2016 <b>Title 24</b> Part 6.	No		
This product can be used to comply with California Appliance Efficiency Standards 2016 <b>Title 20</b> and may be shipped to and sold in California.	N/A		

\* If a light fixture or component does not include a lamp or light source, it is the responsibility of the customer to select a lamp that meets the T24 and T20 requirements.

