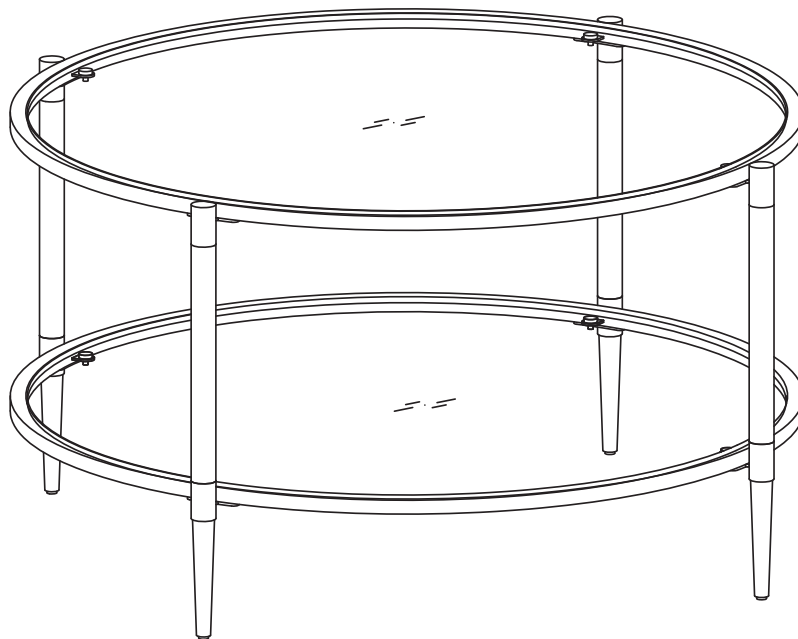


ACRYLIC AND GLASS COFFEE TABLE







THANK YOU FOR YOUR ORDER!
ENCLOSED PLEASE FIND A POLISHING CLOTH FOR YOUR USE TO CLEAN THE RESIDUE
FROM THE FINE OIL USED IN PRODUCTION OF THIS CHROME PRODUCT.
PLEASE ALSO CALL US IF YOU HAVE ANY QUESTIONS.

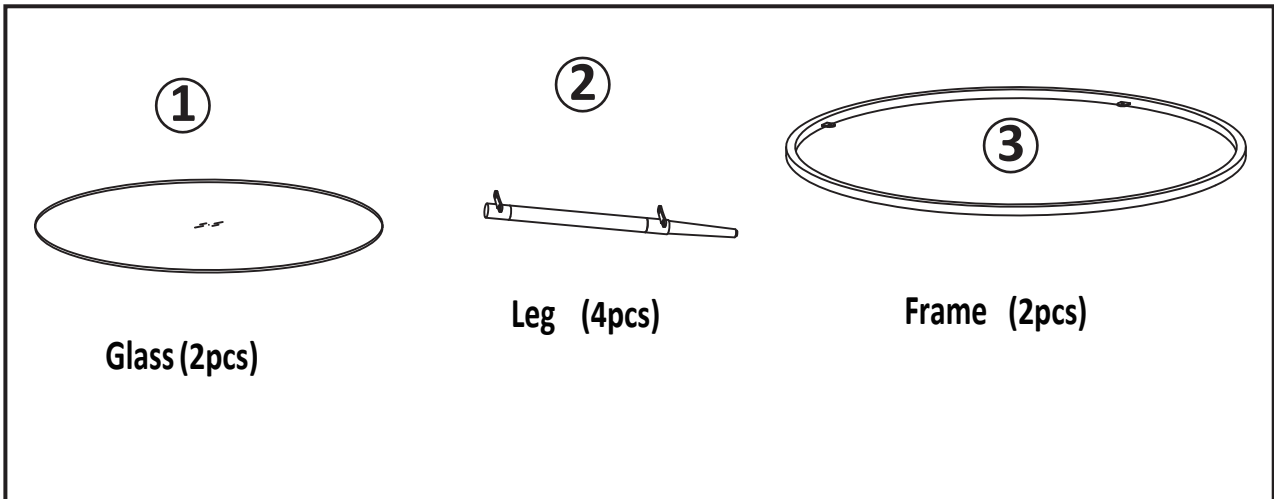
ASSEMBLY INSTRUCTIONS

We have designed our furniture with you , the customer in mind . Our clear , easy to follow ,
step by step instructions will guide you through the project from start to finish .
Feel confident that this will be a fun and rewarding project . The final product will be a quality
piece of furniture that will go together smoothly and give years of enjoyment .

Hardware List

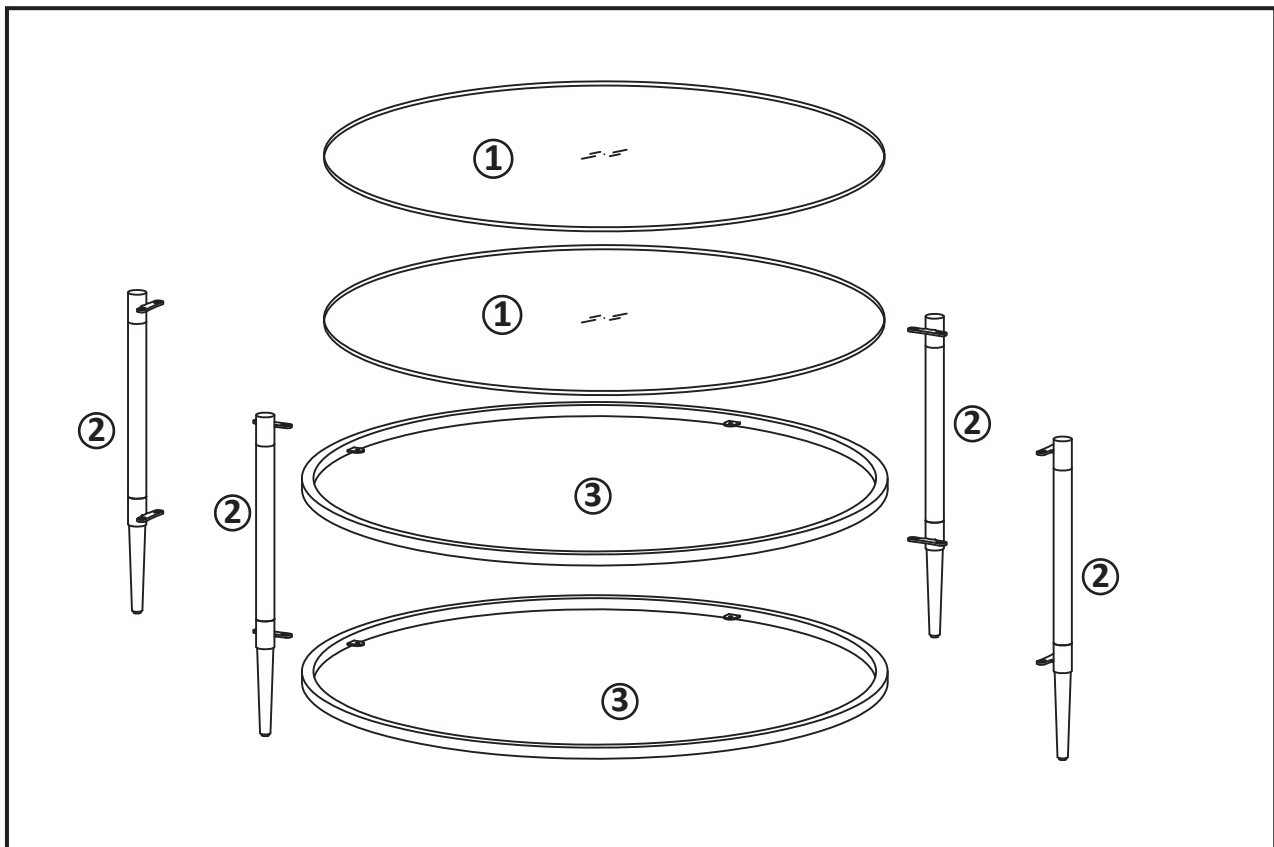
A 	B 	C 	D 
Bolt (16pcs)	Allen Wrench (1pc)	Non-slip disk (8pcs)	Polishing cloth (1pc)

Panel List



Please count and verify all parts before assembly.

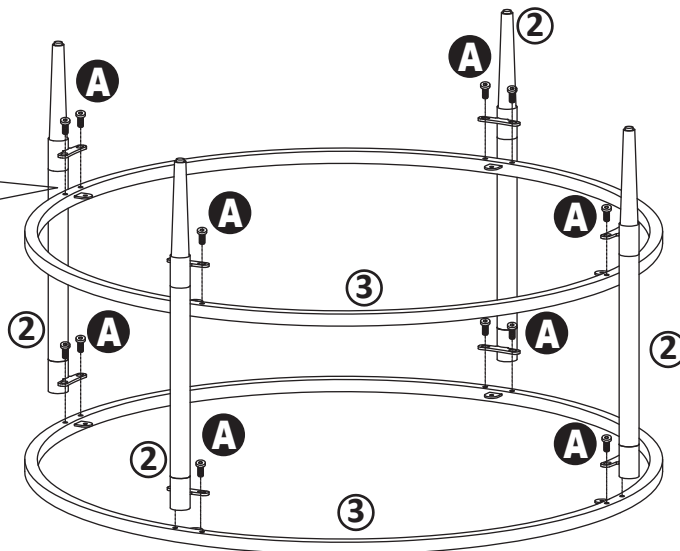
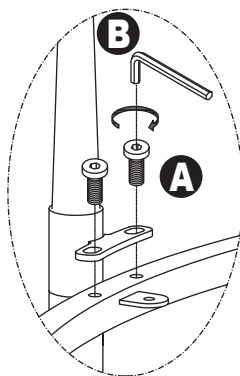
Exploded View



Step 1

*Assemble unit on carpet or another soft surface.

1. Secure legs (2) to frames (3) together as shown using bolt (A) and allen wrench (B).



A



x16

B



x1

Do not fully tighten Bolts (A) until all have been started.

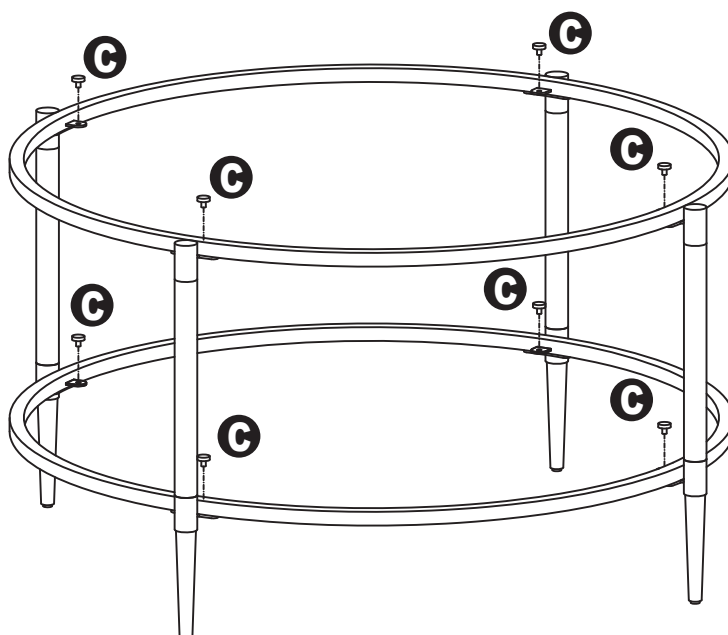
Step 2

1. Place non-slip disks (C) into assembly as shown to support glass shelf.

C

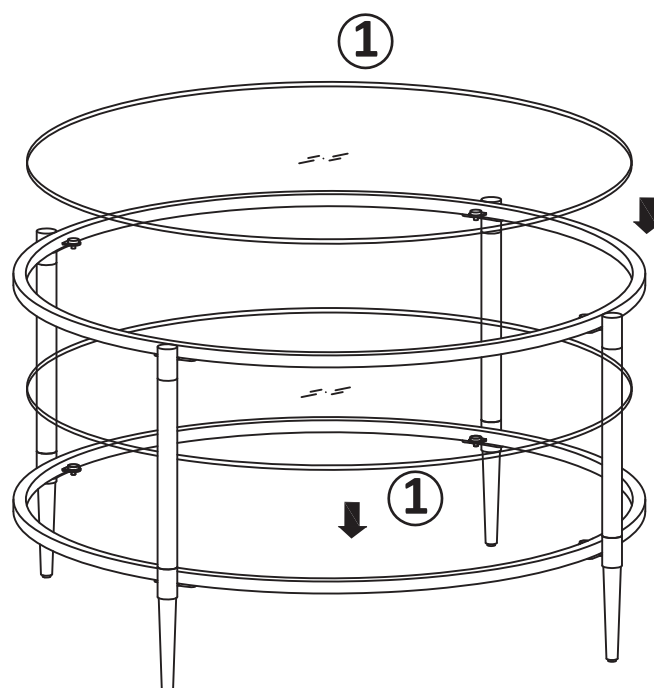


x 8



Step 3

1. Retighten all bolts.
2. Using a slight angle, carefully insert glass (1) into unit.



Step 4

1. Enjoy !

