

Dear Customer,

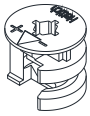
The product you bought was subjected to all sorts of tests and control before sending out to you. Even in this situation, sometimes happen that some component is damaged during the transportation. In such case please do not send the whole article back to us. Just request/order the damaged part. While requesting the required part, describe it exactly by looking to service card. Missing part will be sent to you as soon as possible. Before start assembling, please check the whole components and accessories according to the lists. After being sure that every part and accessory are okay and right, start assembling. Before start assembling, please clean all the components with a damp cloth. If you bought more than one product, to prevent confusion be sure that you completed the first product. Then start the other product's assembling. Never draw the products. While carrying, disassociate and lift the product and carry with minimum 2 people. For long distances carry the product with the package.

It is very easy to clean the surfaces of your product. It is enough to wipe with a damp and soapy cloth or other household cleaners. Do not directly contact your furniture with excessive heat, cold and humidity because the product can be affected.

ATTENTION!!

Minifix is the main connection material used in products.
Before starting assembly, please check the drawings below...

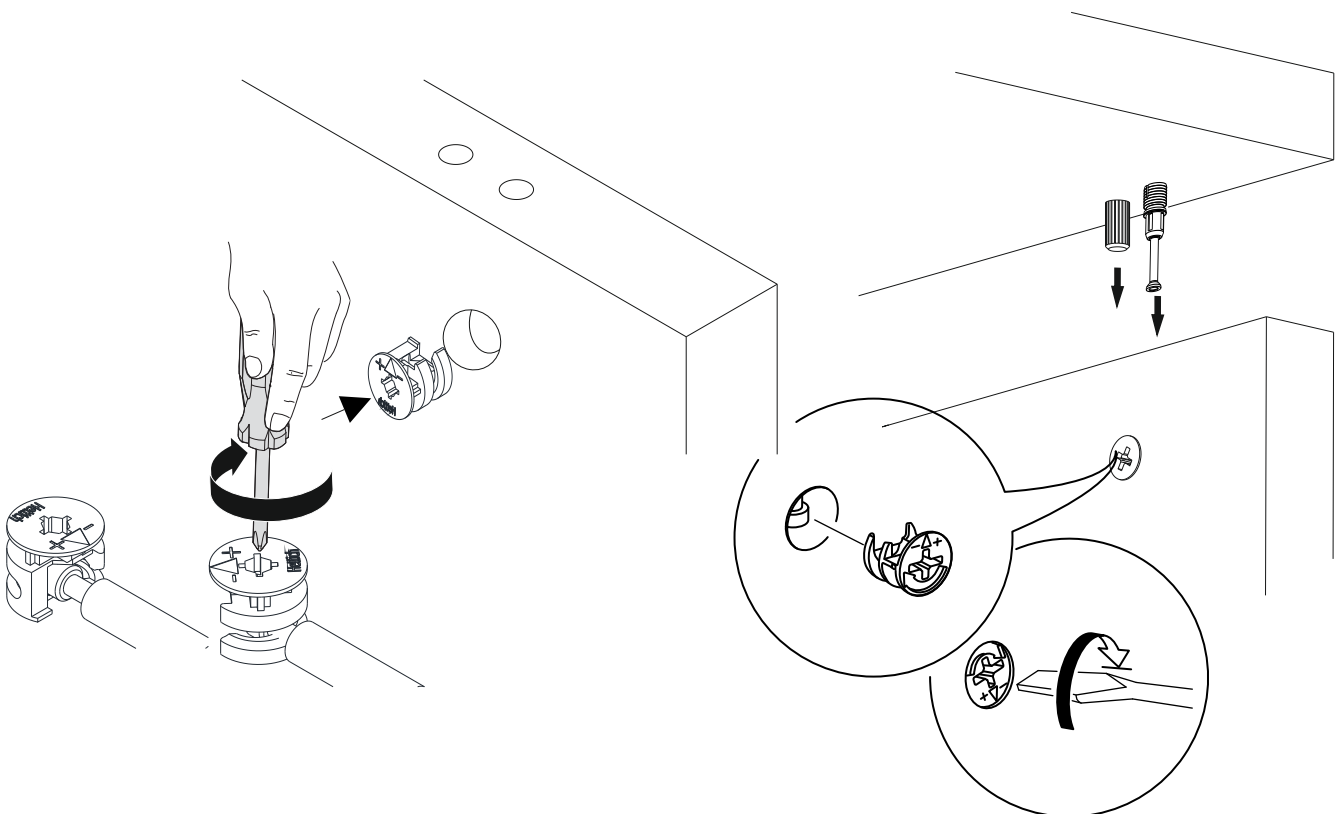
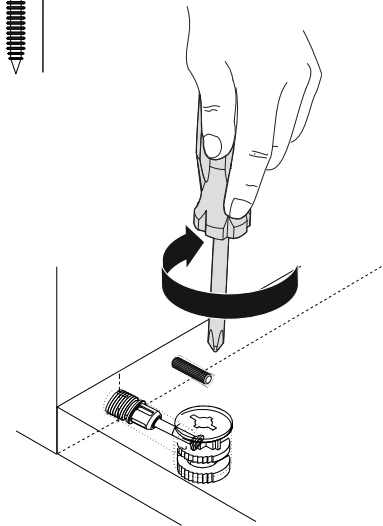
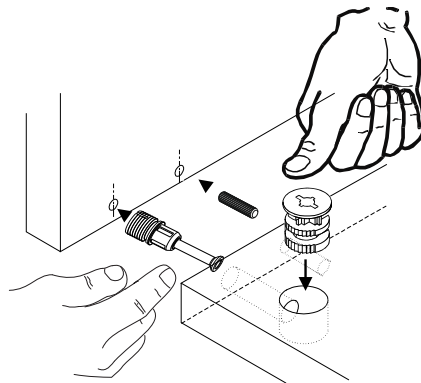
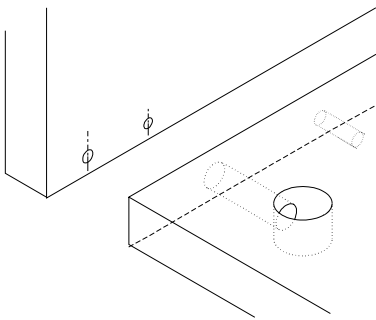
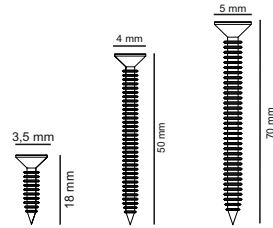
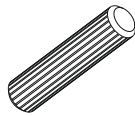
Minifix Körper
Minifix Gövde

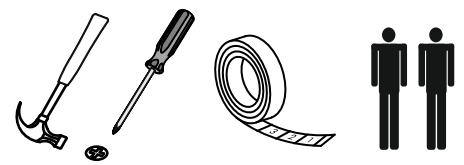


Minifix
Minifix Mil



Dübel
Kavala



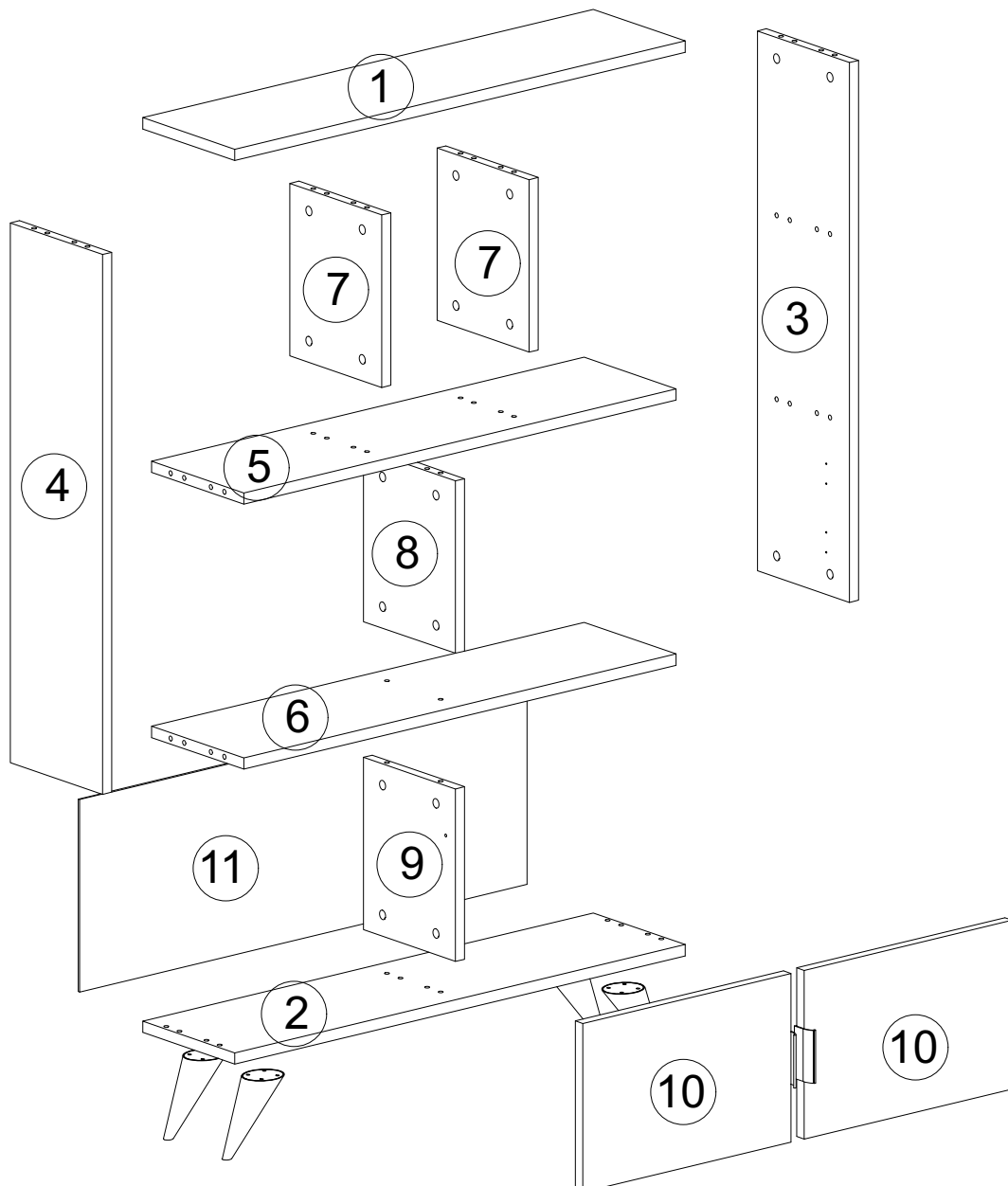


ACCESSORY LIST

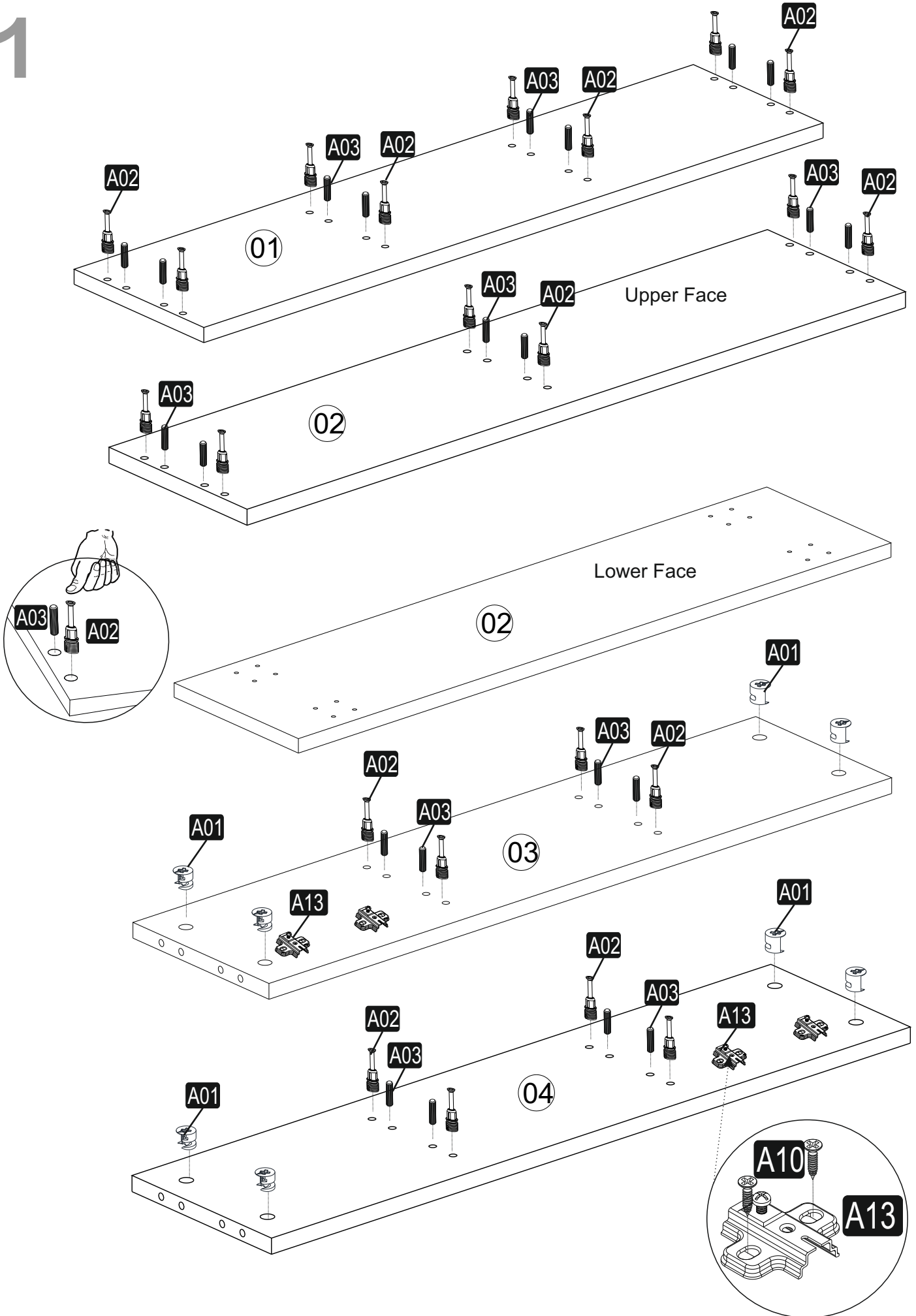
The necessary tools (not included)

A01 32x	A02 28x	A03 28x	A10 3,5x18 41x	A23 2x
A11 4x	A13 4x	A06 2x	A28 16x	C09 15 cm 4x
A04 A 32x	E53 (CROME) 2x	E17 1x	D69 1x	D41 5x70 YHB 1x

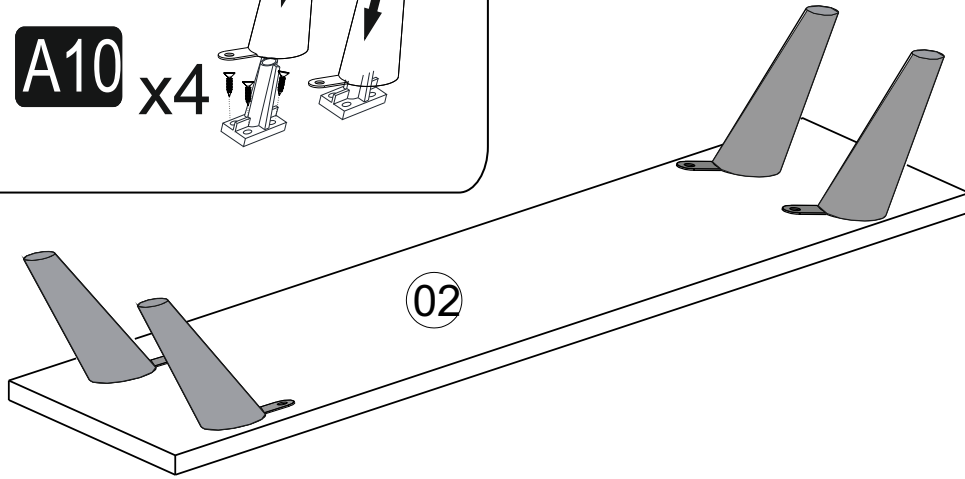
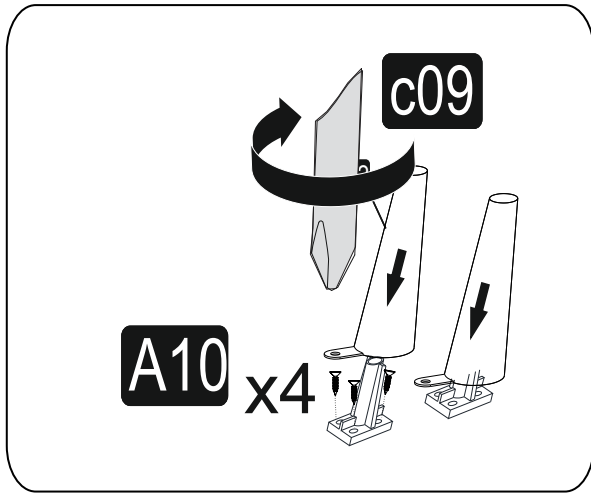
GENERAL VIEW



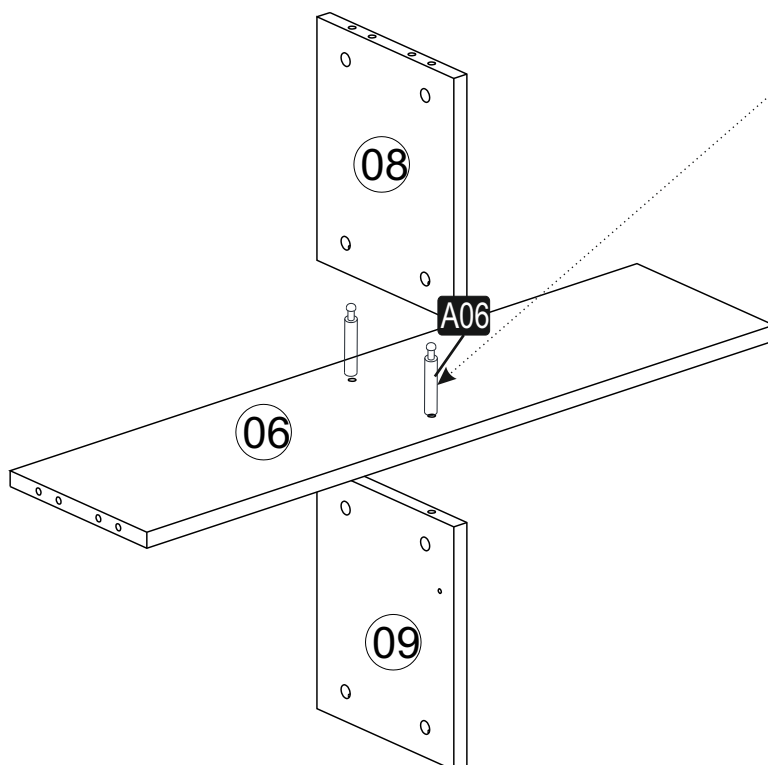
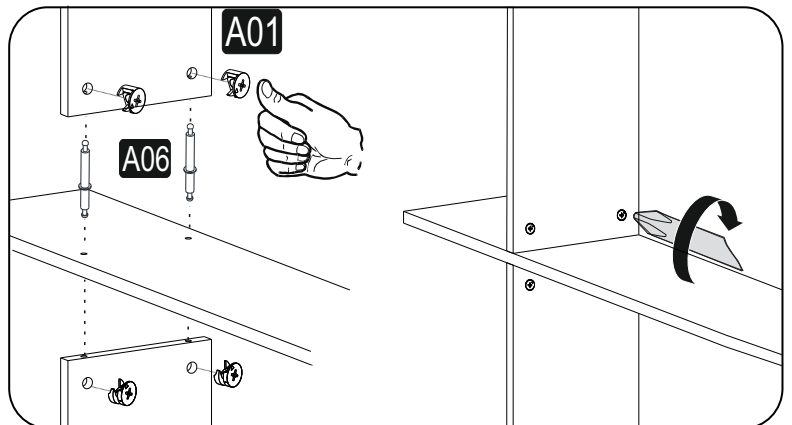
1



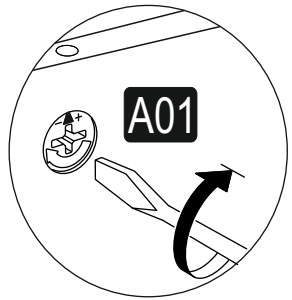
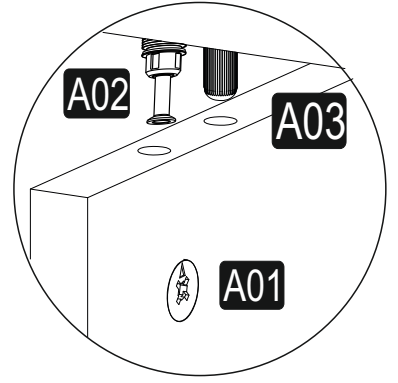
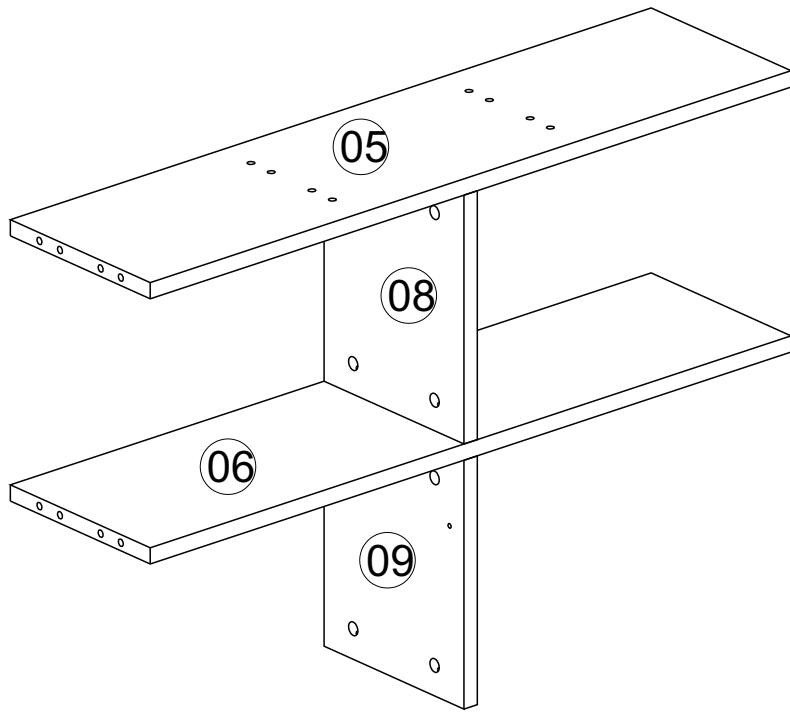
3



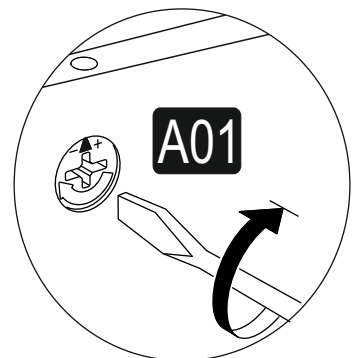
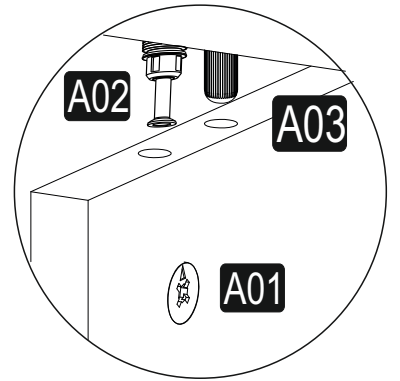
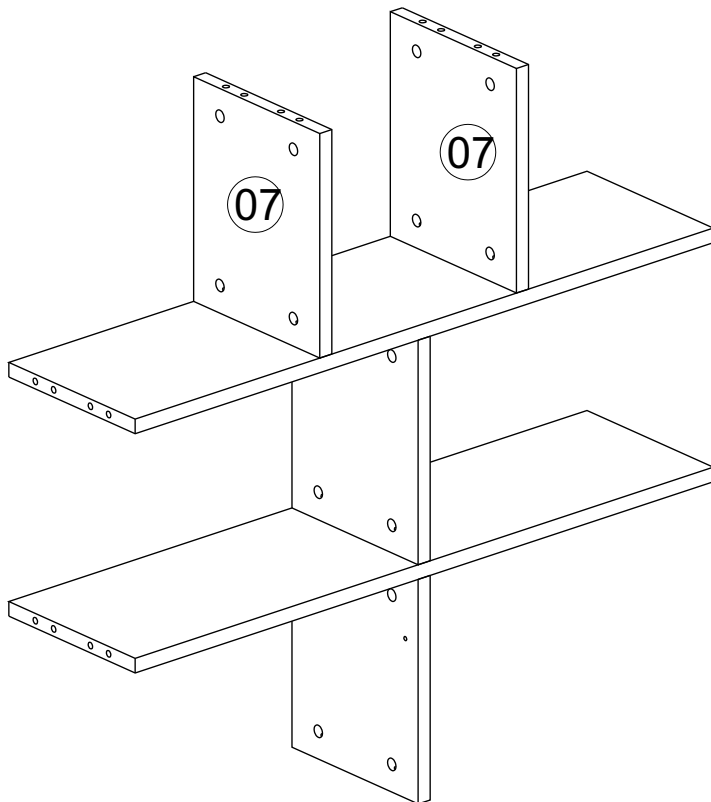
4



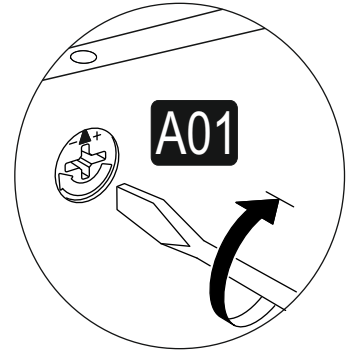
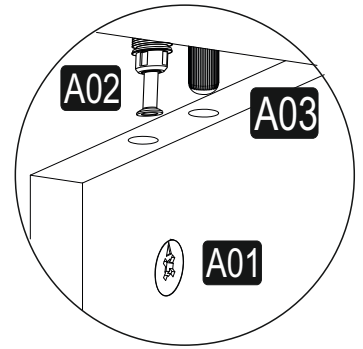
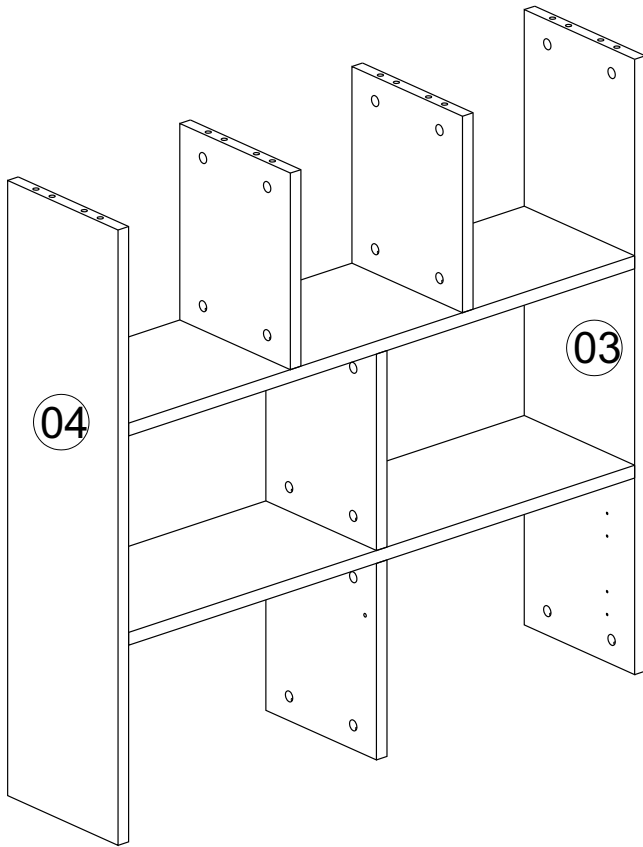
5



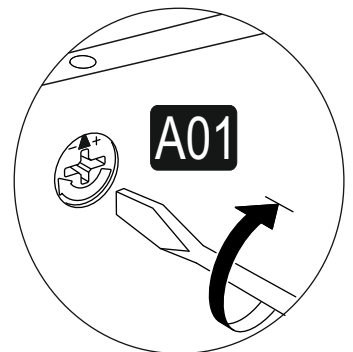
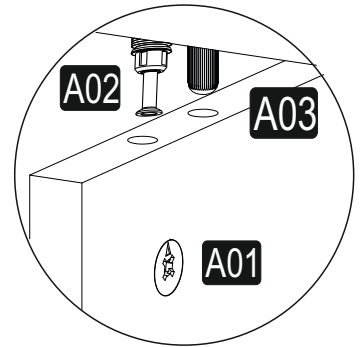
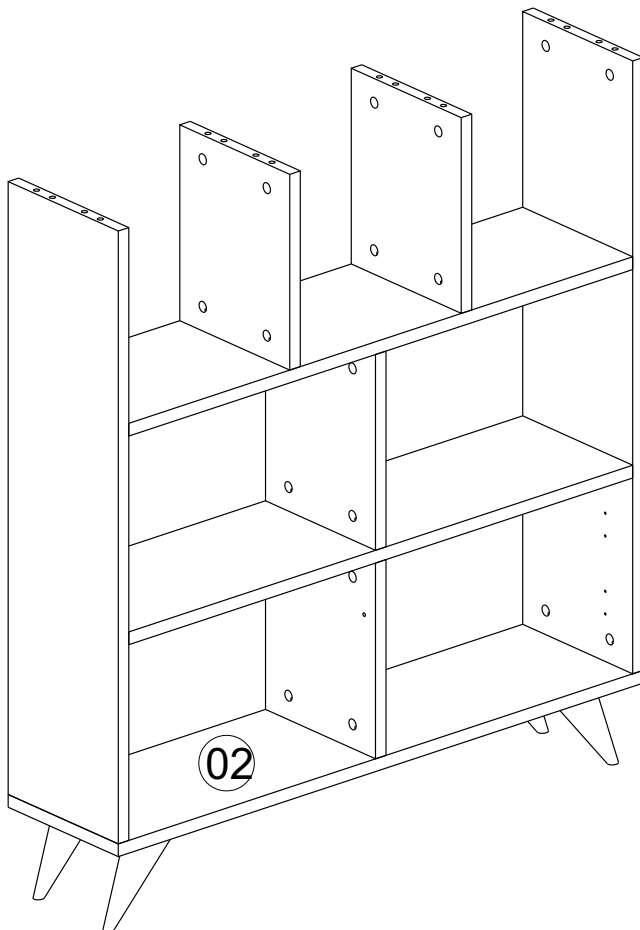
6



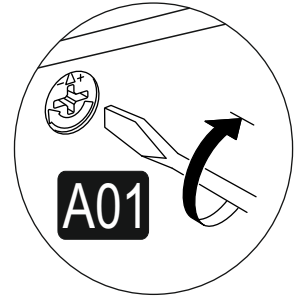
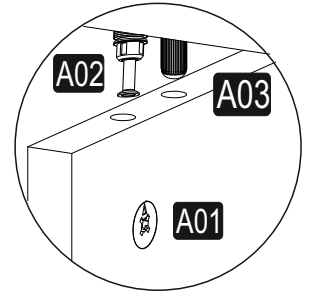
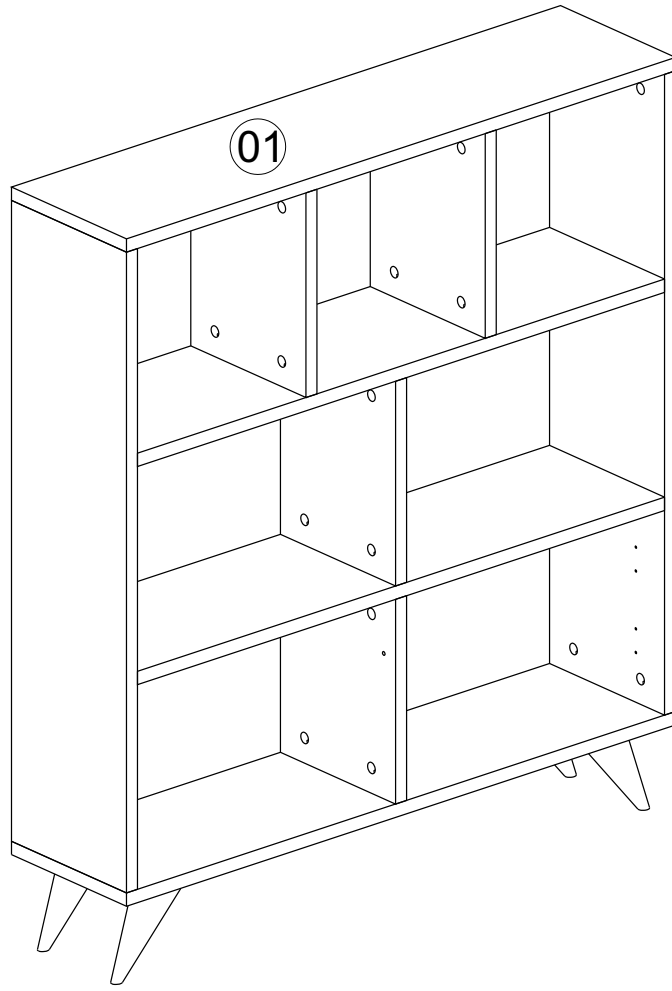
7



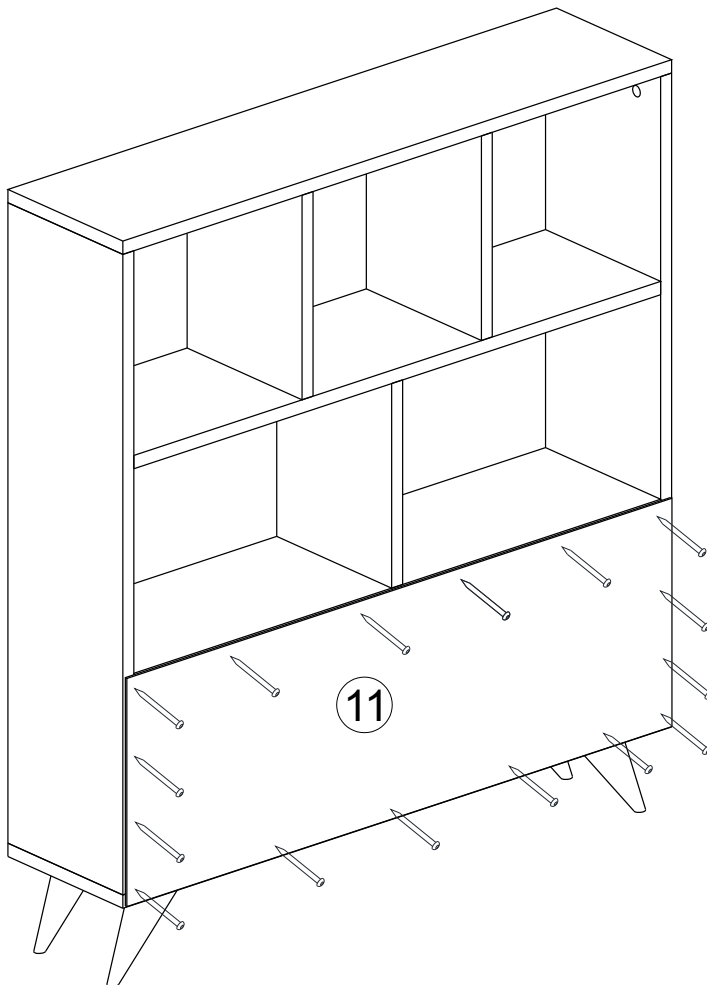
8

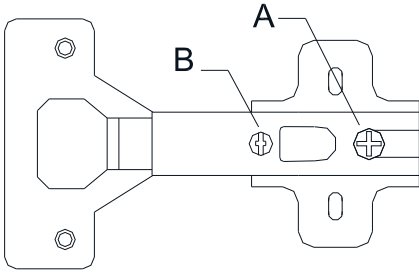
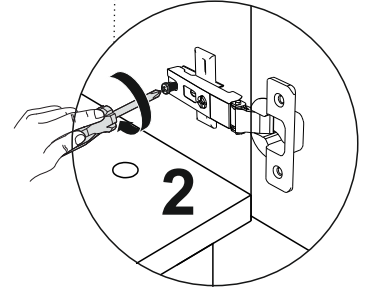
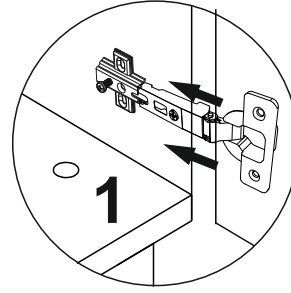
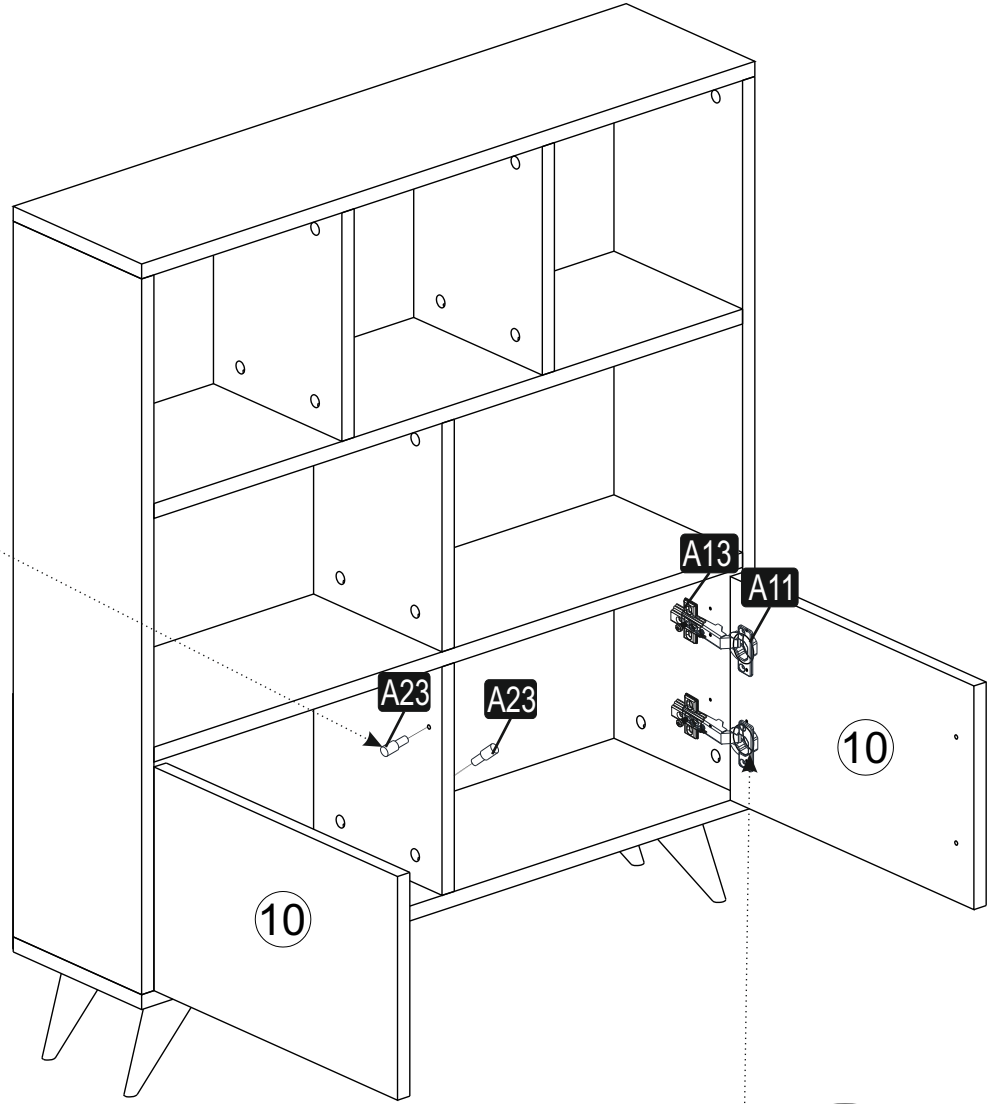
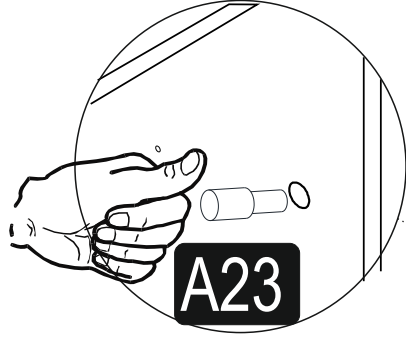


9

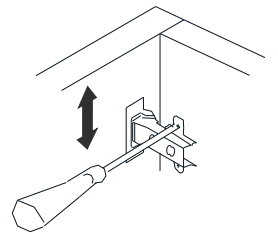
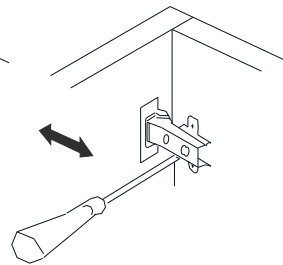
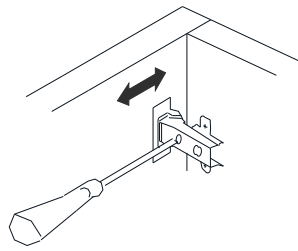


10



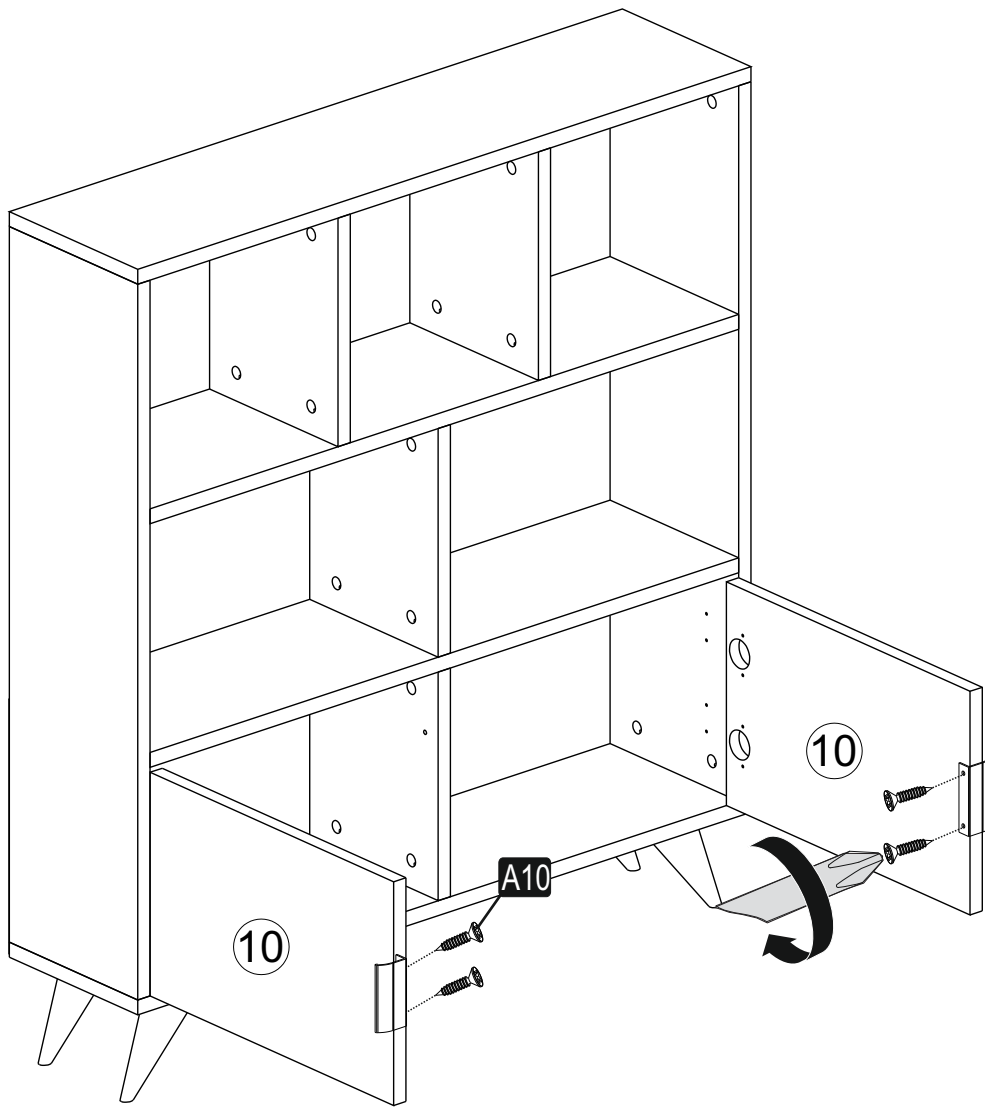


A= menteşe bağlama vidası / to connect the hinge to the door
B= kapak ayar vidası / to arrange the door

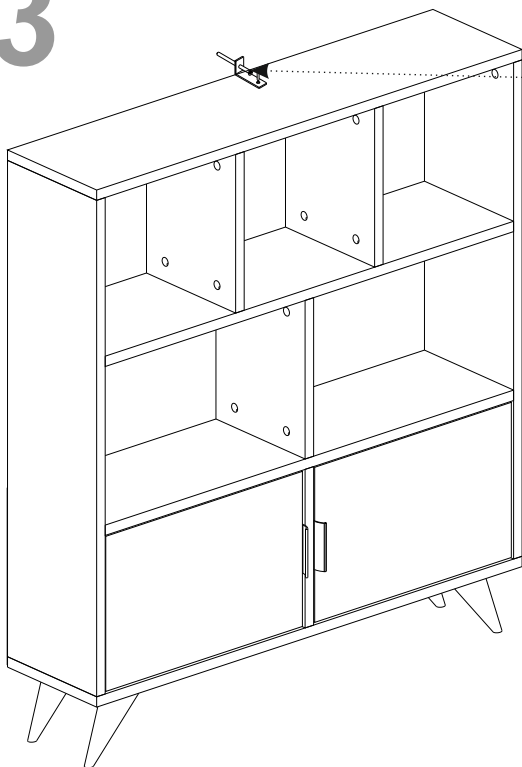


oklar kapağın ayarlama yönünü gösterir.
arrows to show the directions for arrangement of doors.

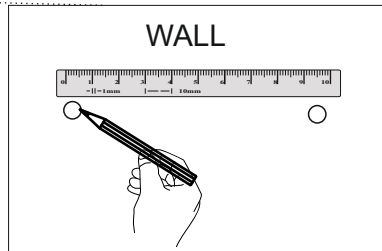
12



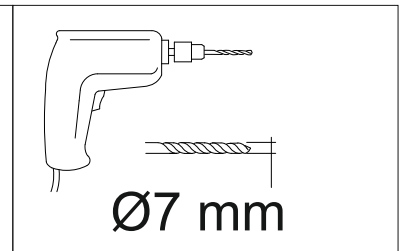
13



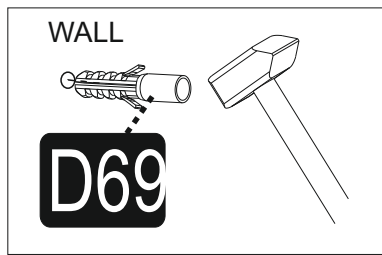
PART-1



PART-2



PART-3



PART-4

