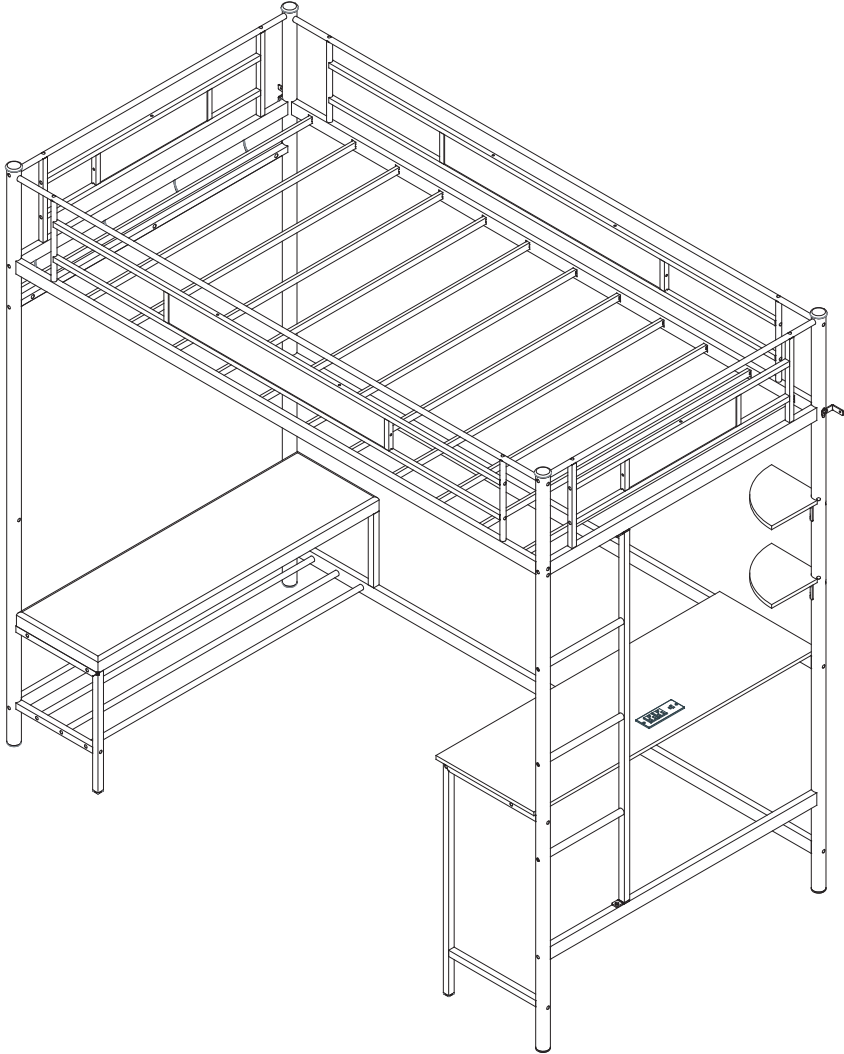
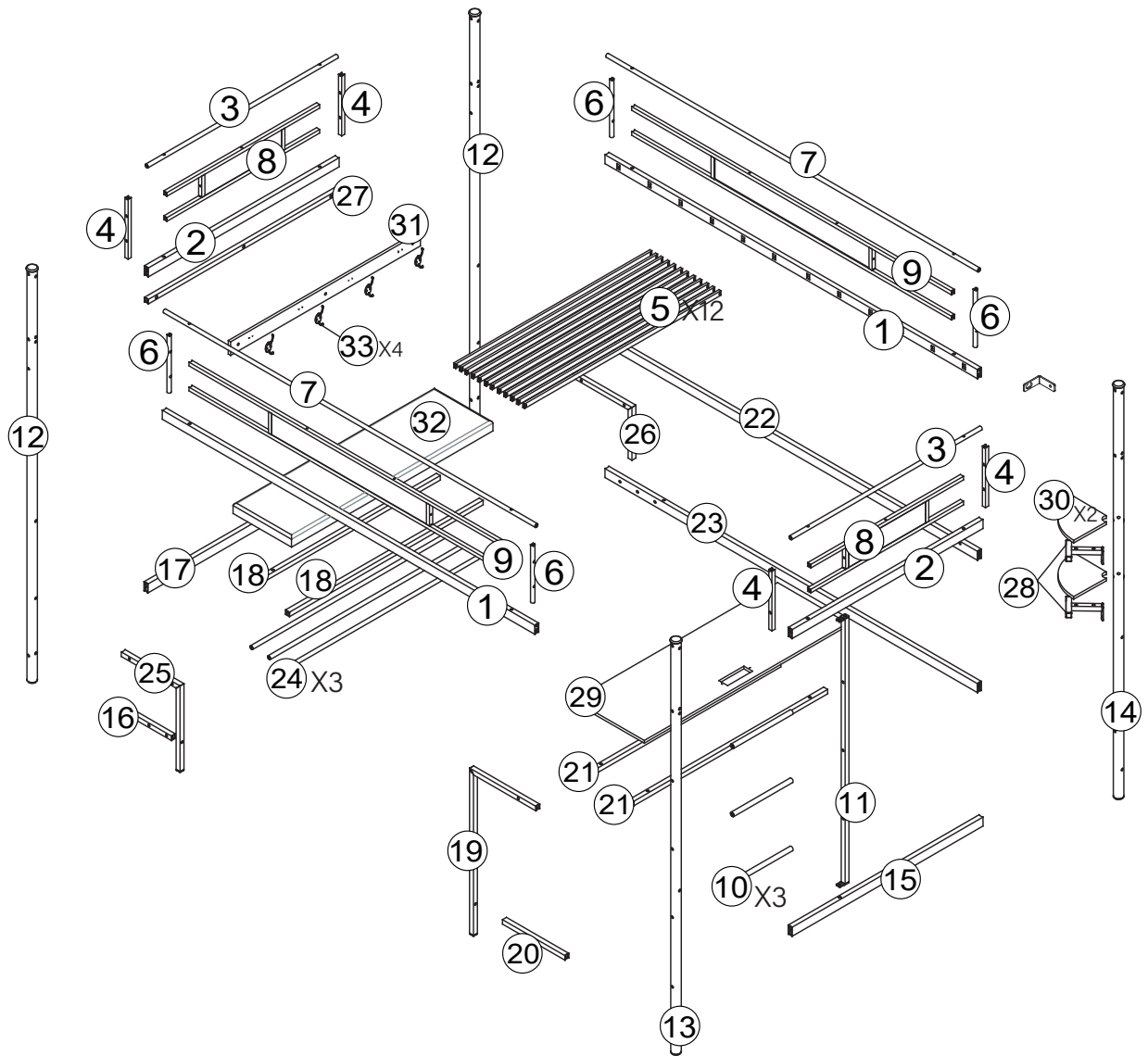


BED FRAME



Thank you for choosing our products, please assemble and use it following the instructions.

Assembly Instruction

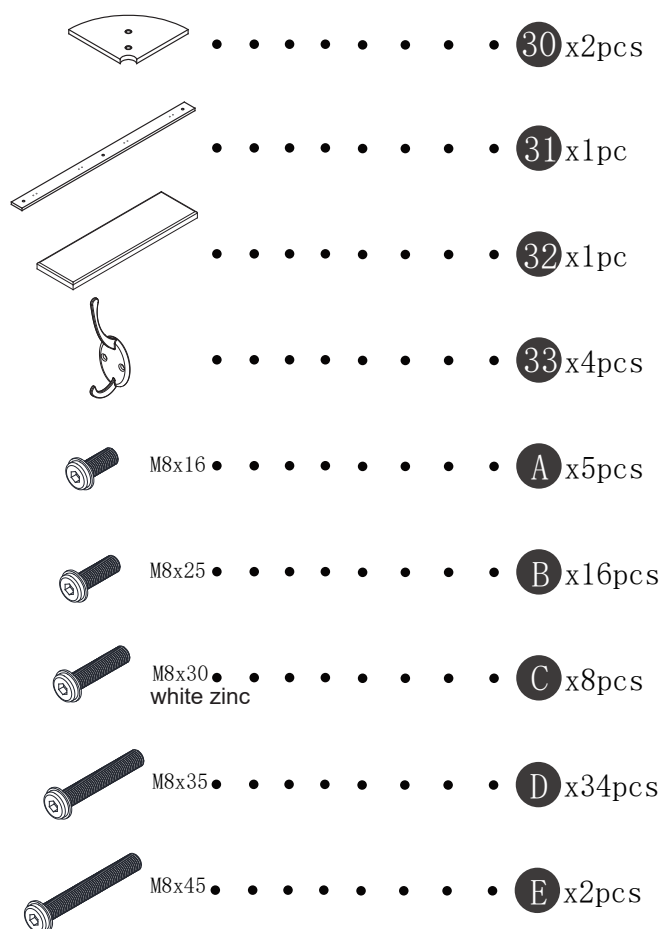
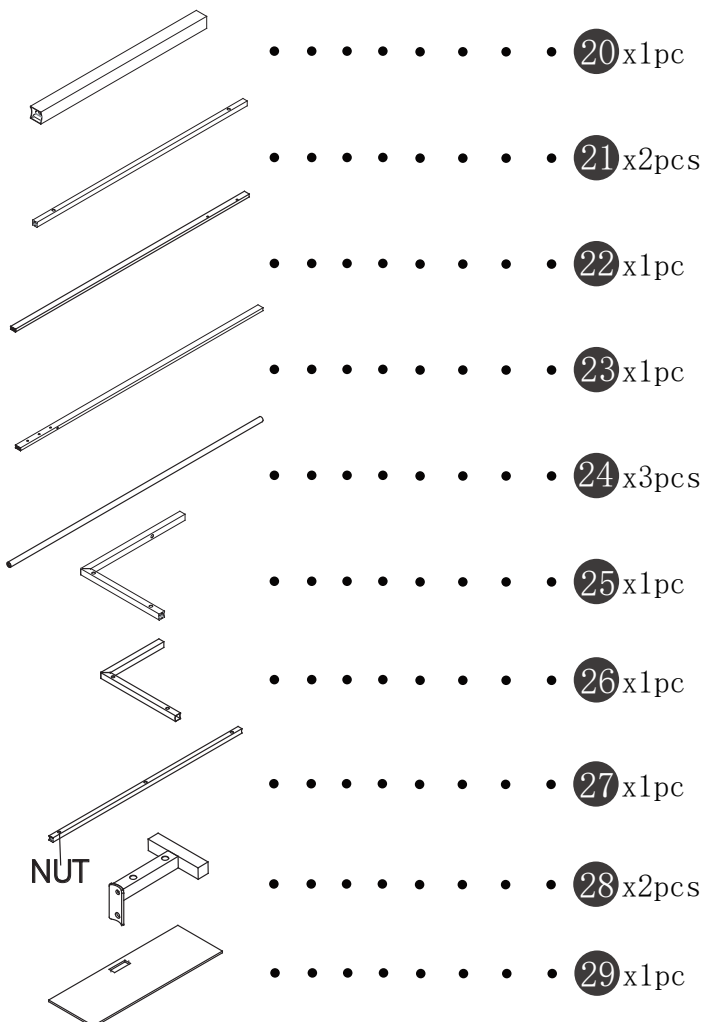
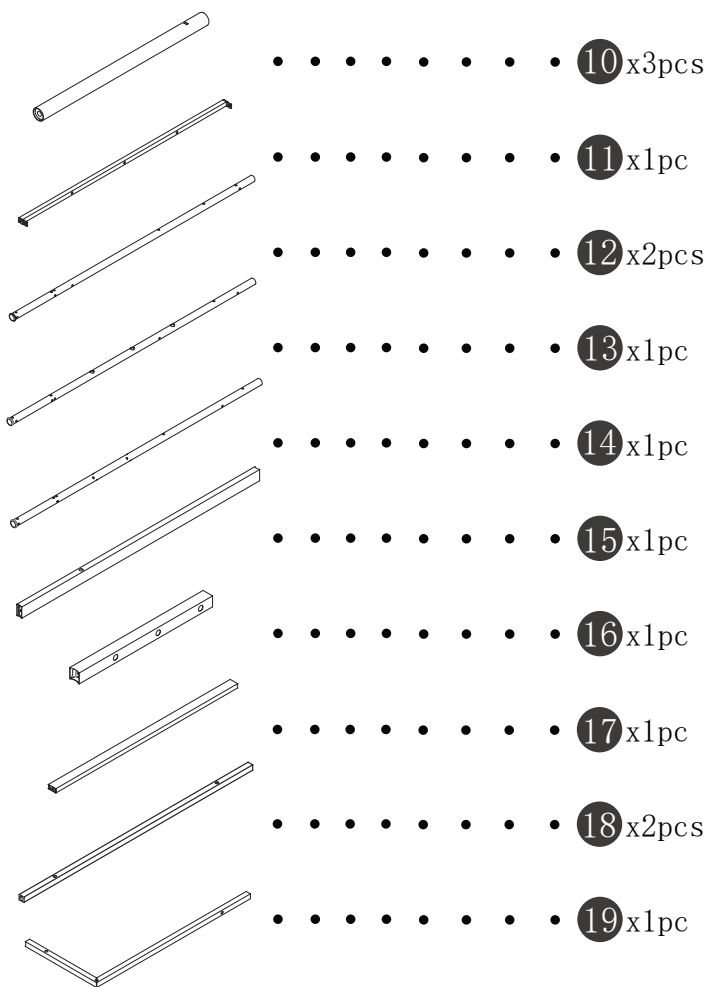
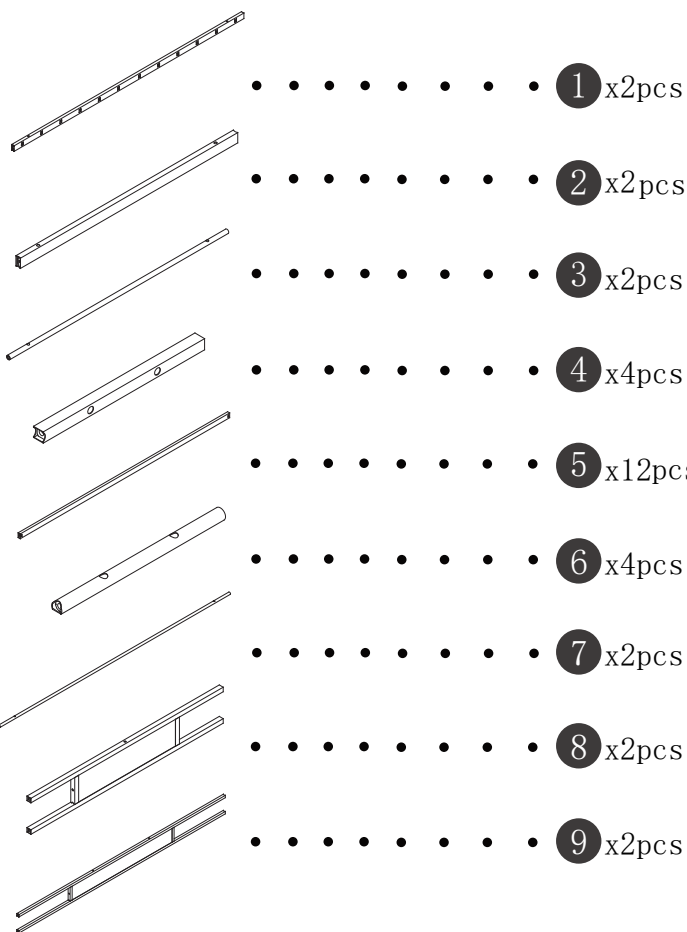


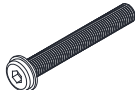


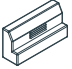
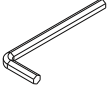
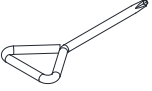
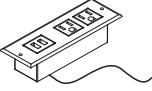
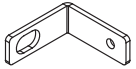
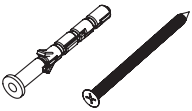
Important Note

HARDWARE NOTE :

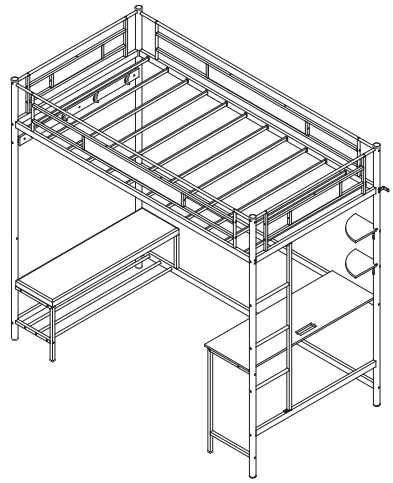
1. Two or more people are required for assembly
2. Do not screw on the bolts too tight unless the installation is done. Make sure all bolts are tightly screwed before you use it.

Components

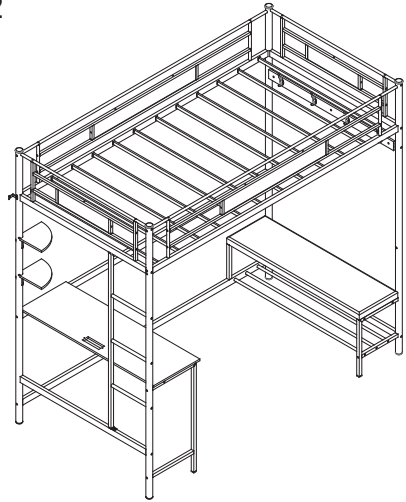


-  M8x55 • • • • • • • • • • **F** x44pcs
-  ST3x16 • • • • • • • • • • **G** x8pcs
-  ST4x14 • • • • • • • • • • **H** x2pcs
-  • • • • • • • • • • **I** x24pcs
-  M8 • • • • • • • • • • **J** x1pc
-  • • • • • • • • • • **K** x1pc
-  • • • • • • • • • • **U** x1pc
-  • • • • • • • • • • **Y** x2pcs
-  • • • • • • • • • • **Z** x2pcs

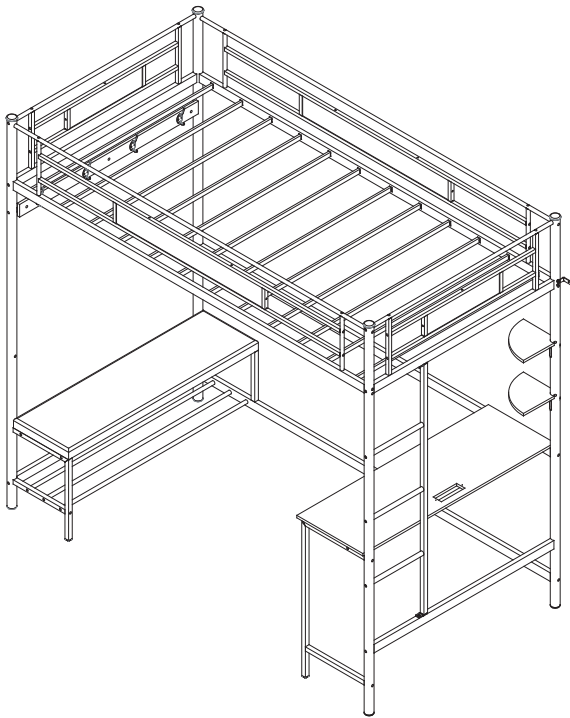
TYPE 1



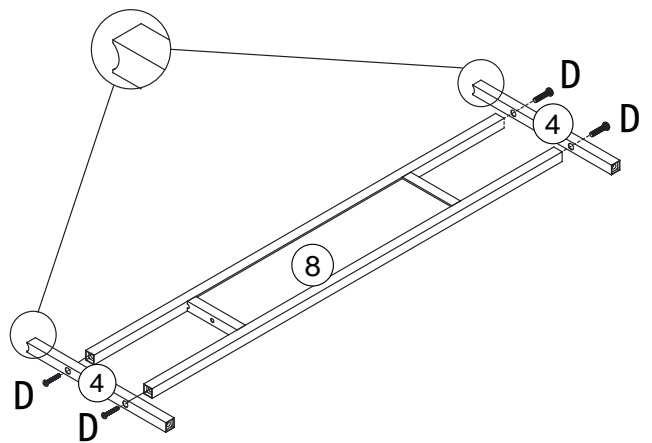
TYPE 2



TYPE 1

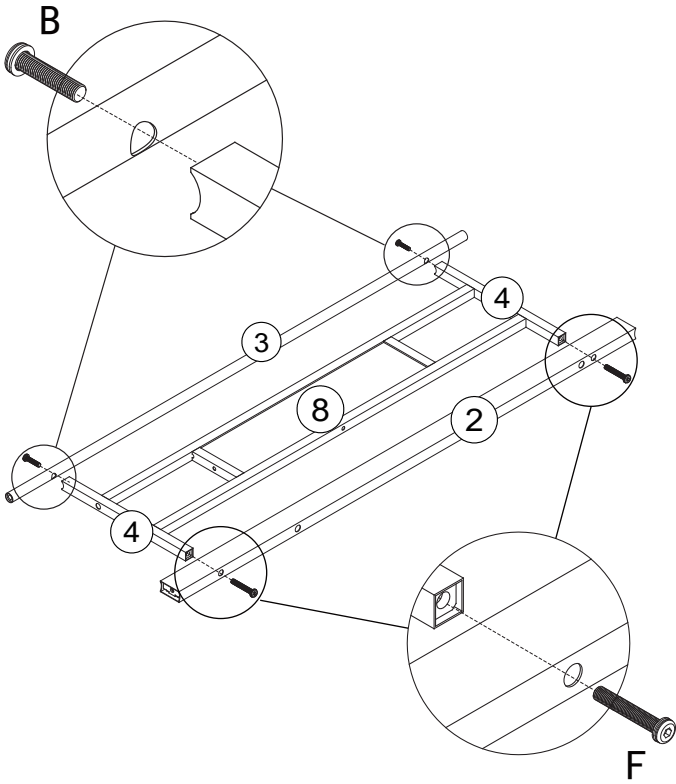


x2 **1**



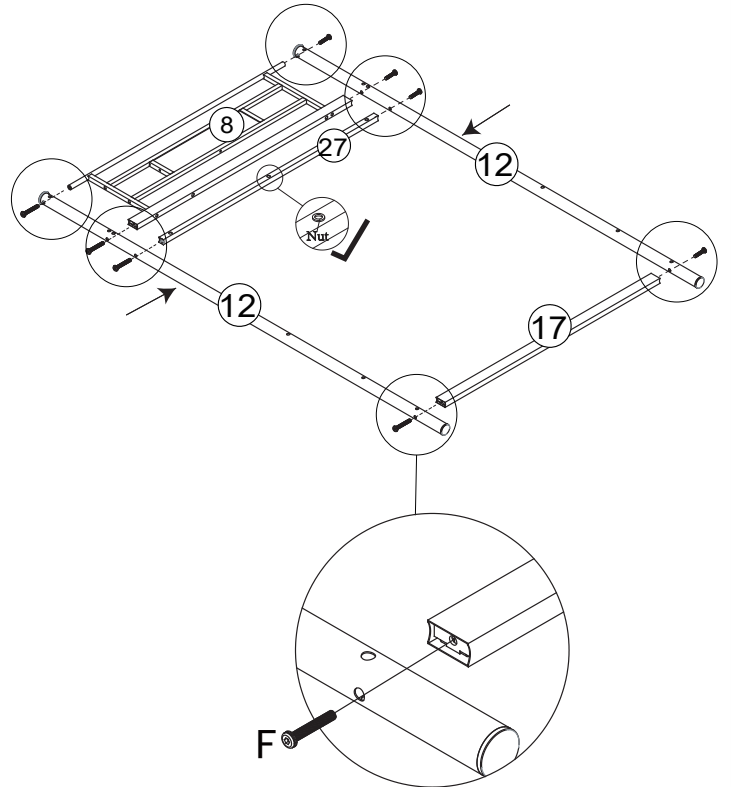
D		8pcs
	M8x35	

x2 2



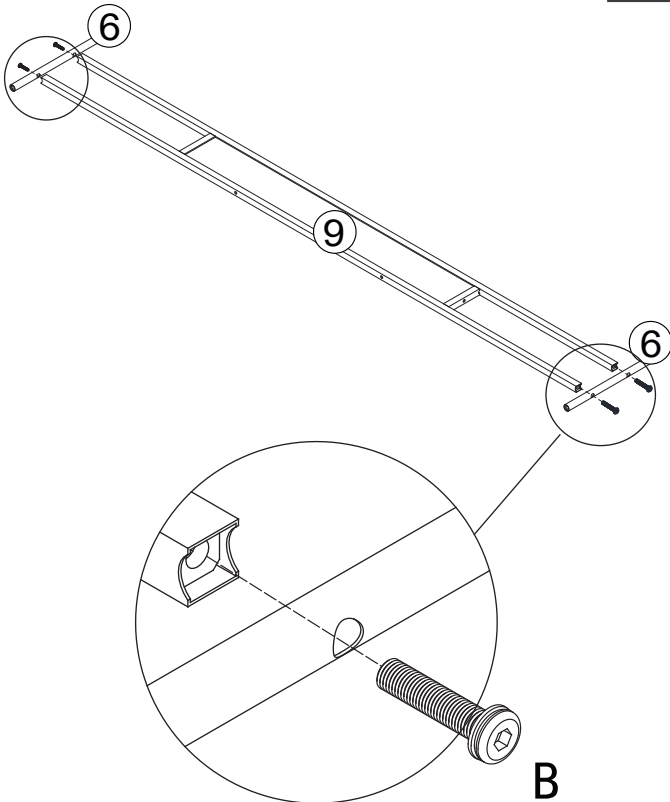
B		4pcs
F		4pcs

3



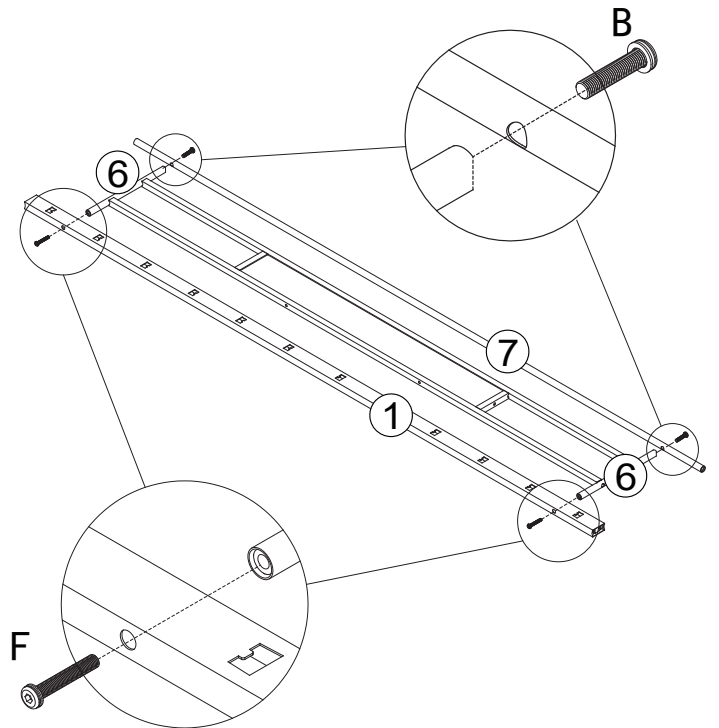
F		8pcs
---	--	------

x2 4



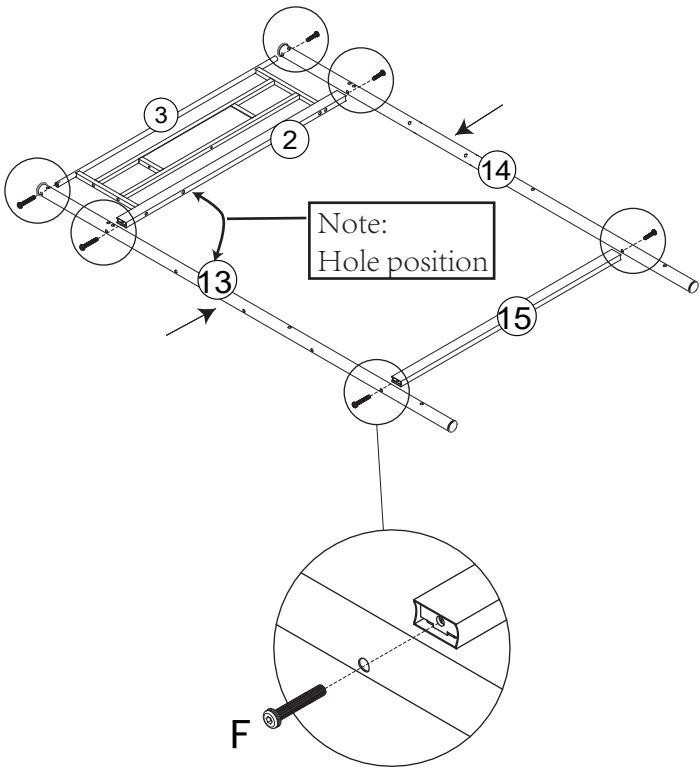
B		8pcs
---	--	------

x2 5



B		4pcs
F		4pcs

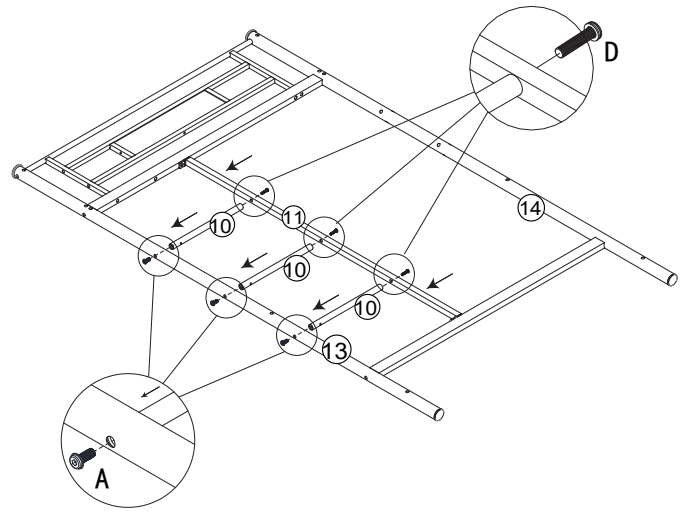
6





Note:
Hole position

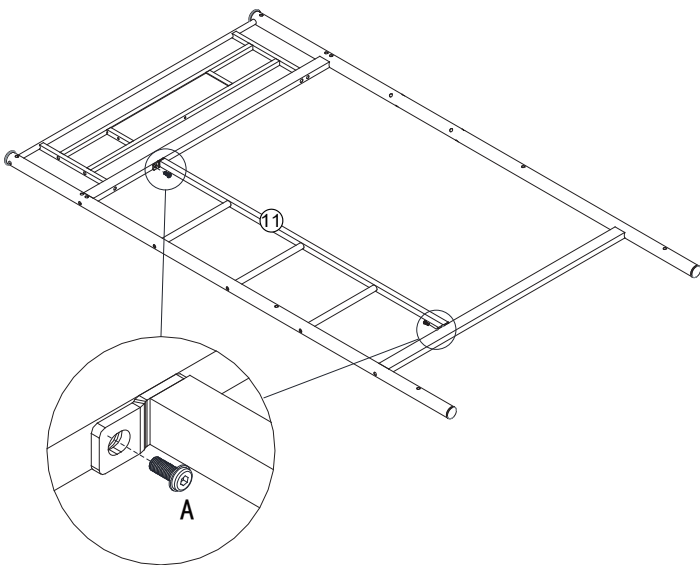
F		6pcs
---	---	------

7



D		3pcs
A		3pcs

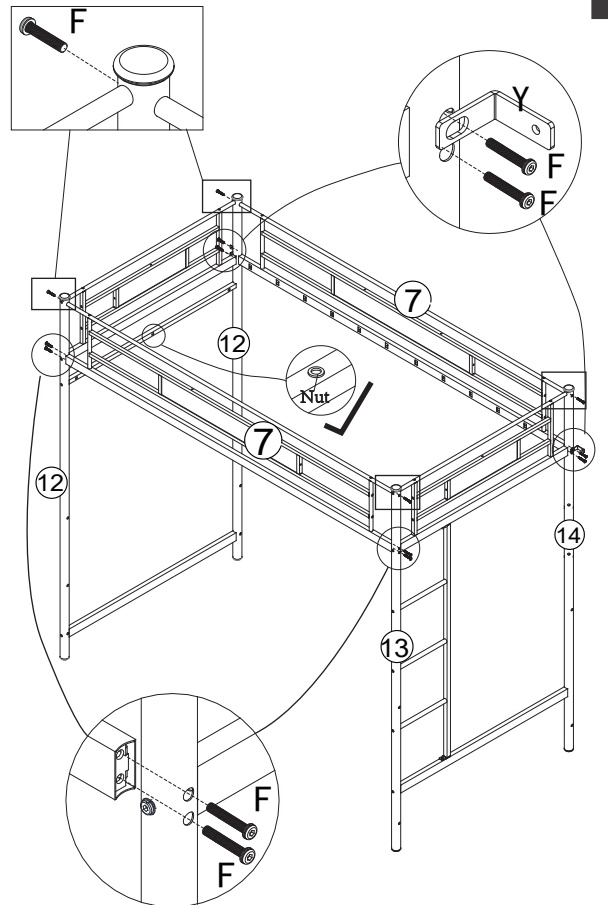
8



A		2pcs
---	---	------

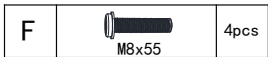
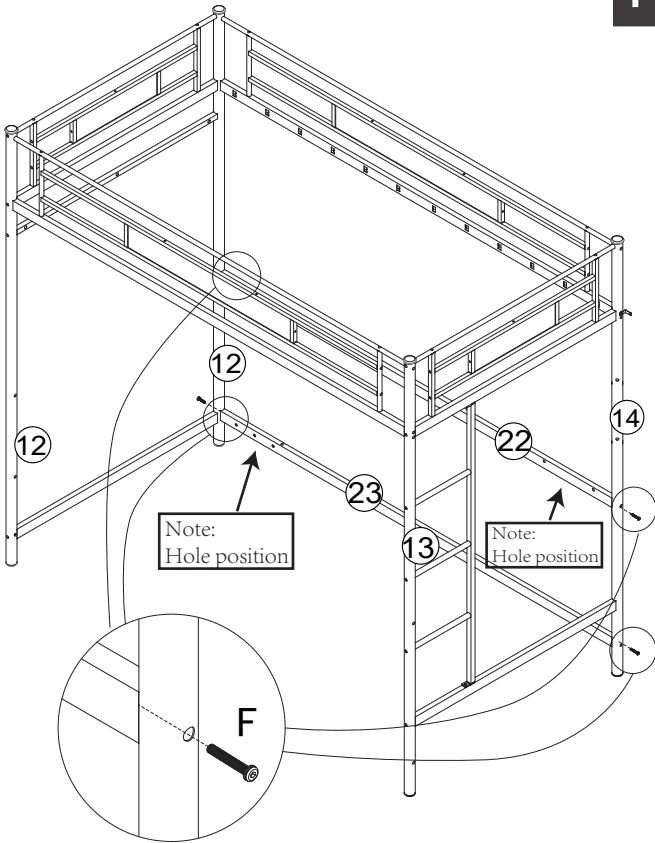
Install screws loosely,
fully tighten

9

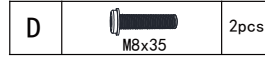
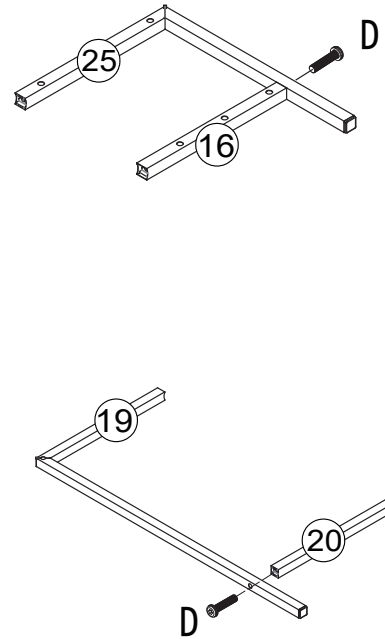


F		12pcs
---	--	-------

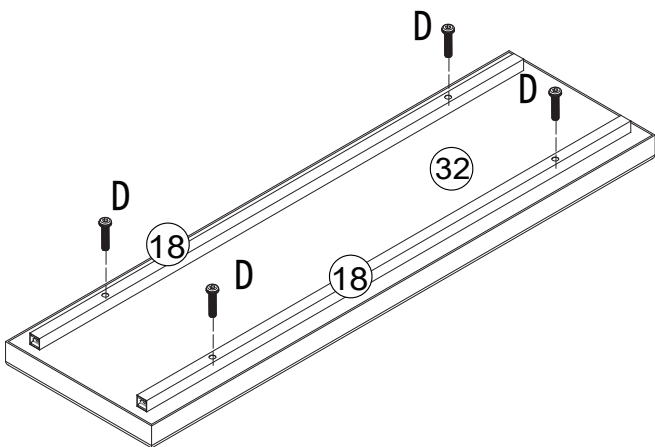
10



11

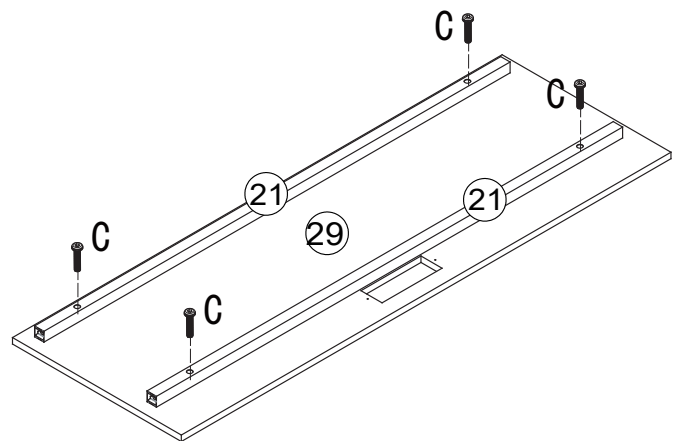


12



Install screws loosely,
don't fully tighten

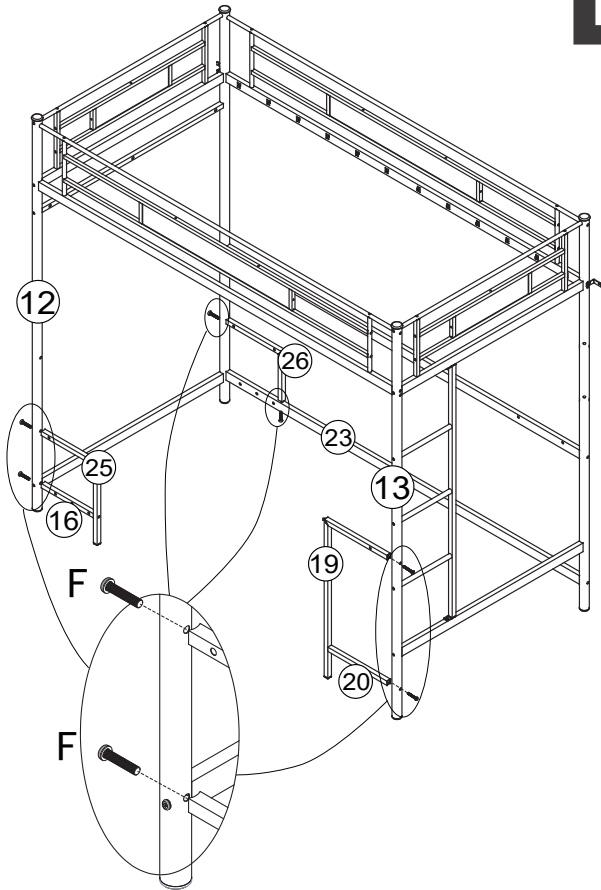
13



white zinc

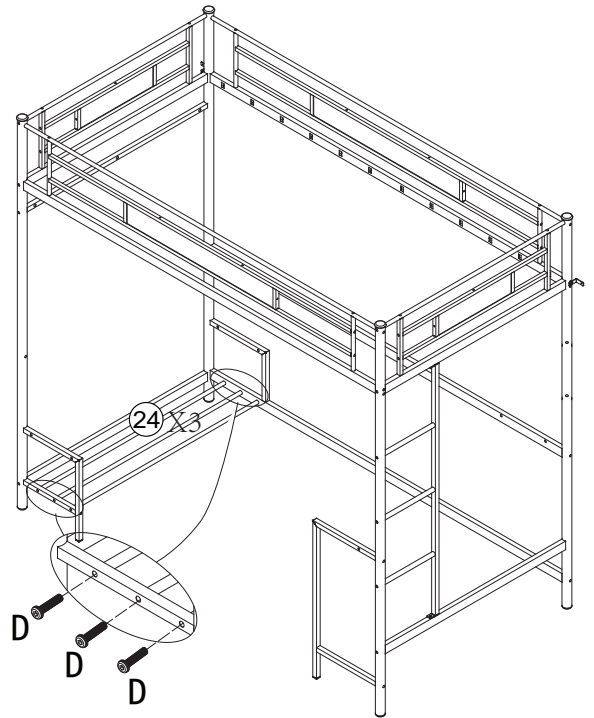
Install screws loosely,
don't fully tighten


14



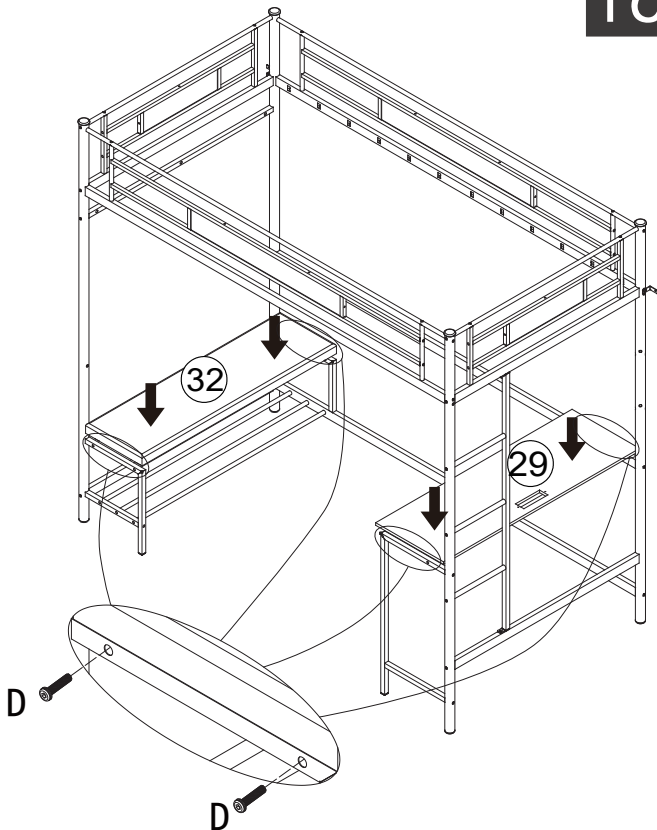
F		6pcs
	M8x55	

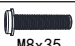
15



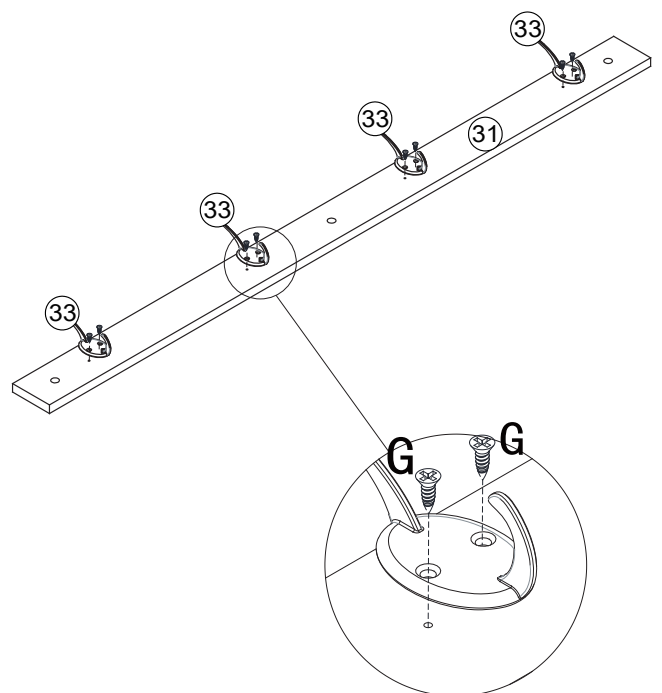
D		6pcs
	M8x35	


16



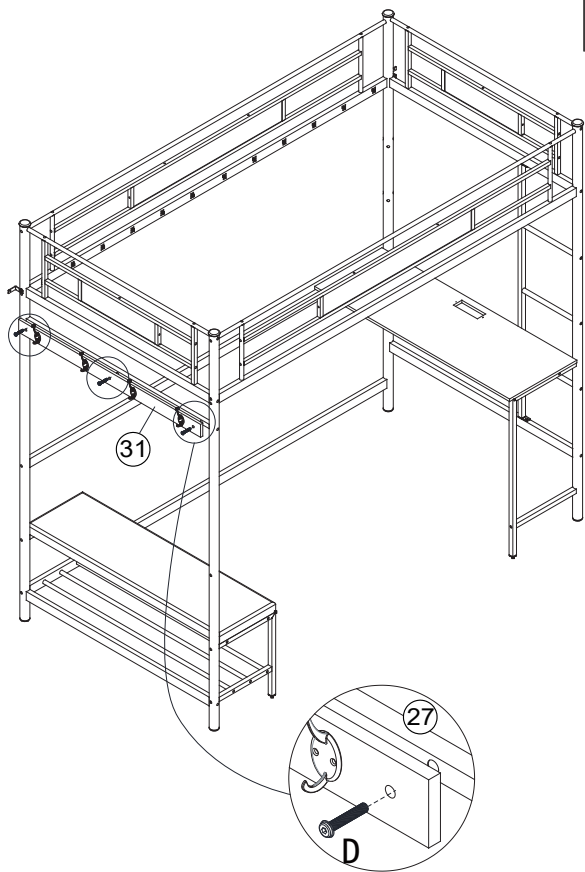
D		8pcs
	M8x35	


17



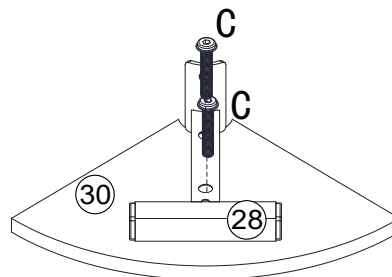
G		8pcs
	ST3*16	

18



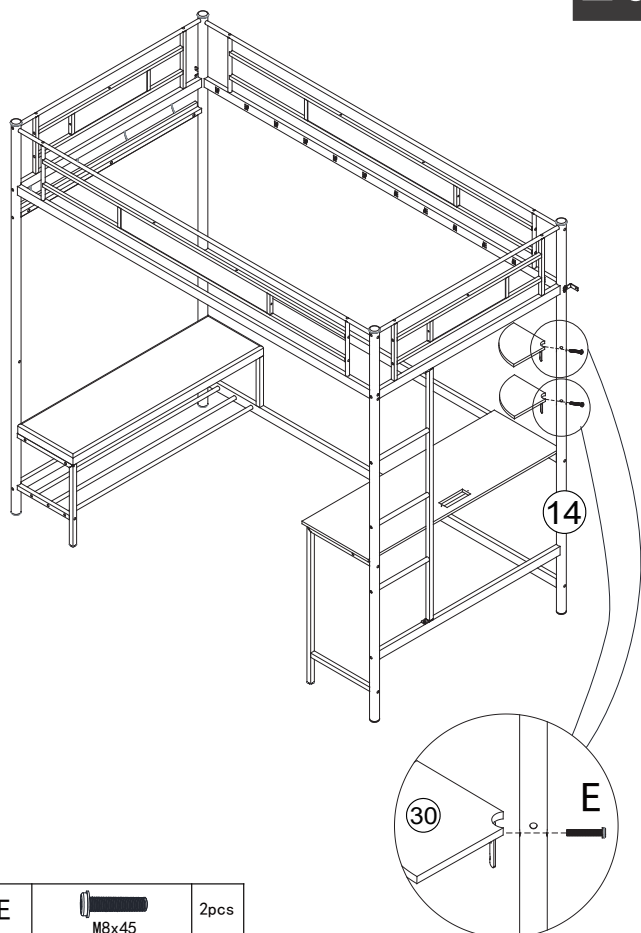
D		3pcs
M8x35		

x2 19



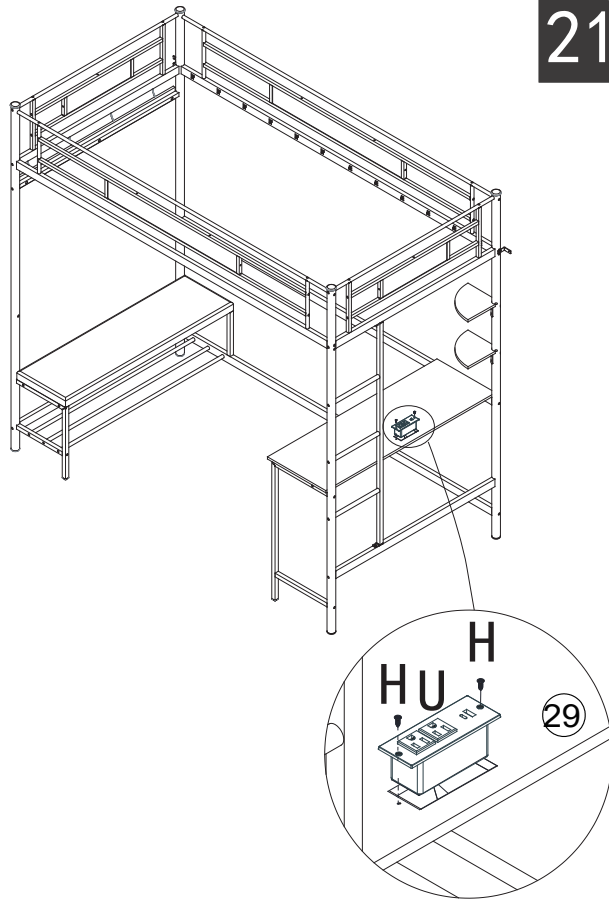
C		4pcs	white zinc
M8x30			

20



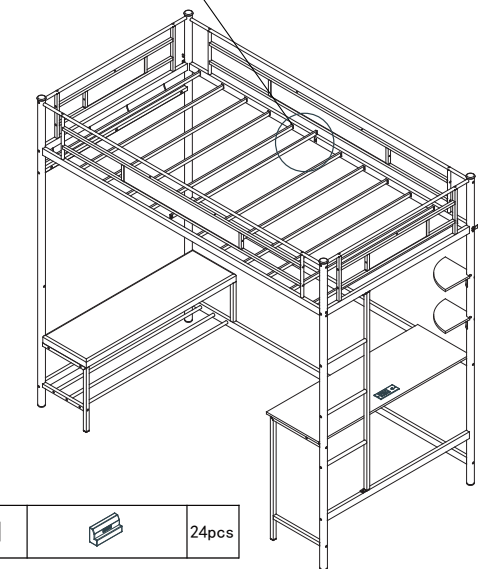
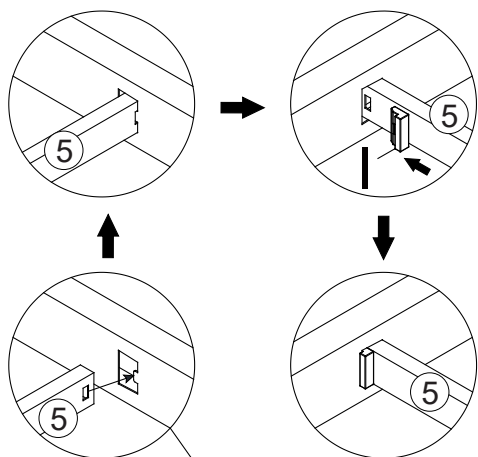
E		2pcs
M8x45		

21



H		2pcs
ST4x14		

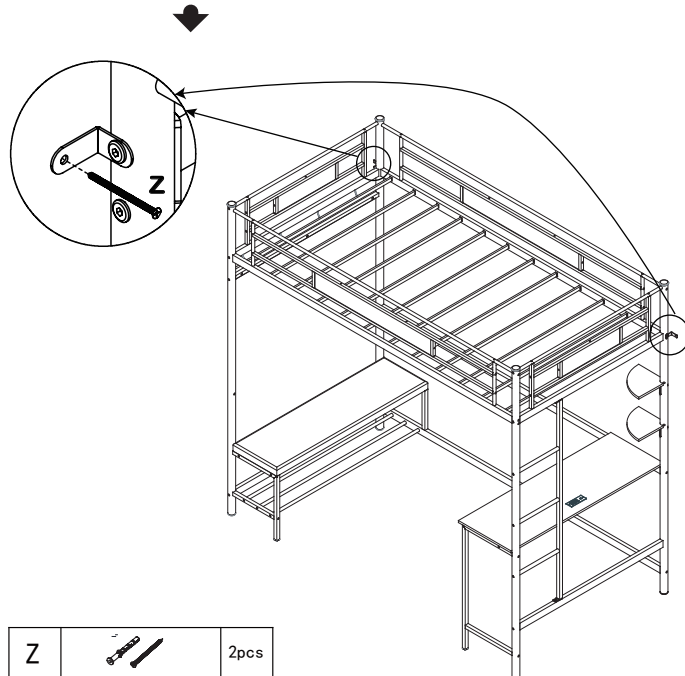
22



I		24pcs
---	--	-------

23

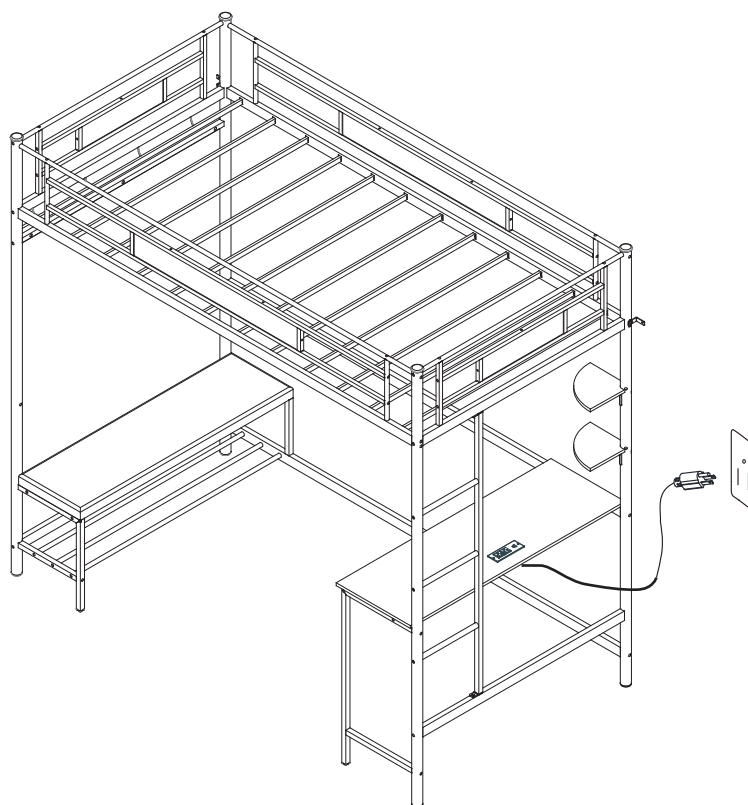
- 1: Using a drill bit with a diameter of 6, drill mounting holes where installation is required
- 2: Place the expansion tube into the hole
- 3: Screw the screw together with the mounting part into the expansion pipe



Z		2pcs
---	--	------

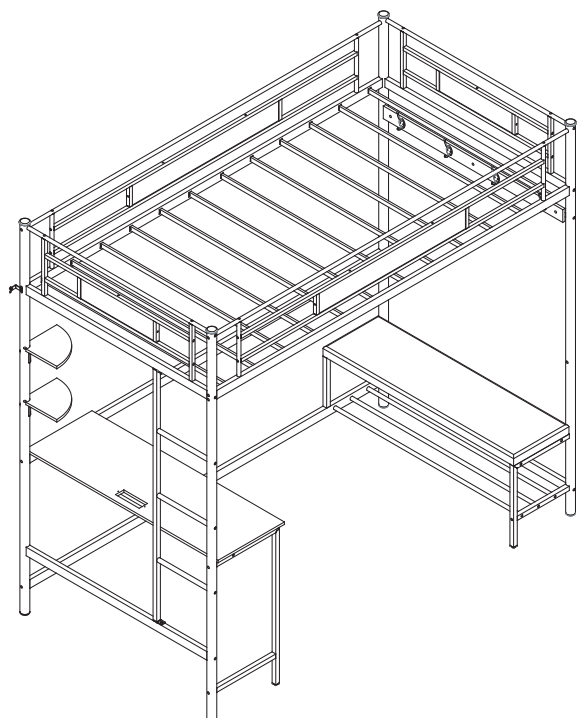
Finish

24

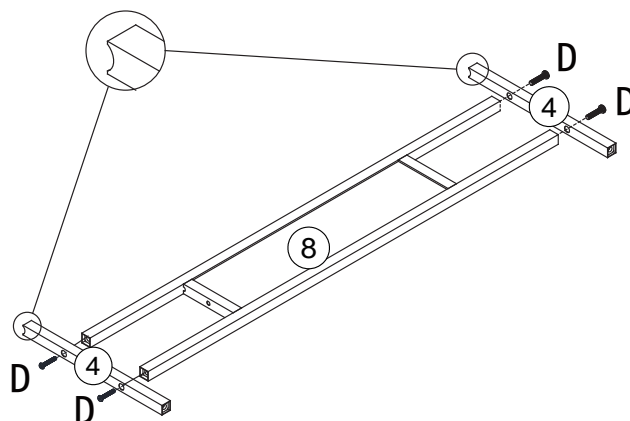


Note: Now you can tighten all the bolts.

TYPE 2

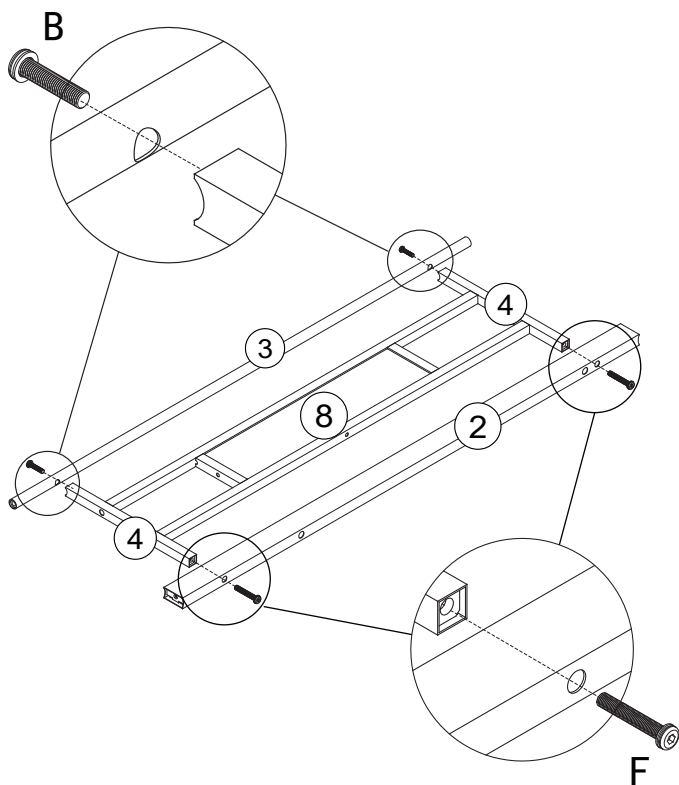




x2 1



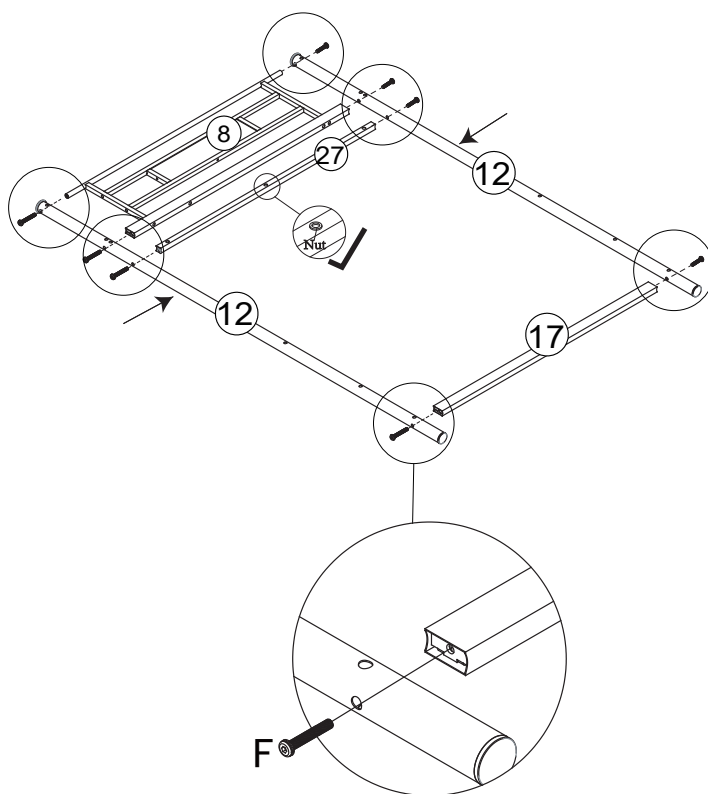
D	 M8x35	8pcs
---	--	------


x2 2



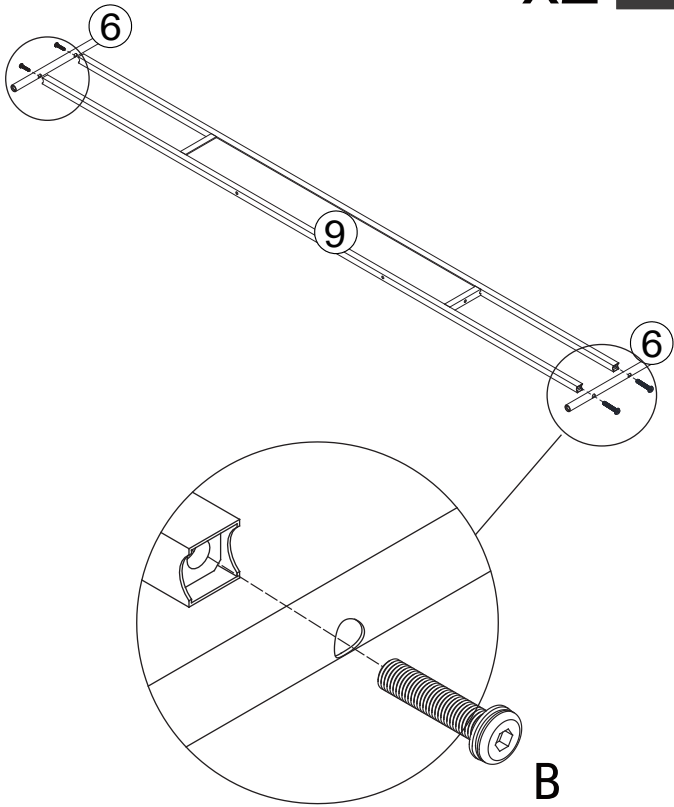
B	 M8x25	4pcs
F	 M8x55	4pcs

3



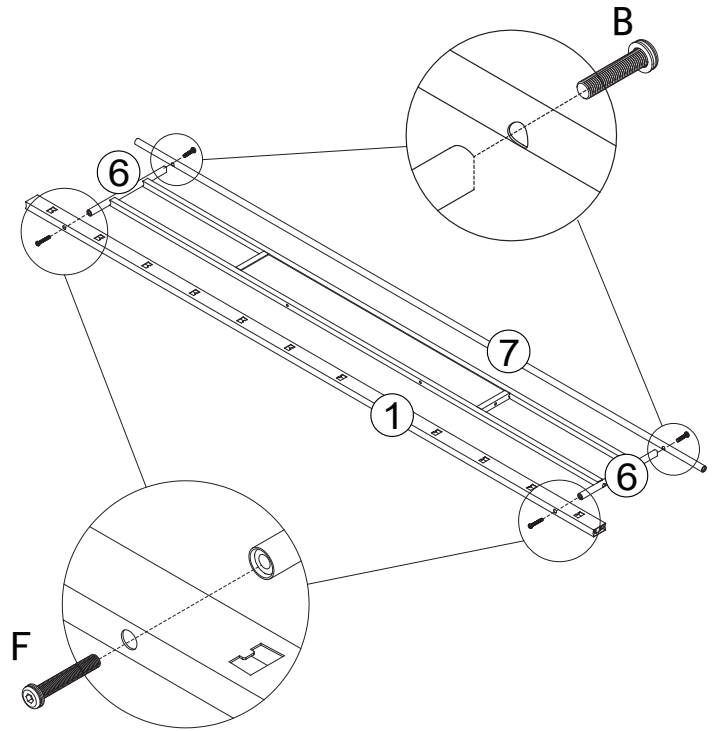
F	 M8x55	8pcs
---	--	------



x2 4



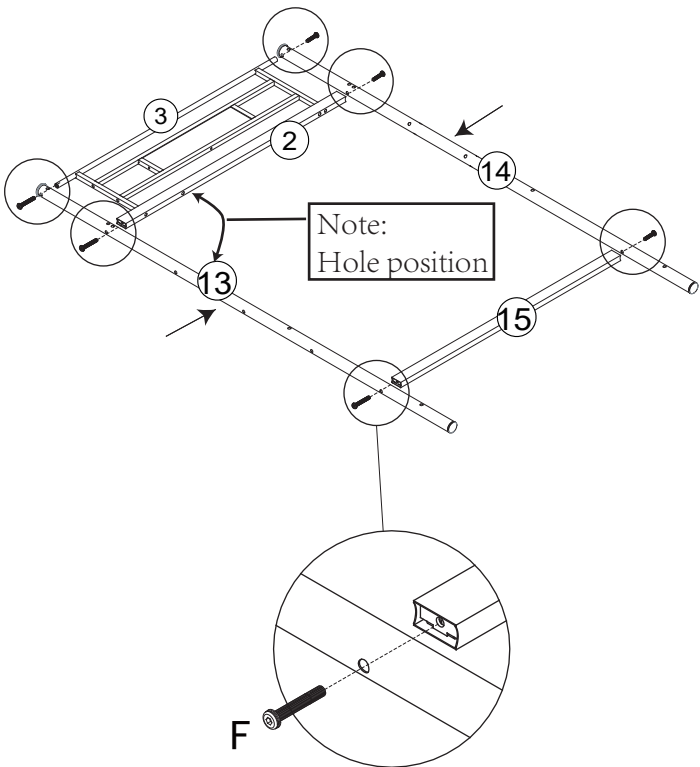
B		8pcs
M8x25		


x2 5



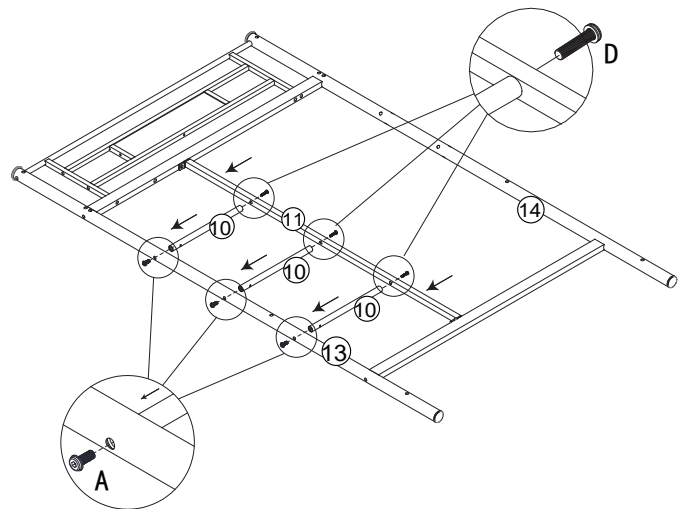
B		4pcs
M8x25		
F		4pcs
M8x55		

6



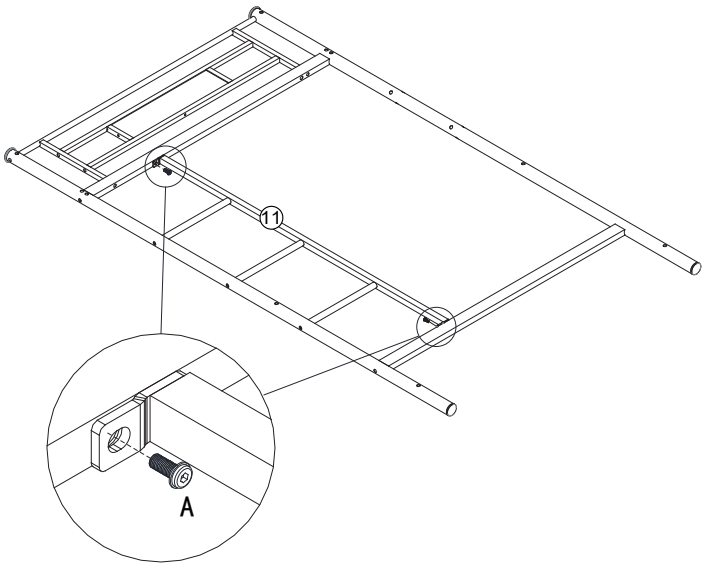
F		6pcs
M8x55		

7



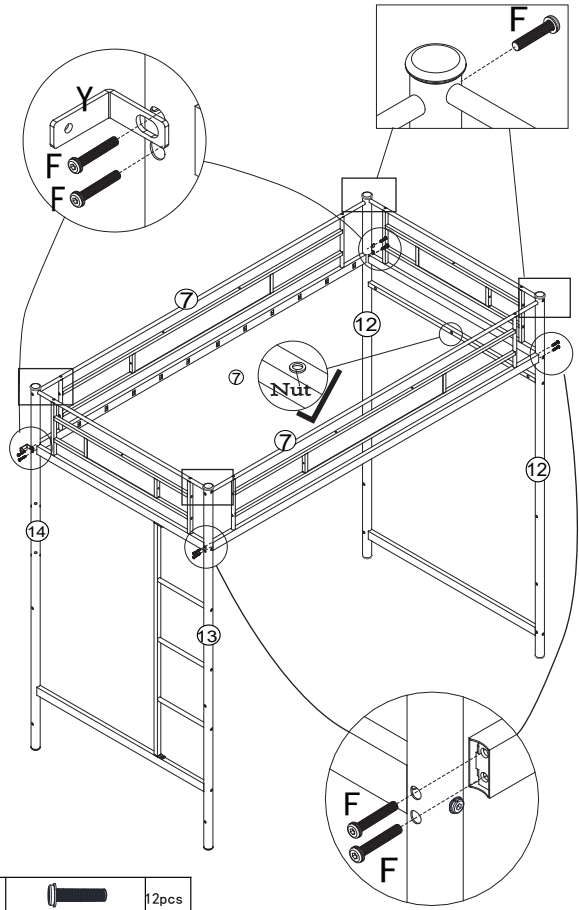
D		3pcs
M8x35		
A		3pcs
M8x16		

8

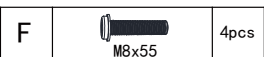
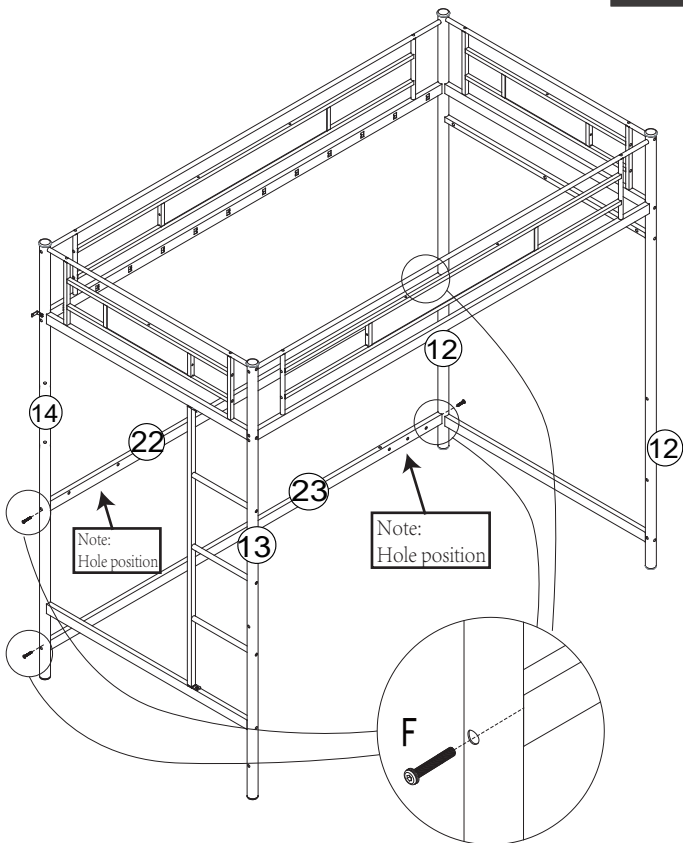


Install screws loosely,
fully tighten

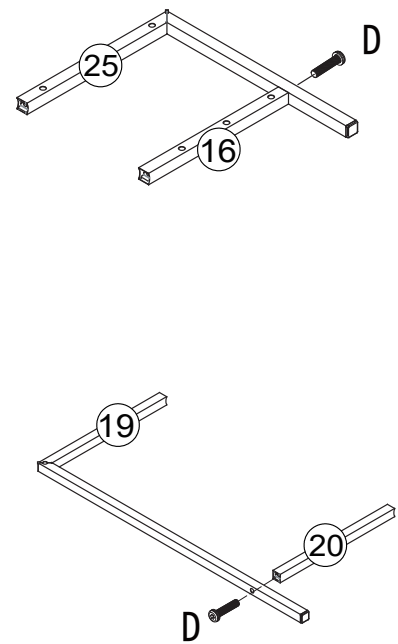
9



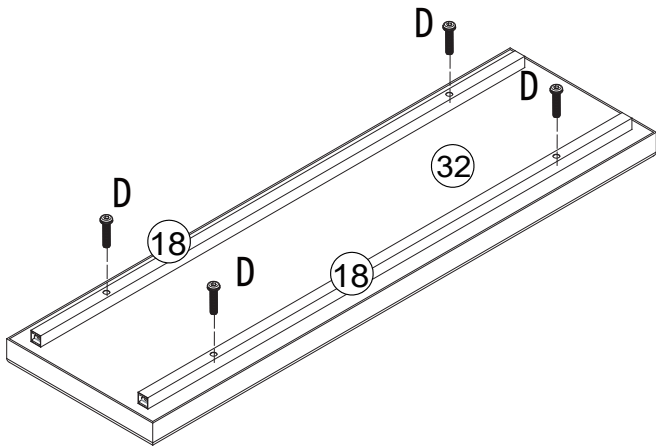
10



11

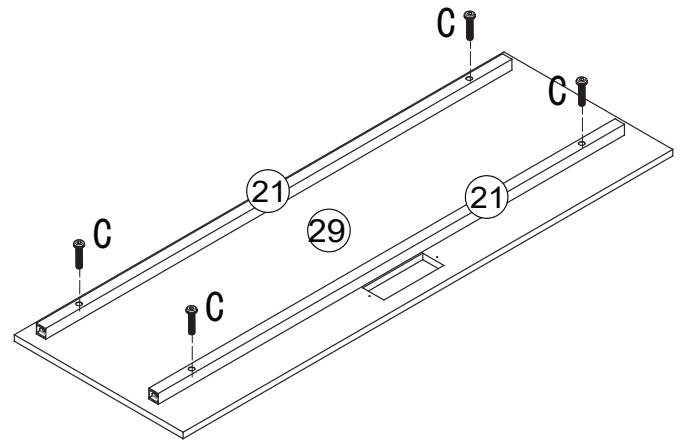


12



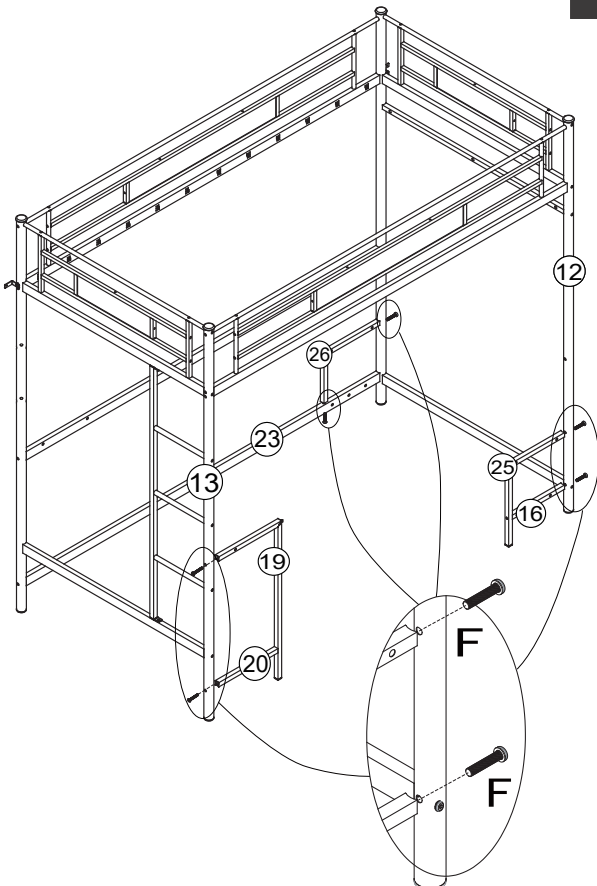
Install screws loosely,
don't fully tighten

13

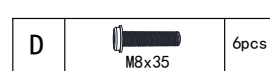
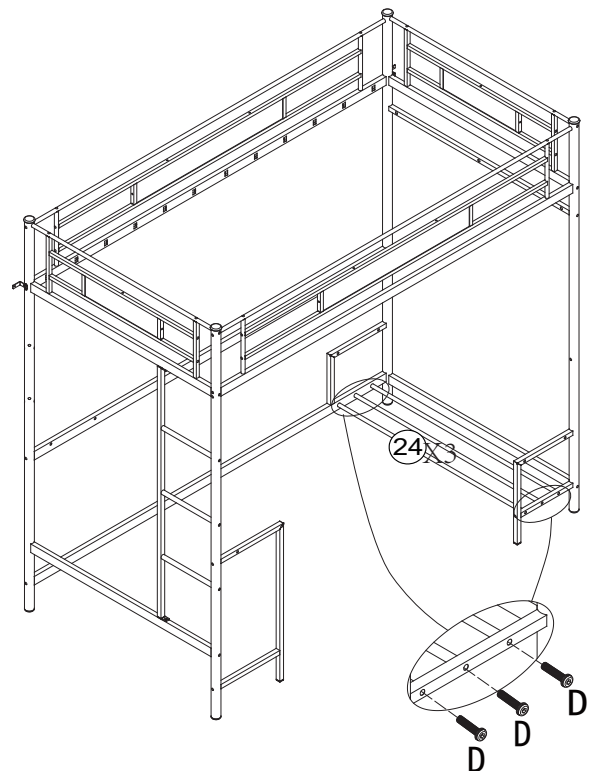


Install screws loosely,
don't fully tighten

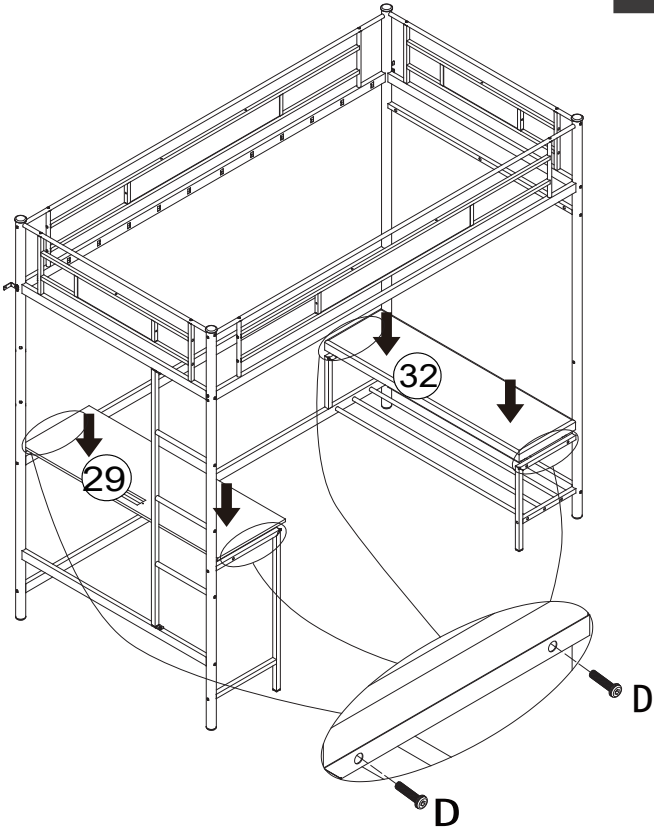
14



15

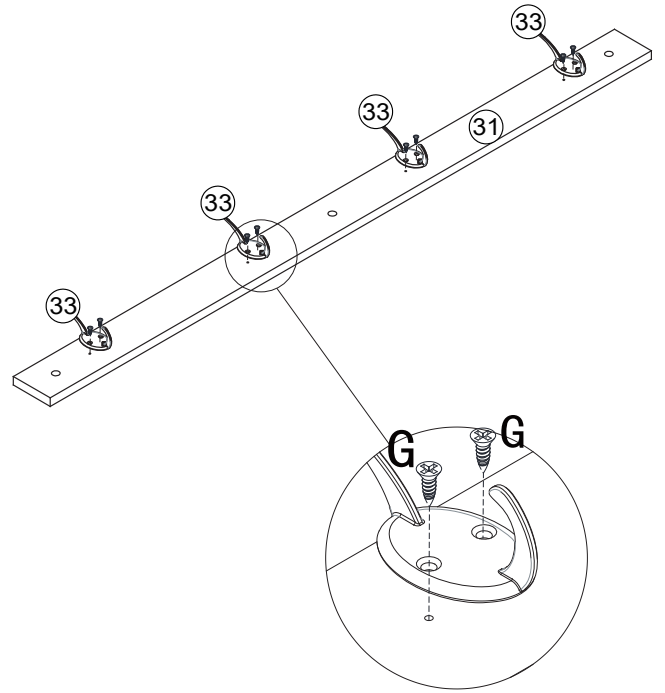


16



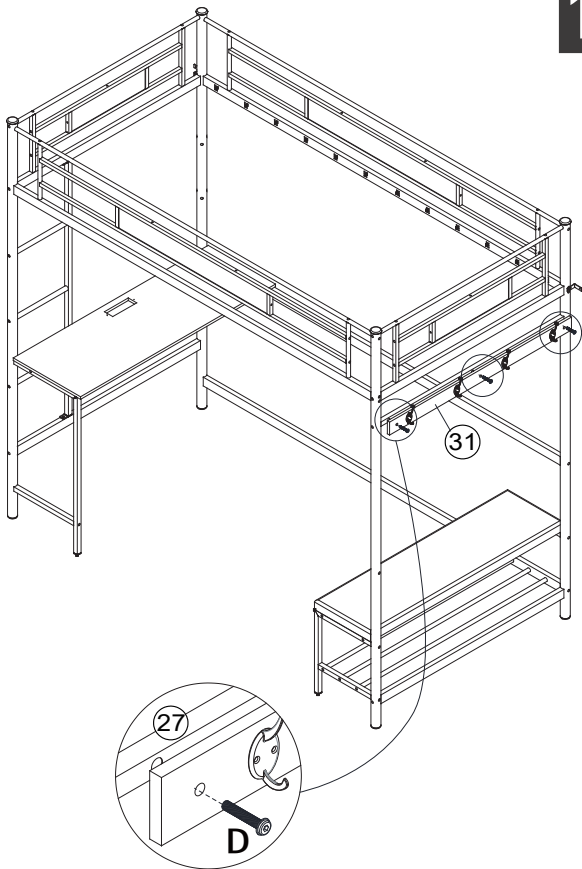
D		8pcs
	M8x35	


17



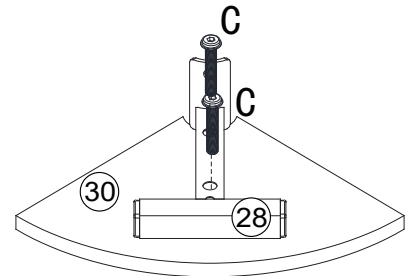
G		8pcs
	ST3*16	

18



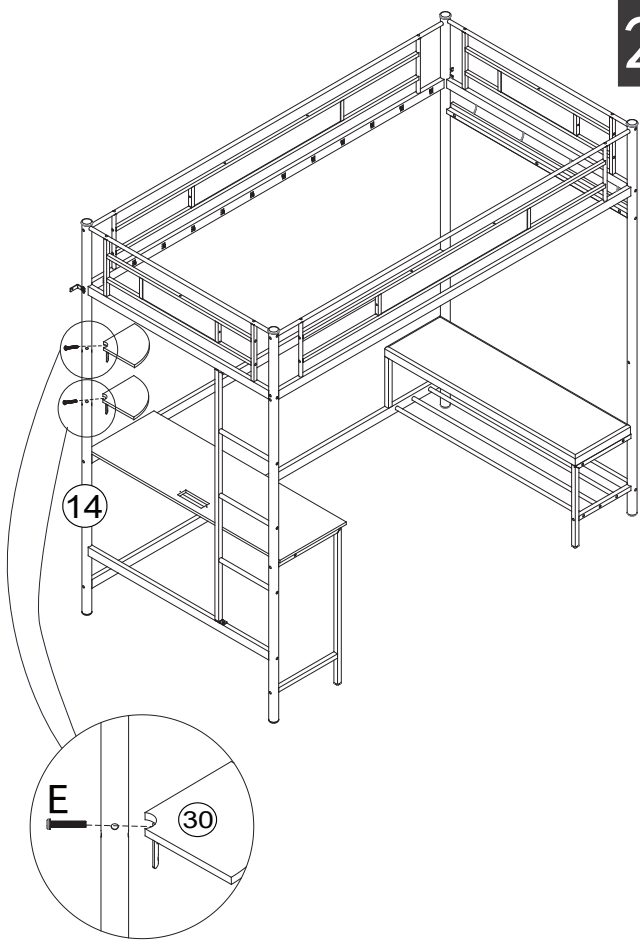
D		3pcs
	M8x35	


x2 19



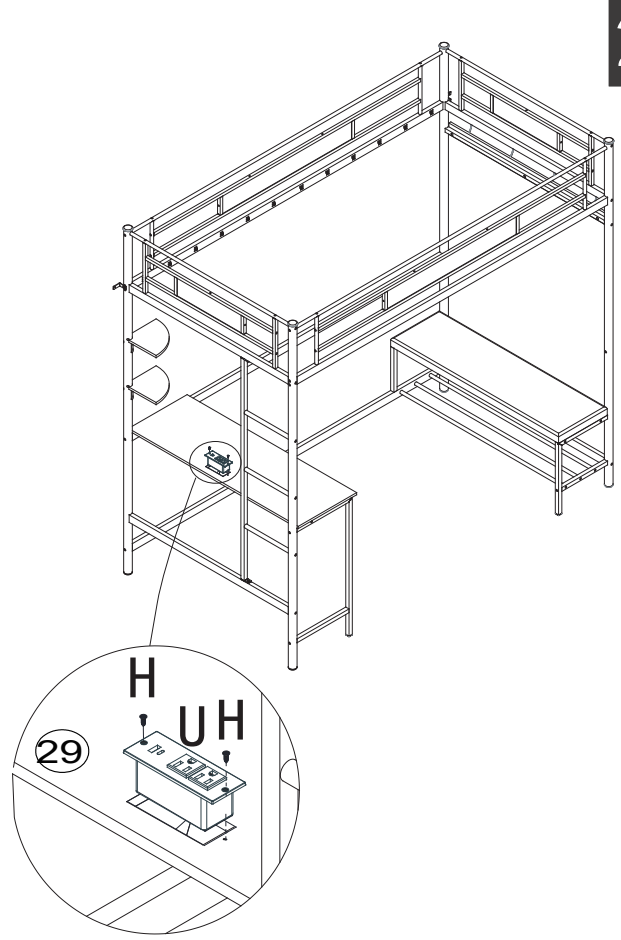
C		4pcs	white zinc
	M8x30		

20



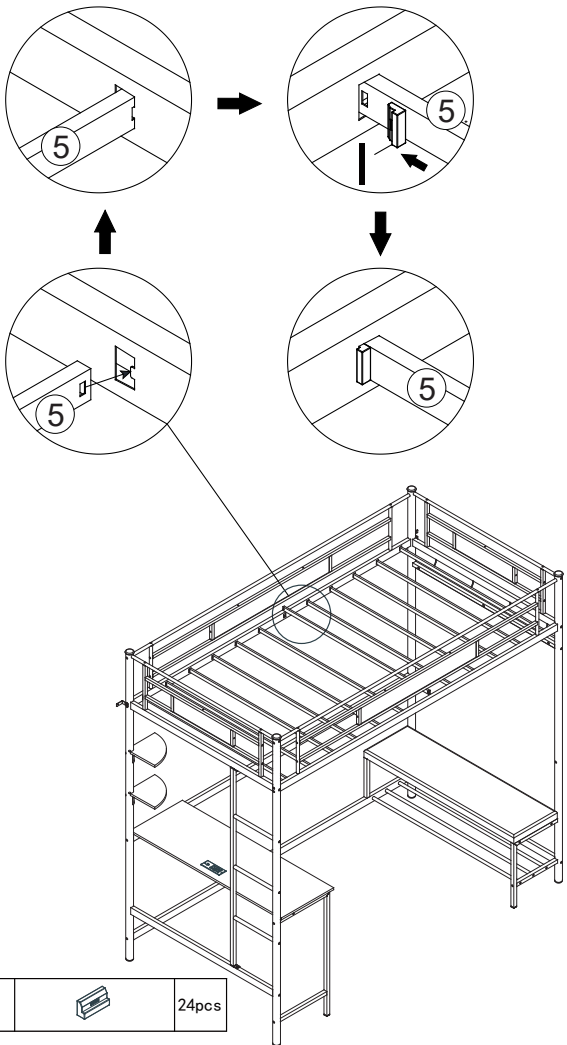
E		2pcs
M8x45		

21



H		2pcs
ST4x14		

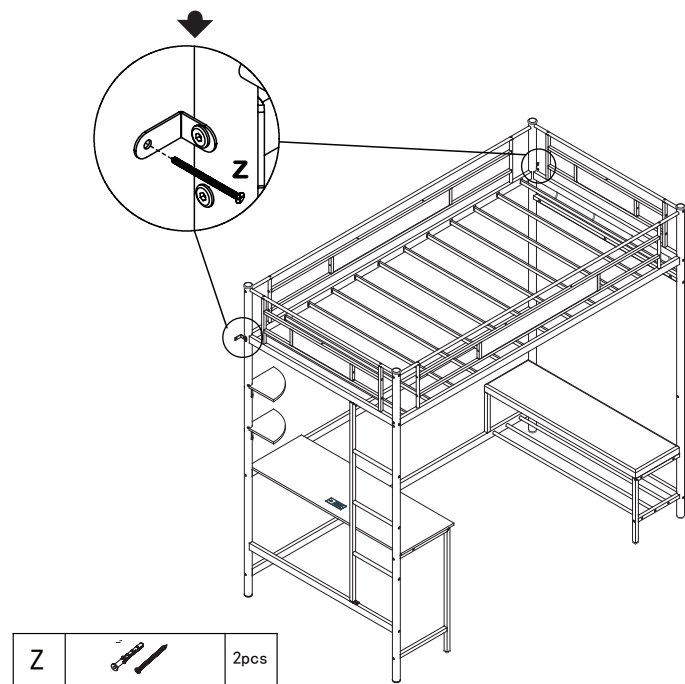
22



I		24pcs
---	---	-------

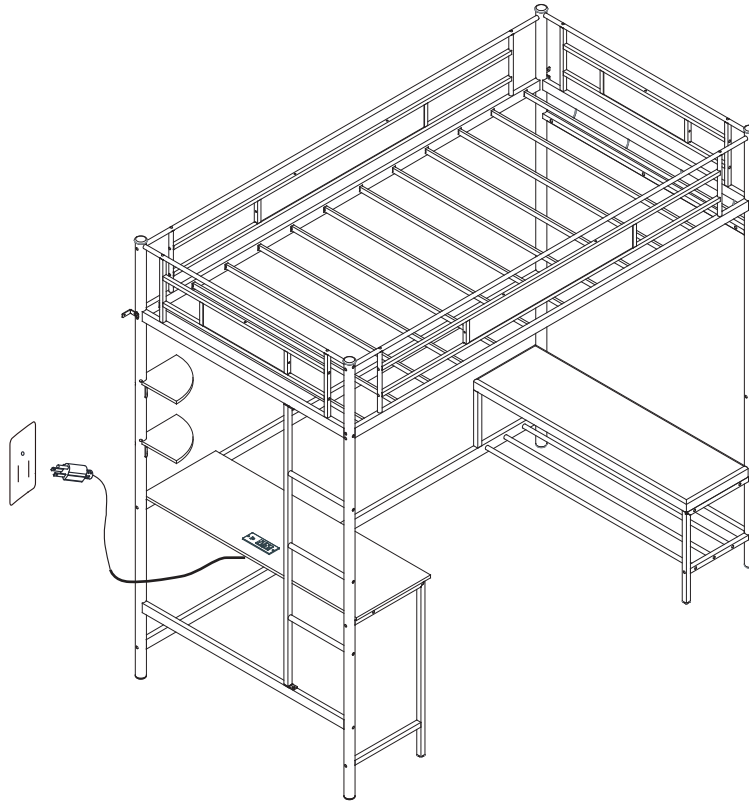
23

- 1: Using a drill bit with a diameter of 6, drill mounting holes where installation is required
- 2: Place the expansion tube into the hole
- 3: Screw the screw together with the mounting part into the expansion pipe



Z		2pcs
---	--	------

Finish



Note: Now you can tighten all the bolts.