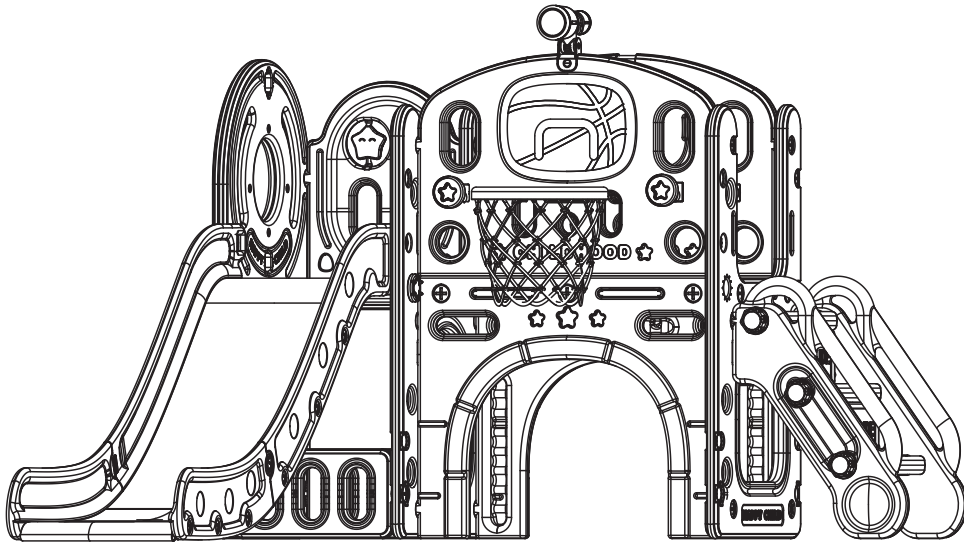


# KIDS SLIDE

Instruction manual

FE-HT-XXX01



## **THANK YOU**

*Thank you for purchasing the kid slide from our store. If you experience any problem while using it, please feel free to contact us. We will solve the problem for you quickly and provide the best customer service!*

**E-mail Service : [toddler slide@gmail.com](mailto:toddler slide@gmail.com)**

This product conforms to the safety requirements of CPSIA, ASTM F963-17

Please read and keep the manual properly, it contains important information.

**E-mail Service : [toddler slide@gmail.com](mailto:toddler slide@gmail.com)**

## MAINTENANCE INSTRUCTIONS

1. Check the product regularly to prevent loose and broken components.
2. Use mild soap and water for daily cleaning.
3. The following examines are required at the beginning of each season (twice a month)

(1) Check if any parts are missing or broken.

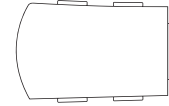
(2) Check if all the connection parts are tight.

## WARNING

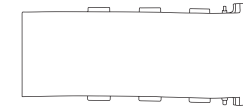
1. CHOKING HAZARD-Small parts. Sharp points. Only for adults assemble it and the product should be used under the supervision of an adult.
2. Children on this product should not wear scarf, gloves, cloak or any clothes with long strip.
3. Children on this product should not wear necklace or hang anything around the neck.
4. MAKE SURE the surface of the product is dry and free of foreign objects before use Stay away from fire
5. MAKE SURE all the connection parts are tightly assembled before allowing children to play on it.
6. DO NOT cut, heat or change the shape of the product.
7. DO NOT use jump rope, clothes line, etc. to hang items not specially designed for this product.
8. DO NOT place the product in direct sunlight to reduce the risk of sunburn.
9. DO NOT use the product in an unintended way.
10. DO NOT use the product when it is wet or in a snow day.
11. Falling to a hard ground like concrete floor may cause severe injury or even death. Close supervision of an adult is required during use.
12. Stop using the product when the temperature is below 32°F (0°C), because the plastic material may get more fragile and easier to broken.

## INFORMATION BEFORE ASSEMBLING

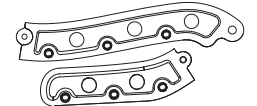
Check if following spare parts are in the box:



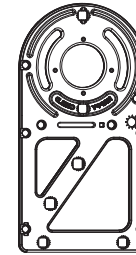
① Buffer board \*1



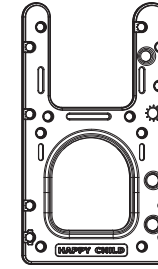
② Slideway\*1



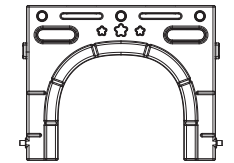
③ Each slide handrail\*2



④ Large Side plate\*1



⑤ U-shaped side panel\*2



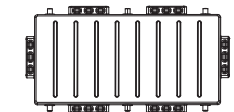
⑥ Aisle U-shaped side panel \*2



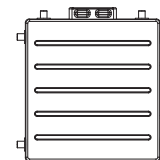
⑦ Aisle side panel \*2



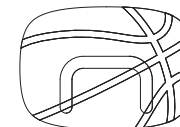
⑧ Star baffle \*1



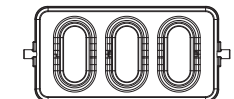
⑨ Aisle platform \*1



⑩ 2 ear platform\*1



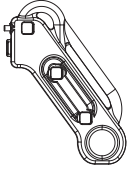
⑪ Stickers \*1 set



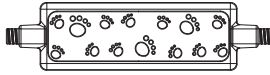
⑫ A-shaped baffle \*2

## INFORMATION BEFORE ASSEMBLING

Check if following spare parts are in the box:



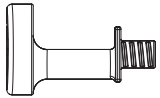
⑬ Stair handrail \*2



⑭ Pedal \*3



⑮ Type B baffle \*2



⑯ Nose\*2



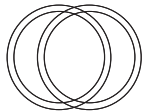
⑰ Folding ball frame\*1



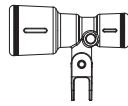
⑱ Basketball net\*1



⑲ Basketball\*1



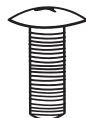
⑳ Ferrule\*8



㉑ Telescope \*1



㉒ Small cross nut\*16



㉓ Screw\*1



㉔ Little prodigy nut\*33

## INFORMATION BEFORE ASSEMBLING

Check if following spare parts are in the box:



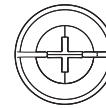
㉕ Square block screw\*2



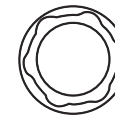
㉖ Long square block screw\*2



㉗ Plastic screwdriver\*1



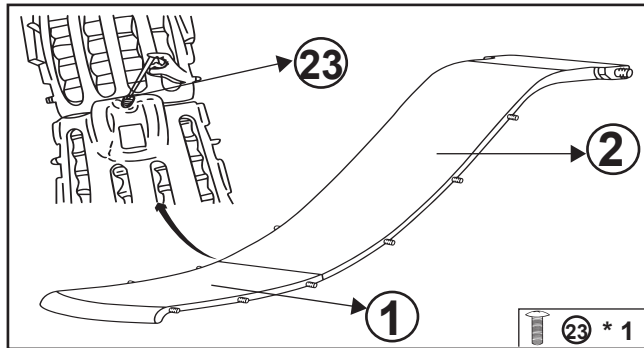
㉘ Patterned nut\*2



㉙ Large nut\*6

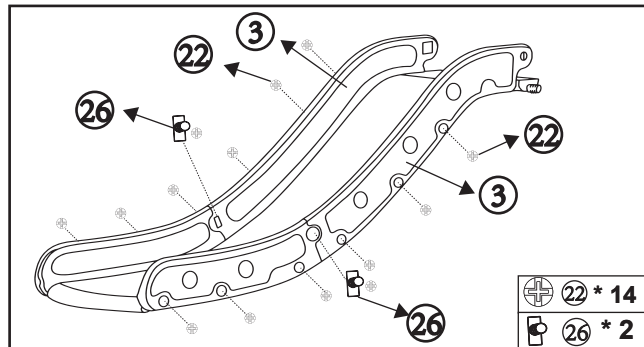
# ASSEMBLING

## STEP 1



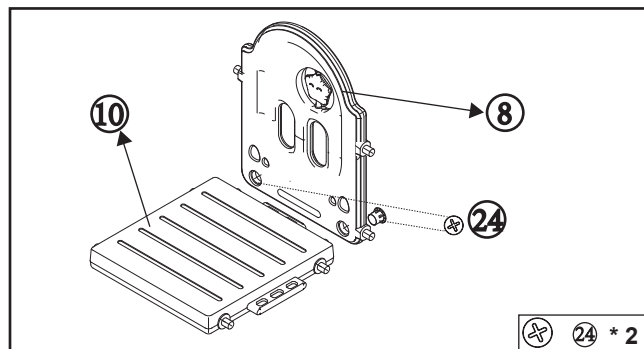
Place the slide on the buffer board, then use a screwdriver to tighten the screws from the back

## STEP 2



Use small cross nuts and Long square block screws to connect the side handrails

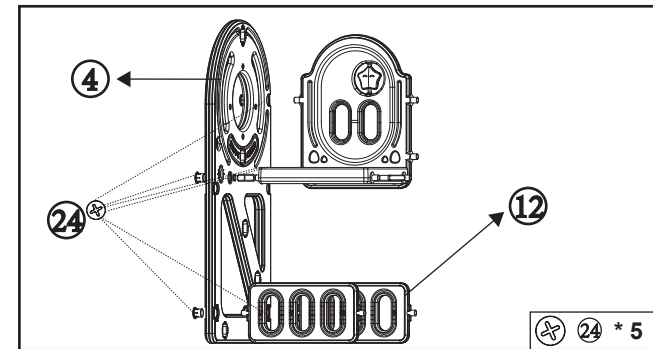
## STEP 3



Assembly of 2 ear platform and star baffle

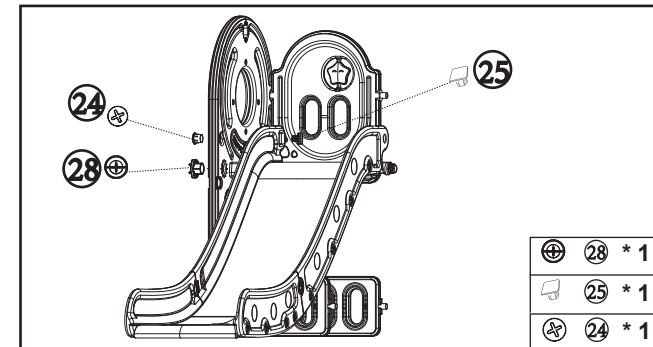
# ASSEMBLING

## STEP 4



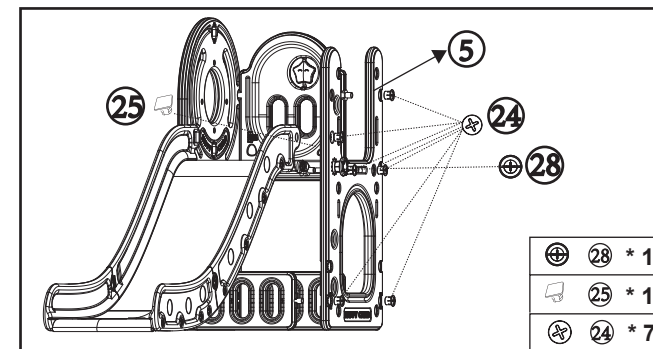
Fix the assembled platform and A-shaped baffle onto the large side plate

## STEP 5



Fix the assembled slide way

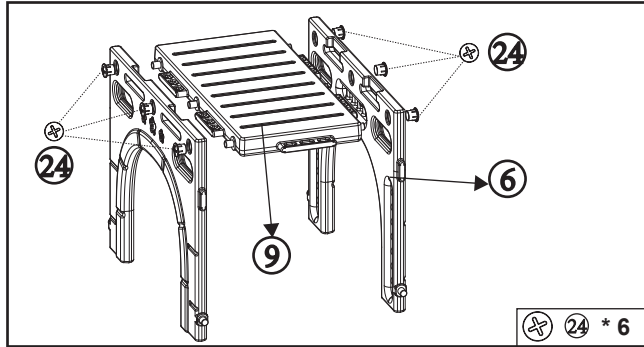
## STEP 6



Install the U-shaped side plate on the other side

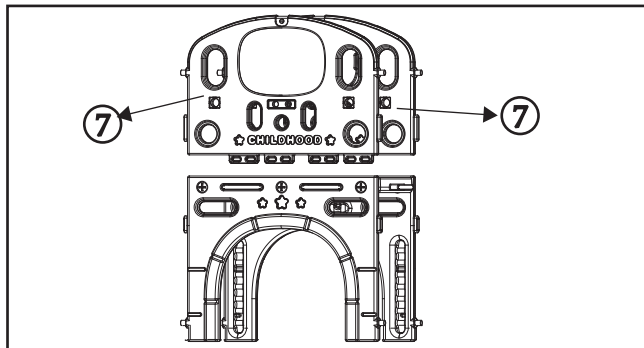
# ASSEMBLING

## STEP 7



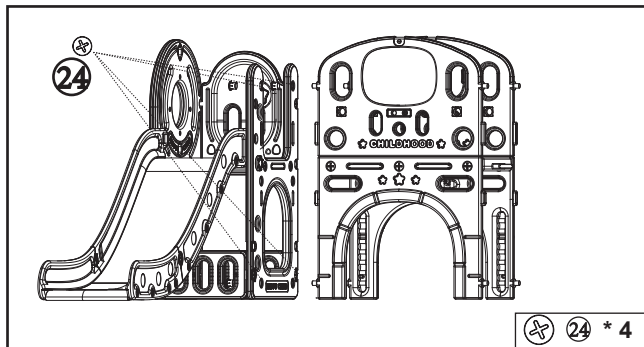
Assembly of U-shaped side plate of aisle and Aisle side panel

## STEP 8



Insert Aisle side panel

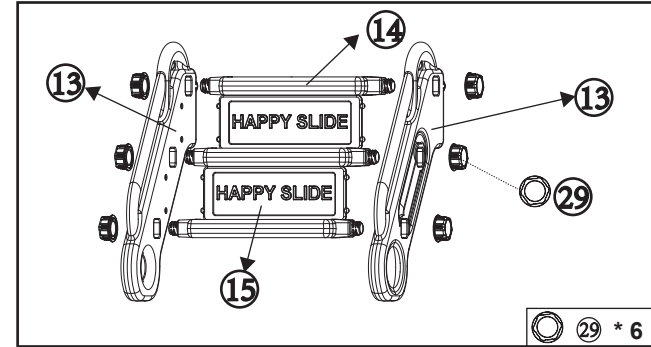
## STEP 9



Connection with slide

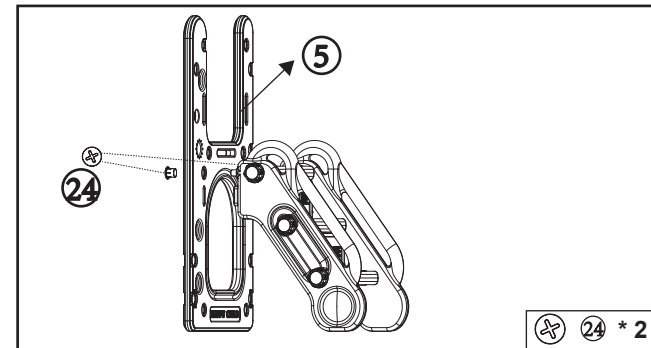
# ASSEMBLING

## STEP 10



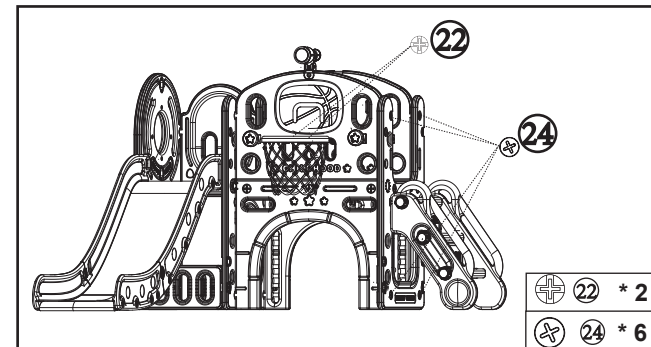
Assembling stair handrails, pedals and type B baffles

## STEP 11



Assemble the assembled stairs and the U-shaped side panels, and tighten them with a plastic screwdriver

## STEP 12



Fix the U-shaped side plate to the other side of the aisle, and then install the ball frame, nose, sticker and telescope

