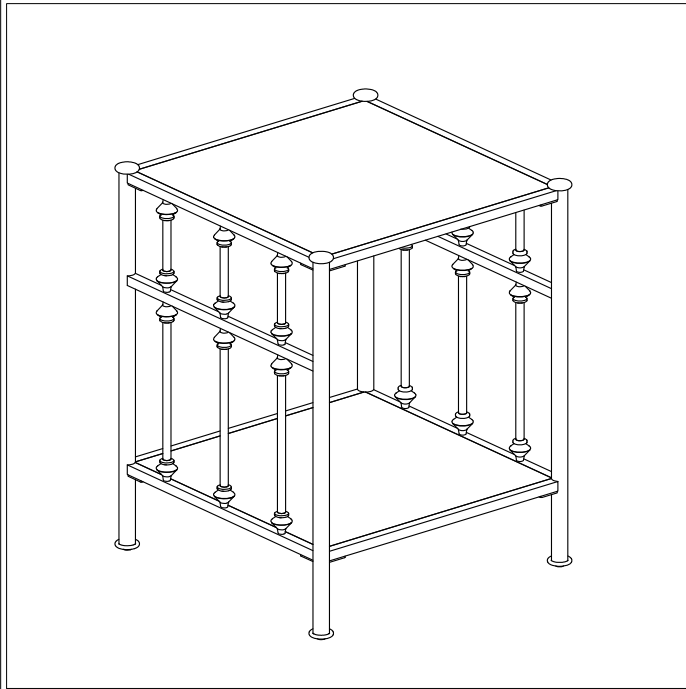



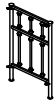
ASSEMBLY INSTRUCTION

DESCRIPTION Open Night Stand-Antique White/Black/Blue/Green/Red/Vintage White



Thank you for purchasing this quality product. Be sure to check all packing material carefully for small parts which may have come loose inside the carton during shipment. Identify and count all parts and compare with the parts list below:



PARTS LIST (EACH NIGHT STAND)

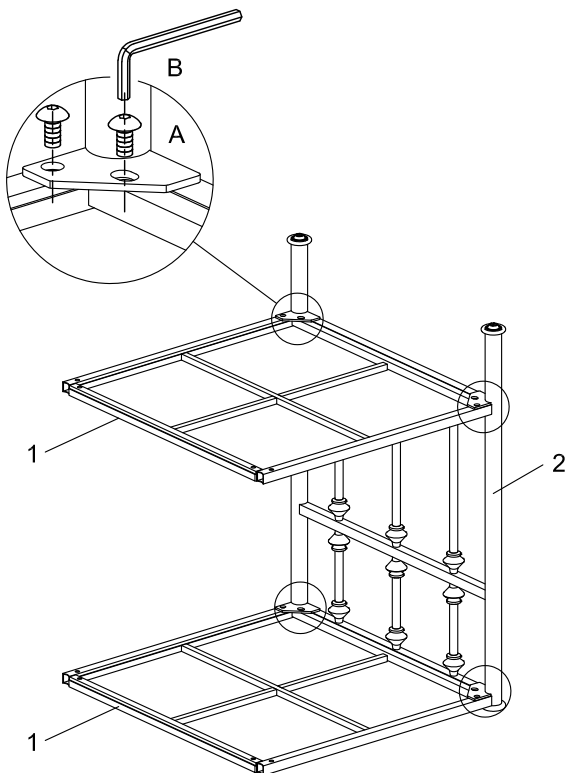
1		Metal Top And Shelf	2PCS
2		Side Panel	2PCS

HARDWARE LIST (EACH NIGHT STAND)

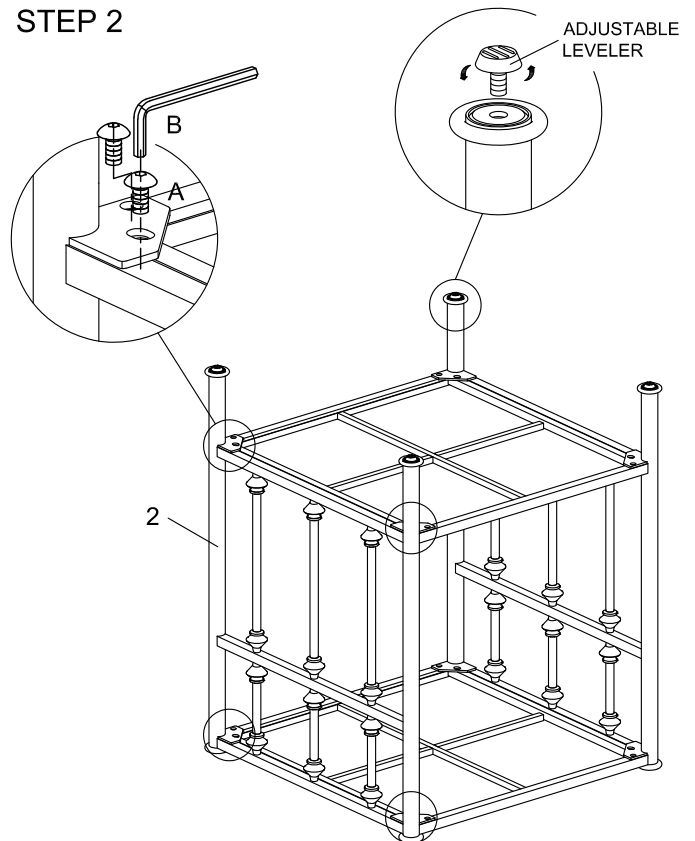
A		Bolt:Ø1/4"*1/2"	16PCS
B		Allen Key :4mm	1PC

ASSEMBLY STEP

STEP 1



STEP 2



NOTE: DO NOT TIGHTEN ALL THE BOLTS UNTIL THEY ARE INSTALLED IN CORRESPONDING HOLES!