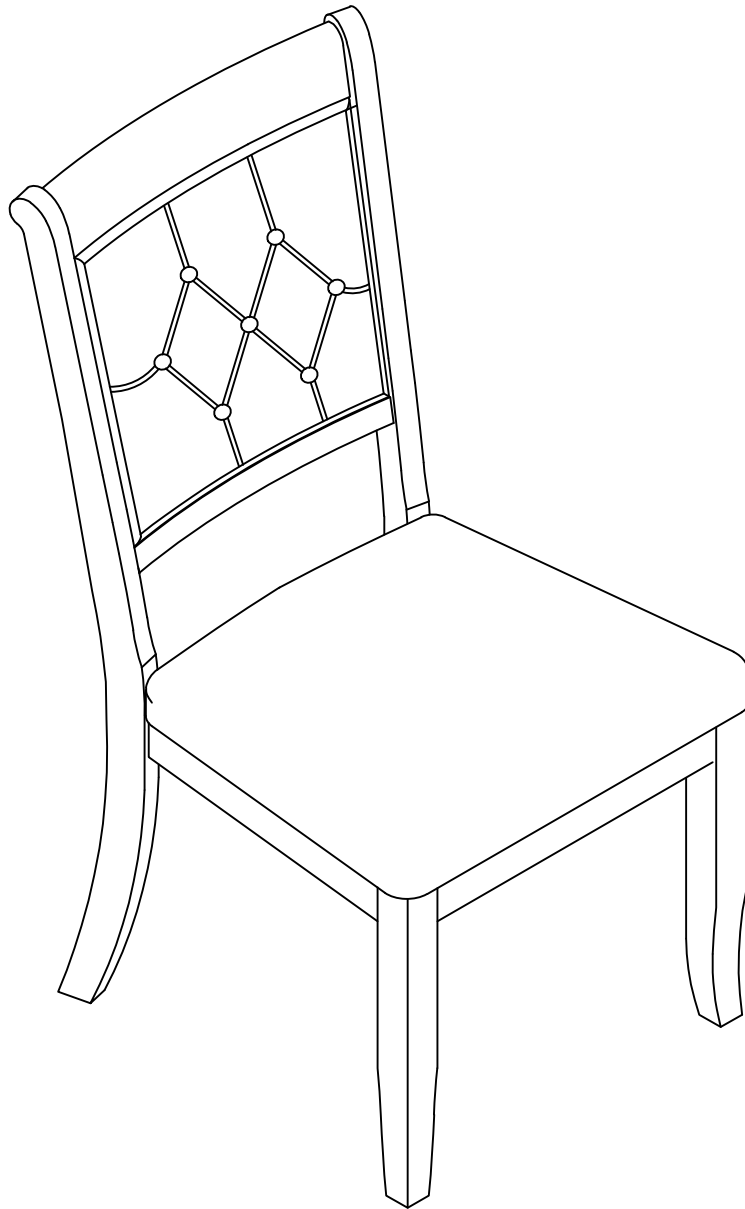


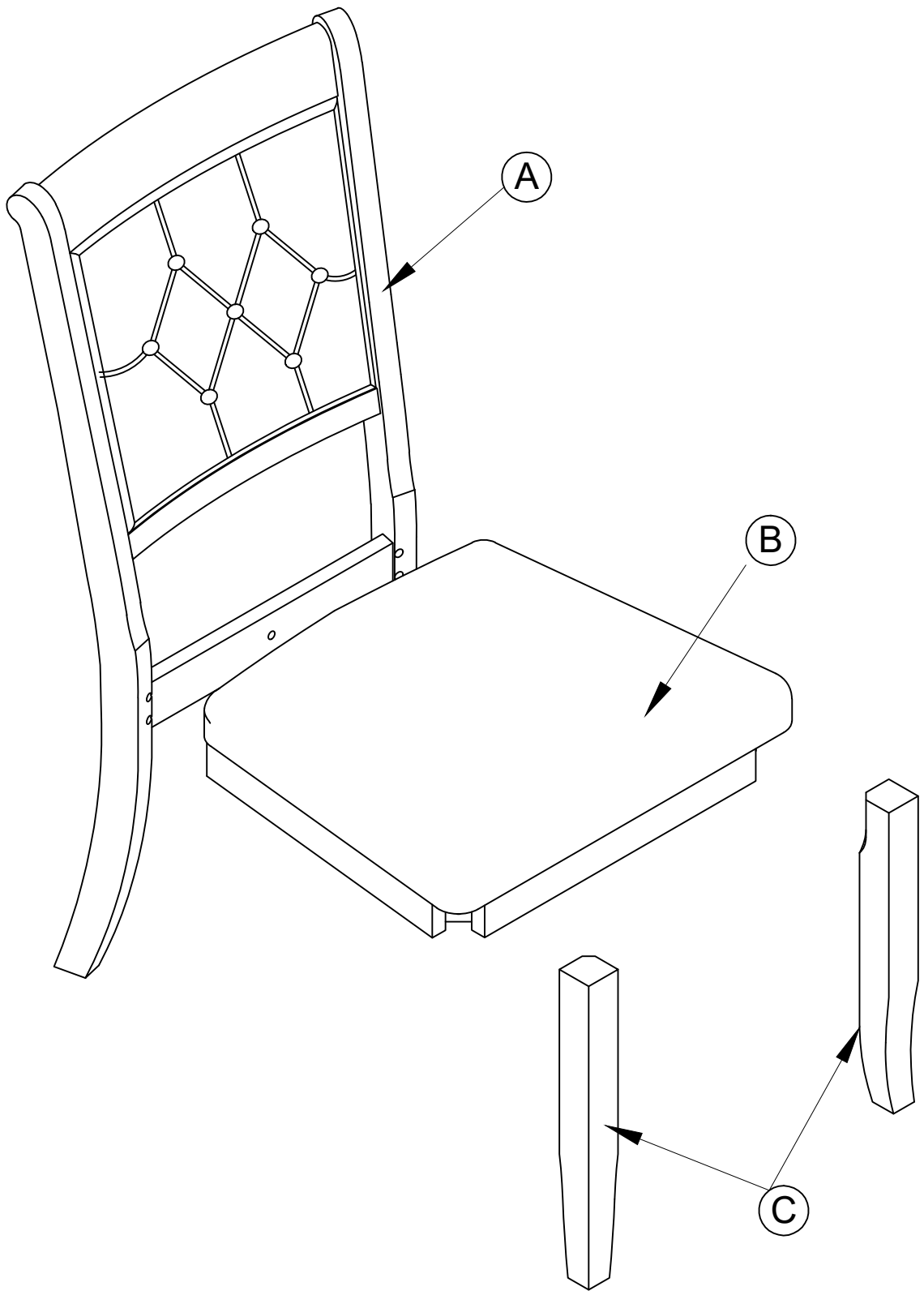
ASSEMBLY INSTRUCTION

ITEM NO. N715P170375 - DINING CHAIR



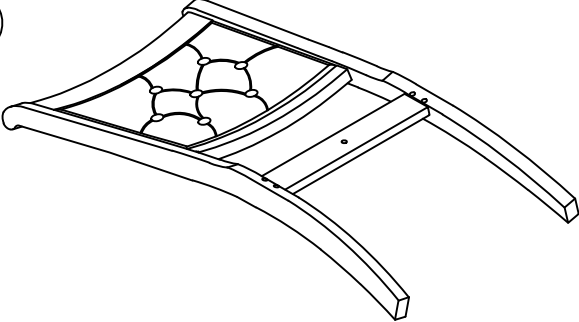
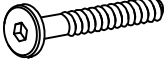
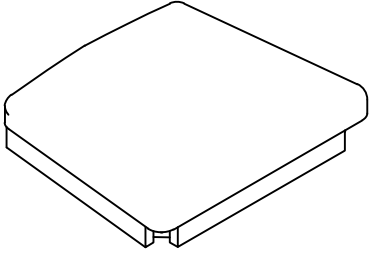
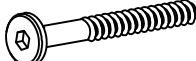
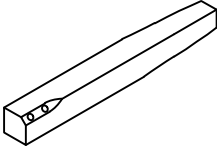
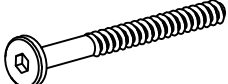



IMPORTANT NOTE:

- ① PLACE ALL PARTS ON A CLEAN AND SMOOTH SURFACE SUCH AS A RUG OR CARPET TO AVOID THE PARTS FROM BEING SCRATCHED.
- ② BEFORE YOU BEGIN, KINDLY FOLLOW THE ASSEMBLY INSTRUCTIONS STEP BY STEP.
- ③ DO NOT TIGHTEN ALL SCREWS AND BOLTS UNTIL THE CHAIR IS FULLY SET-UP.

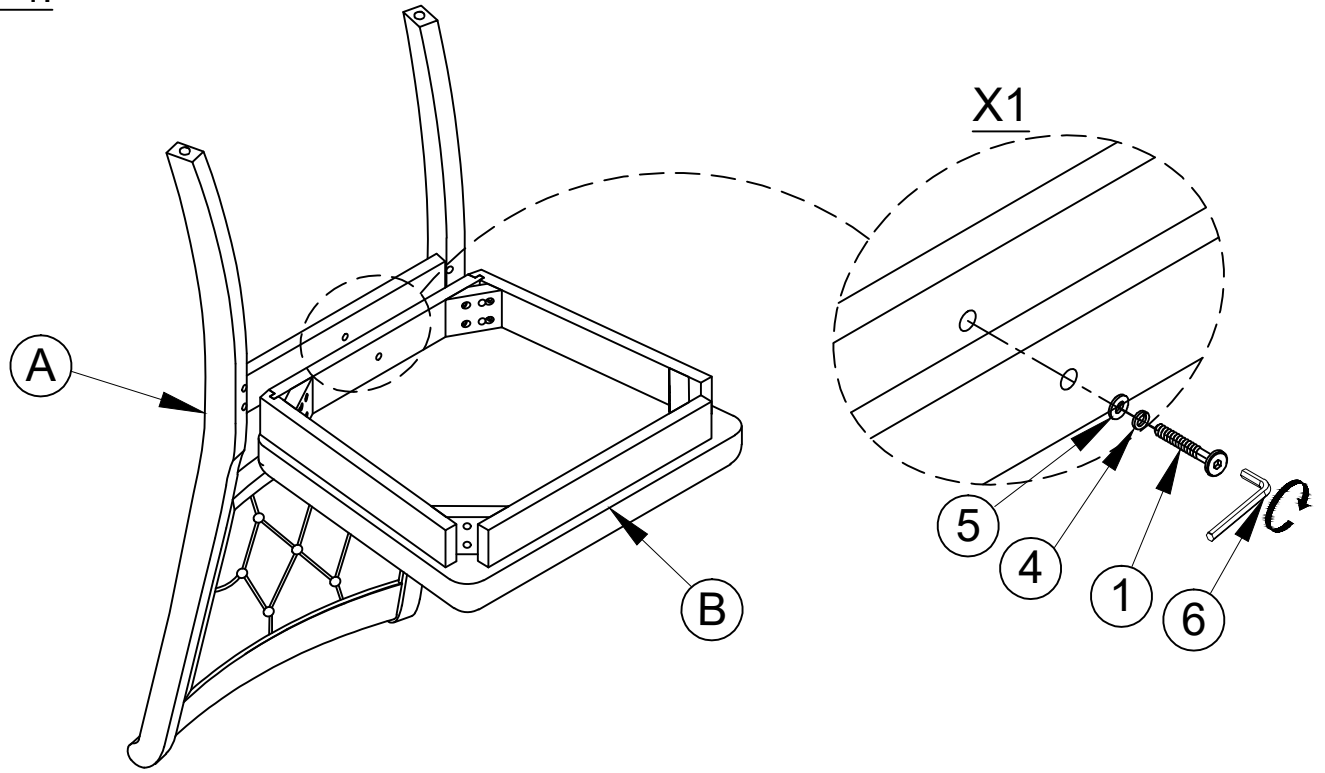


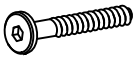



Part List For One

Hardware List For One

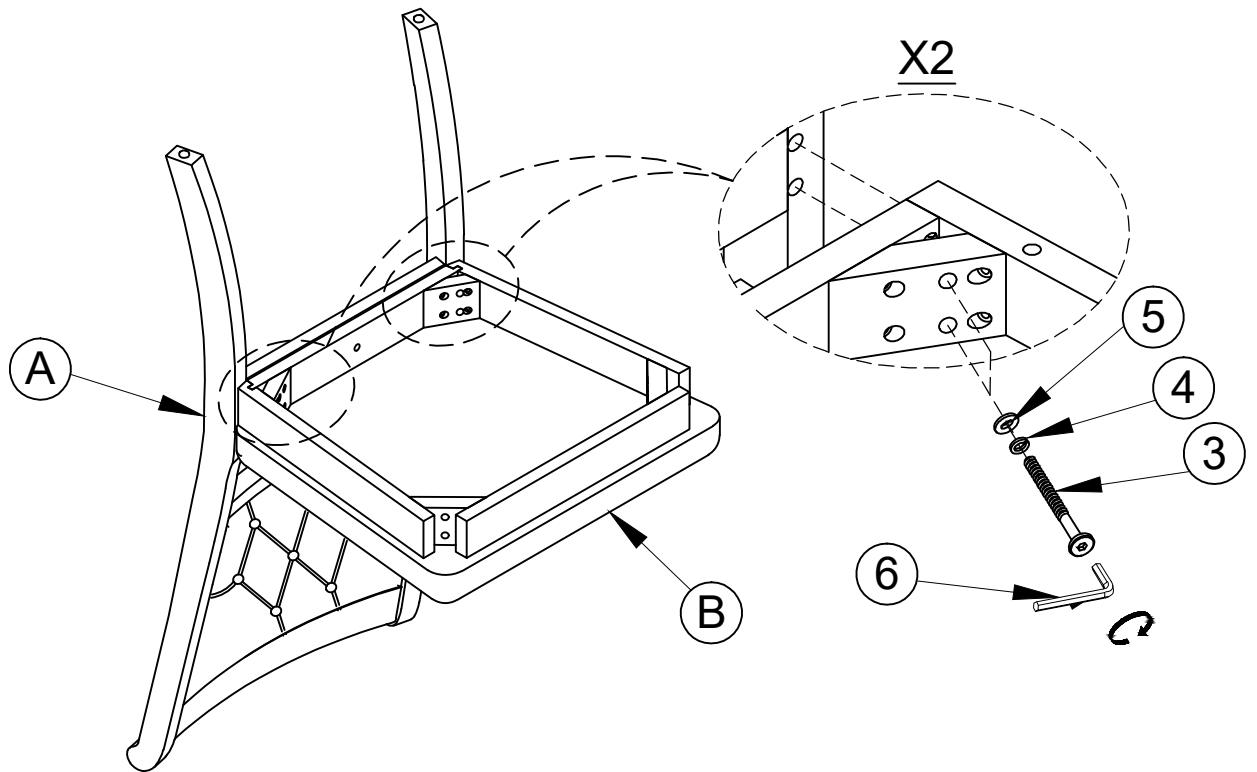
<p>(A)</p> 	<p>(1)</p>  <p>Ø 1/4" x 38mm</p>
<p>CHAIR BACK (1 PC)</p>	<p>BOLT (1 pcs)</p>
<p>(B)</p> 	<p>(2)</p>  <p>Ø 1/4" x 60mm</p>
<p>CUSHION SEAT (1 PC)</p>	<p>BOLT (4 pcs)</p>
<p>(C)</p> 	<p>(3)</p>  <p>Ø 1/4" x 75mm</p>
<p>FRONT LEGS (2PCS)</p>	<p>BOLT (4 pcs)</p>
	<p>(4)</p>  <p>Ø 1/4" x 13mm</p>
	<p>FLAT WASHER (9 pcs)</p>
	<p>(5)</p>  <p>Ø 1/4" x 19mm</p>
	<p>LOCK WASHER (9 pcs)</p>
	<p>(6)</p>  <p>4mm</p>
	<p>ALLEN KEY (1 pc)</p>

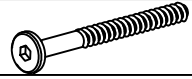



STEP 1:



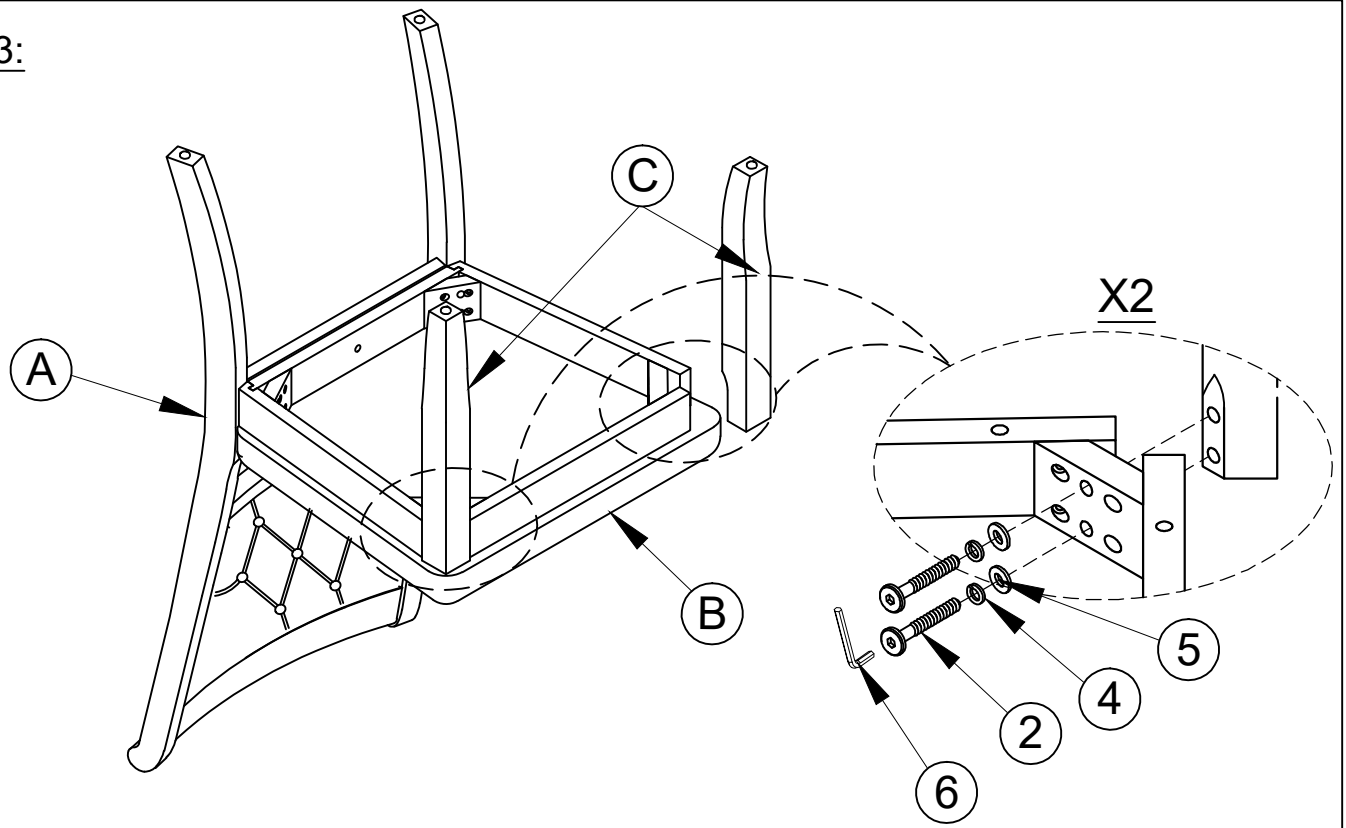
1	Ø 1/4" x 38mm		1pc	4	Ø 1/4" x 13mm		1pc
5	Ø 1/4" x 19mm		1pc	6	4mm		1pc

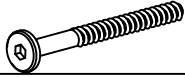


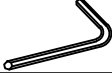
STEP 2:



3	Ø 1/4" x 75mm		4pcs	4	Ø 1/4" x 13mm		4pcs
5	Ø 1/4" x 19mm		4pcs	6	4mm		1pc

STEP 3:



2	Ø 1/4" x 60mm		4pcs	4	Ø 1/4" x 13mm		4pcs
5	Ø 1/4" x 19mm		4pcs	6	4mm		1pc

COMPLETE:

