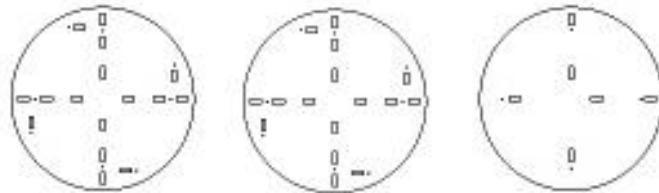


# Installation Instruction

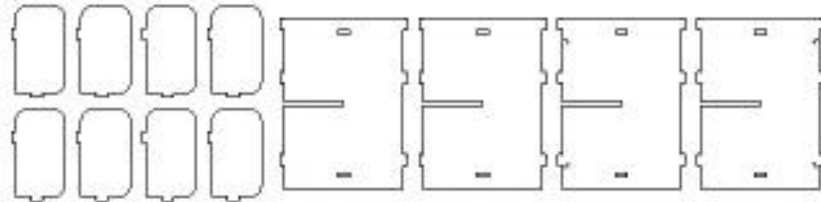
## 360° revolving bookshelf

Installation instructions

### Component list

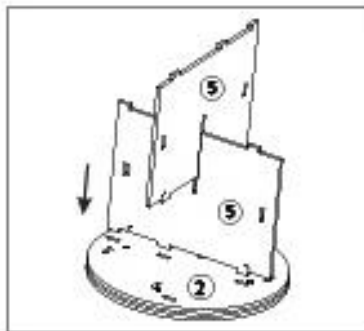


① Intermediate plate    ② Double base    ③ roof



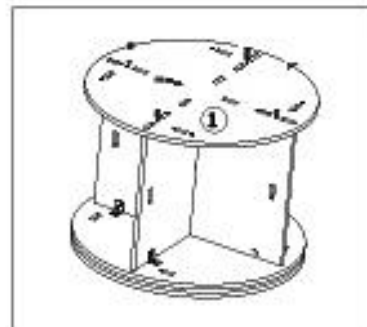
④ baffle    ⑤ Universal diaphragm

### Step description



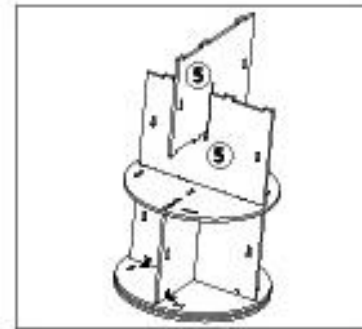
①

Place the base horizontally and insert the clapboard into the corresponding slot



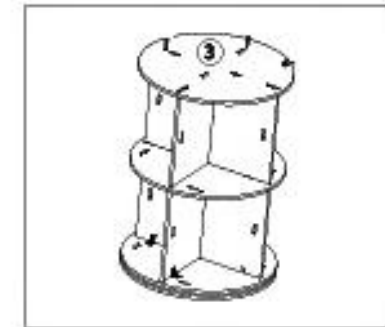
②

Insert the middle card into the slot



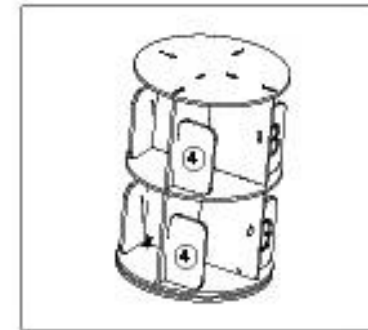
③

Insert the universal partition into the corresponding card slot



④

Cover the top plate



⑤

Insert the baffle in each layer

Note: this figure shows two-layer assembly, such as three-layer, four layer, five layer, please continue to 234 steps assembly