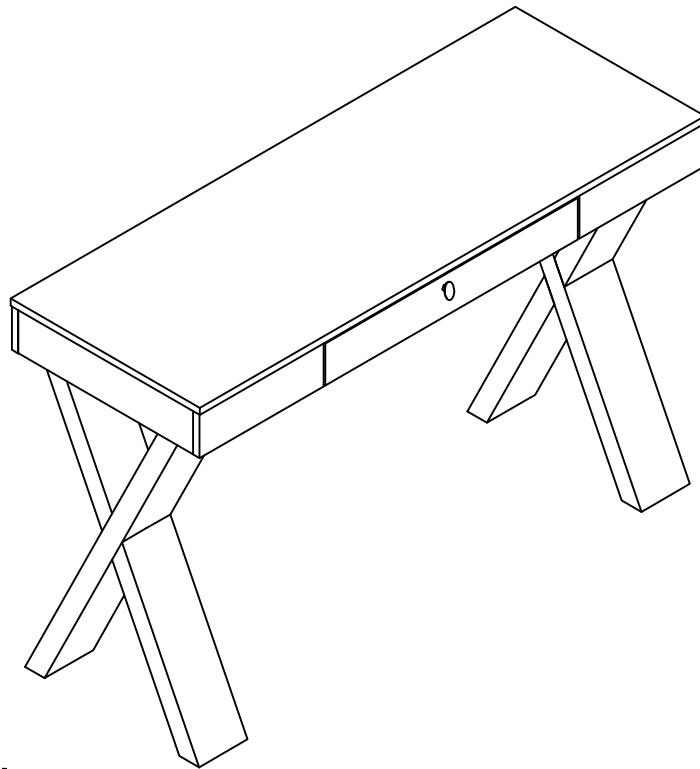


CONVENIENCE

NEWPORT DESK



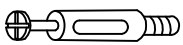


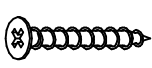


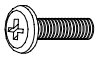

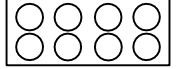



Assembly instructions

We have designed our furniture with you, the customer in mind. Our clear, easy to follow, step by step instructions will guide you through the project from start to finish. Feel confident that this will be a fun and rewarding project. The final product will be a quality piece of furniture that will go together smoothly and give years of enjoyment.

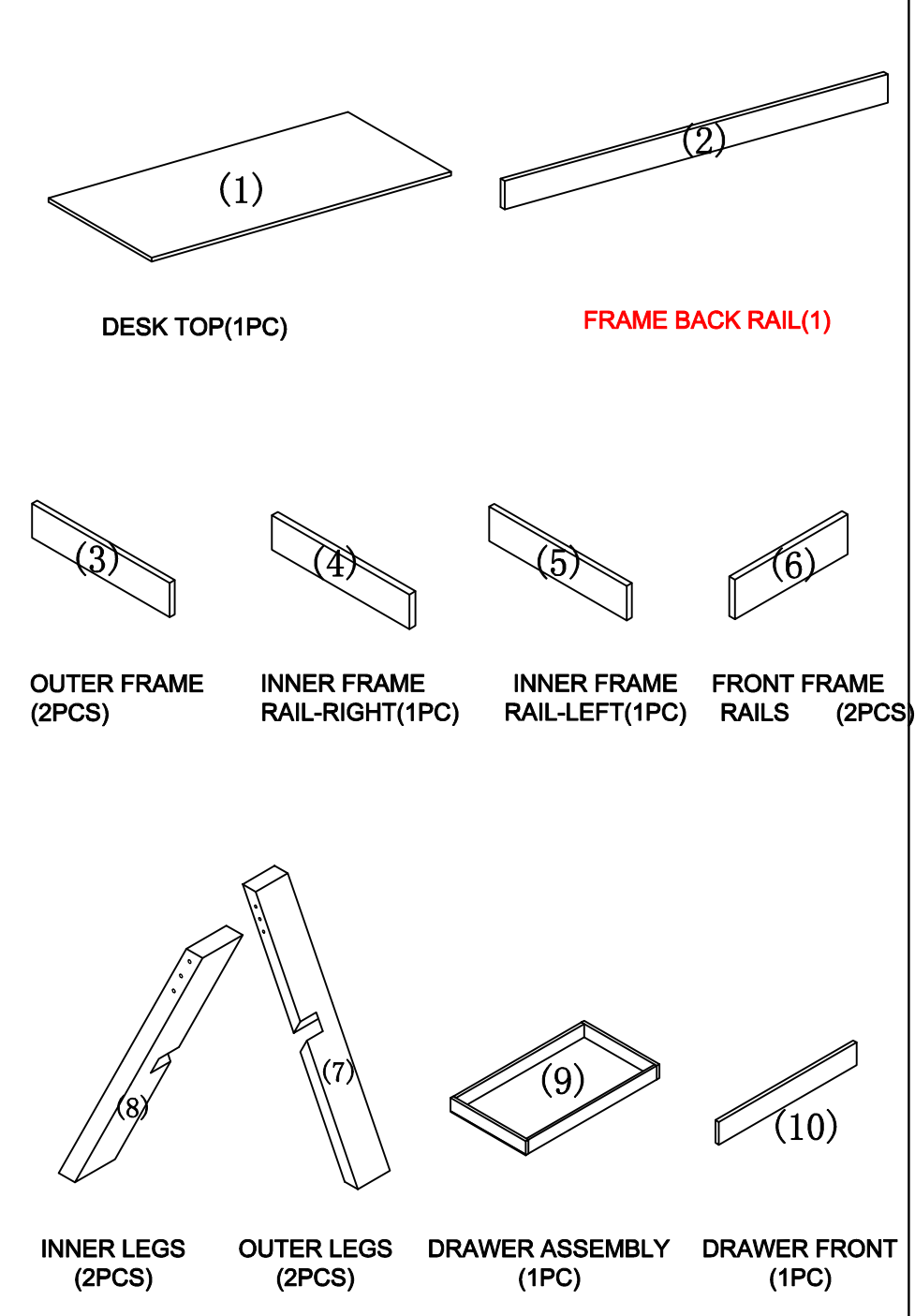


Please do not return to the store
Broken or missing Hardware?
Need help with assembly?

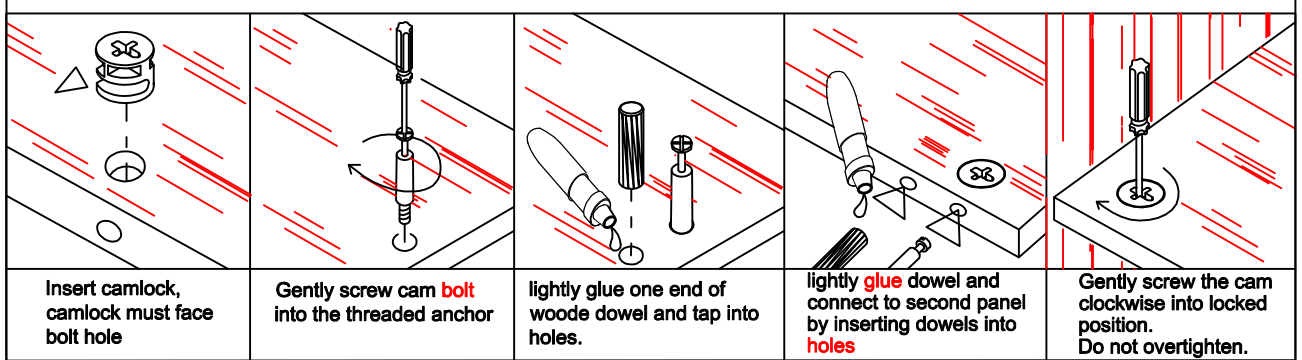
Hardware List

(A)	
CAMBOIT(23PCS)	
(B)	
CAMLOCK(23PCS)	
(C)	
DOWEL(20PCS)	
(D)	
LONG SCREW(3PCS)	
(E)	
SHORT SCREW(16PCS)	
(F)	
BRACKET(4PCS)	
(G)	
PHILLIPS HEAD BOLT(8PCS)	
(H)	
FOOFPIN(4PCS)	
(I)	 RC
STICKERS(8PCS)	
(J)	
HANDLE(1PC)	
(K)	
HANDLE SCREW(1PC)	
(L)	
GLUE(1PC)	

Part List

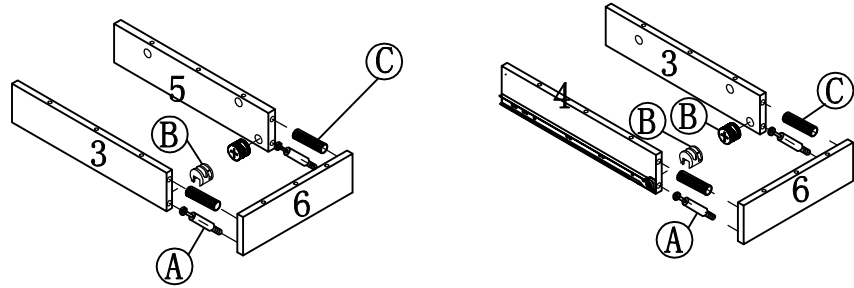


Assembling the unit with camlocks and wood dowels.



Step 1

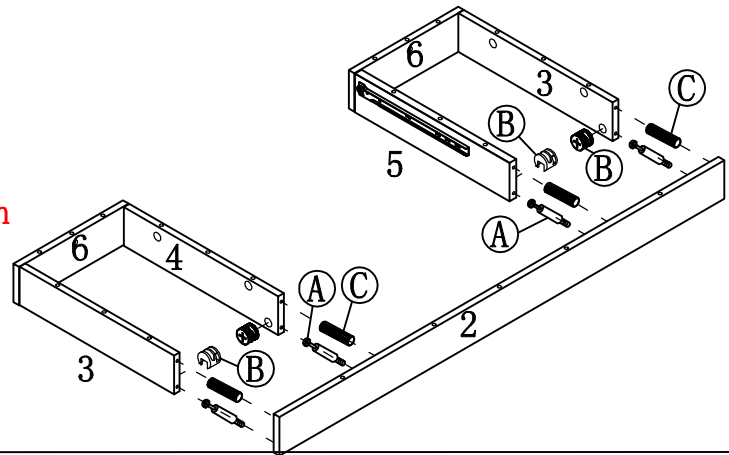
1. Screw cambolts (A) and insert dowels (C) into front frame rails (6).
2. Attach front frame rails (6) to outer (3) and inner (4) and (5) frame rails, using care not to overtighten camlocks.



NOTE:
*REFER TO PAGE 3 FOR CAMLOCK INSTRUCTIONS.

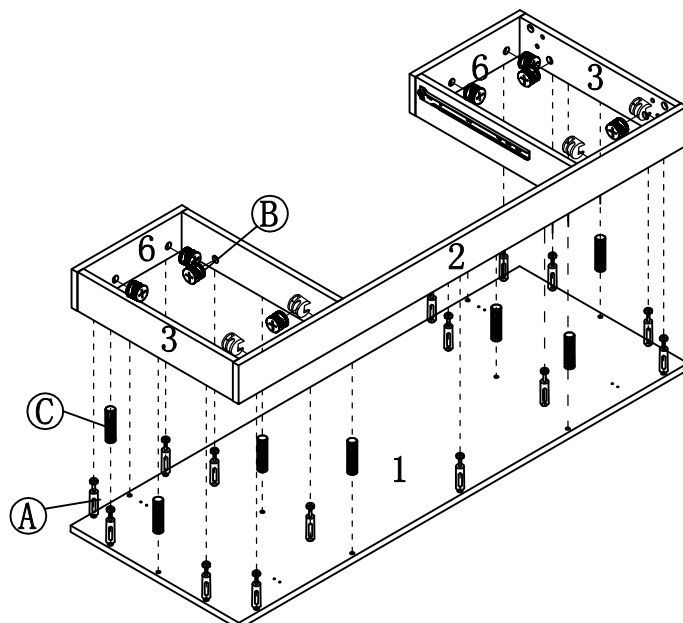
Step 2

1. Screw cambolts (A) and insert dowels (C) into frame back rail (2).
2. Connect frame back rail (2) to frame assemblies and gently tighten camlocks.



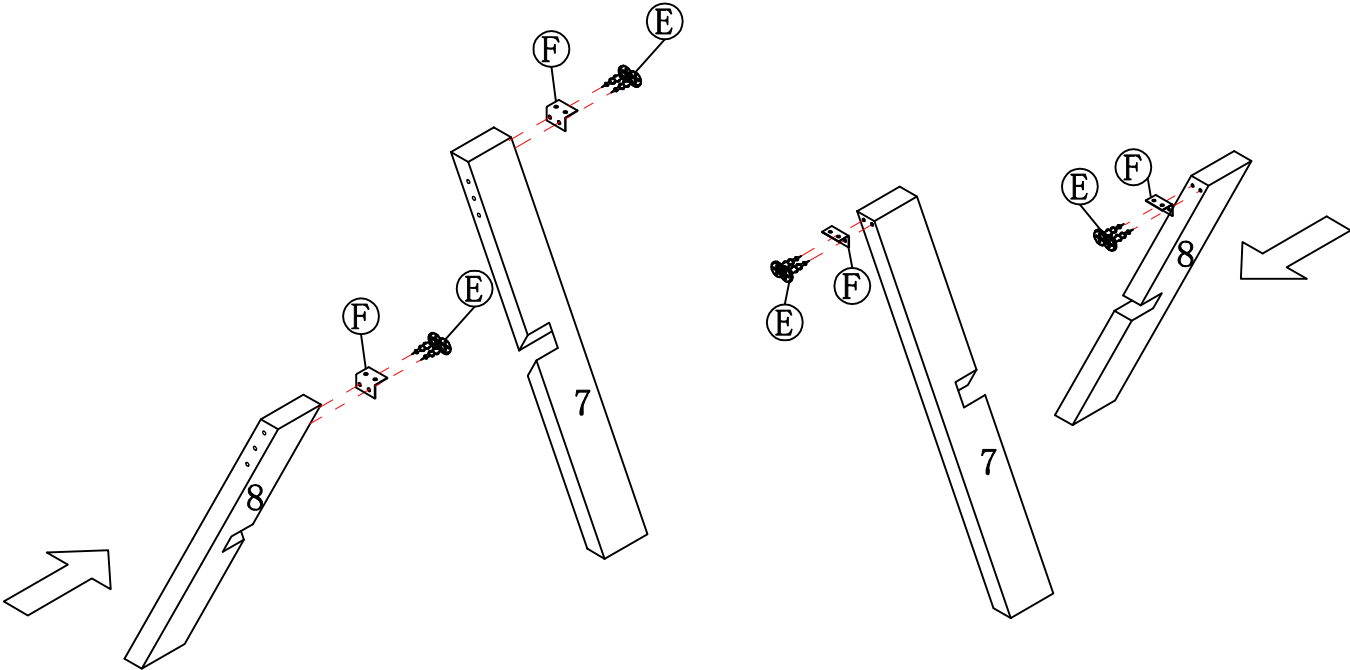
Step 3

1. Place desk top (1) upside down on a soft surface.
2. Screw cambolts (A) and insert dowels (C) into desk top (1).
3. Place frame assembly onto desk top (1) and tighten camlocks.



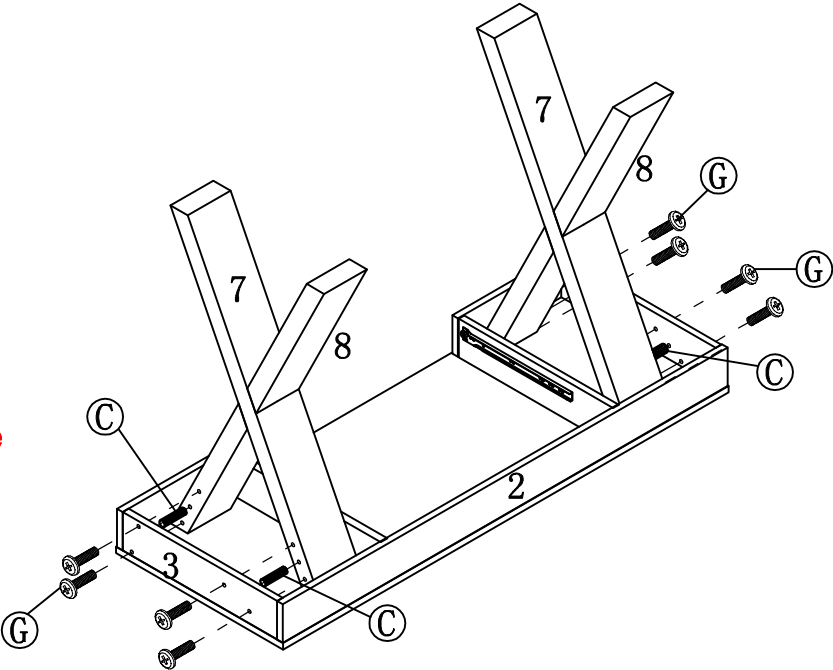
Step4

- 1. Connect outer legs (8) to inner legs (7).
- 2. Attach brackets (F) to tops of legs as shown (Flat parts of brackets face up) using short screws (E).



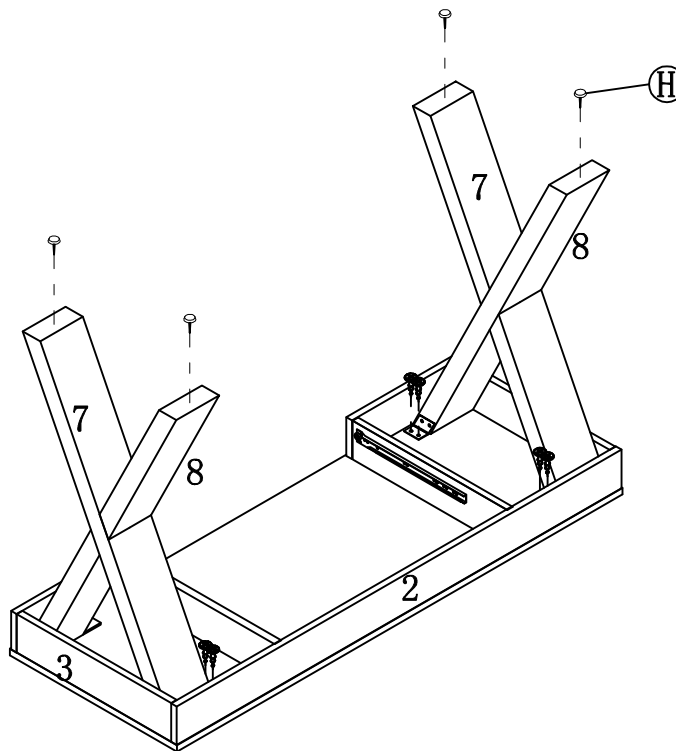
Step5

- 1. Insert dowels (C) into leg assemblies.
- 2. Fasten leg assemblies to desktop using philips head bolts (G).
- 3. Brackets will be on inside of Desk in contact with top.



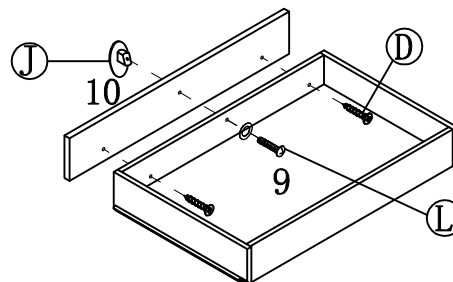
Step6

1. Screw brackets into desk top with short screws (E) .
2. Gently tap foot pins (H) into legs.



Step7

1. Attach handle (J) to drawer front (10) using handle screw (L) .
2. Fasten drawer front (10) to drawer assembly (9) using long screws (D).



Step8

1. Carefully insert drawer into desk.
2. Enjoy your new desk.

