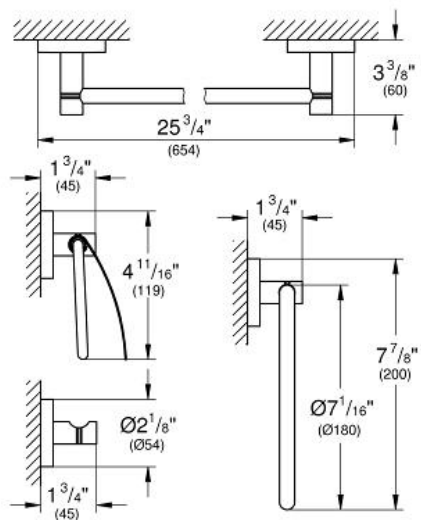


ESSENTIALS  
MODEL # 40776001

Pure Freude an Wasser



GROHE America, Inc | 200 North Gary Avenue, Suite G, Roselle, IL 60172  
Phone: +1 (800) 444-7643 | Fax: +1 (800) 225-2778 | us-customerservice@grohe.com



**Product Description:**

**Standard Specification:**

- Material: metal
- Towel ring (40 365 001)
- Robe hook (40 364 001)
- Toilet paper holder with cover (40 367 001)
- 24" towel rail (40 366 001)
- Concealed fastening
- **GROHE StarLight®** finish

**Color:**

- 40776001 001 chrome