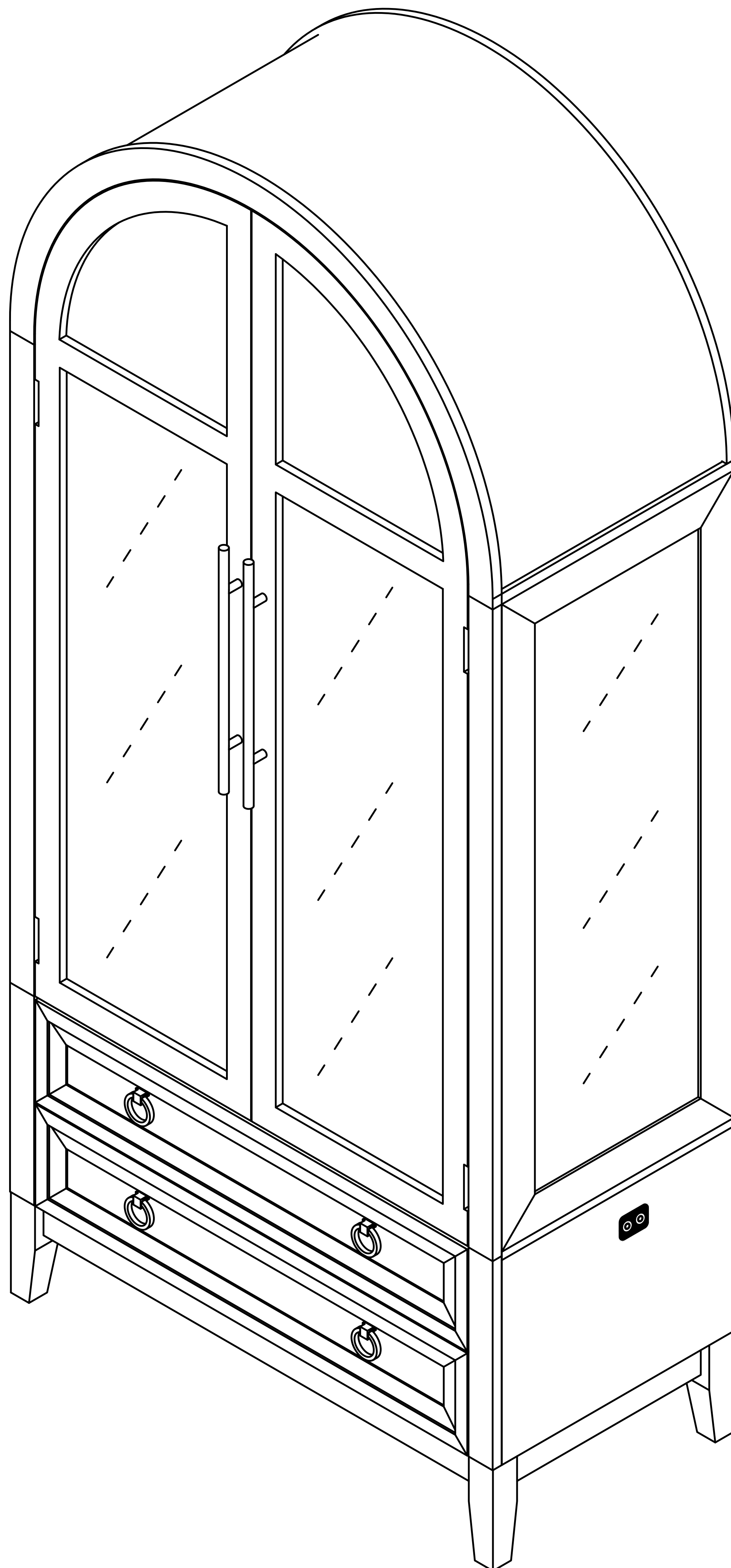
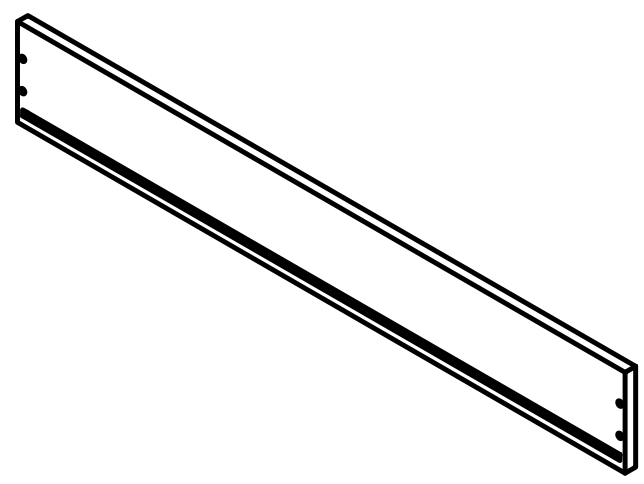
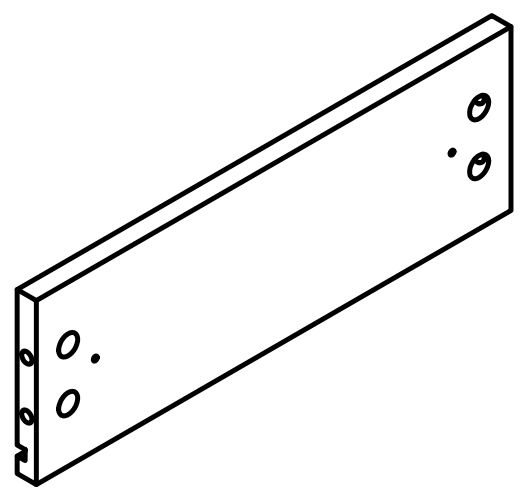


Product Installation Instructions

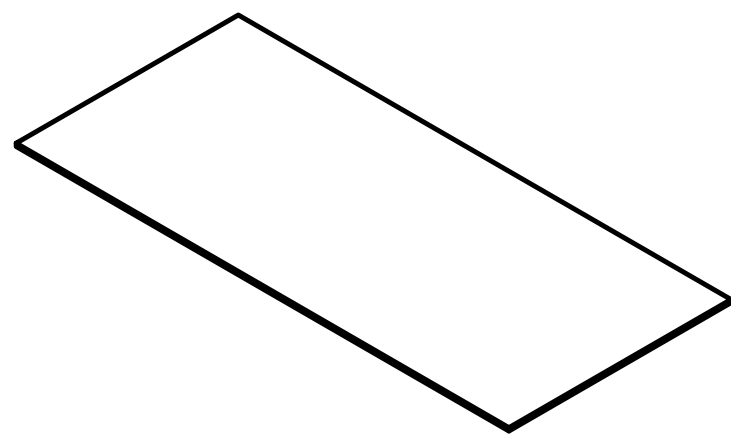




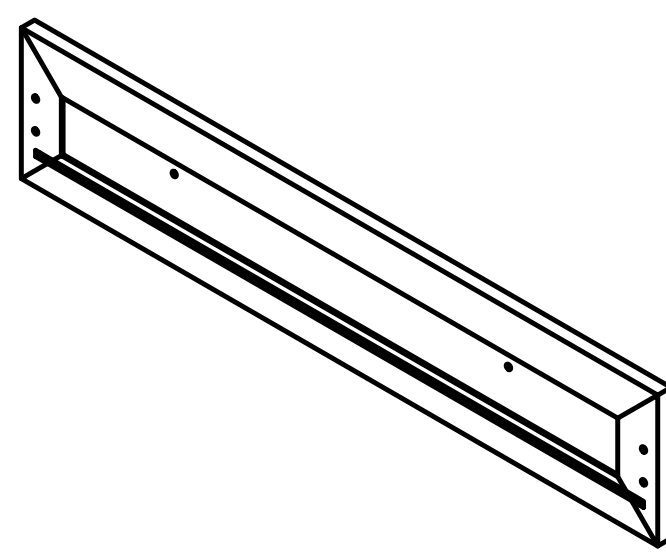
1x2



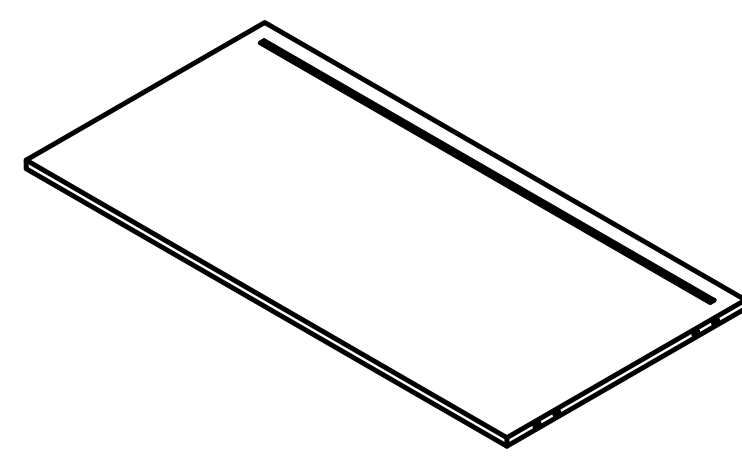
2x4



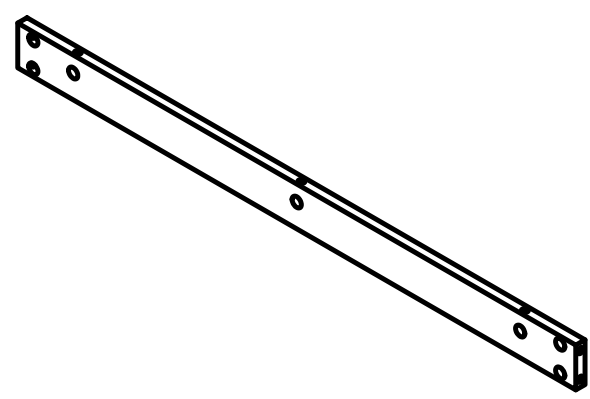
3x2



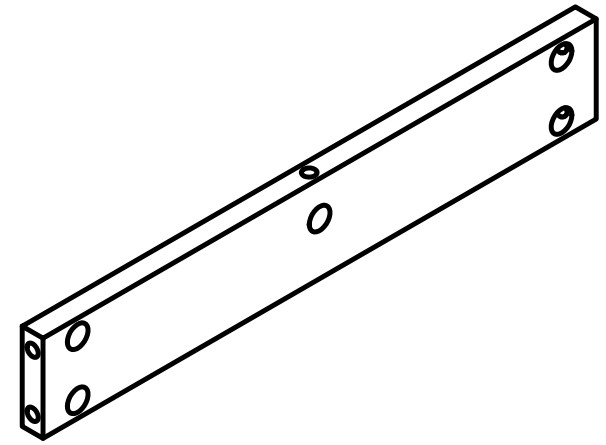
4x2



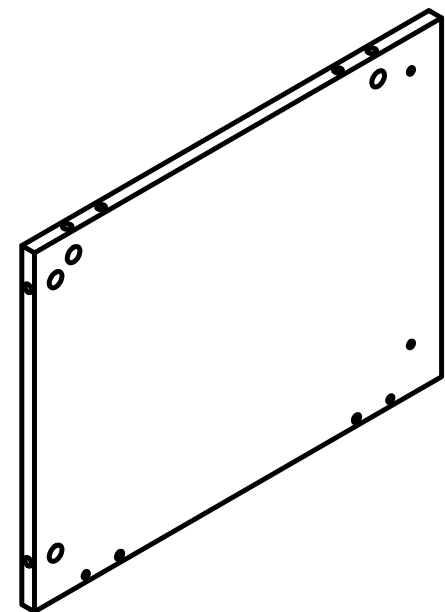
5x1



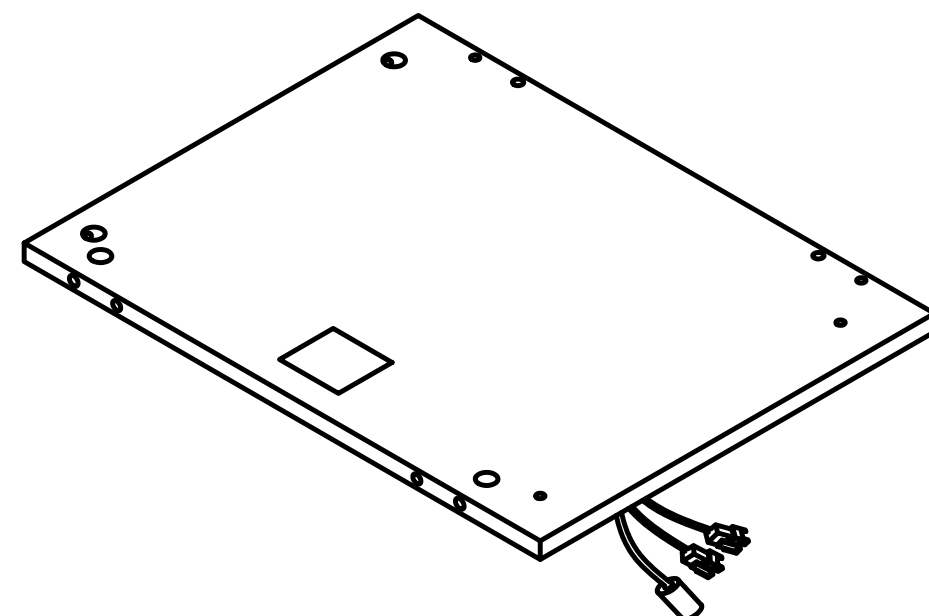
6x2



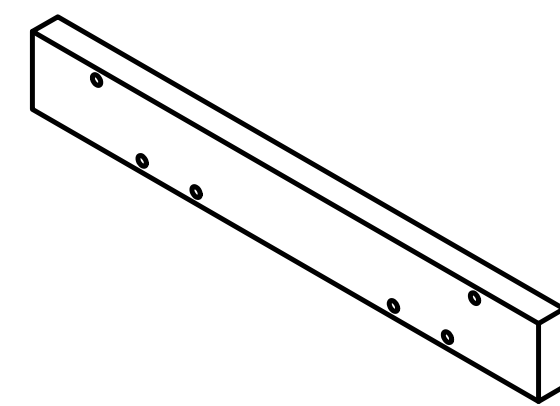
7x2



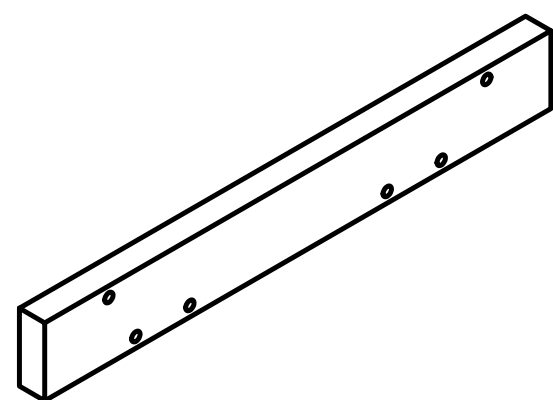
8x1



9x1



10x1



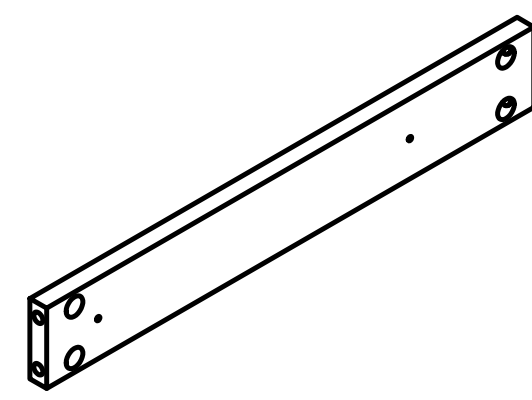
11x1



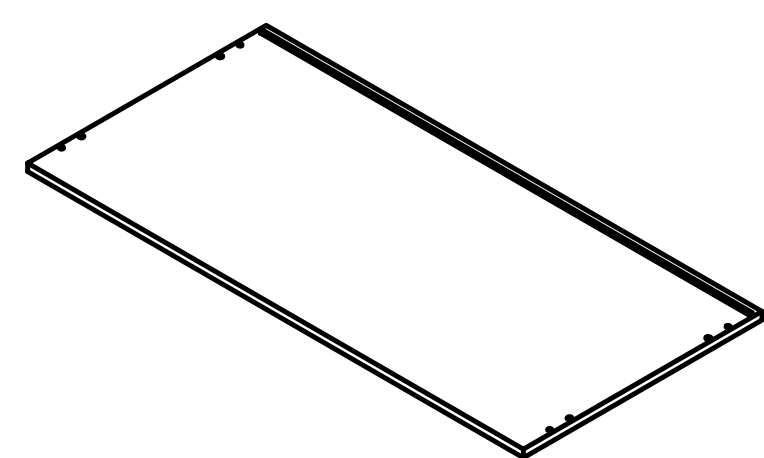
12x1



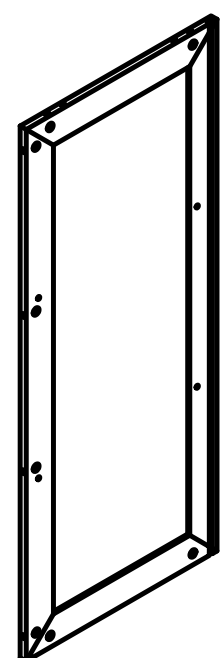
13x1



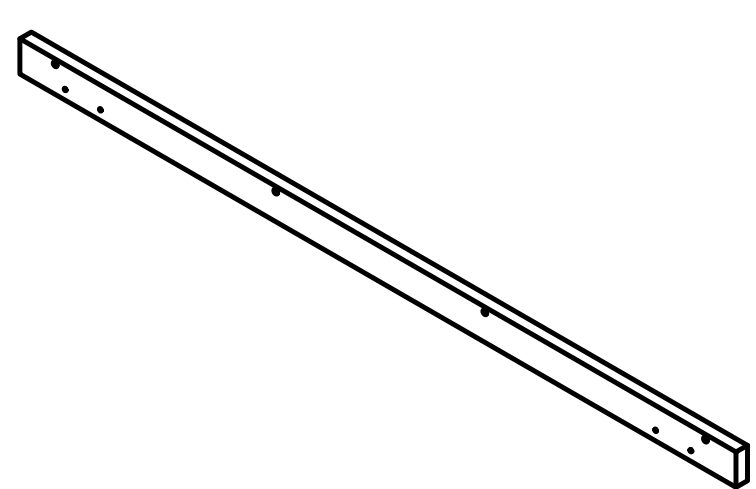
14x4



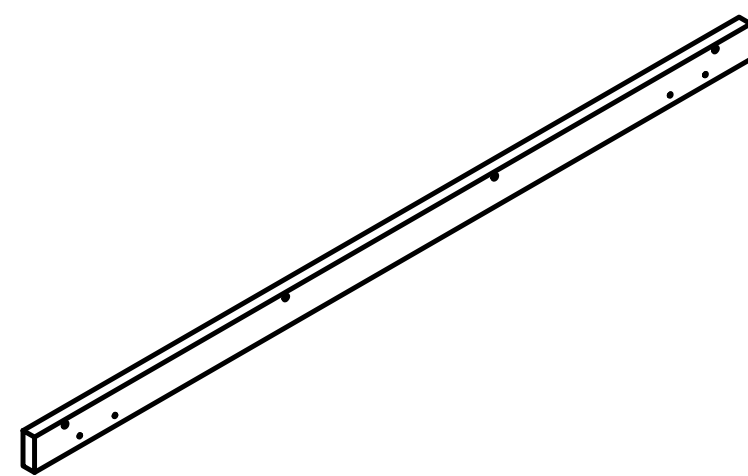
15x1



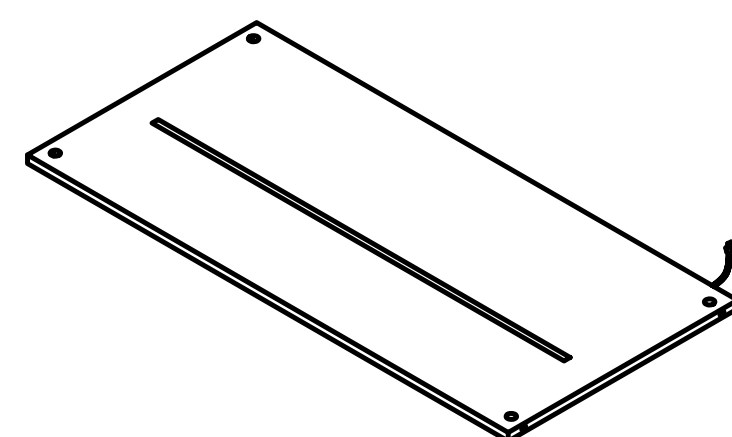
16x2



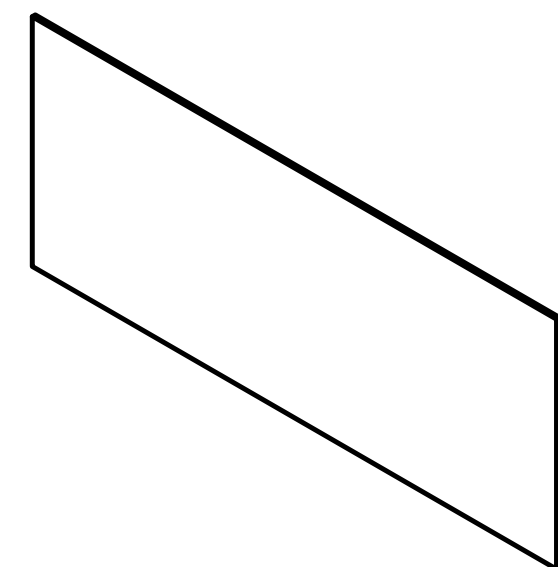
17x1



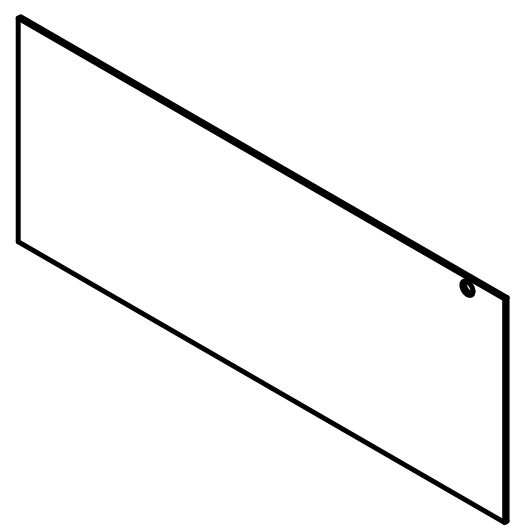
18x1



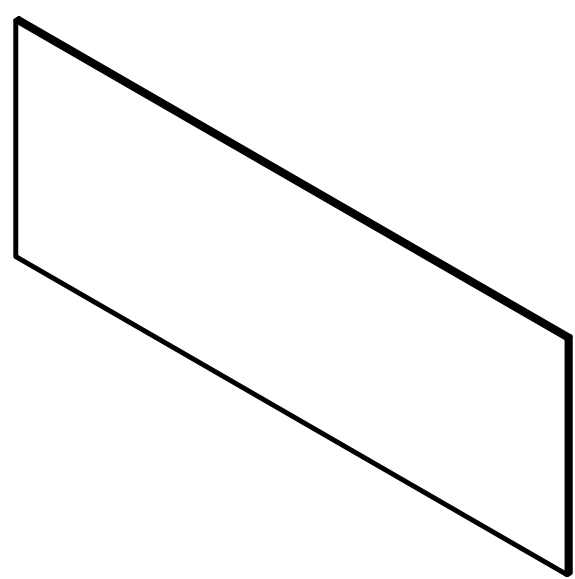
19x2



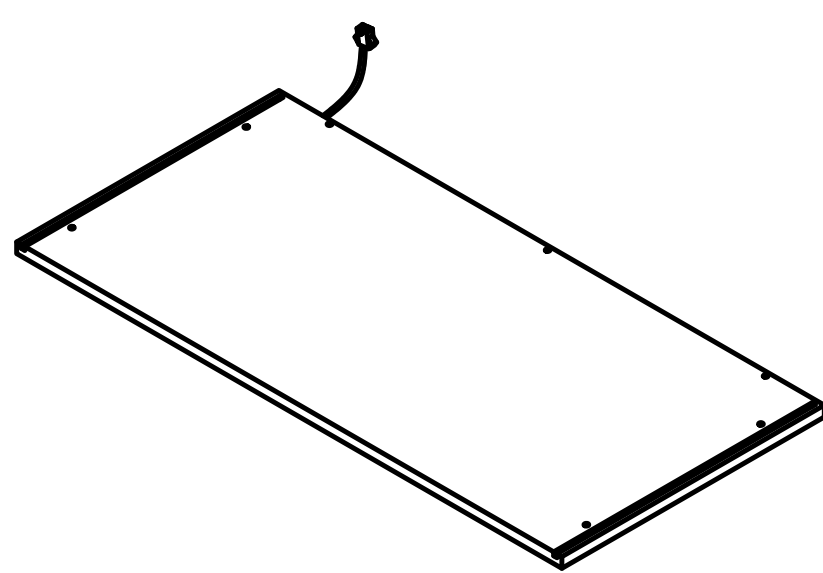
20x1



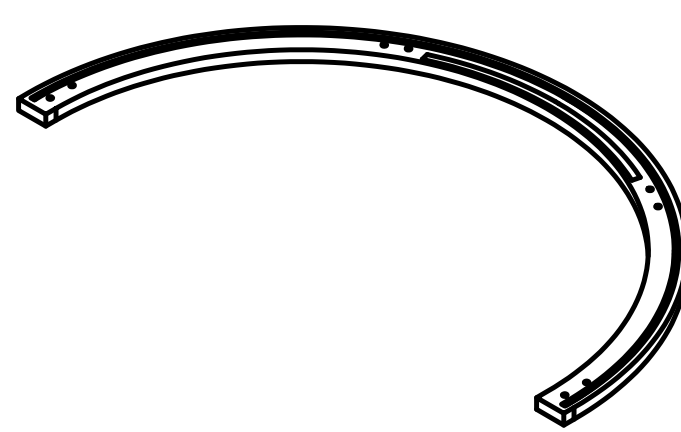
21x2



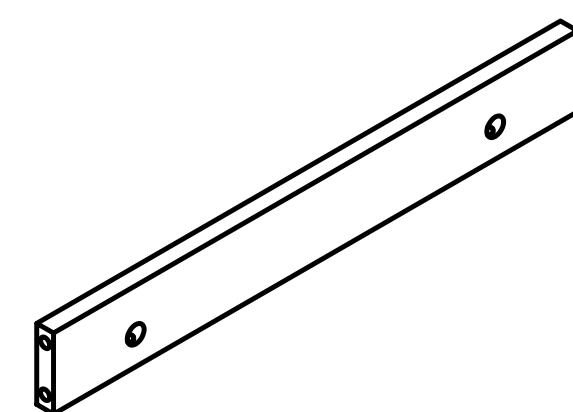
22x1



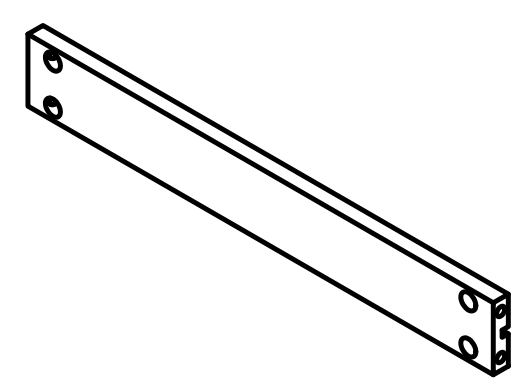
23x1



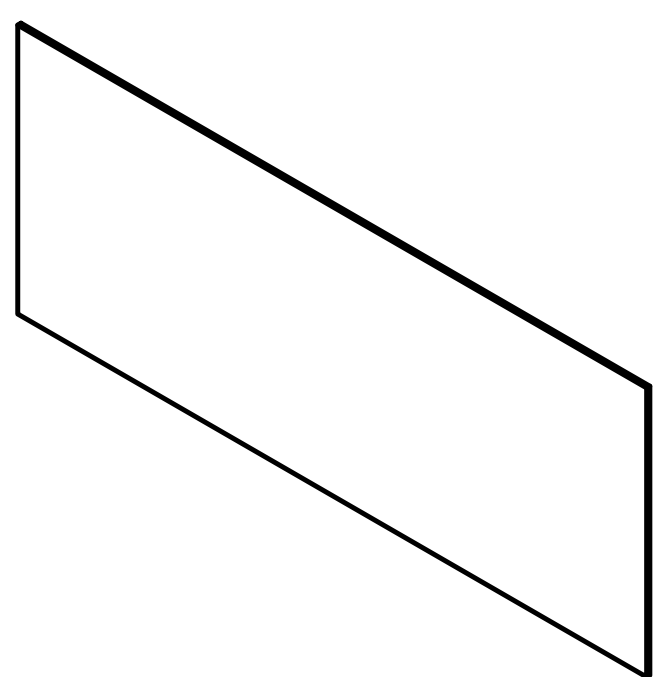
24x1



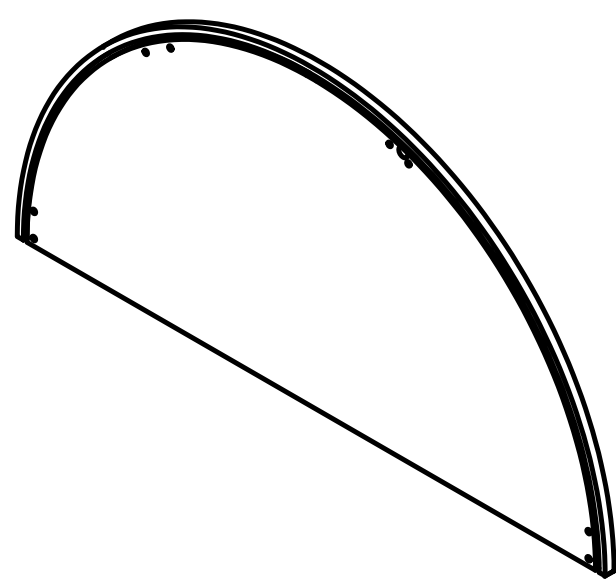
25x2



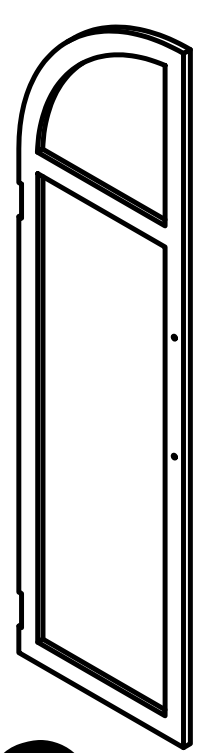
26x1



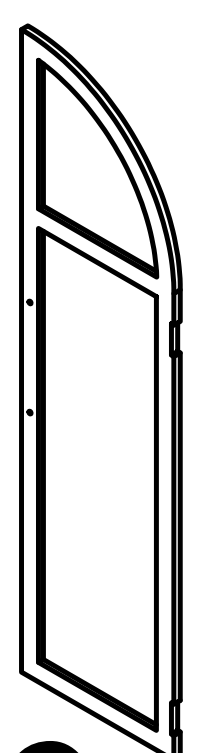
27x1



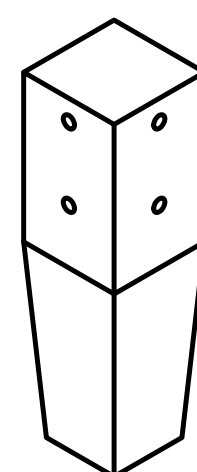
28x1



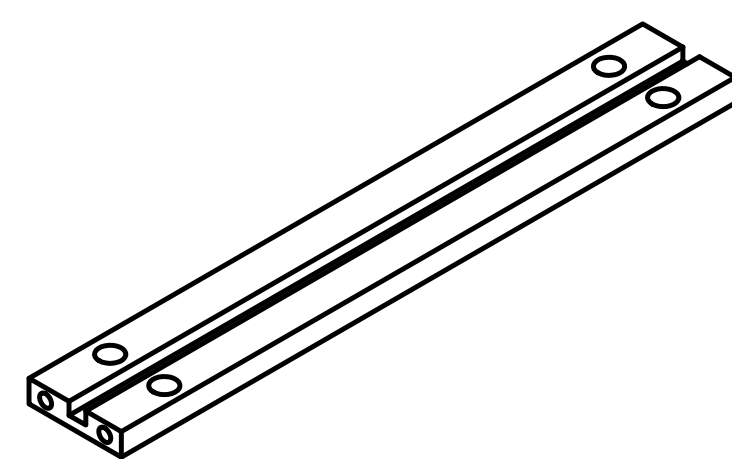
29x1



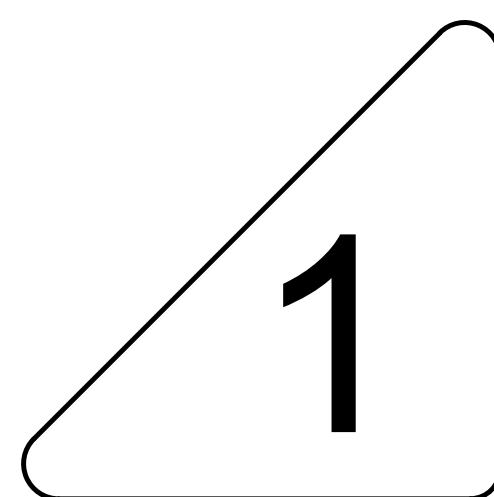
30x1



31x4

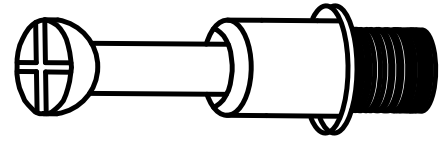
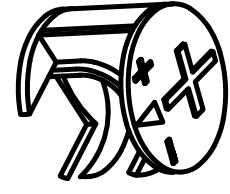
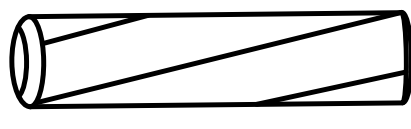
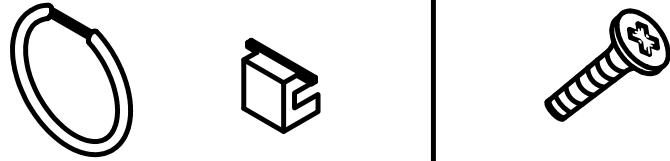
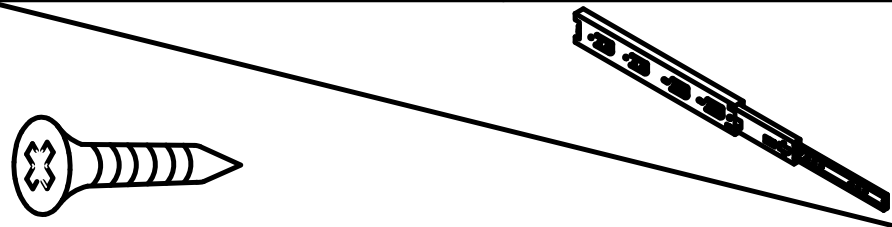
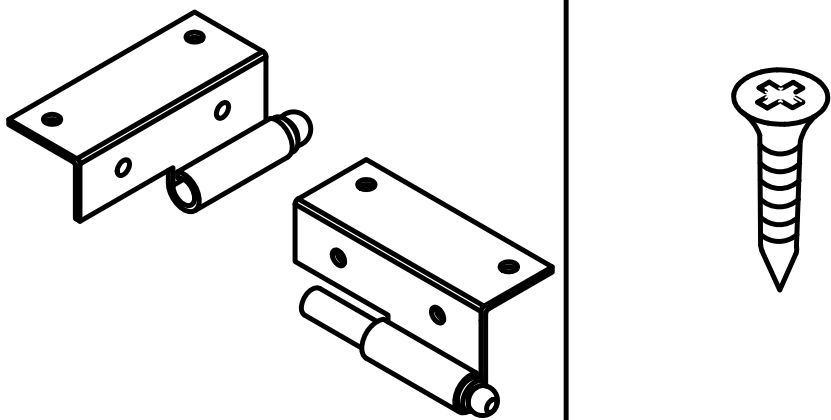
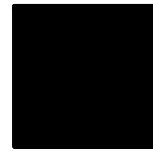
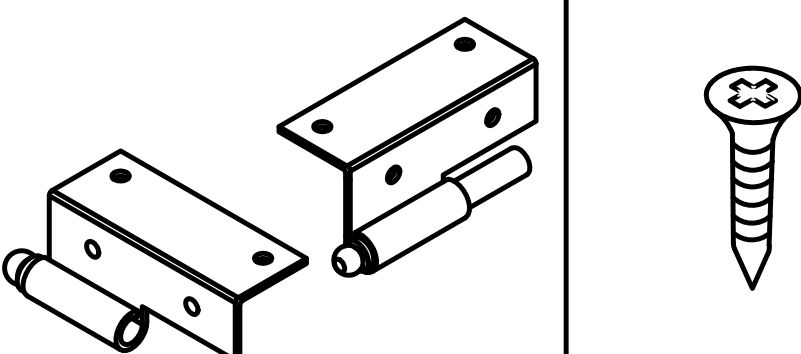

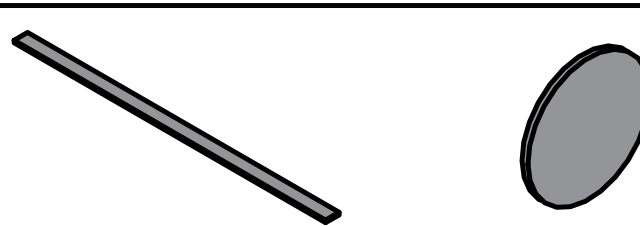
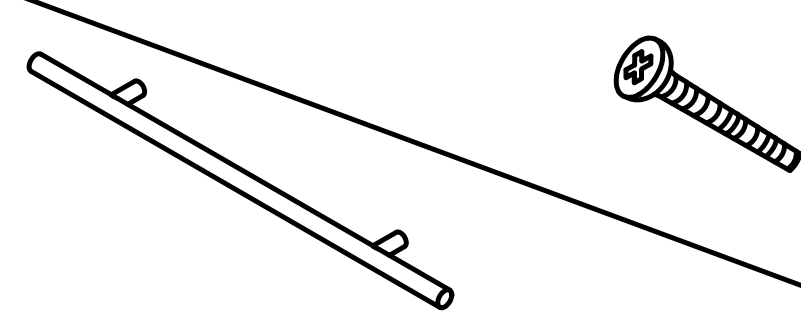
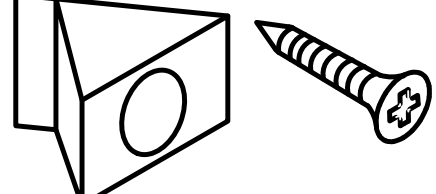
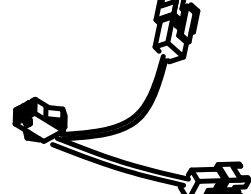

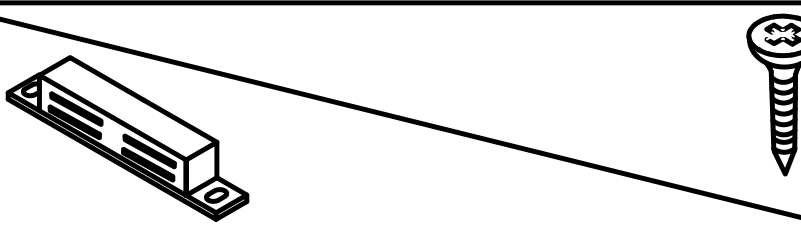
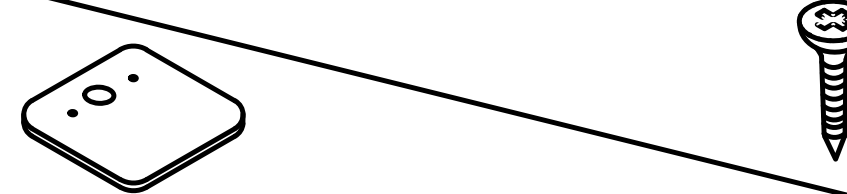

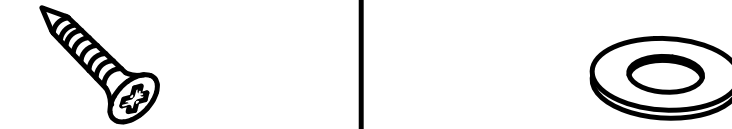
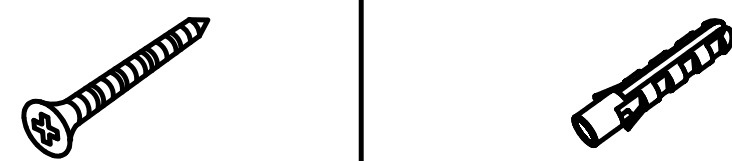
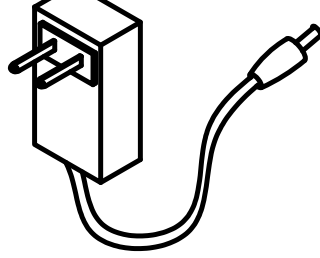
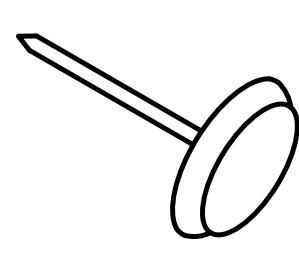
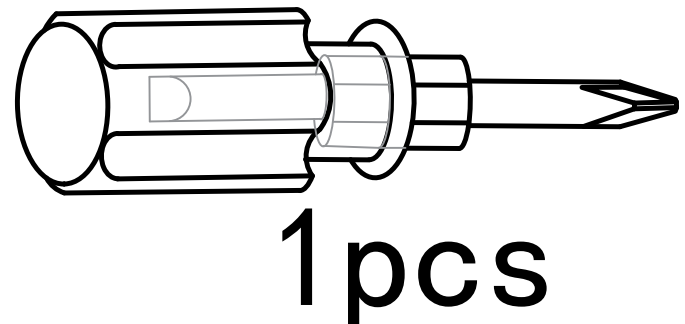
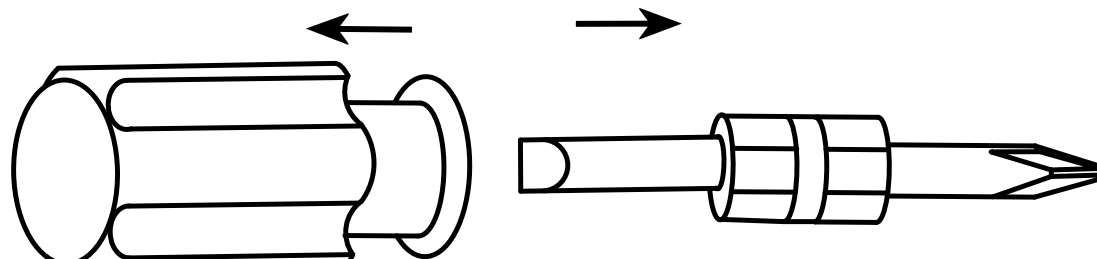



32x1

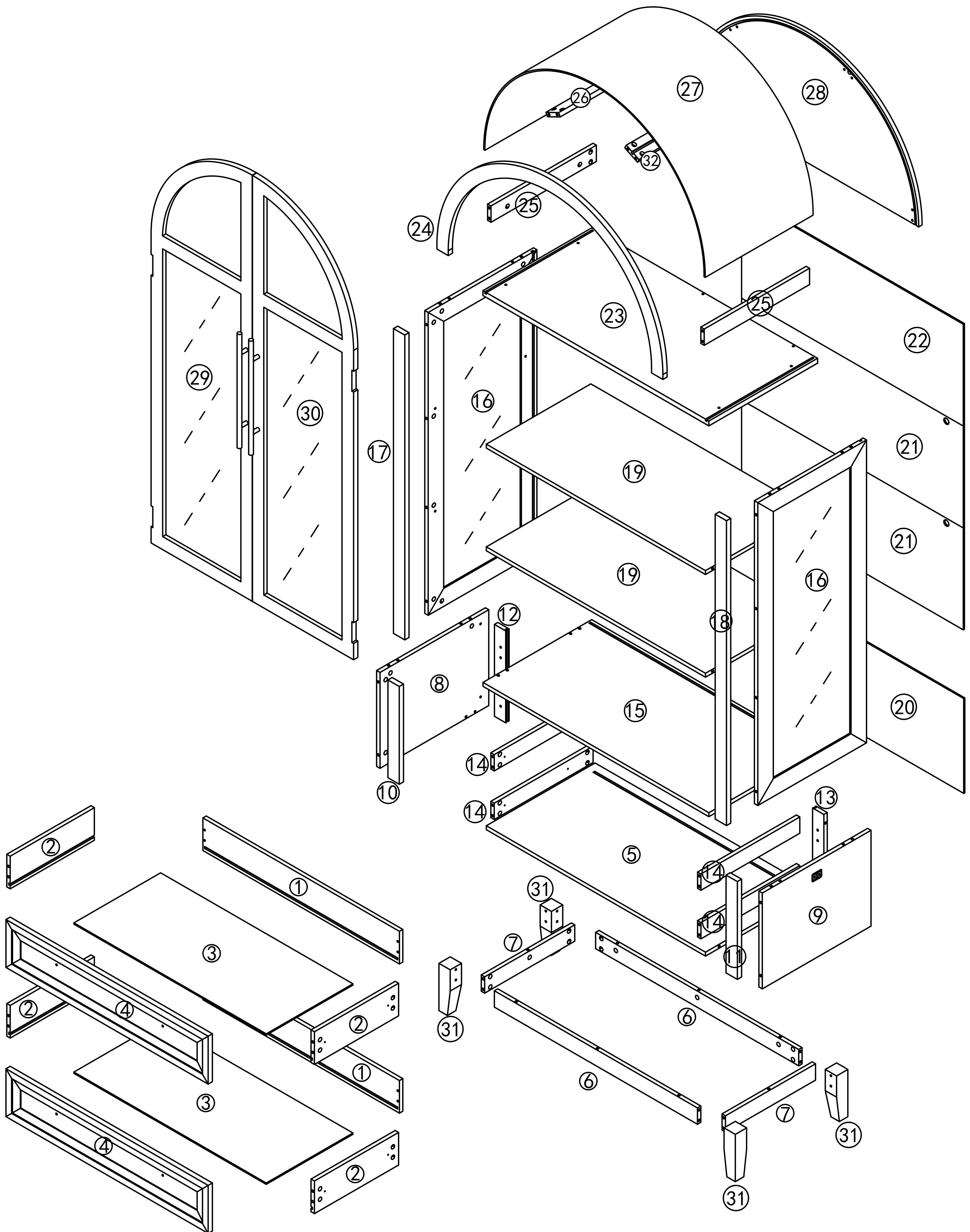


1

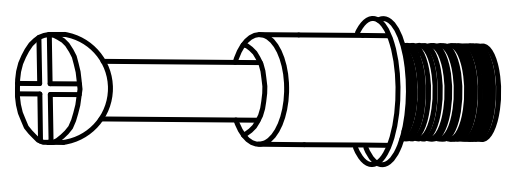
Accessories list

A		Two in one screw (6x28mm)	119pcs +6pcs	
B		Two in one nut (10x12mm)	119pcs +6pcs	
C		Wood chipping (6x30mm)	16pcs +4pcs	
D		Pull loop handle (4x8mm)	4pcs	4pcs +1pcs
E		Screw & Guide (3x12mm)	20pcs +4pcs / 4pcs	
F		Hinge & Screw (3.5x12mm)	2pcs	16pcs +2pcs
G		Non-slip pads	4pcs	
H		Hinge & Screw (3.5x12mm)	2pcs	16pcs +2pcs
I		Wire	1pcs	
J		Sticker (φ 20mm)	1pcs	4pcs +2pcs
K		Arch handle & Screw (4x22mm)	2pcs / 4pcs	
L		Fixing Clip & Screw (3x16mm)	16pcs +1pcs	
M		Forked line	2pcs	
N		Wire Clamp	5pcs +1pcs	
O		Door Magnet & Screw (3x12mm)	1pcs	2pcs +1pcs
P		Iron Sheet & Screw (3x10mm)	2pcs	2pcs +1pcs
Q		anti-tipping tape	1pcs	
		Screw & gasket (3.5x14mm)	1pcs	2pcs
		Screw (4x45mm)	1pcs	1pcs
		AC/DC Adapter (12V=3.0A)	1pcs	
R	 4pcs	Double-head screwdriver, use as required		
	 1pcs			

Product structure decomposition

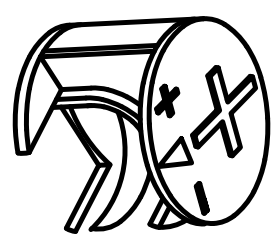


A



16pcs

B

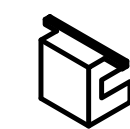


16pcs

D



4pcs

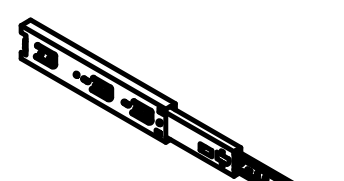


4pcs

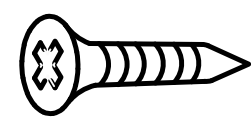


4pcs

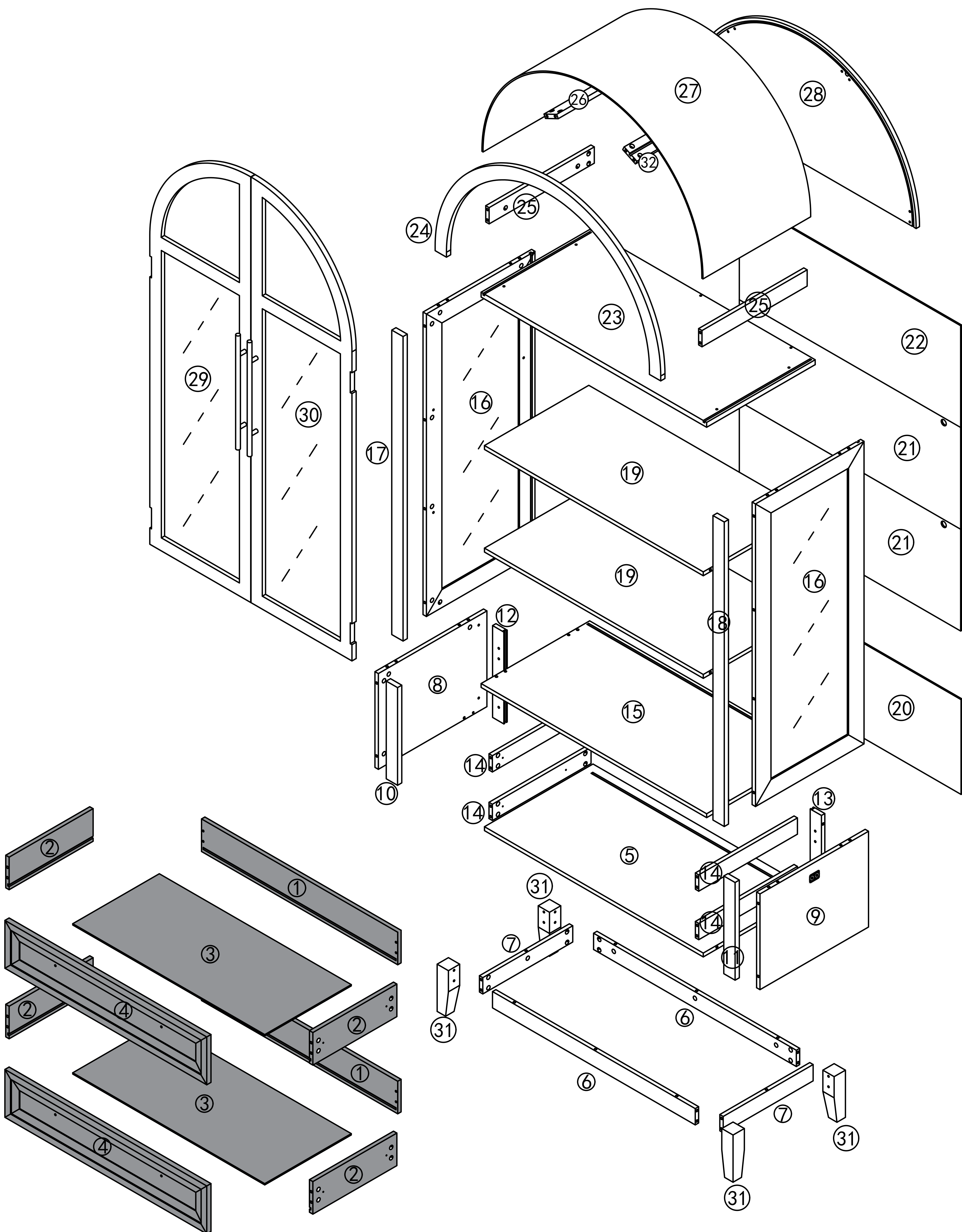
E



4pcs

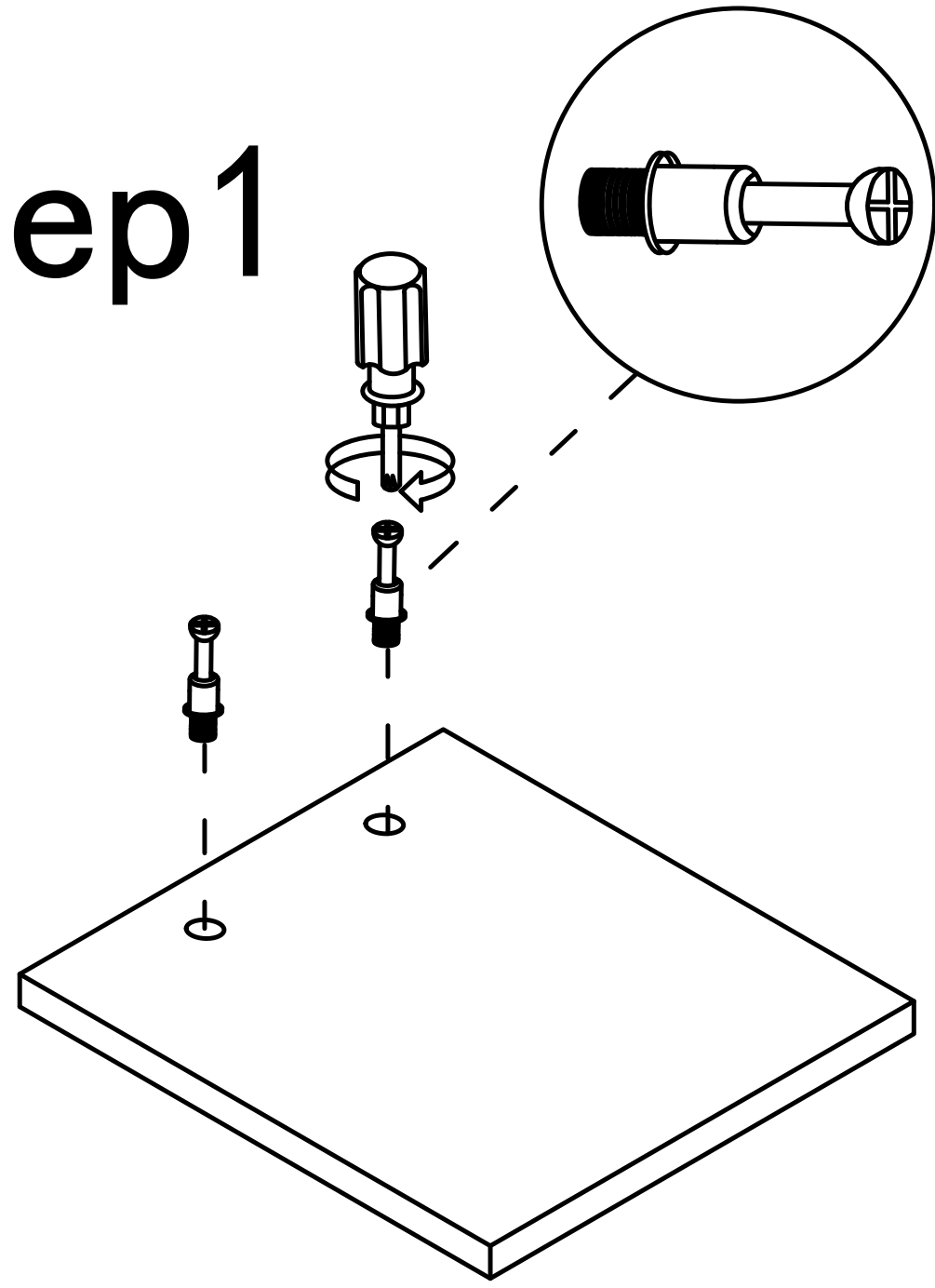


8pcs

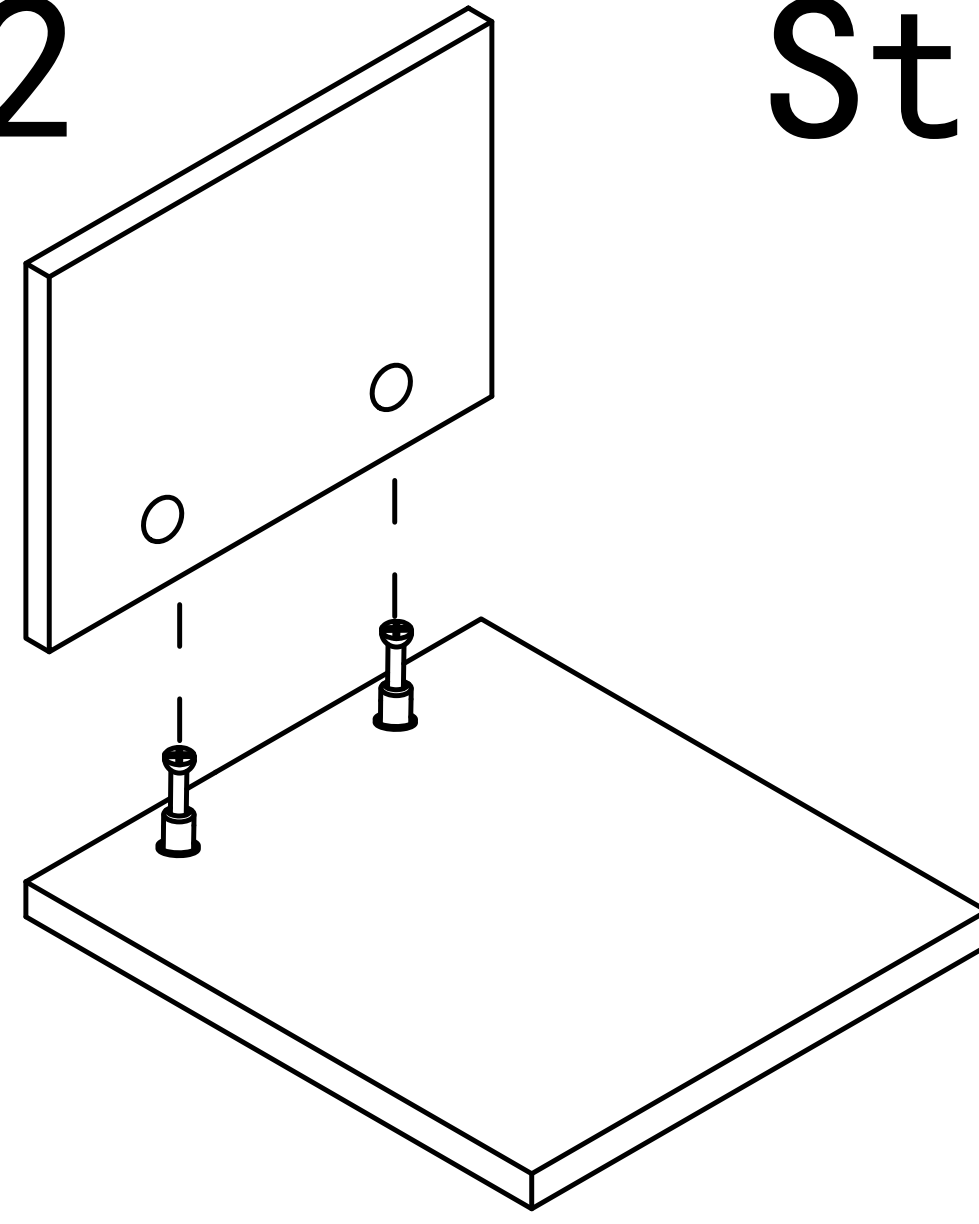


Use parts A and B

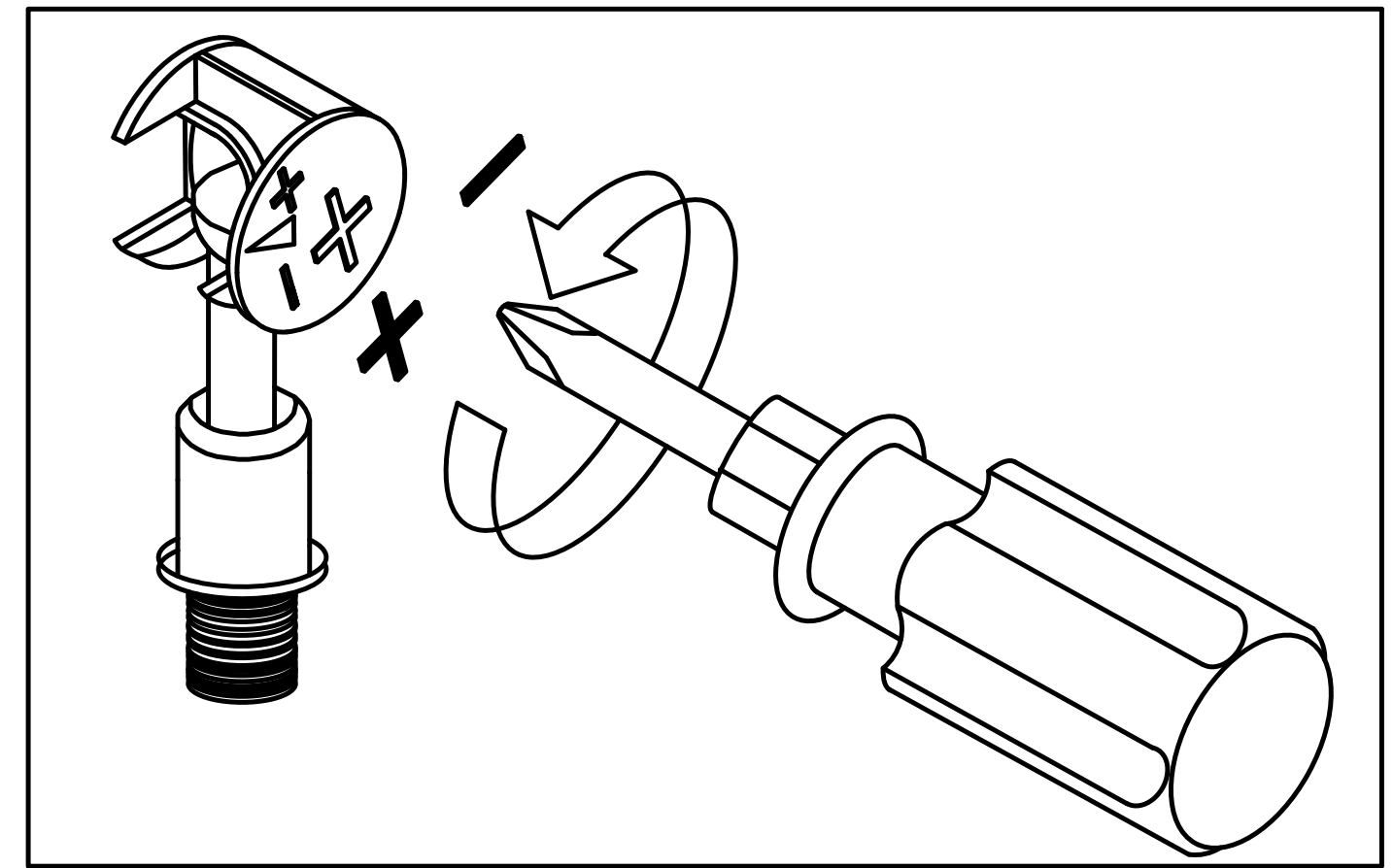
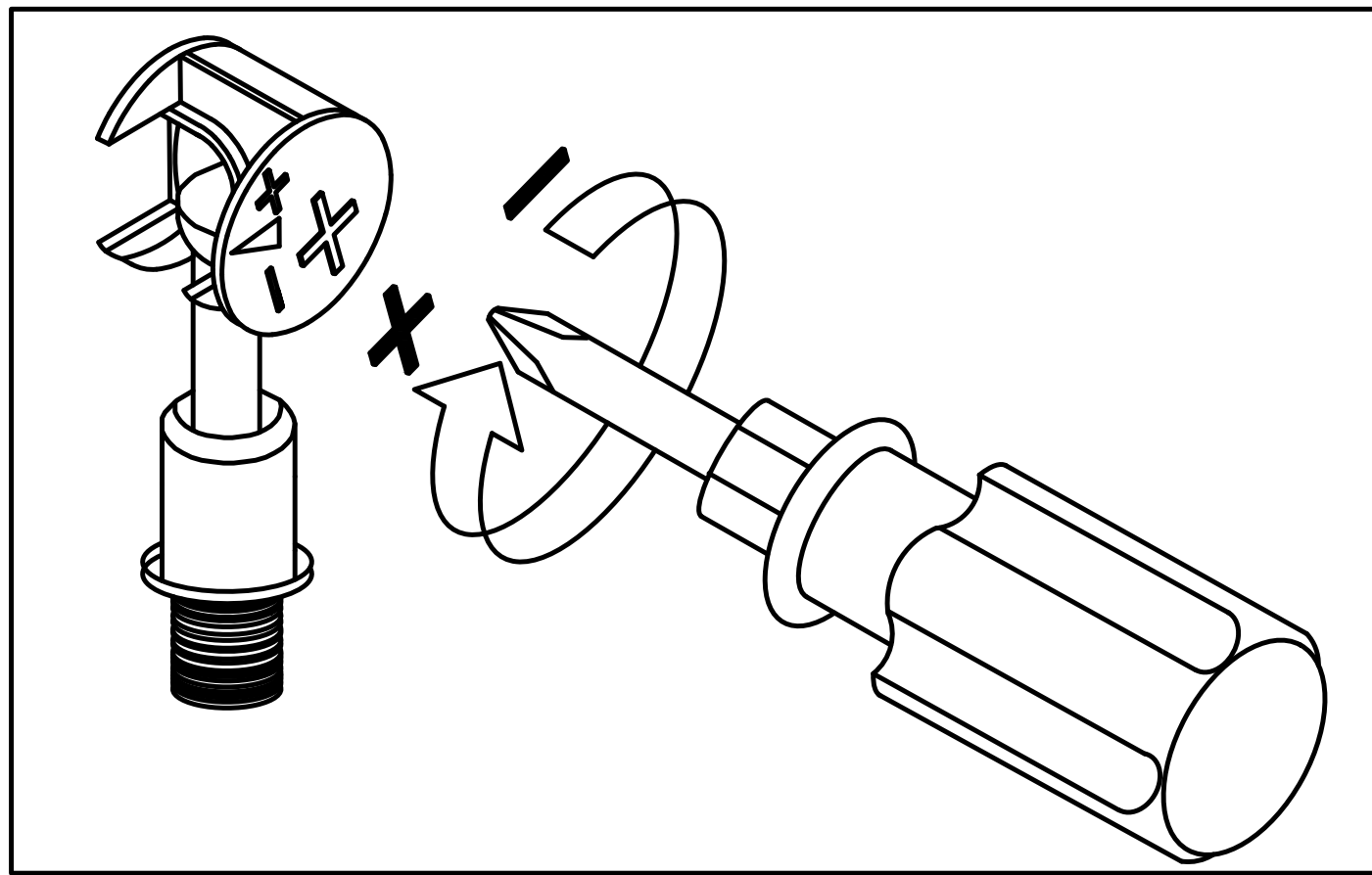
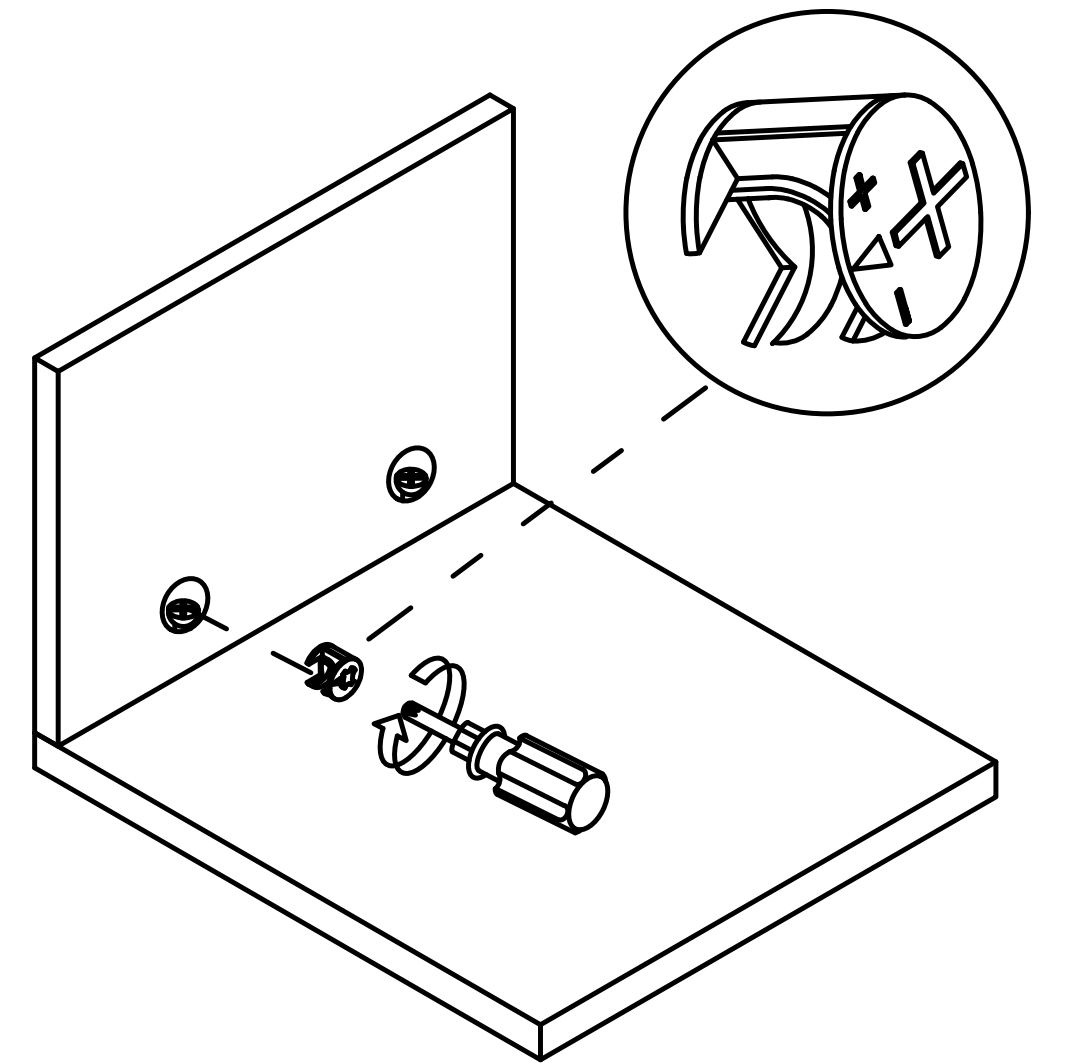
Step1



Step2



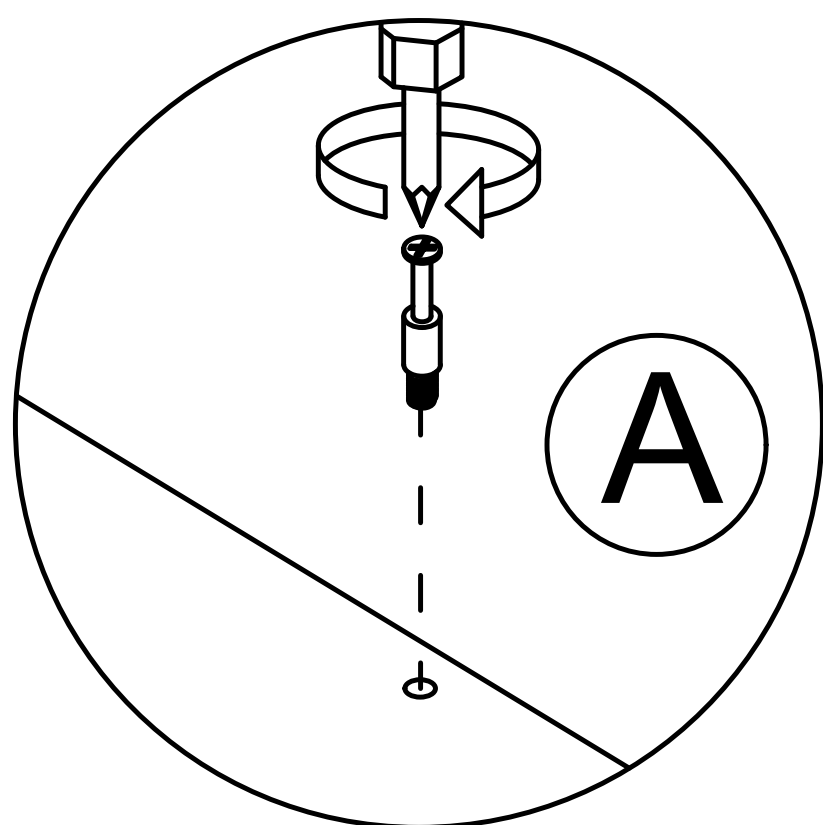
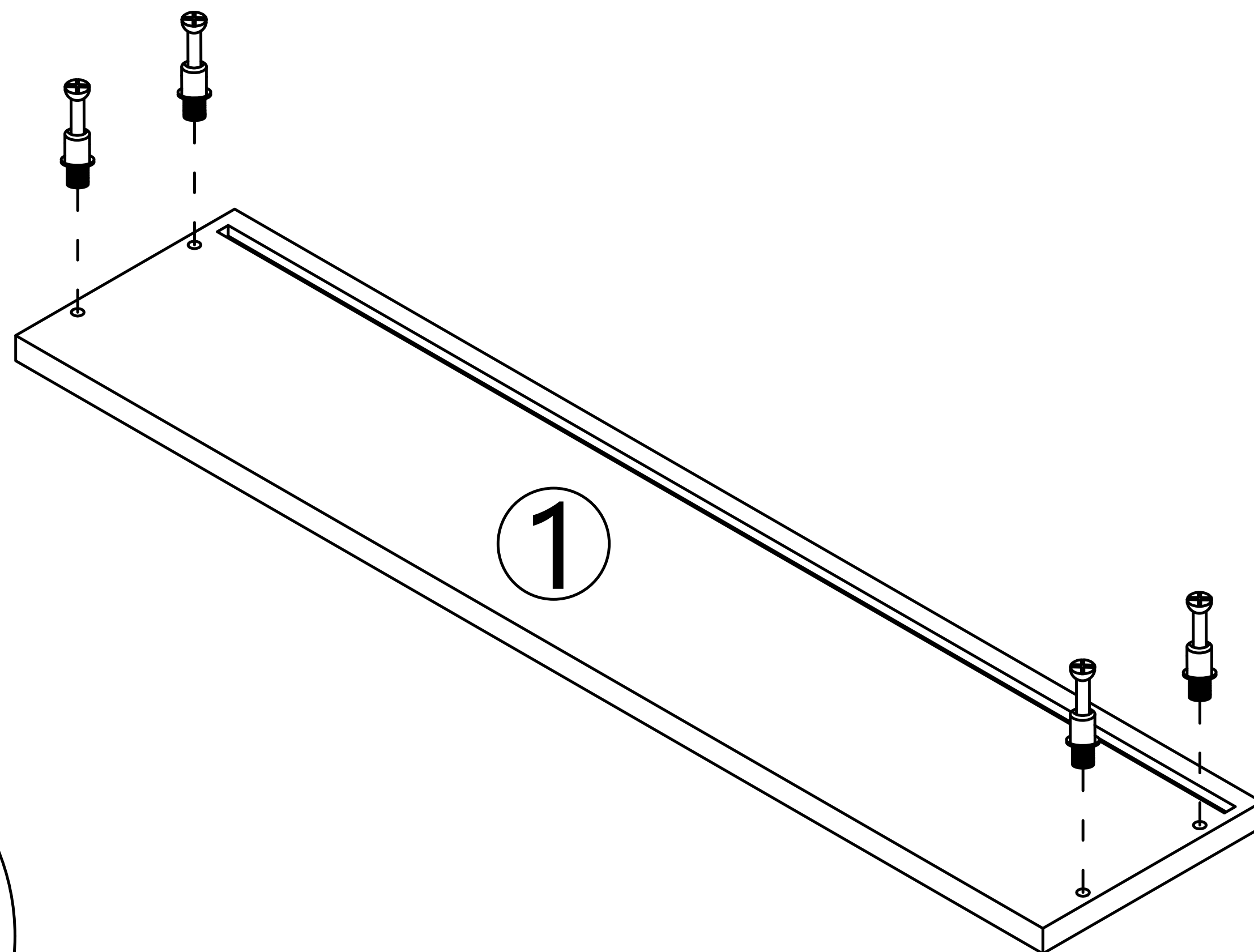
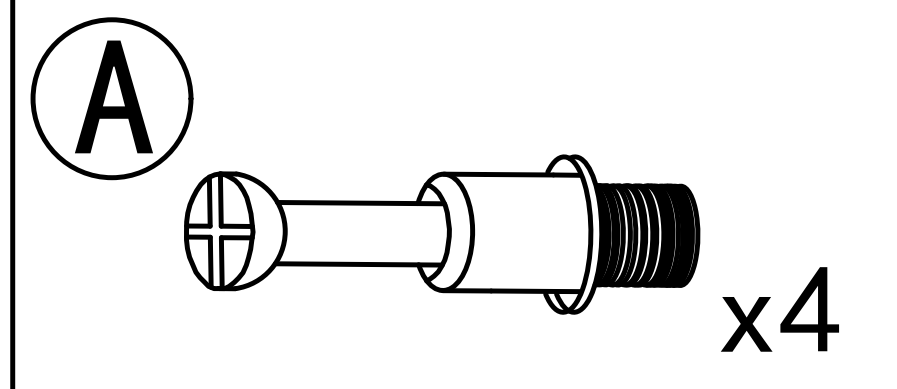
Step3



Use a screwdriver to lock in the direction of the "+" sign

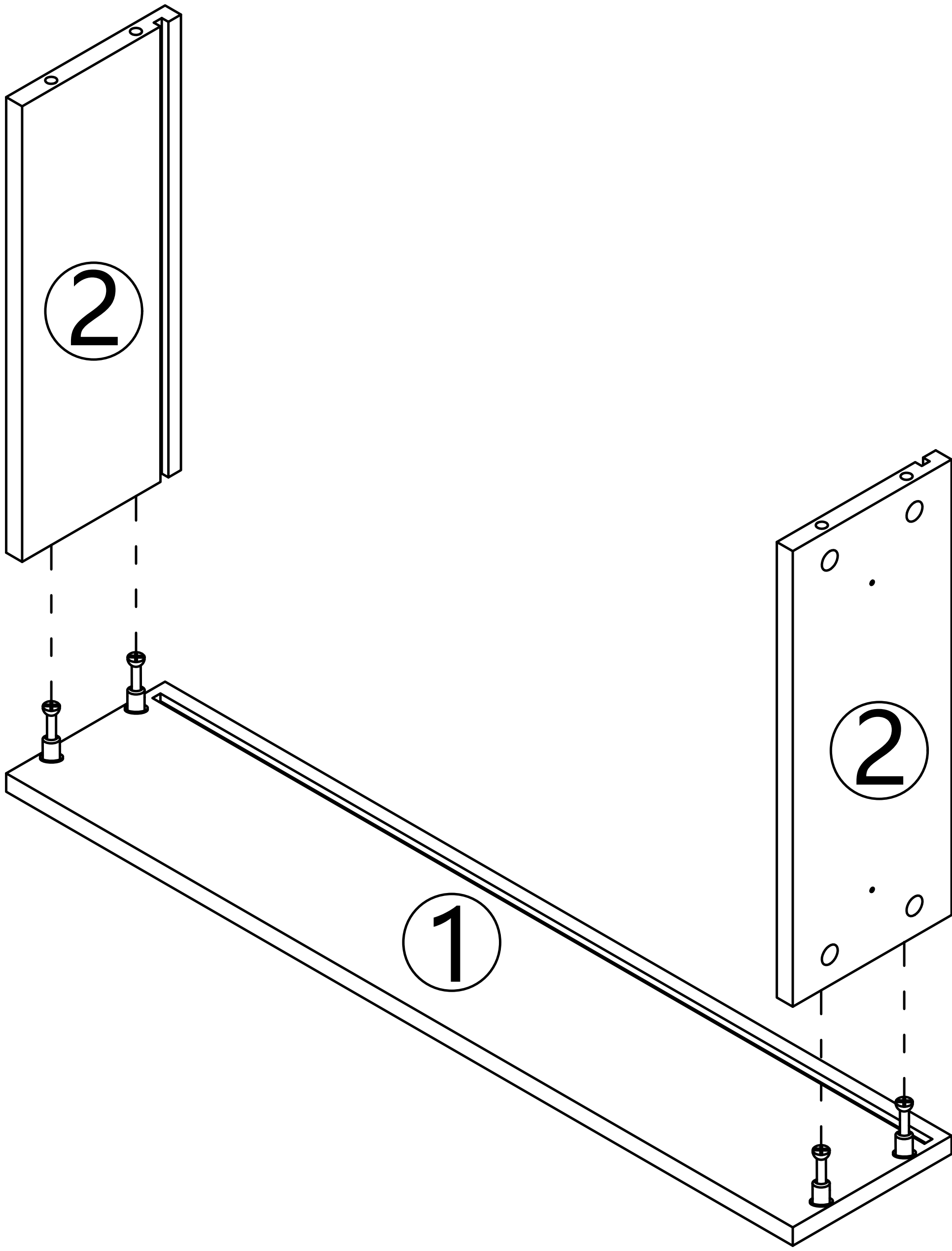
Disassemble along the direction of "-" sign

Step 1

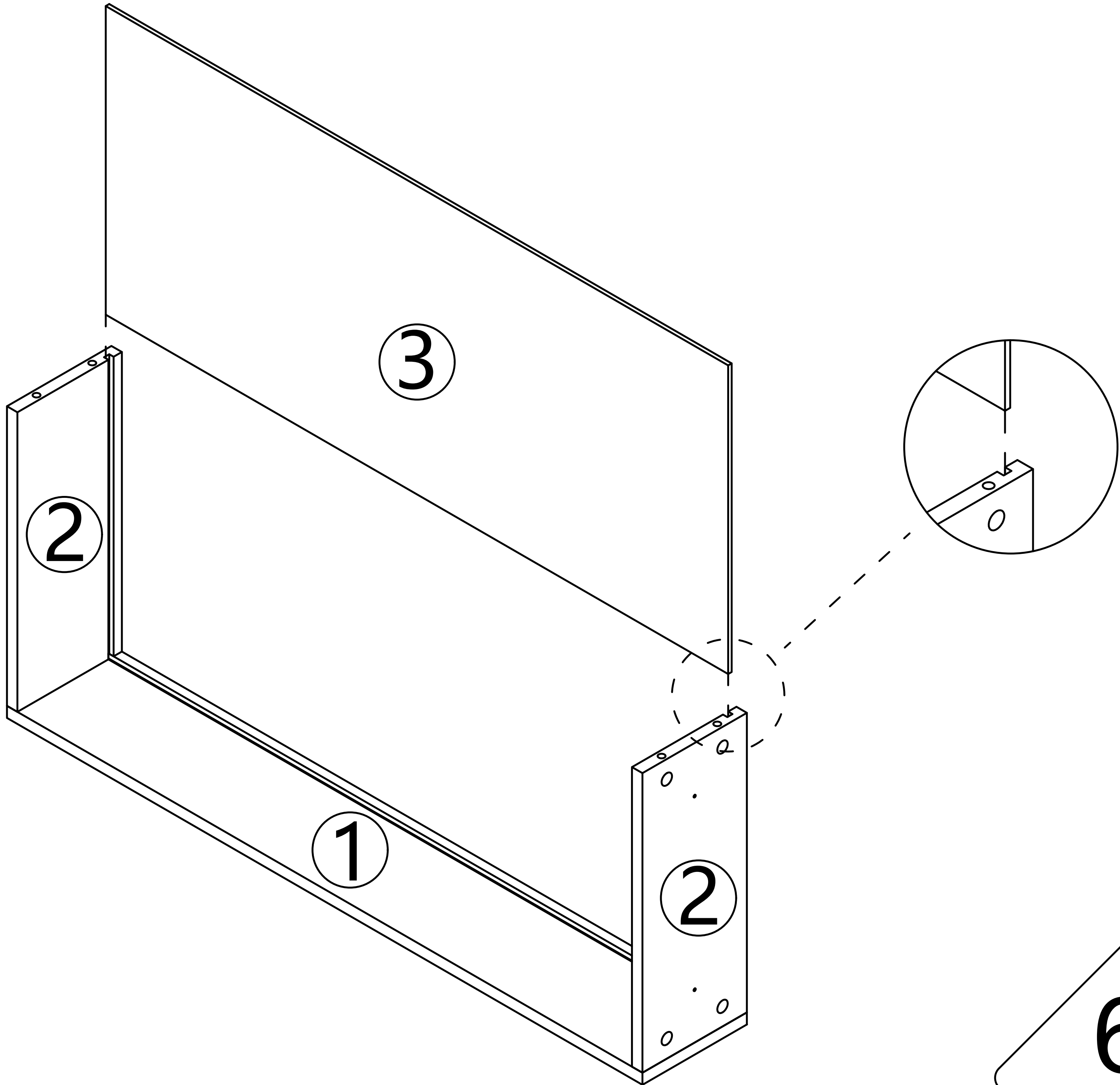


5

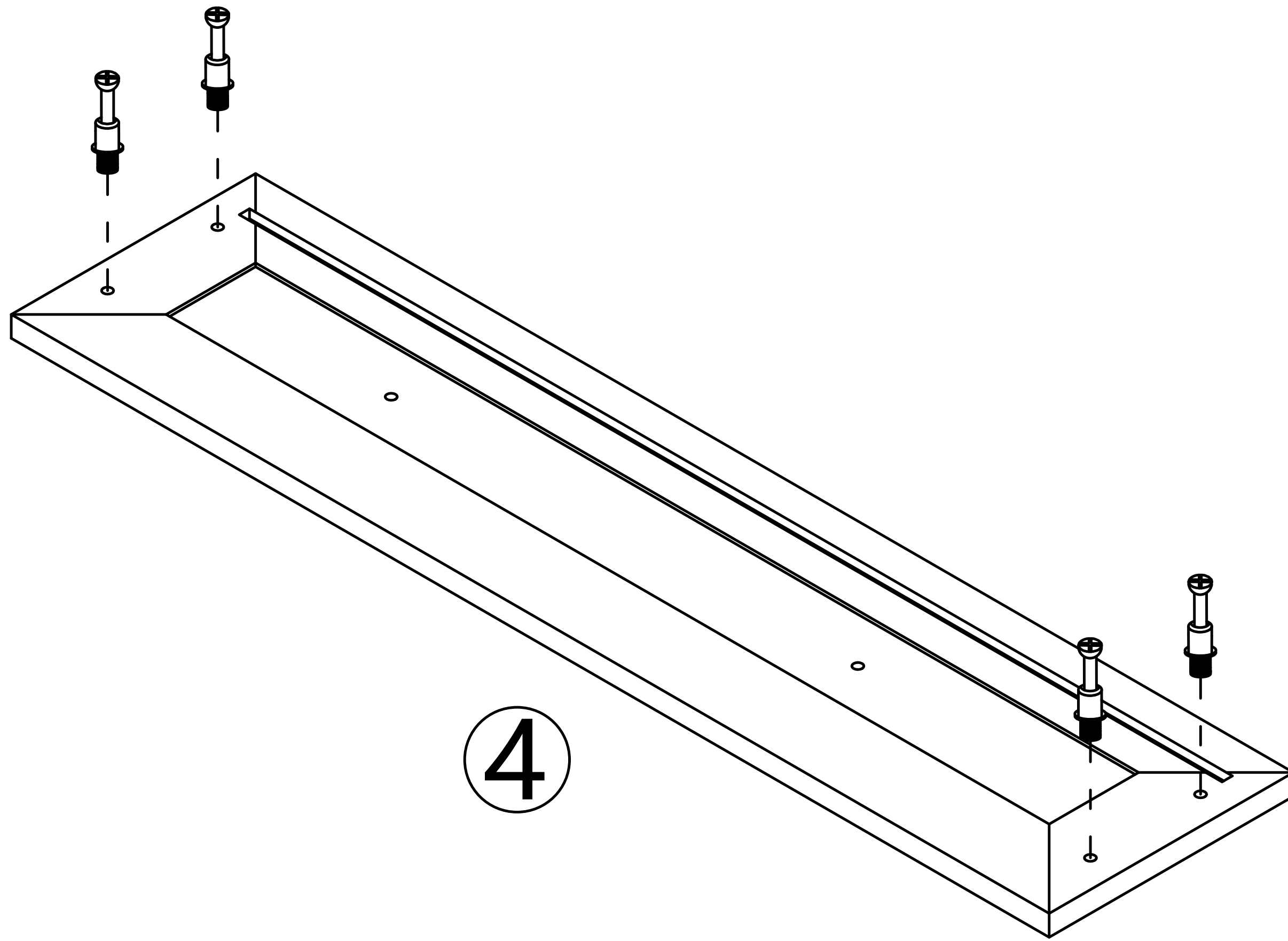
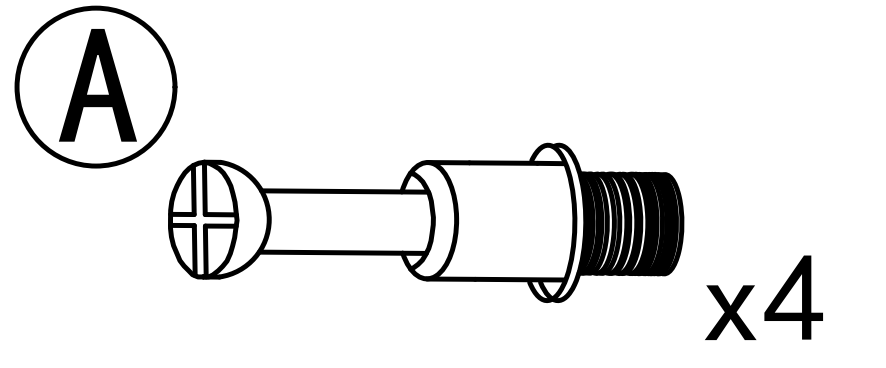
Step 2



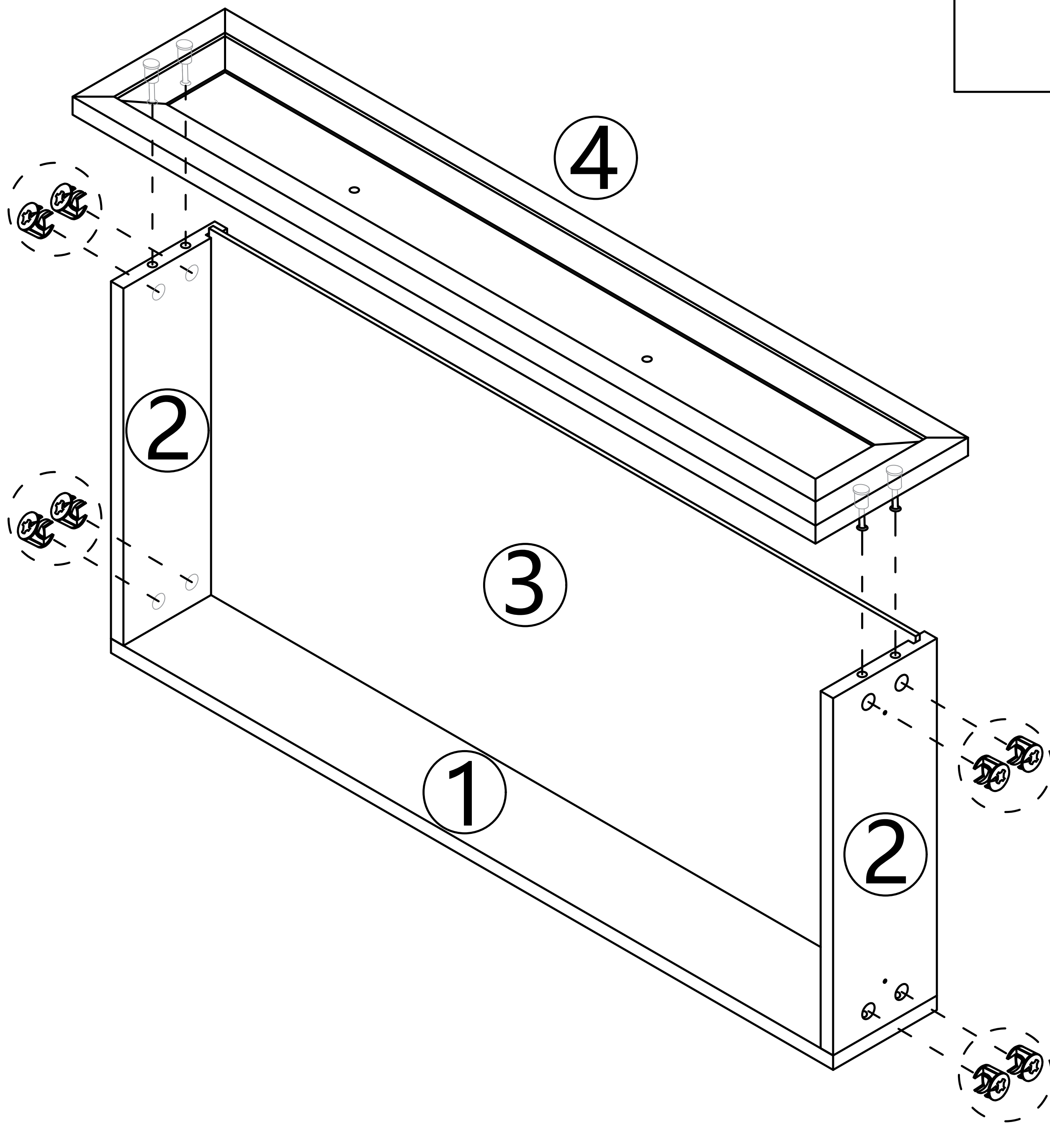
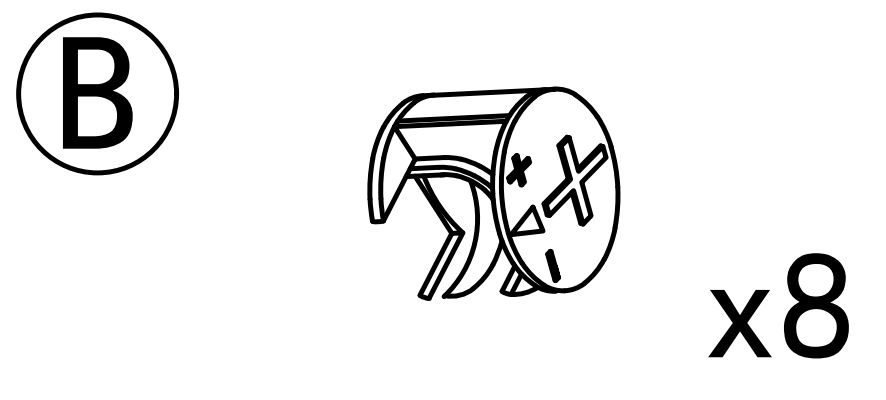
Step 3



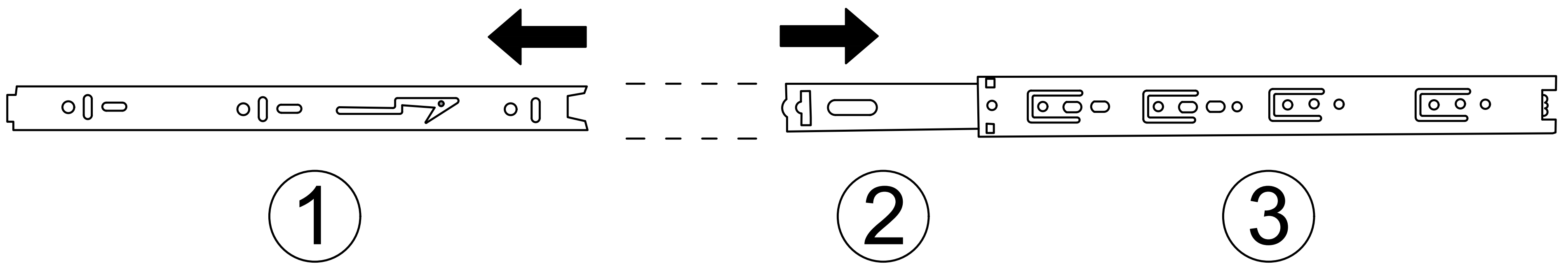
Step 4



Step 5

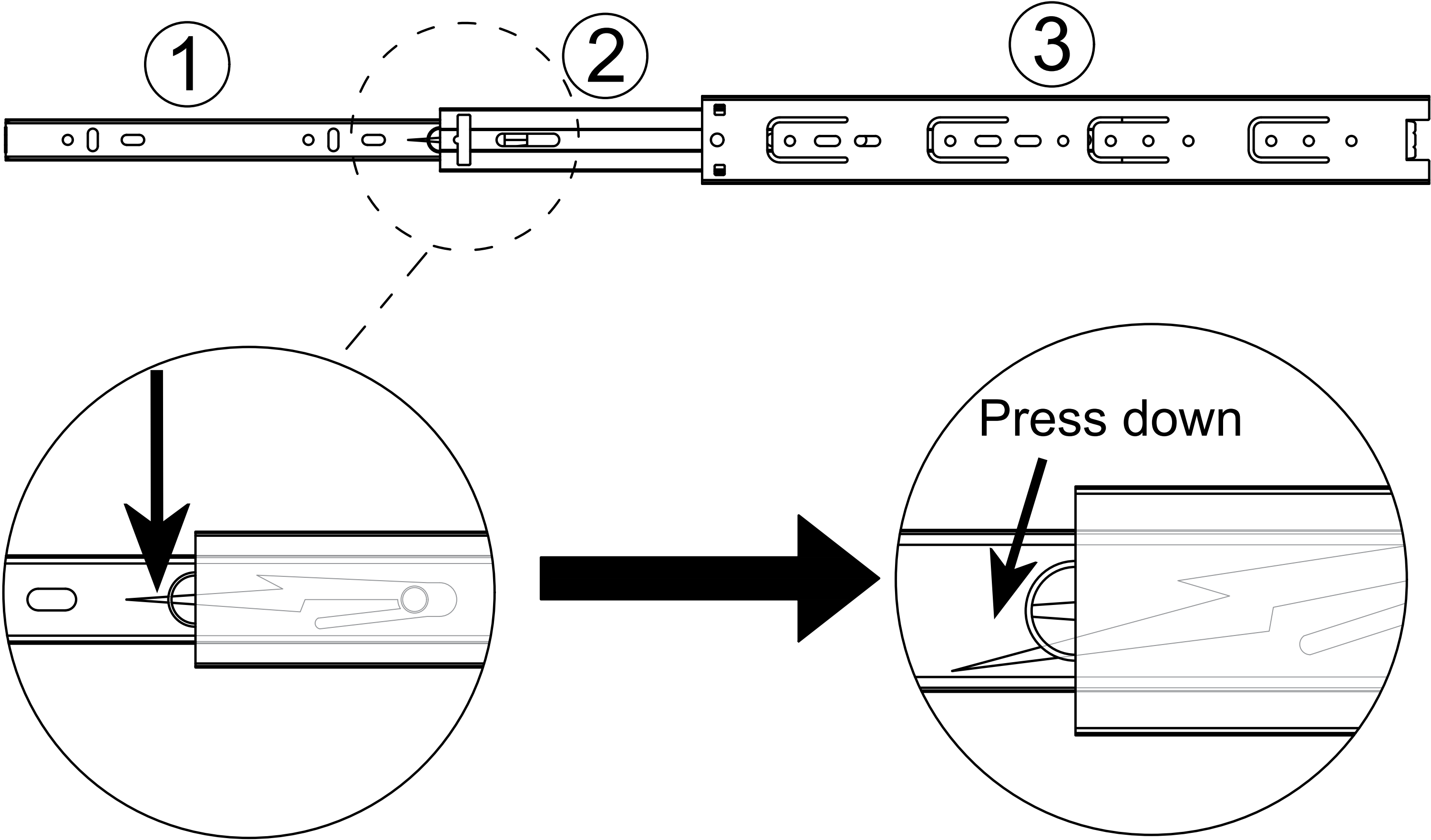


Drawer rail breakdown diagram



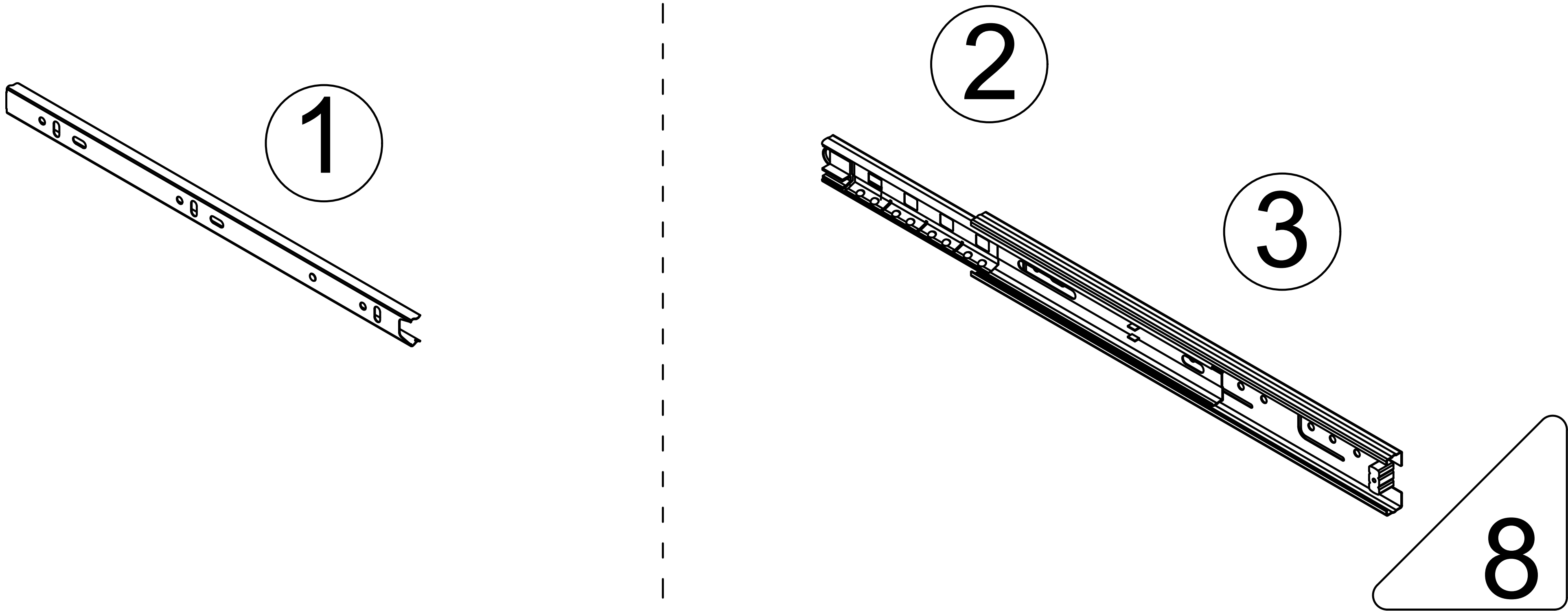
① Dismantle the schematic diagram

Step 1 : Pull the rails apart

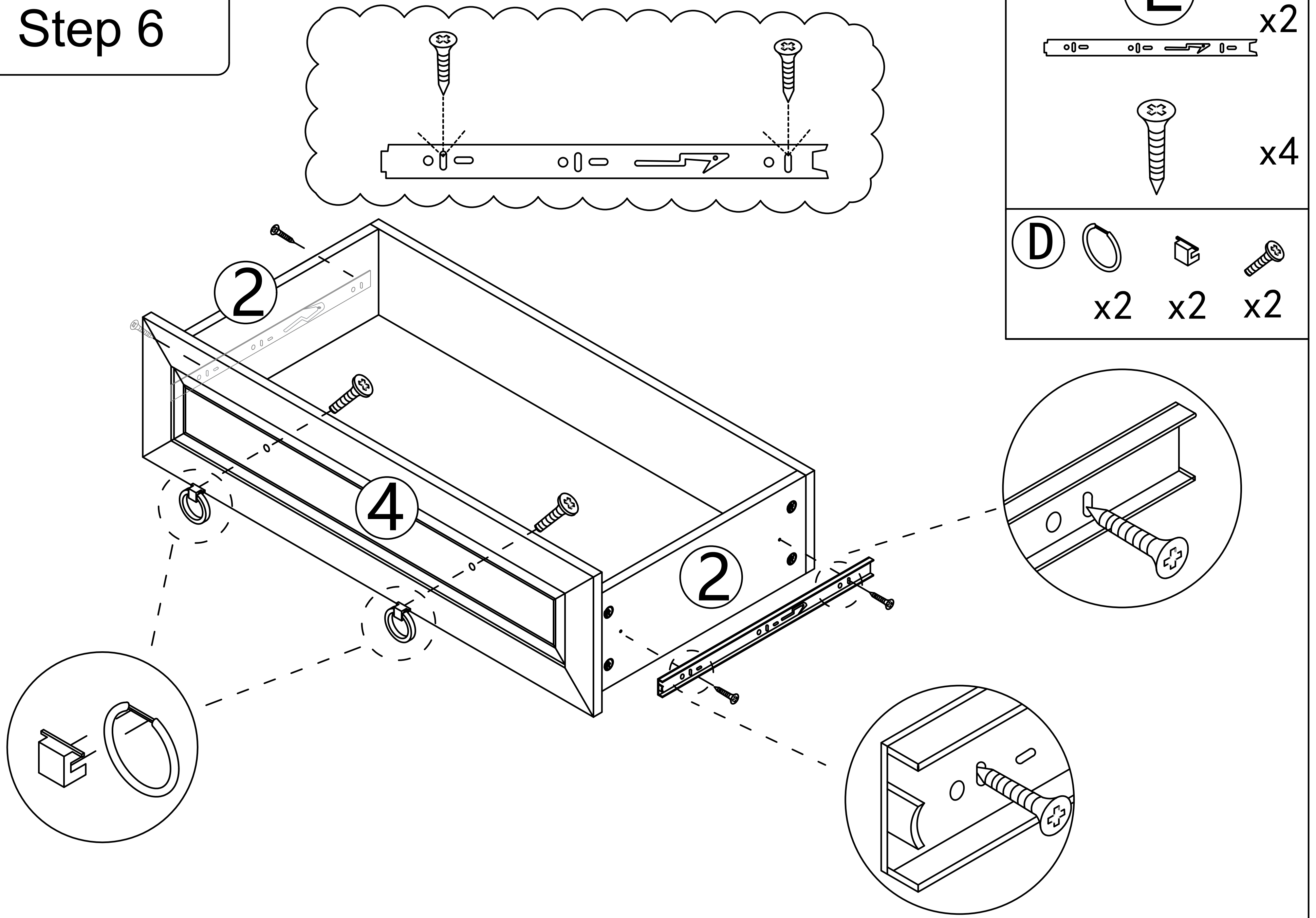


Step 2 : Press the nylon button and pull out ①.

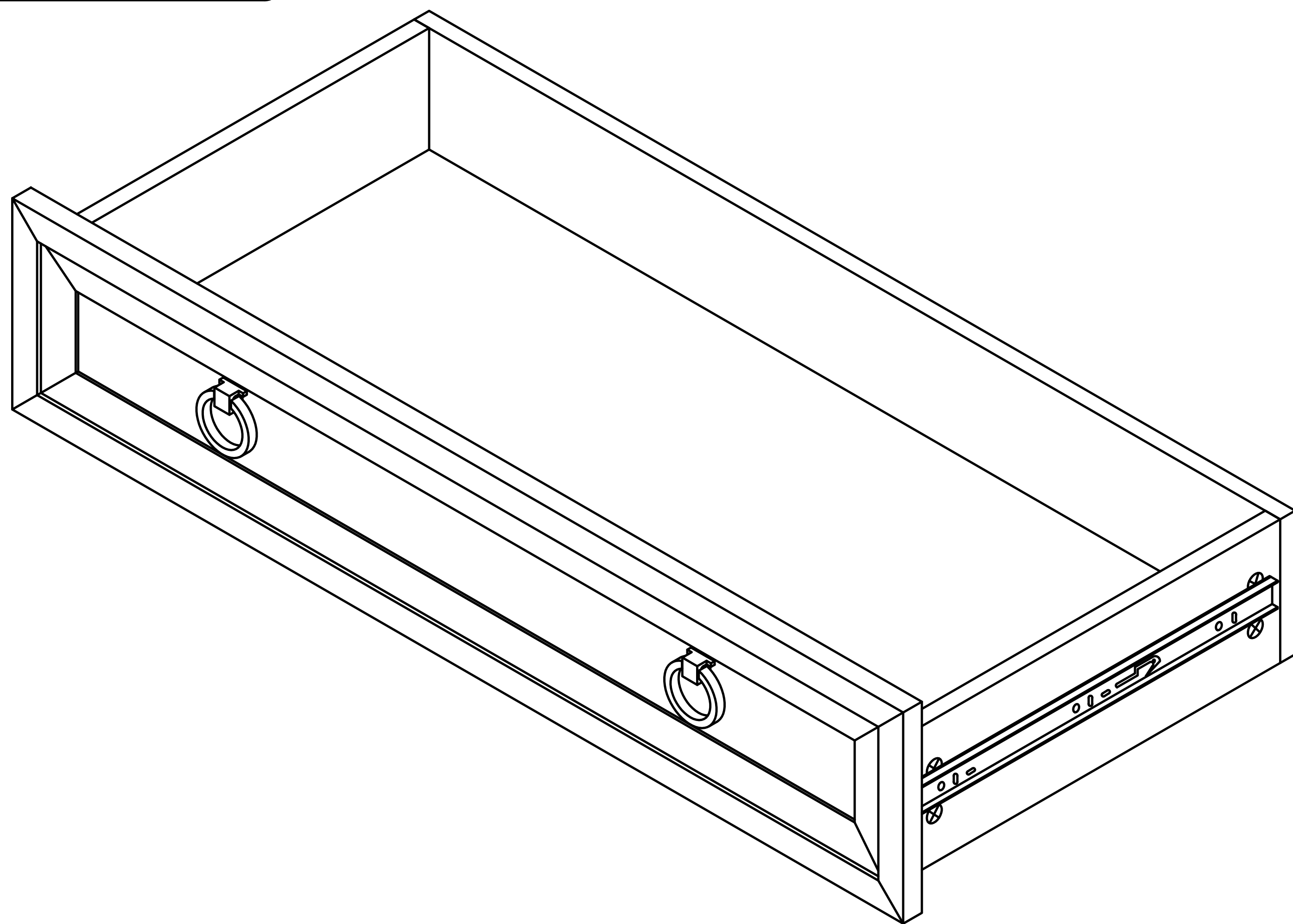
Drawer rail decomposition completed schematic diagram

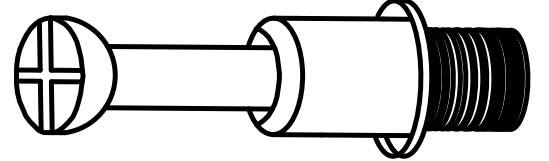
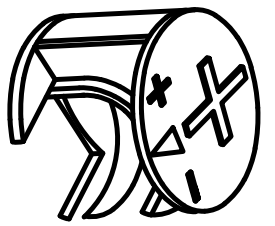
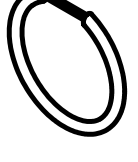


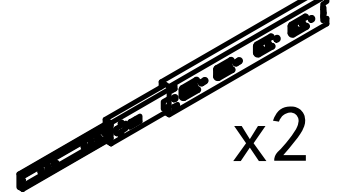
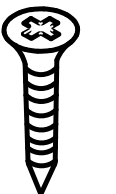


Step 6



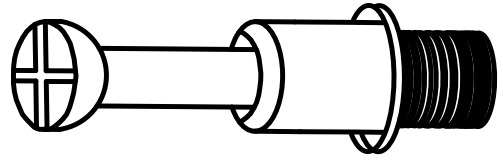
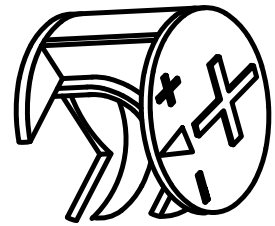
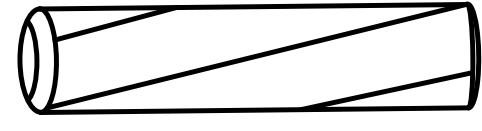
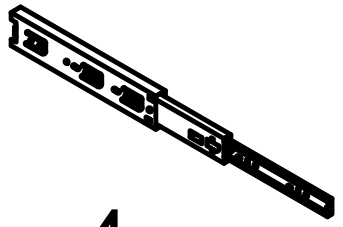
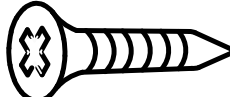
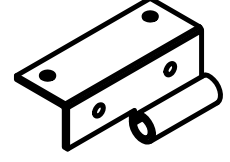
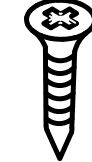
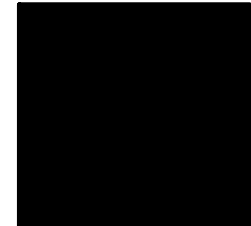
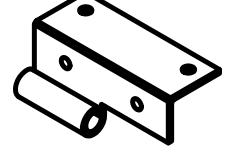


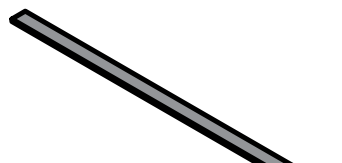
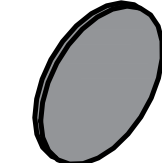
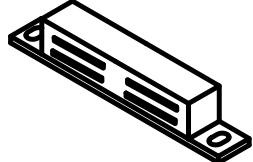

Step 7

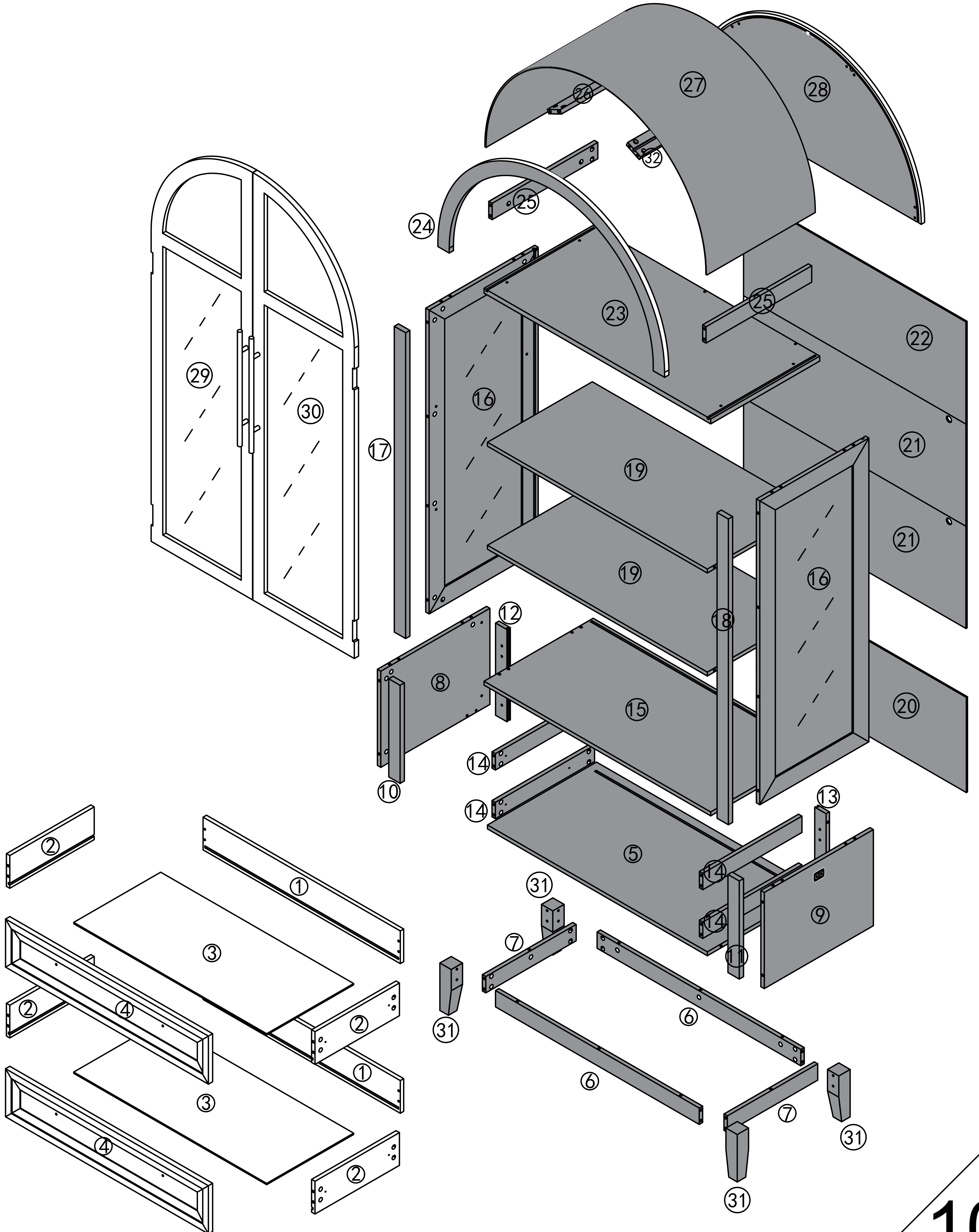


- (A)  x8
- (B)  x8
- (D)  x2  x2  x2
- (E)  x2  x4

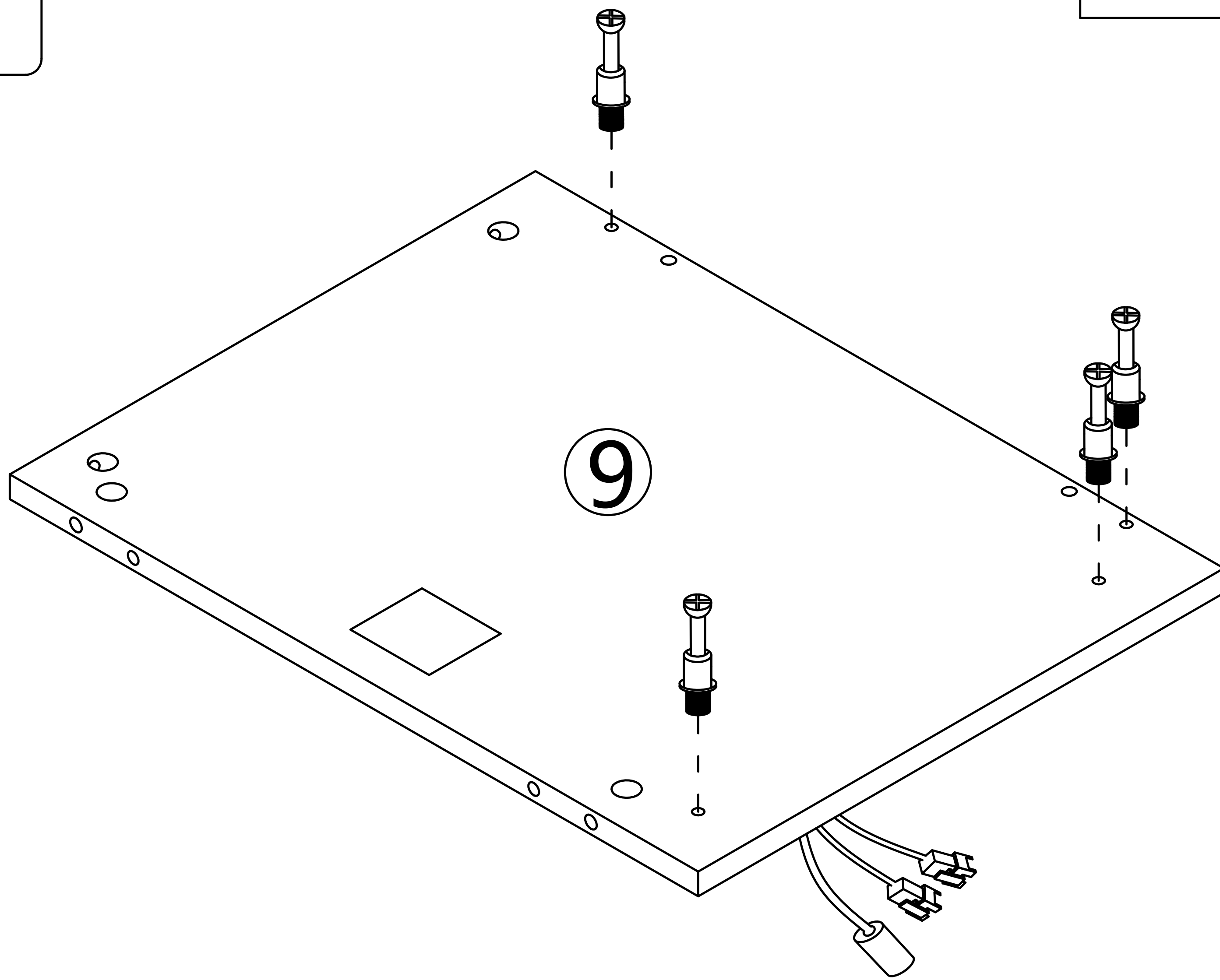
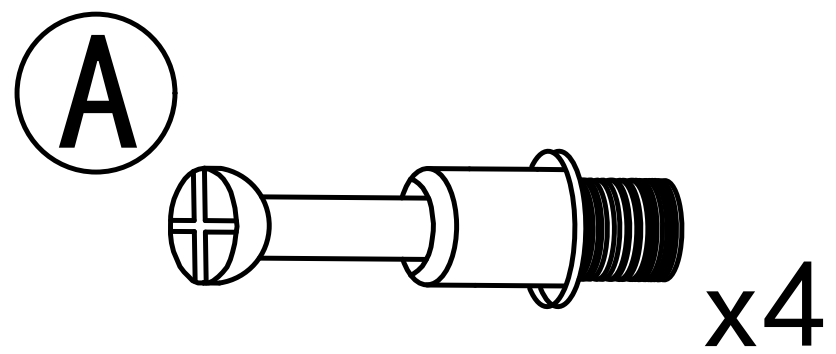
x2

Repeat the drawer installation steps

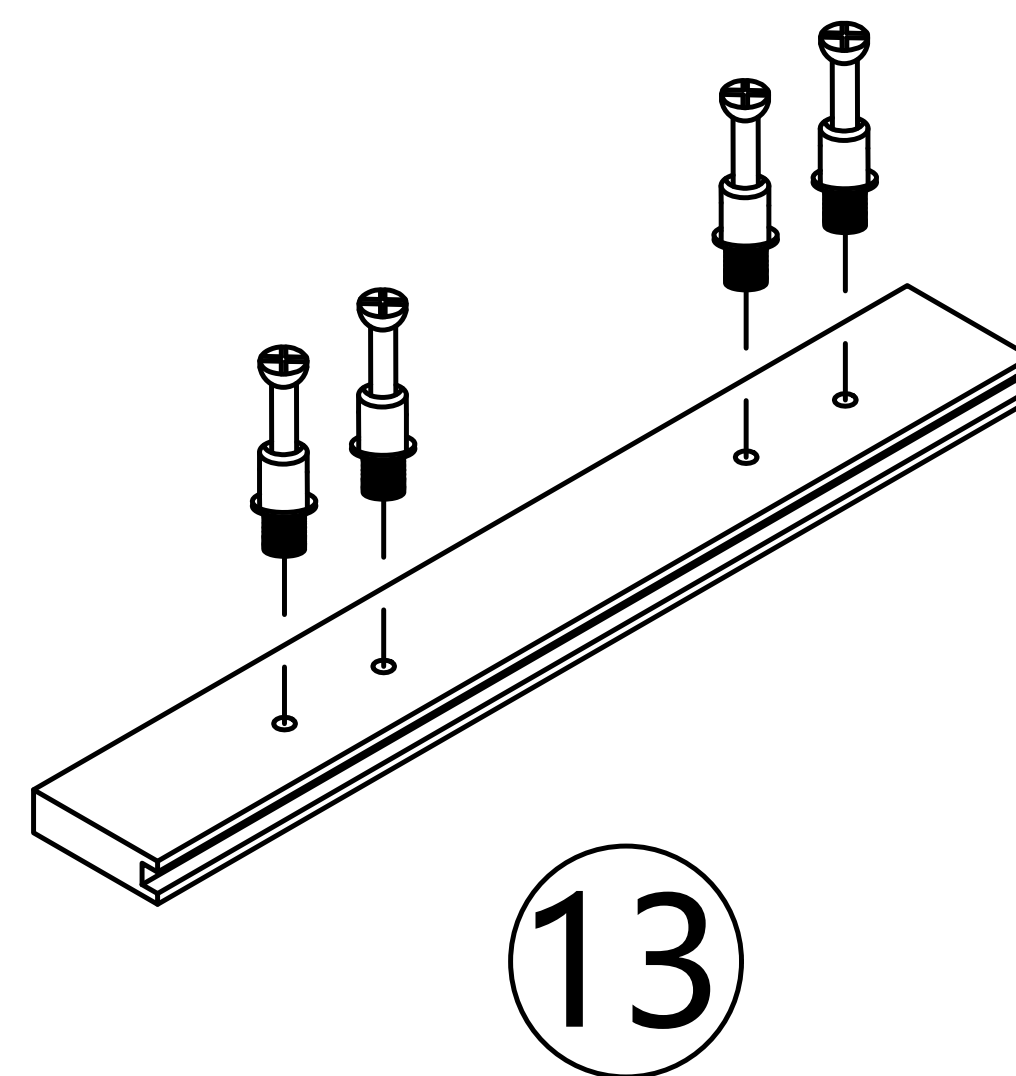
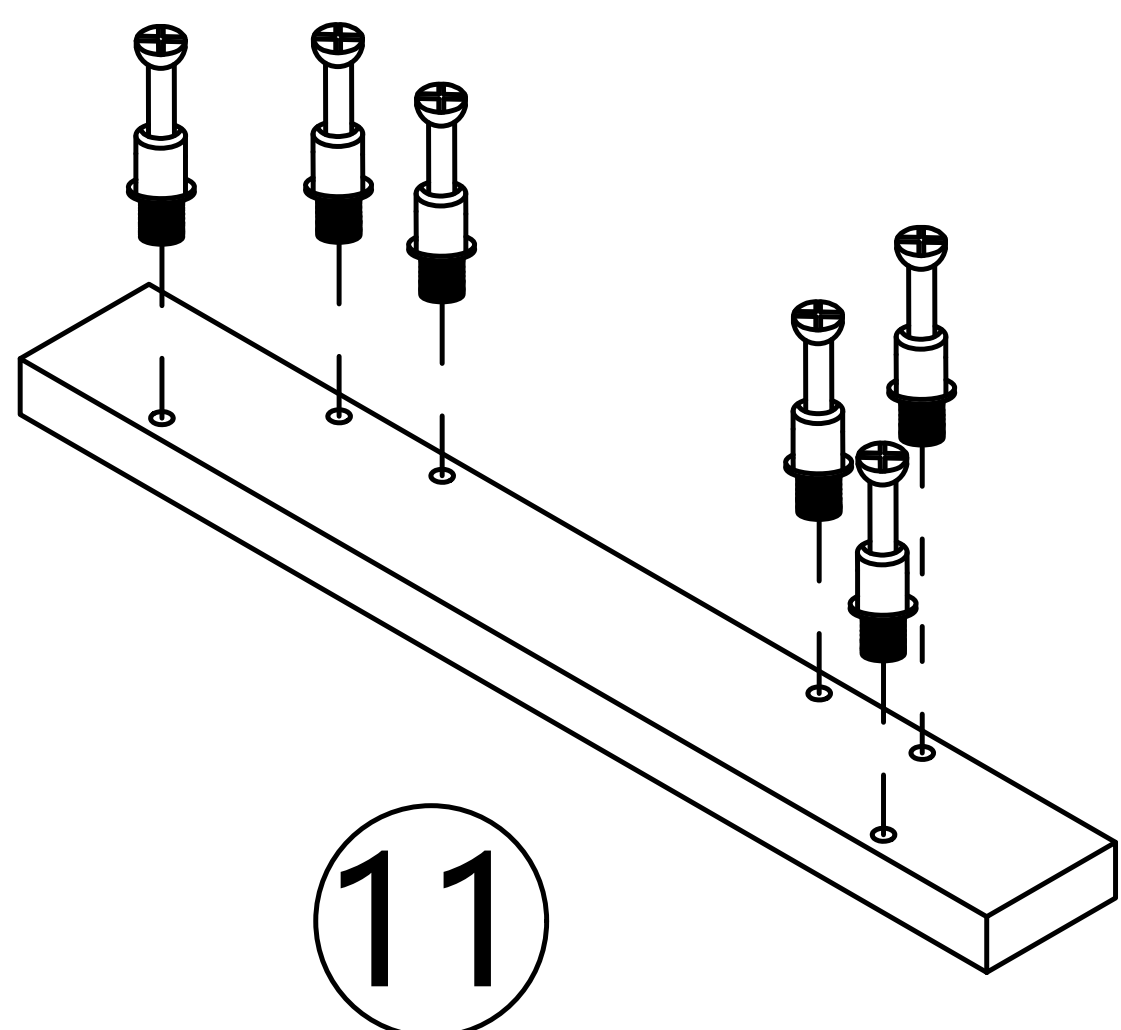
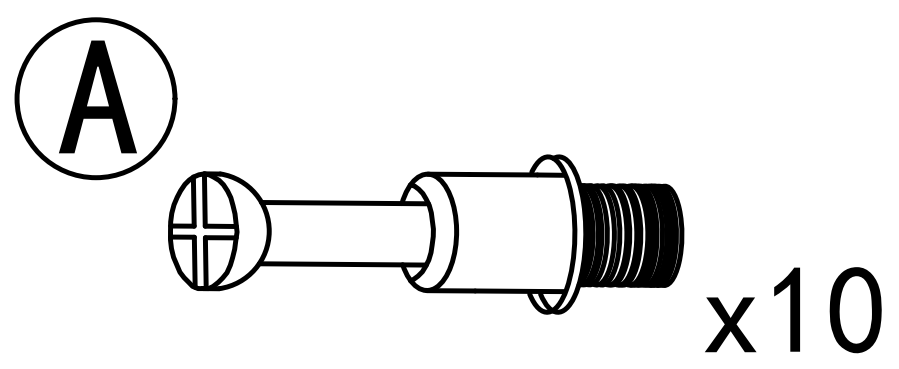
A		103pcs	B		103pcs	C		16pcs				
E		4pcs		12pcs	F		4pcs		16pcs	F		4pcs
H		4pcs		16pcs	I		1pcs	J		1pcs		4pcs
O		1pcs		2pcs								



Step 8

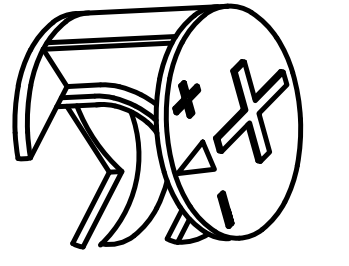


Step 9

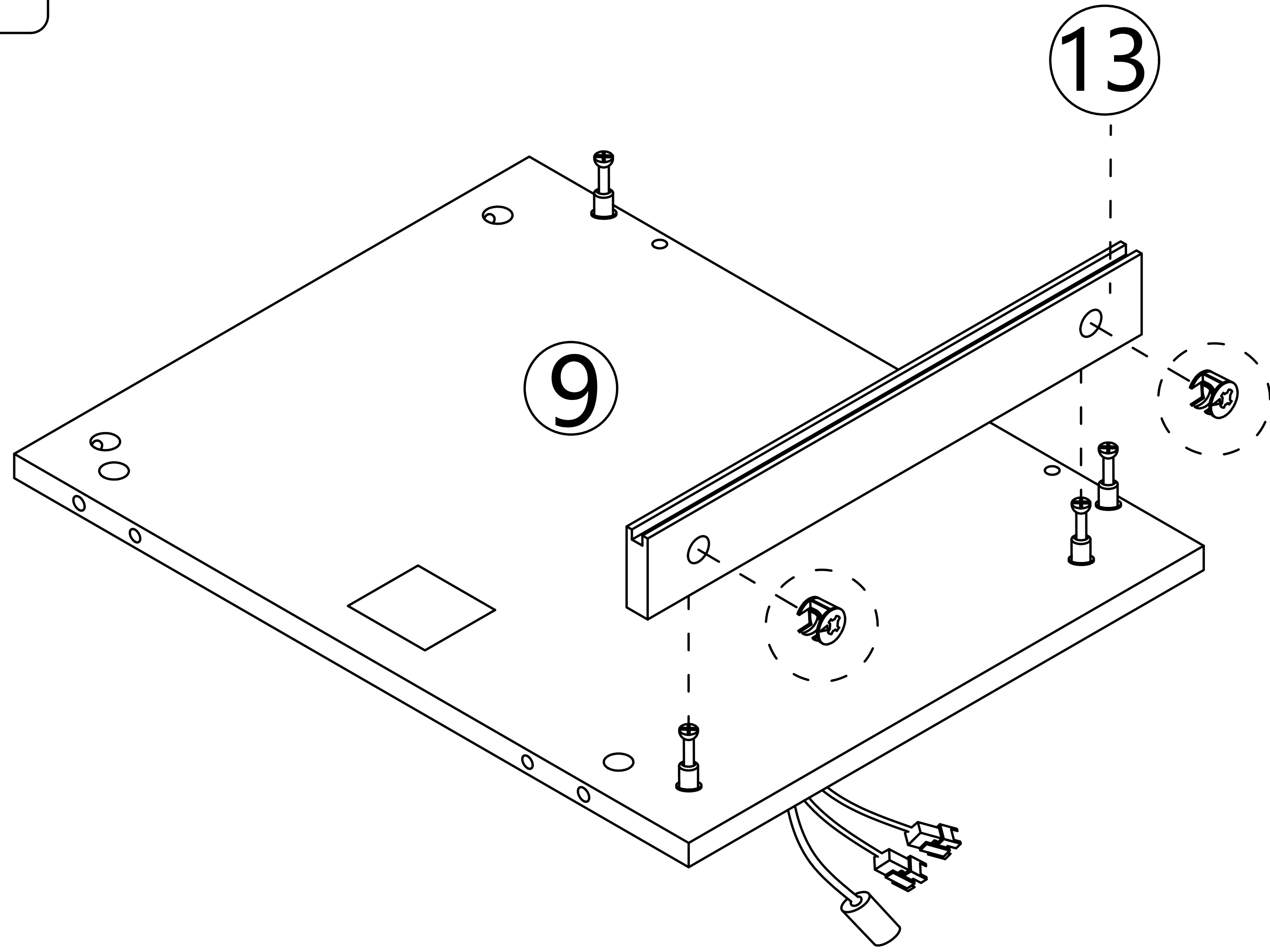


Step 10

B

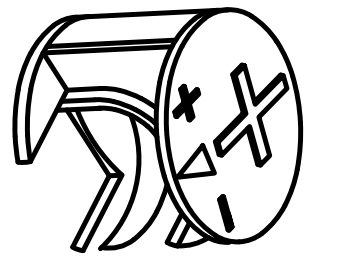


x2



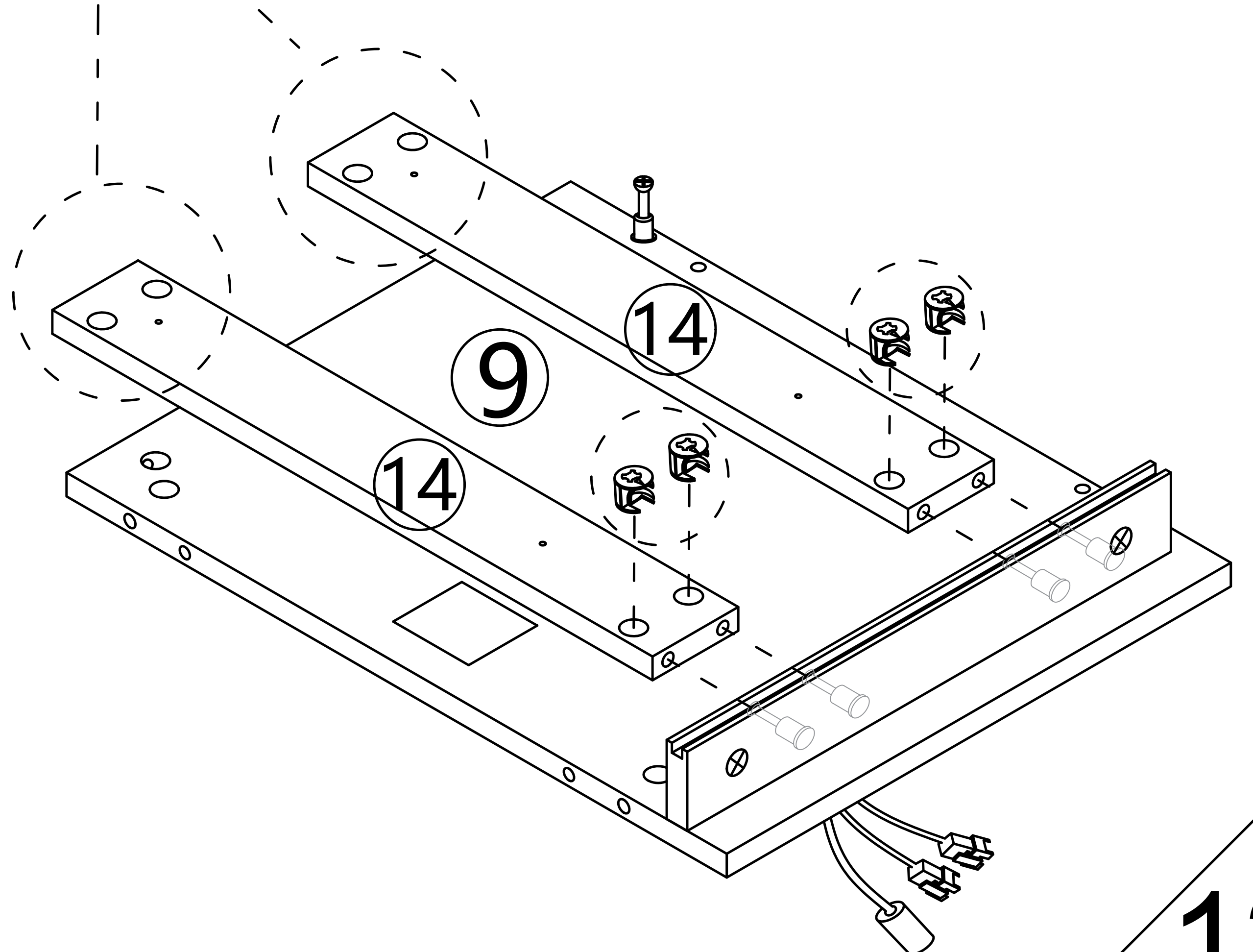
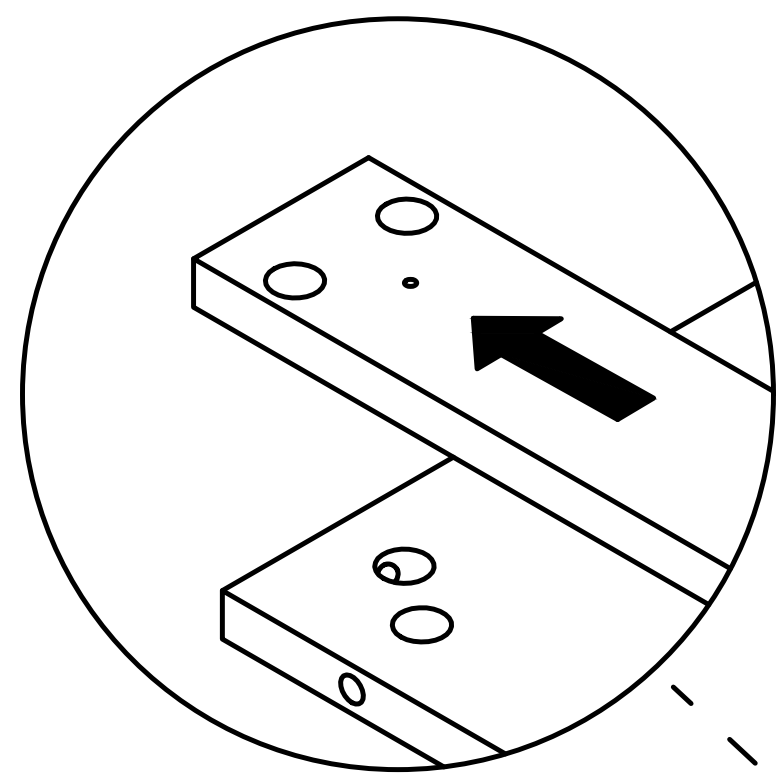
Step 11

B



x4

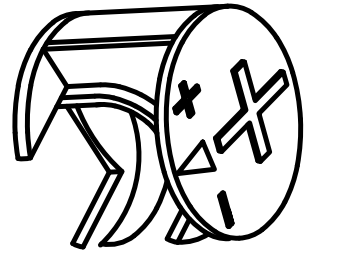
Note: The guiding hole here is relatively close to the edge.



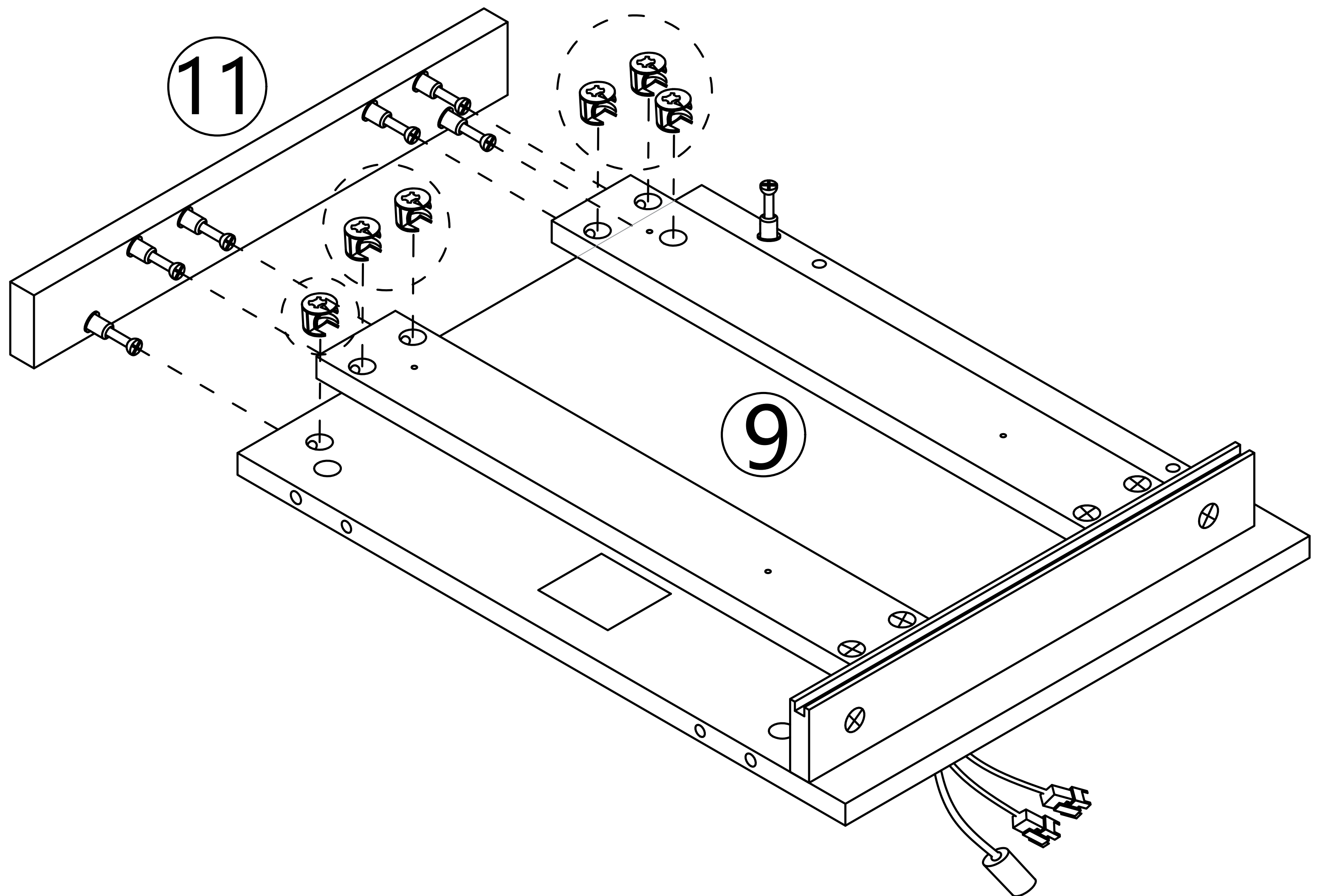
12

Step 12

B

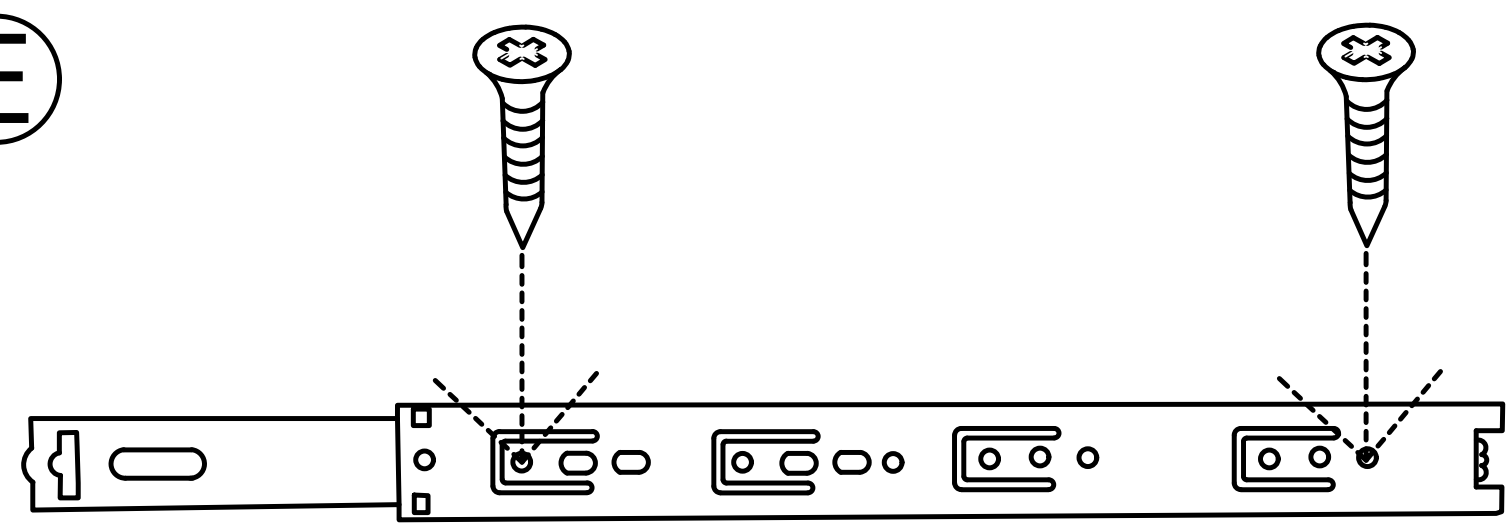



x6



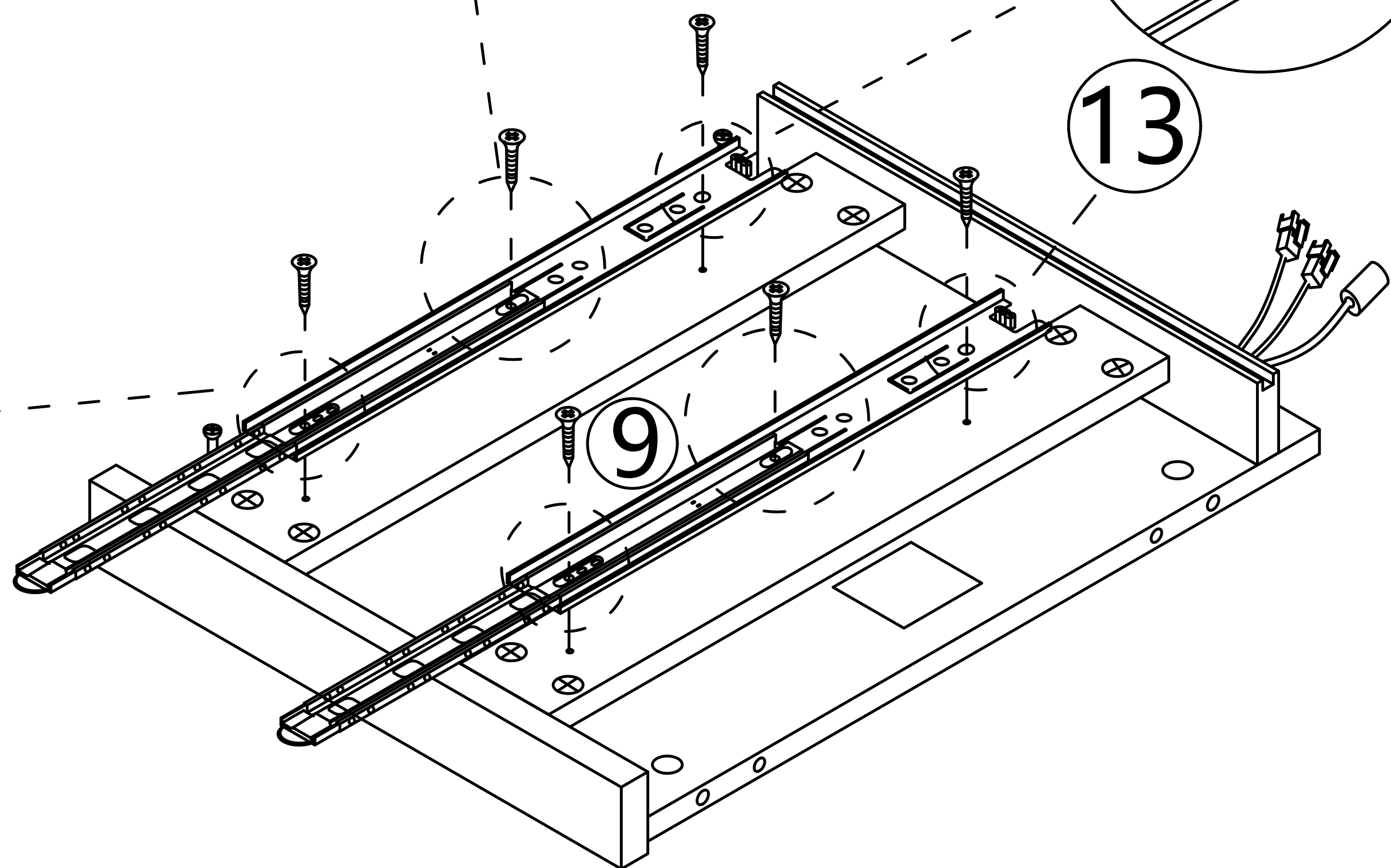
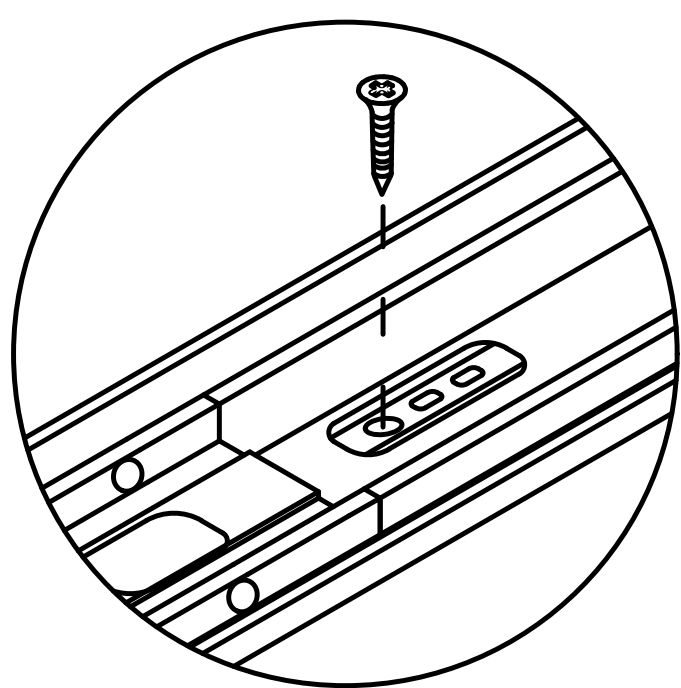
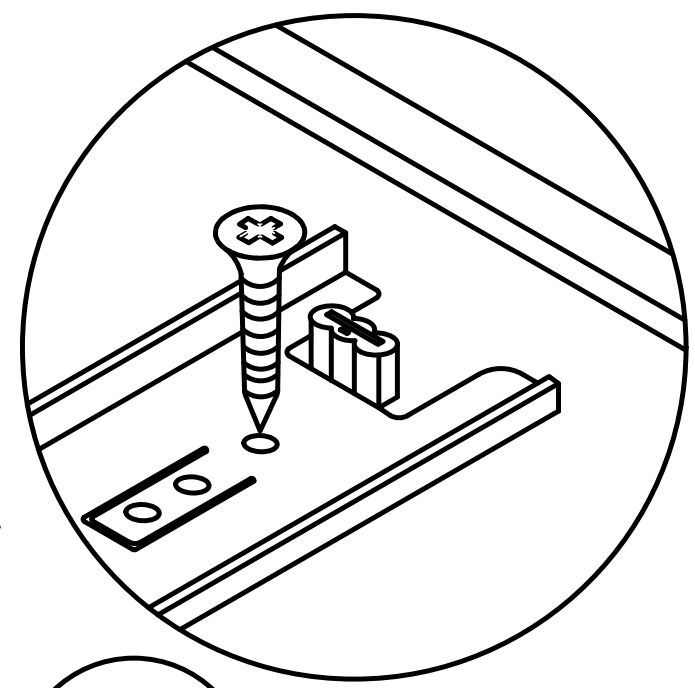
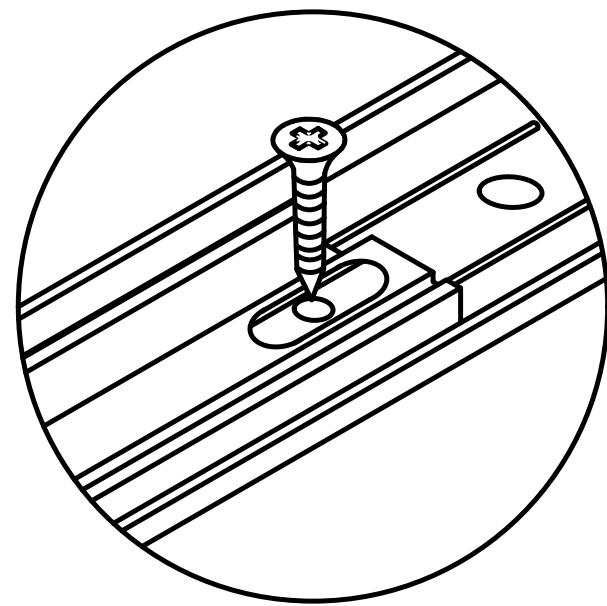
Step 13

E



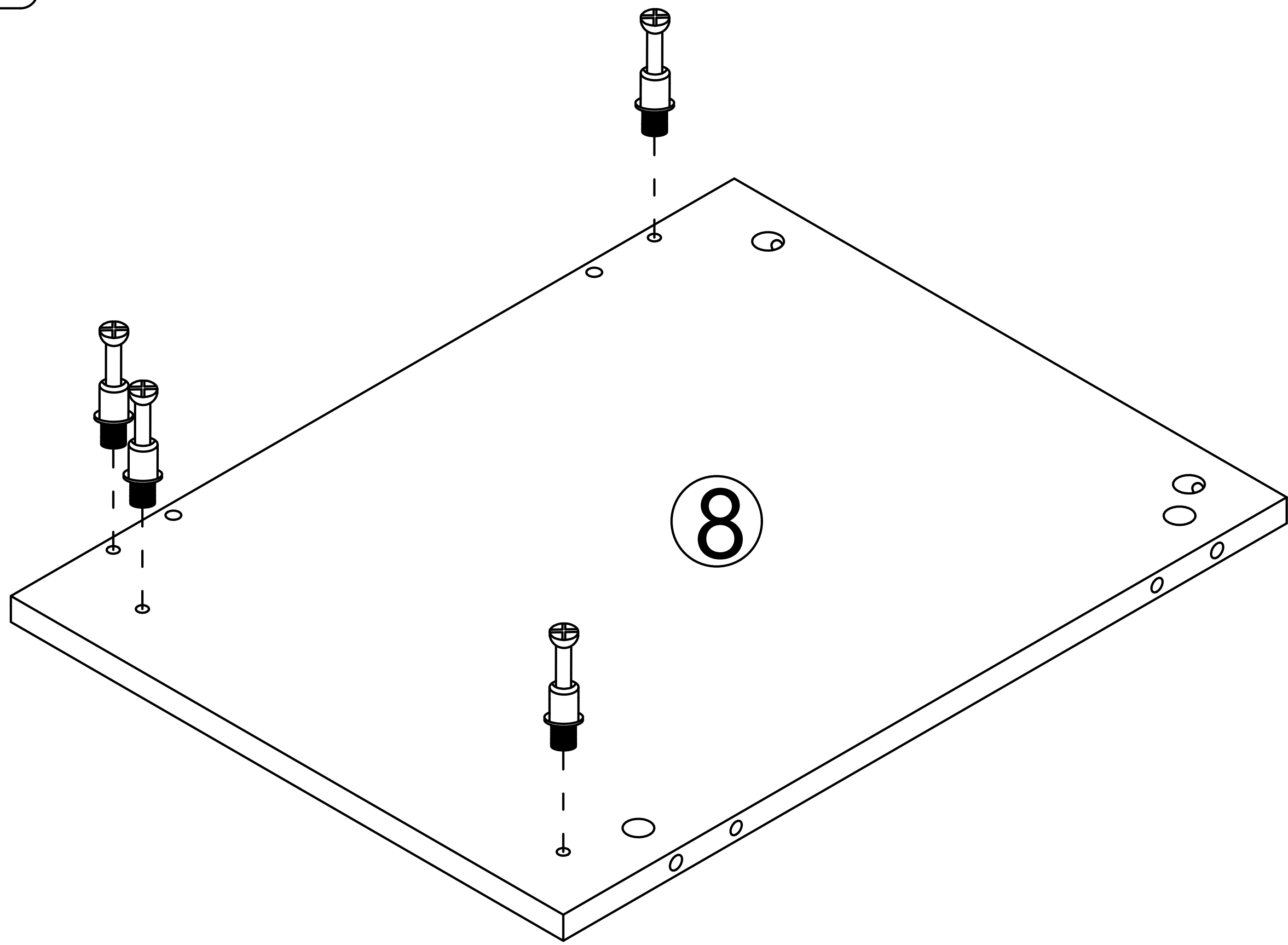
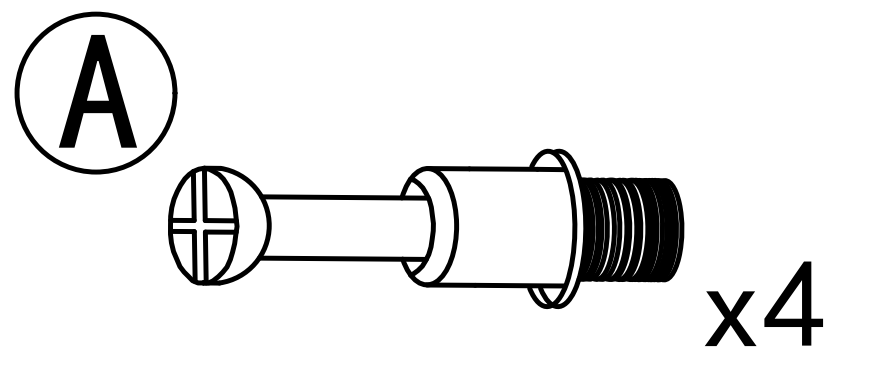
x2  x6

This hole is for strengthening fixed hole customers can choose to install according to their needs.

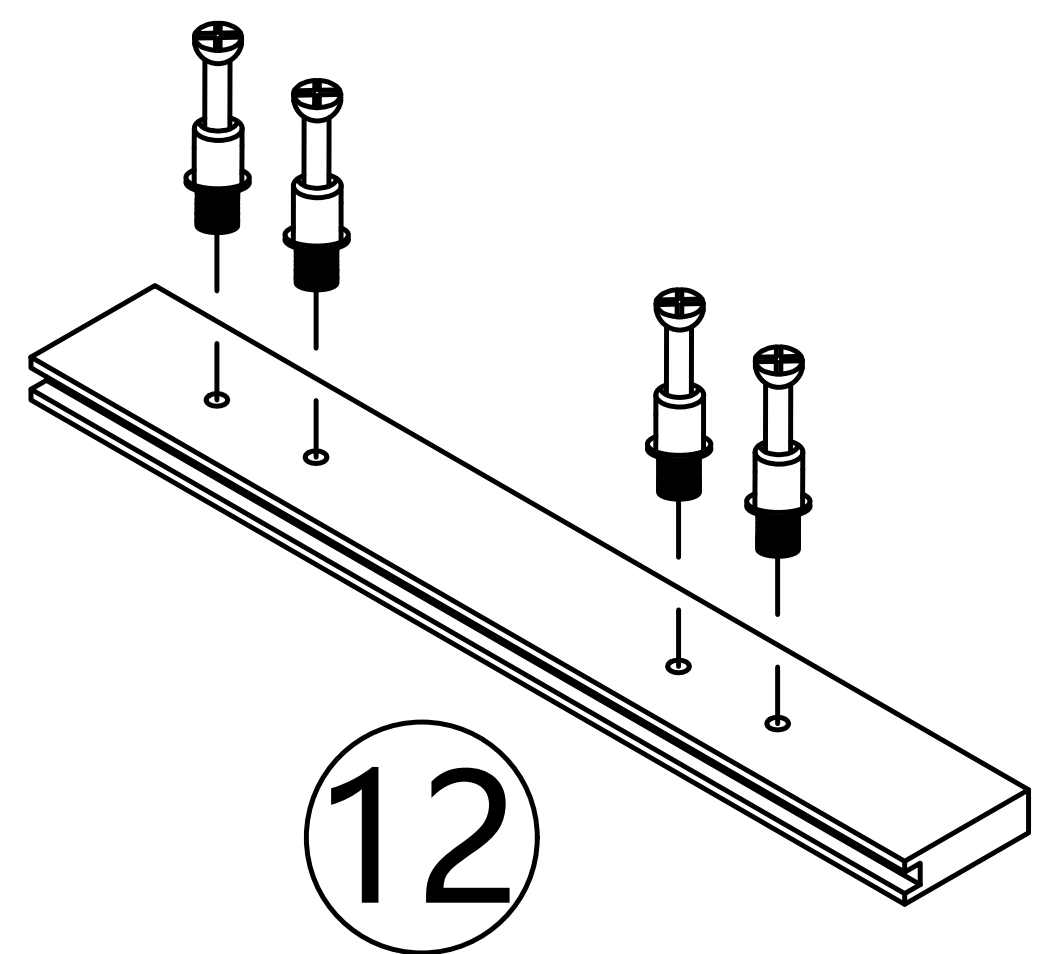
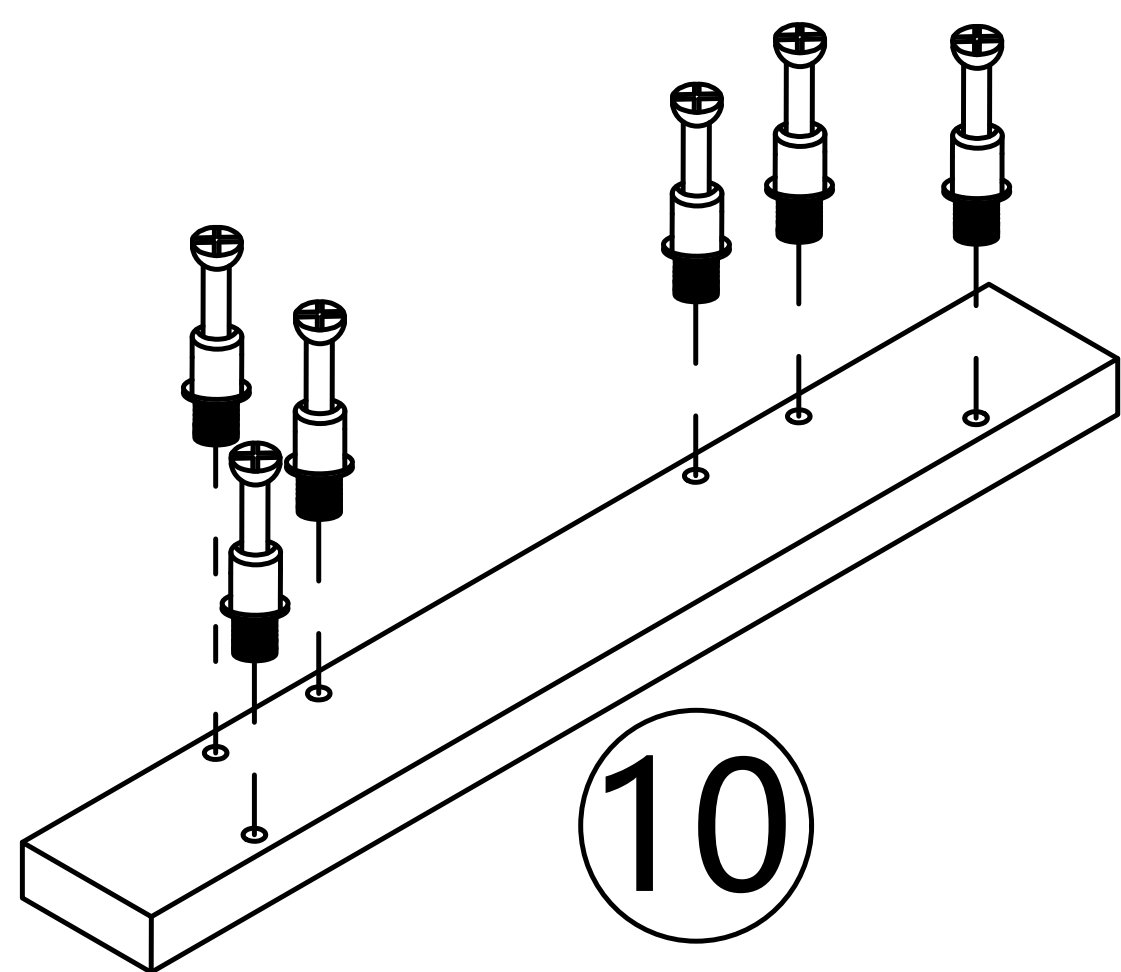
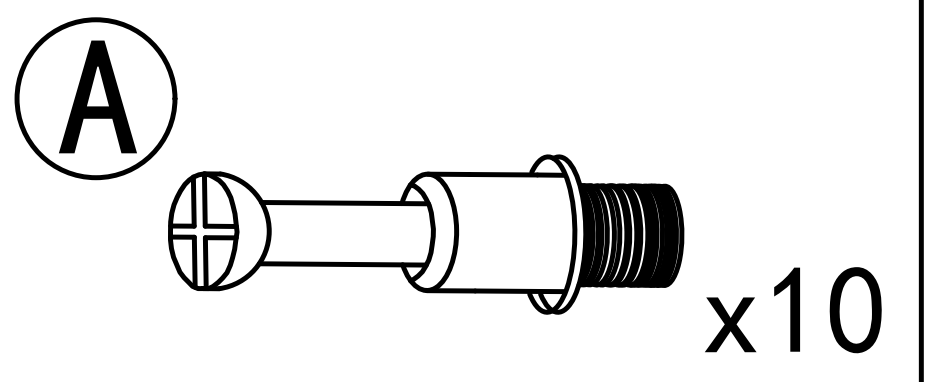


13

Step 14

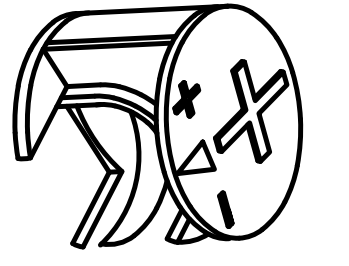


Step 15

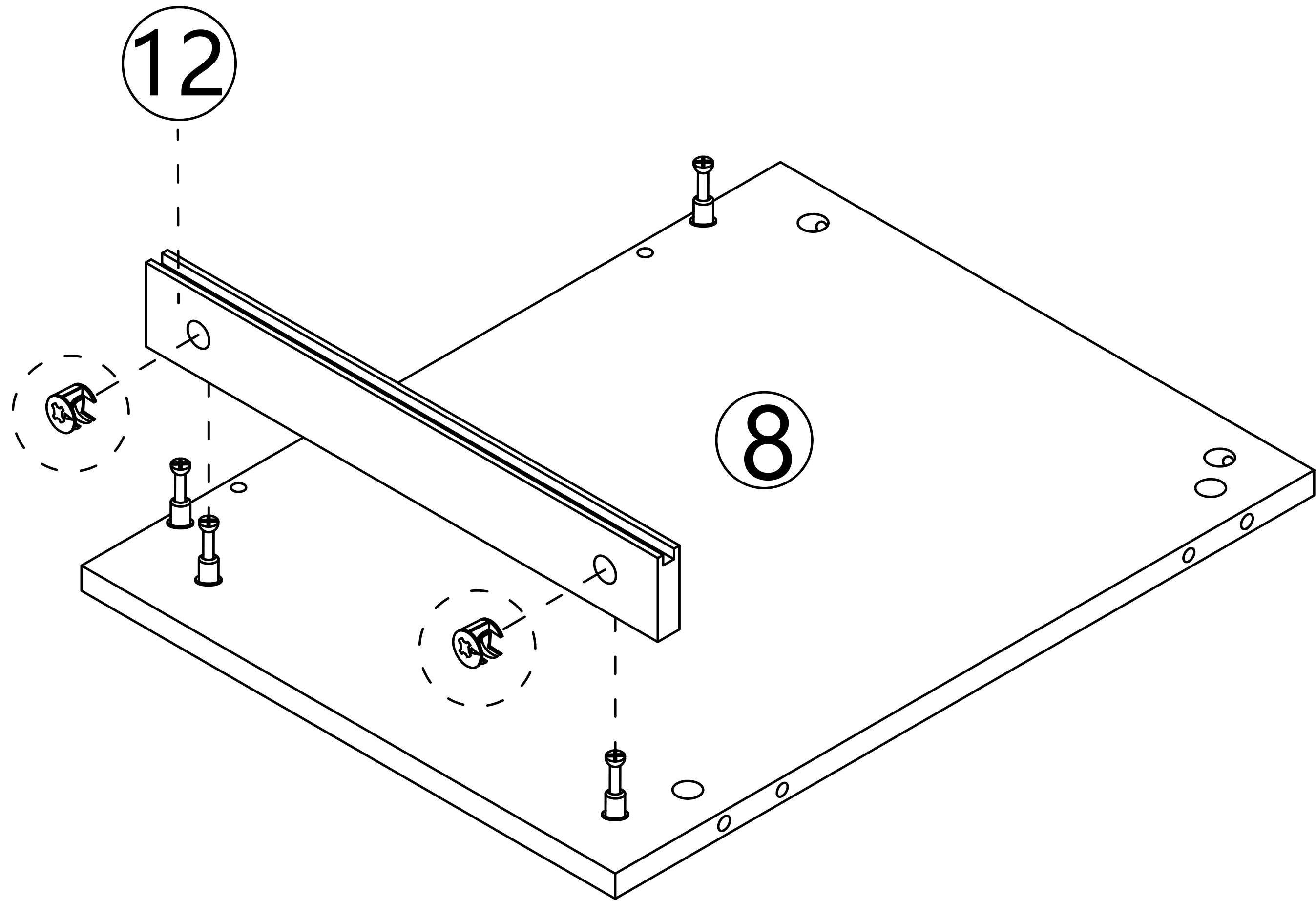


Step 16

B

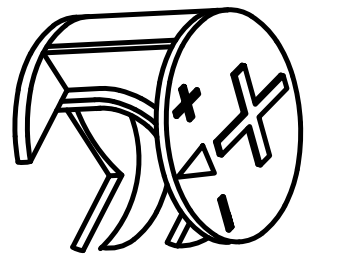


x2



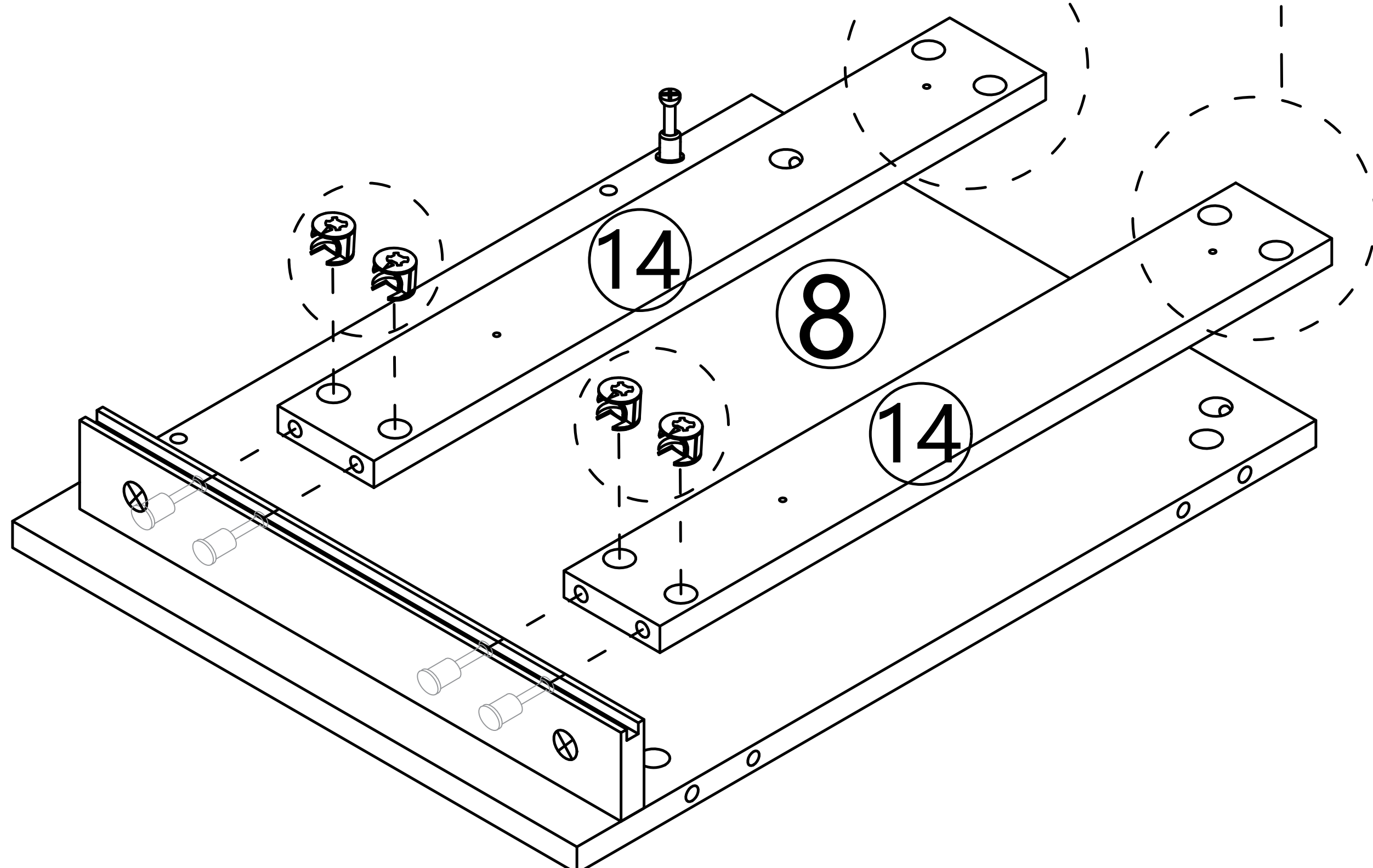
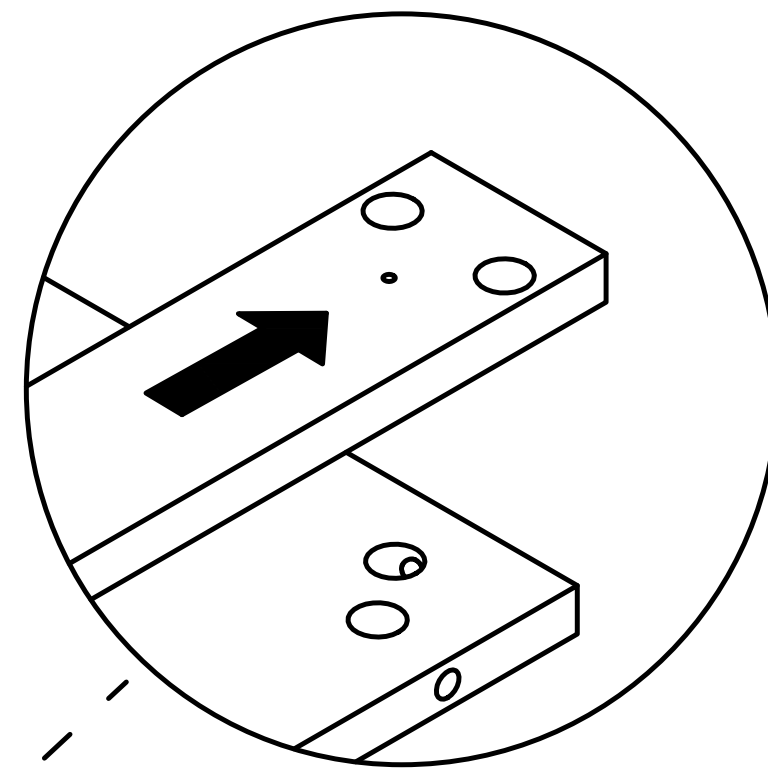
Step 17

B



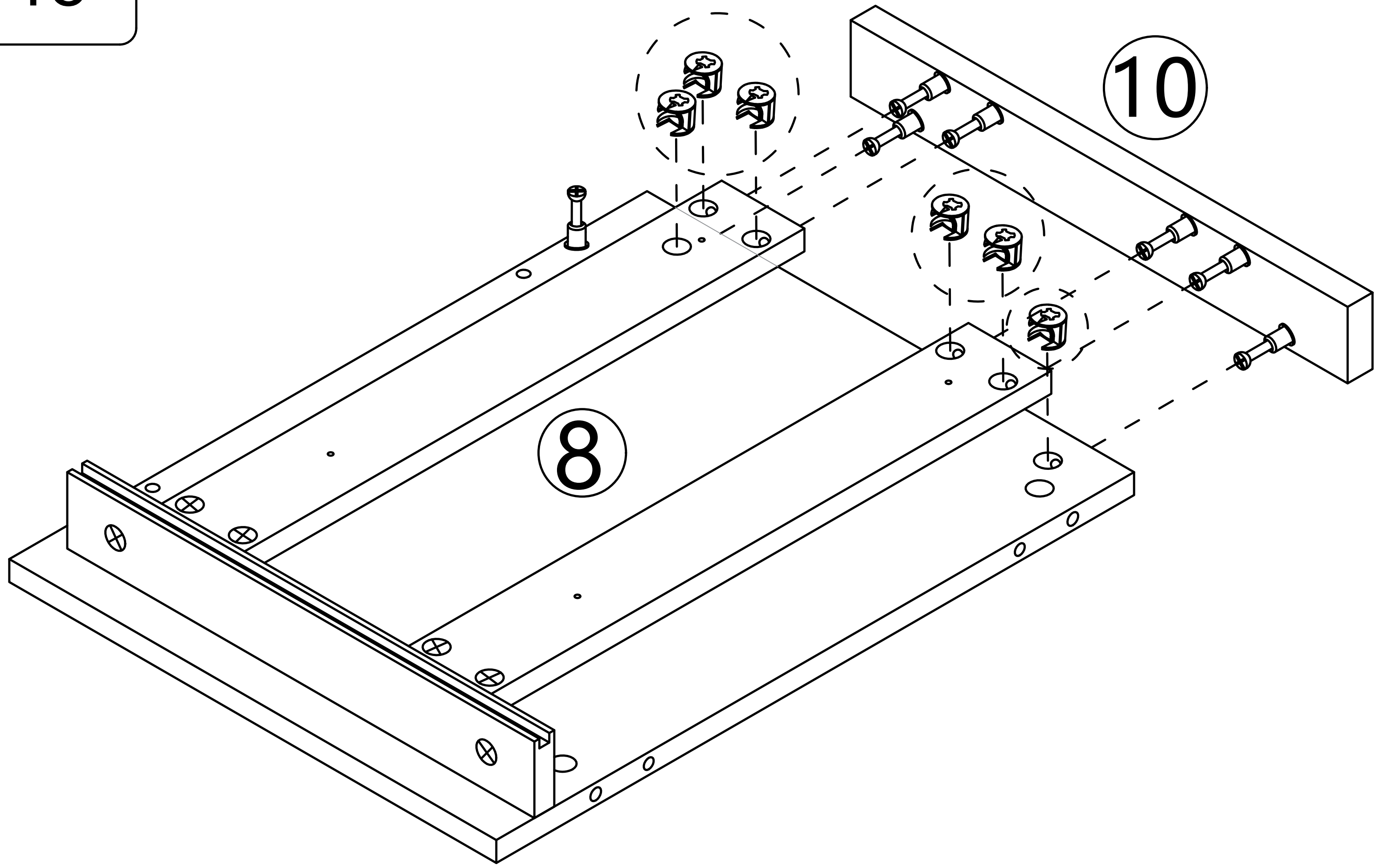
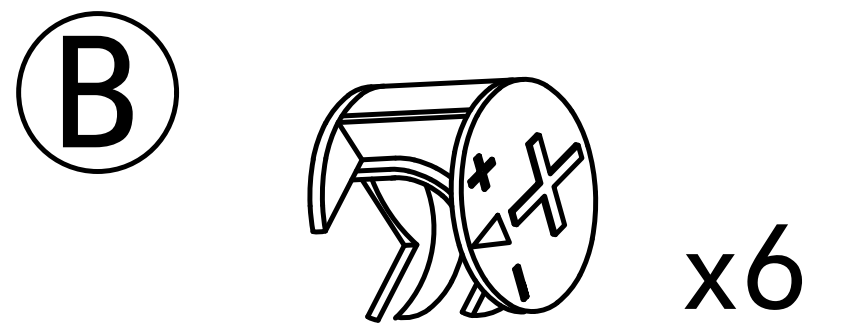
x4

Note: The guiding hole here is relatively close to the edge.

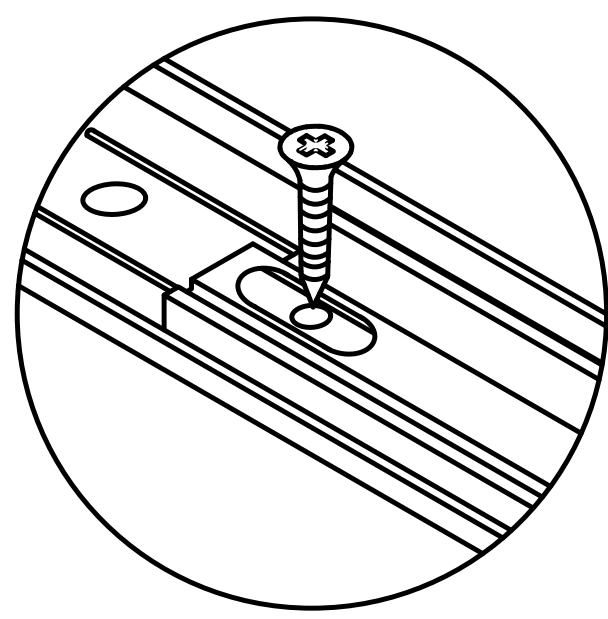
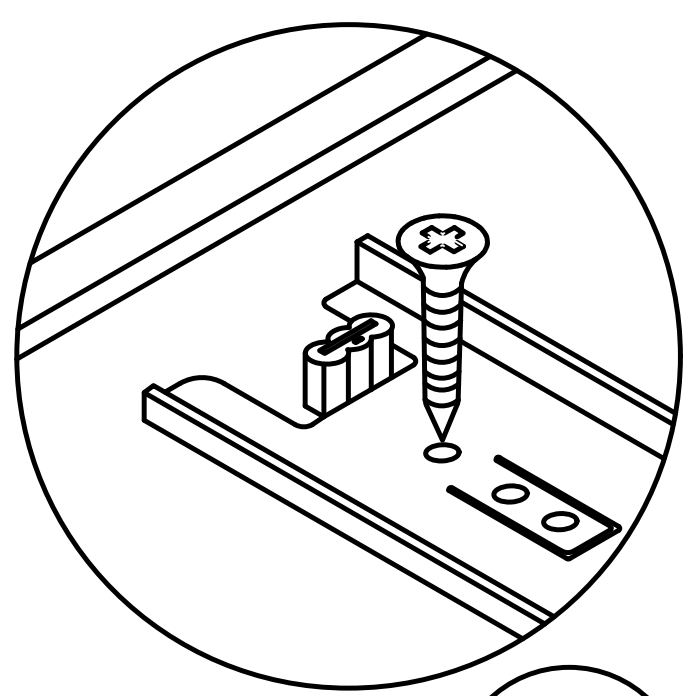
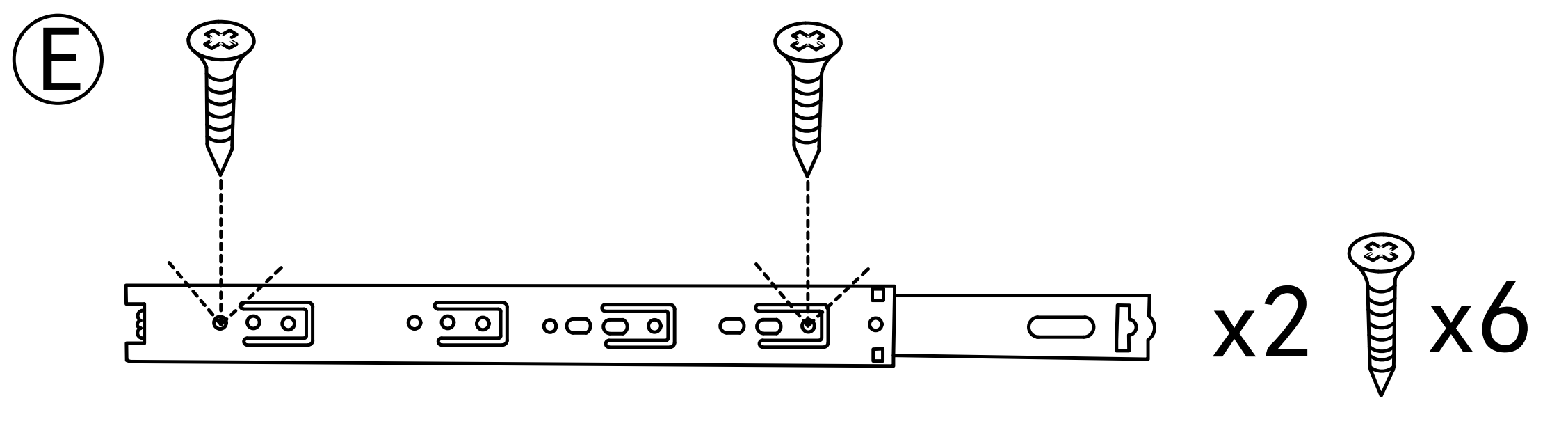


15

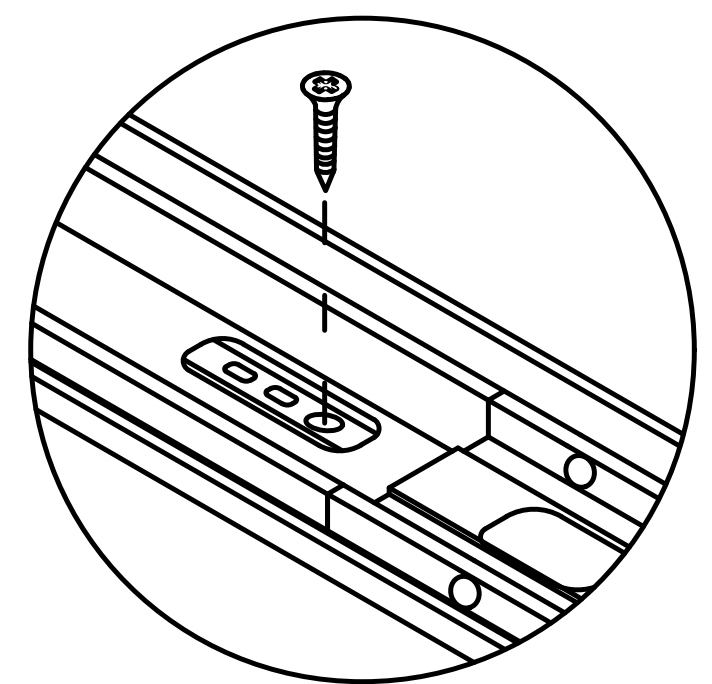
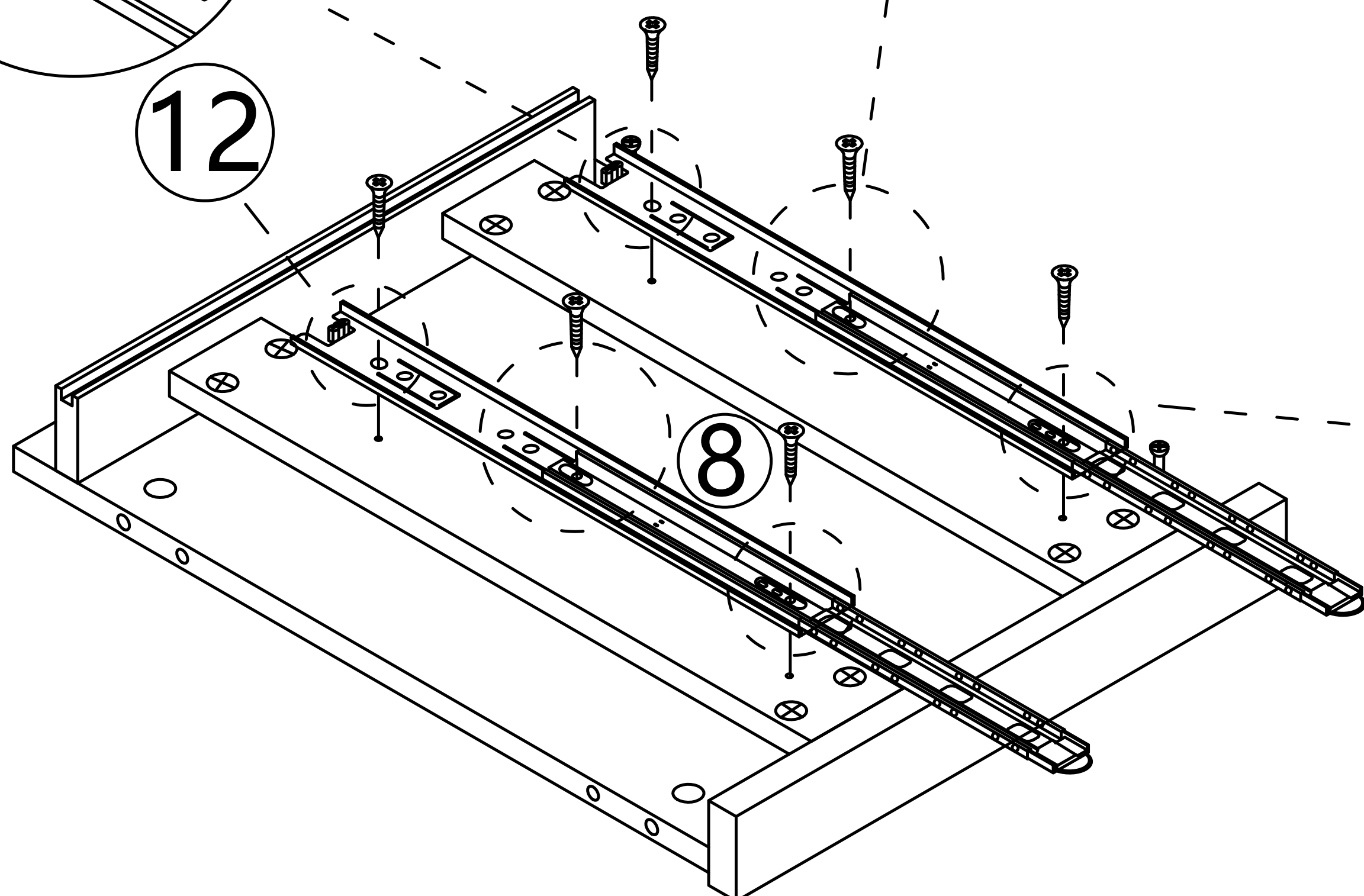
Step 18



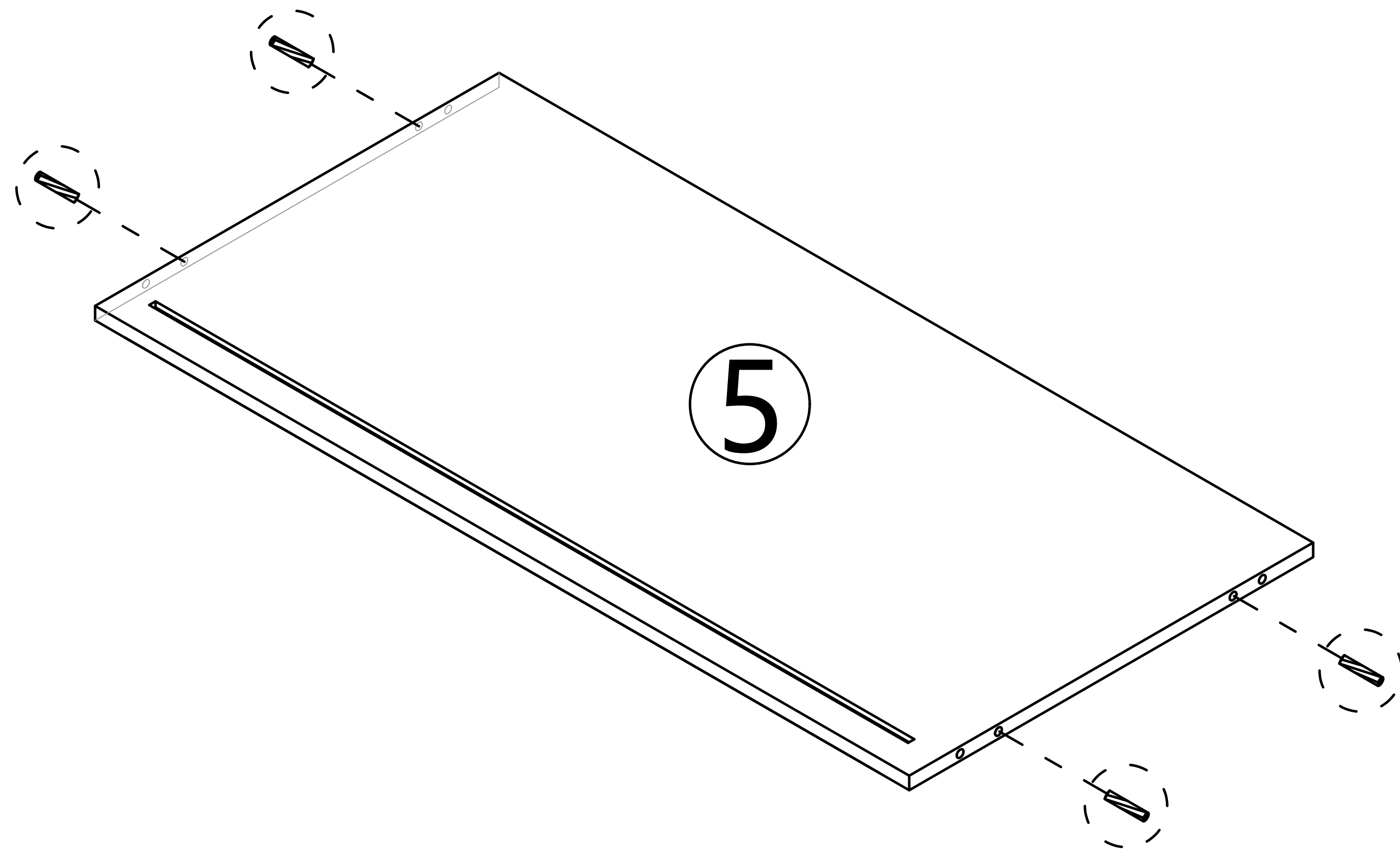
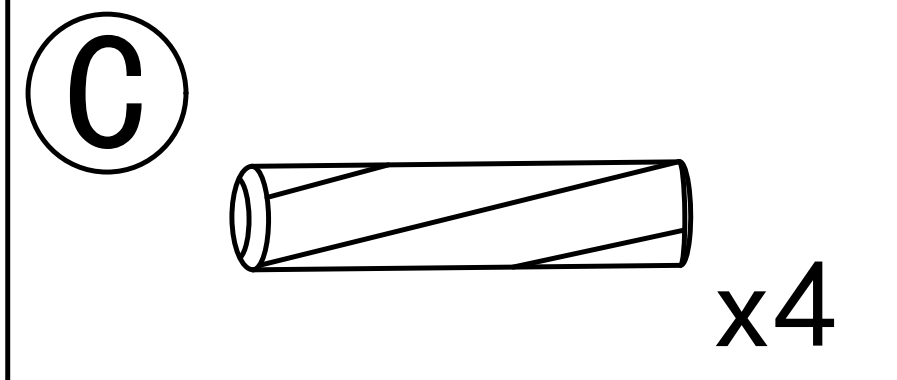
Step 19



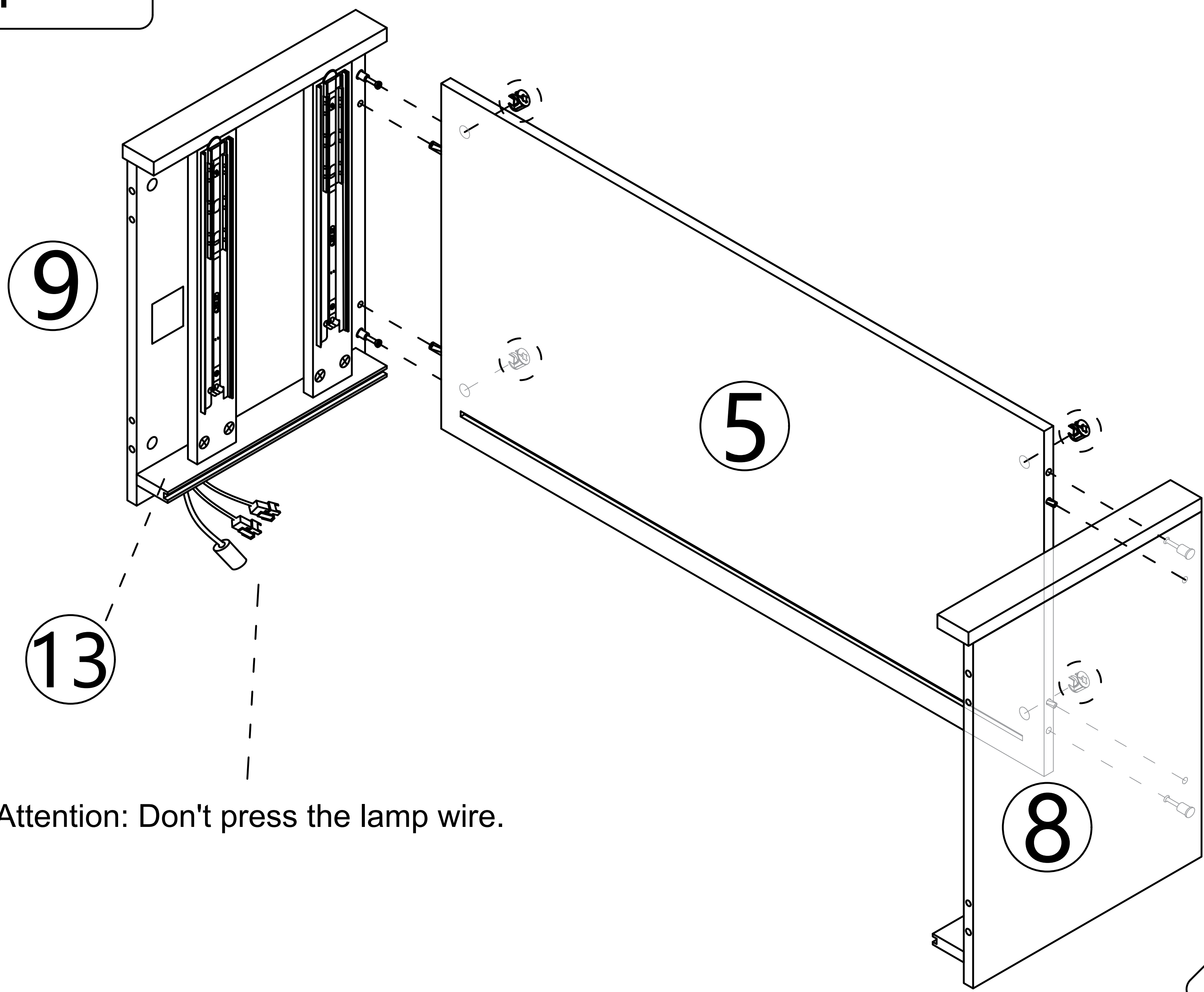
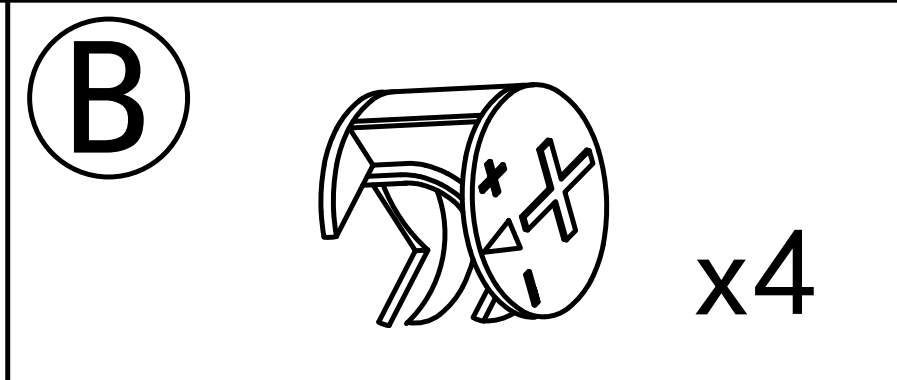
This hole is for strengthening fixed hole customers can choose to install according to their needs.



Step 20

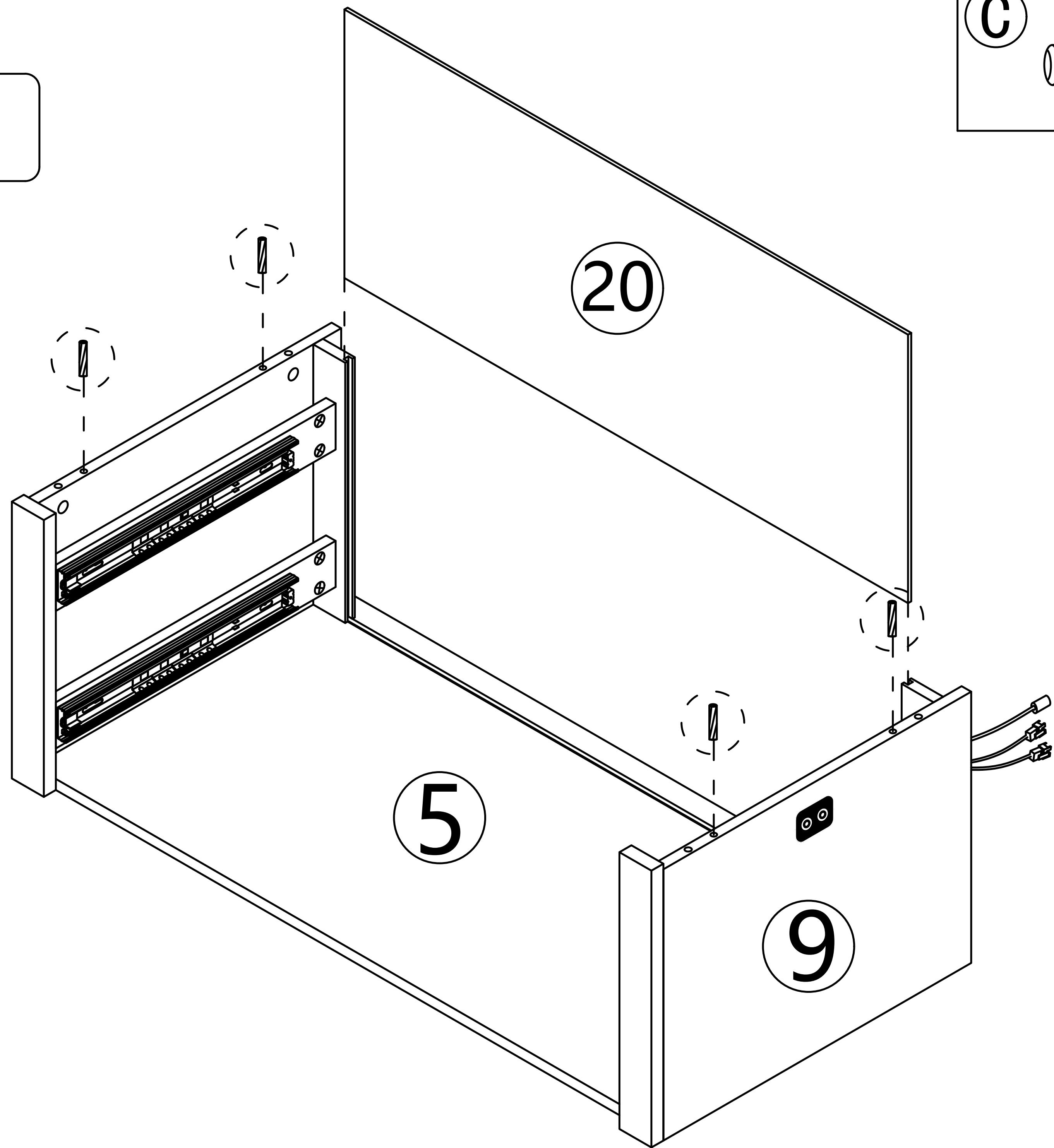
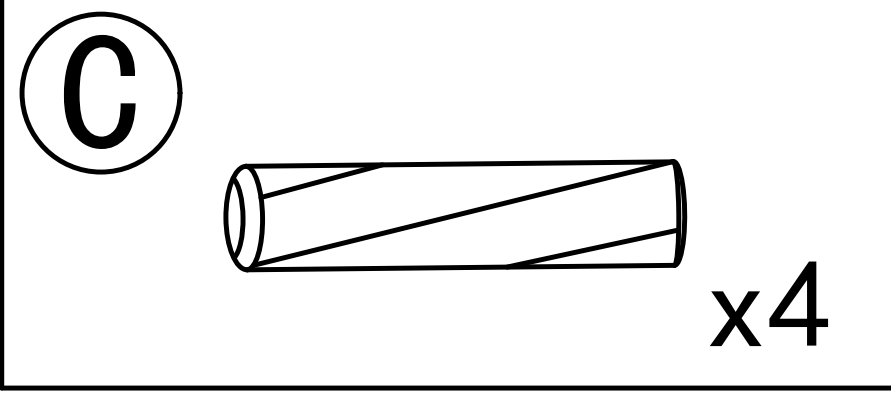


Step 21

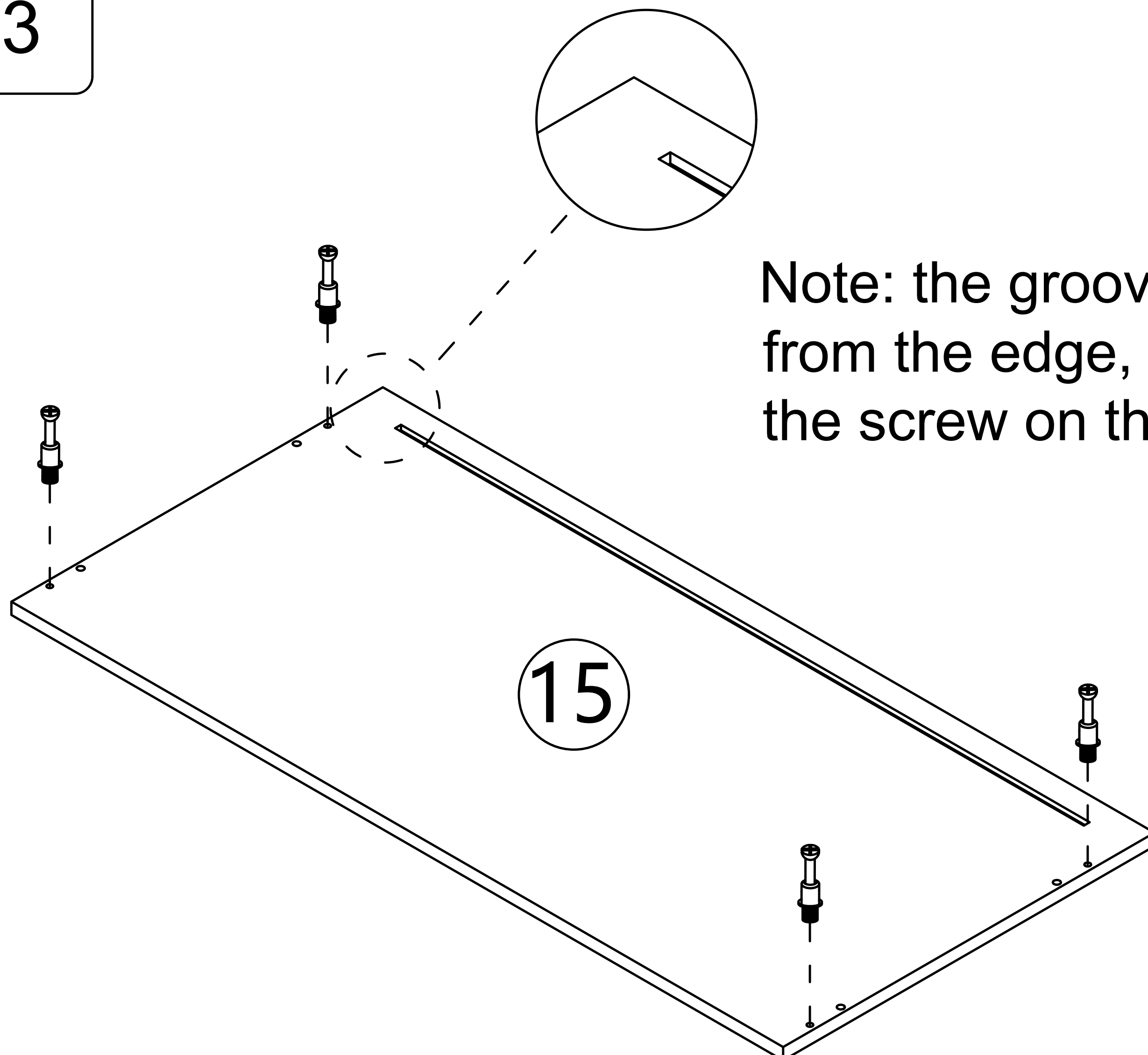
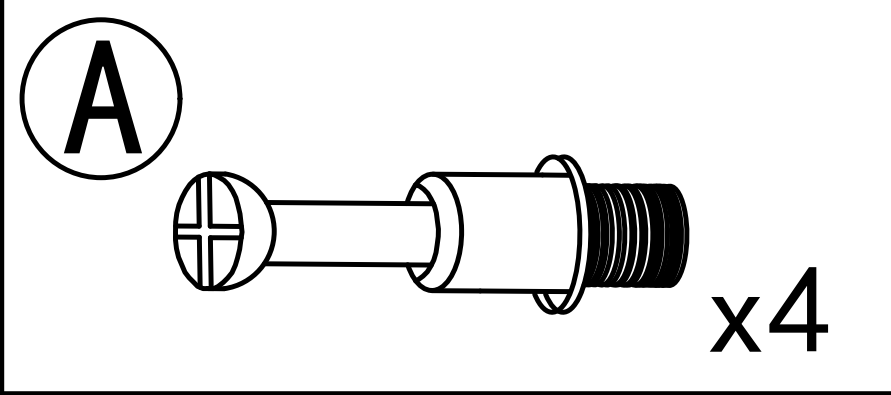


Attention: Don't press the lamp wire.

Step 22



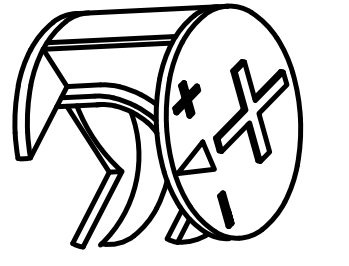
Step 23



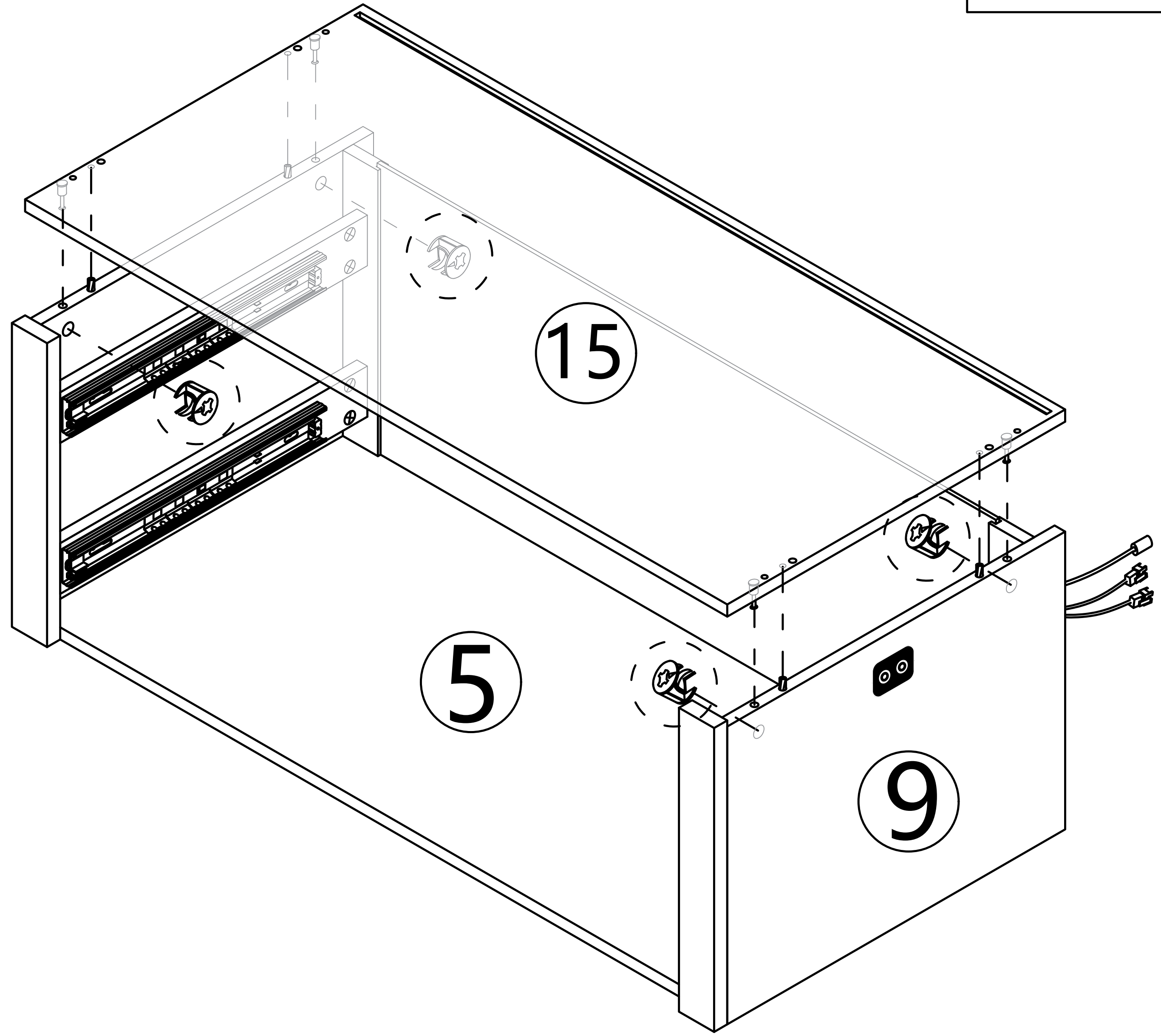
Note: the groove here is far from the edge, so don't install the screw on the wrong side.

Step 24

B

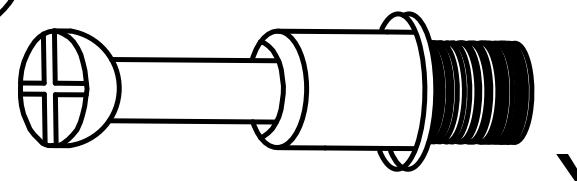


x4

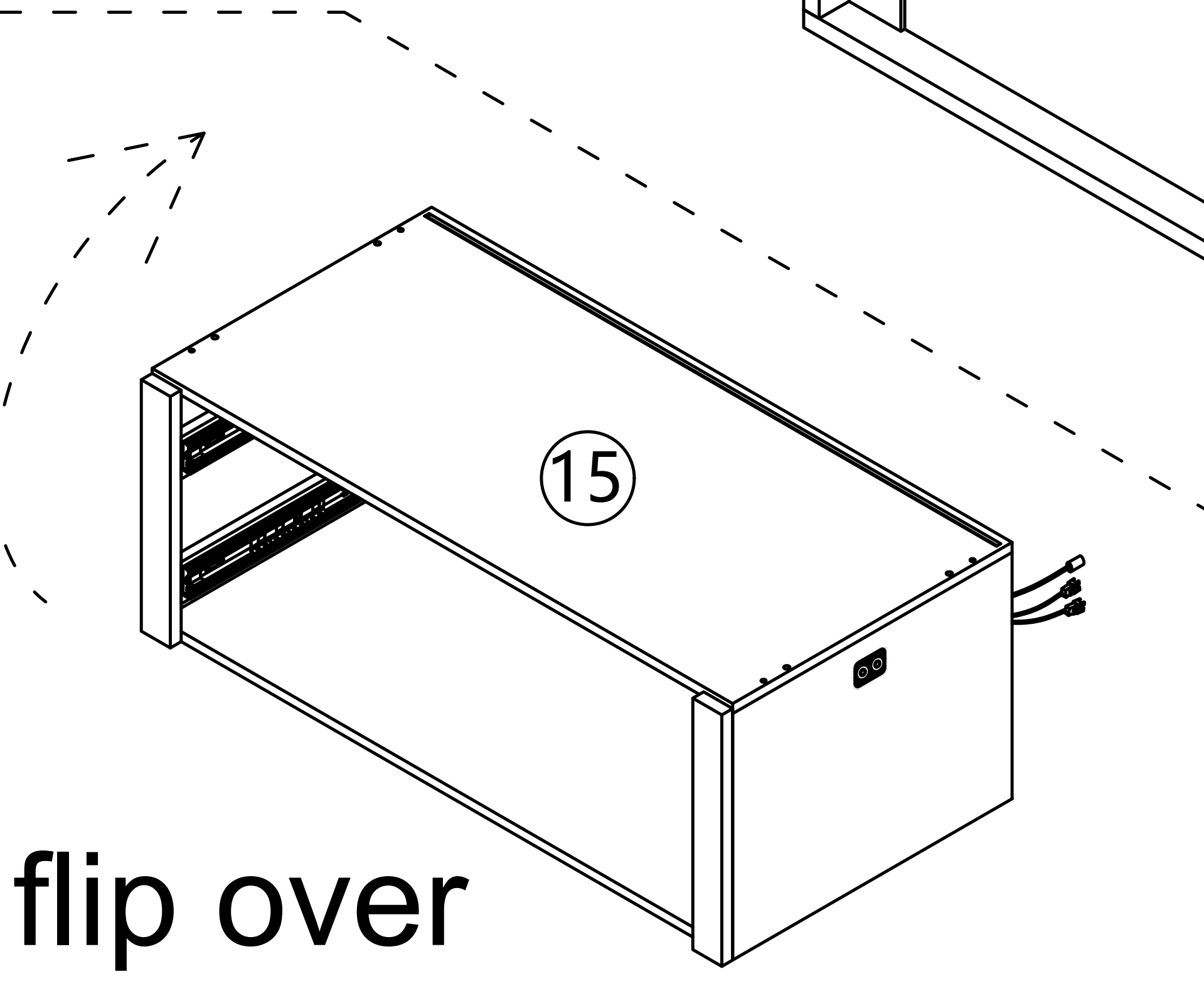
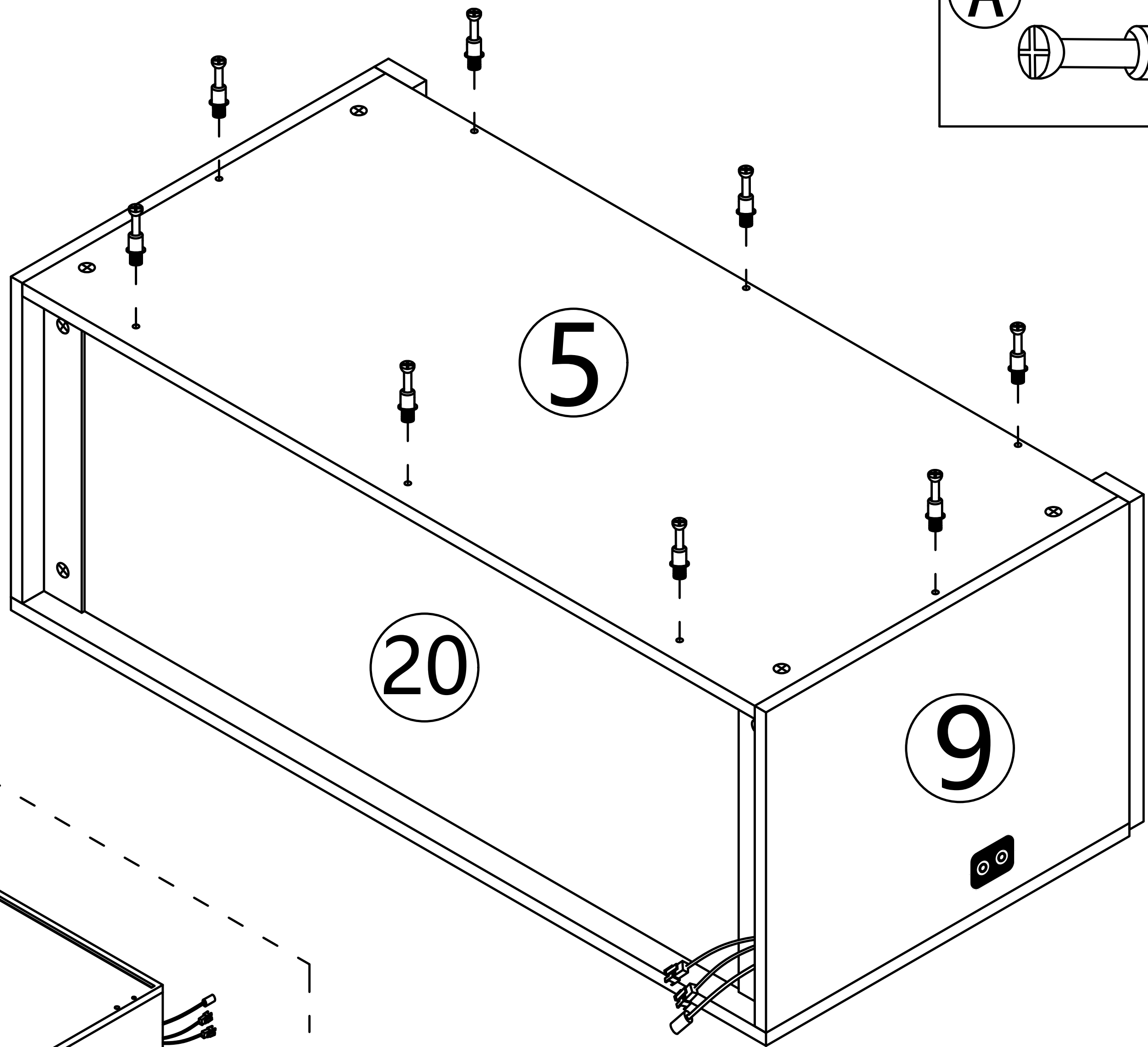


Step 25

A

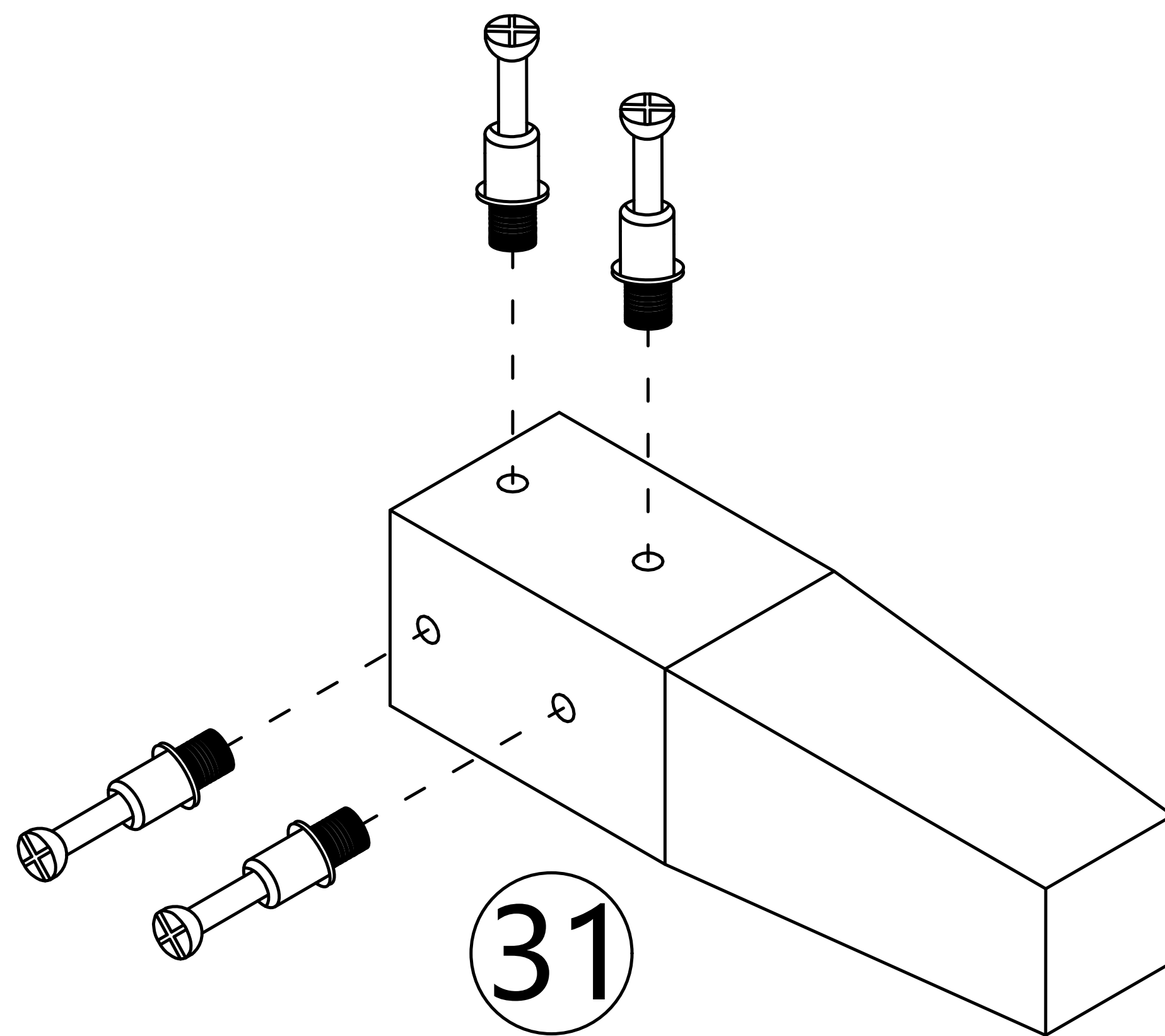
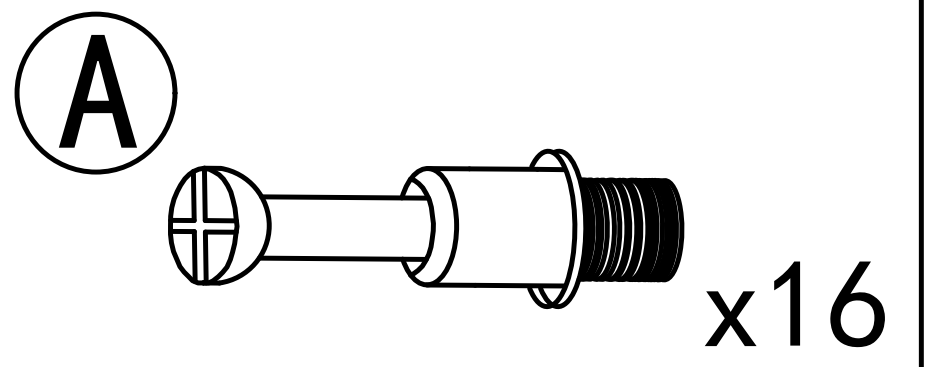


x8



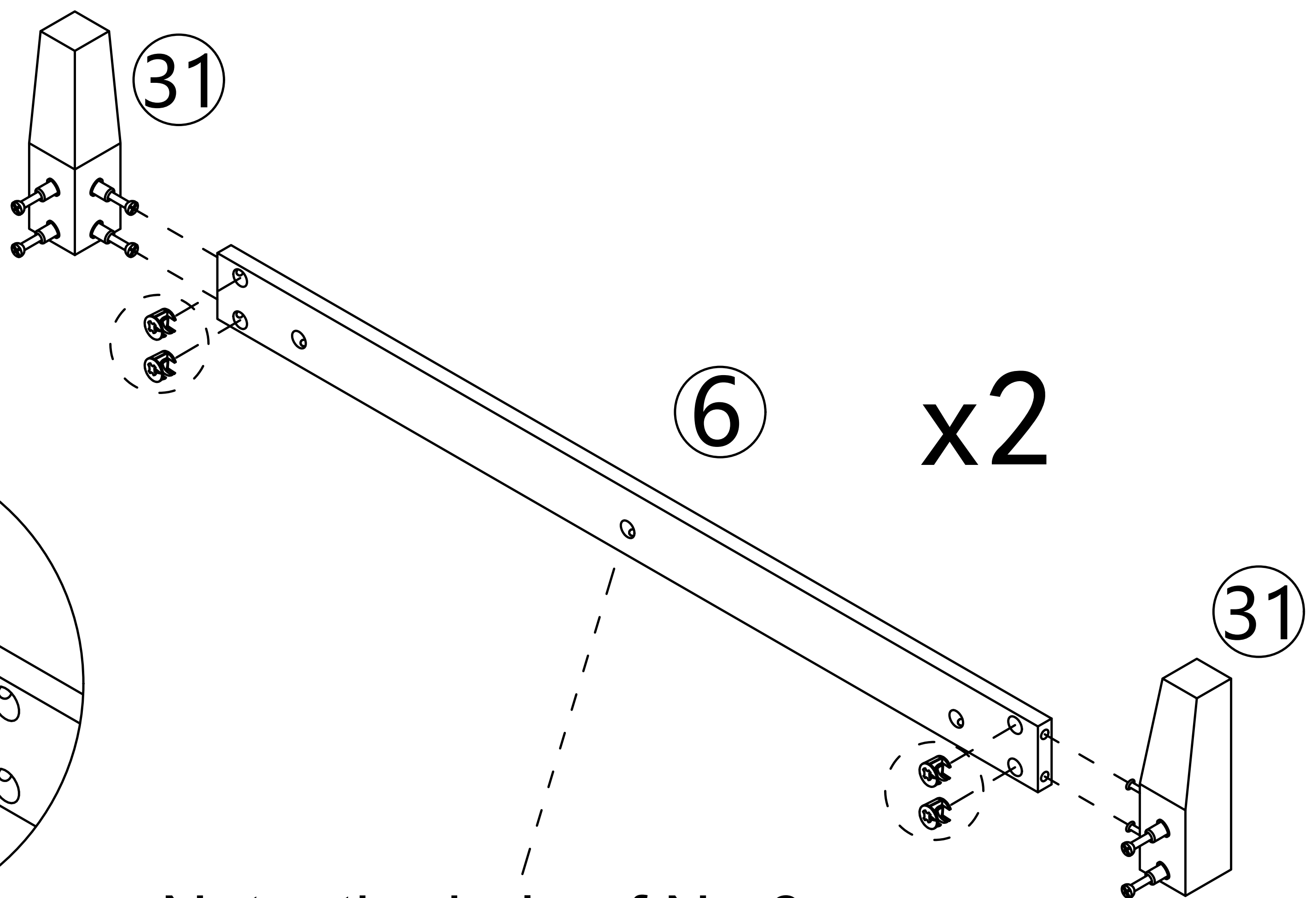
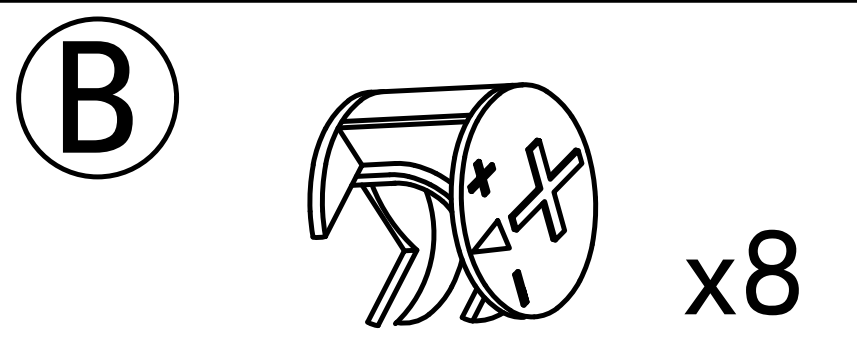
flip over

Step 26



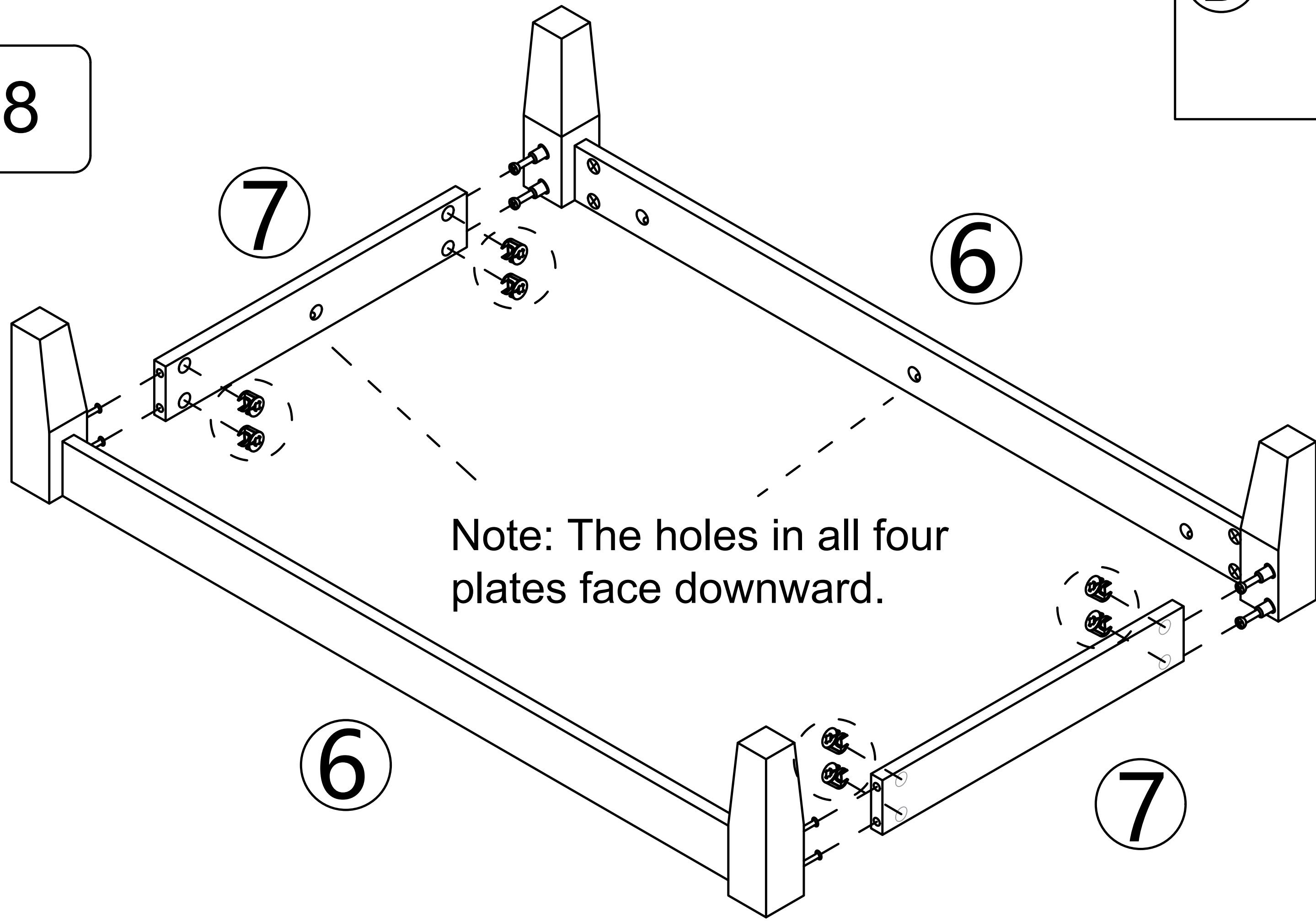
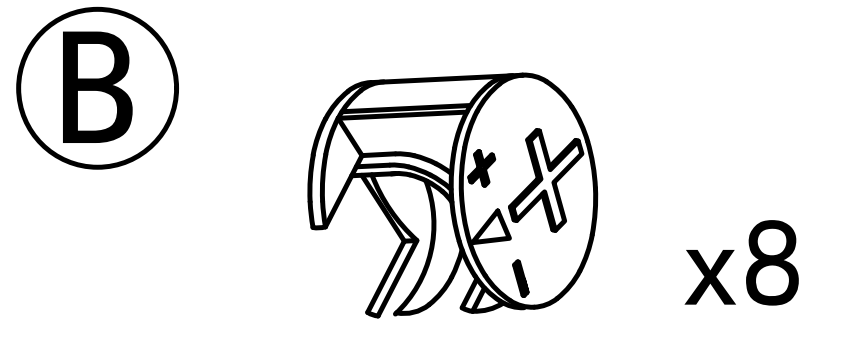
31 x 4

Step 27

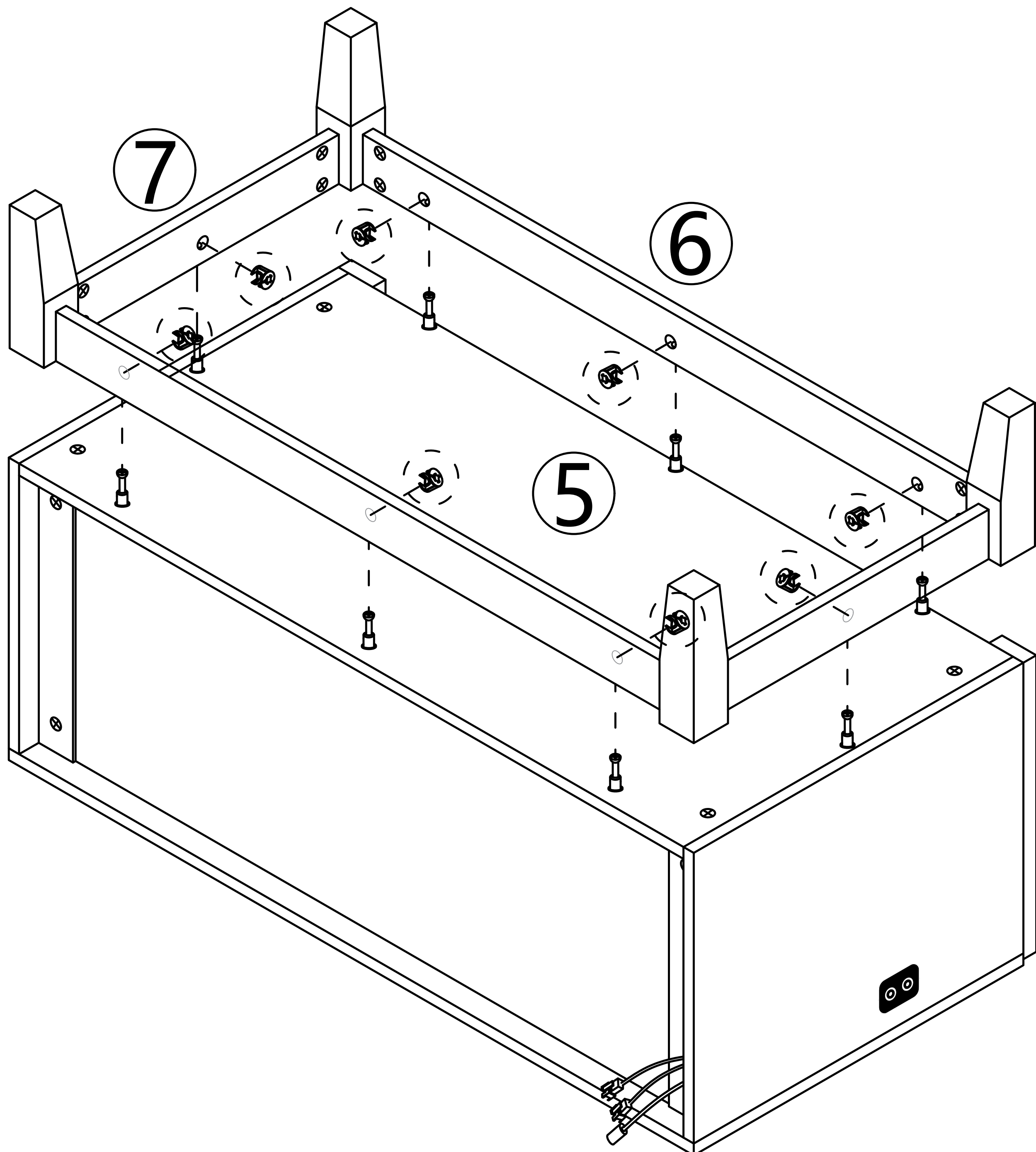
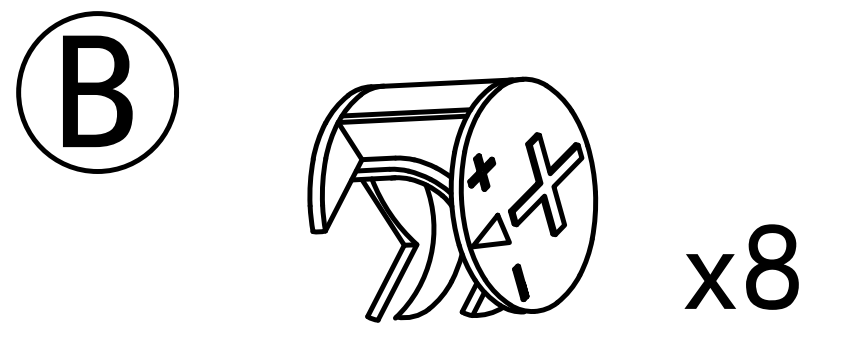


Note: the hole of No.6 plate faces downwards.

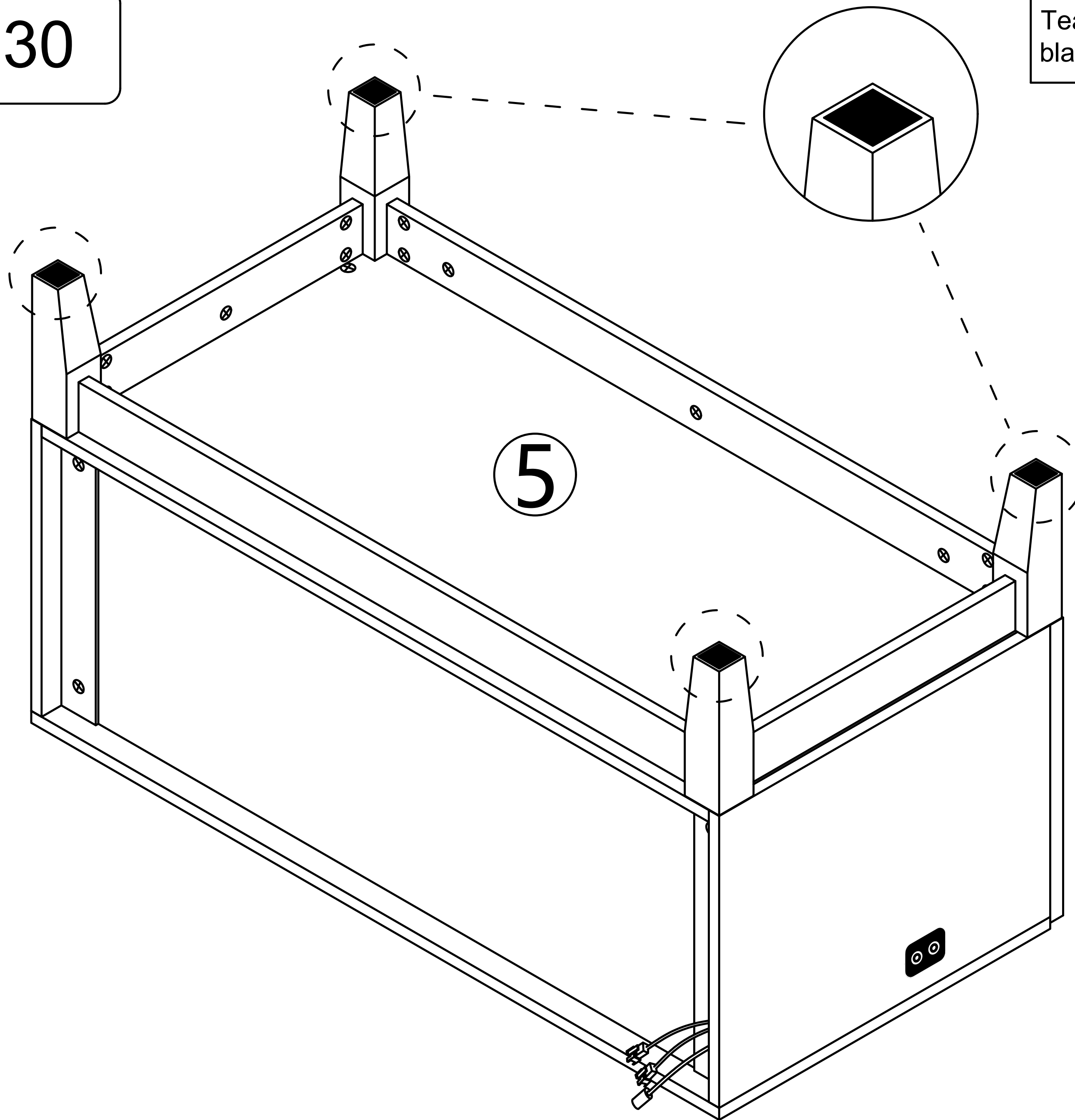
Step 28

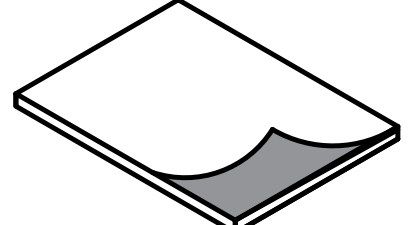


Step 29



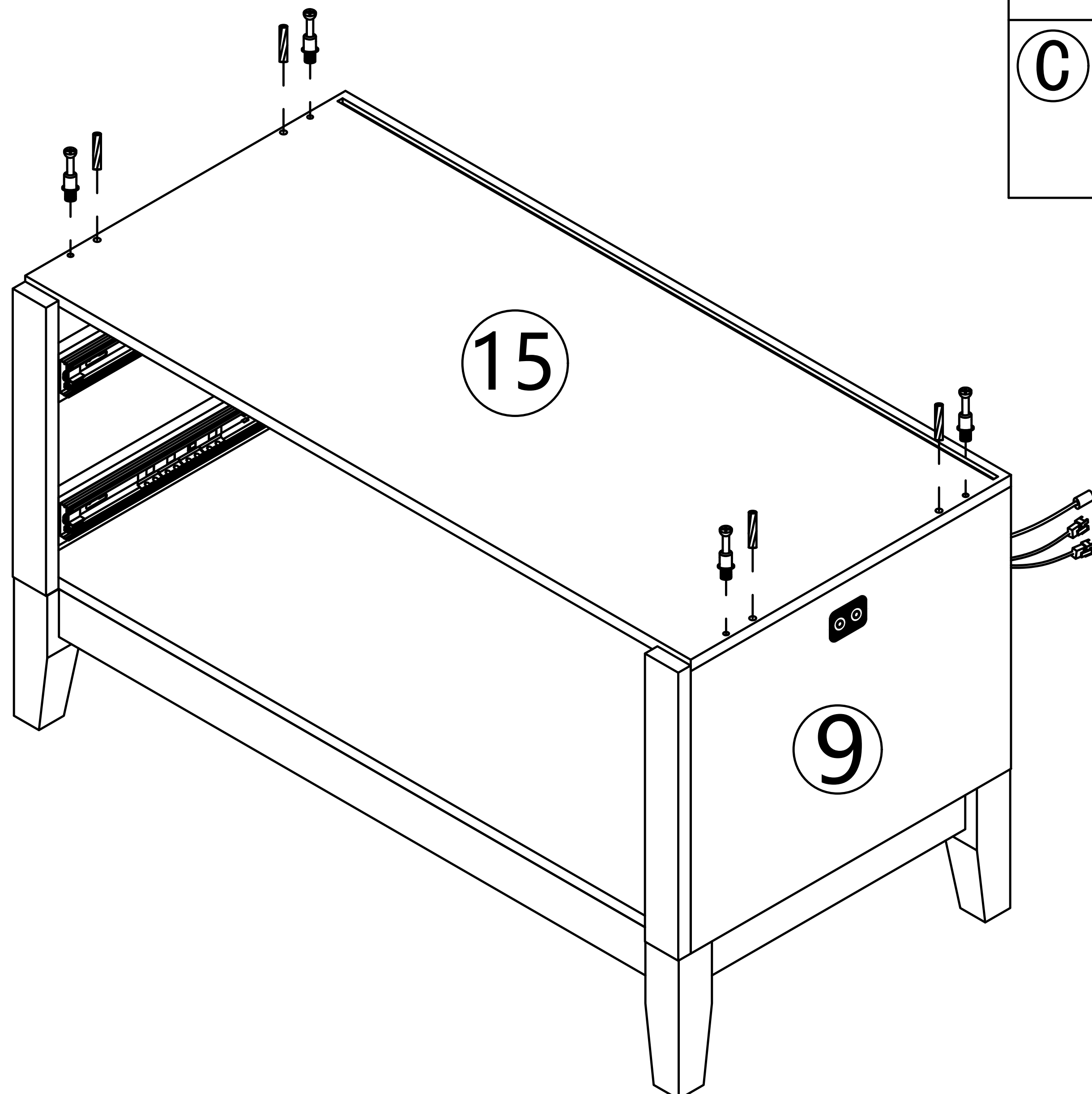
Step 30

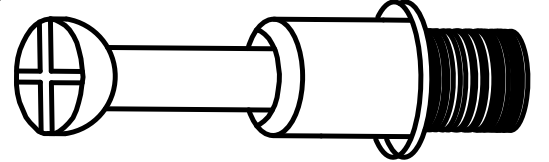


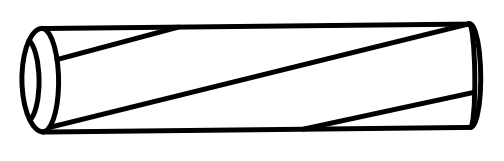
G  x4

Tear off release paper and stick the black foot pad on the board

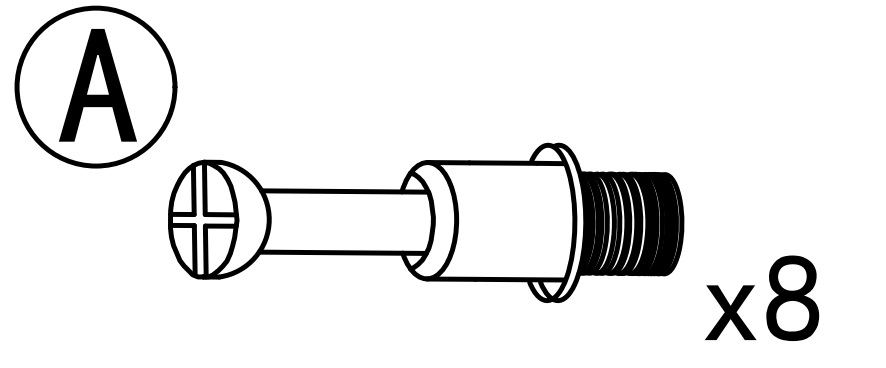
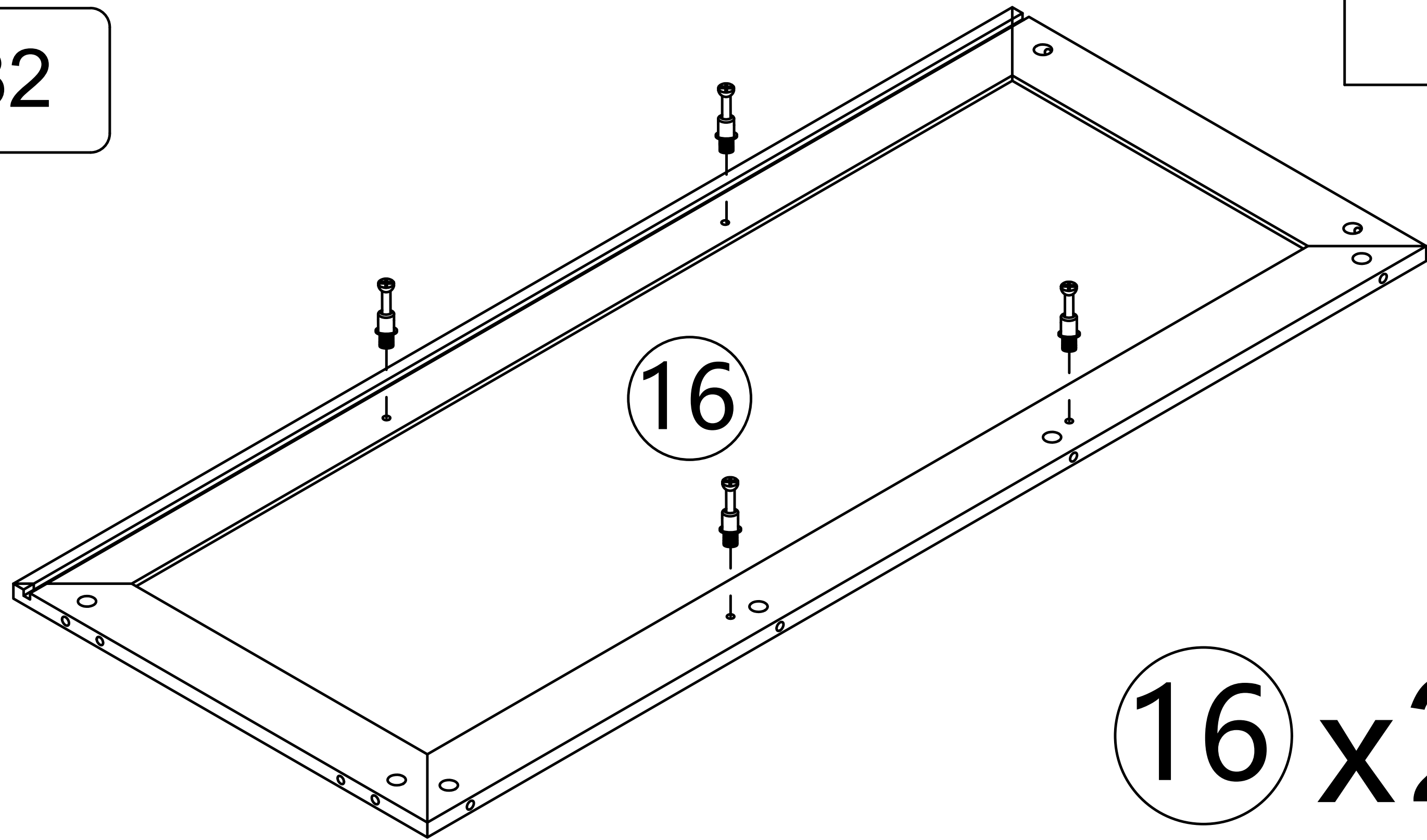
Step 31



A  x4

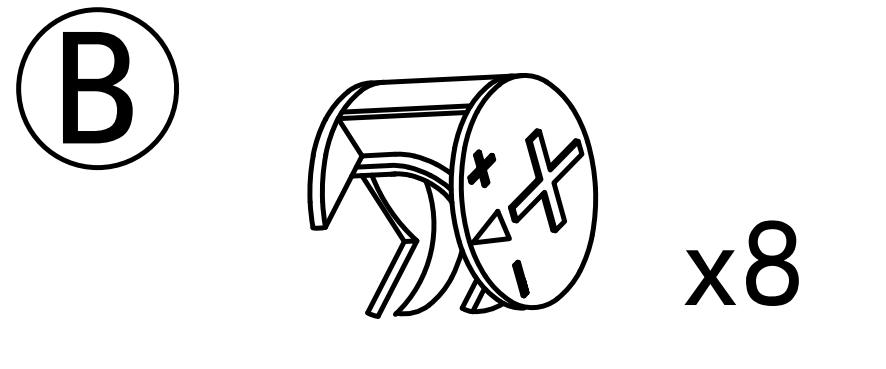
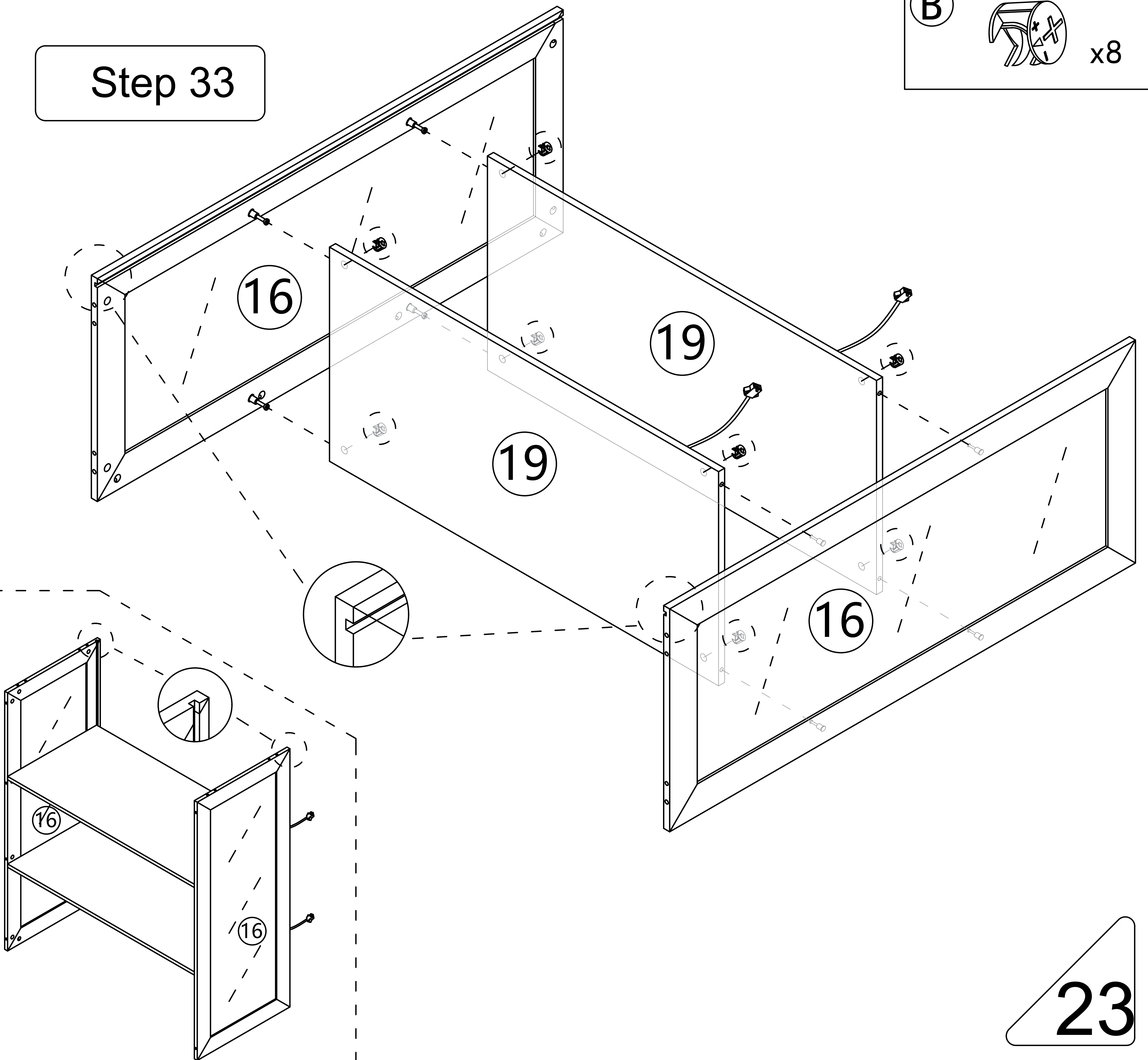
C  x4

Step 32

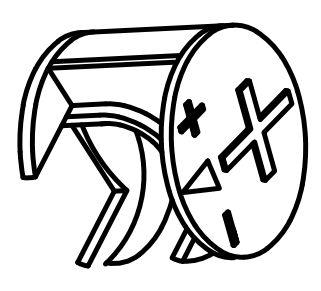


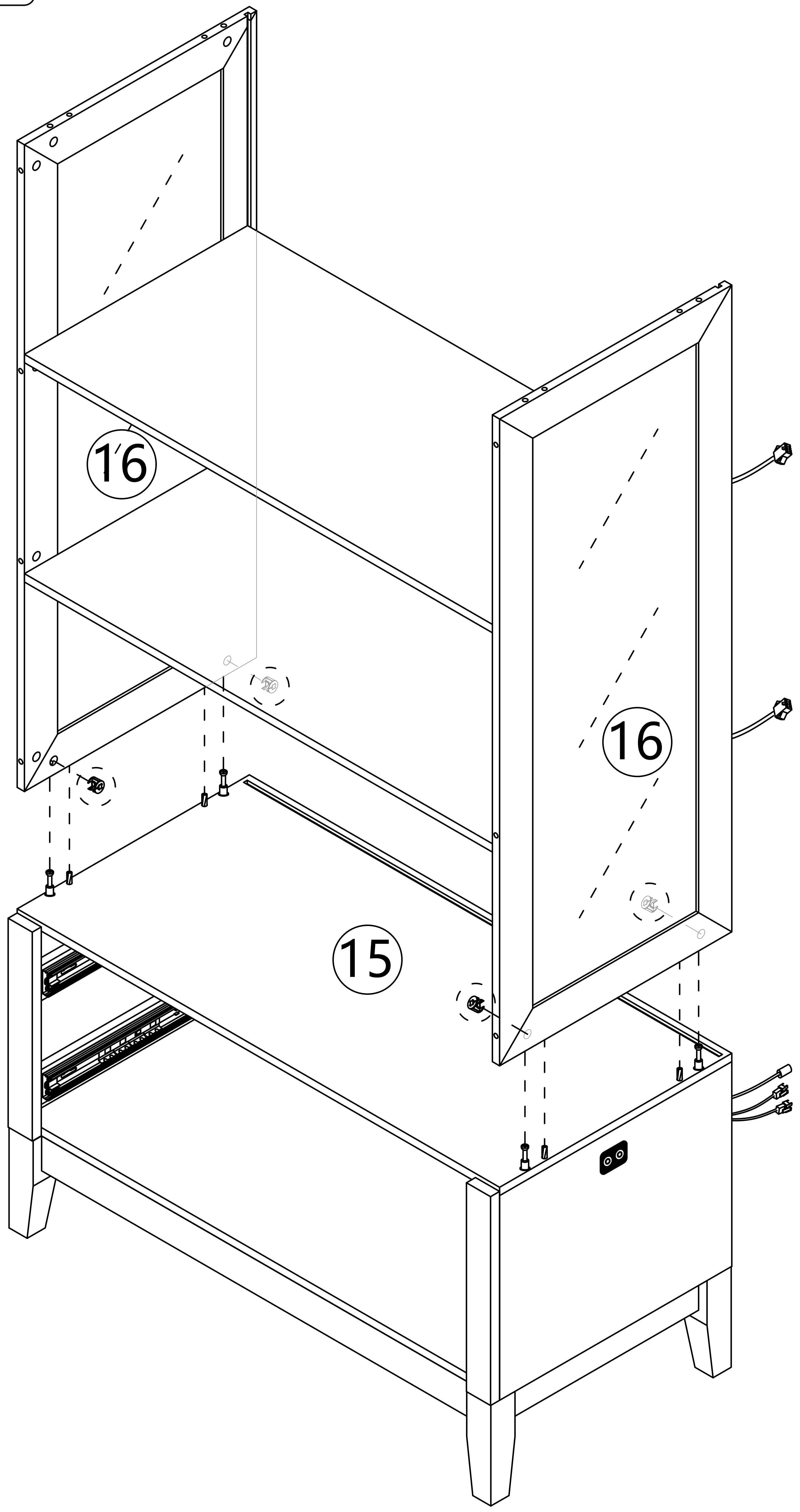
16 x2

Step 33

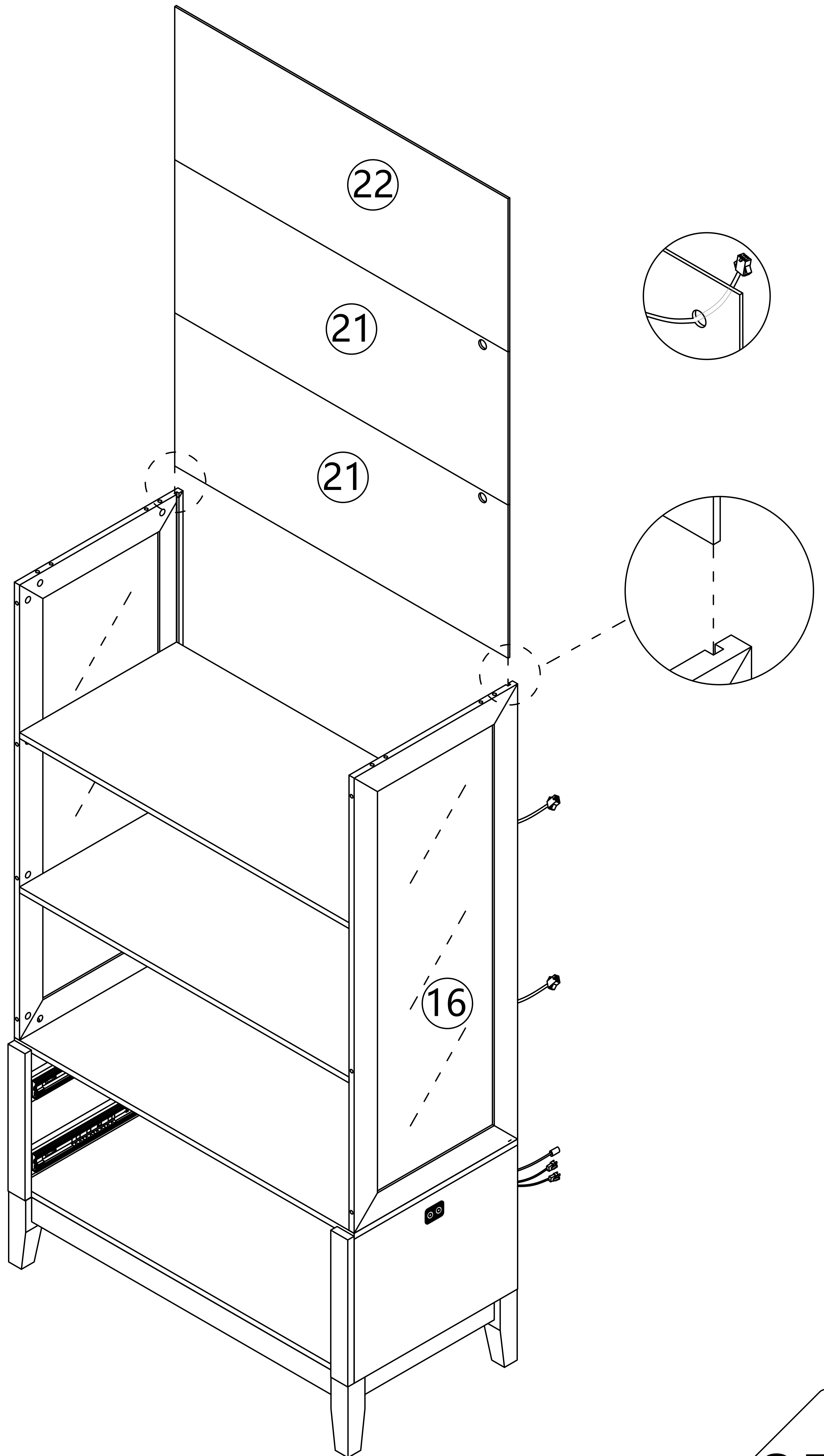


Step 34

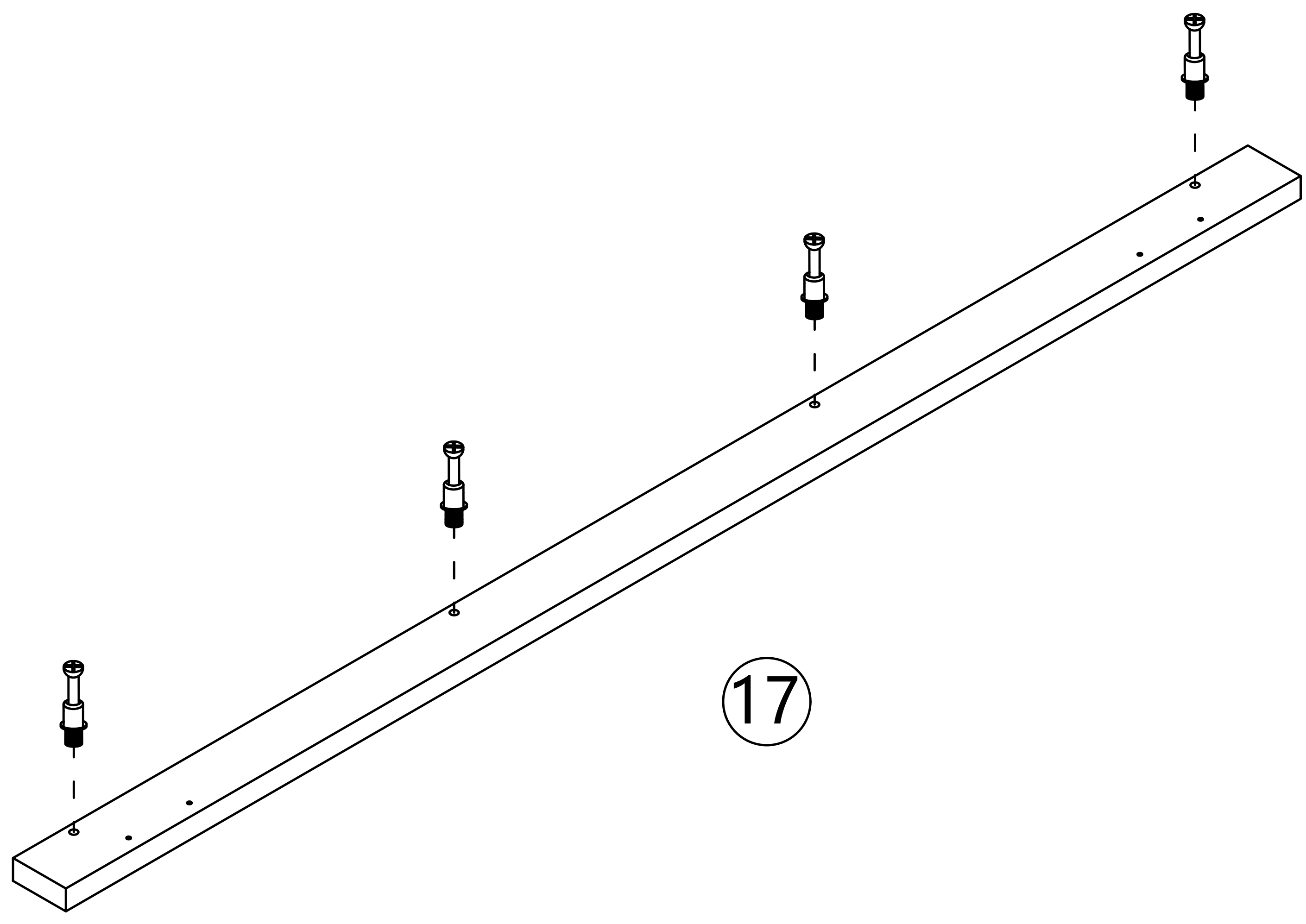
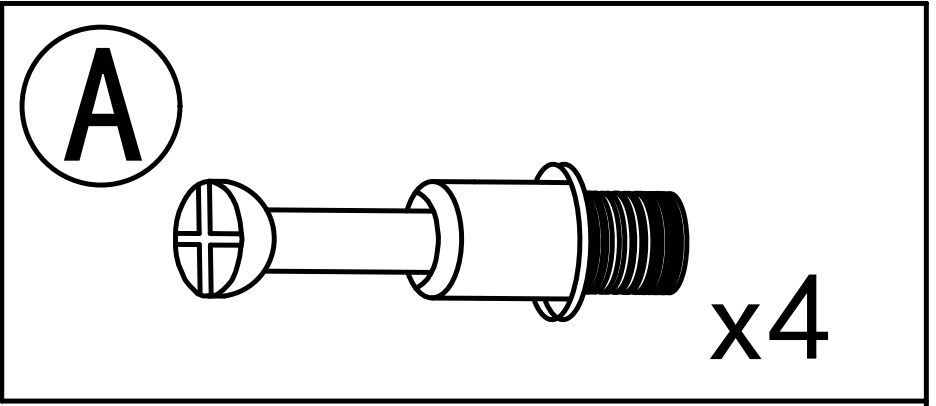
B  x4



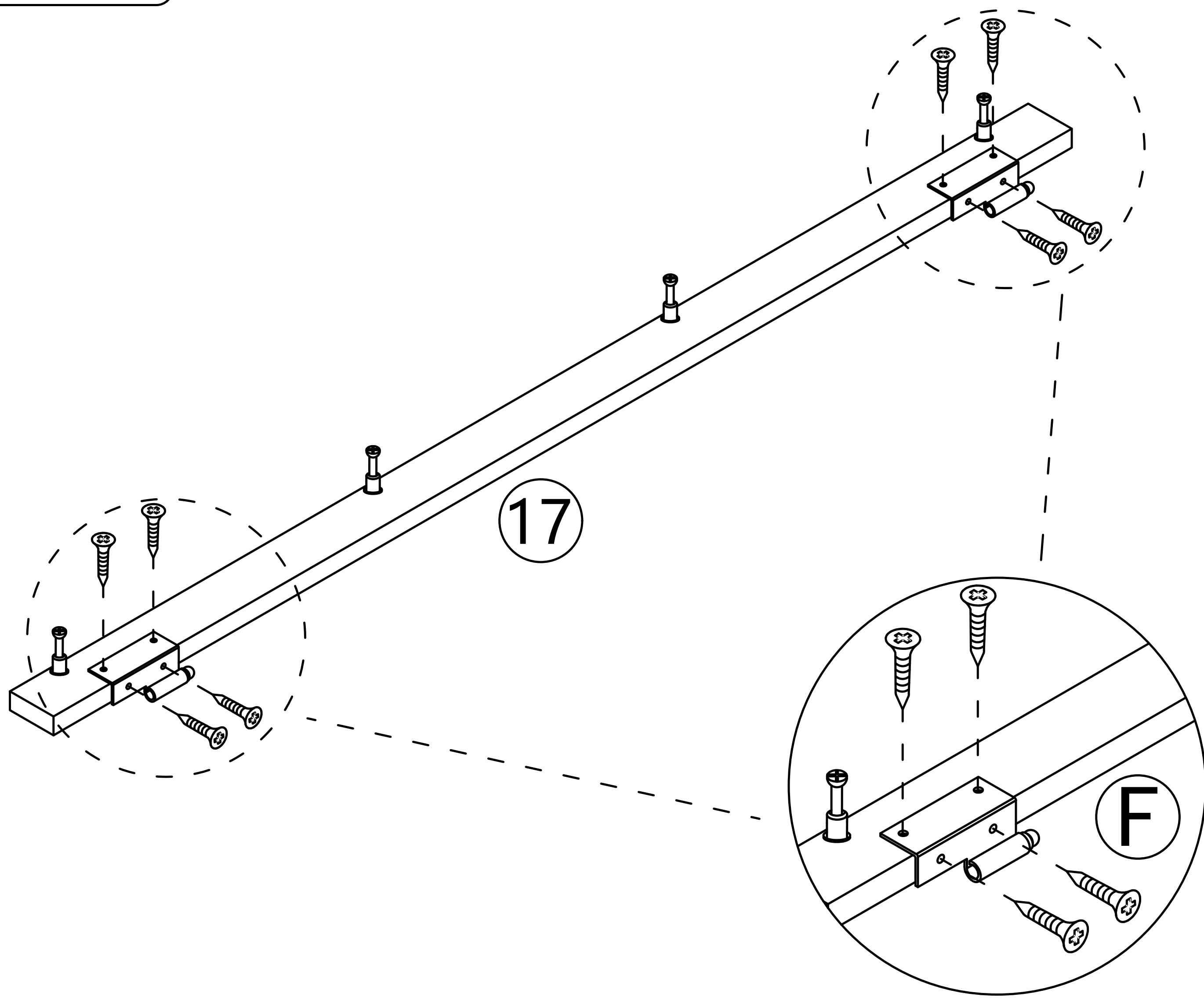
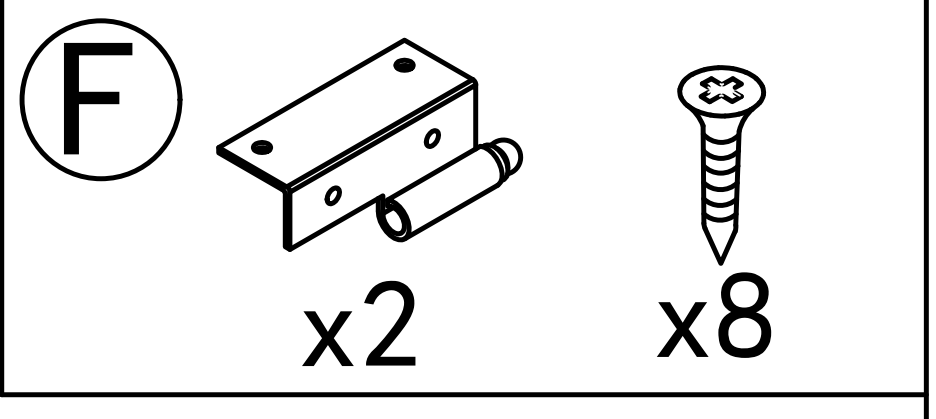
Step 35



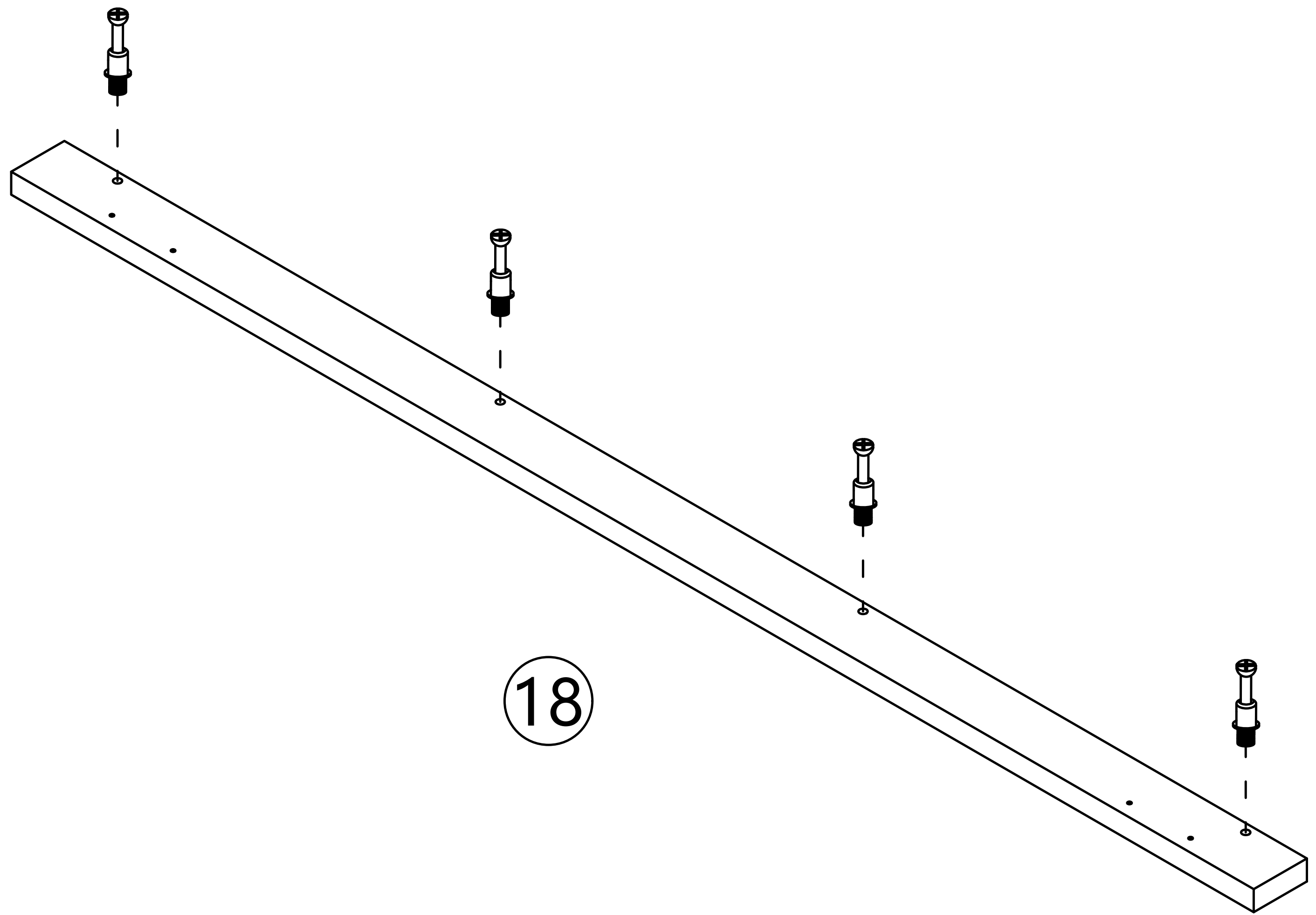
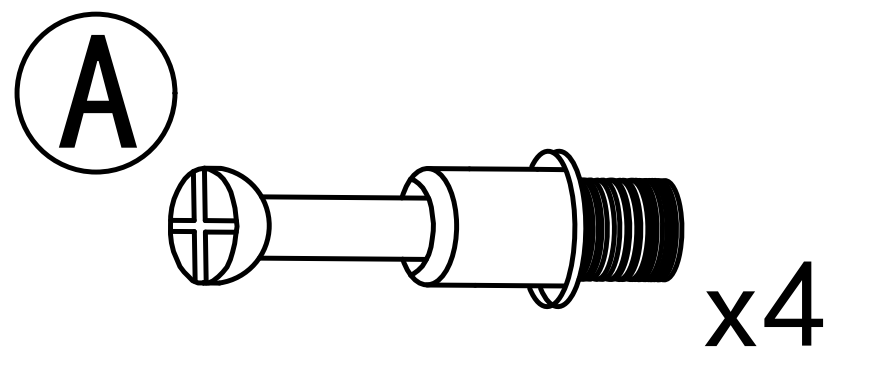
Step 36



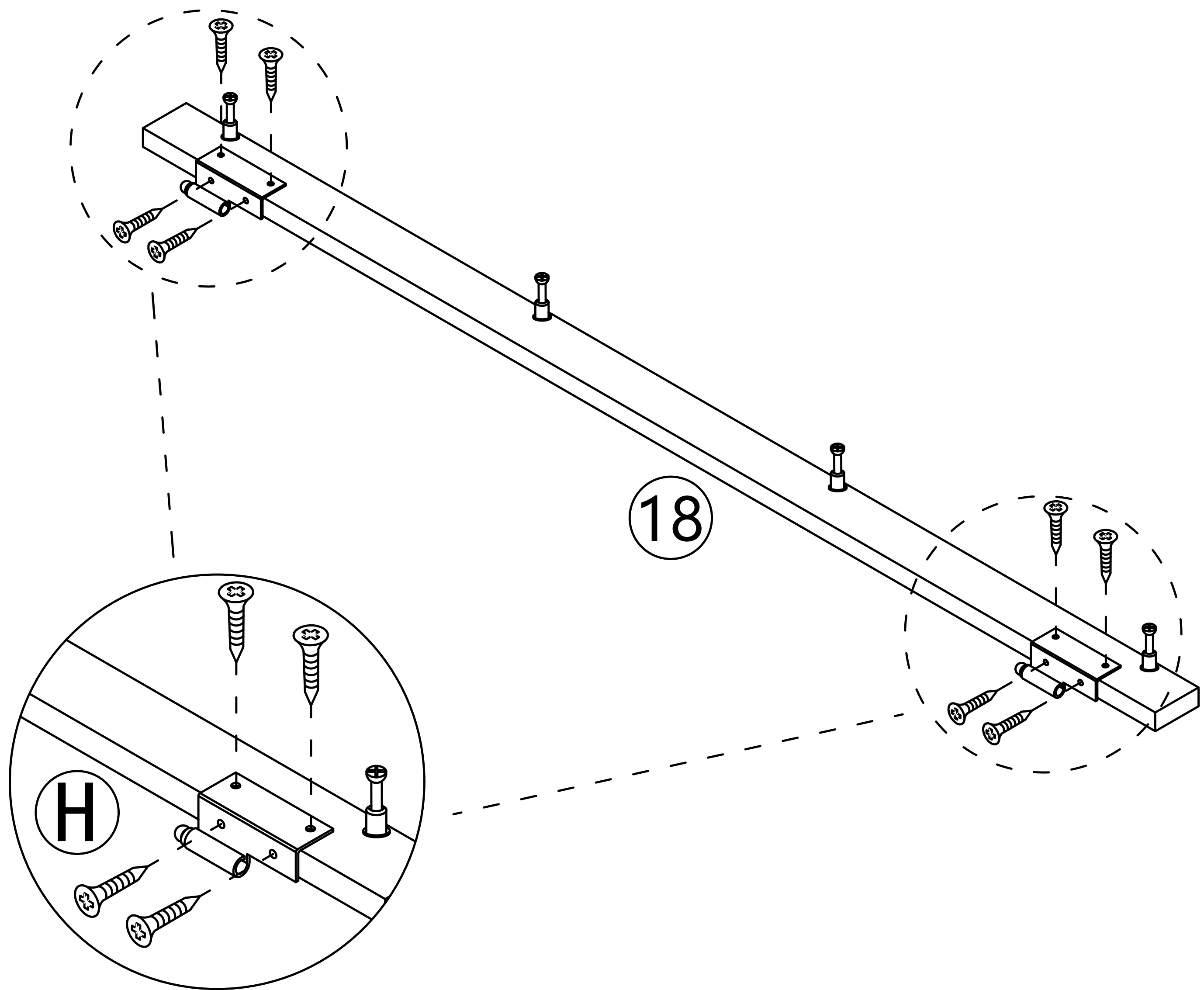
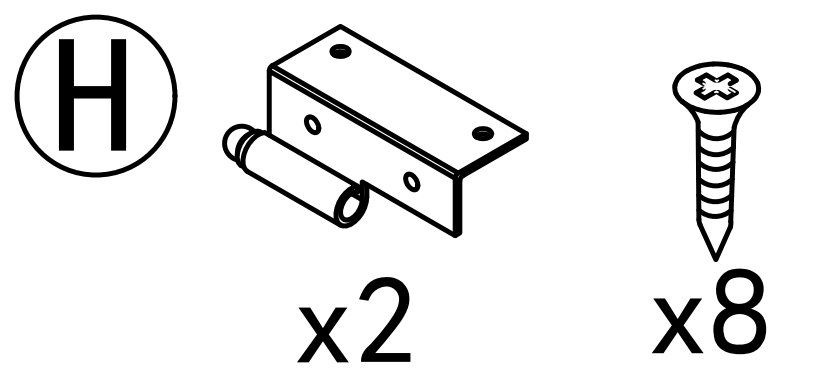
Step 37



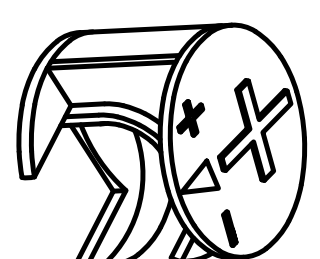

Step 38

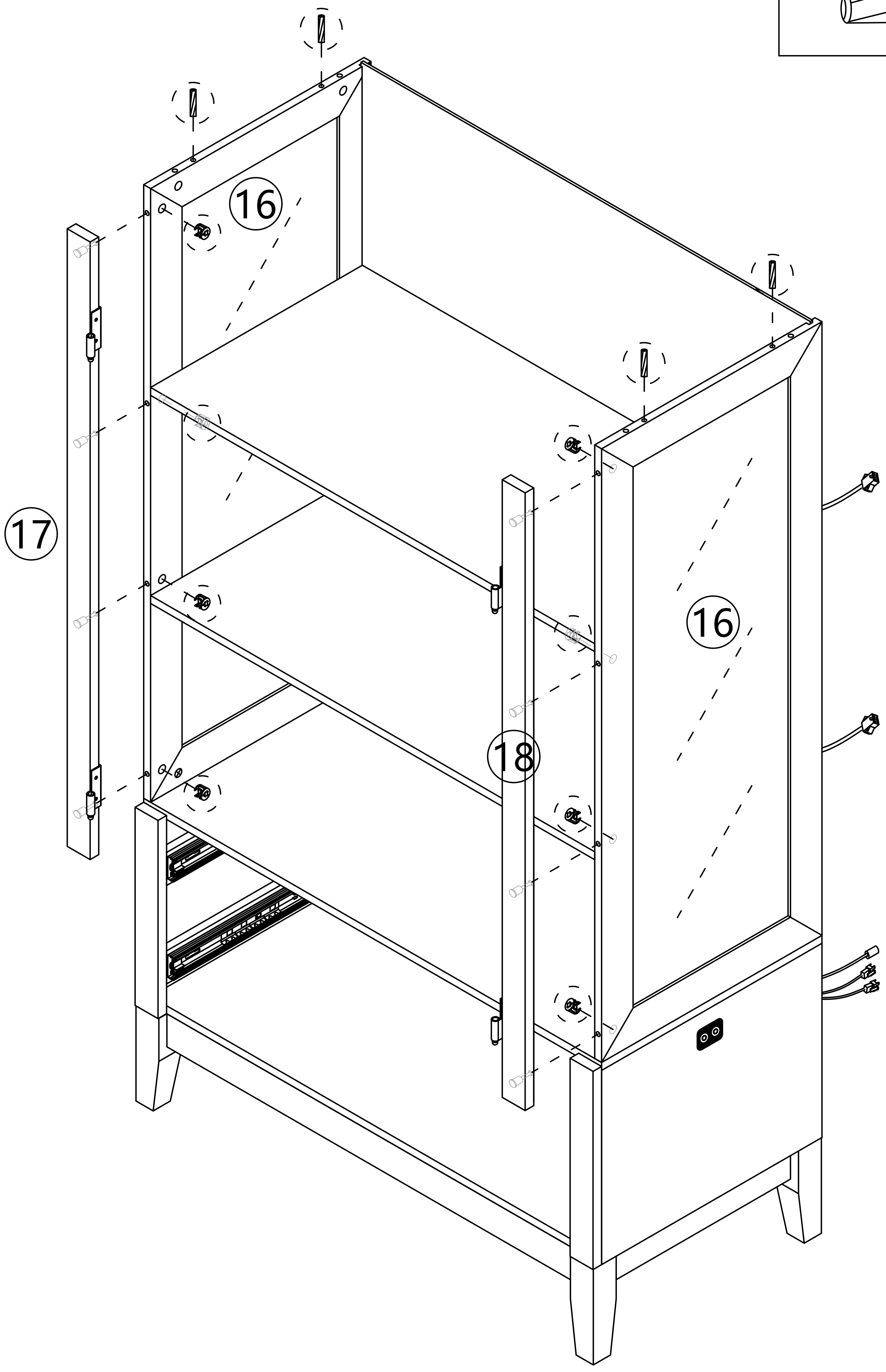


Step 39



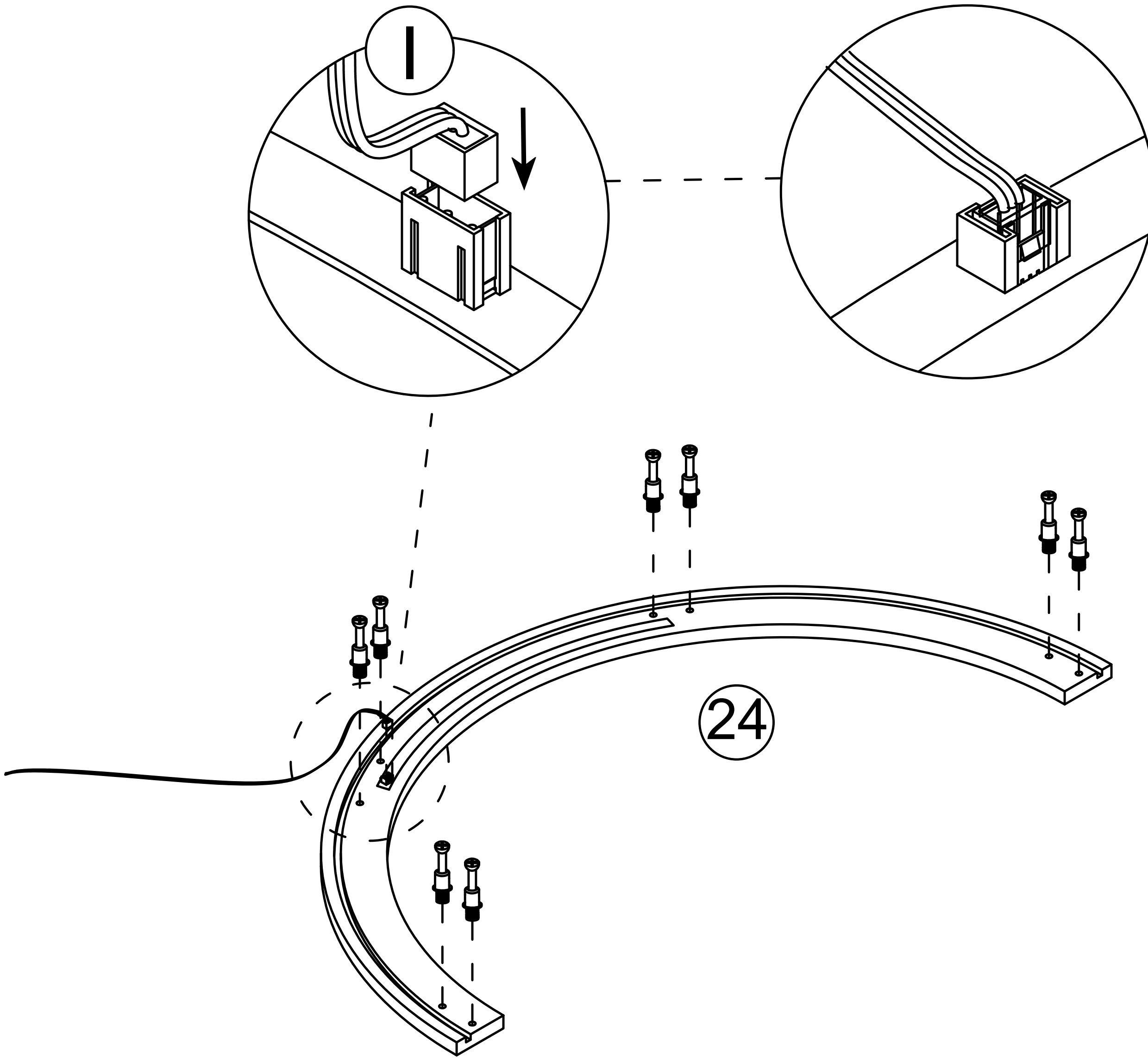
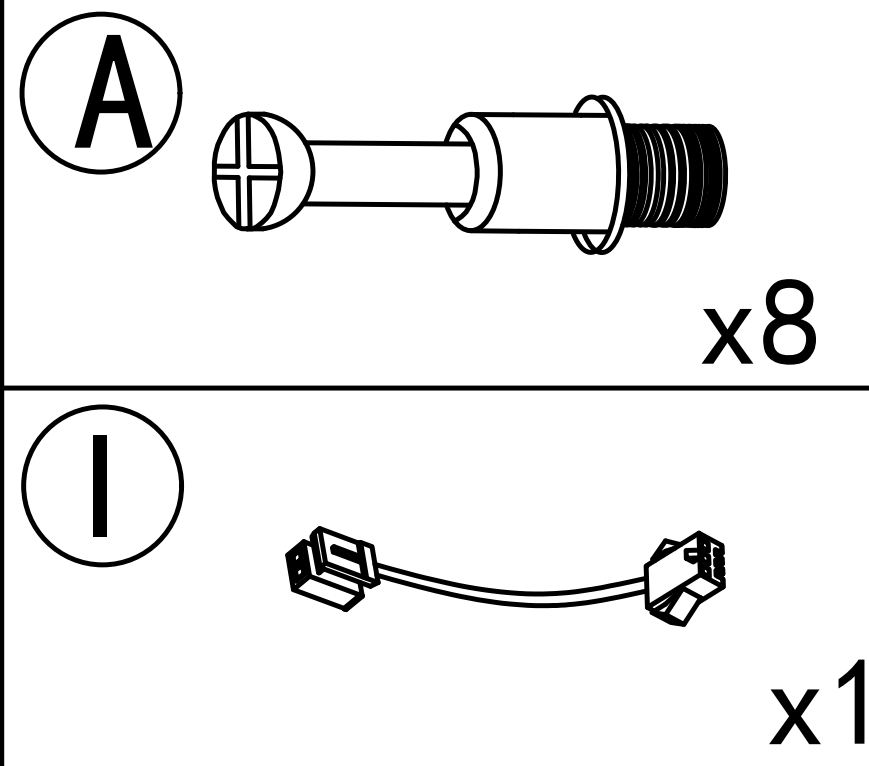
Step 40

- B**  x8
- C**  x4

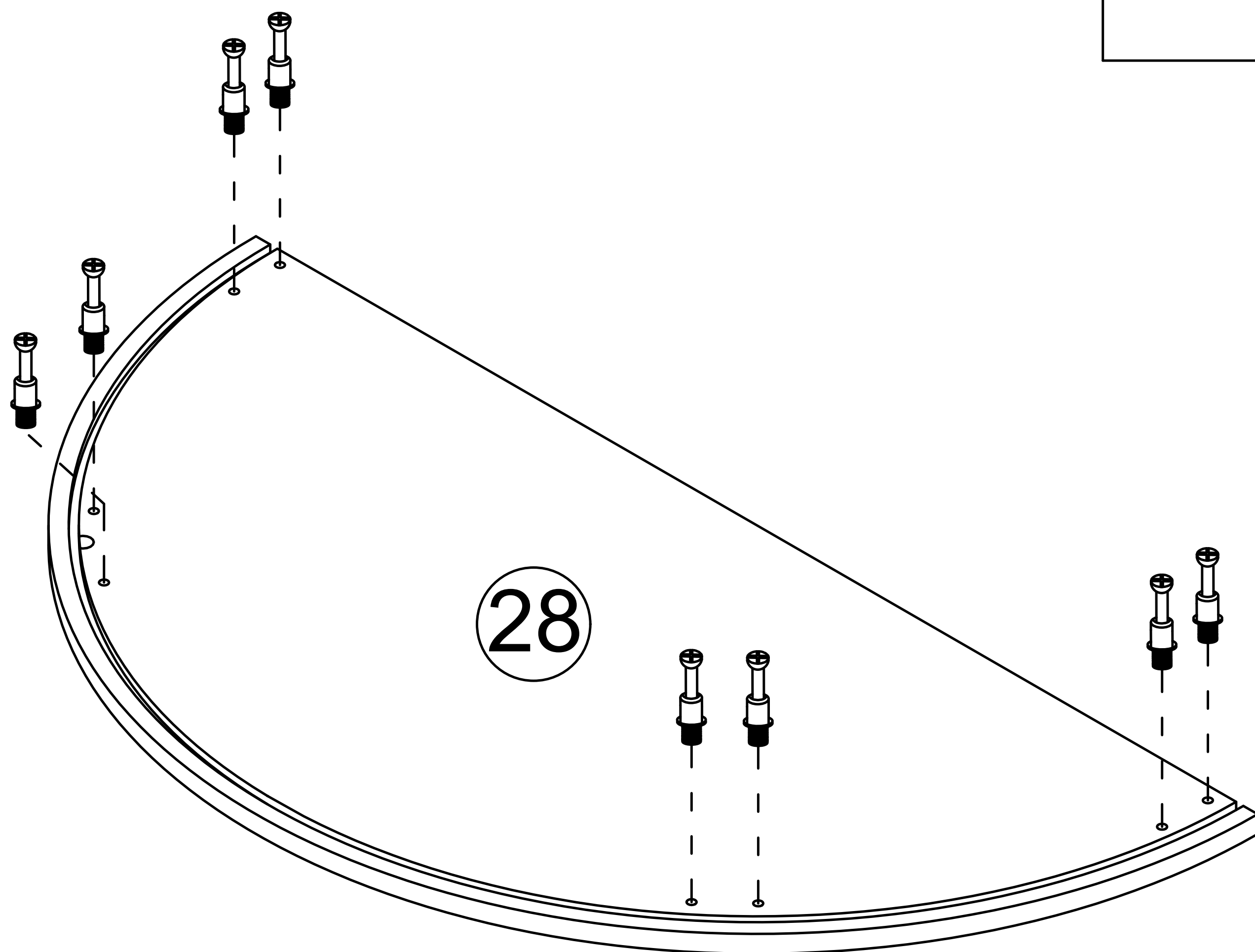
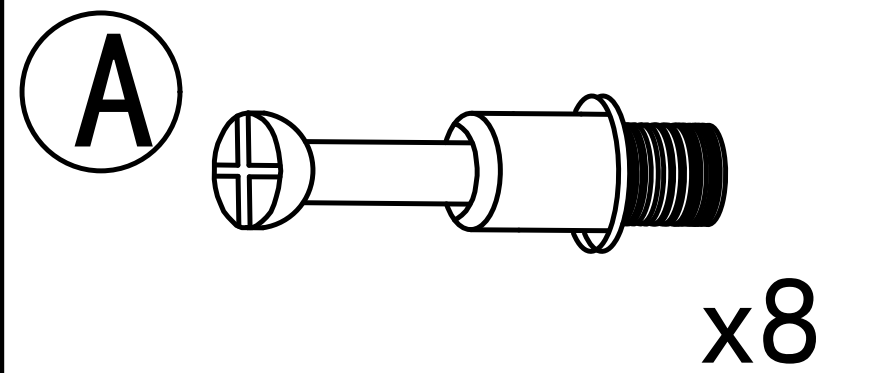


Step 41

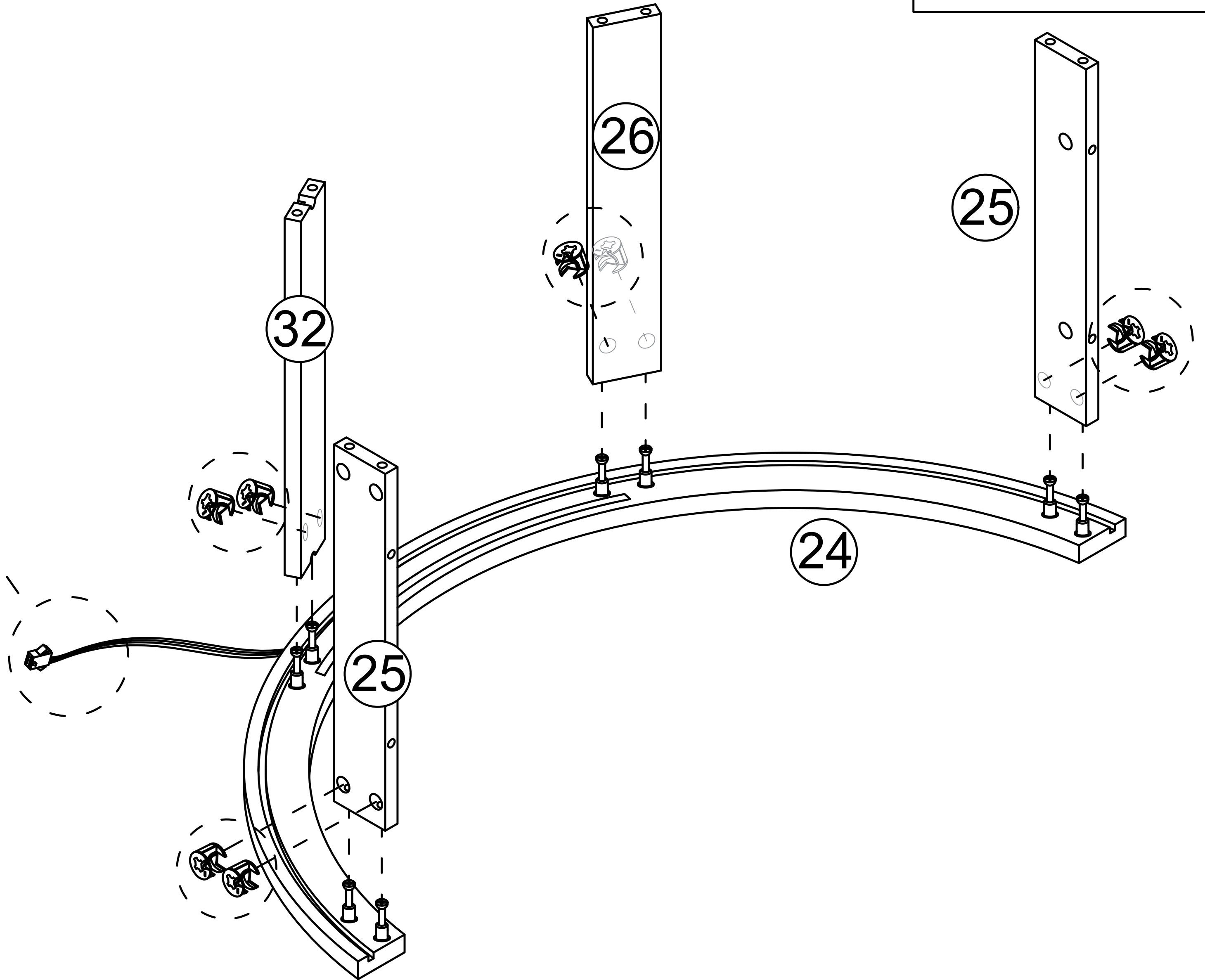
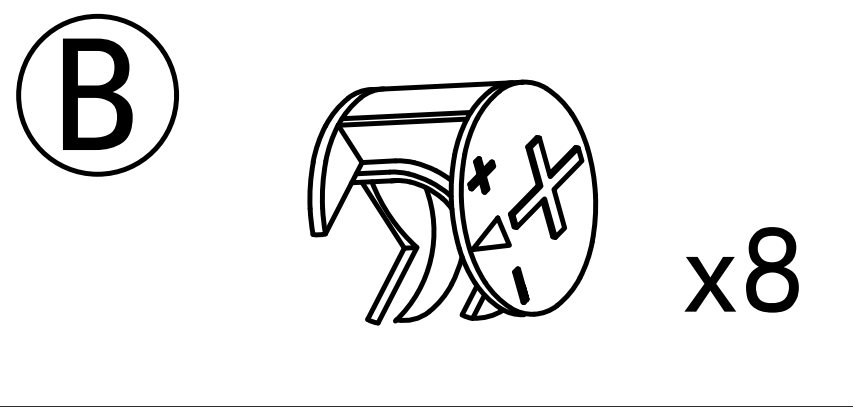
Connect the light cable socket



Step 42

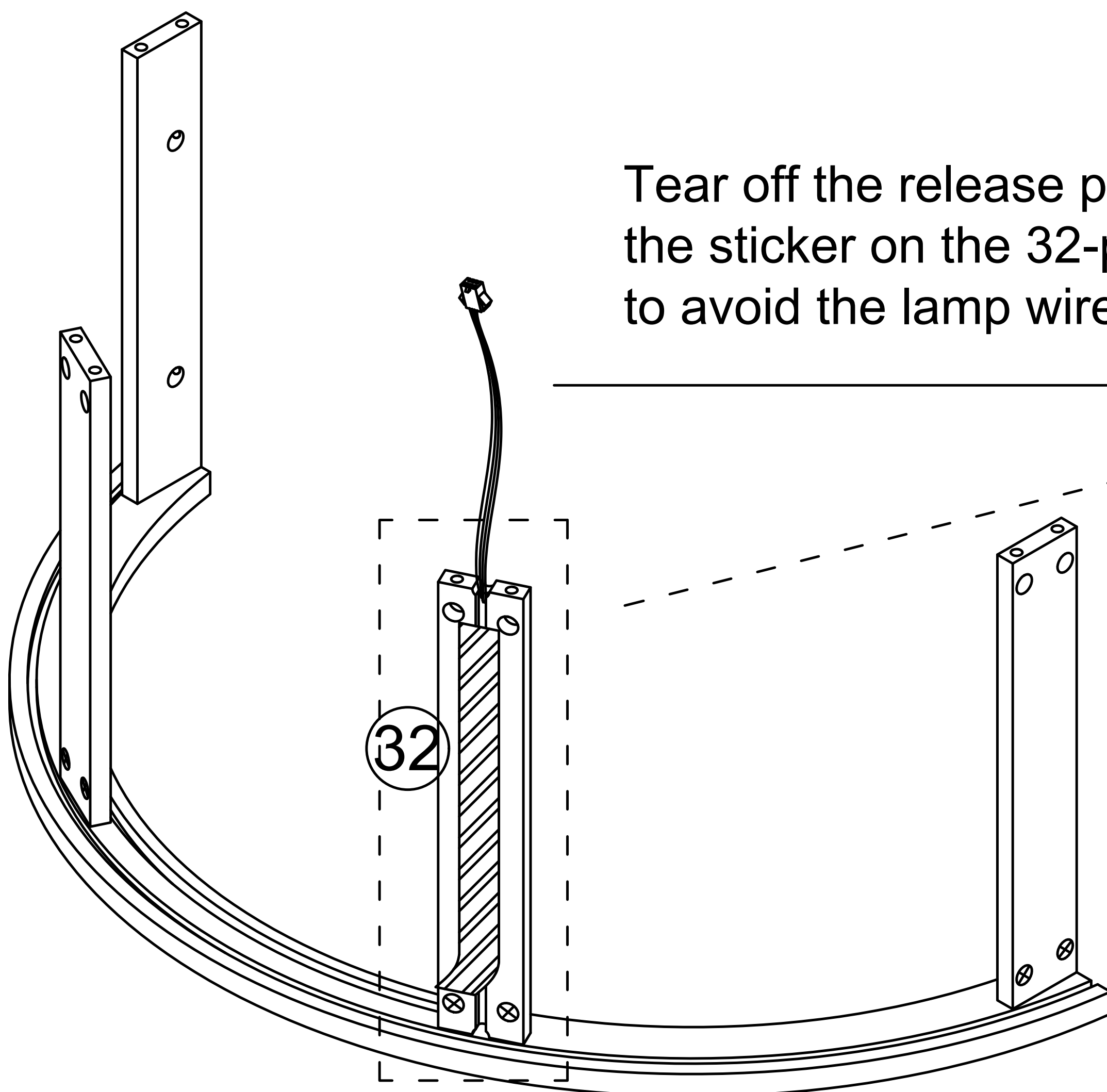
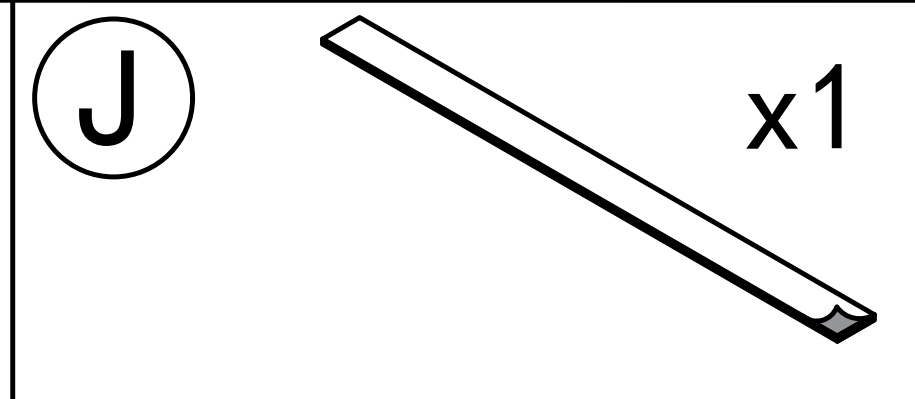


Step 43

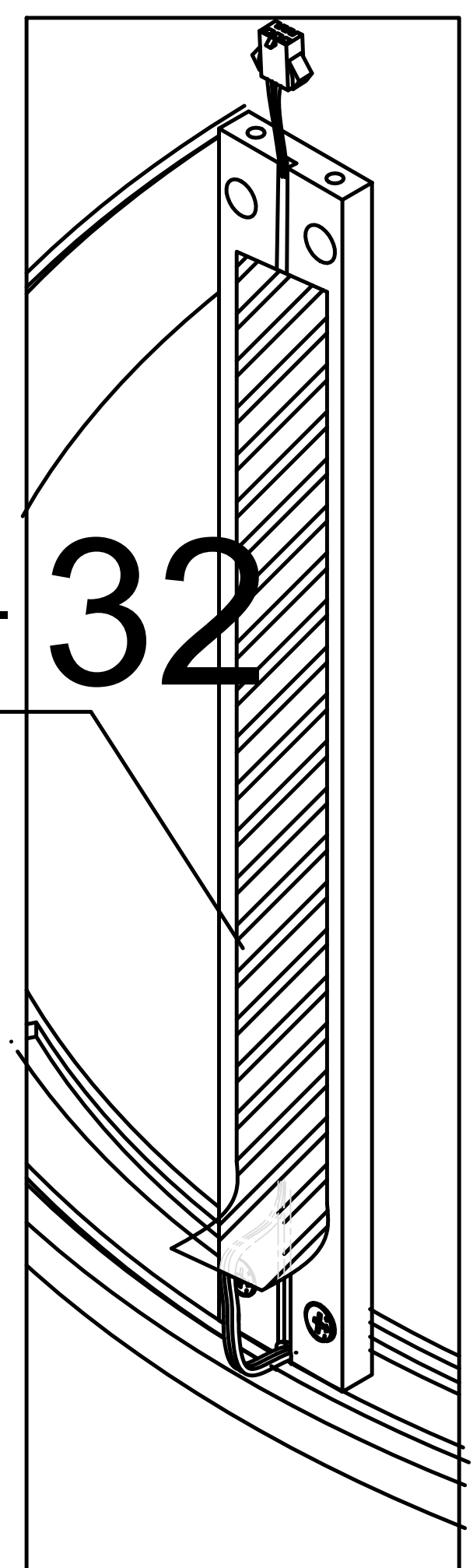


Thread the light wire through board 32 and tighten the nut

Step 44

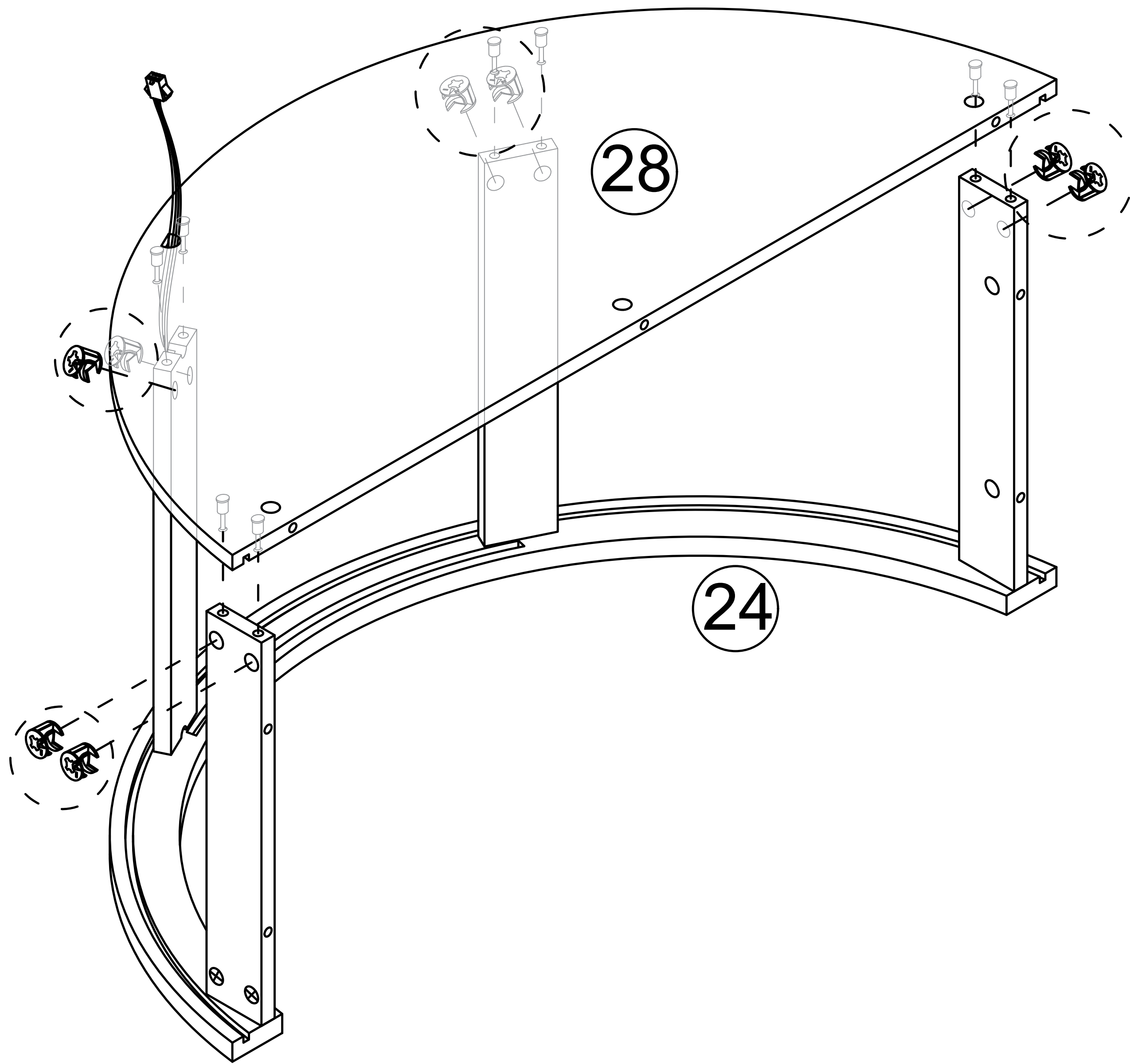
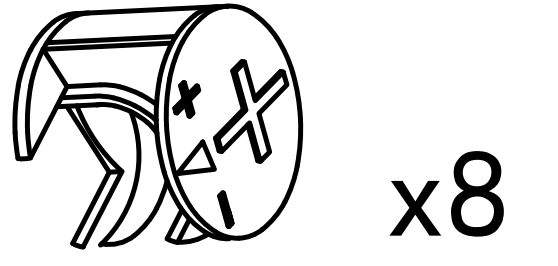


Tear off the release paper and stick the sticker on the 32-plate lamp slot to avoid the lamp wire from falling off.



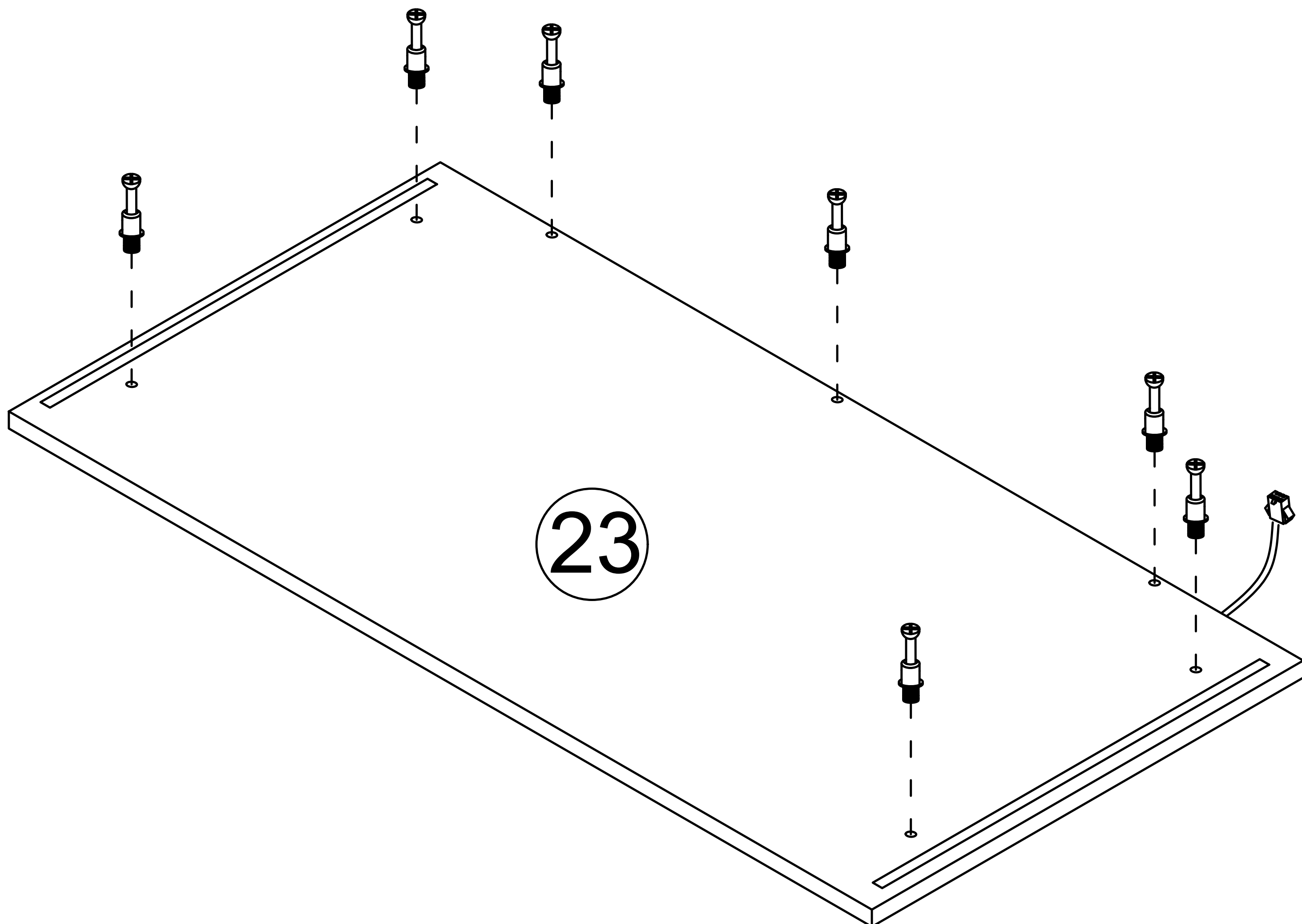
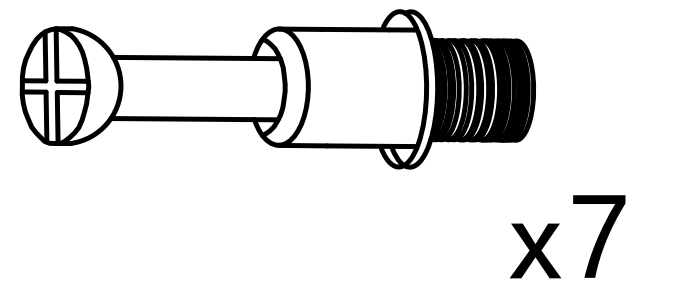
Step 45

B



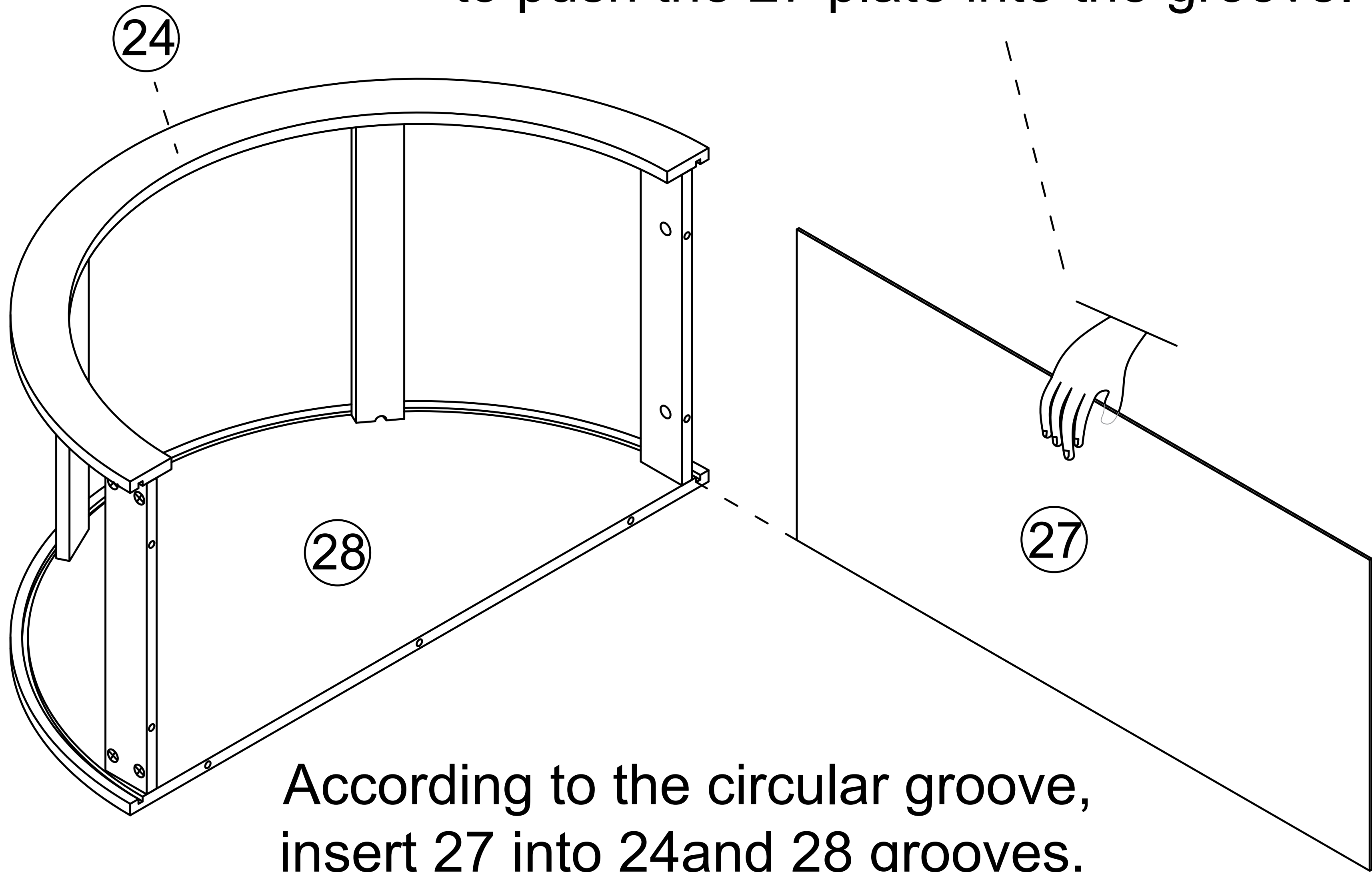
Step 46

A

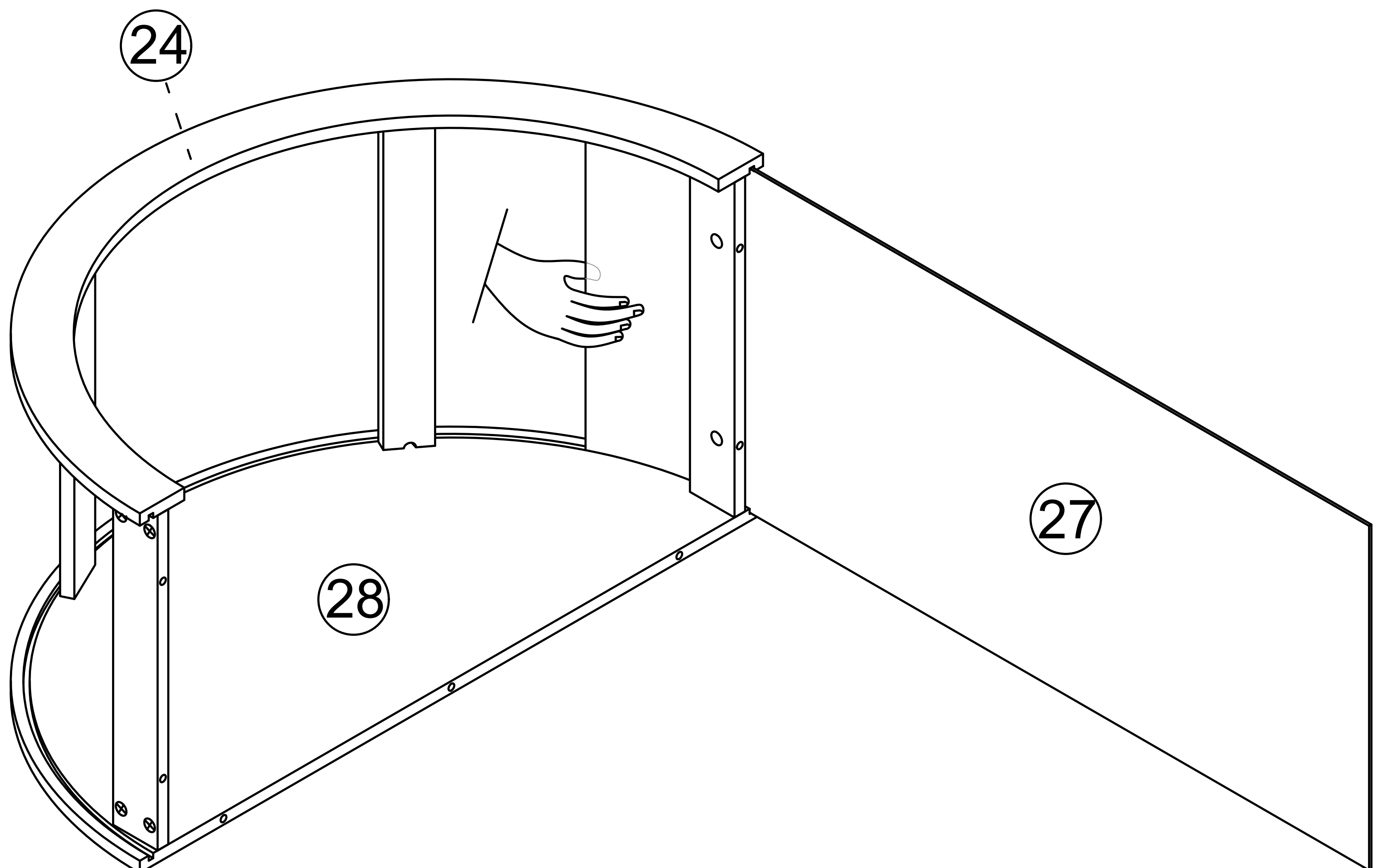


Step 47

Note: When installing the 27 plate, push the middle of the 27 plate by hand to push the 27 plate into the groove.

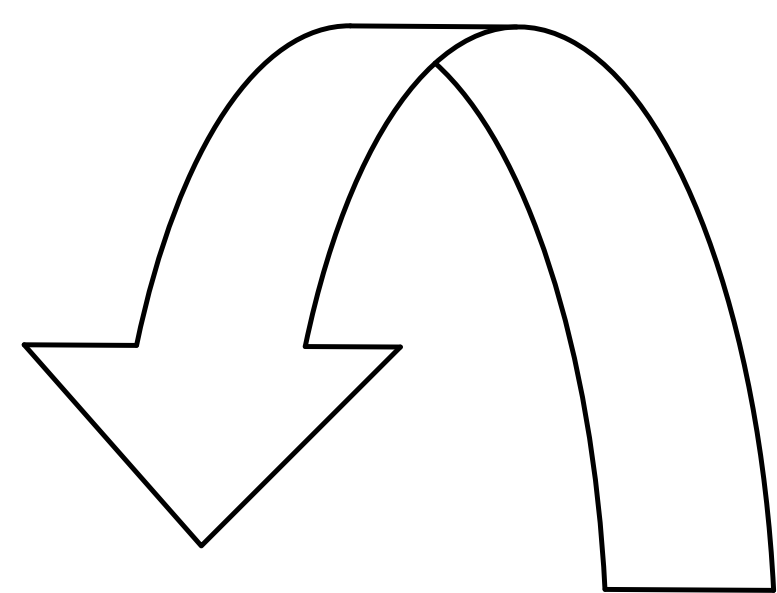
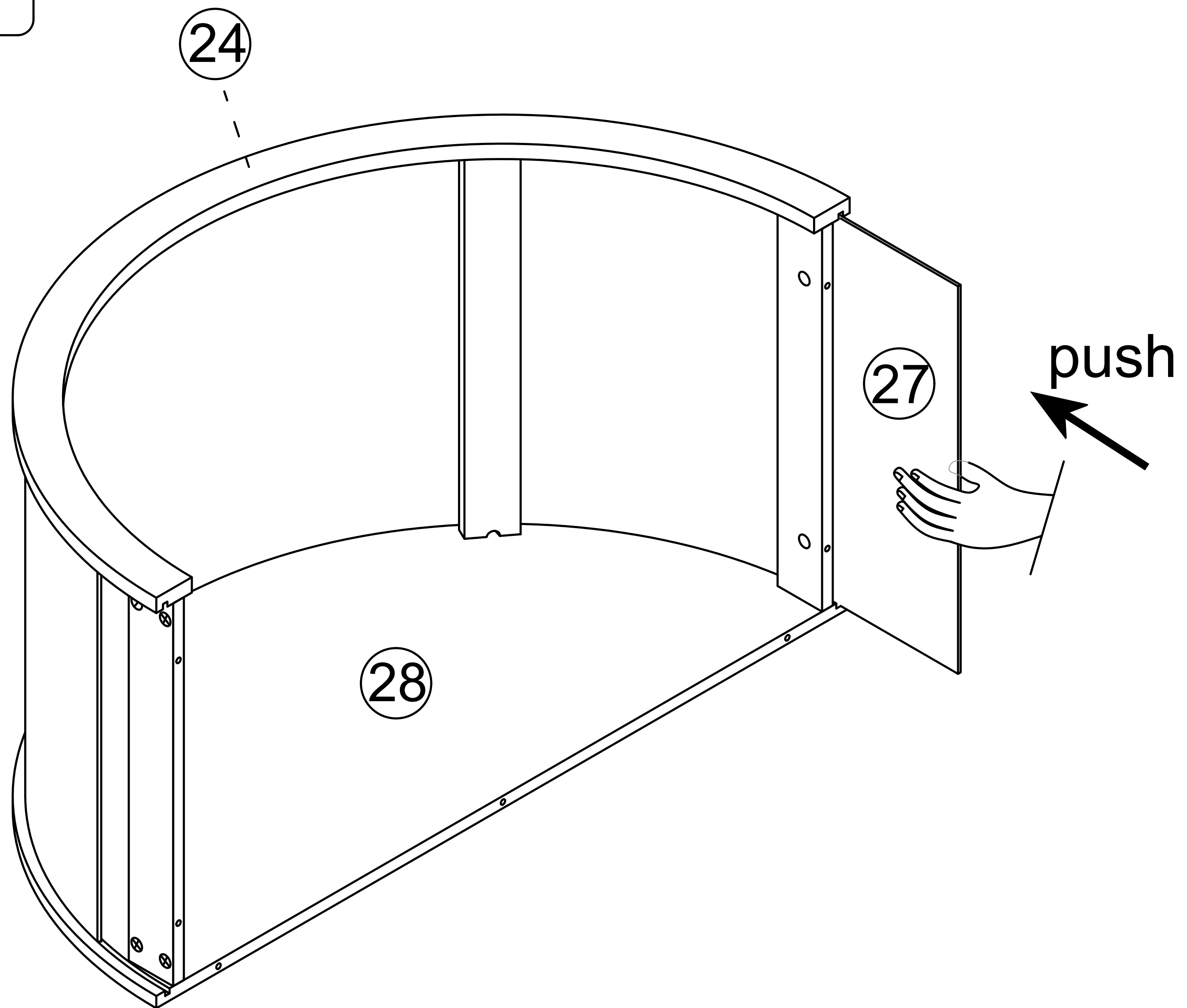


According to the circular groove, insert 27 into 24 and 28 grooves.

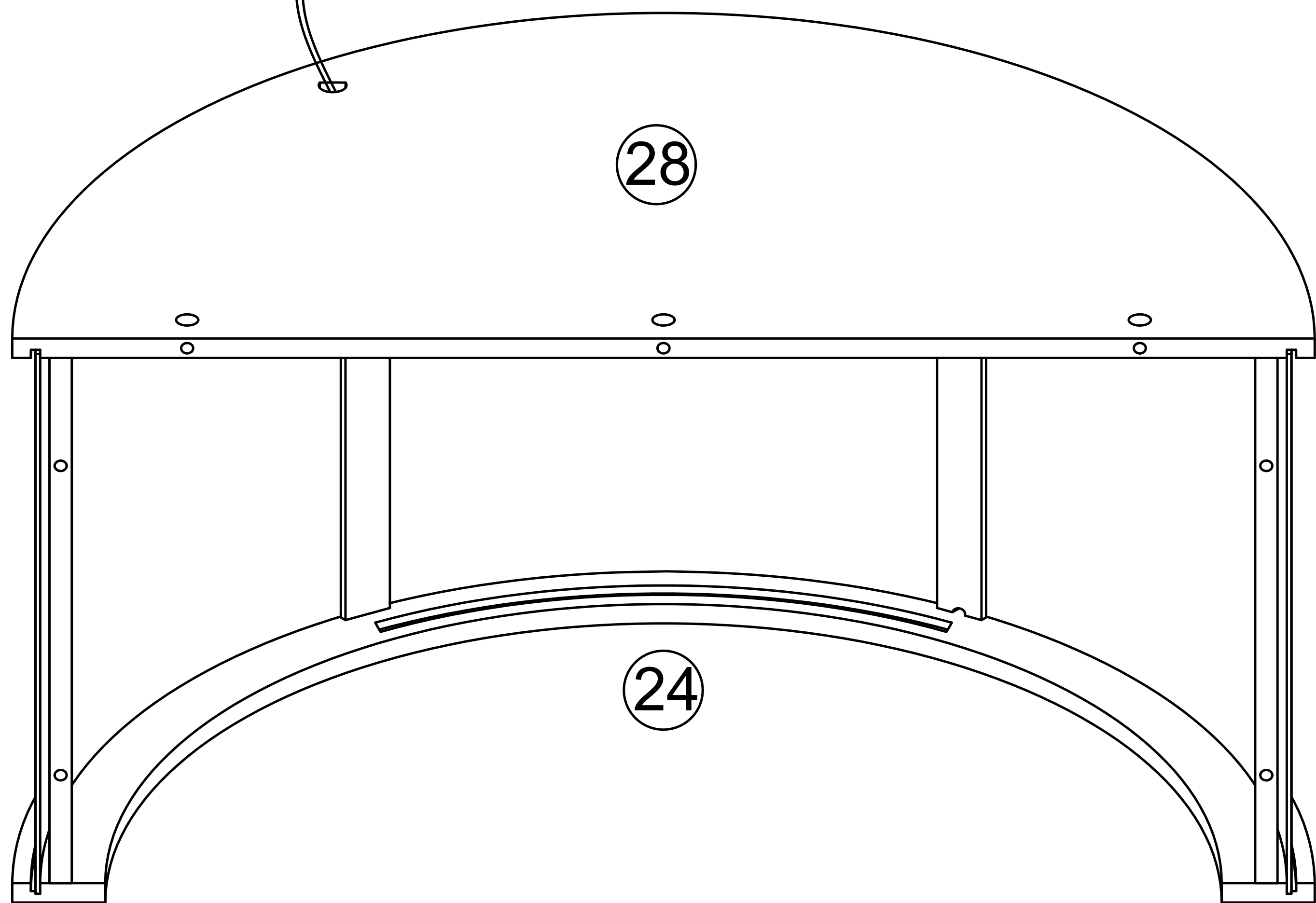


If it is difficult to push the 27 plate in, you can use the pull method.

Step 48

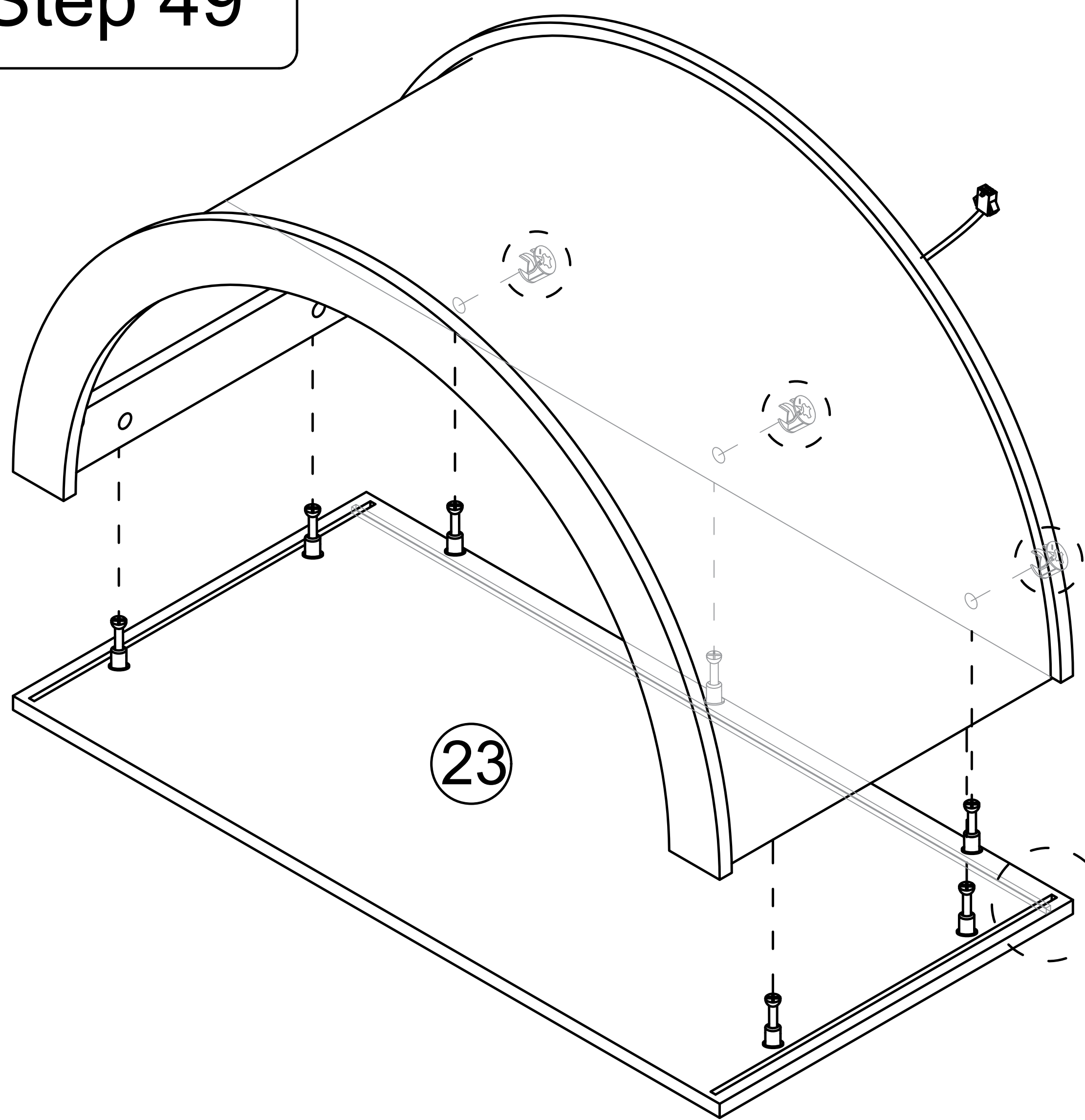
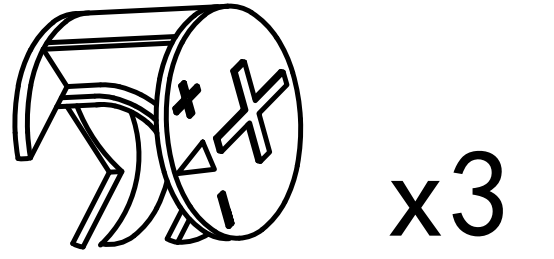


Need to flip over



Step 49

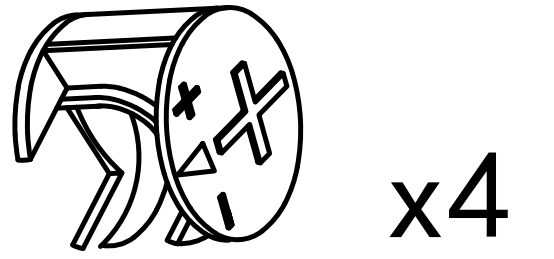
B



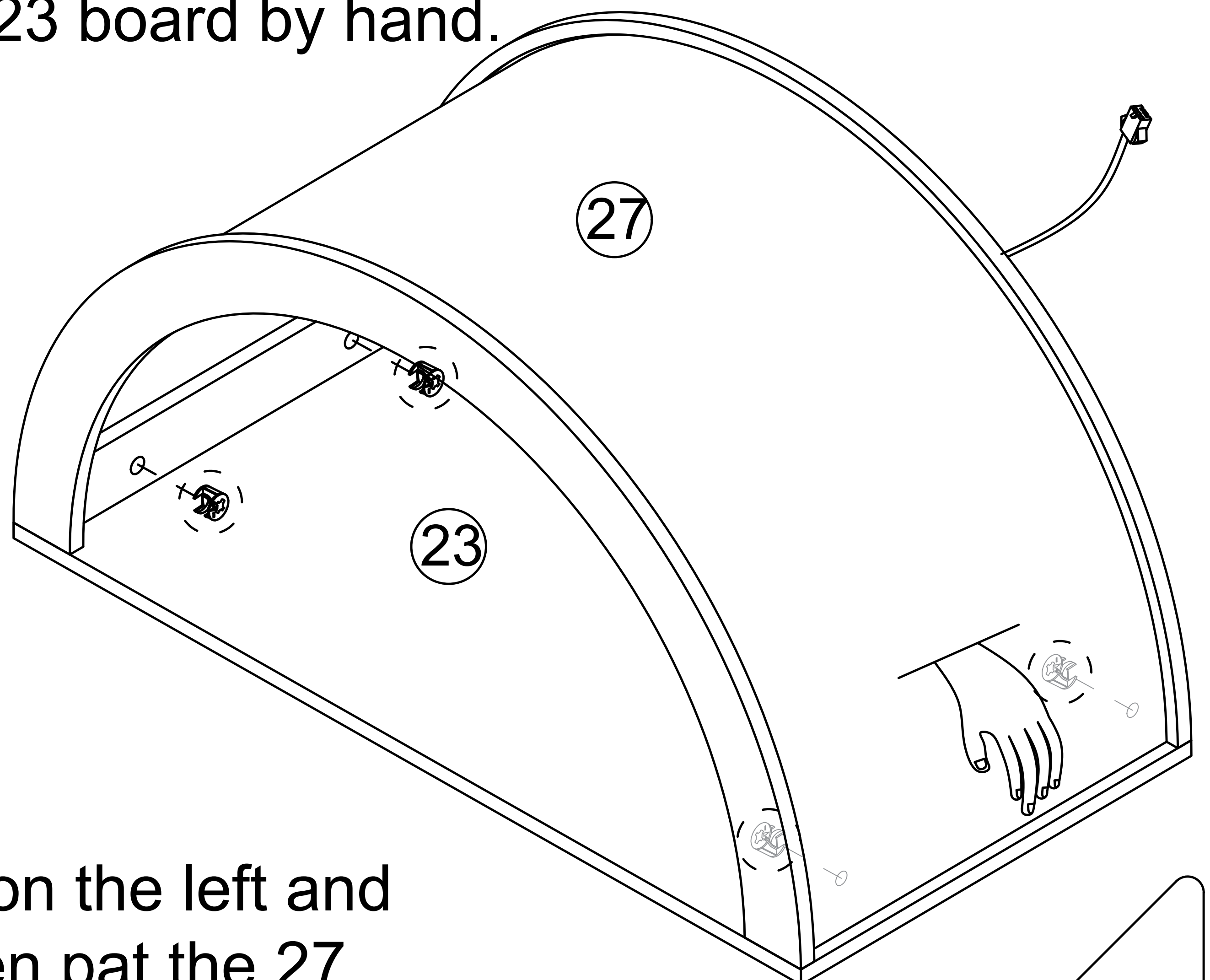
When installing the 28 plate, pay attention to the front and back, and there is a groove under the 23 plate.

Step 50

B



Note: After installing the 27 board, you need to pat the backboards on both sides into the grooves of the 23 board by hand.

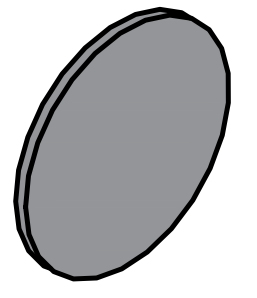


Note: pat the 27 plate on the left and then screw the nut, then pat the 27 plate on the right and screw the nut.

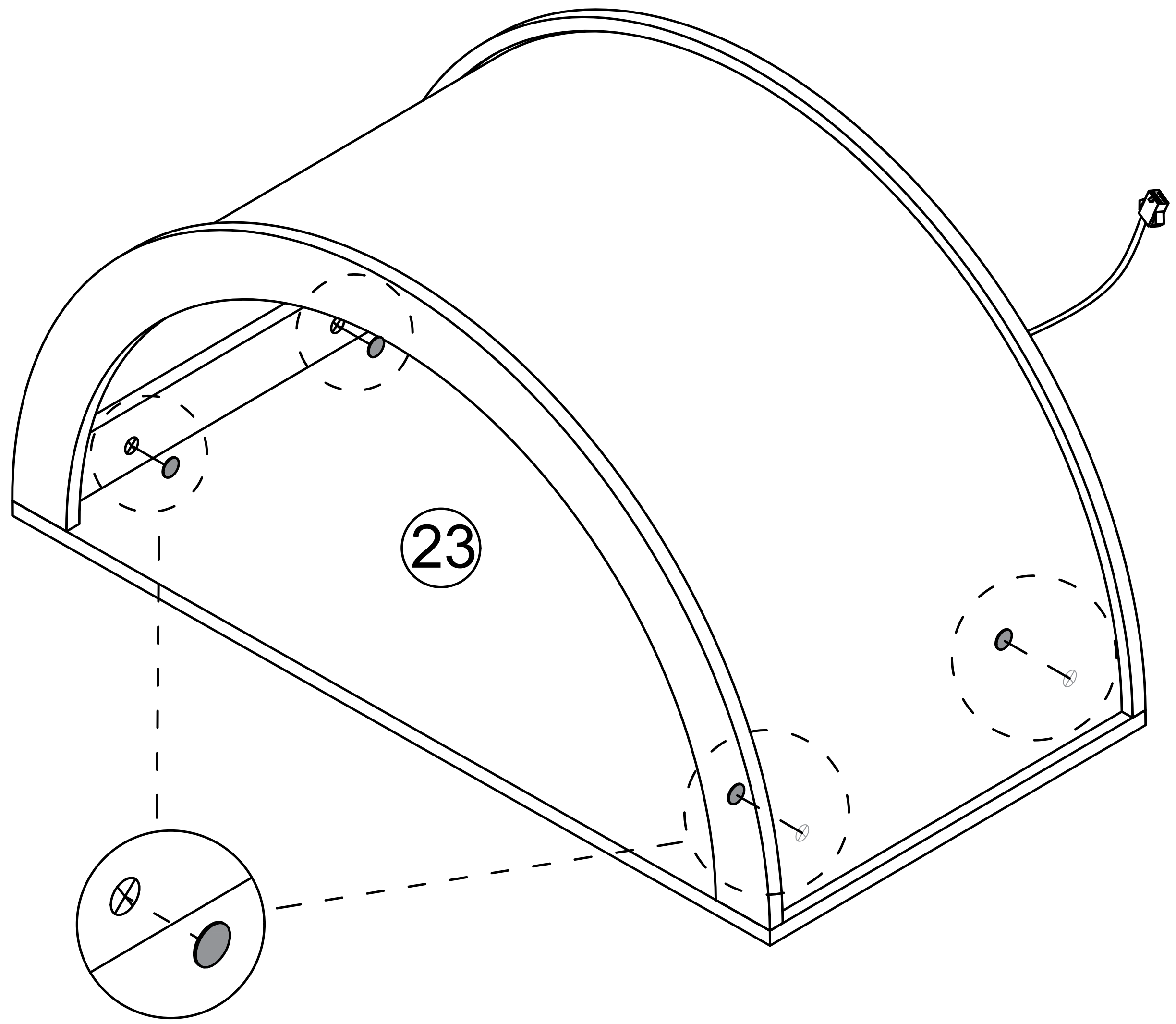
34

Step 51

J

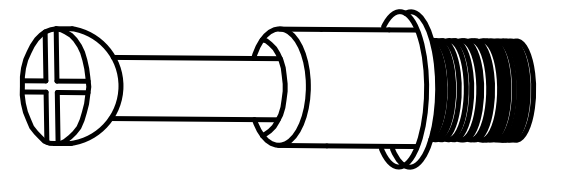


x4



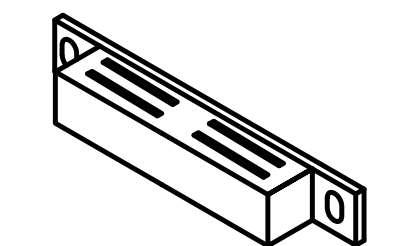
Step 52

A



x4

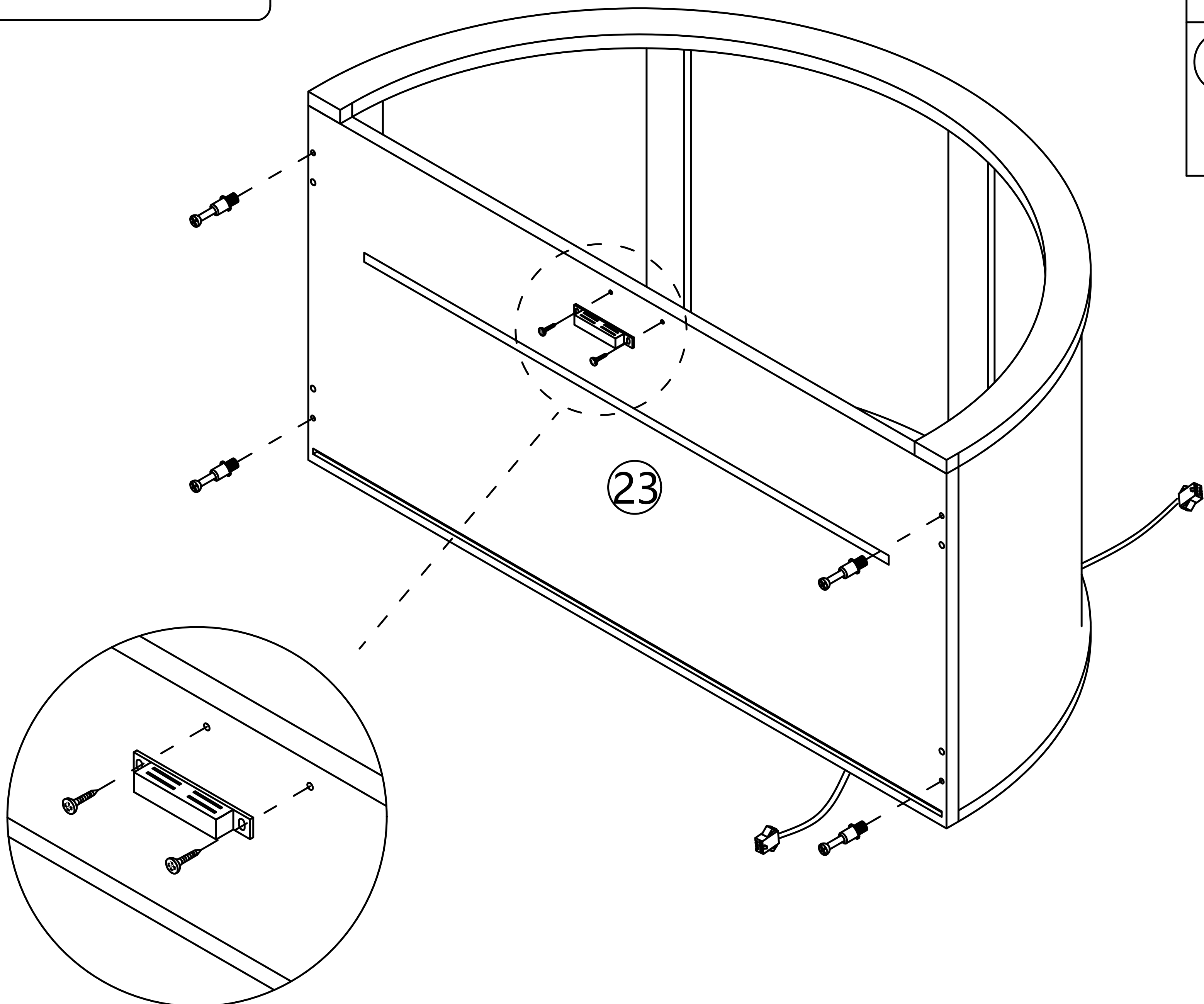
O



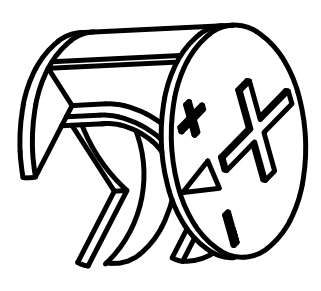
x1

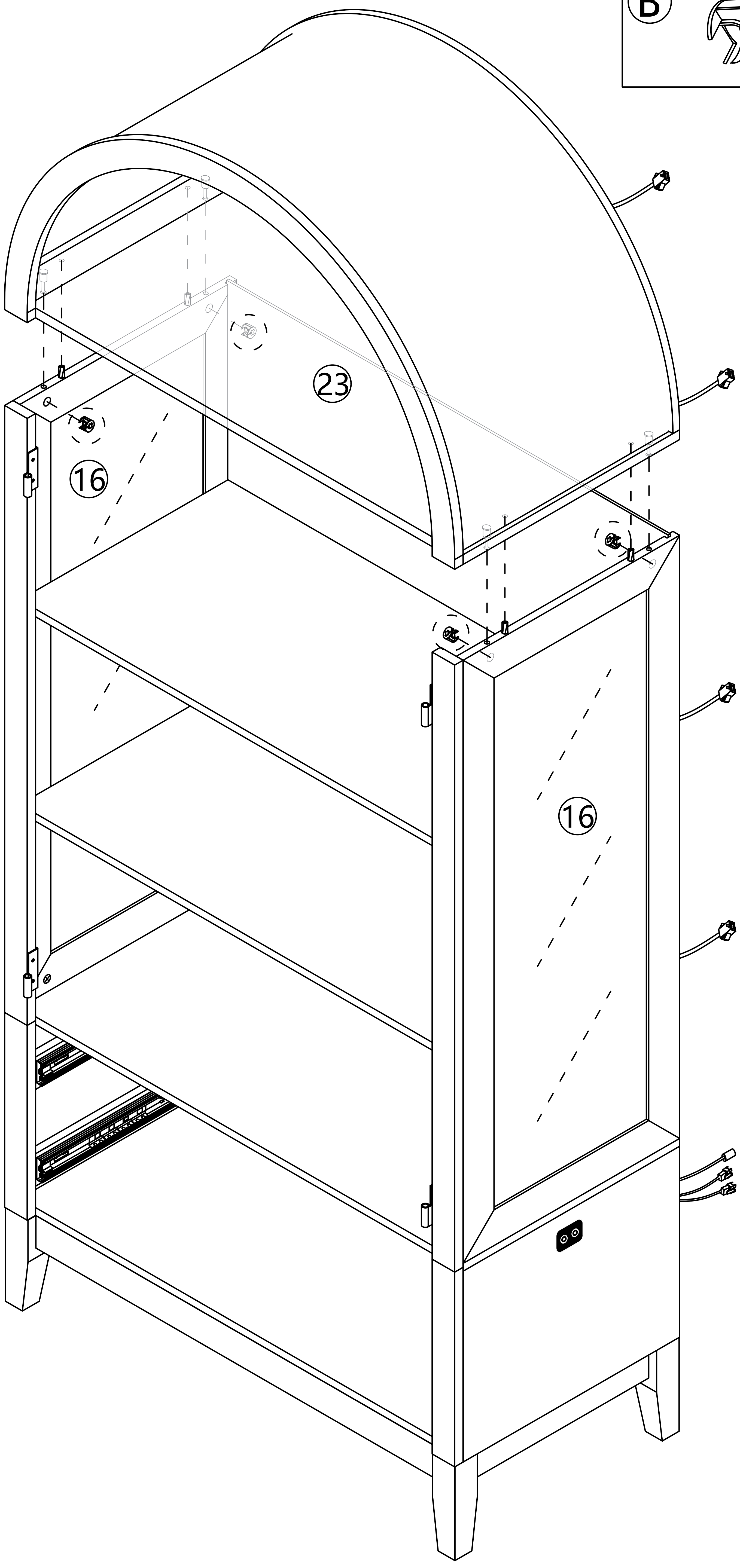


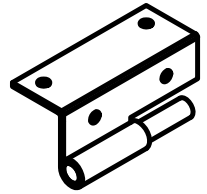

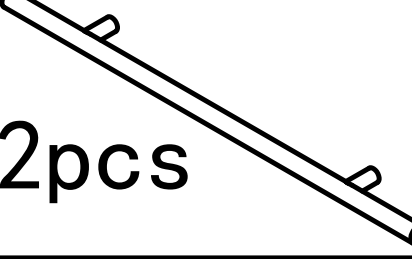
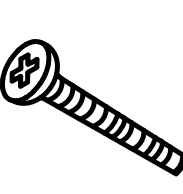
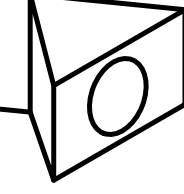
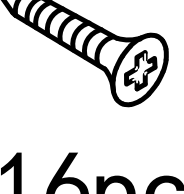
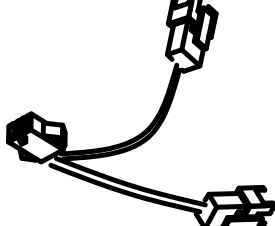

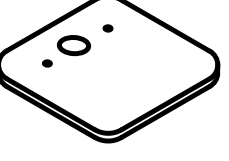

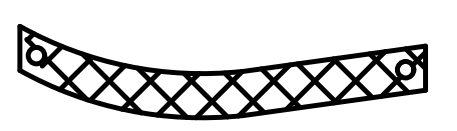

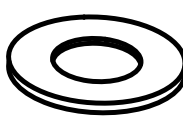
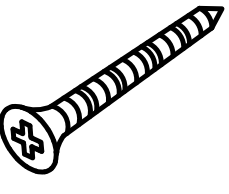
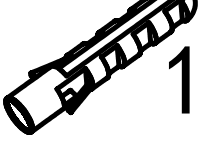
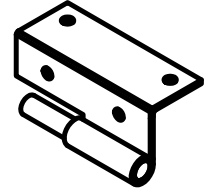
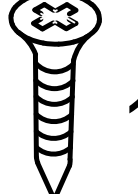
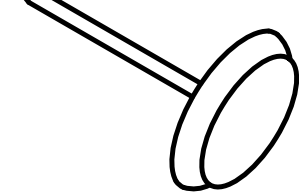
x2

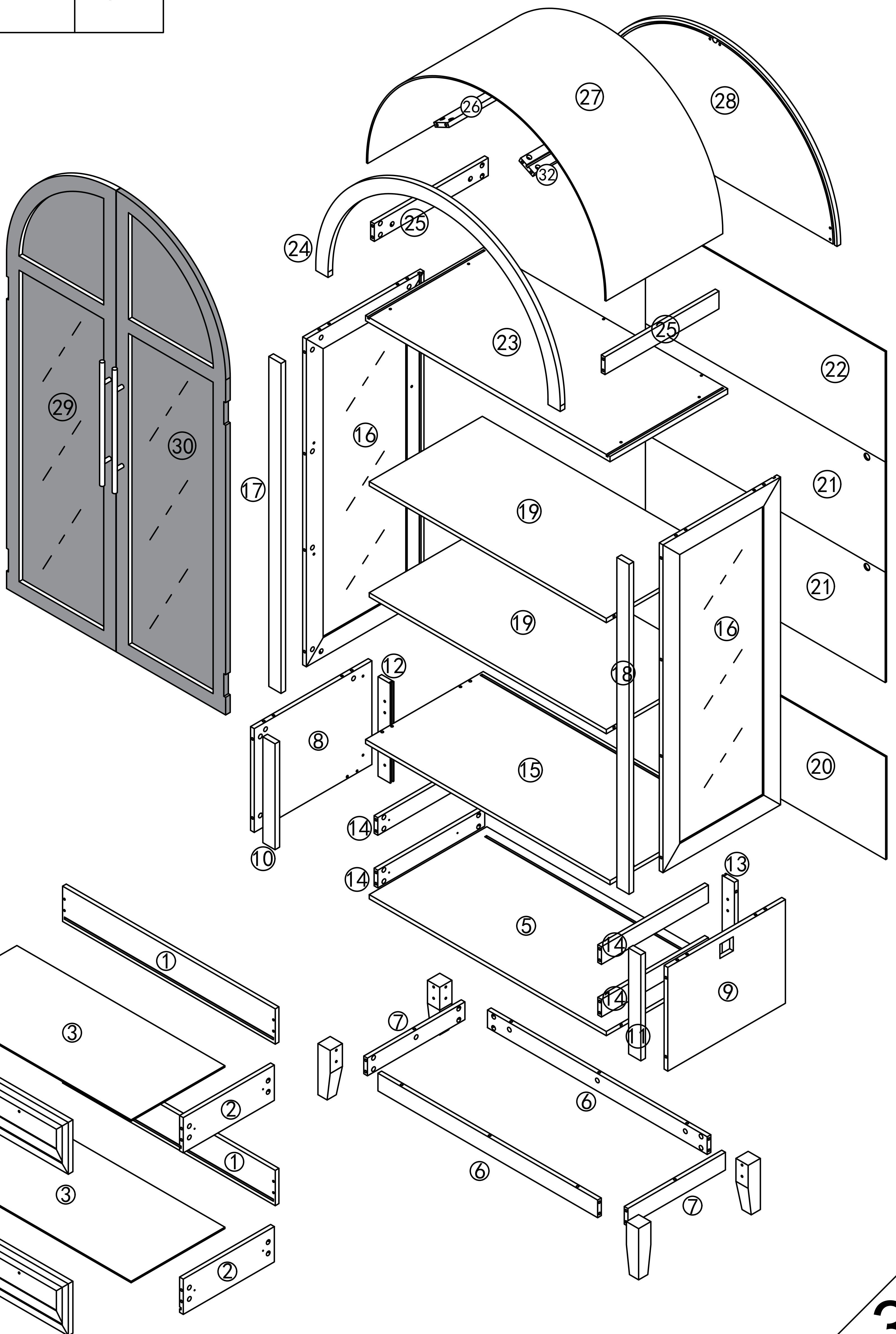


Step 53

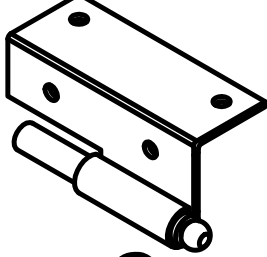

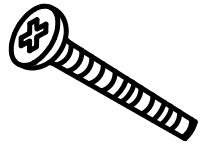
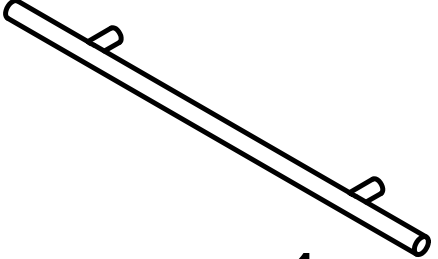
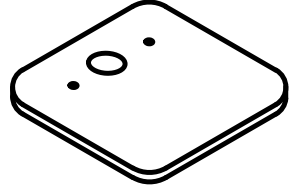
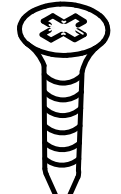
B  x4

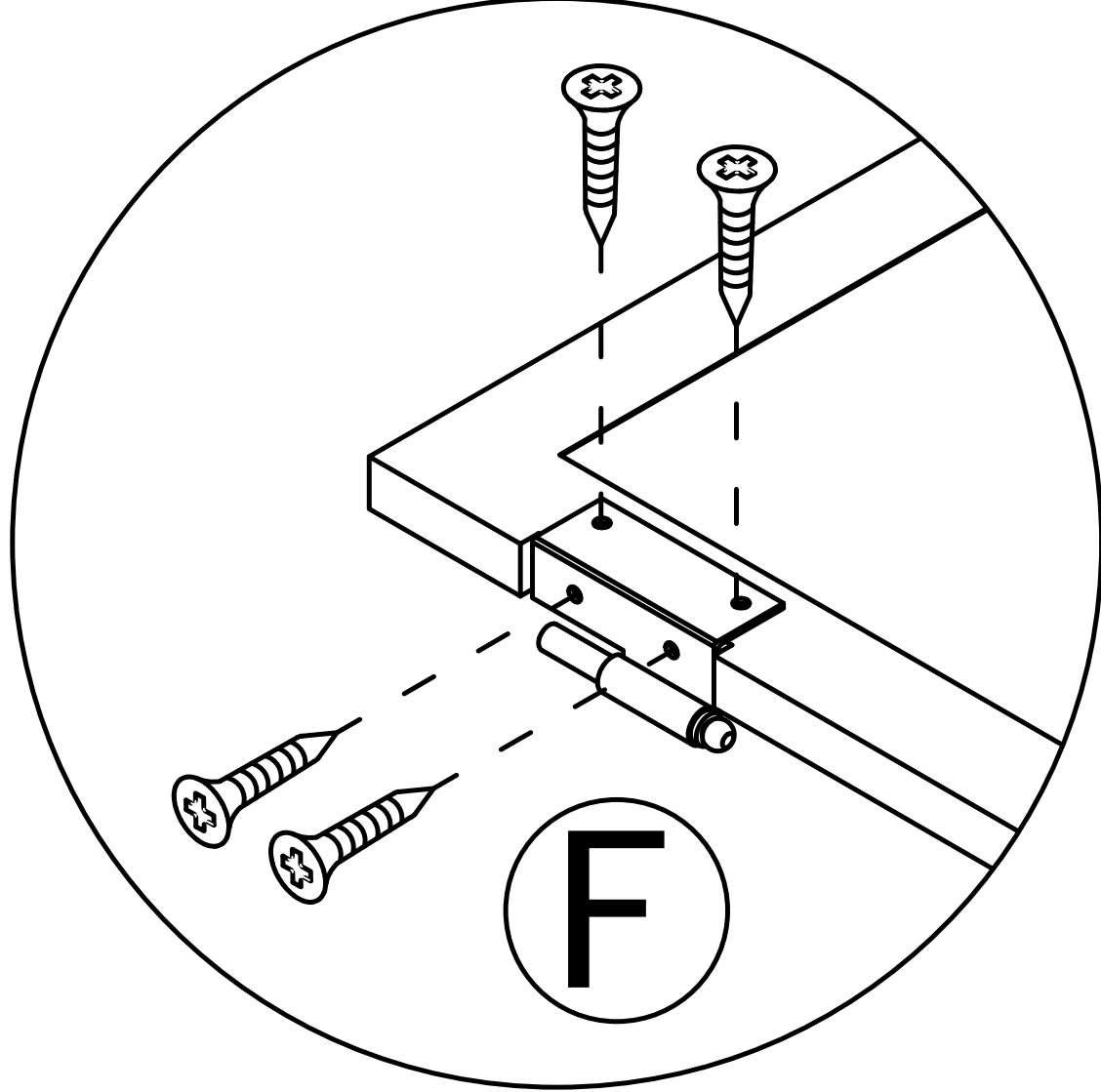
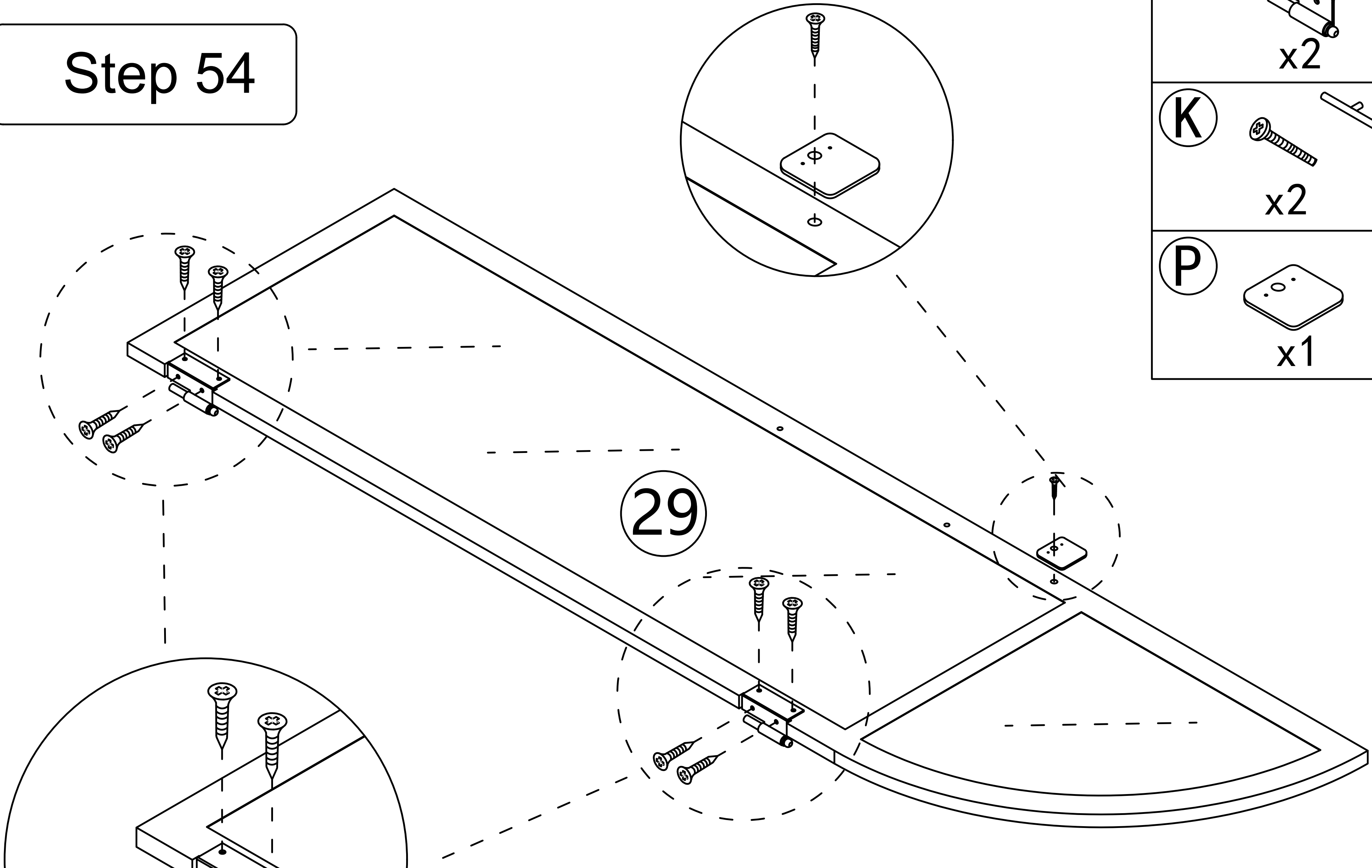


H	 4pcs	 16pcs	K	 2pcs	 4pcs	L	 16pcs	 16pcs
M	 2pcs		N	 16pcs		P	 2pcs	 2pcs
Q	 1pcs	 1pcs	 2pcs	 1pcs	 1pcs	F	 4pcs	 16pcs
R	 4pcs							

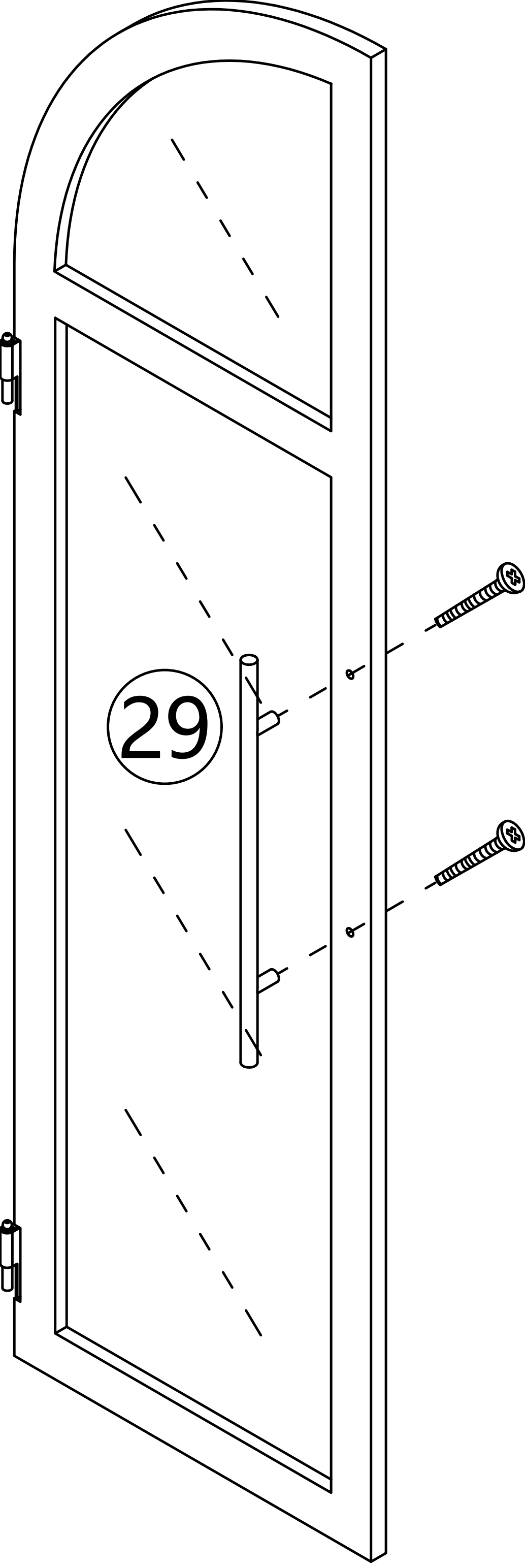


Step 54

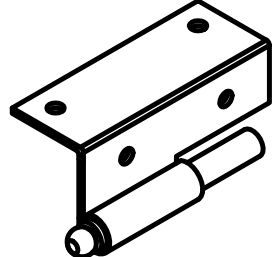
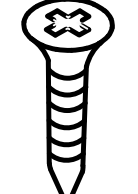
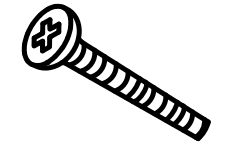
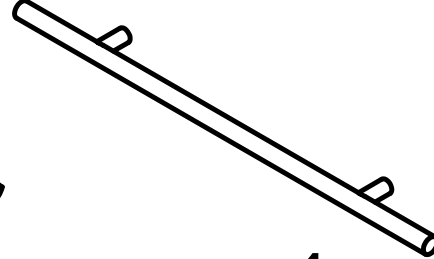
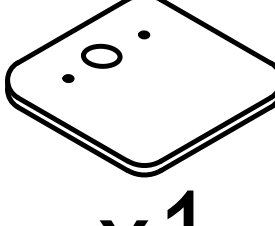
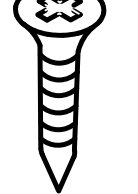
- F**  x2  x8
- K**  x2  x1
- P**  x1  x1

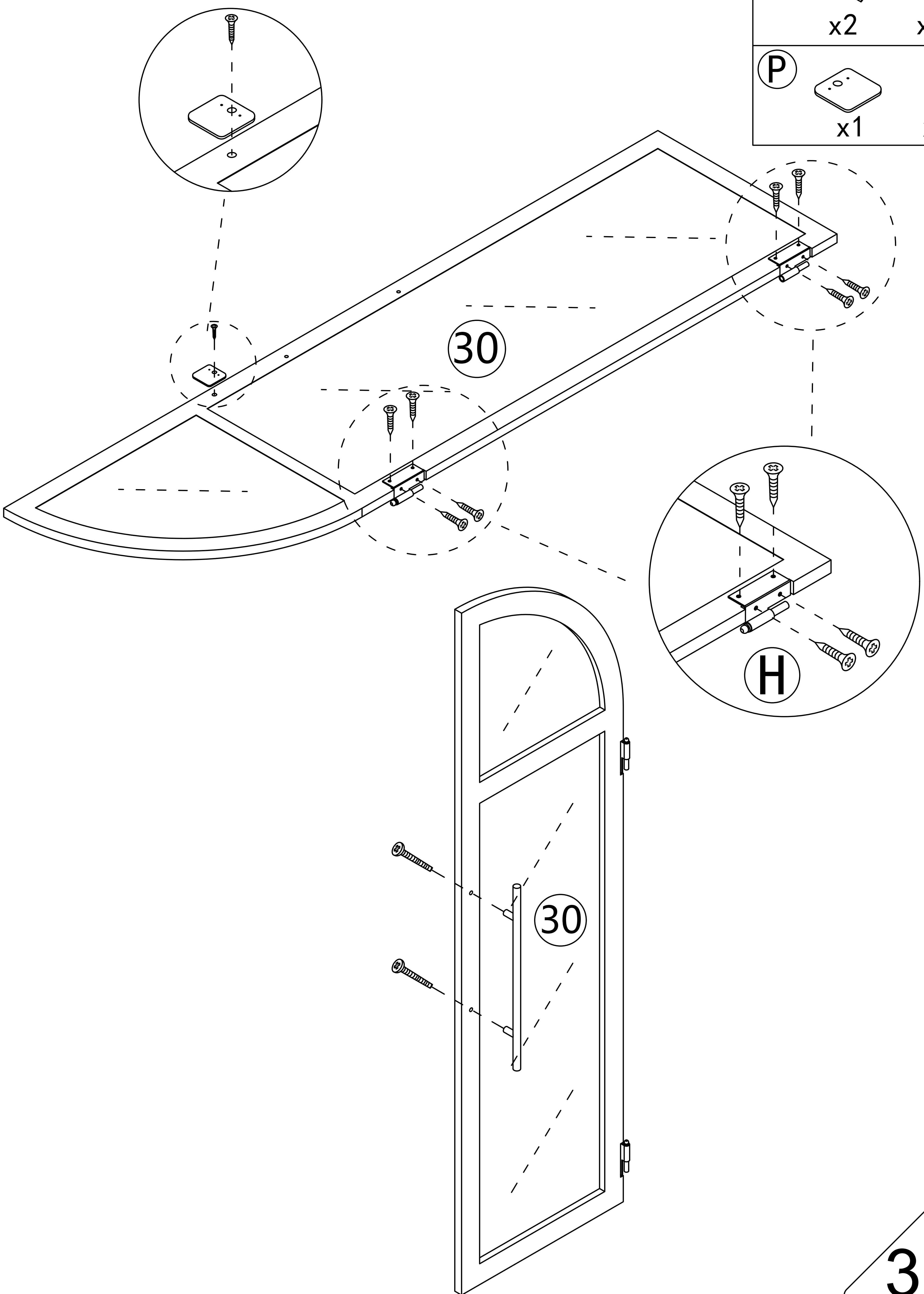


29

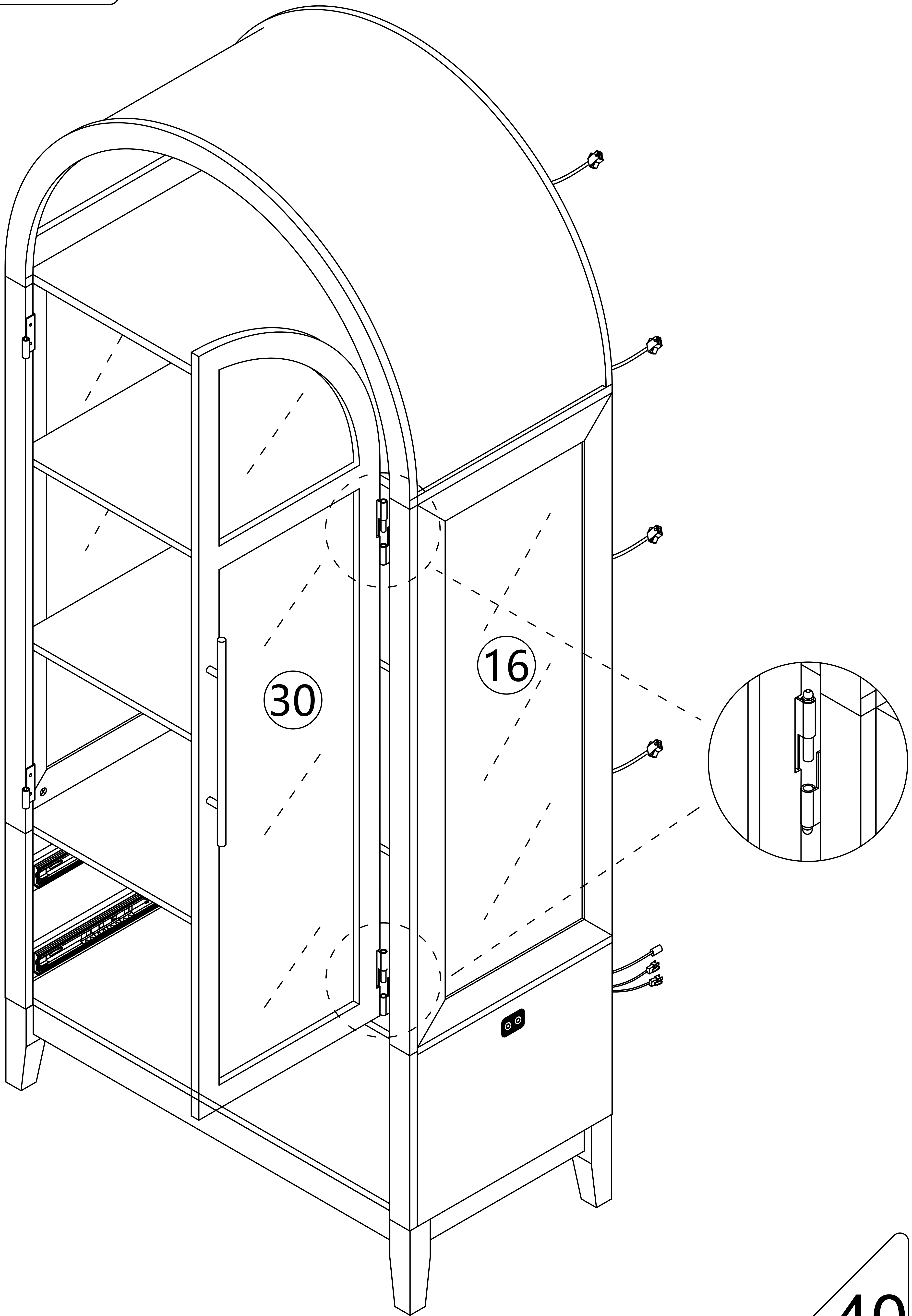


Step 55

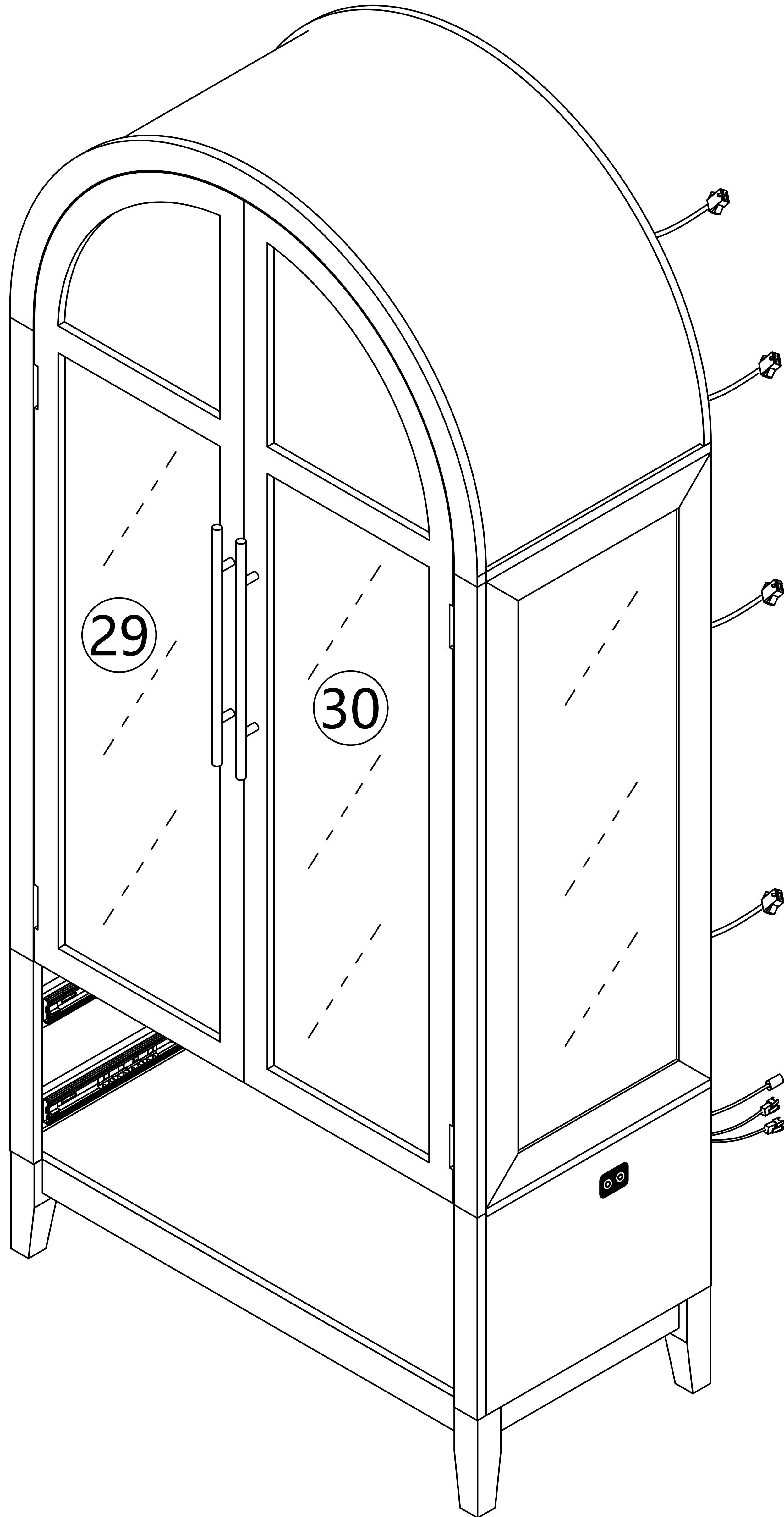
- | | | |
|----------|---|---|
| H |  |  |
| | x2 | x8 |
| K |  |  |
| | x2 | x1 |
| P |  |  |
| | x1 | x1 |



Step 56

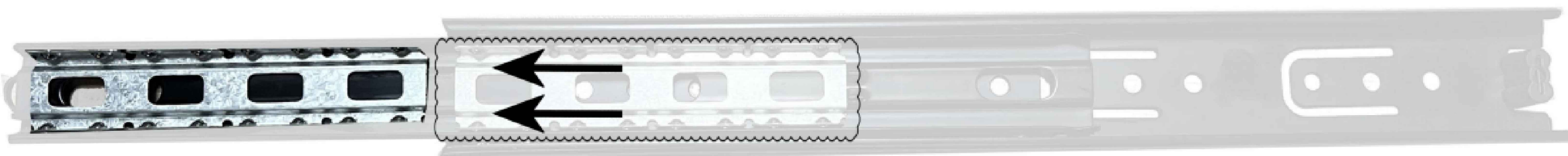
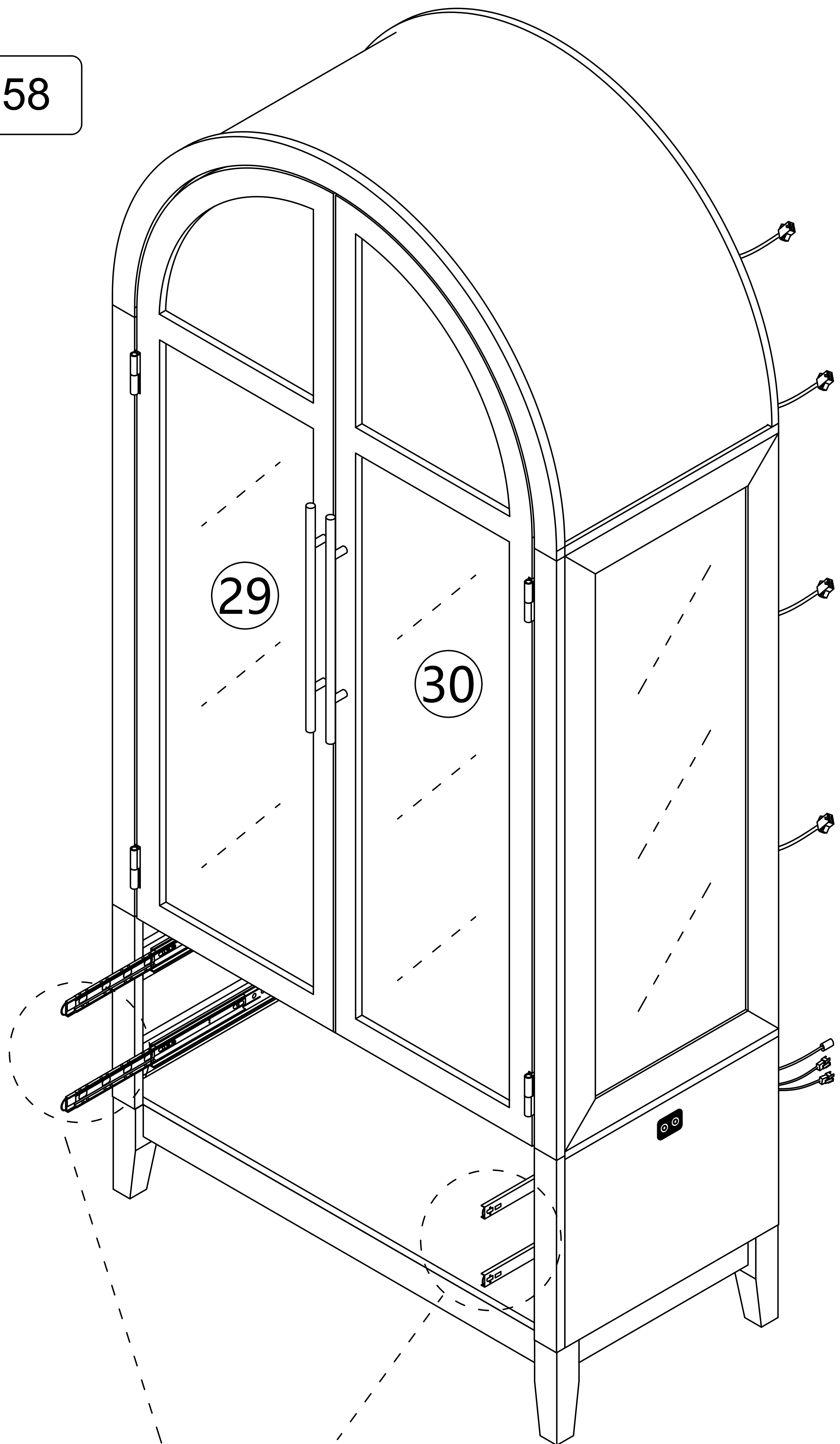


Step 57



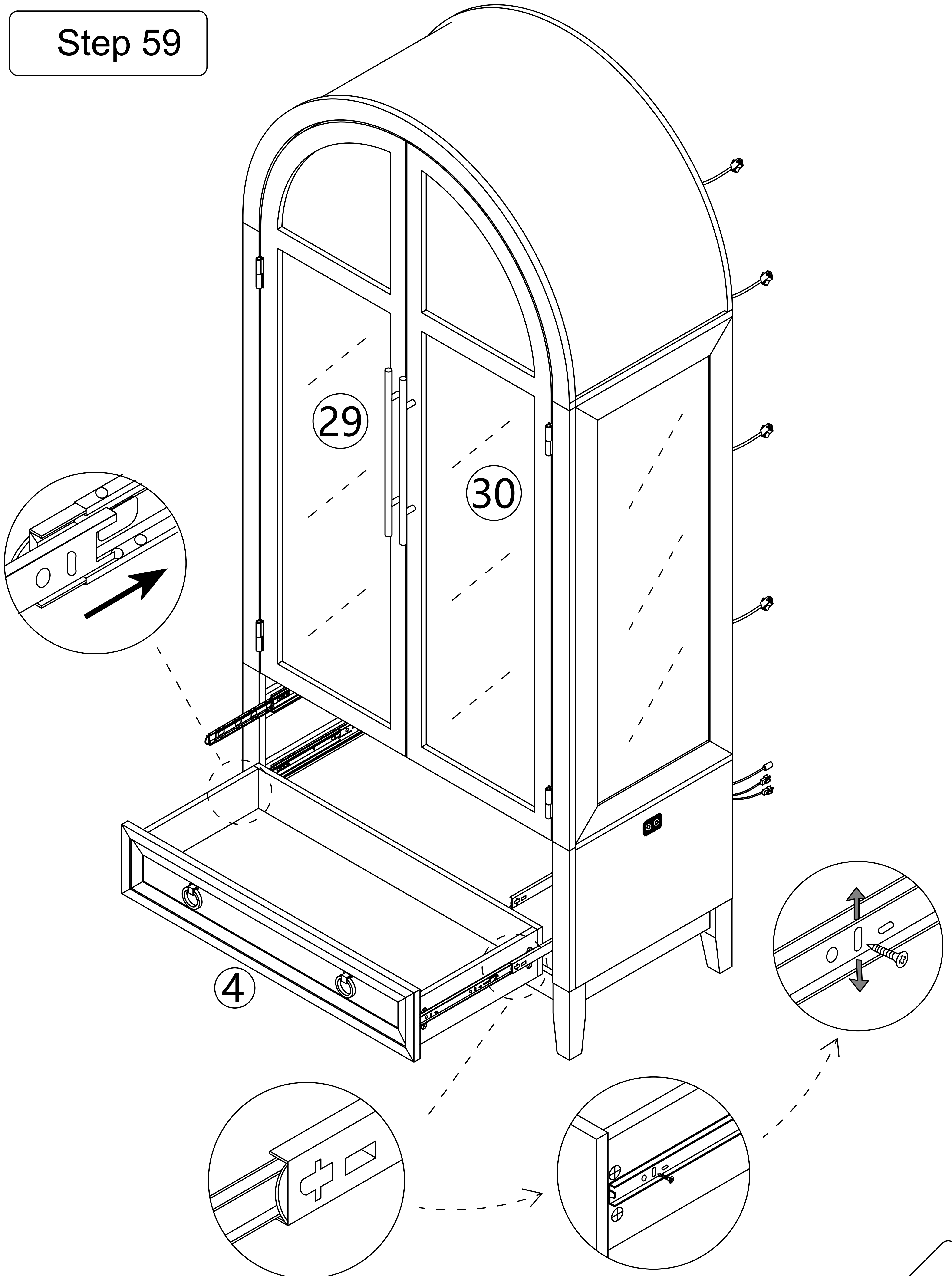
The 29th board is also installed in this way.

Step 58



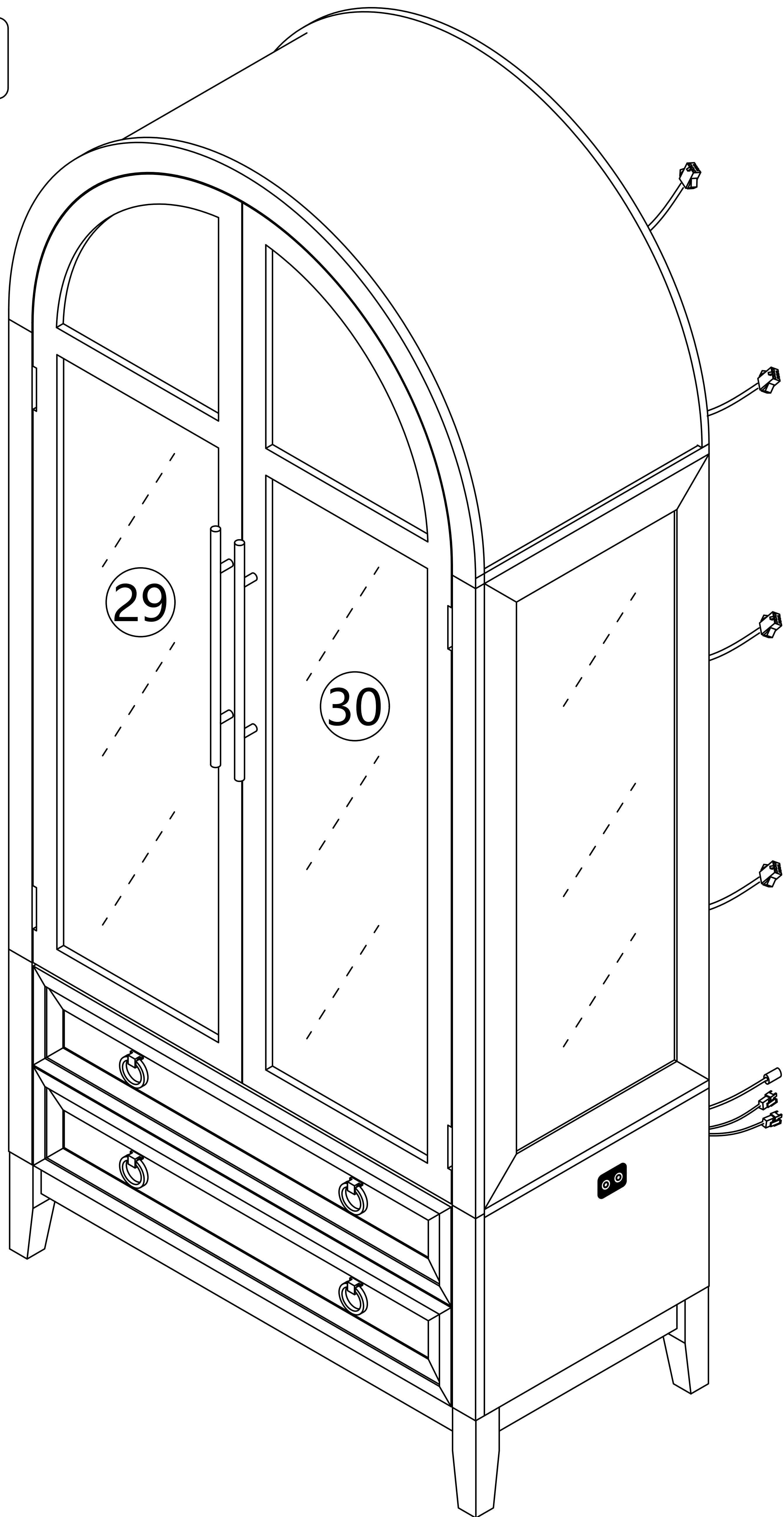
As shown, When installing the drawer, pull the guide rail out first, Slide beads are also pulled out.

Step 59



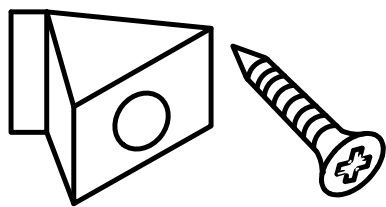
If a large gap is found after installing the drawer the slide rail can be moved up and down to adjust the gap

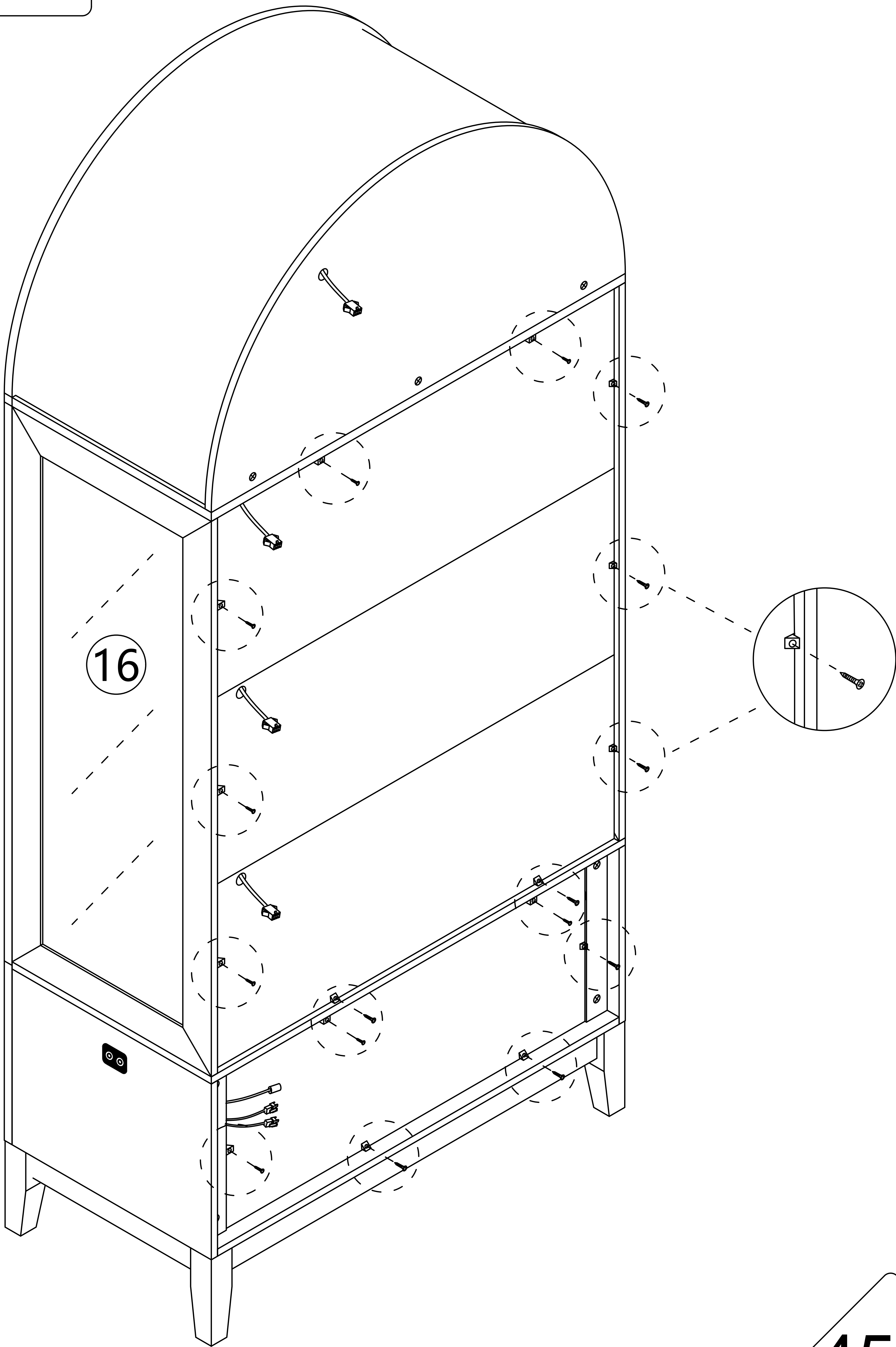
Step 60



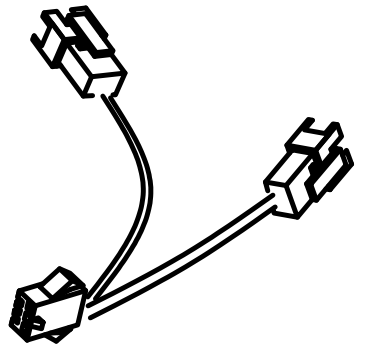
Repeat the drawer installation steps

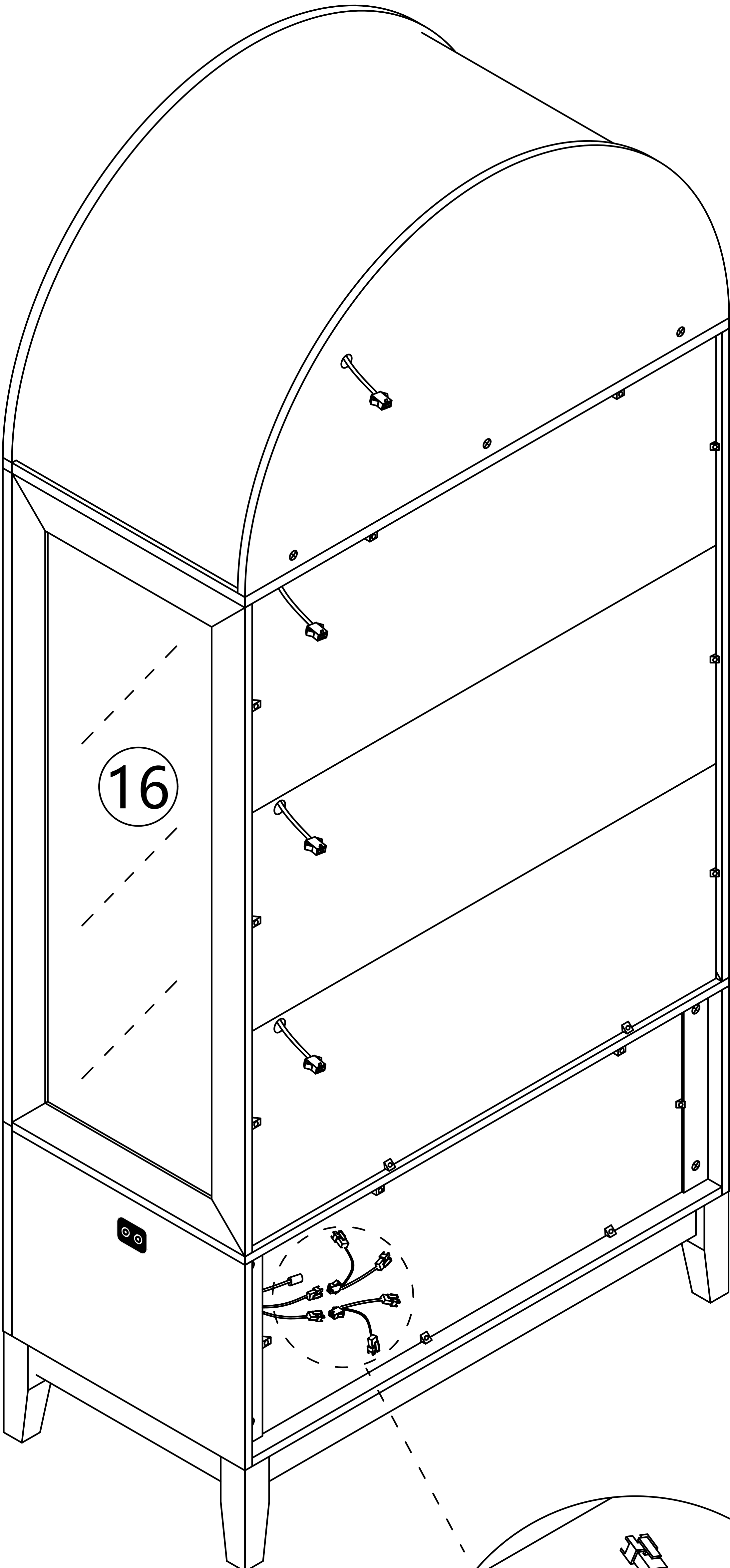
Step 61

L  x16

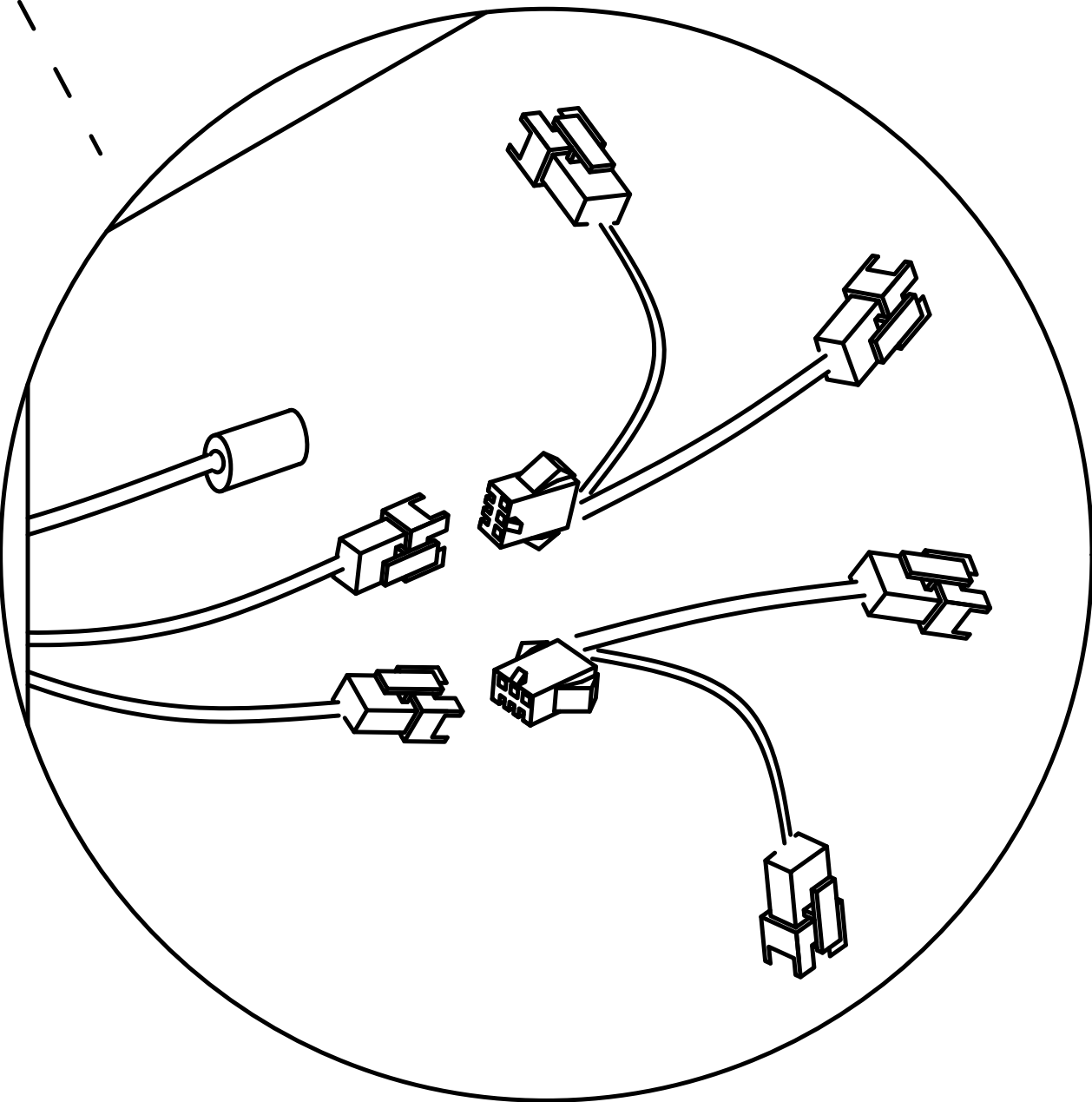
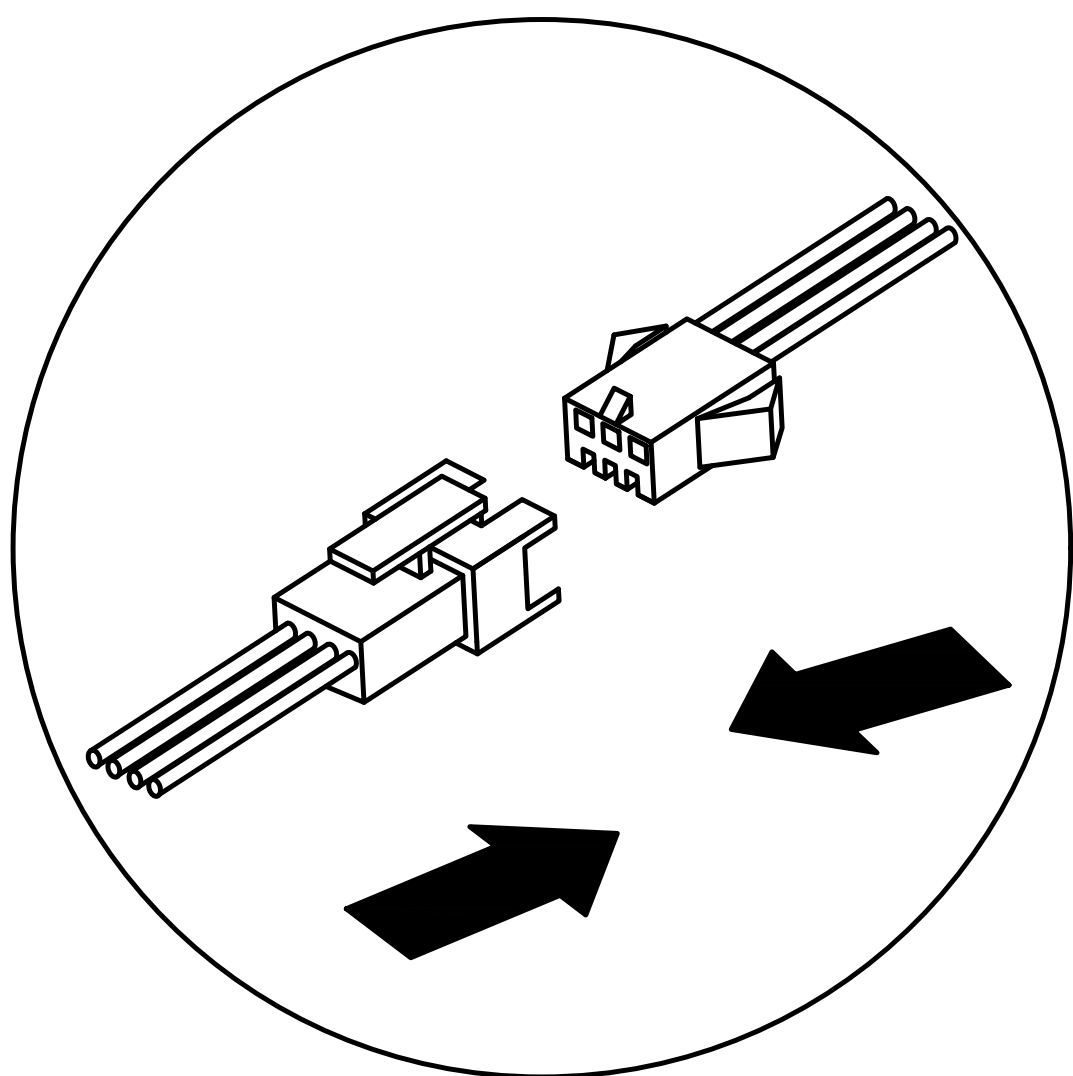


Step 62

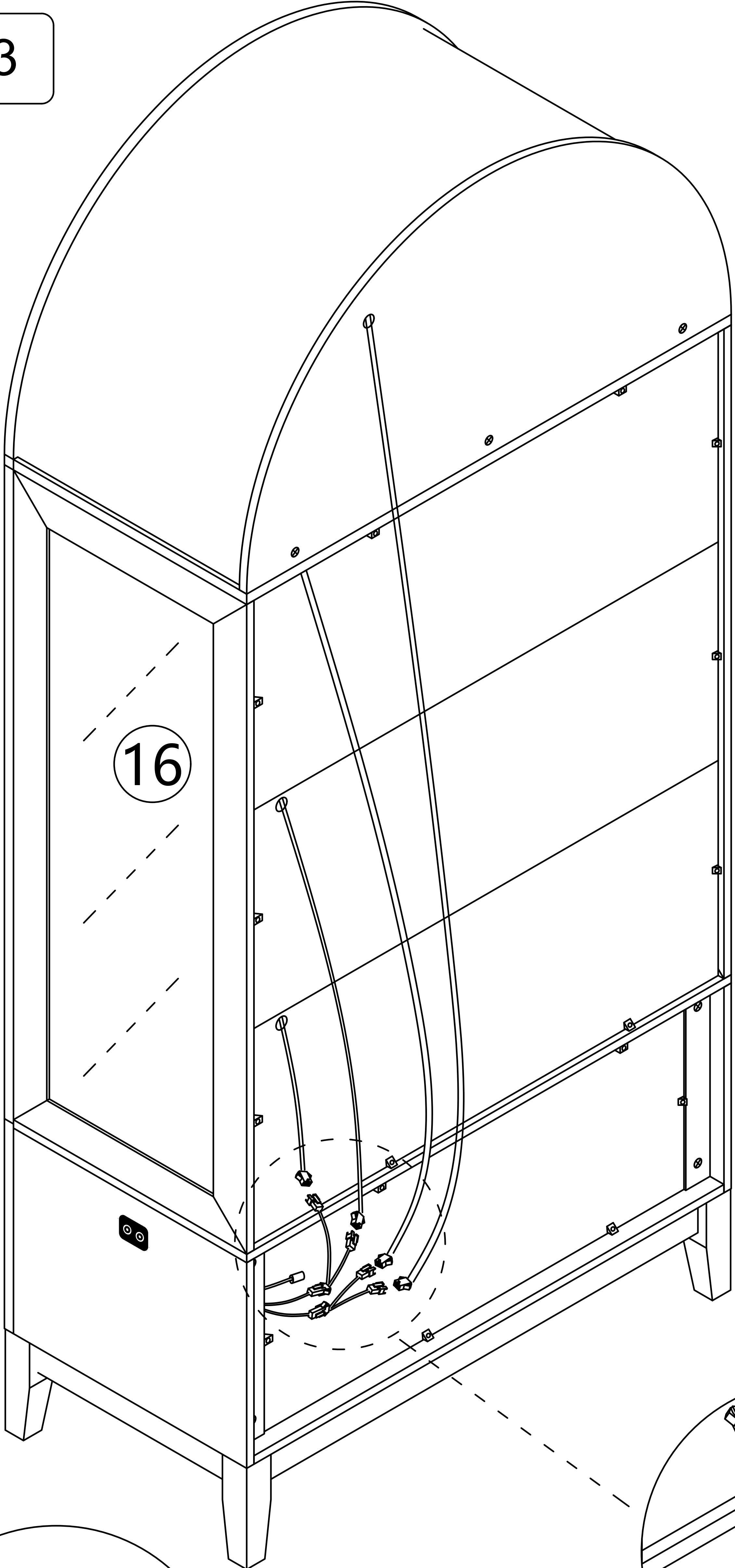
M  x2



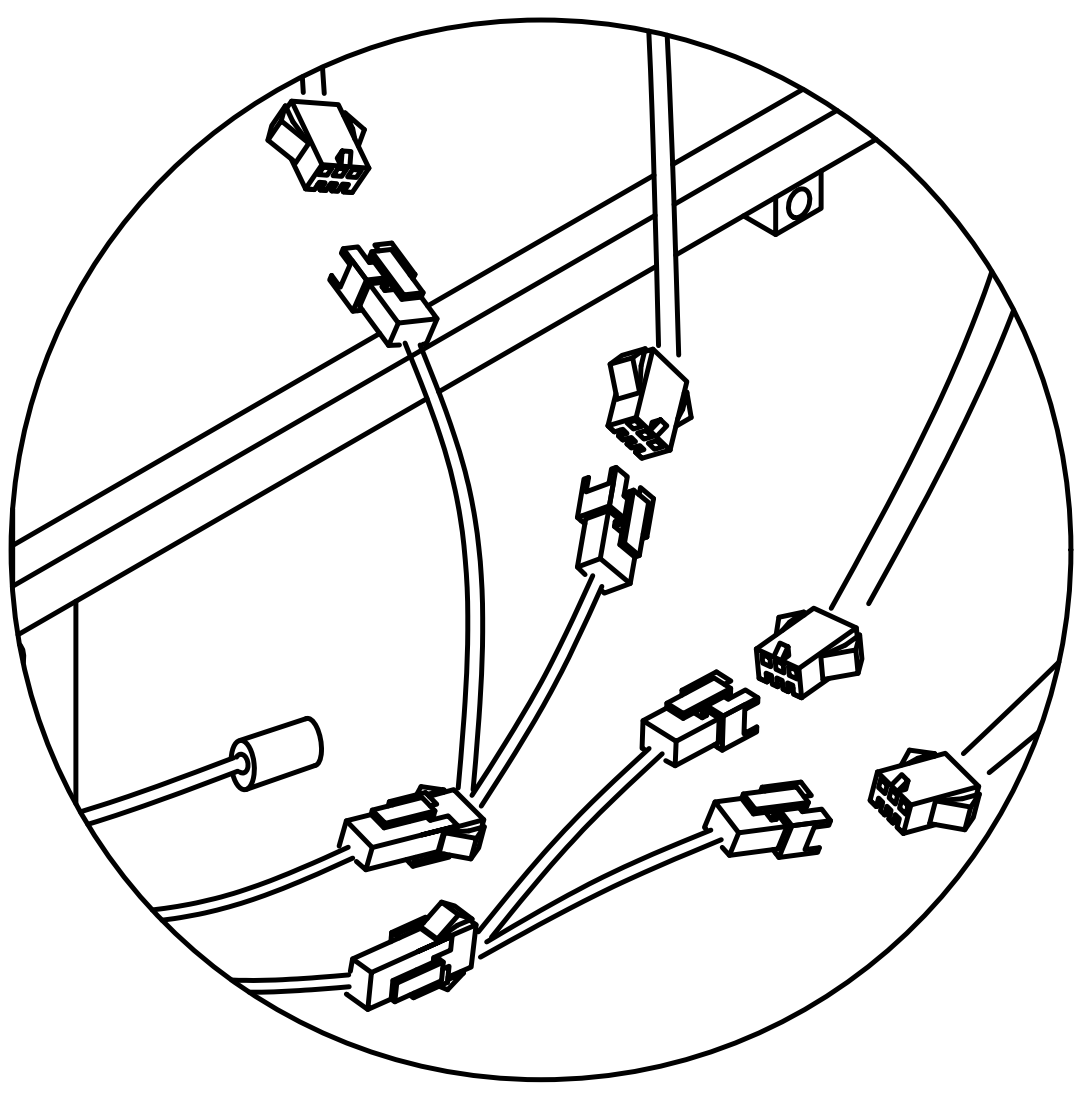
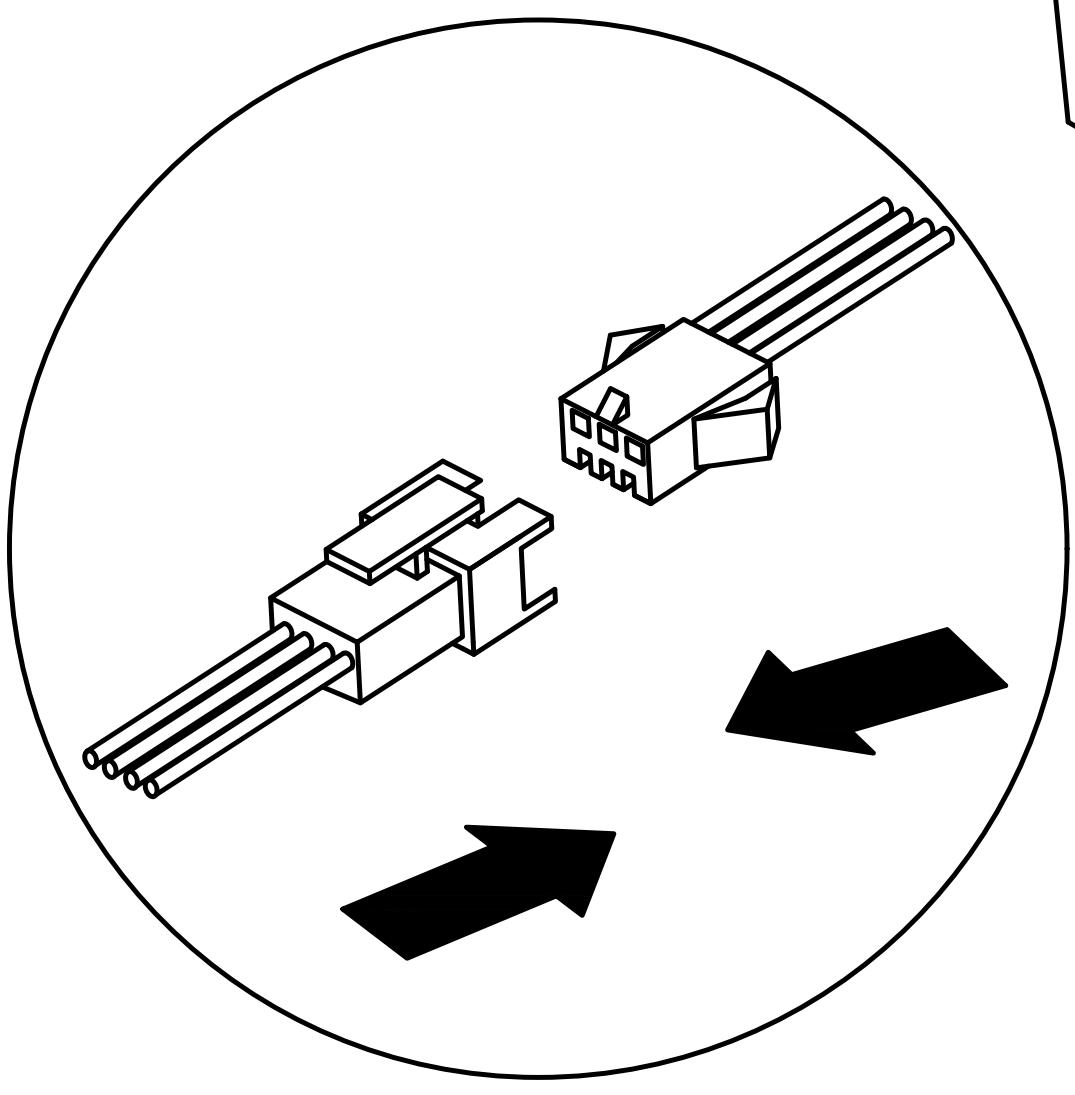
16



Step 63

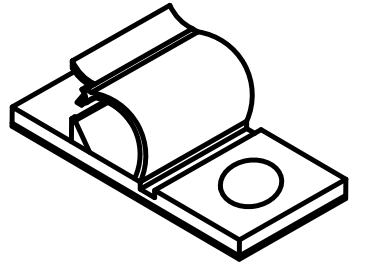


16

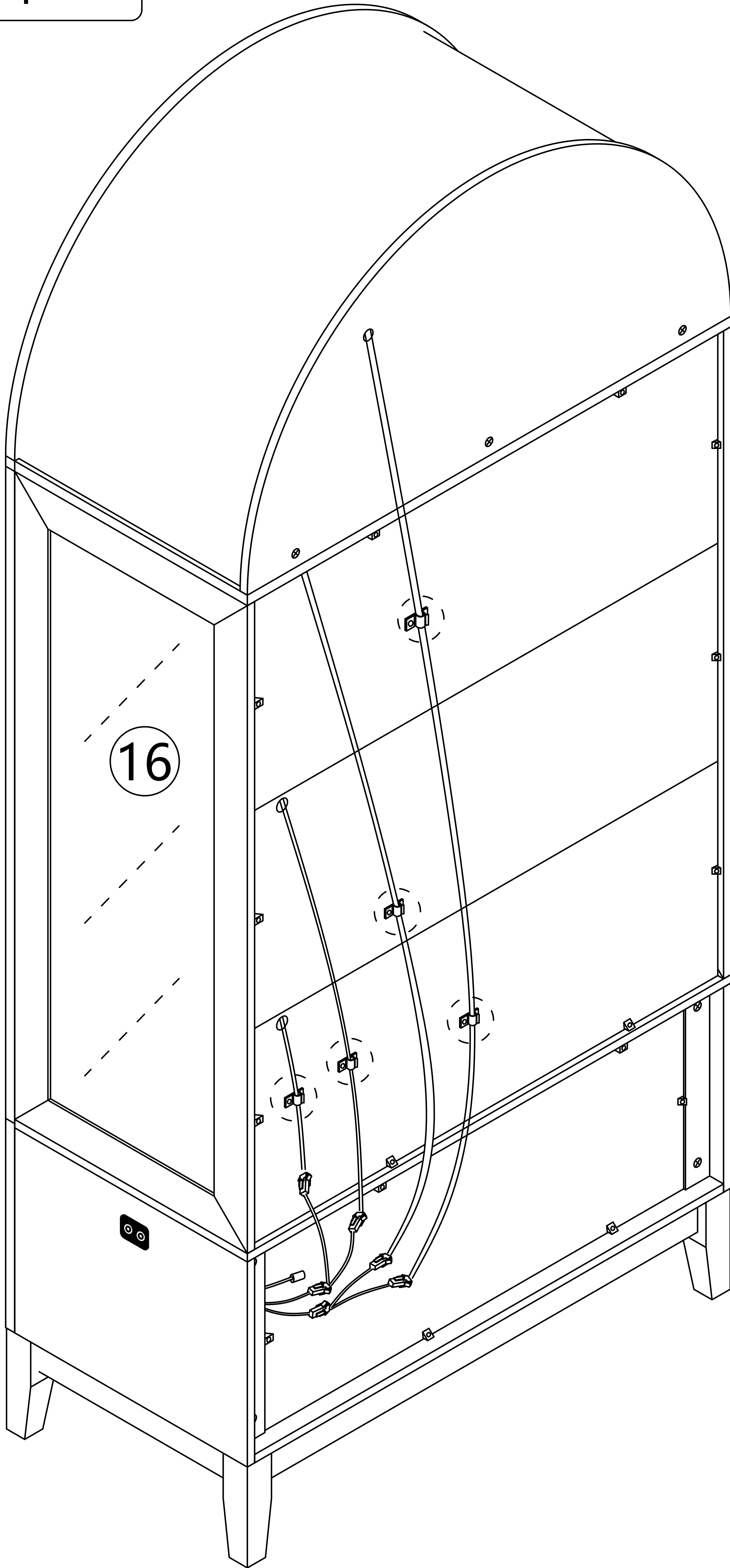


Step 64

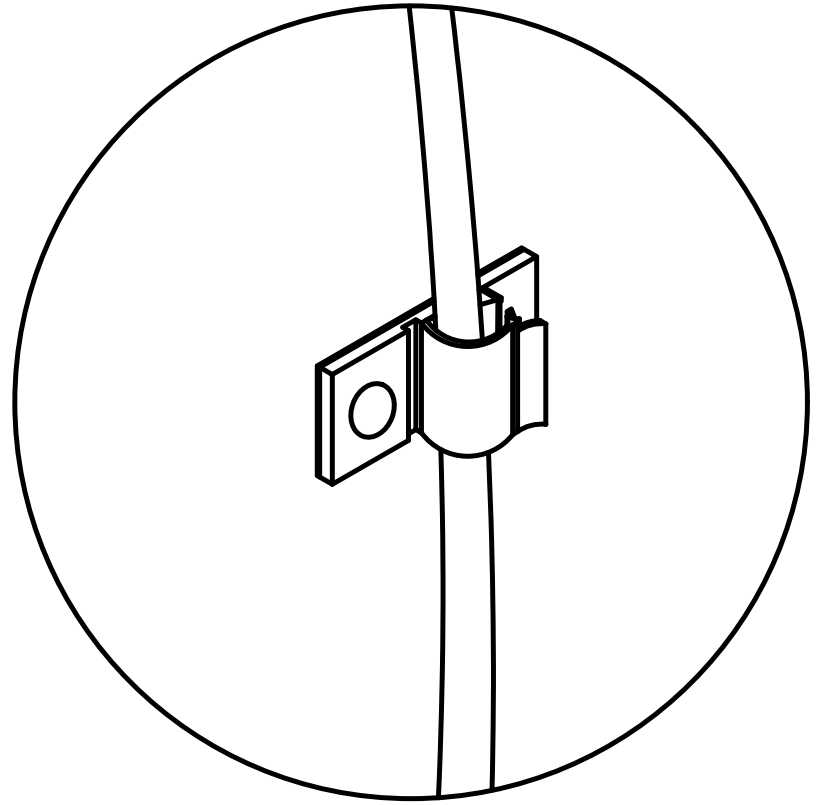
N



x5

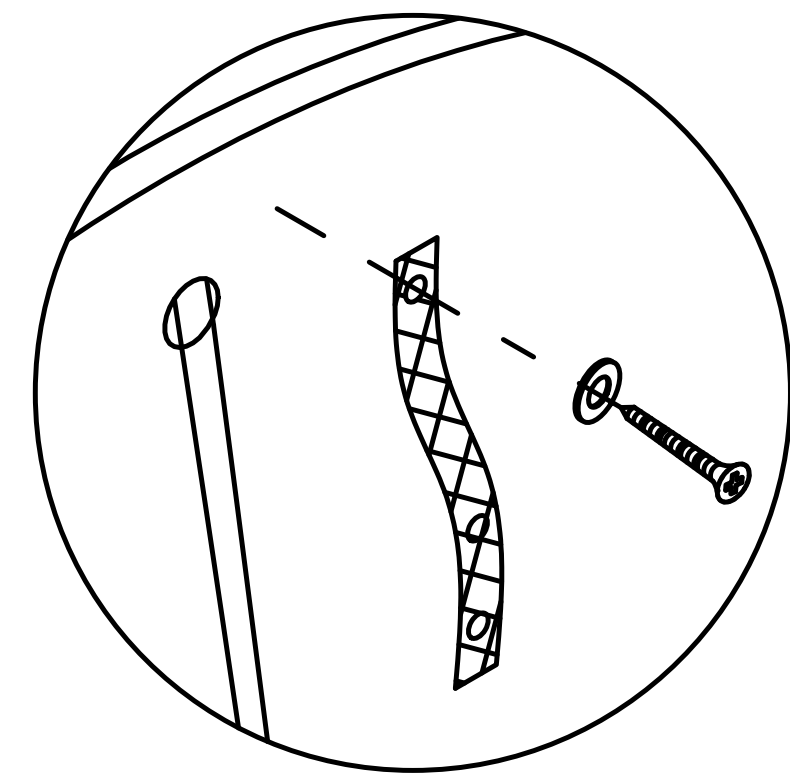
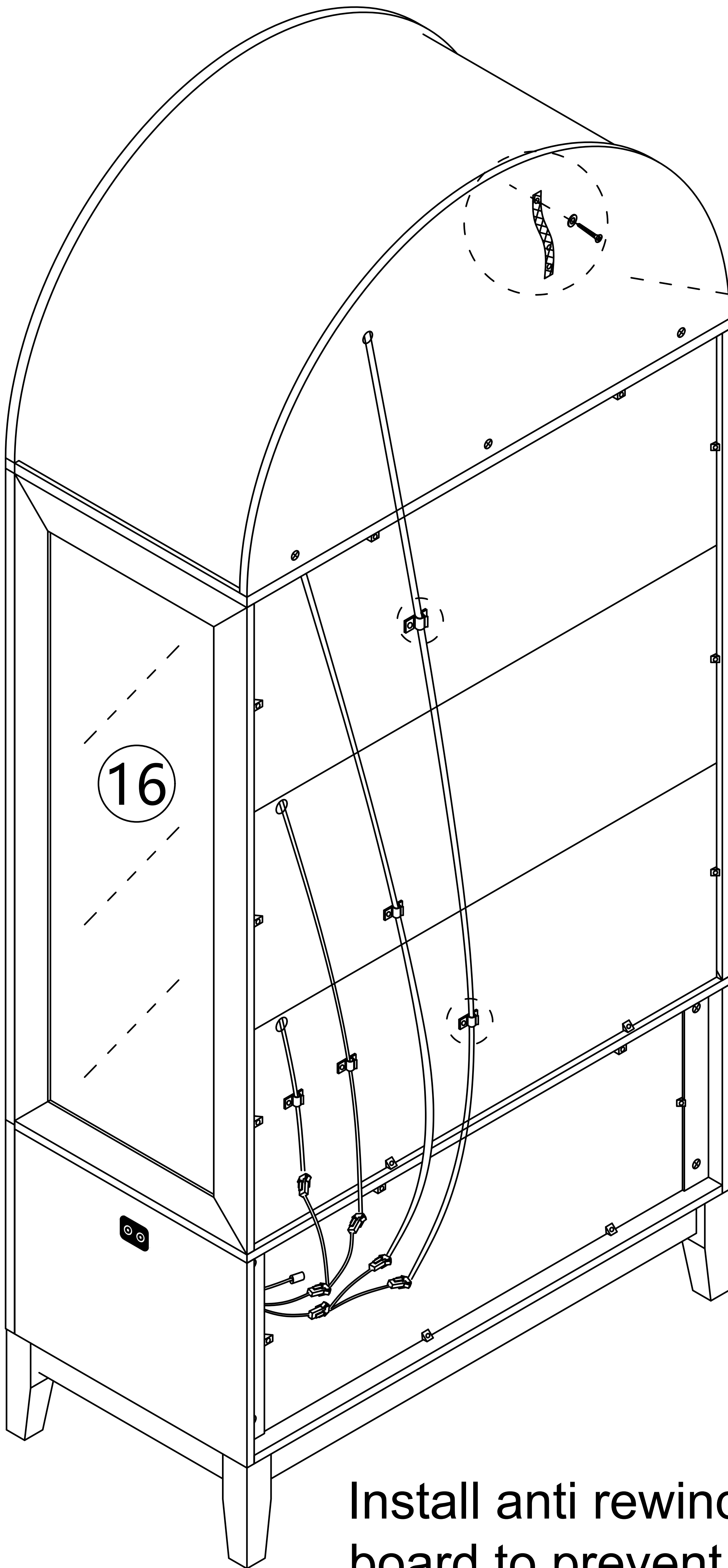
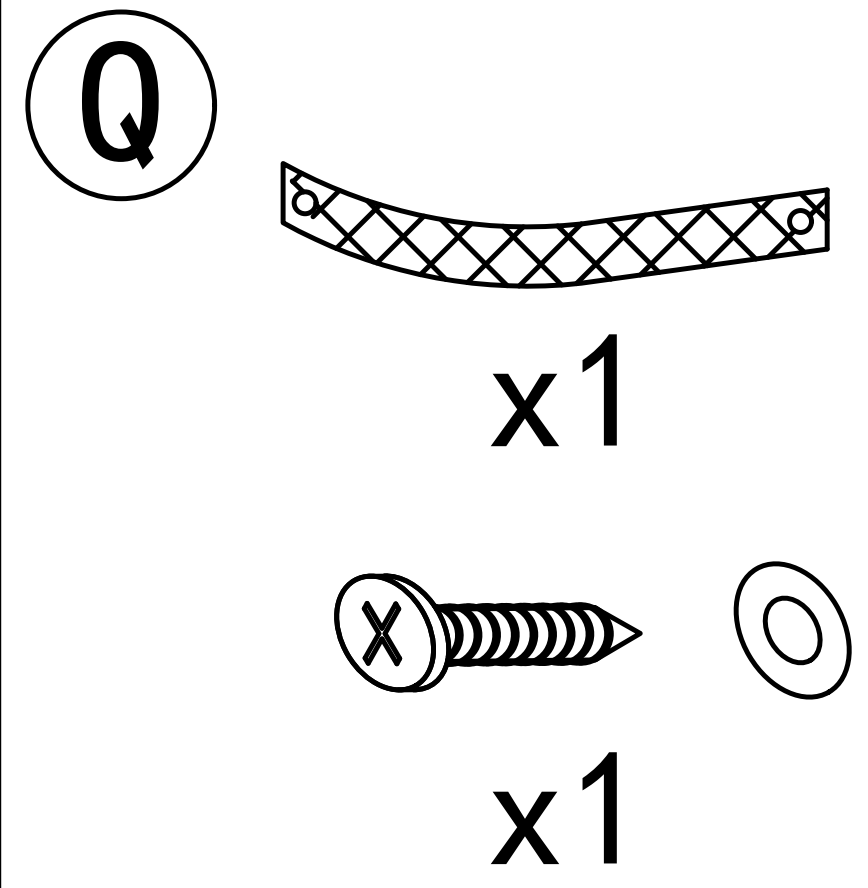


16



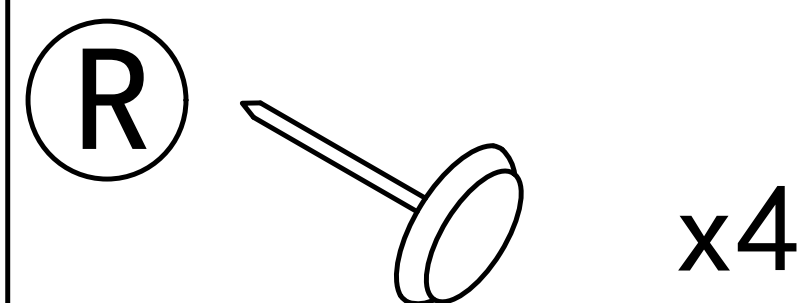
Step 65

Install the anti-rewind tape on the 28 board.

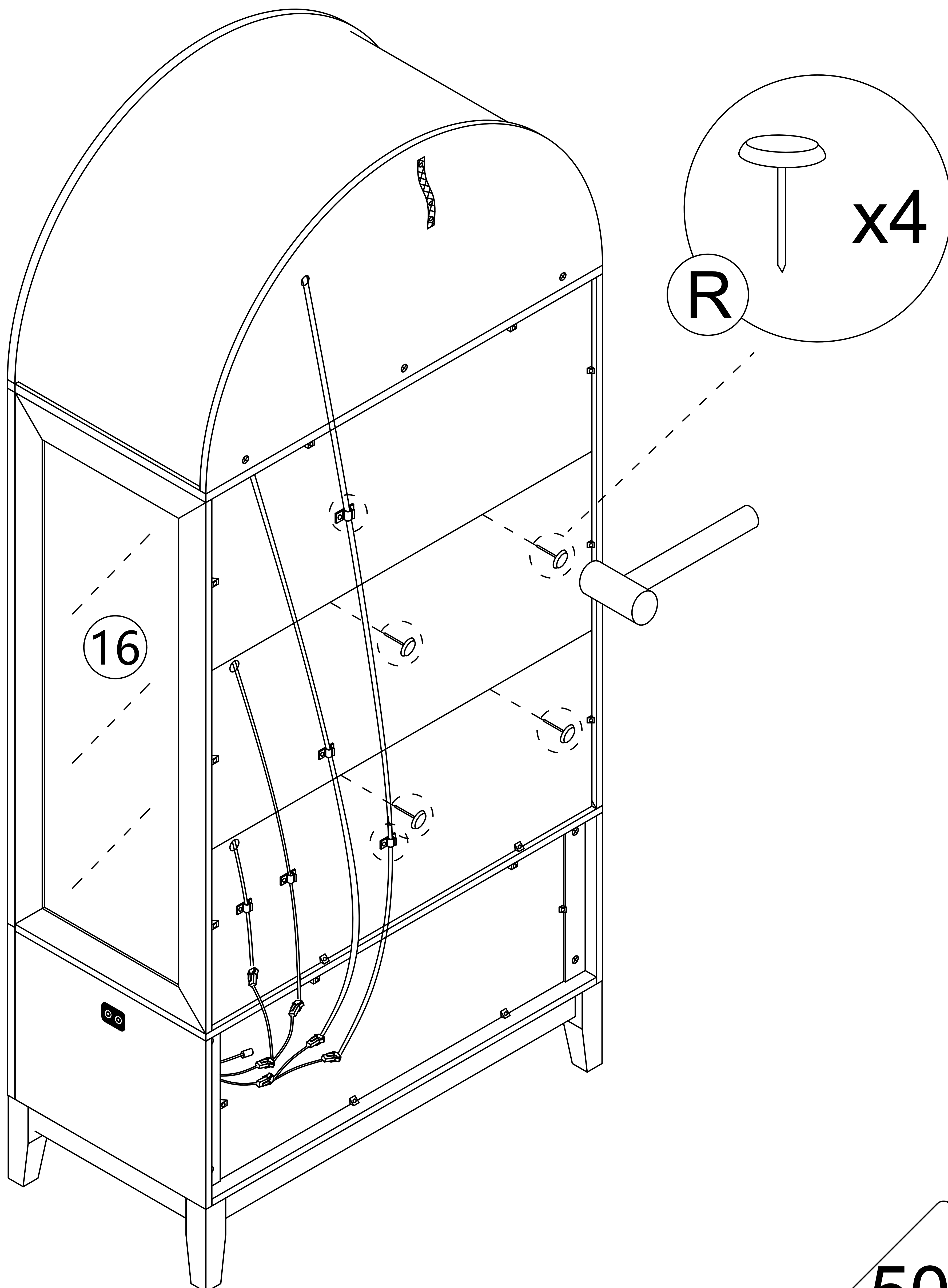


Install anti rewind tape at the edge of the board to prevent insufficient length when connecting to the wall

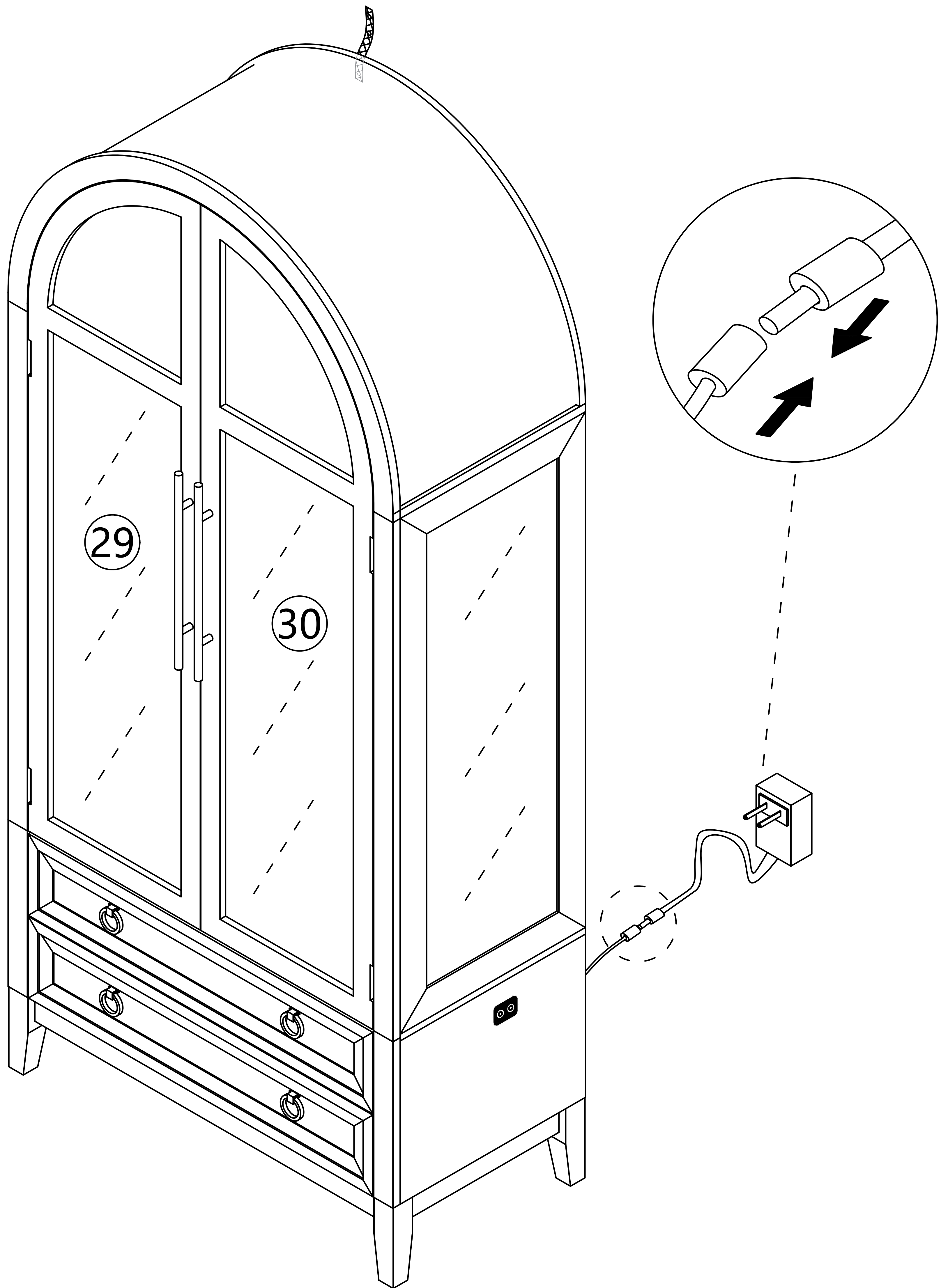
Step 66



Use a hammer to drive the nail into the gap of the wooden board and fix the back board

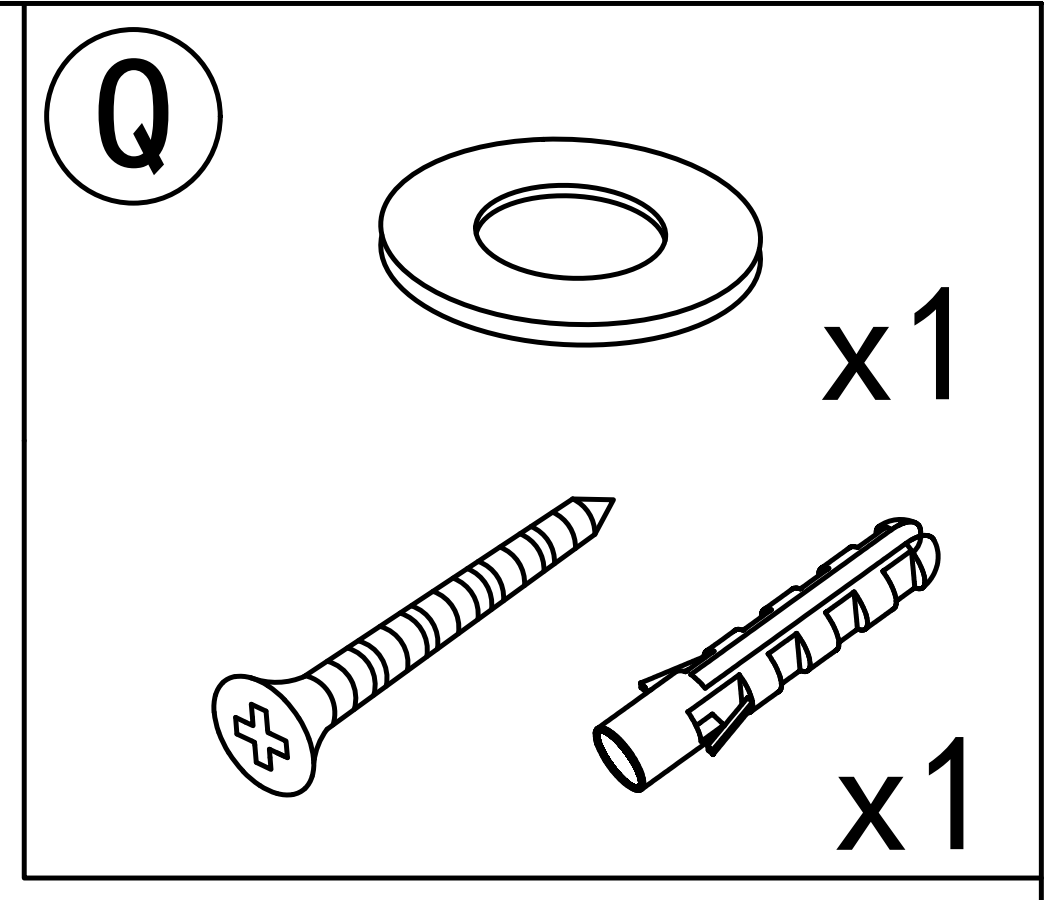
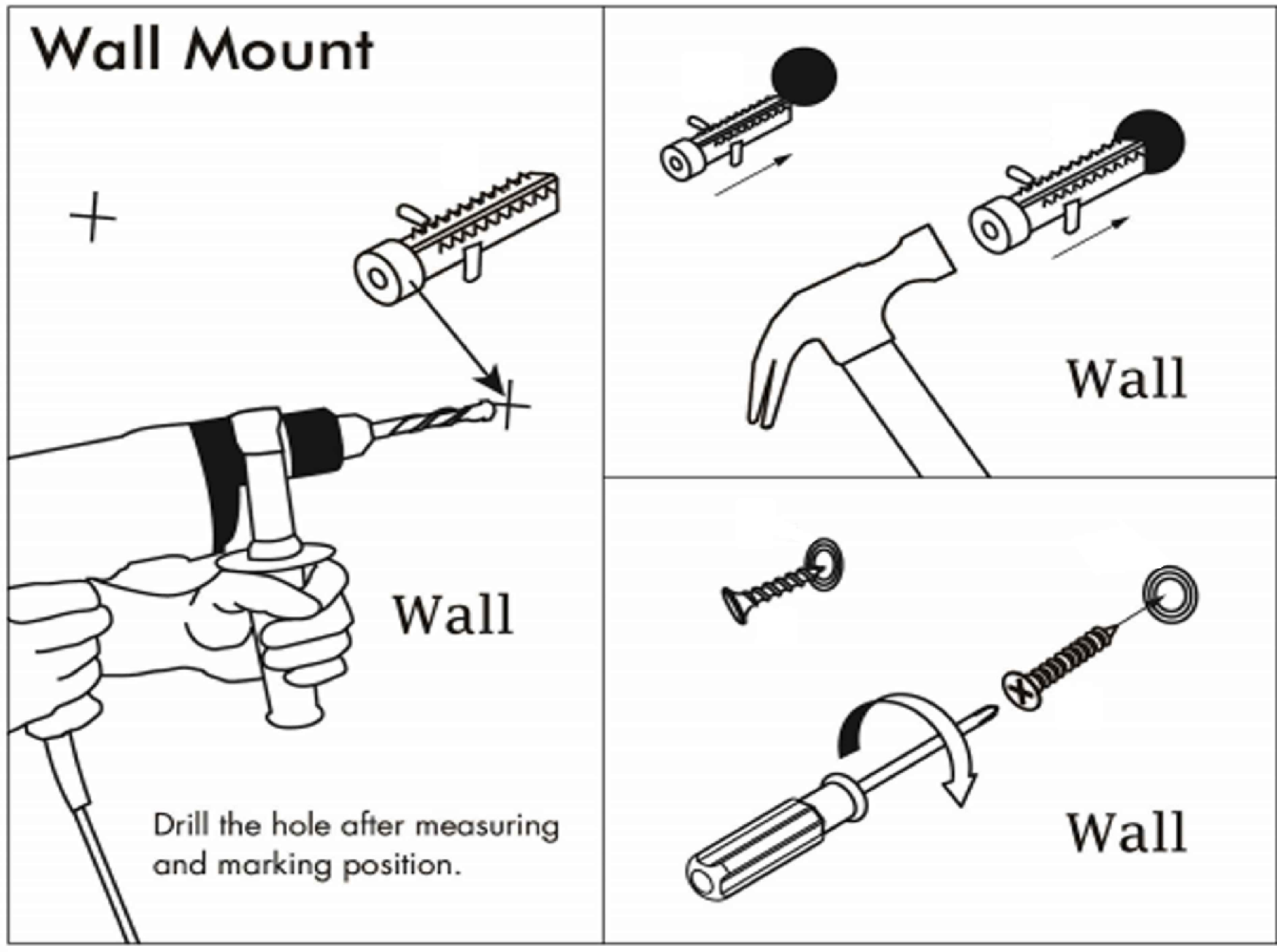


Step 67



Step 68

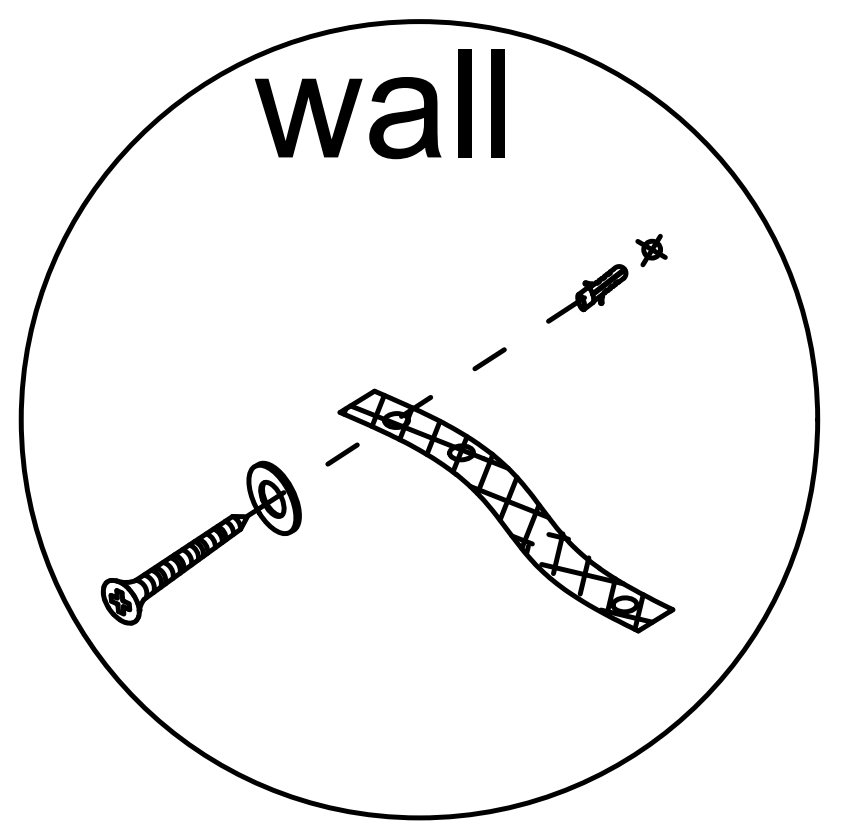
use a ruler to measure the approximate height of the product on the wall, and then mark it with a pencil.



Put the expansion bolt into the hole.

Pass the matching screws through the "anti-rewind" and tighten them to fix them on the wall.

Use a tape drill to make holes in the wall that are suitable for the product screws.



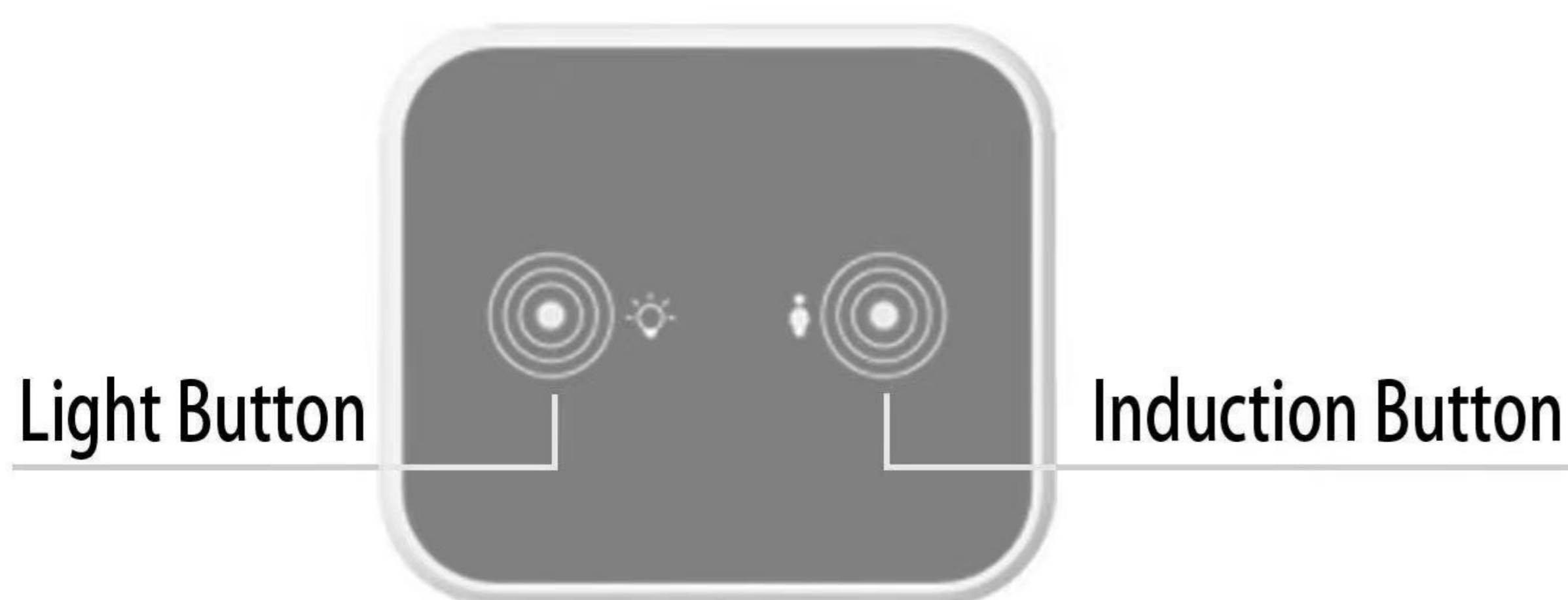
User's Guide

Thank you for purchasing this product. To use this product, please plug it into a 12V DC power supply. Please use if the product works normally after connecting to power.

Introduction

The box is an intelligent controller with 2 touch buttons. It can turn ON/OFF the light, change light colors, and adjust the light luminance.

Product Show



ATTENTION PLEASE

1. If there is no touch response suddenly, Re-plug the power to reset the touch static electricity.
2. If bubbles appear on the panel, remove the protective film.

Operation



This touch button is used to turn on/off, change colors, and adjust brightness.

A. Short touch -> lighting on -> short touch -> change light color -> short touch -> change light color -> short touch -> lighting off. B. Long touch -> adjust the luminance



This touch button is used to turn on/off the induction function.

A. Short touch to turn on the induction function. It can auto-turn on the light when people are close to the controller in 1 meters. It can auto power off the light when the body is far away from the controller after 30 seconds.

B. Long touch to turn off the induction function.

C. Note: When you touch the light button to change the light modes, the induction function will automatically turn off. It is best to turn on this function after selecting the light color and adjusting the brightness you want.