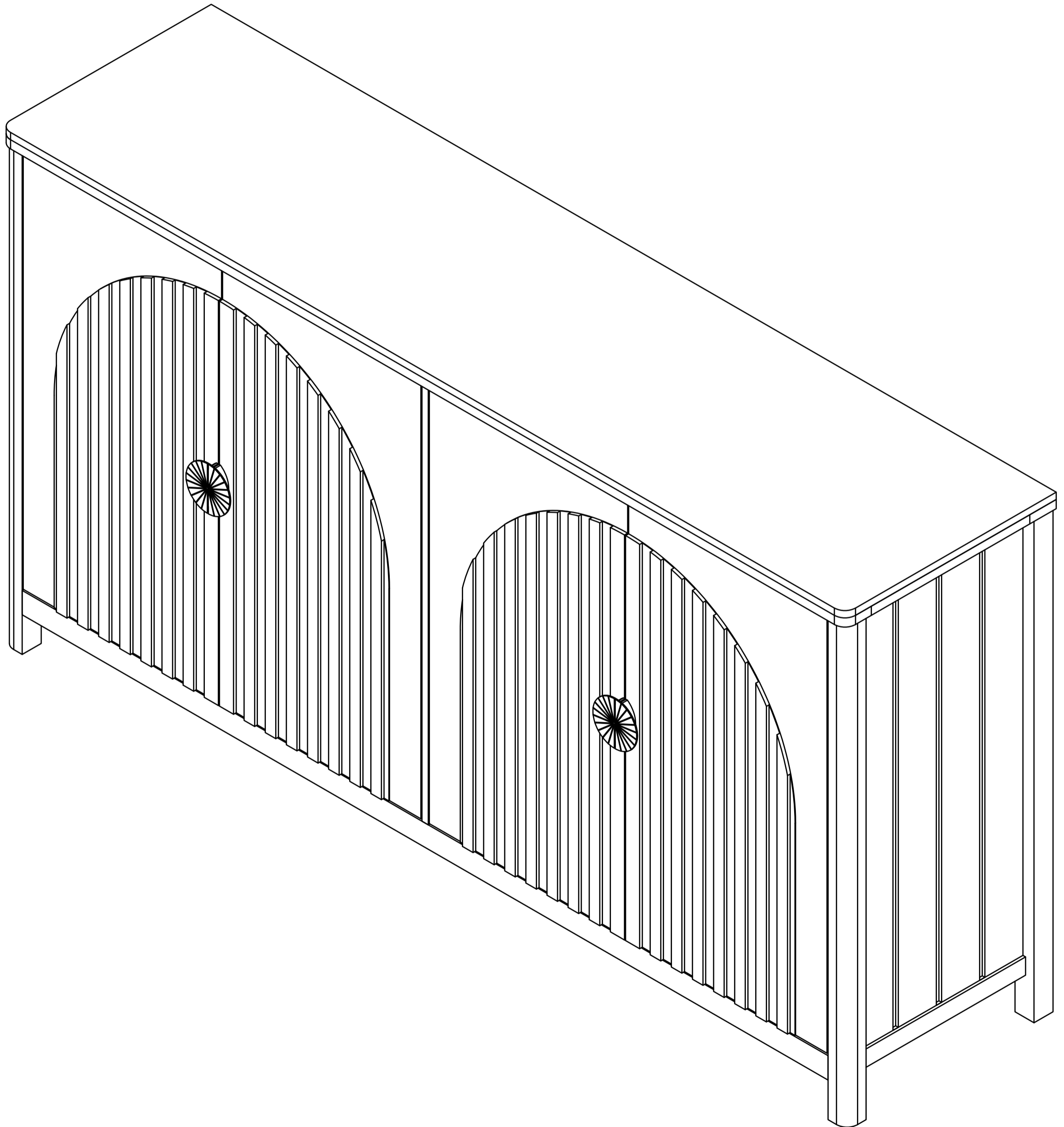
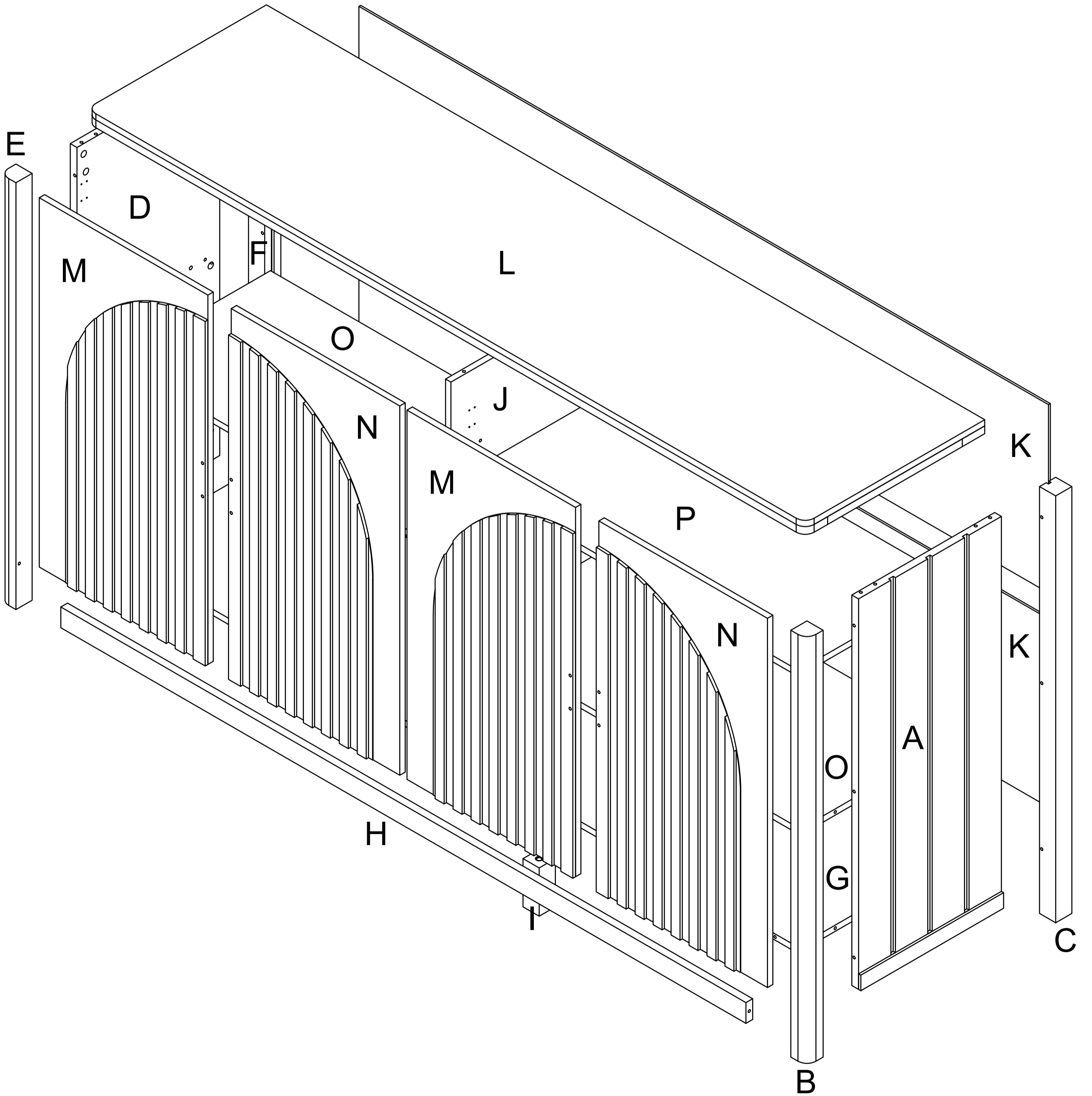
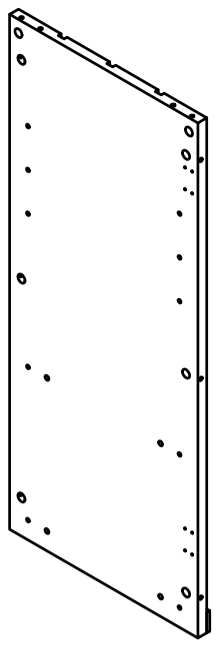


# Product Installation Guide



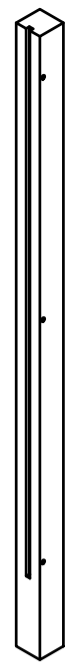




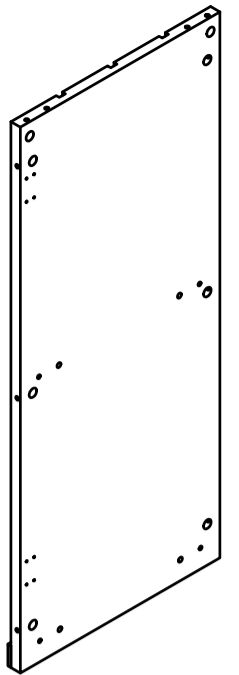
**Ax1**



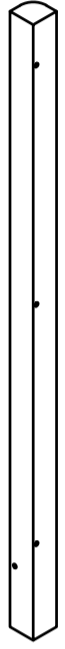
**Bx1**



**Cx1**



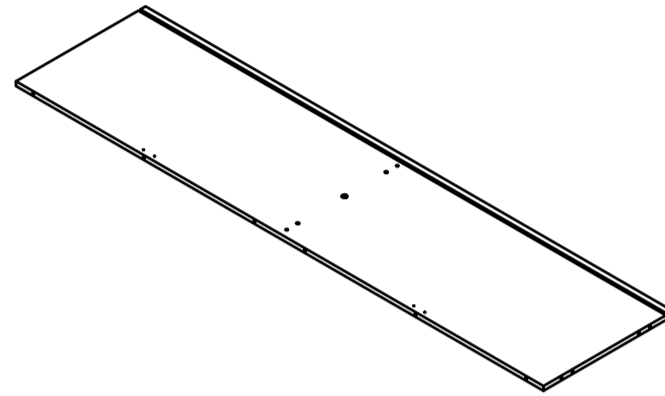
**Dx1**



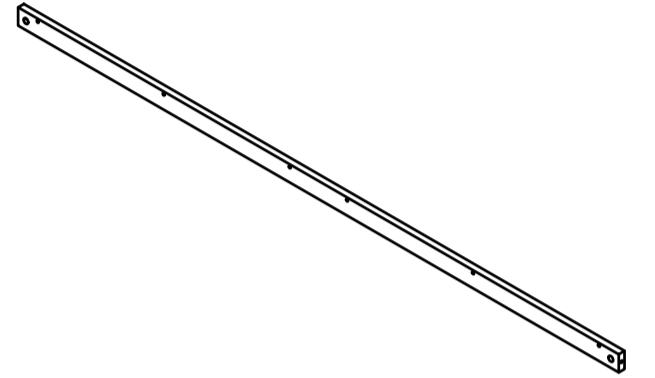
**Ex1**



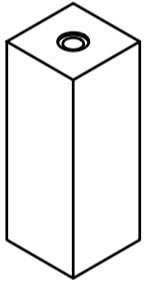
**Fx1**



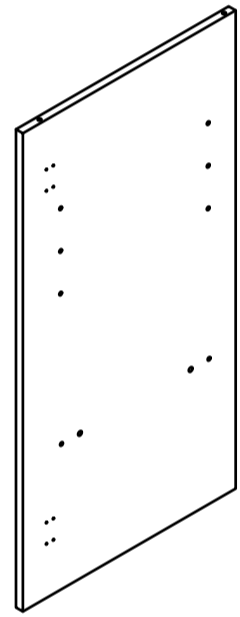
**Gx1**



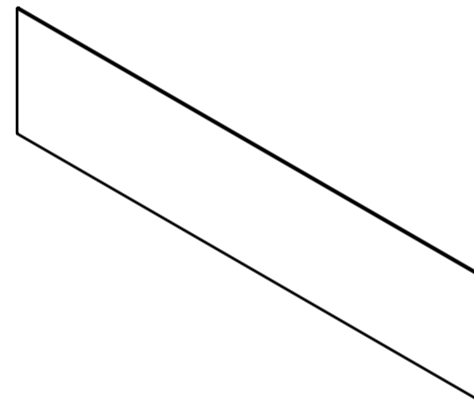
**Hx1**



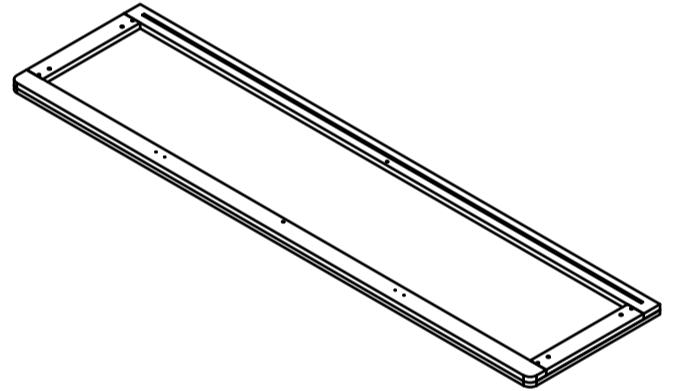
**Ix1**



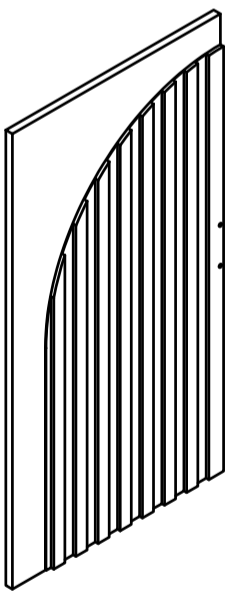
**Jx1**



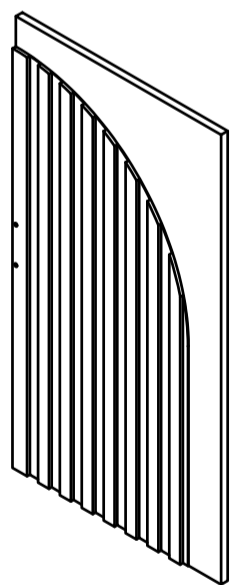
**Kx2**



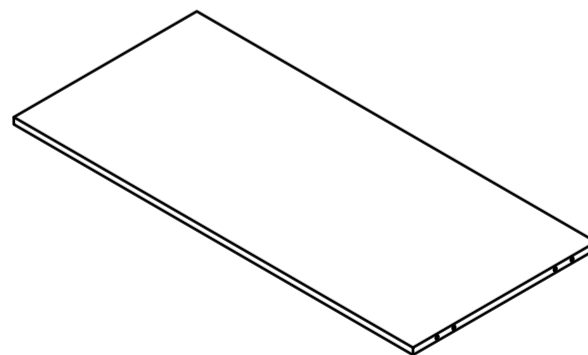
**Lx1**



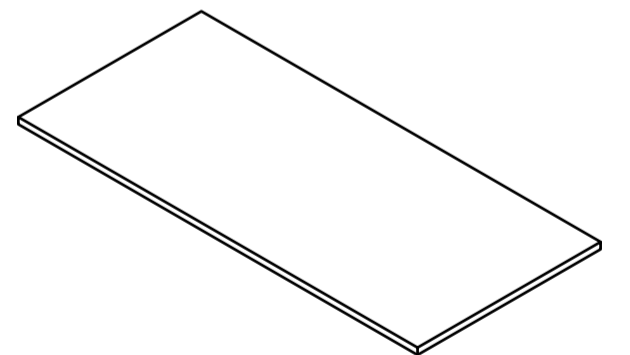
**Mx2**



**Nx2**

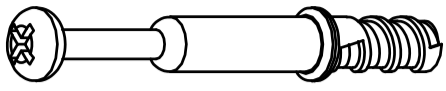

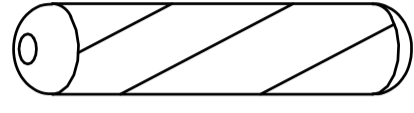
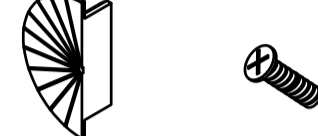
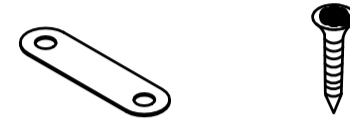
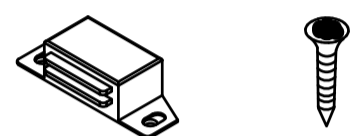
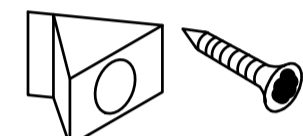
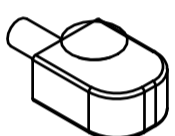
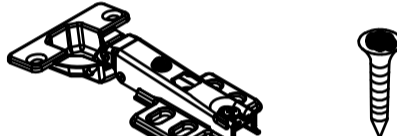







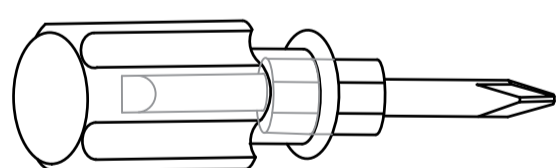
**Ox2**



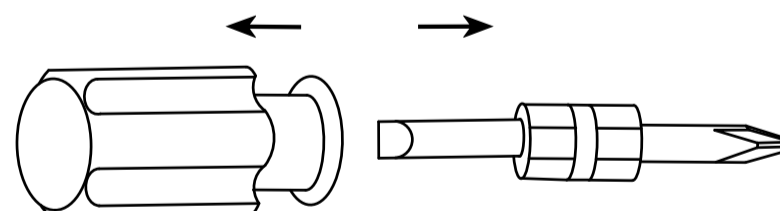
**Px1**

# Accessories list

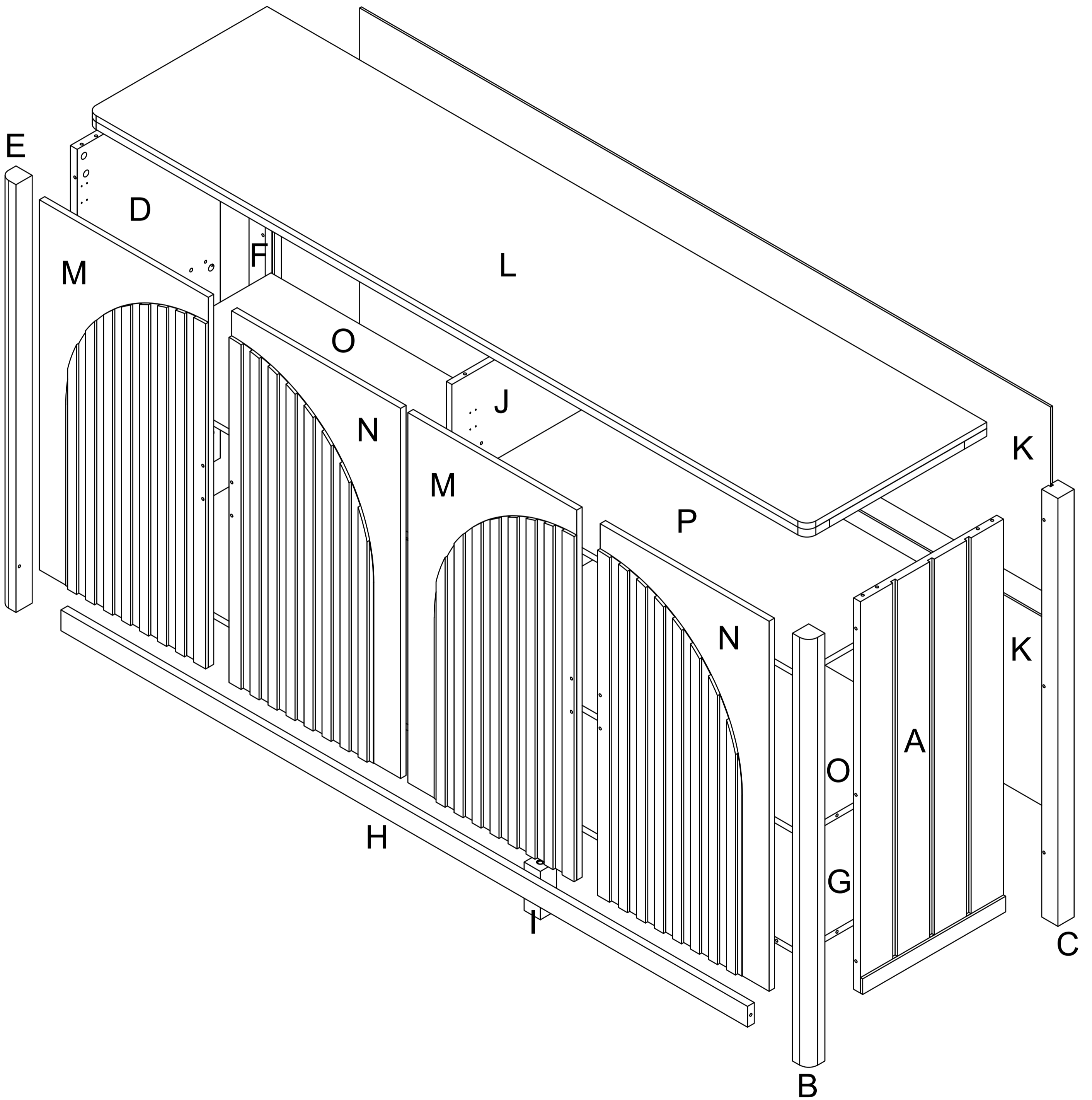
①		Two In One Screw (6x28mm)	40pcs +3pcs
②		Two In One Nut (10x12mm)	40pcs +3pcs
③		Wood Chipping (6x30mm)	18pcs +1pcs
④		Handle & Screw (4x22mm)	4pcs / 8pcs +1pcs
⑤		Iron Sheet & Screw (3x10mm)	8pcs / 16pcs +1pcs
⑥		Door Magnet & Screw (3x16mm)	4pcs / 8pcs +1pcs
⑦		Fixing clip & screw (3x16mm)	10pcs +1pcs
⑧		Laminate support nail	4pcs
⑨		Countersunk head tapping screw(3.5x14mm)	8pcs / 48pcs +2pcs
⑩		Screw (6x20mm)	1pcs
⑪		Glue clamp strips (758mm)	2pcs
⑫		nail	1pcs
⑬		Foot pads 36*36x2mm-R20	2pcs
⑭		Foot pads 36*36x2mm	3pcs



1pcs

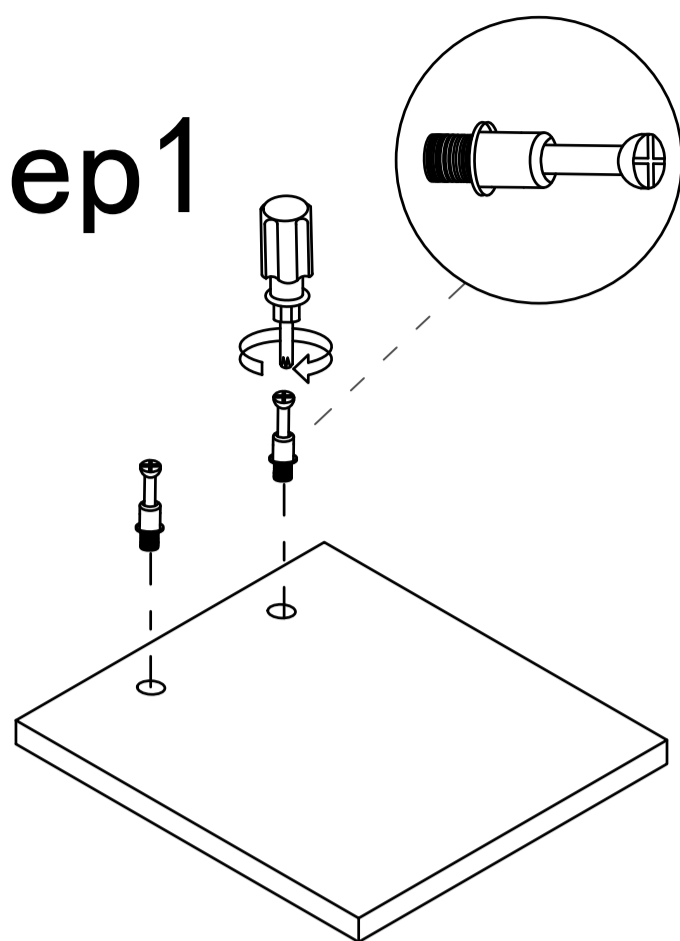


Double-head screwdriver, use as required

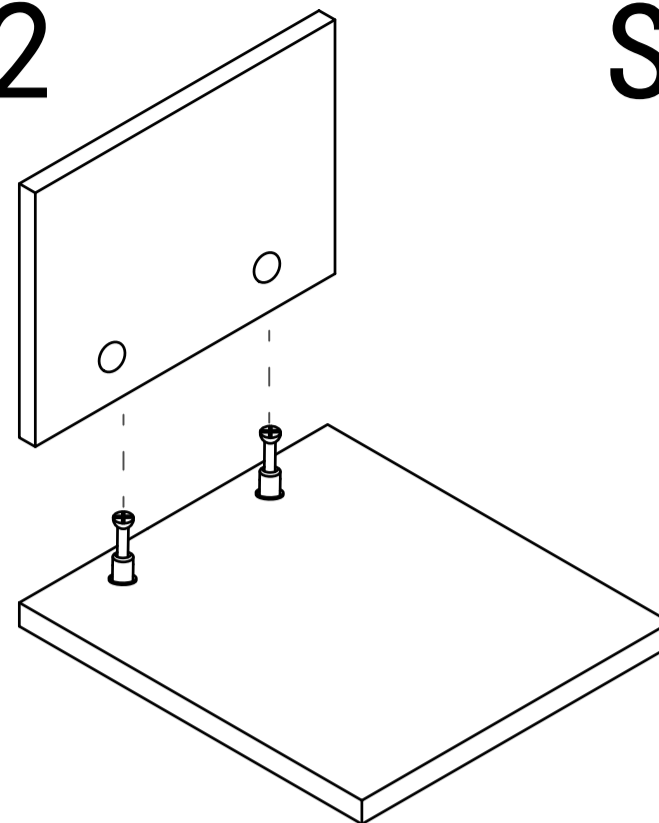


# Use parts A and B

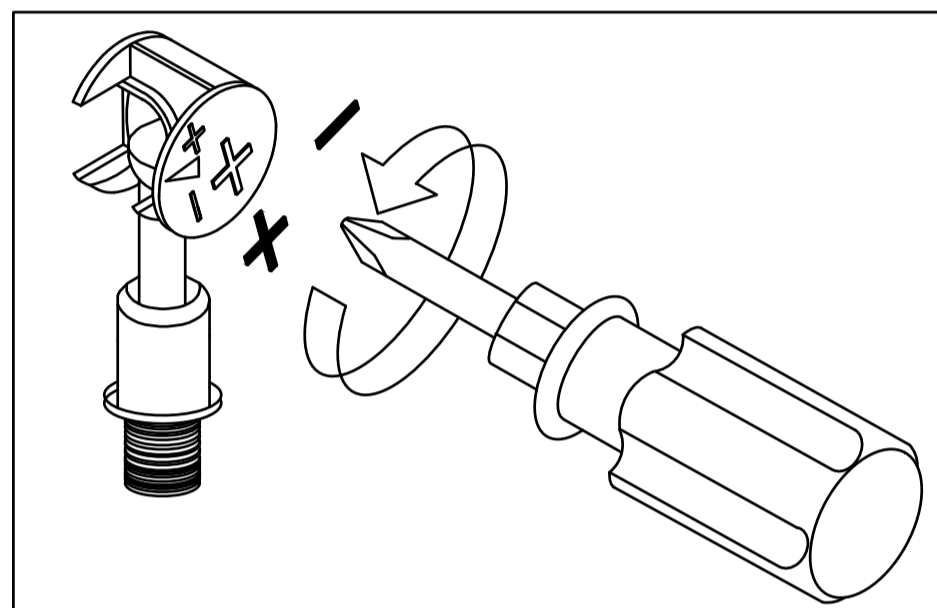
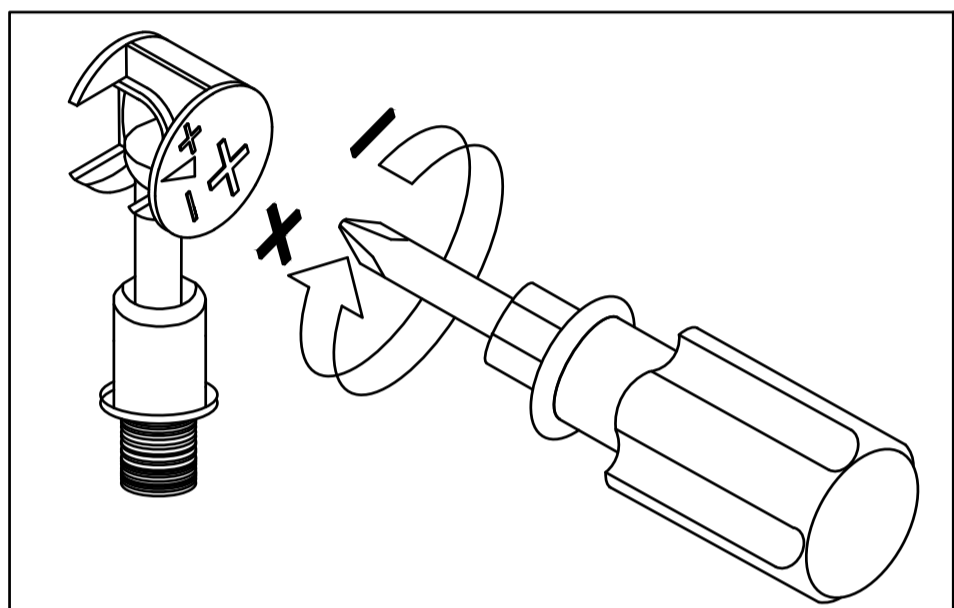
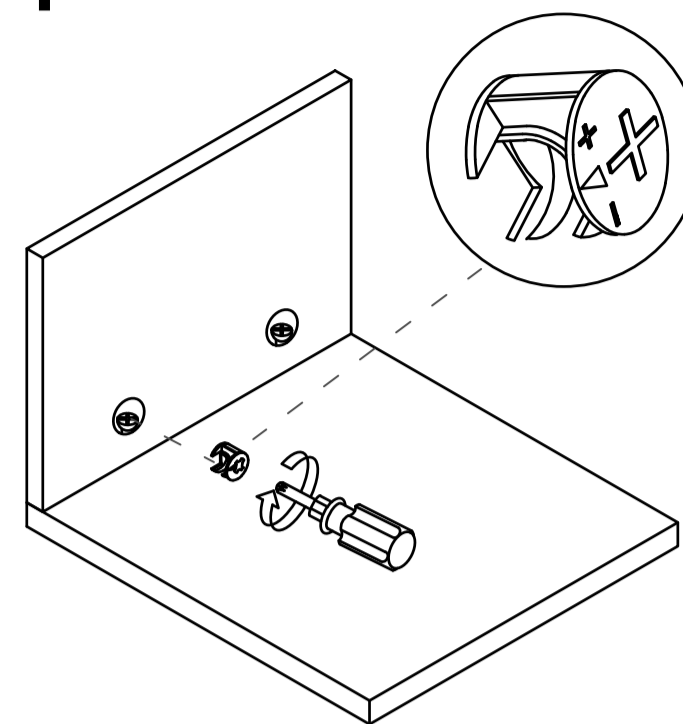
Step 1



Step 2



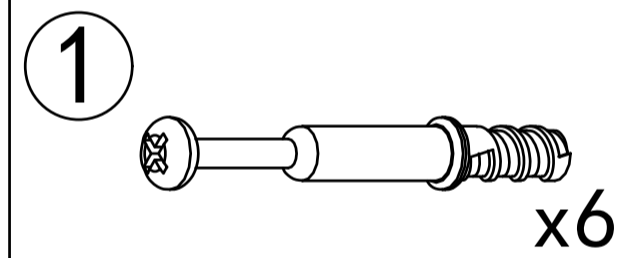
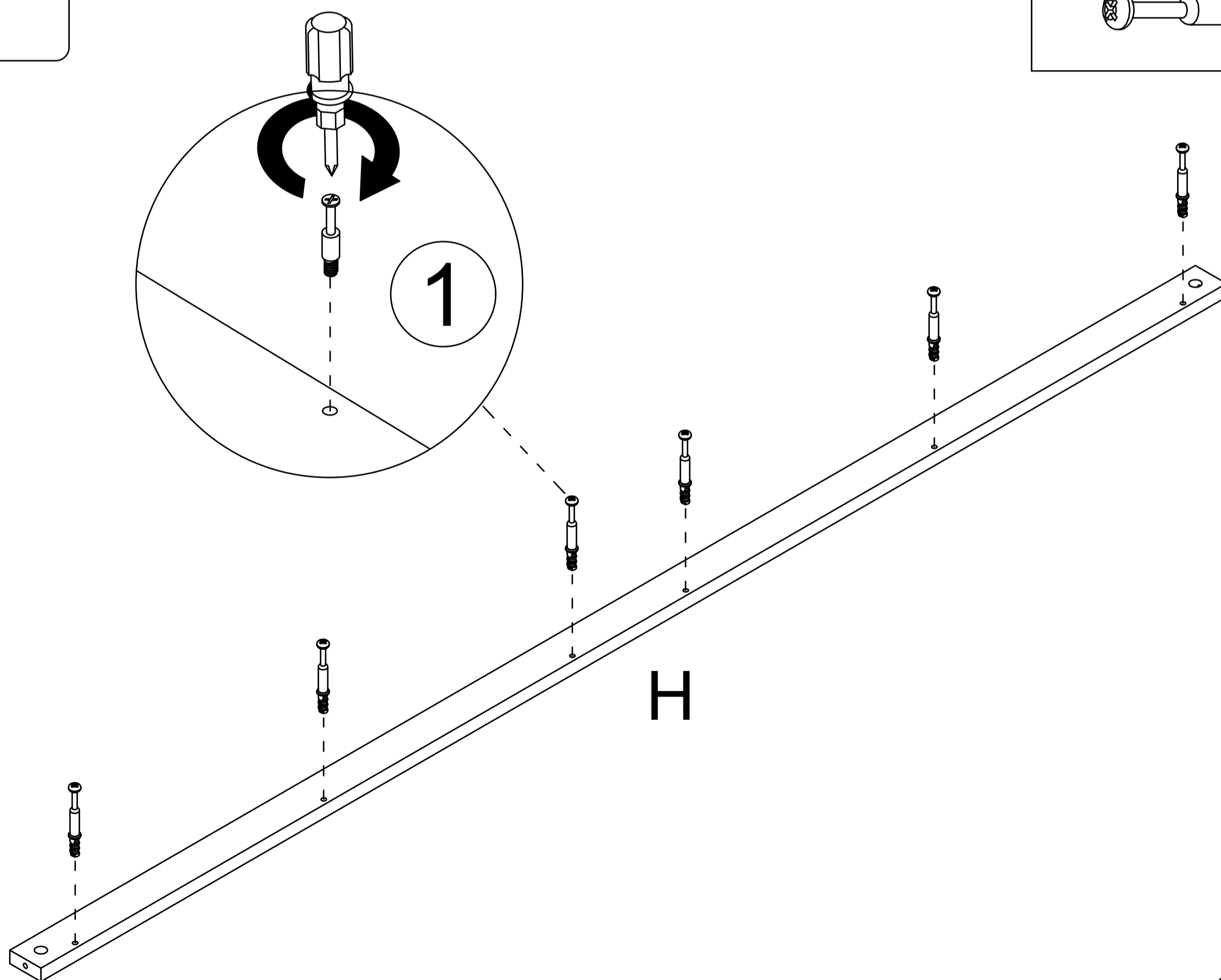
Step 3



Use a screwdriver to tighten in the direction of the "+" sign.

Disassemble in the direction of the "-" sign.

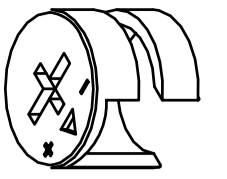
Step 1



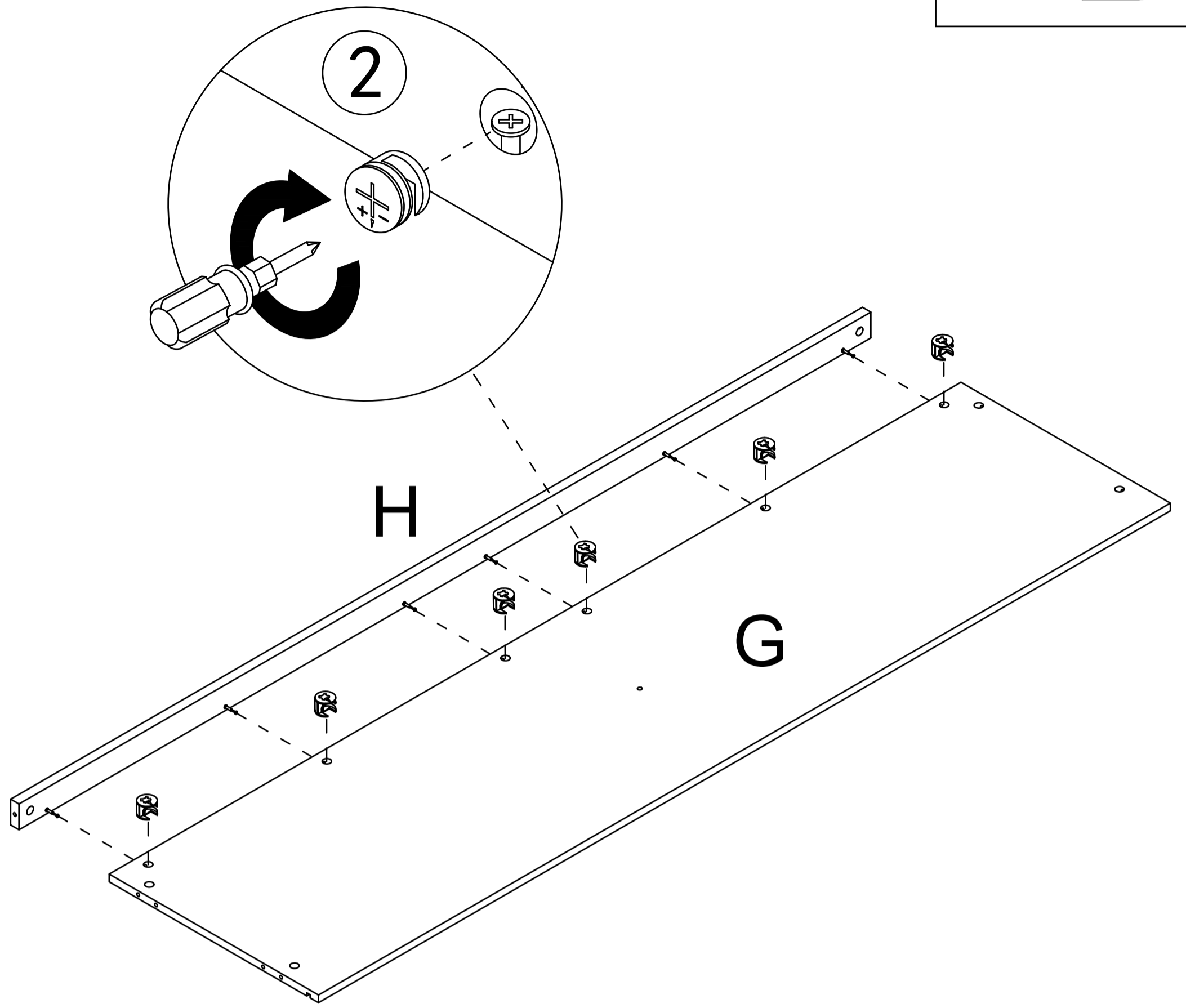
5

# Step 2

2



x6



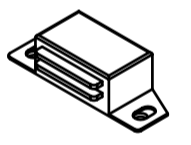
# Step 3

10



x1

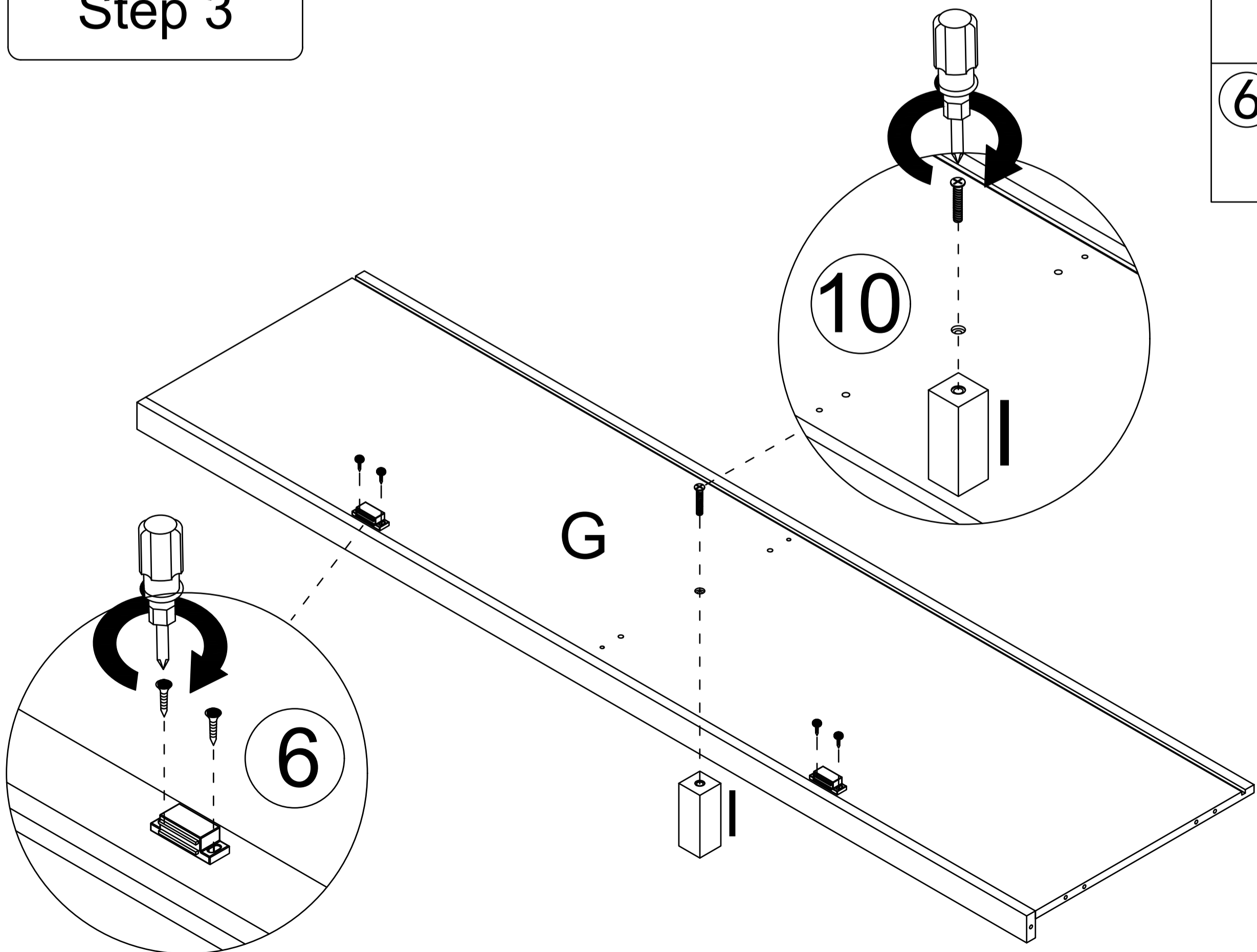
6



2pcs

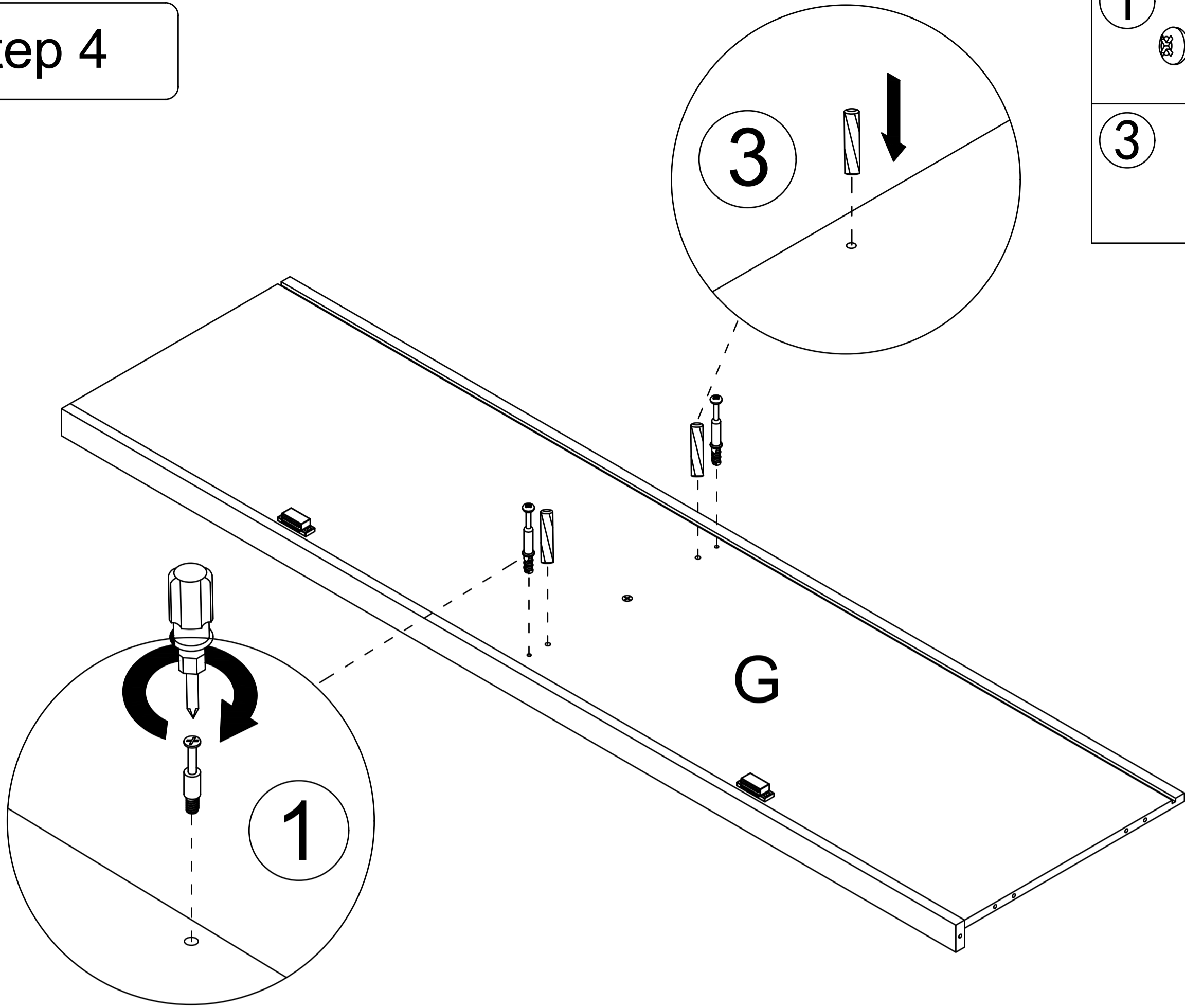


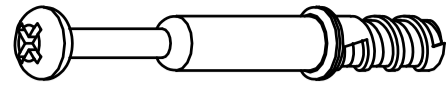

4pcs



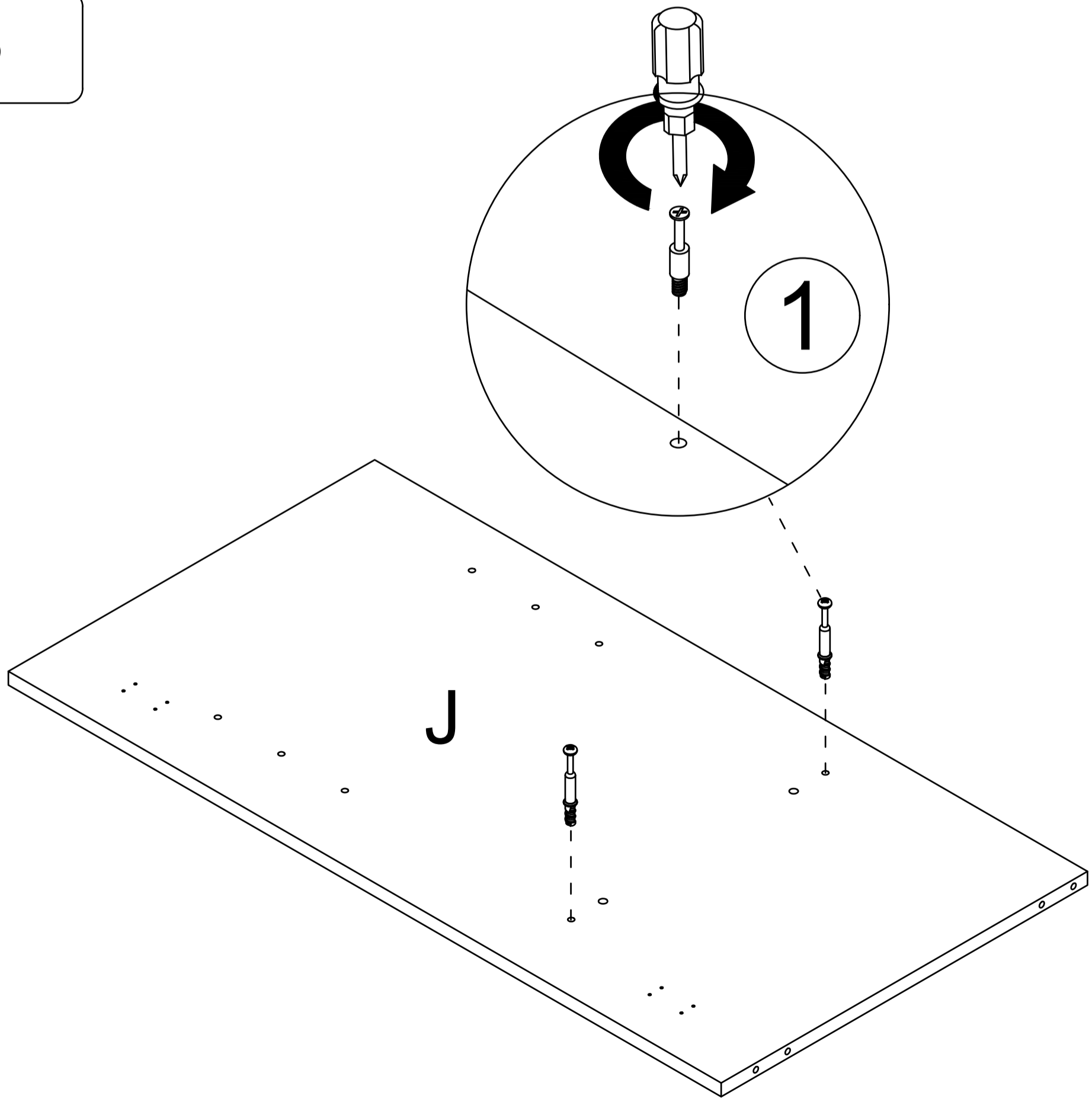
6

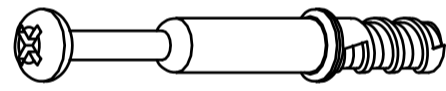
# Step 4



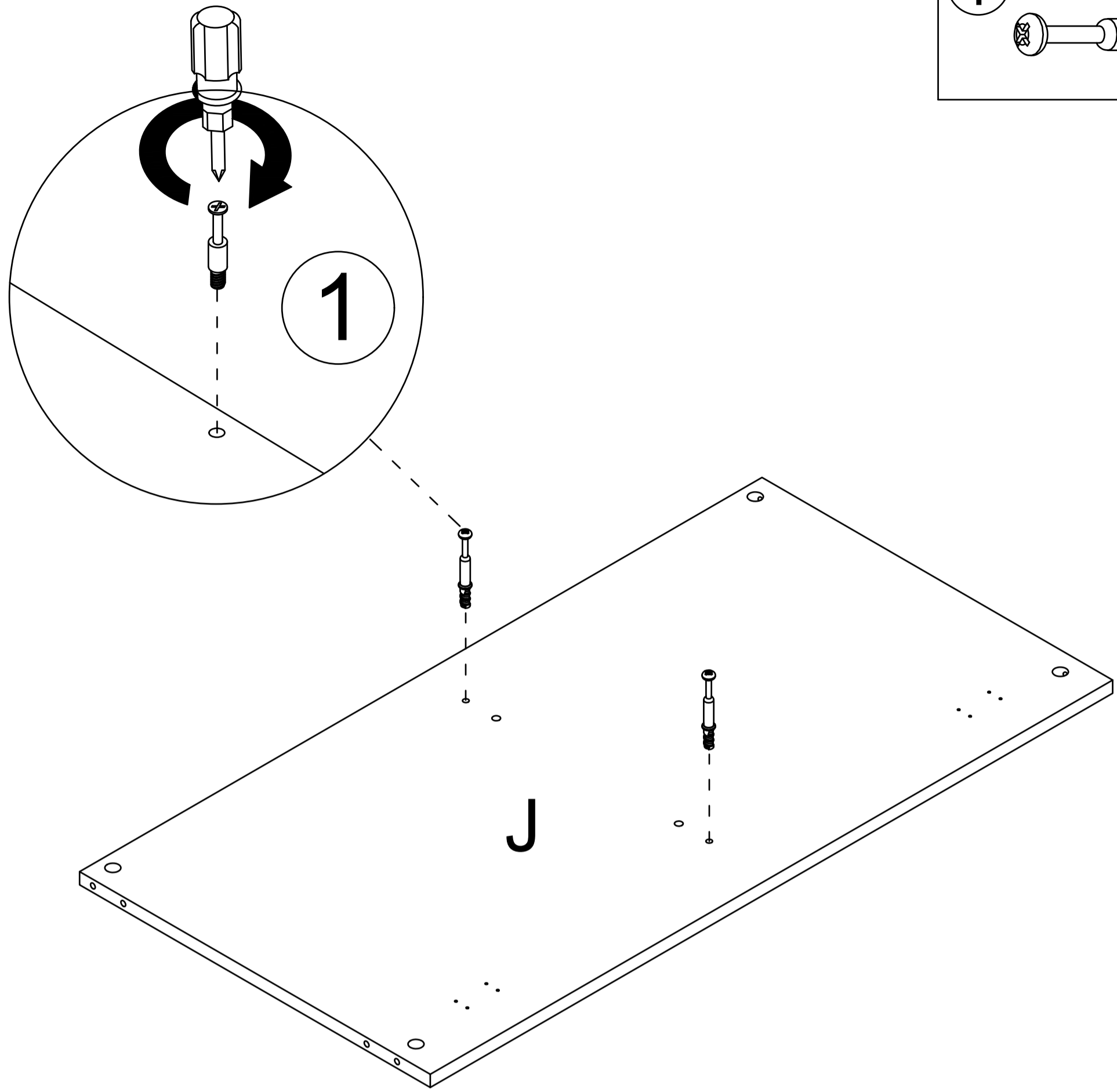
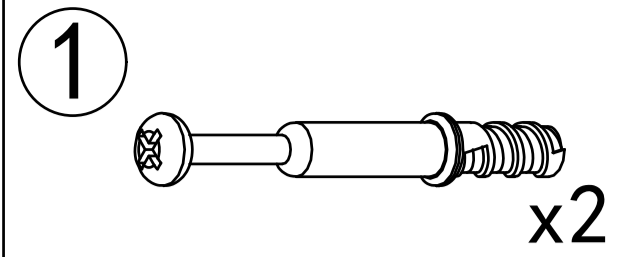
- ①  x2
- ③  x2

# Step 5

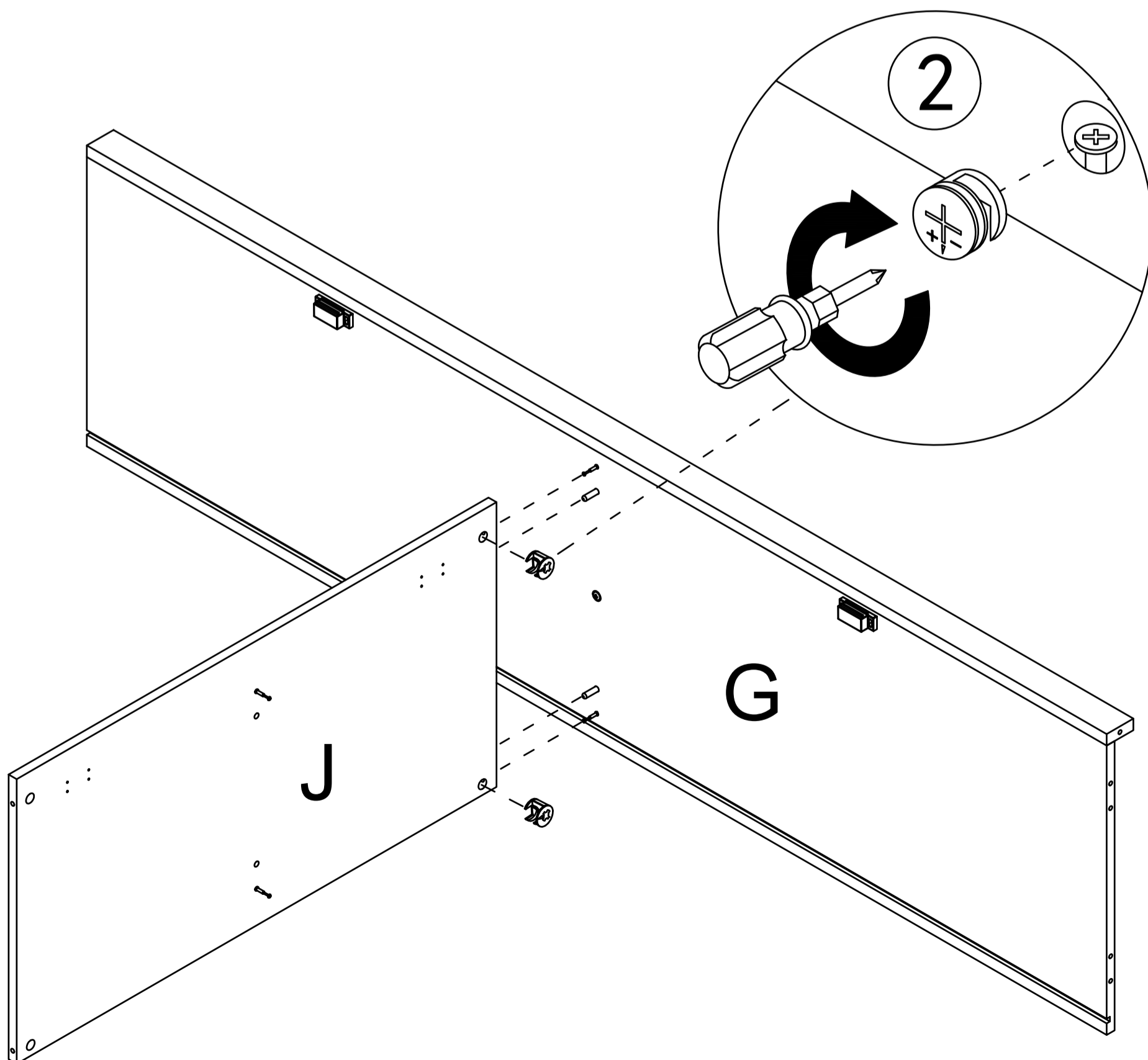
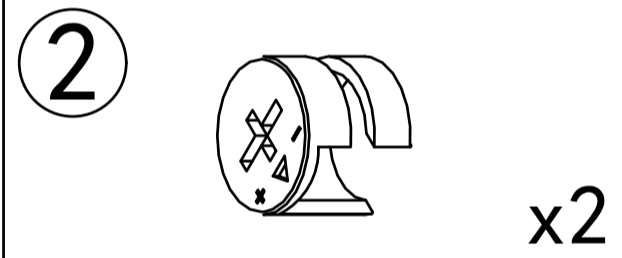


- ①  x2

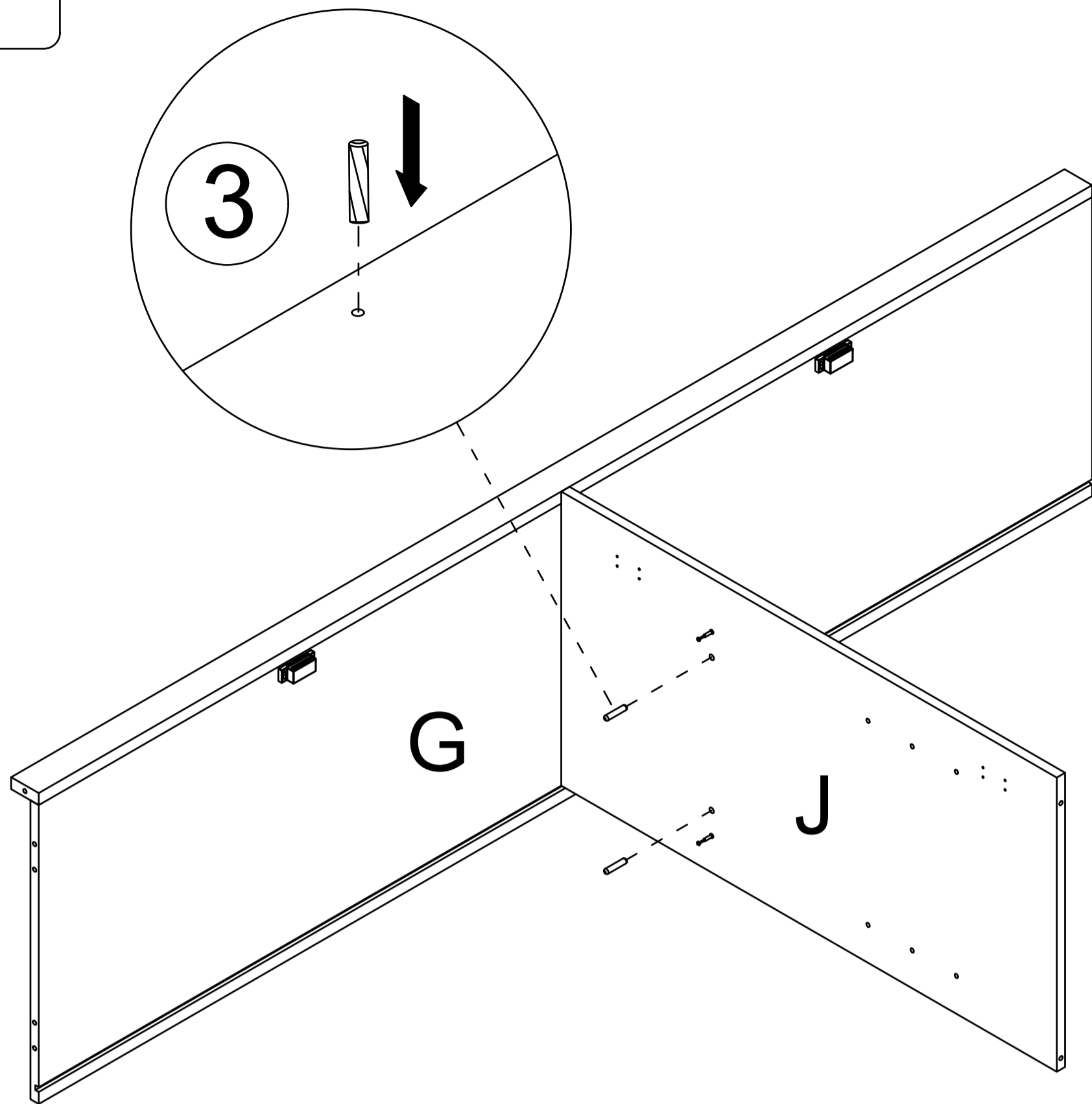
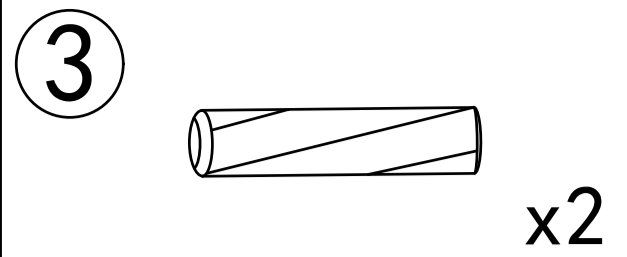
Step 6



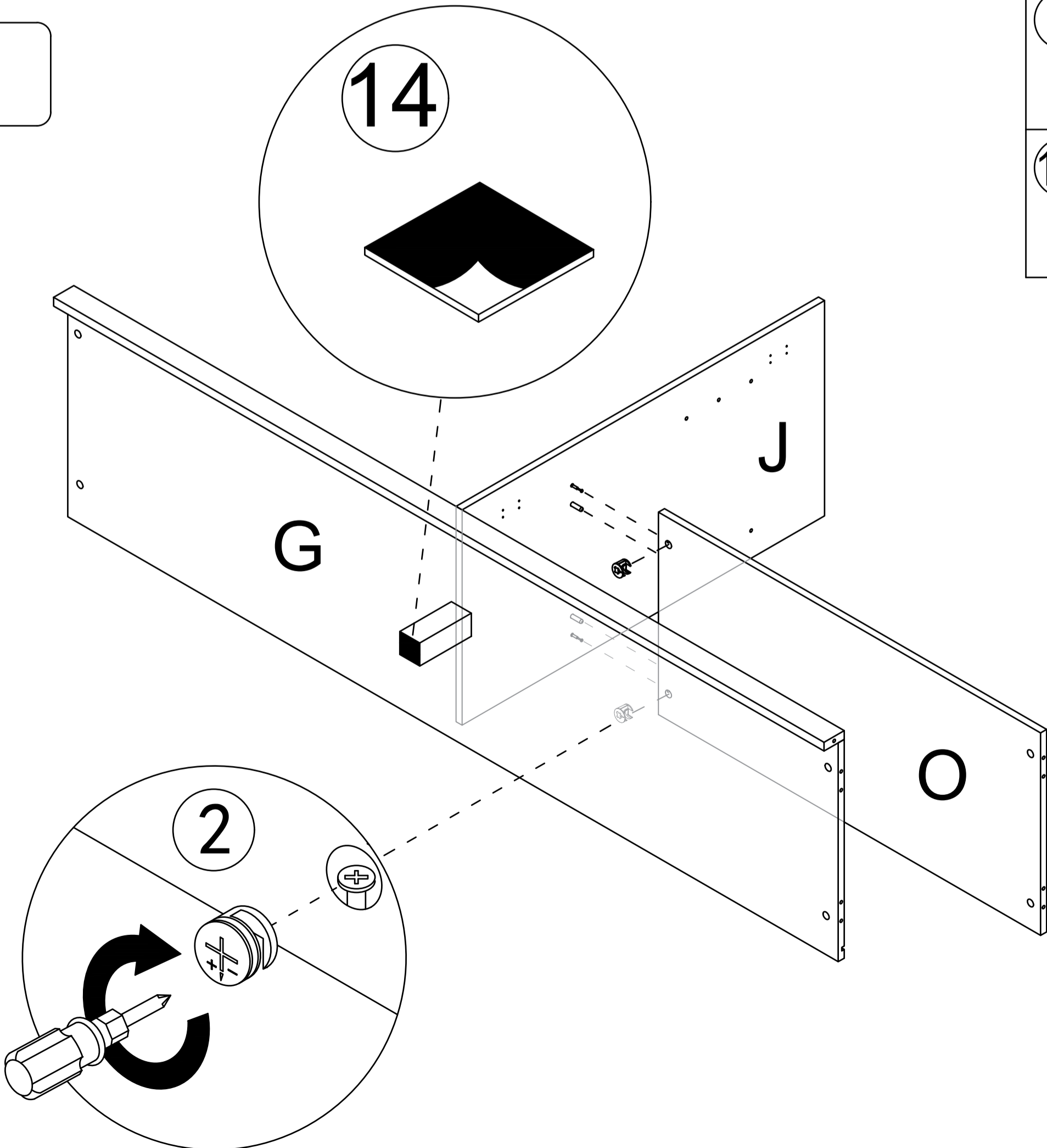
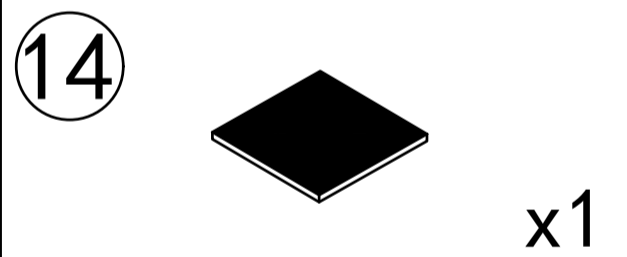
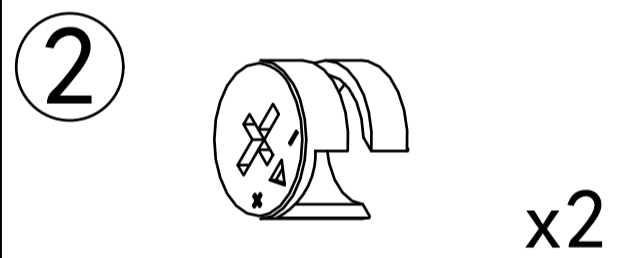
Step 7



Step 8



Step 9

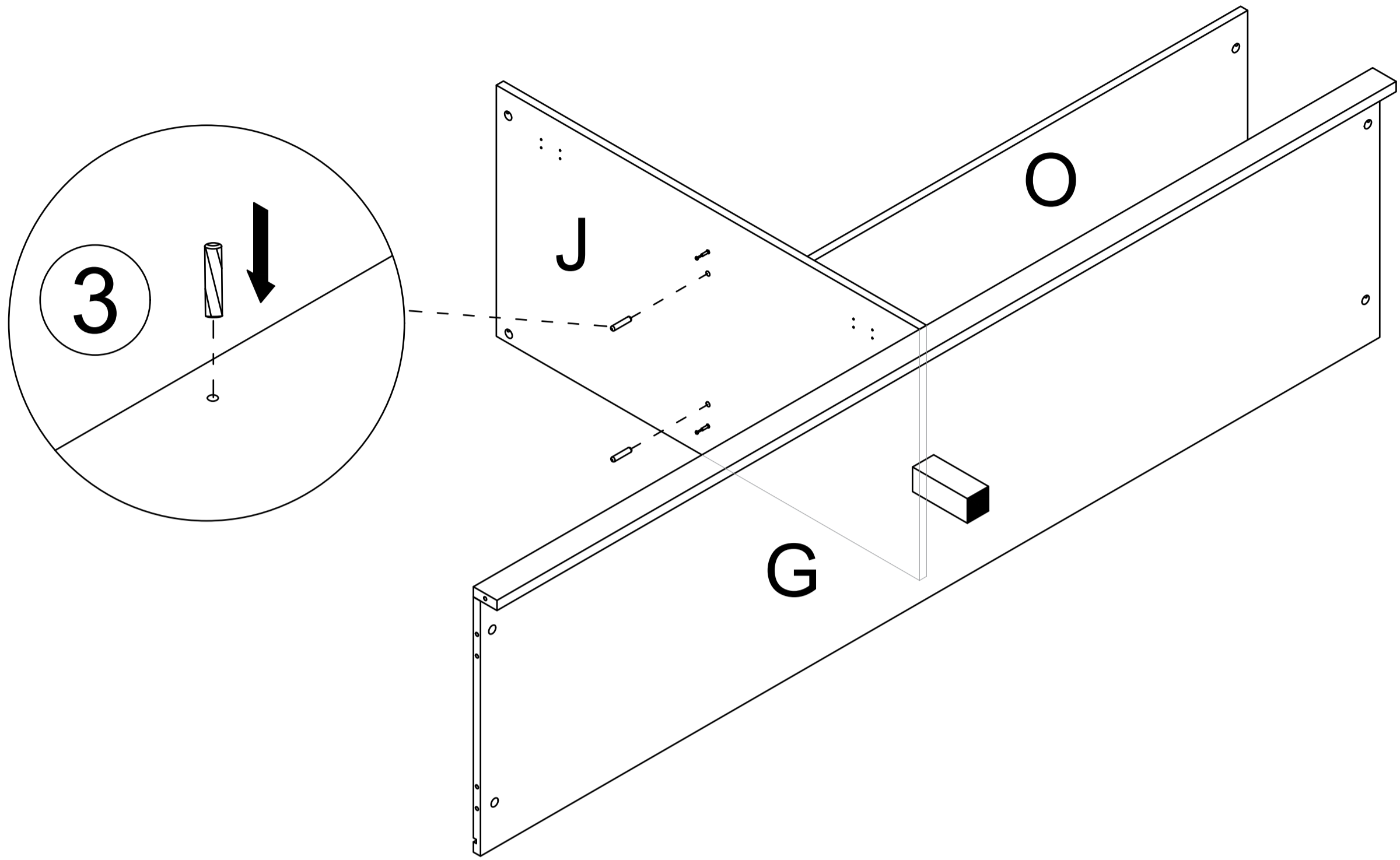


Step 10

3

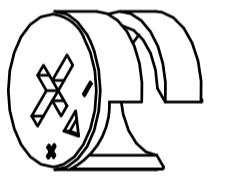


x2

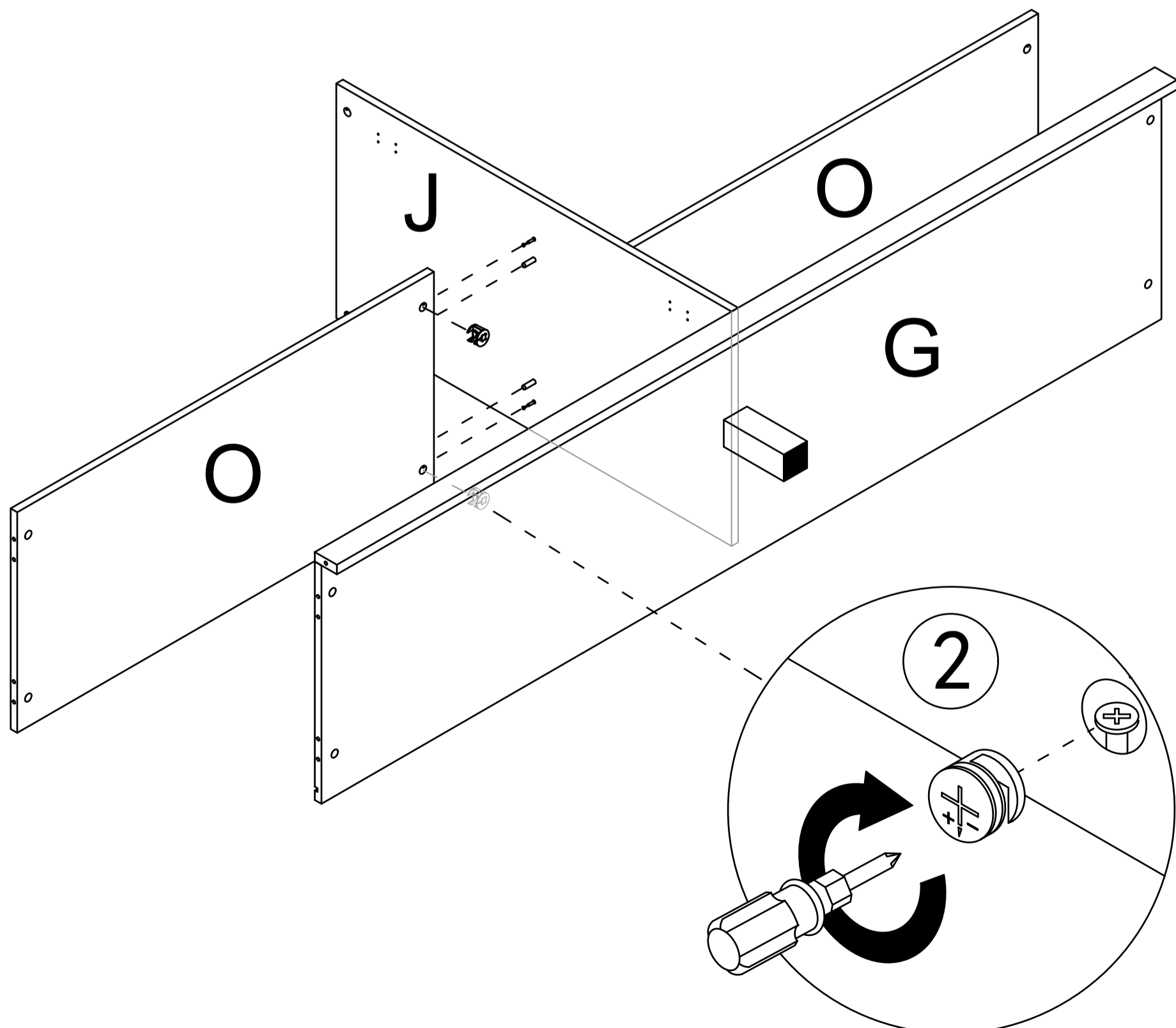


Step 11

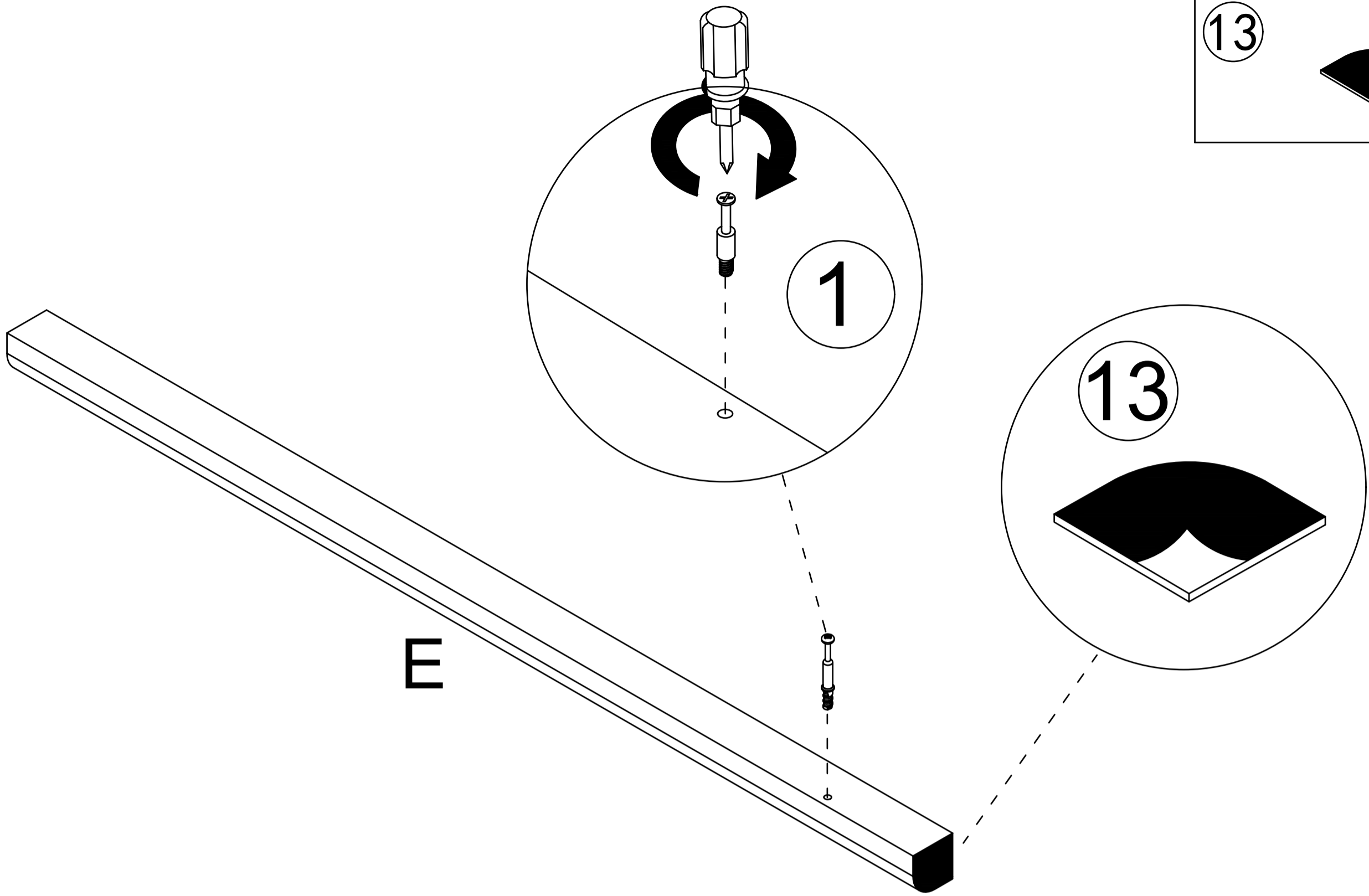
2



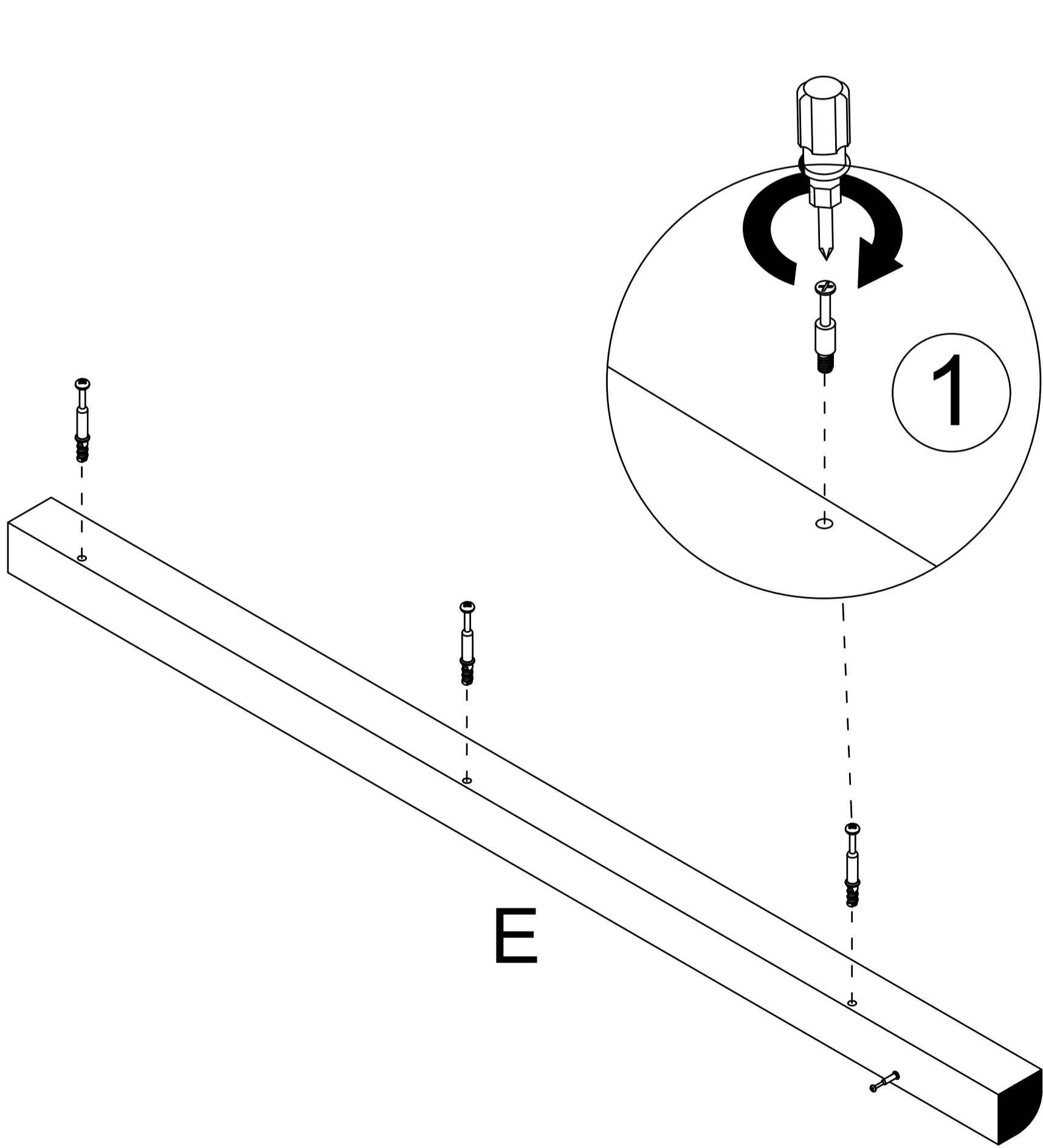
x2



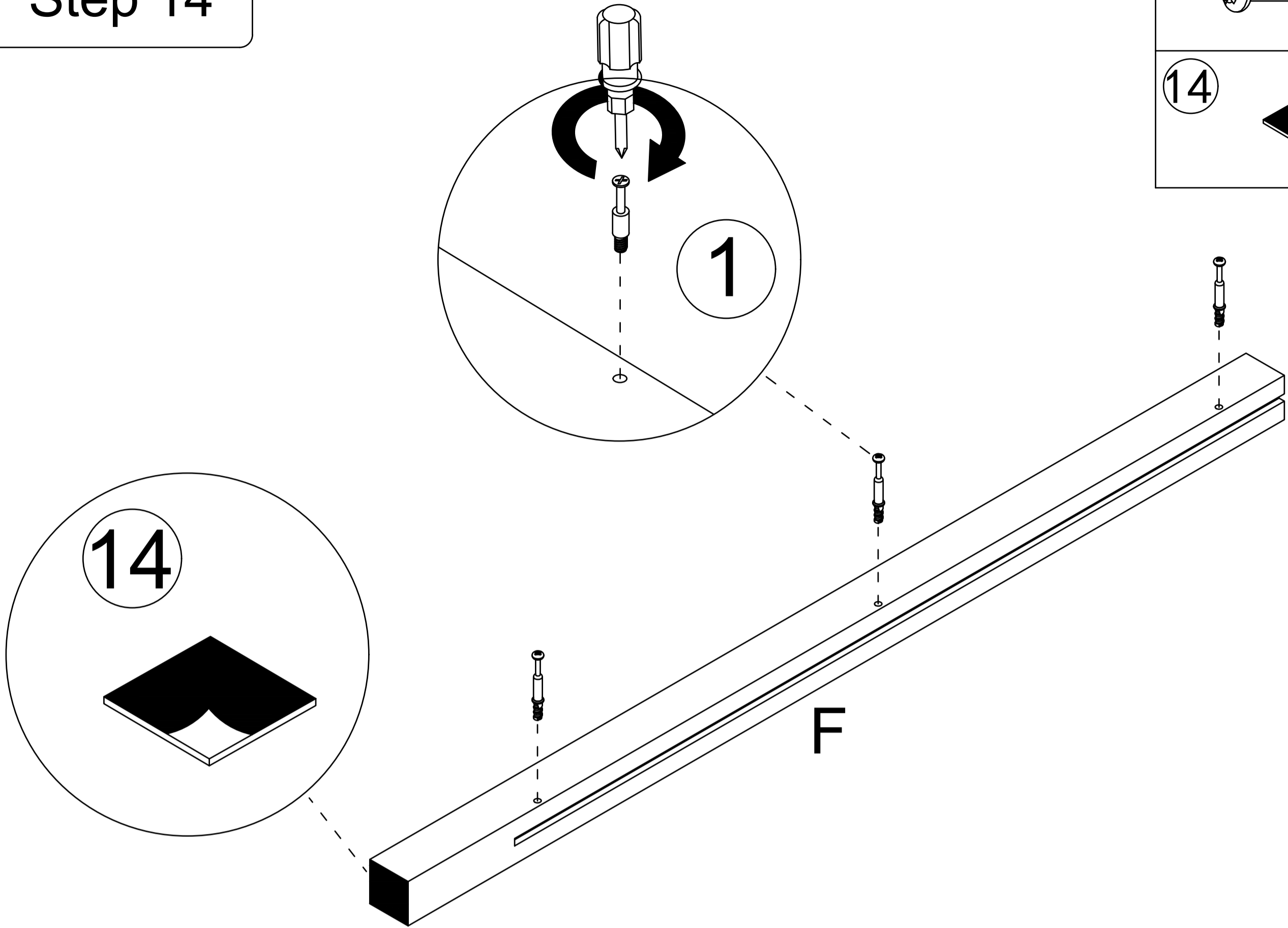
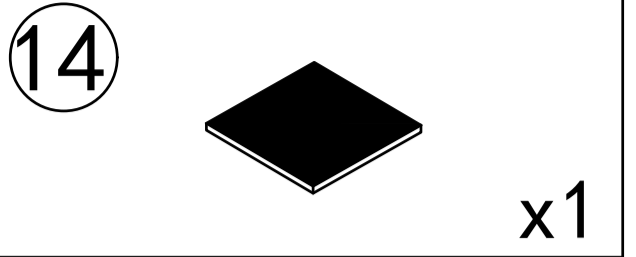
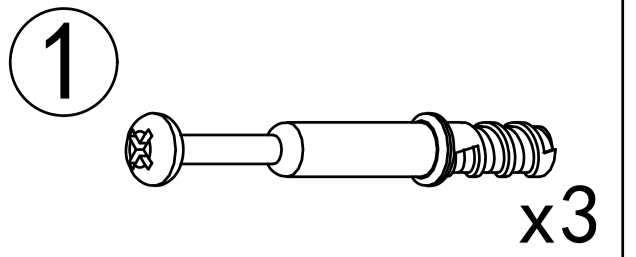
Step 12



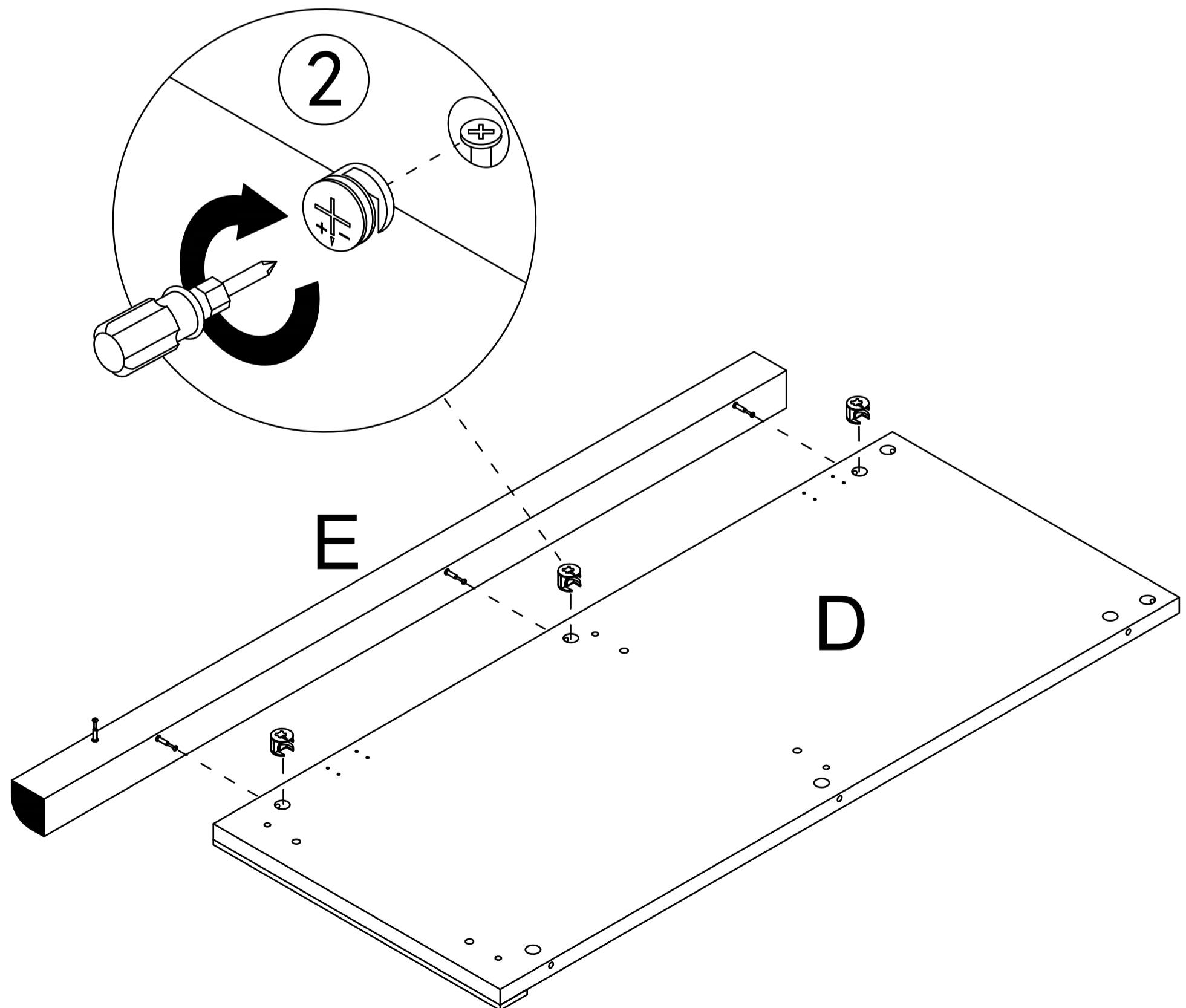
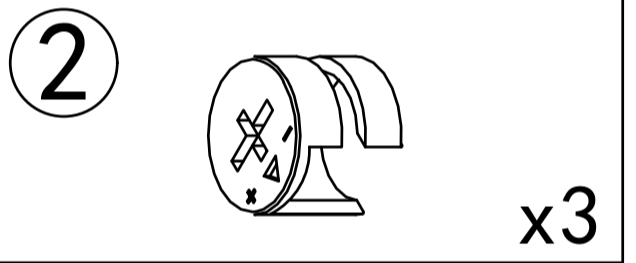
Step 13



Step 14

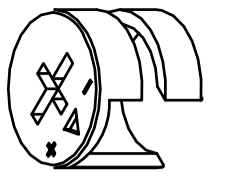


Step 15

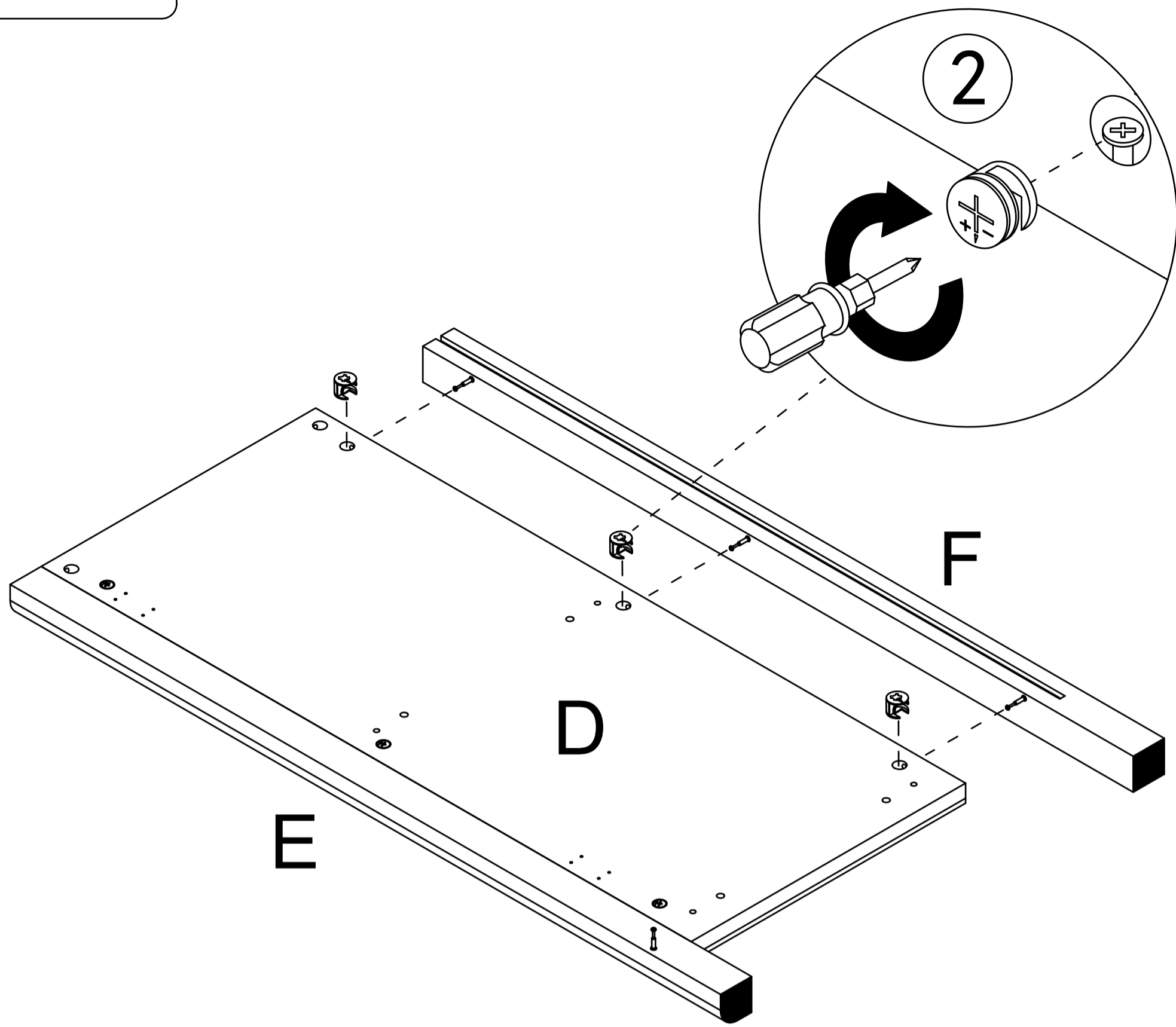


# Step 16

2

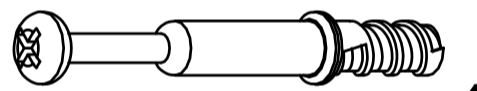


x3



# Step 17

1

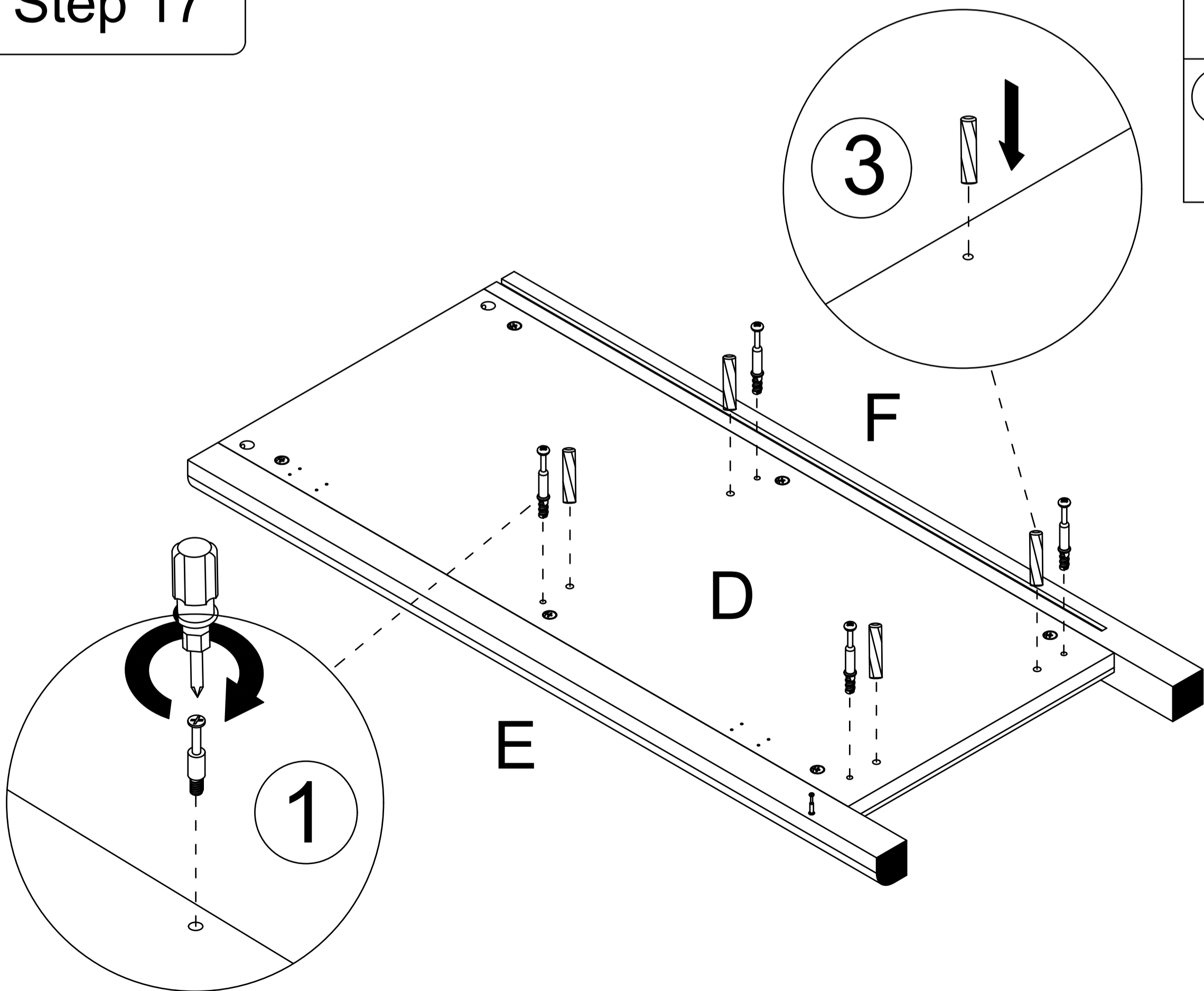


x4

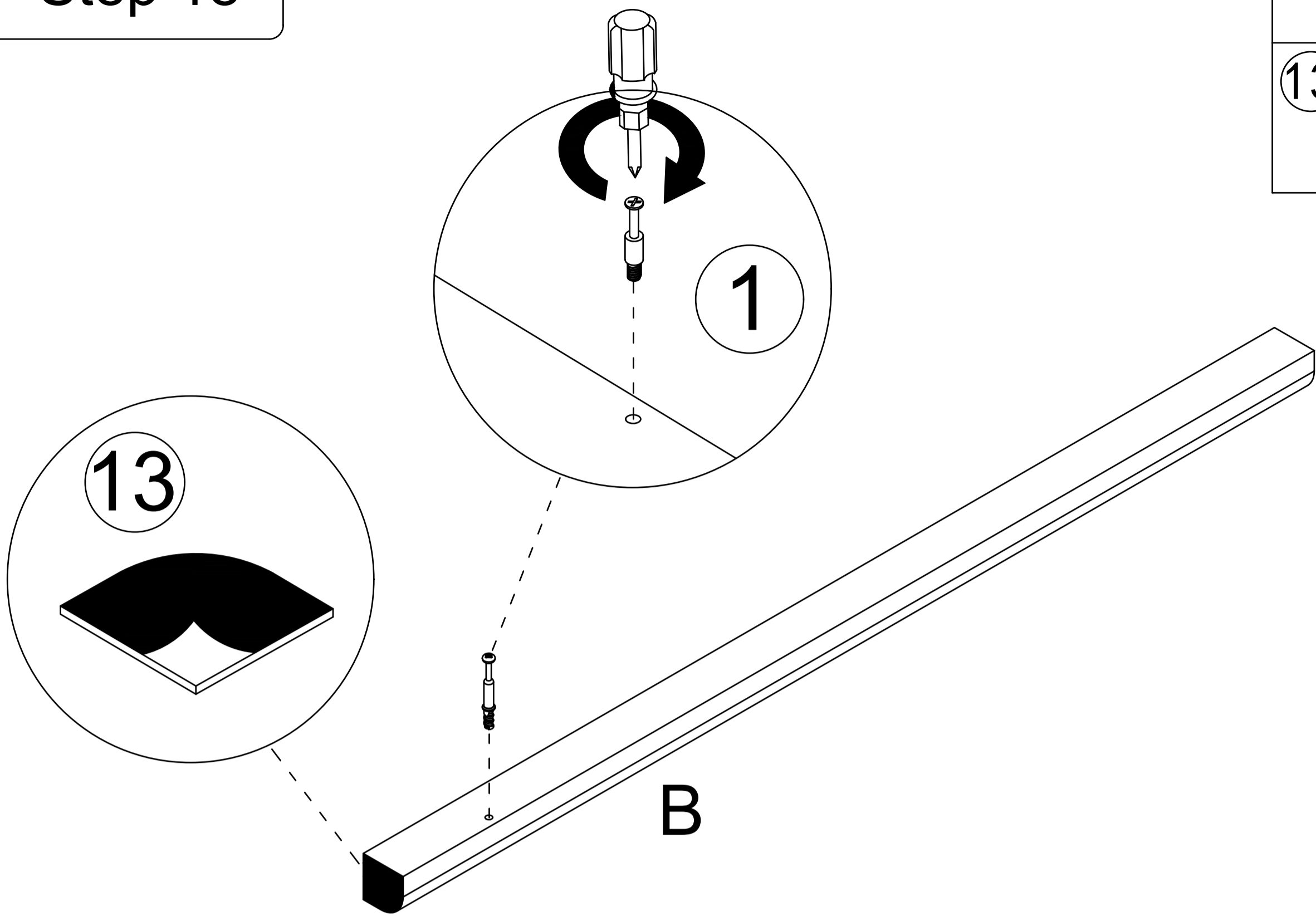
3



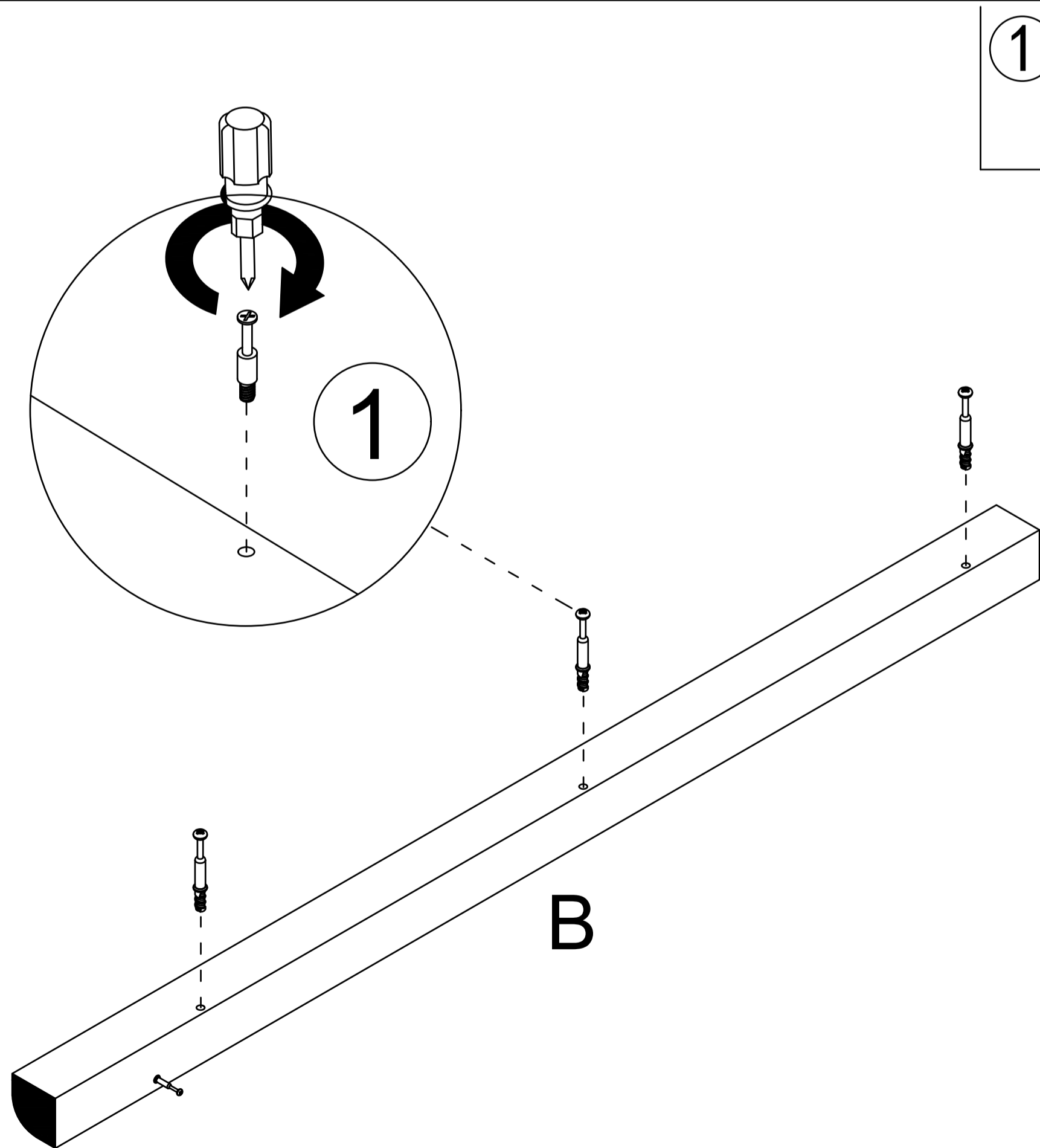
x4



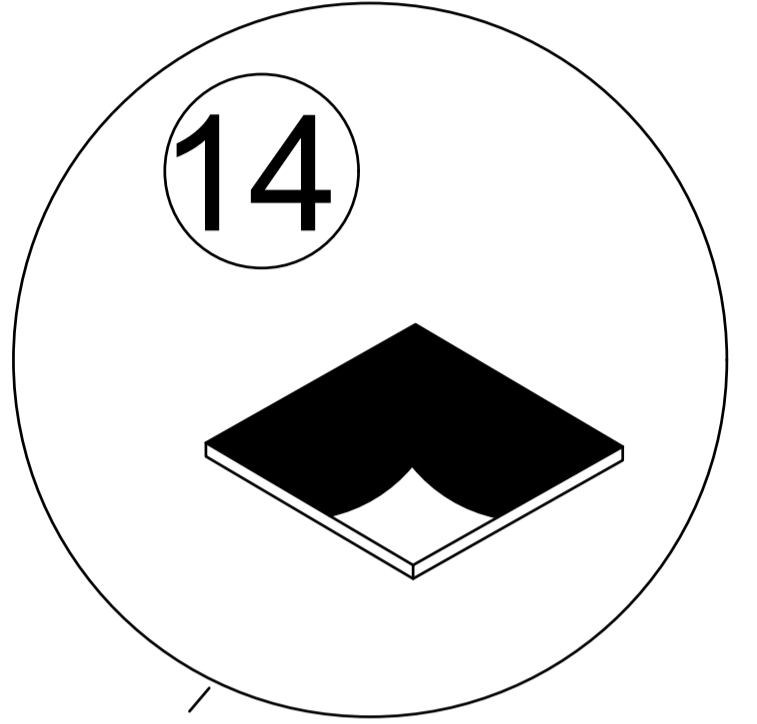
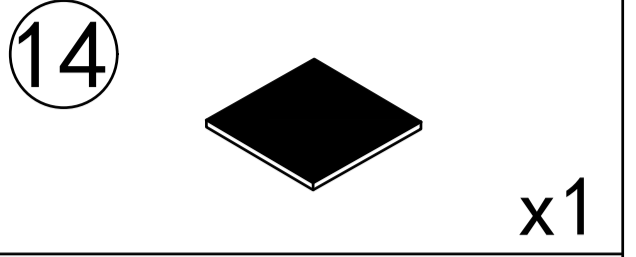
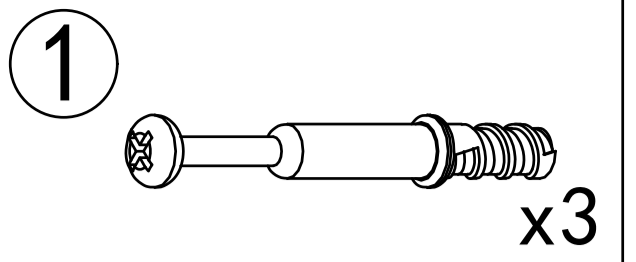
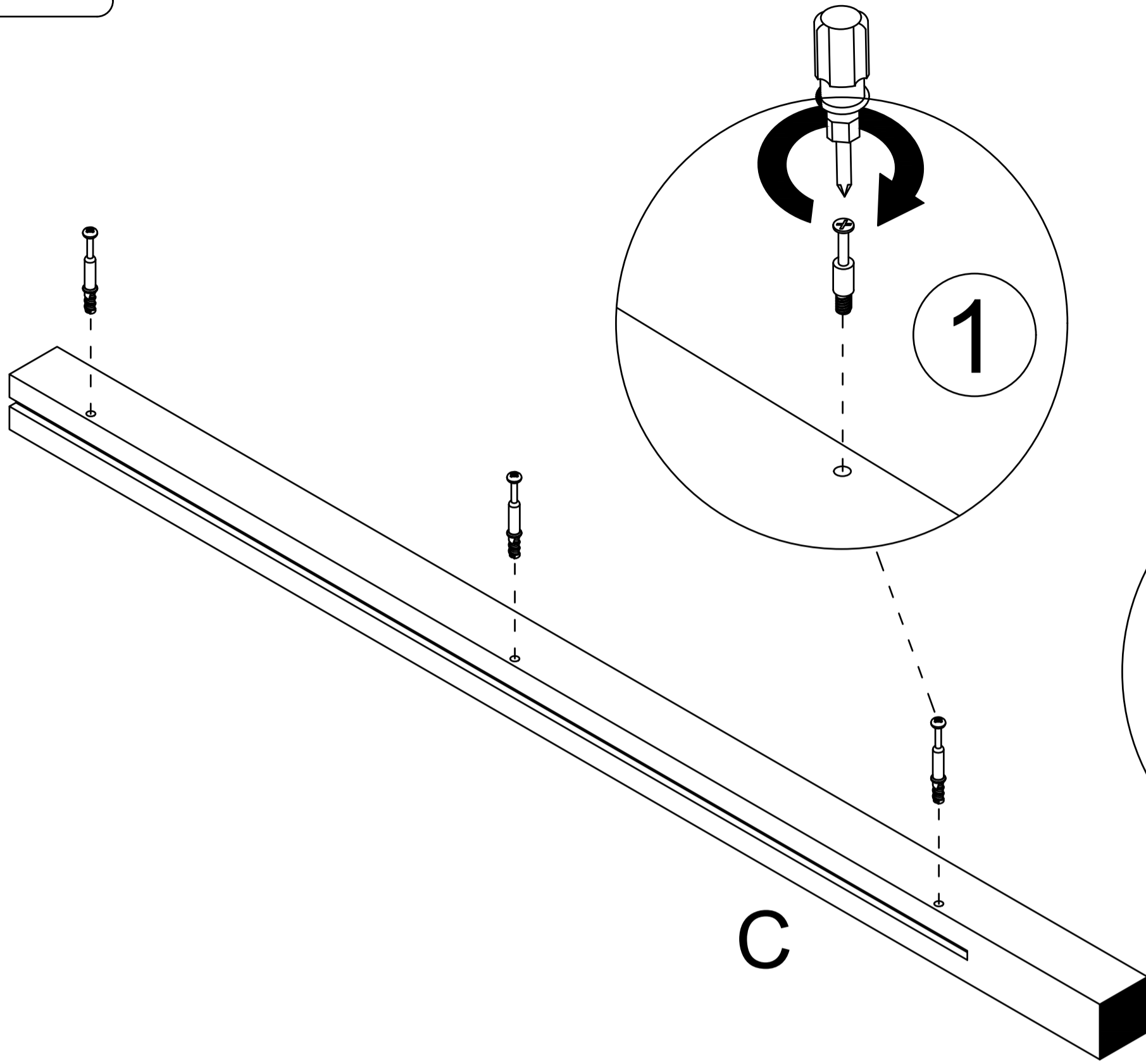
Step 18



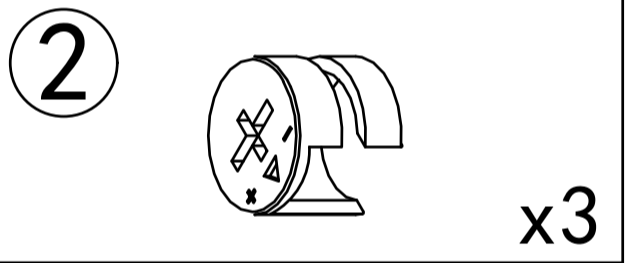
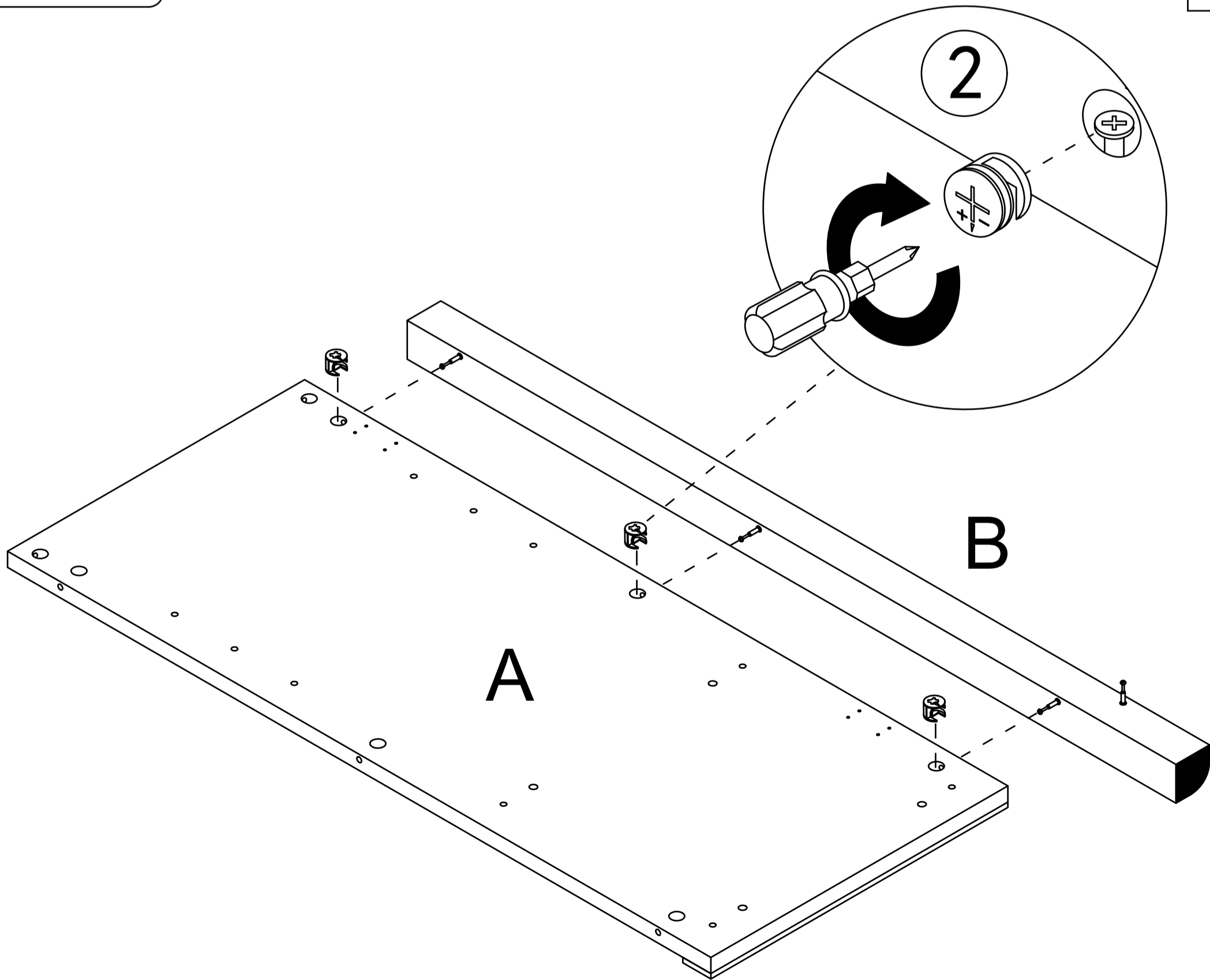
Step 19



Step 20

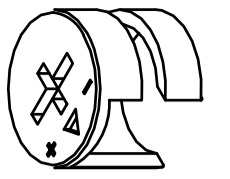


Step 21

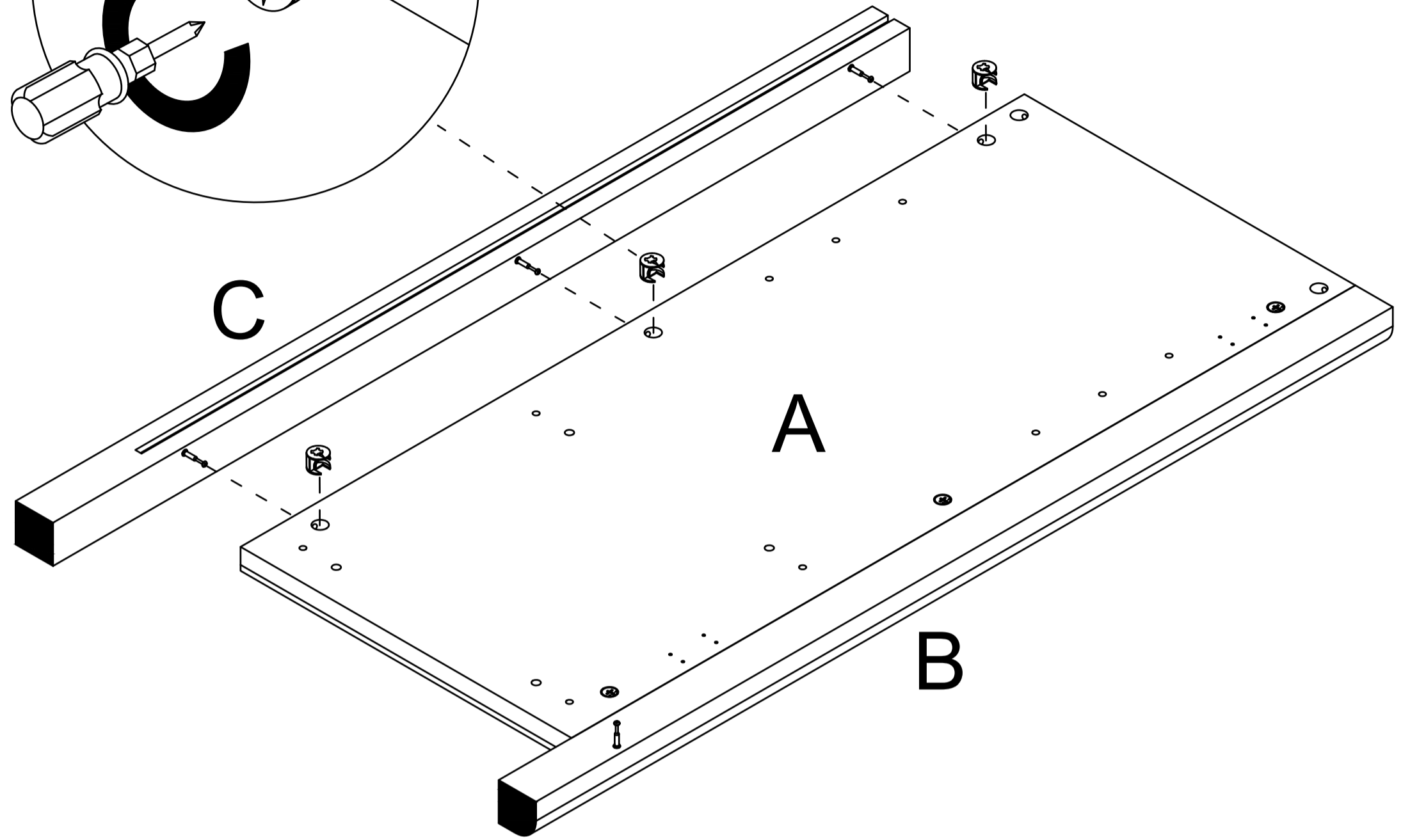
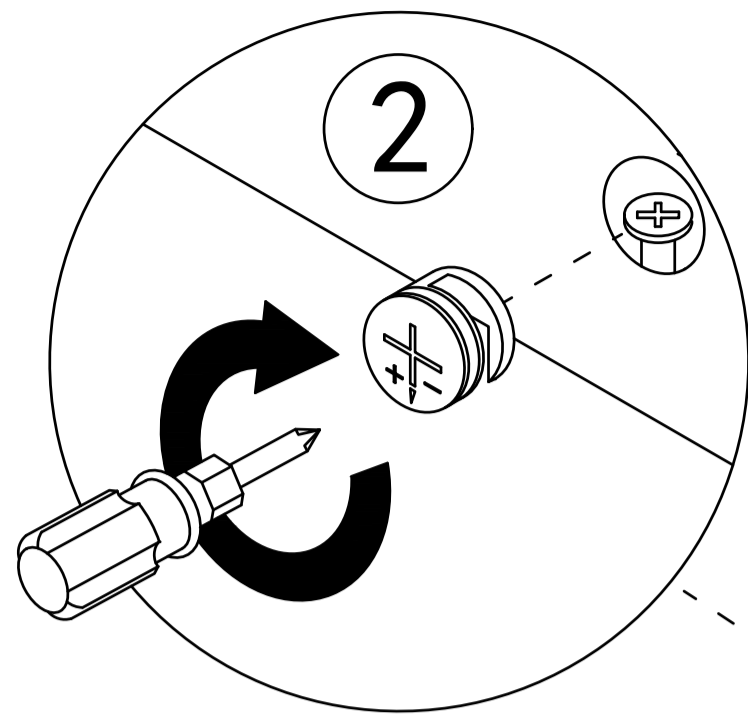


Step 22

2

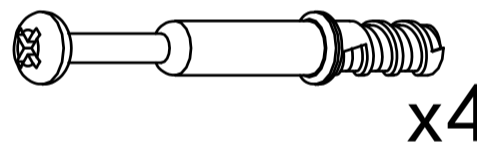


x3



Step 23

1

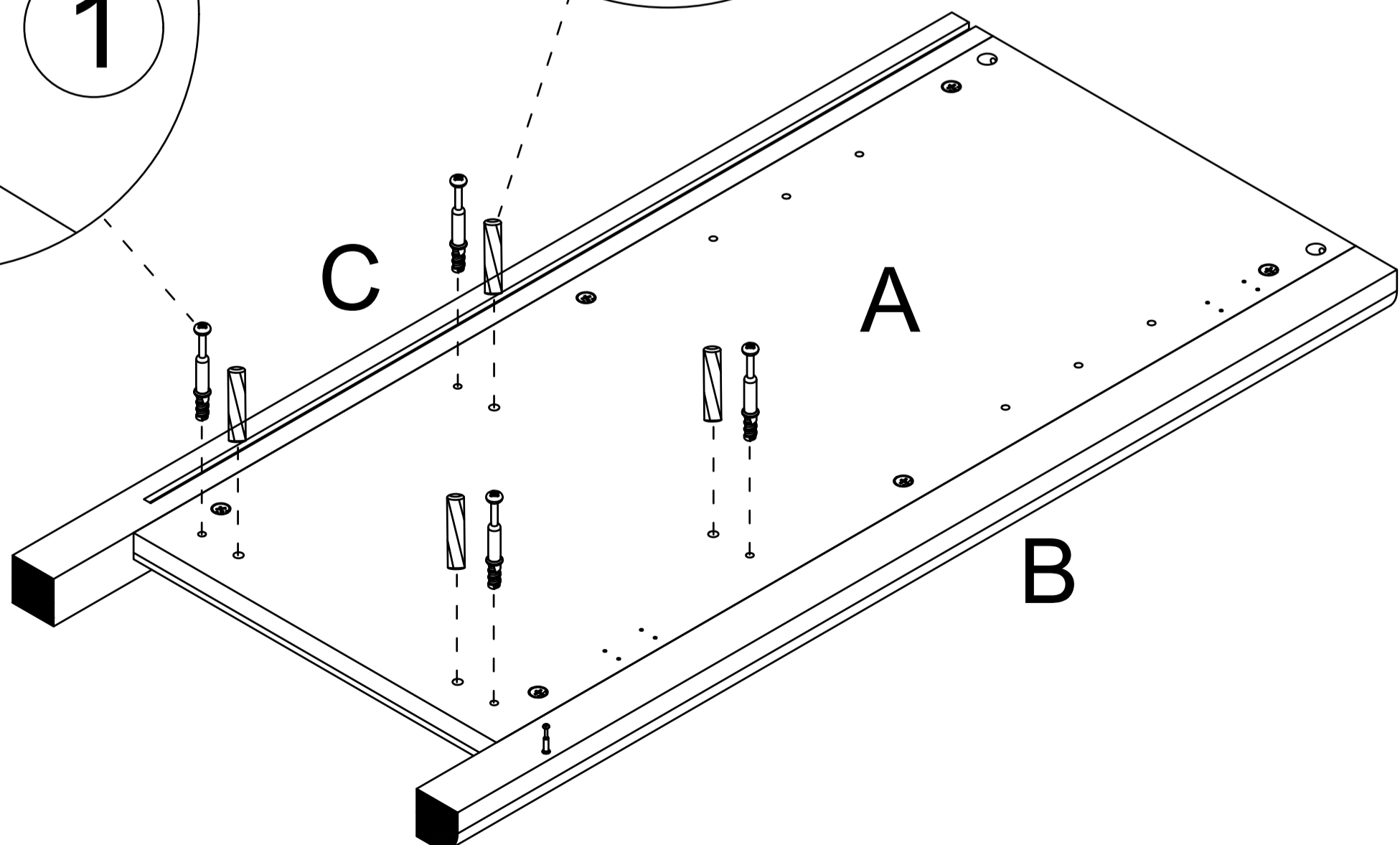
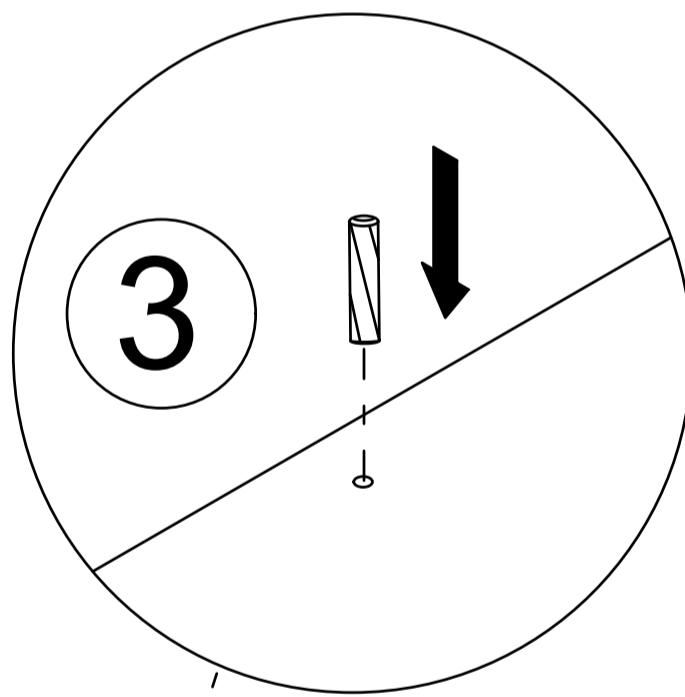
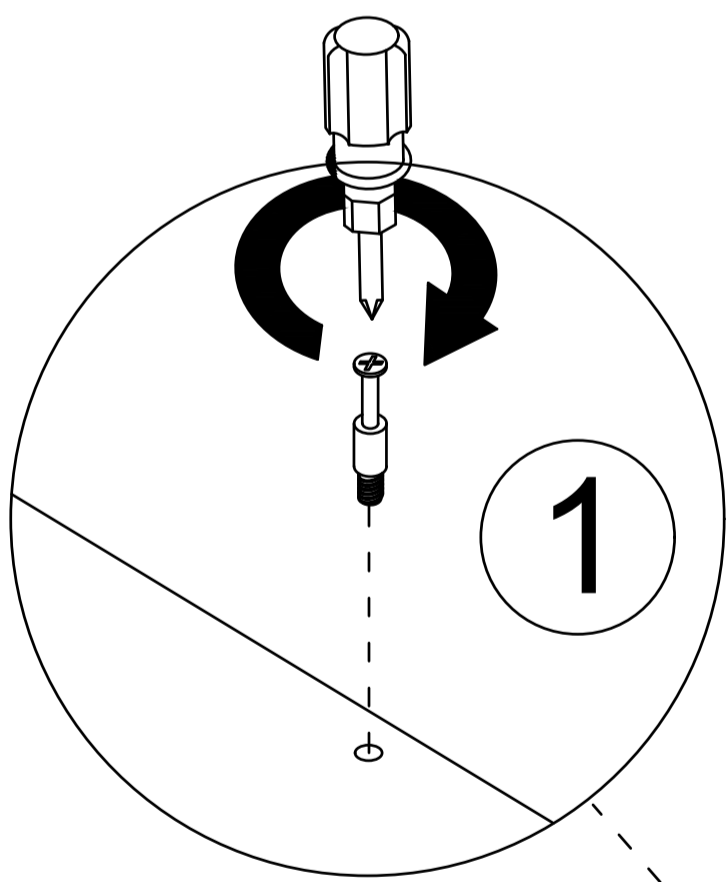


x4

3

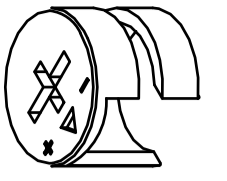


x4

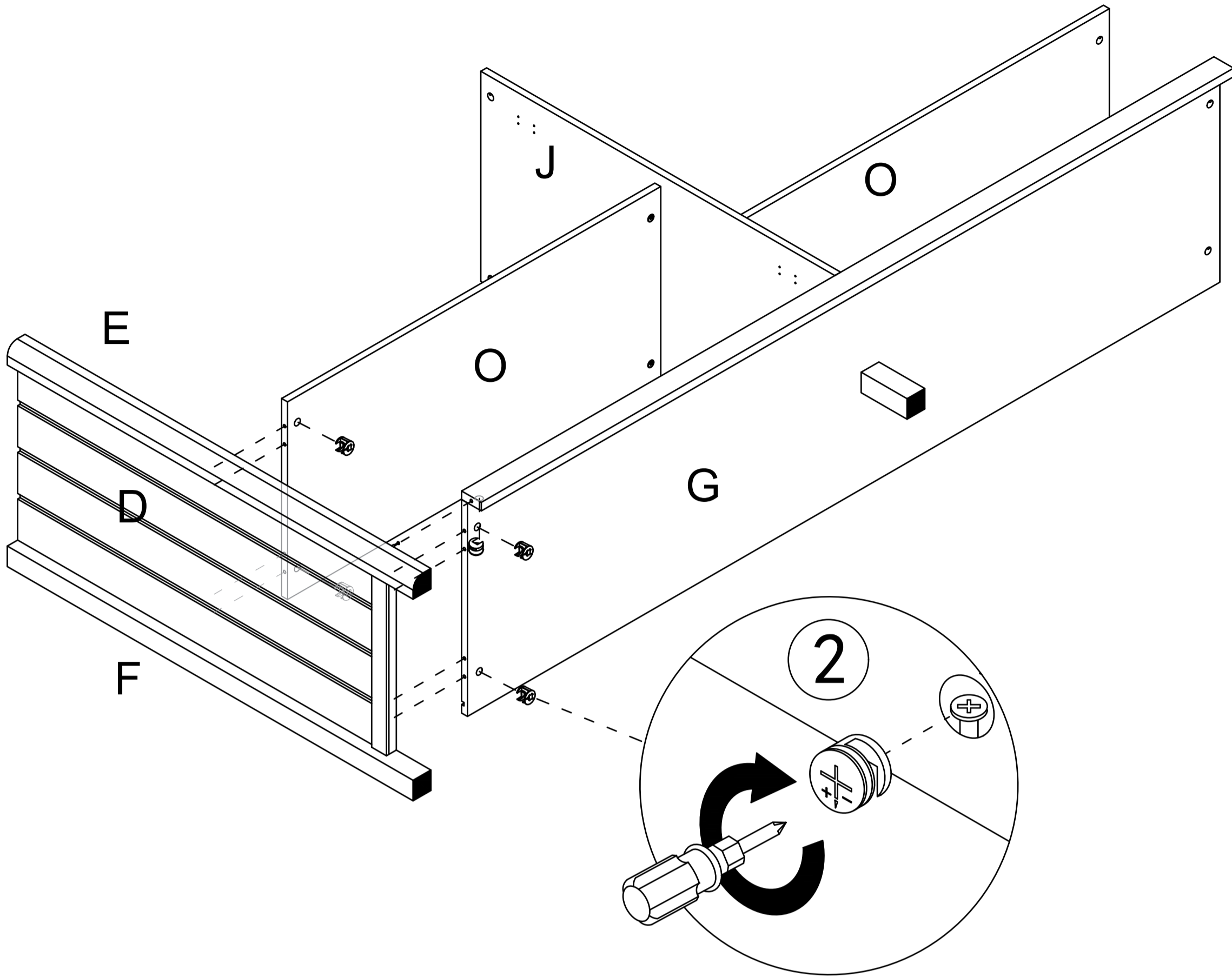


# Step 24

2



x5

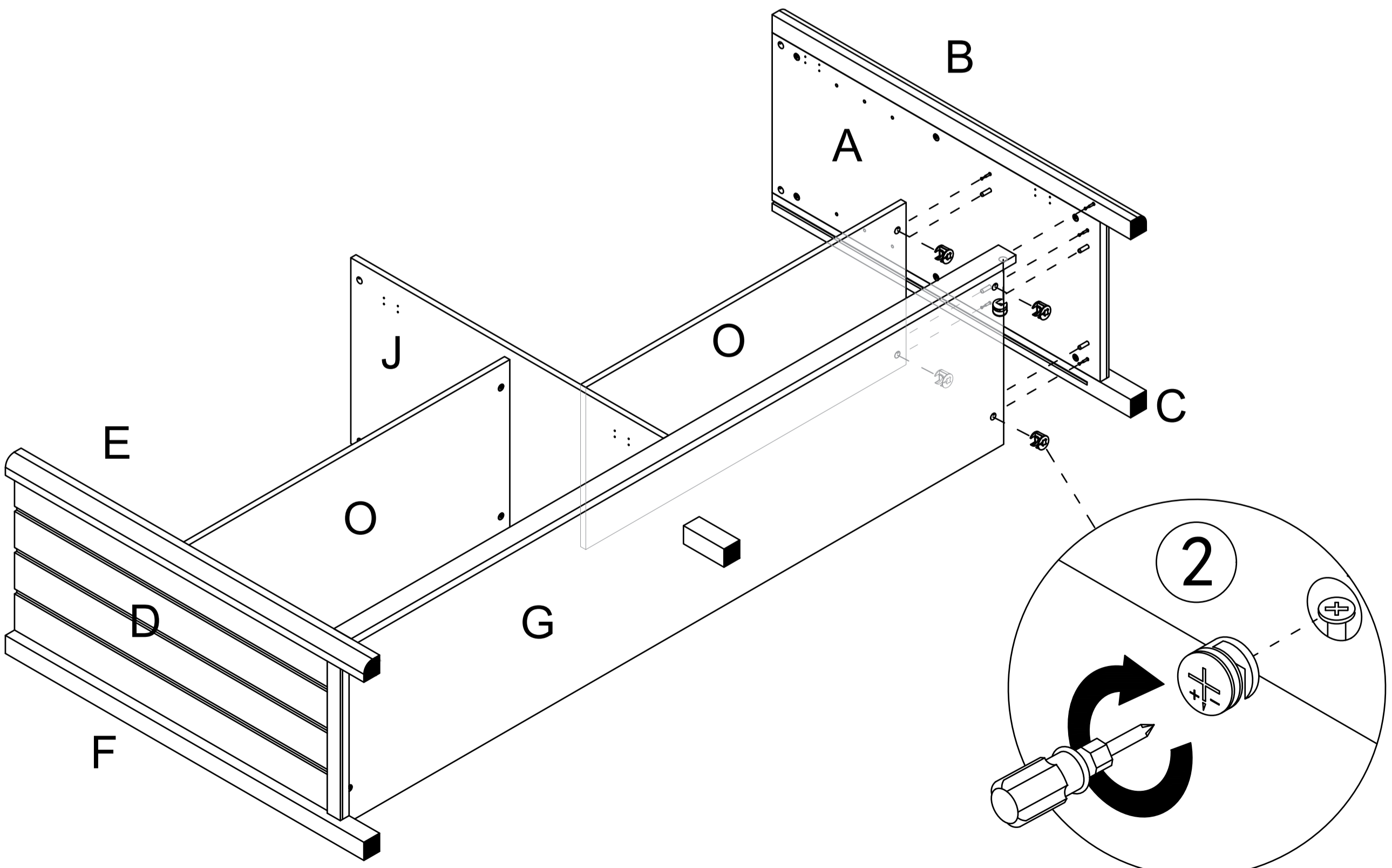


# Step 25

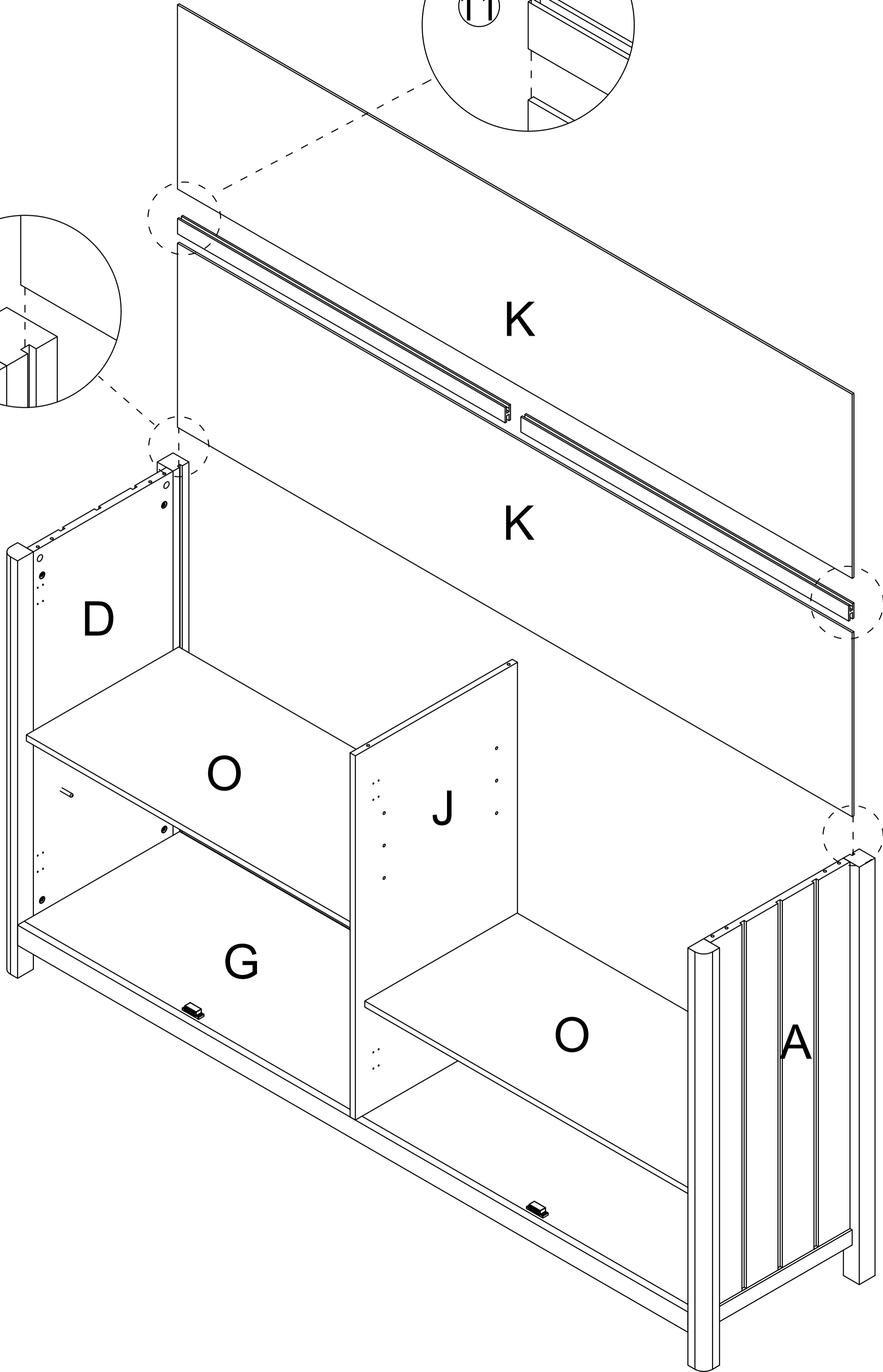
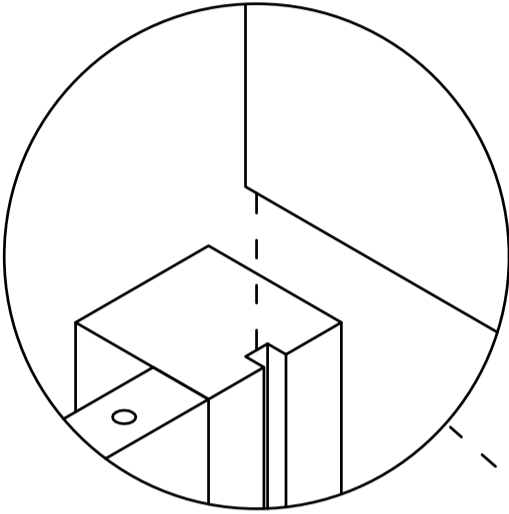
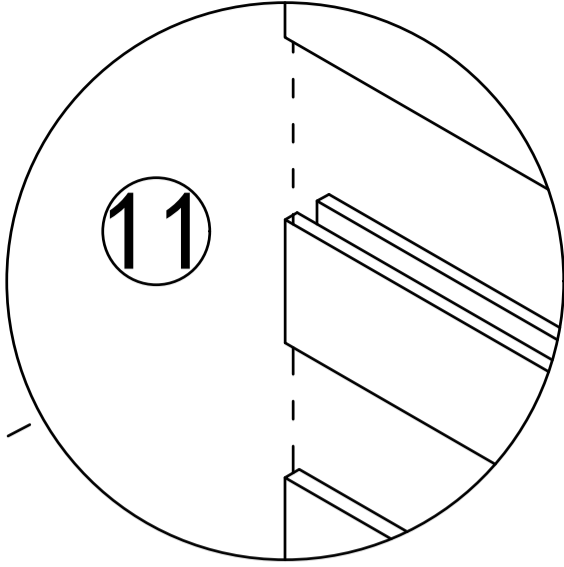
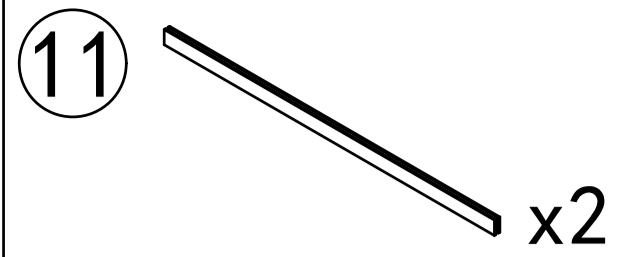
2



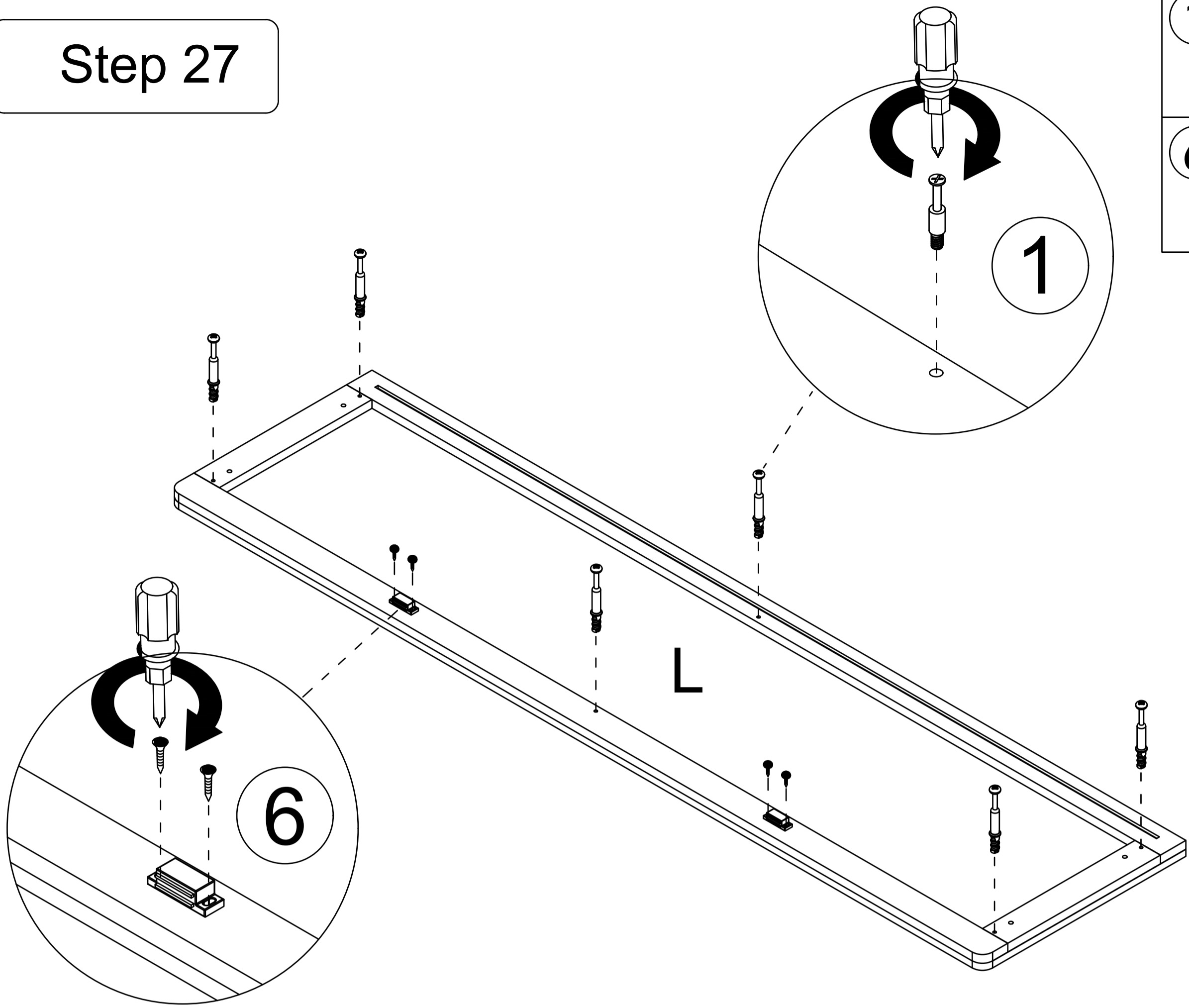
x5

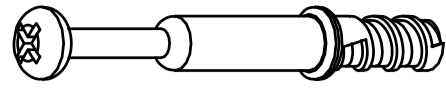
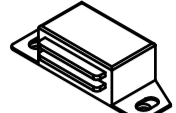



Step 26

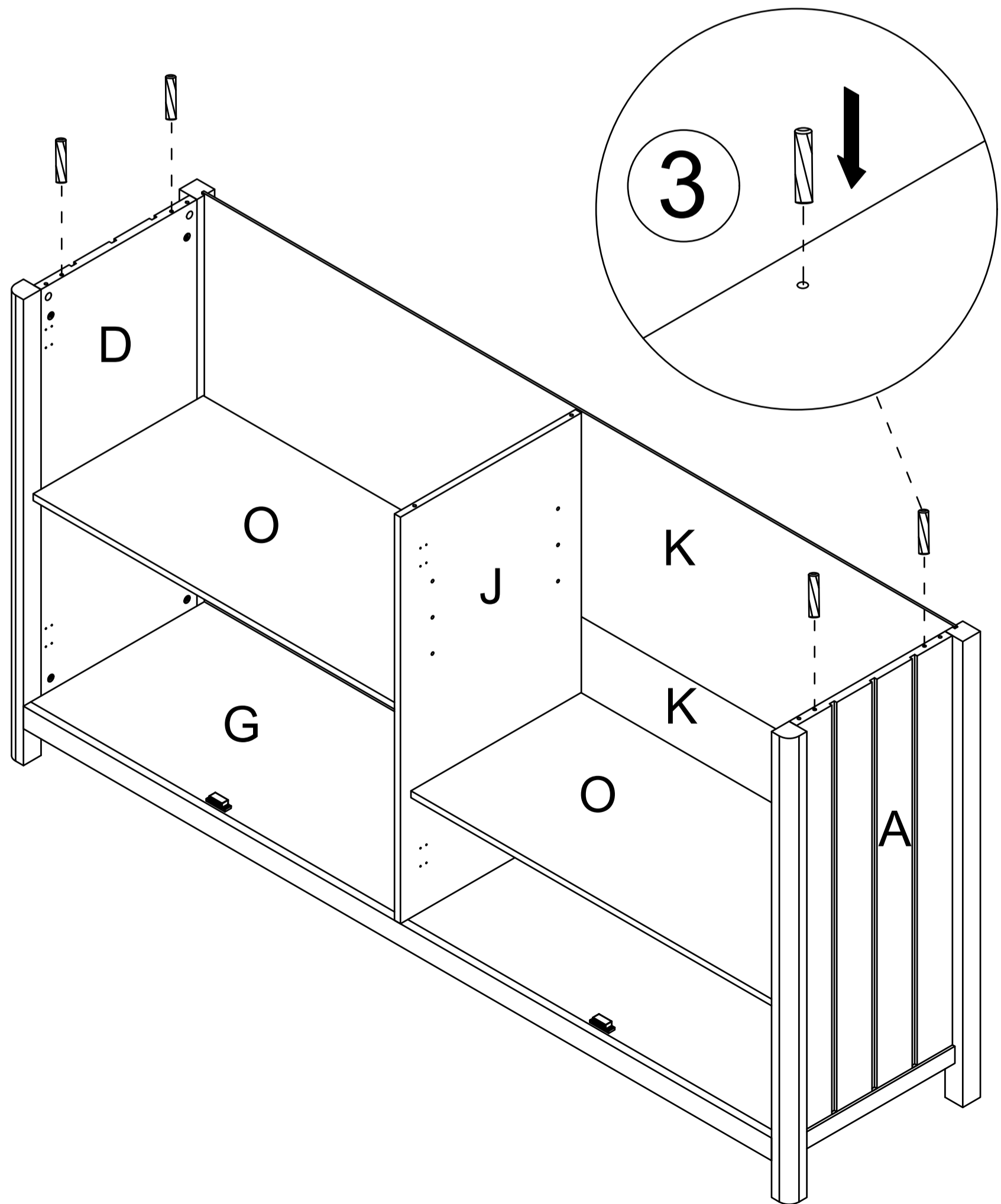



# Step 27



- 1  x6
- 6  2pcs  4pcs

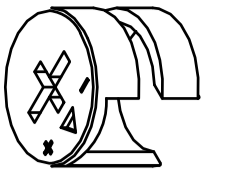
# Step 28



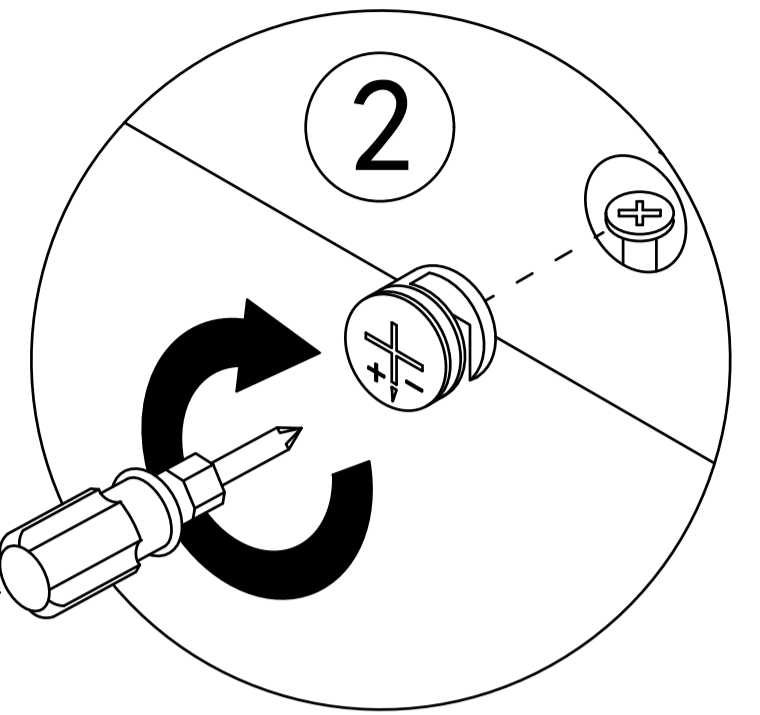
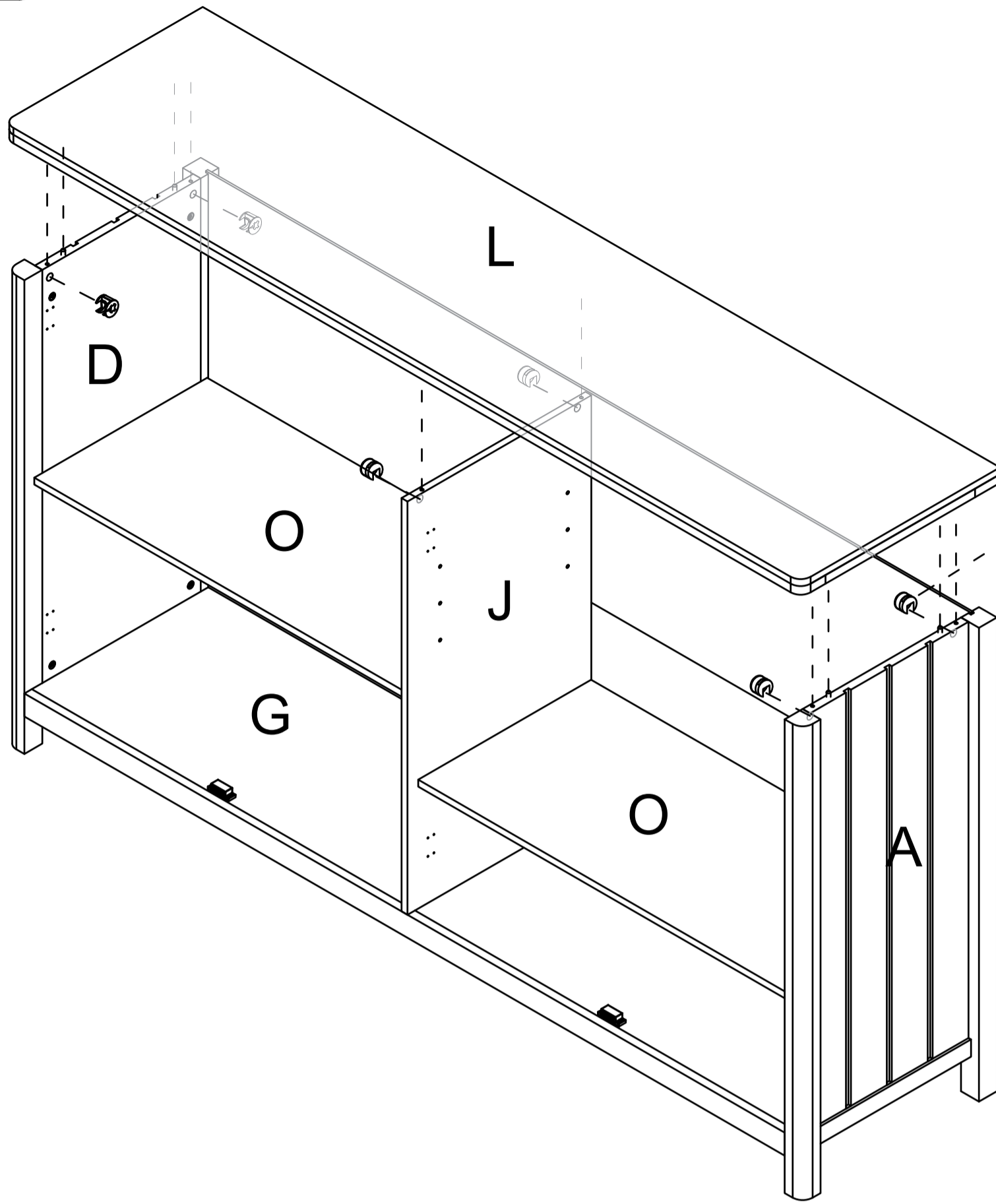
- 3  x4

# Step 29

2

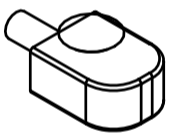


x6

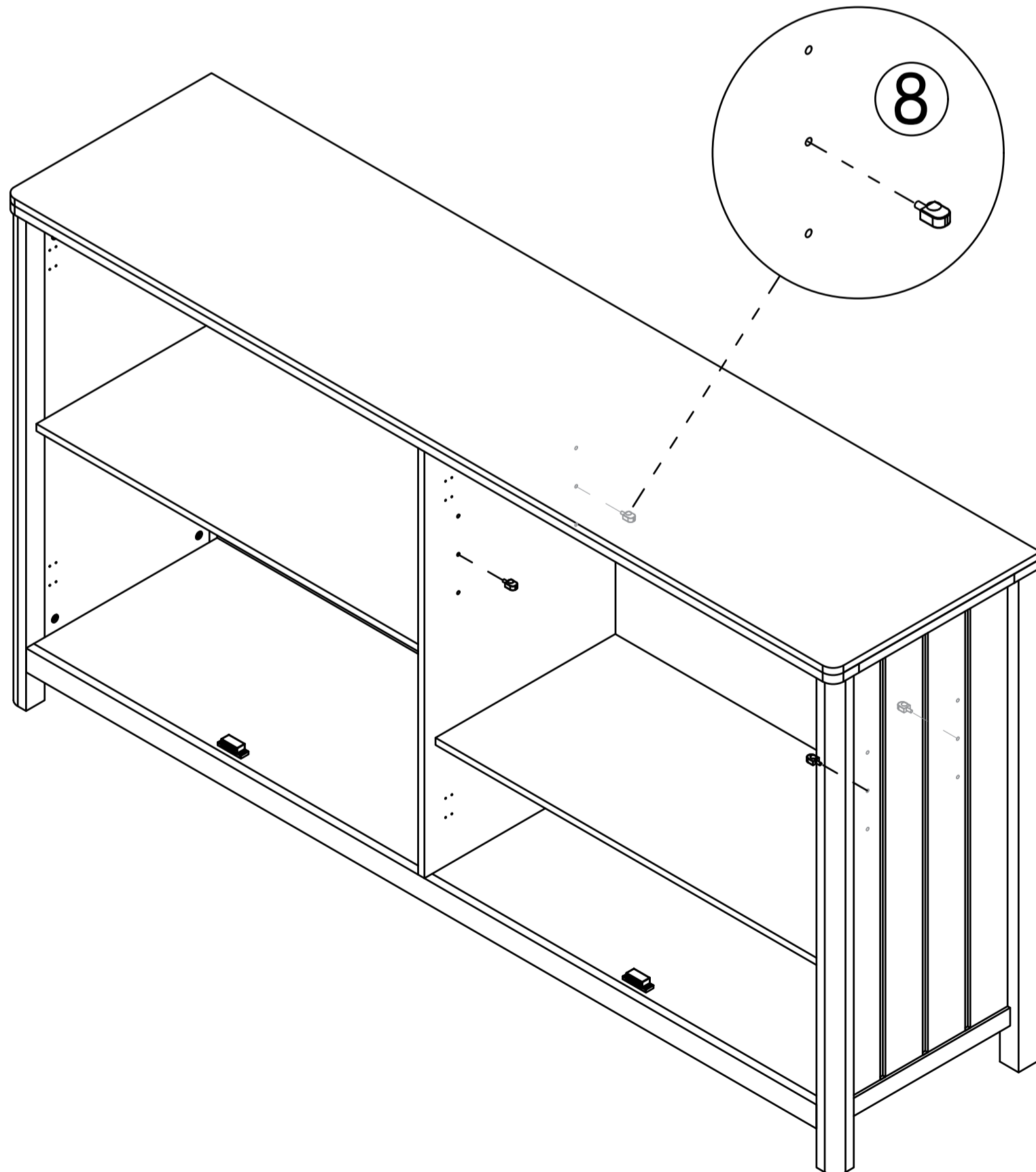


# Step 30

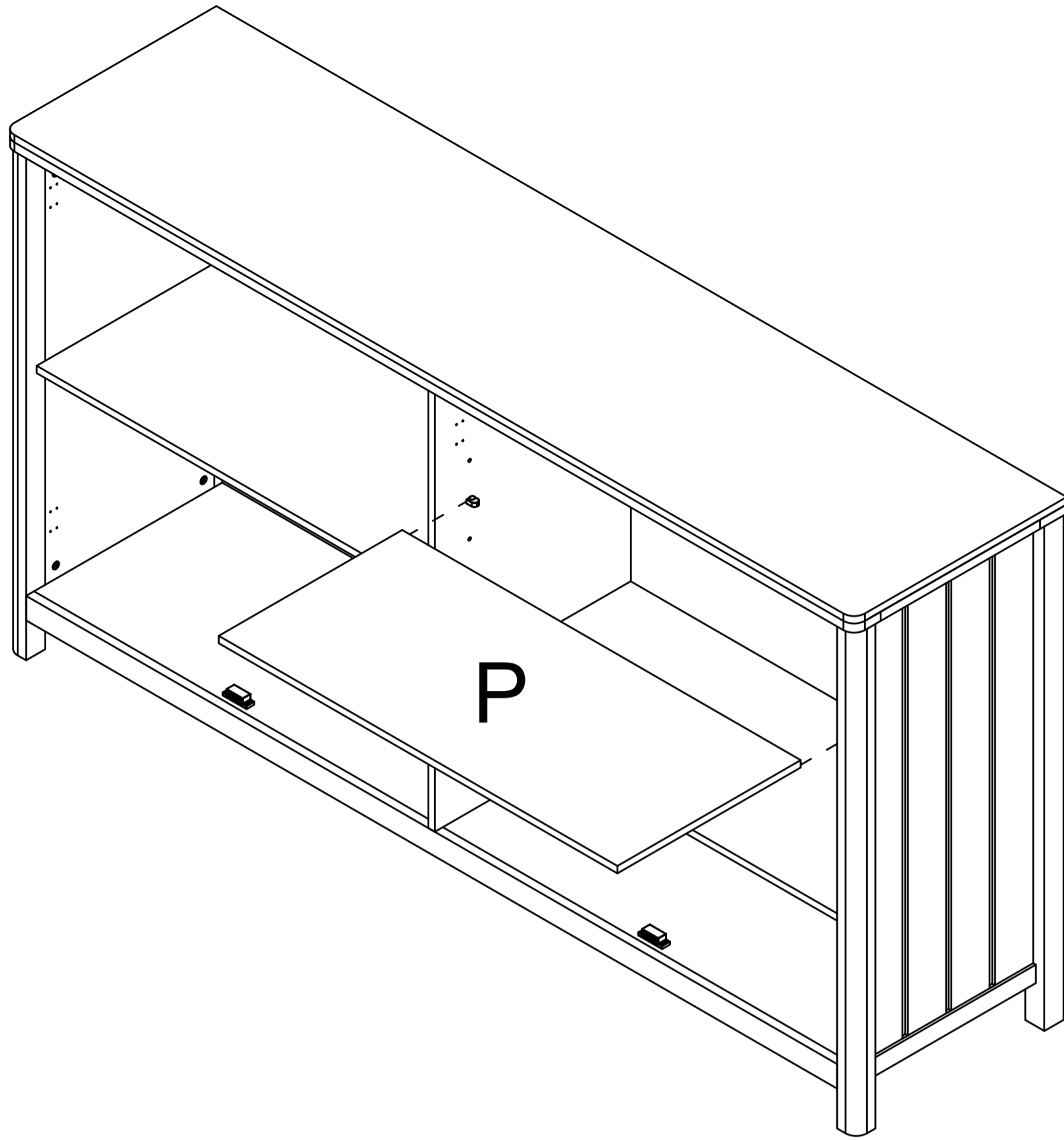
8



x4

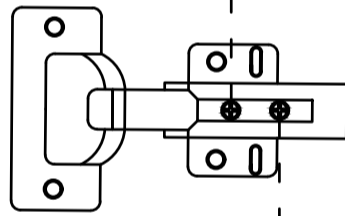


# Step 31

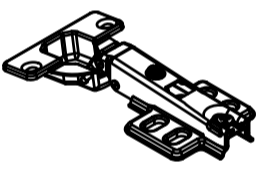

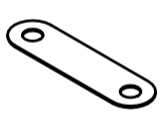



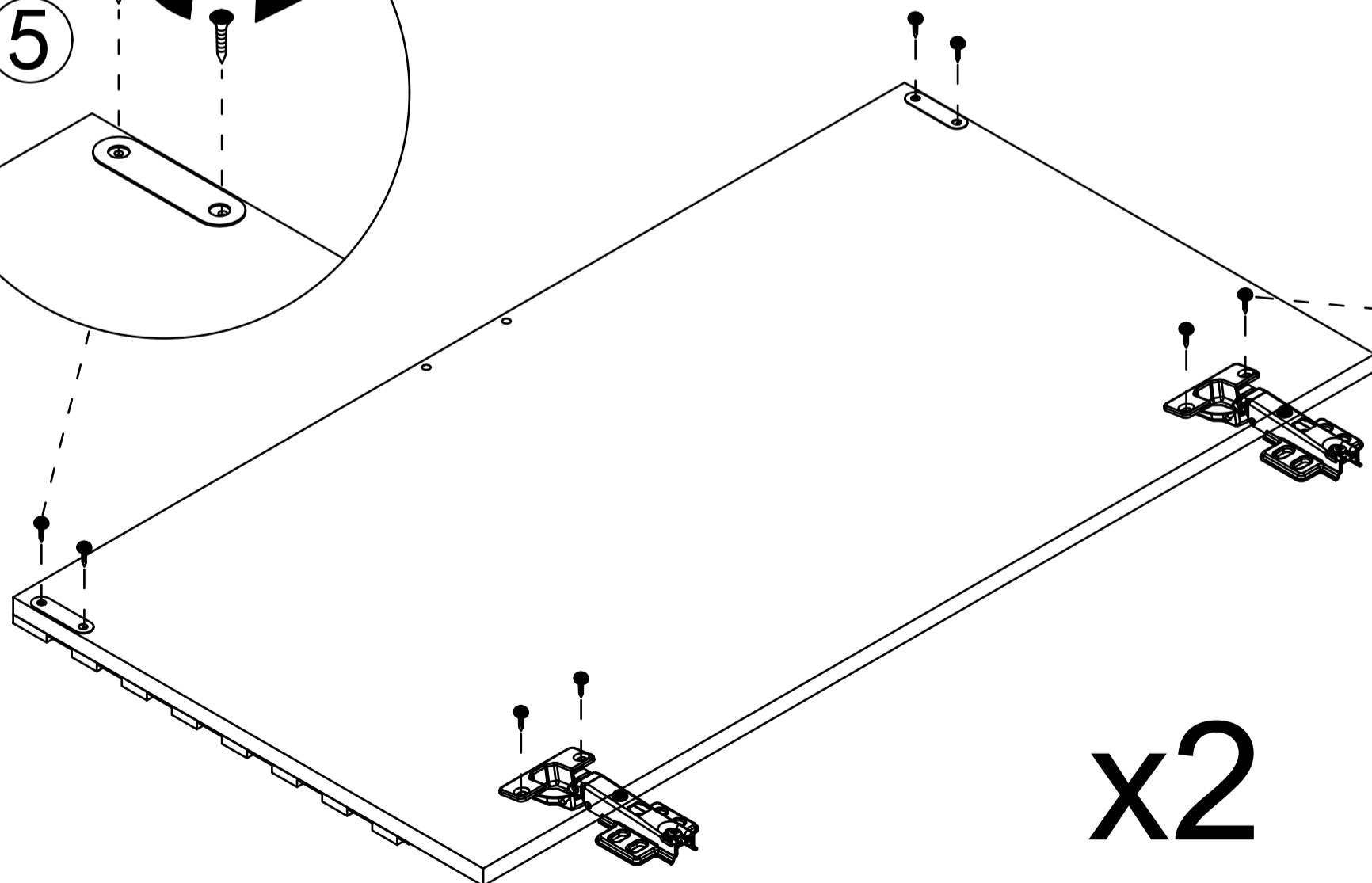
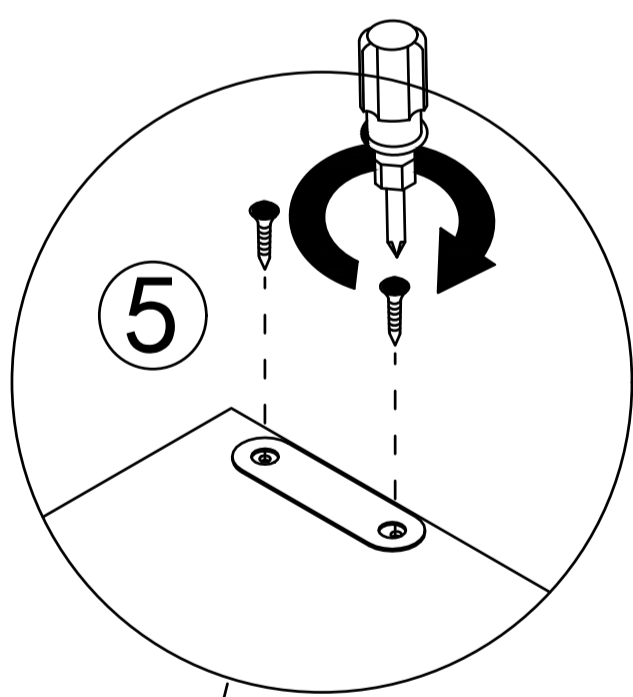
# Step 32

Turning this screw can effectively adjust the size of the door gap.

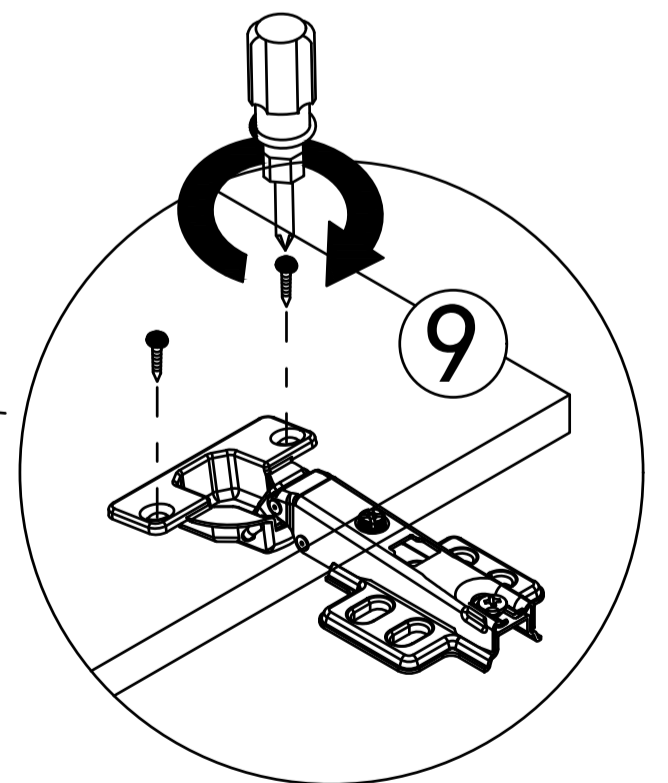


Turn this screw to adjust the doorpanel to be flat with the side panel.

- |   |   |   |
|---|---|---|
| 9 |  |  |
|   | x2  | x4  |
| 5 |  |  |
|   | 2pcs  | 4pcs  |



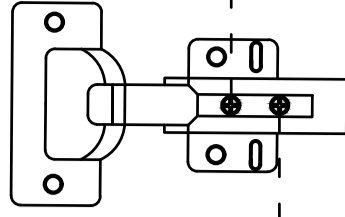
x2



Repeat this step twice.

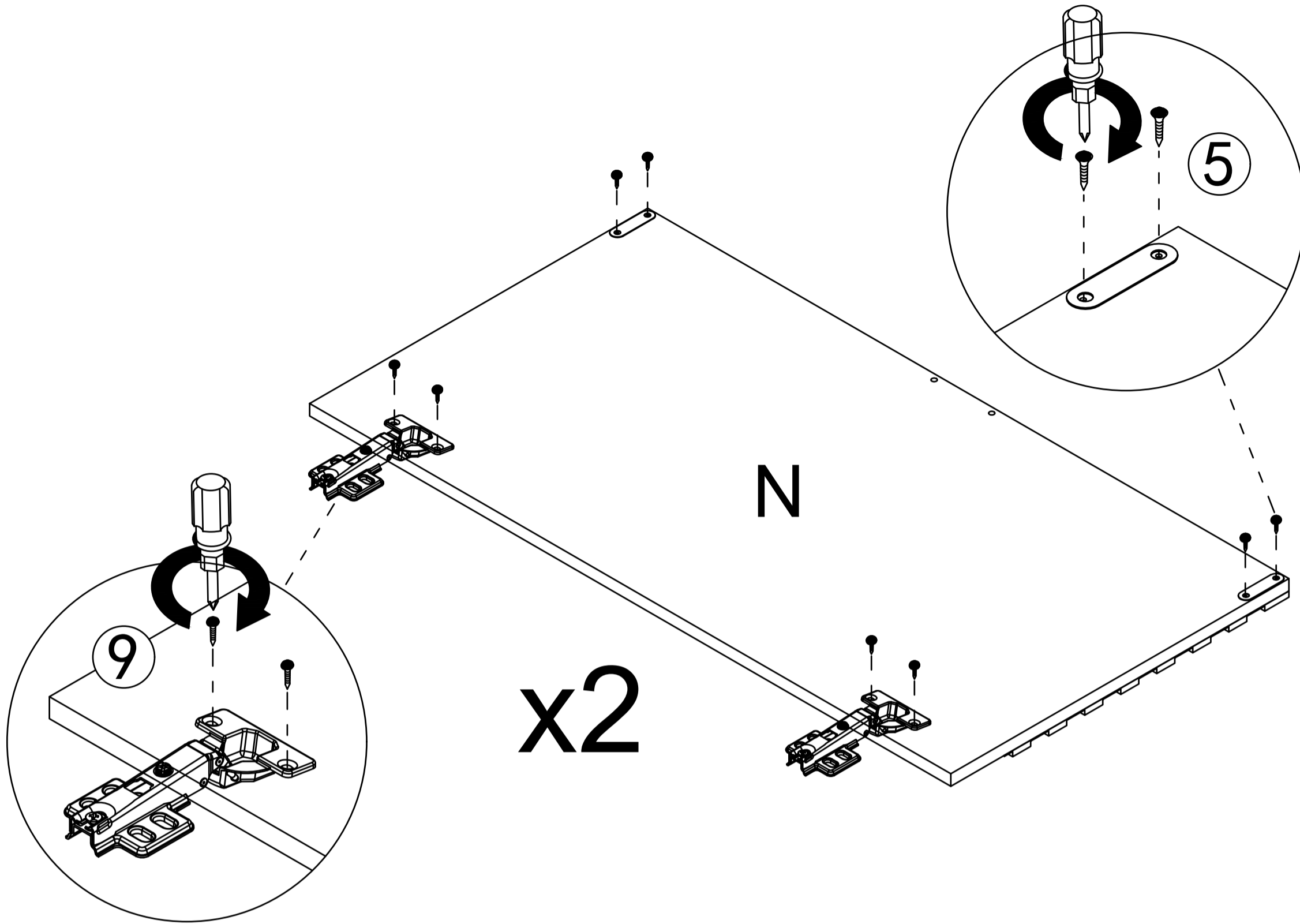
# Step 33

Turning this screw can effectively adjust the size of the door gap.



Turn this screw to adjust the doorpanel to be flat with the side panel.

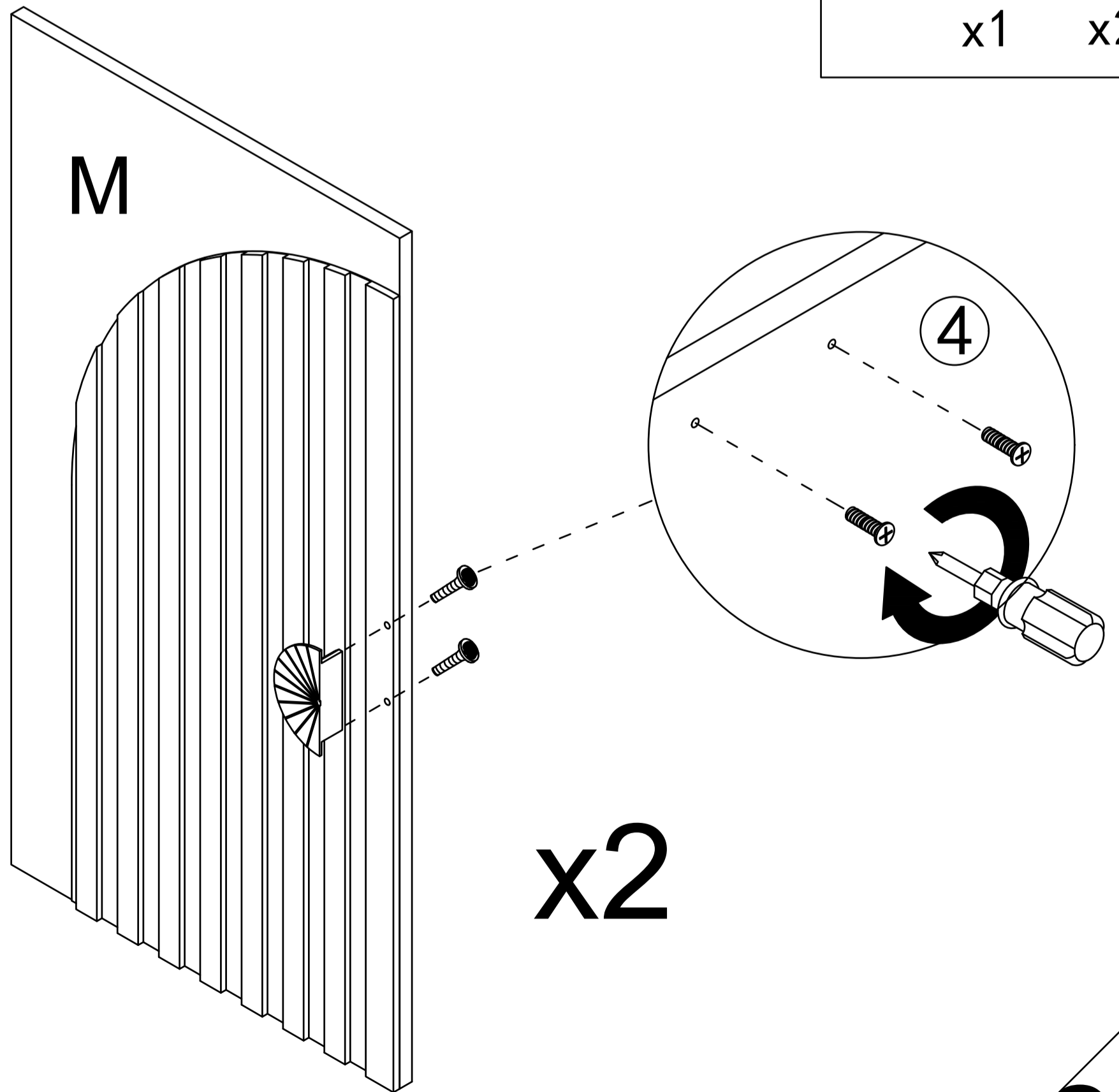
- 9 x2
- x4
- 5 2pcs
- 4pcs



Repeat this step twice.

# Step 34

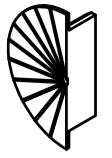
- 4 x1
- x2



Repeat this step twice.

# Step 35

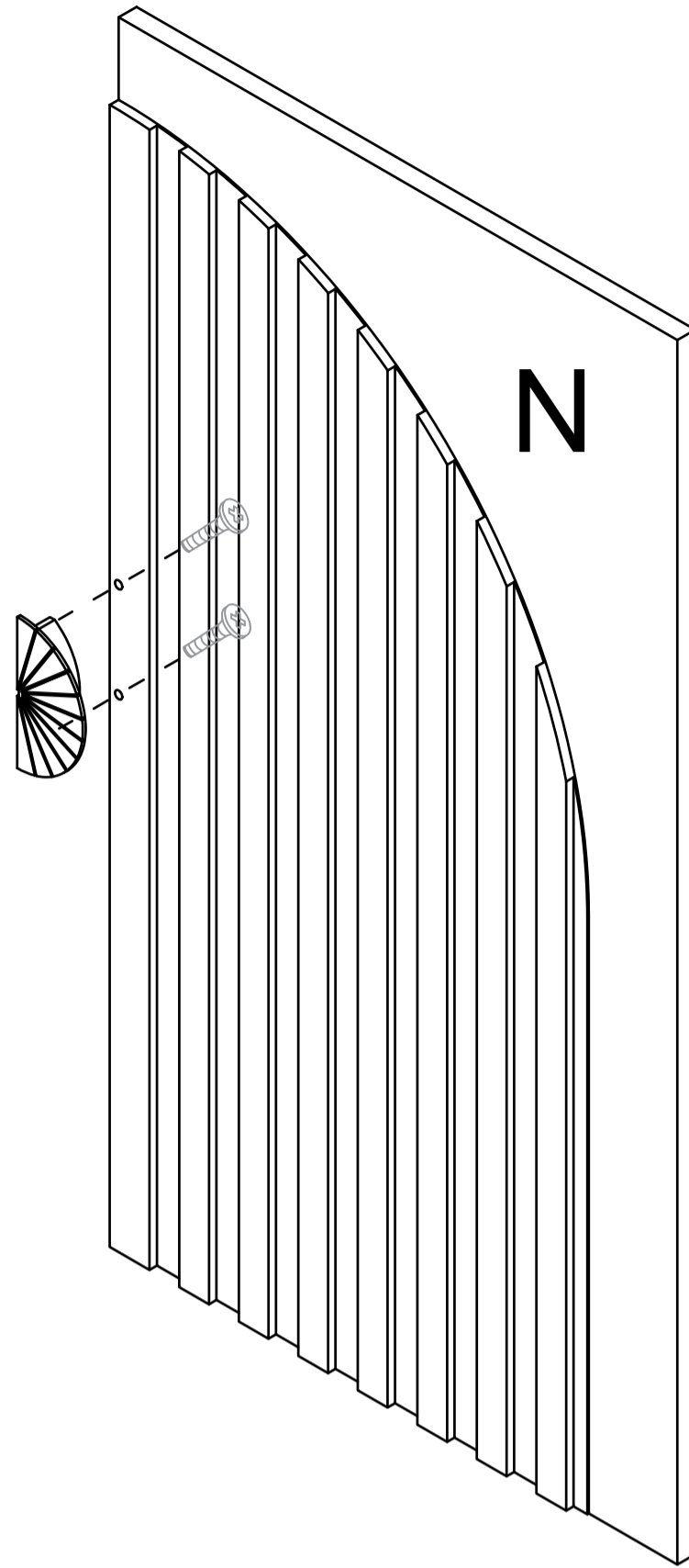
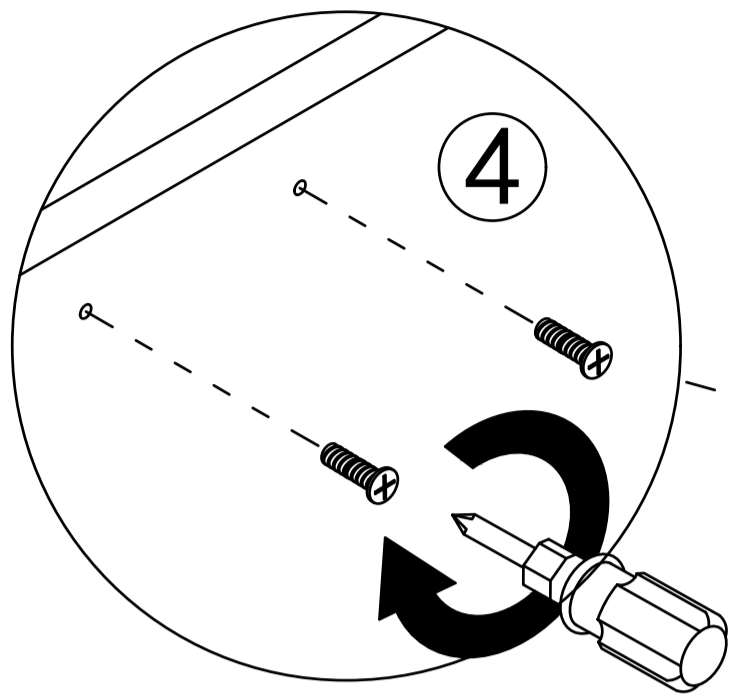
4



x1



x2



x2

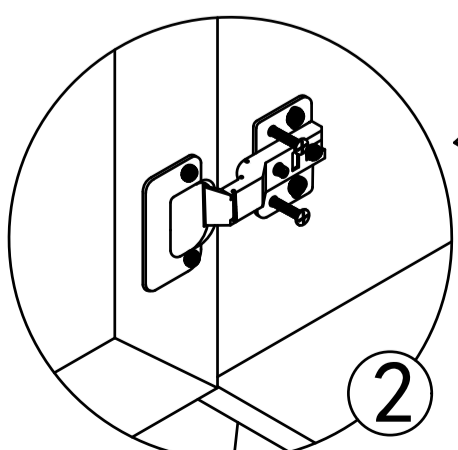
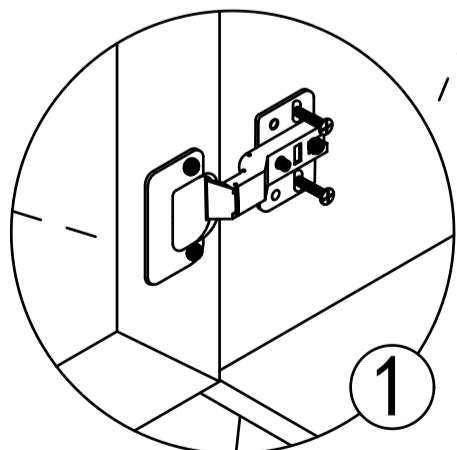
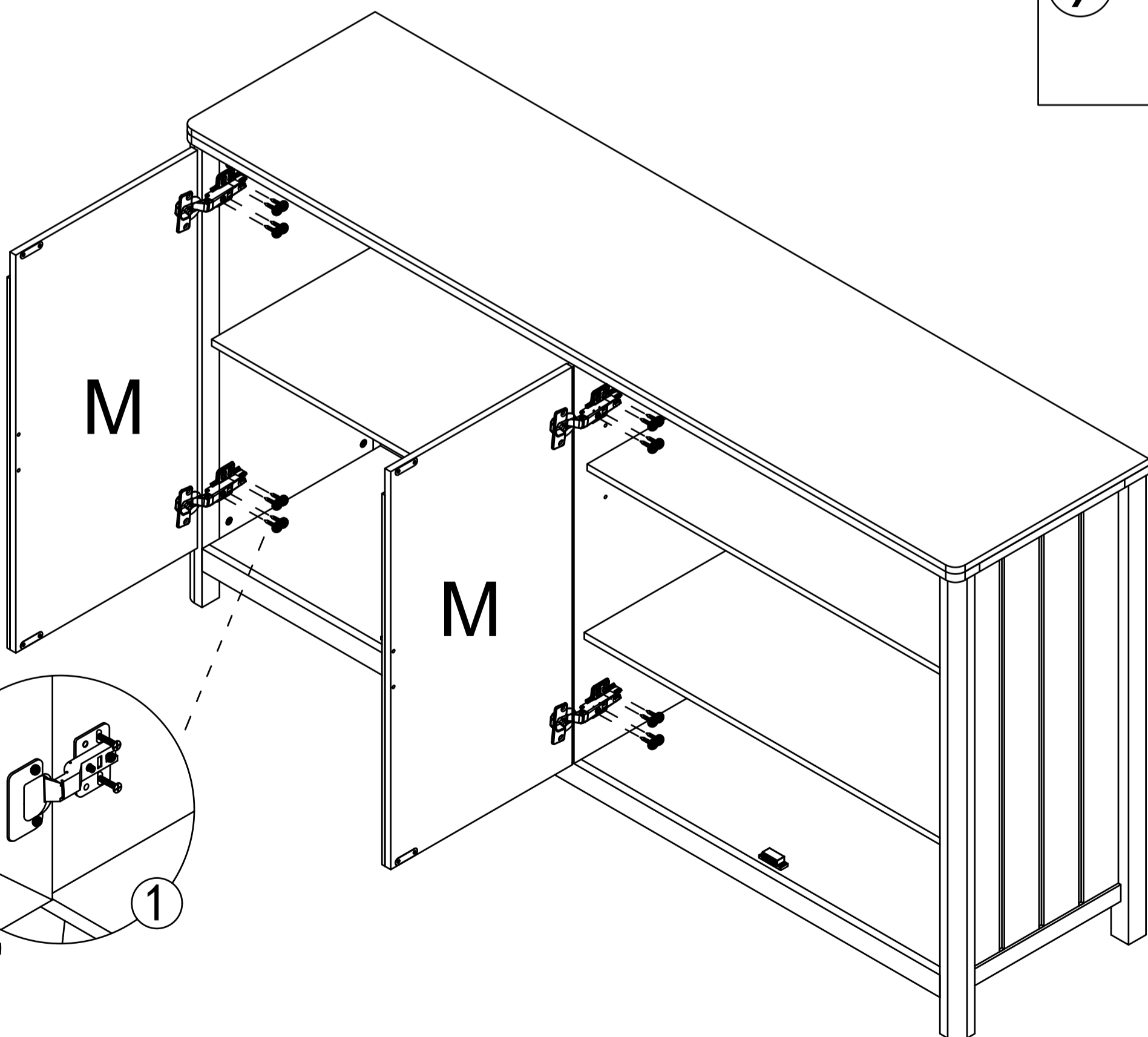
Repeat this step twice.

# Step 36

9

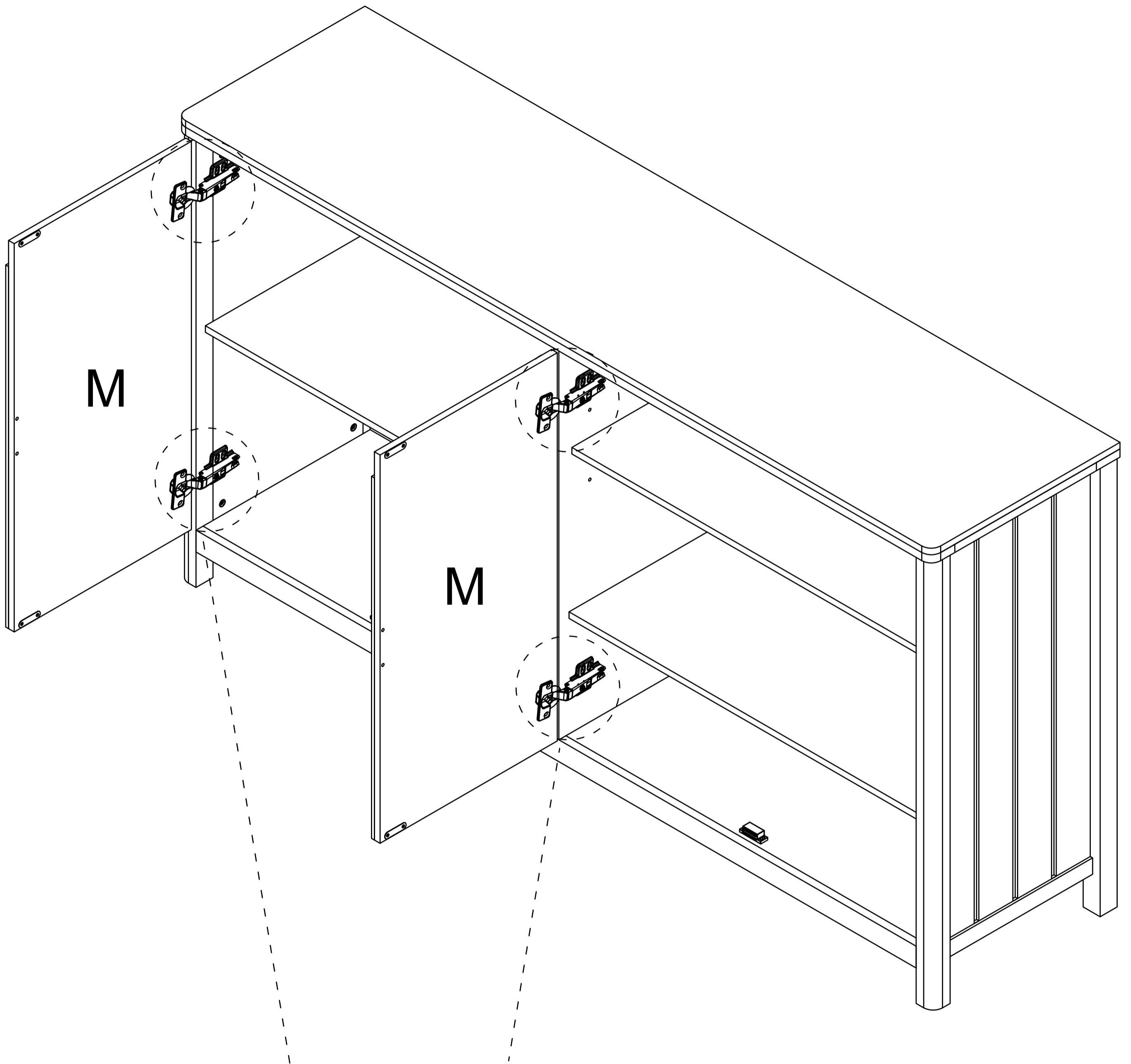


16pcs

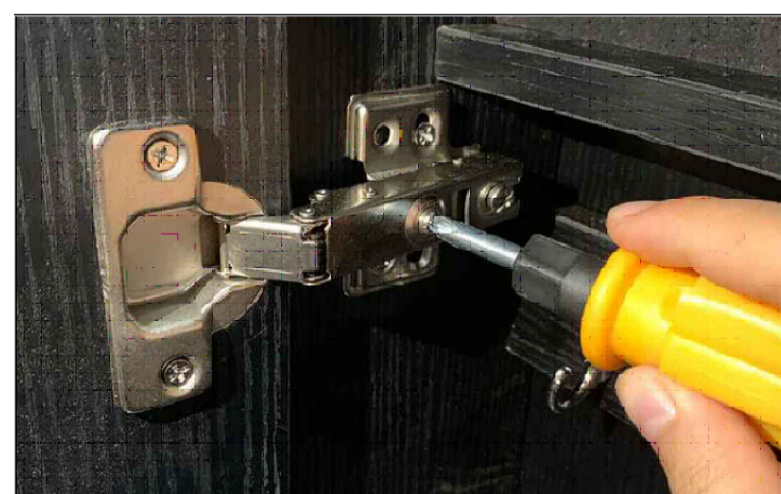
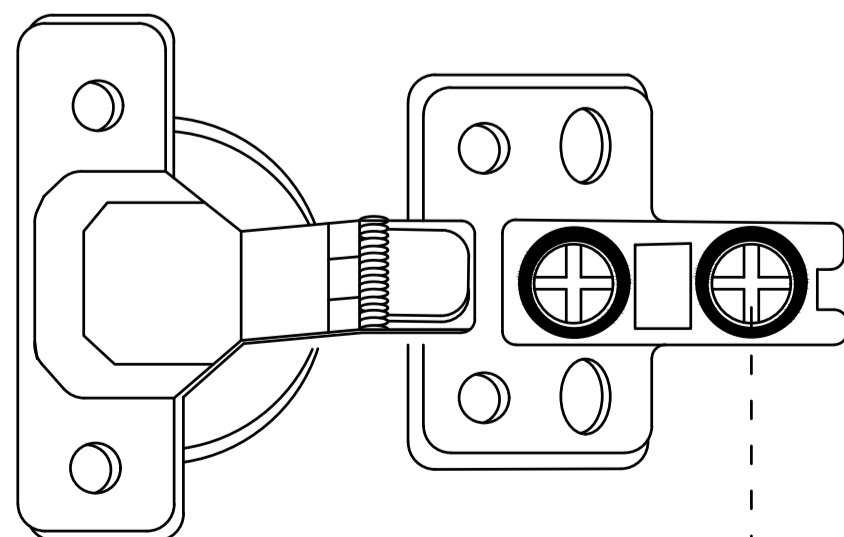


First lock the elliptical hole  
then lock the fixed hole

# Step 37



Turning this screw can effectively adjust the size of the door gap.



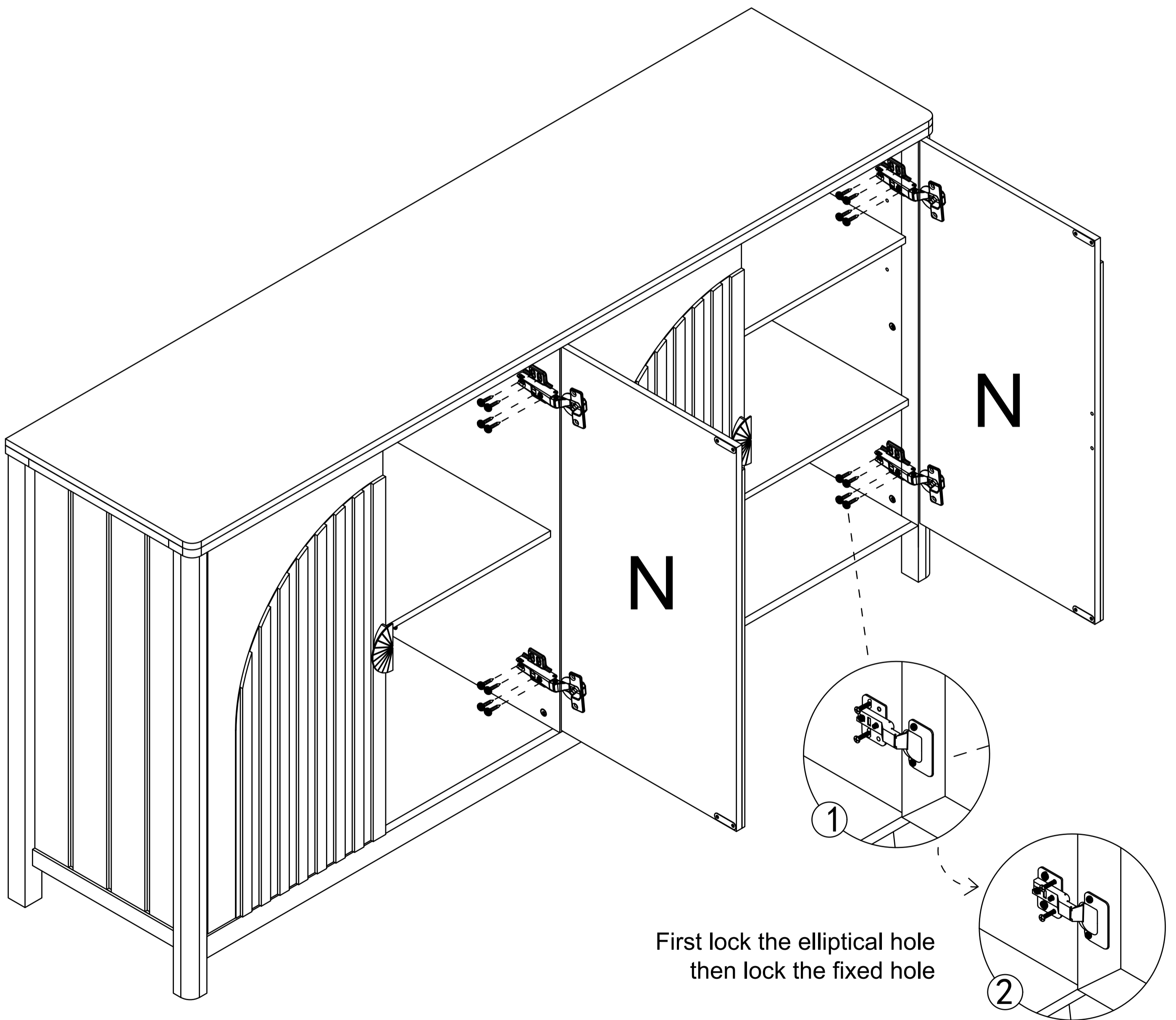
Turn this screw to adjust the door panel to be flat with the side panel.

# Step 38

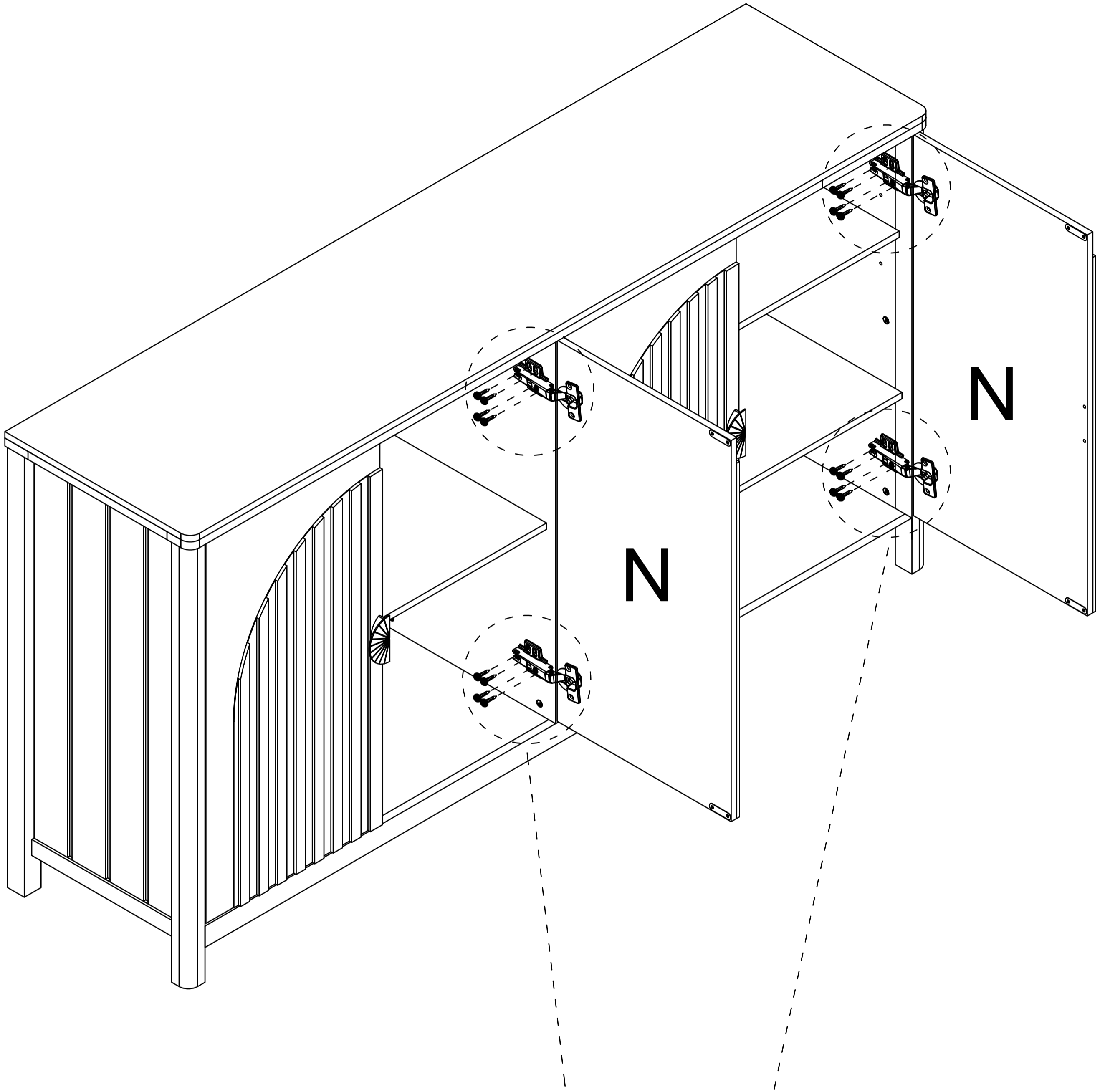
9



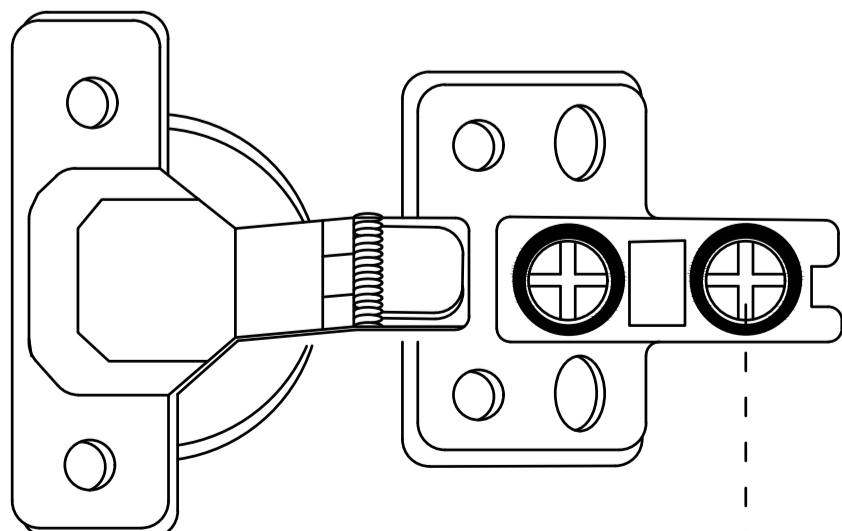
16pcs



# Step 39

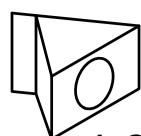




Turning this screw can effectively adjust the size of the door gap.



Turn this screw to adjust the door panel to be flat with the side panel.

# Step 40

7		
	x10	x10
12		
		x1

