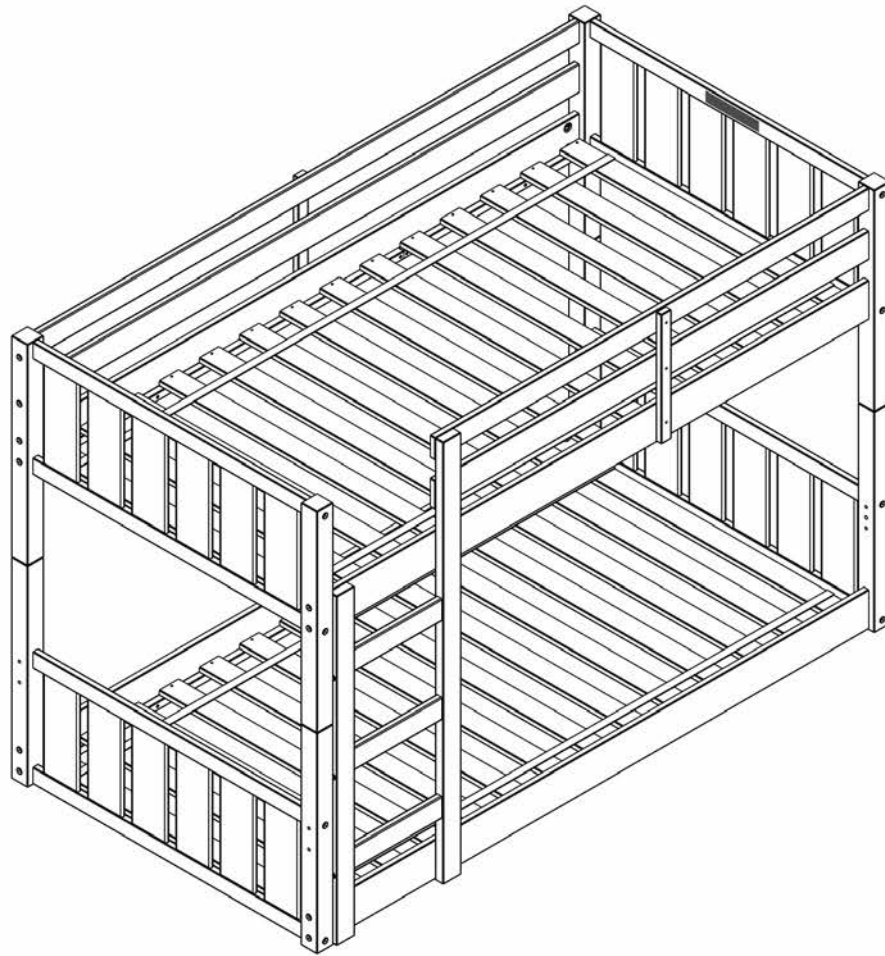
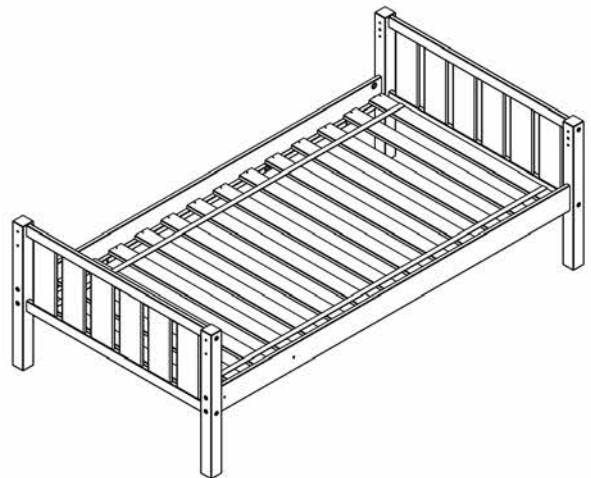
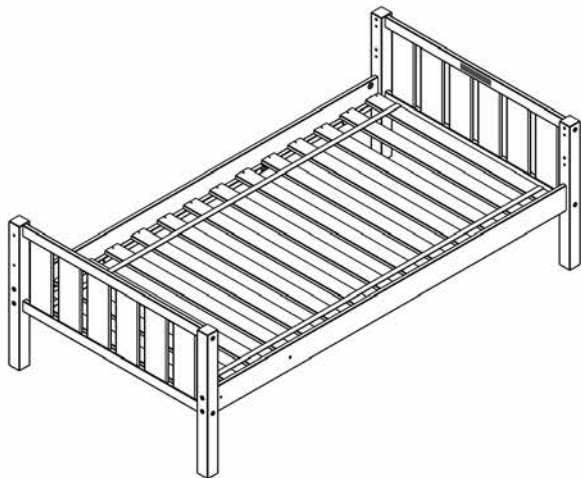


# Assembly Instructions



OR



# Assembly Instructions

## **IMPORTANT INFORMATION READ BEFORE ASSEMBLING THIS PRODUCT**

Follow the information on the warning labels found on the bunk bed and on the packaging. Do not remove the warning label from the bed.

Use only a mattress with the dimensions 74-75 in. L x 38 - 38.5 in. W x 8 in. H on the upper bunk. A mattress with the same dimensions is also recommended for the lower bunk.

The surface of the mattress must be at least 5 in. (127mm) below the upper edge of the guardrails. Mattress must not exceed the maximum thickness of 8in.

Always use the recommended size of mattress or mattress support, or both, to help prevent the likelihood of entrapment or falls.

The use of a water or sleep flotation mattress is prohibited.

Replacement parts, including additional guardrails, may be obtained from any of the company's dealers or by contacting us.

DO NOT use substitute parts. Contact the manufacturer or dealer for replacement parts.

Always use guardrails on the upper bunk. If the bunk bed will be placed next to a wall, the guardrail running the full length of the bed should be placed against the wall to prevent entrapment between the bed and the wall.

Periodically check that the guardrails, ladders and other components of the bed are in their proper position, free from damage, and that all connectors are tight.

Always use the ladder to access the upper bunk.

DO NOT allow children under 6 years of age to use the upper bunk.

DO NOT allow horseplay on or under the bed. Prohibit jumping on the bed.

Prohibit more than one person on the upper bunk.

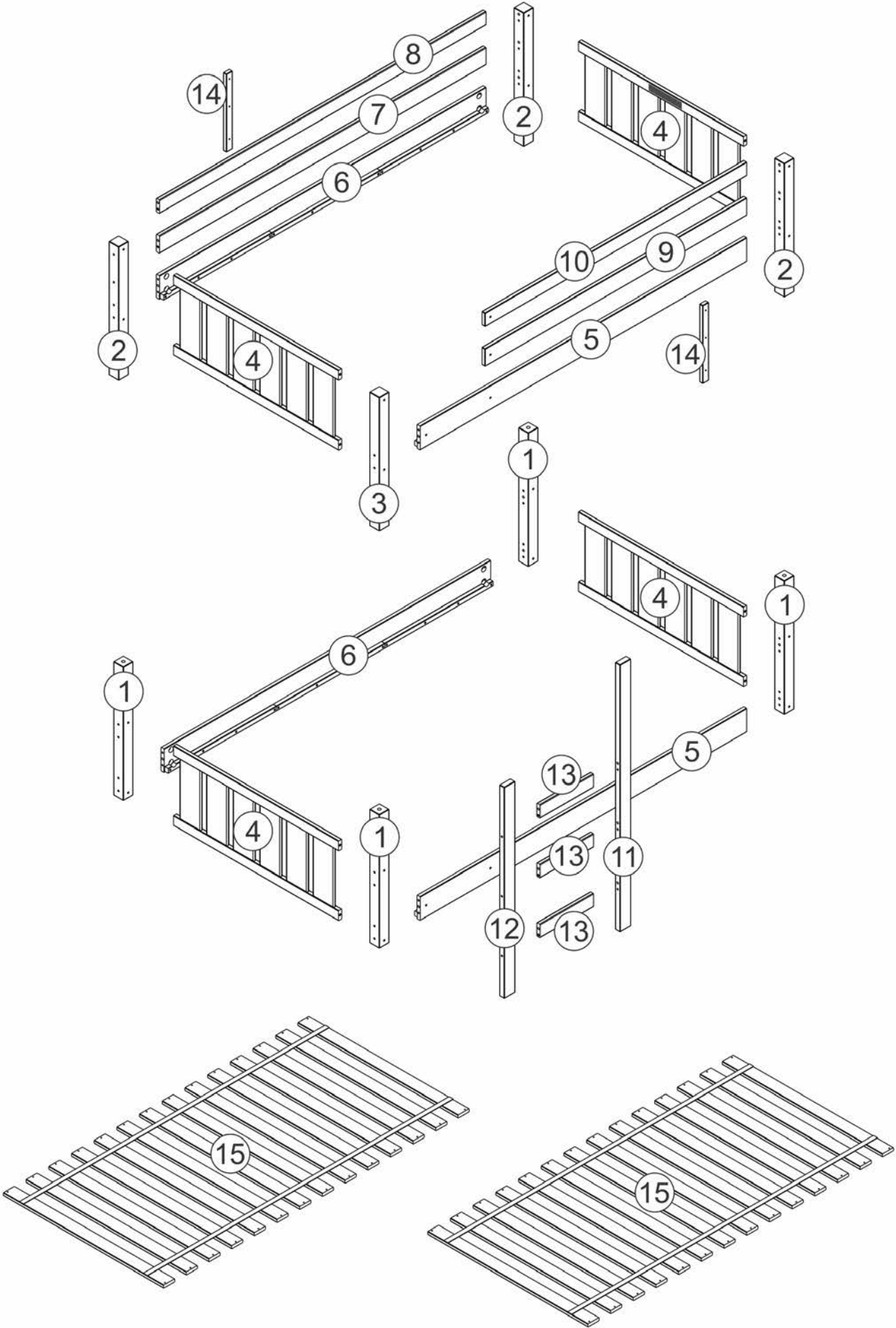
The use of a night light may provide an added safety precaution for a child using the upper bunk.

**STRANGULATION HAZARD** – Never attach or hang items to any part of the bunk bed that are not designed for use with the bed; including but not limited to hooks, belts and jump ropes.




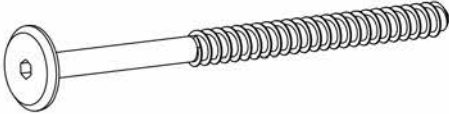



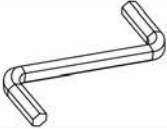
**DANGER D'ÉTRANGLEMENT**- Ne jamais attacher ni suspendre quelque chose au lit, qui ne fait pas partie du lit superposé. Ceci inclut, sans s'y limiter : crochets, ceintures ou cordes à sauter.

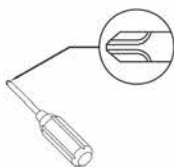
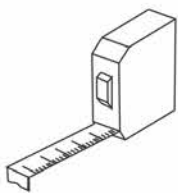
Keep these instructions for future reference.

# Parts List



# Hardware List

Ref.			Qty.
A		Wood Dowel    Ø15 x 100	<b>04</b>
B		Wood Dowel    Ø10 x 40	<b>20</b>
C		Bolt            Ø1/4" x 100	<b>16</b>
D		Bolt            Ø7 x 100	<b>28</b>
E		Bolt            Ø7 x 40	<b>06</b>
F		Screw            Ø4,0 x 30	<b>62</b>
G		Barrel Nut      Ø1/4"	<b>16</b>
H		Hex Key	<b>02</b>



Philips head screwdriver required for assembly  
(not included)

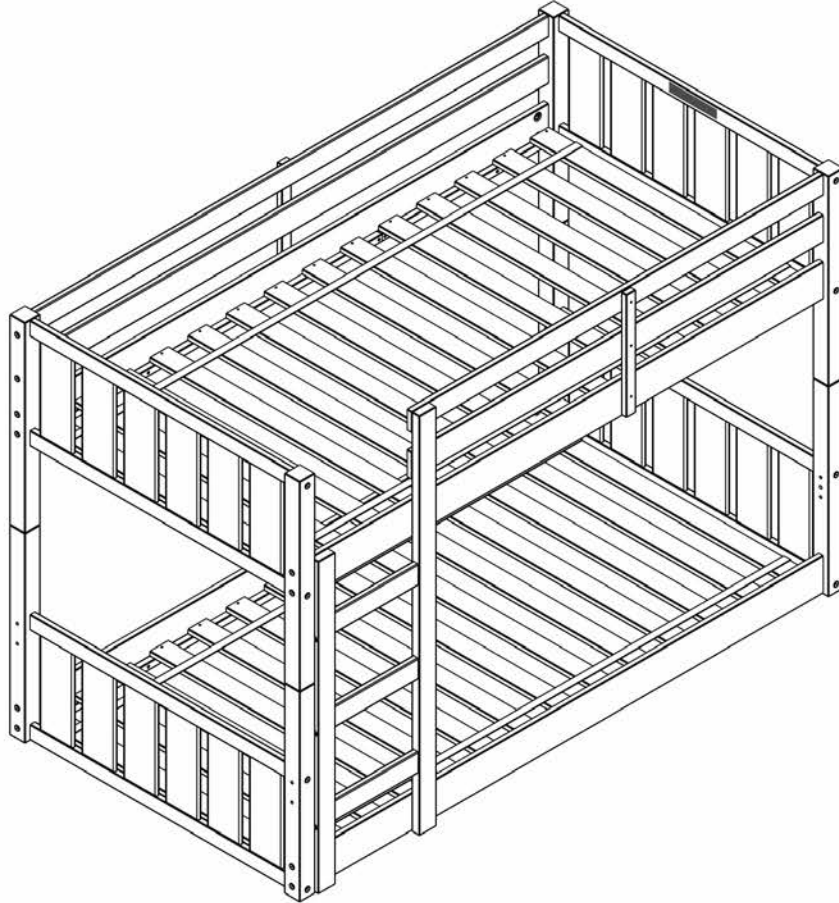
*The hardware quantities listed above are required for proper assembly.  
Some extra hardware may also have been included.*

# Assembly Options

---

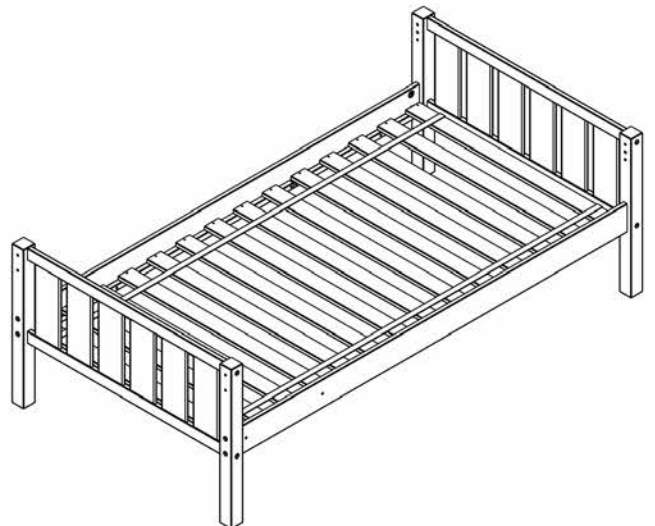
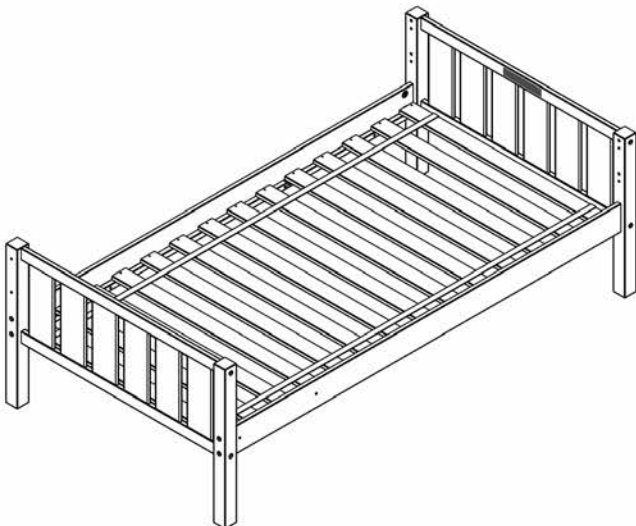
## Option A

Twin over Twin Bunk Bed



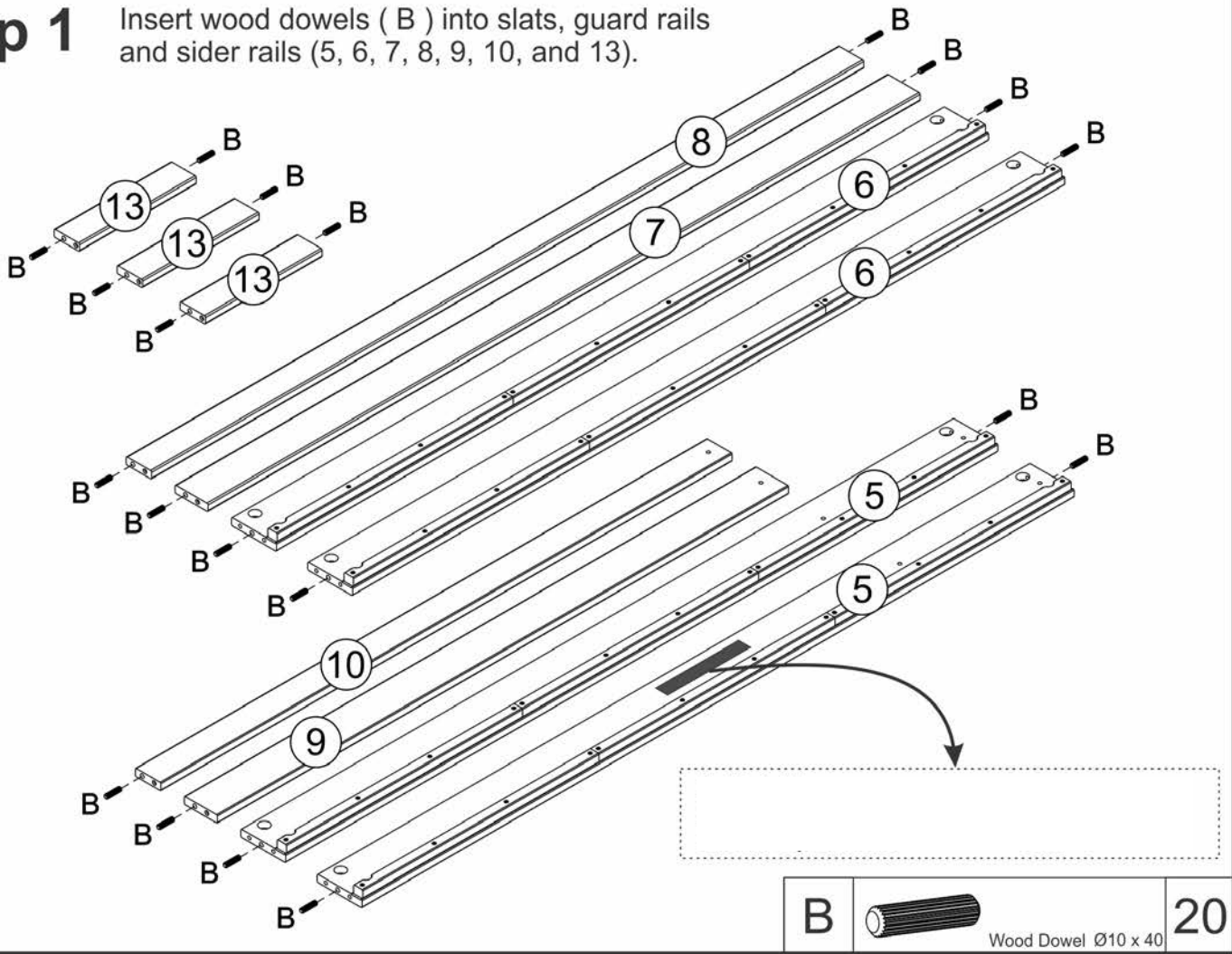
## Option B

Conversion into Two Single Twin Beds



# Step 1

Insert wood dowels ( B ) into slats, guard rails and sider rails ( 5, 6, 7, 8, 9, 10, and 13 ).



# Step 2

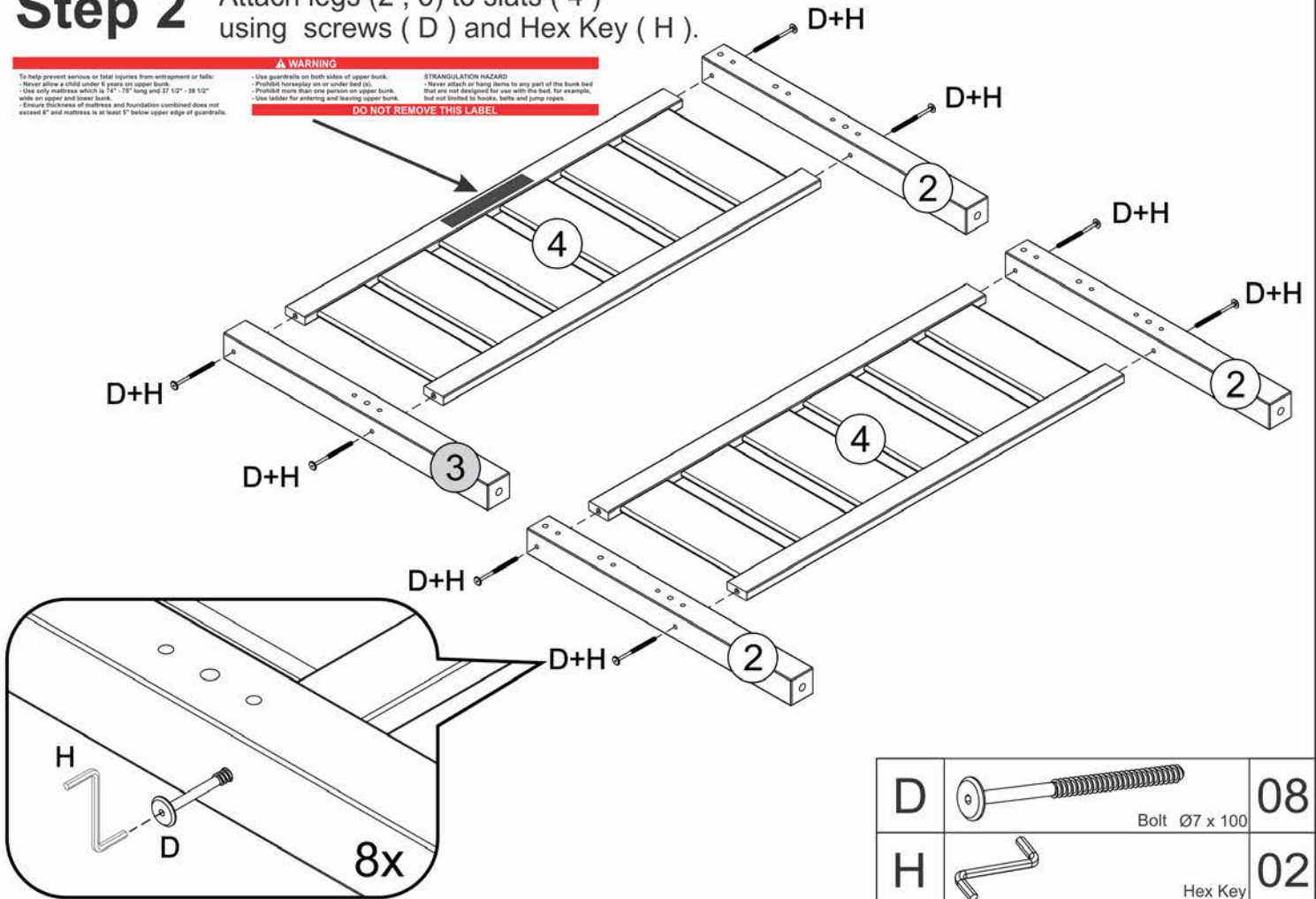
Attach legs ( 2, 3 ) to slats ( 4 ) using screws ( D ) and Hex Key ( H ).

**WARNING**  
To help prevent serious or fatal injuries from entrapment or falls:  
- Never allow a child under 6 years on upper bunk.  
- Use only mattress which is 14" - 15" long and 27 1/2" - 38 1/2" wide on upper and lower bunk.  
- Ensure thickness of mattress and foundation combined does not exceed 8" and mattress is at least 2" below upper edge of guardrails.

**WARNING**  
- Use guardrails on both sides of upper bunk.  
- Prohibit horseplay on or under bed (s).  
- Prohibit more than one person on upper bunk.  
- Use ladder for entering and leaving upper bunk.

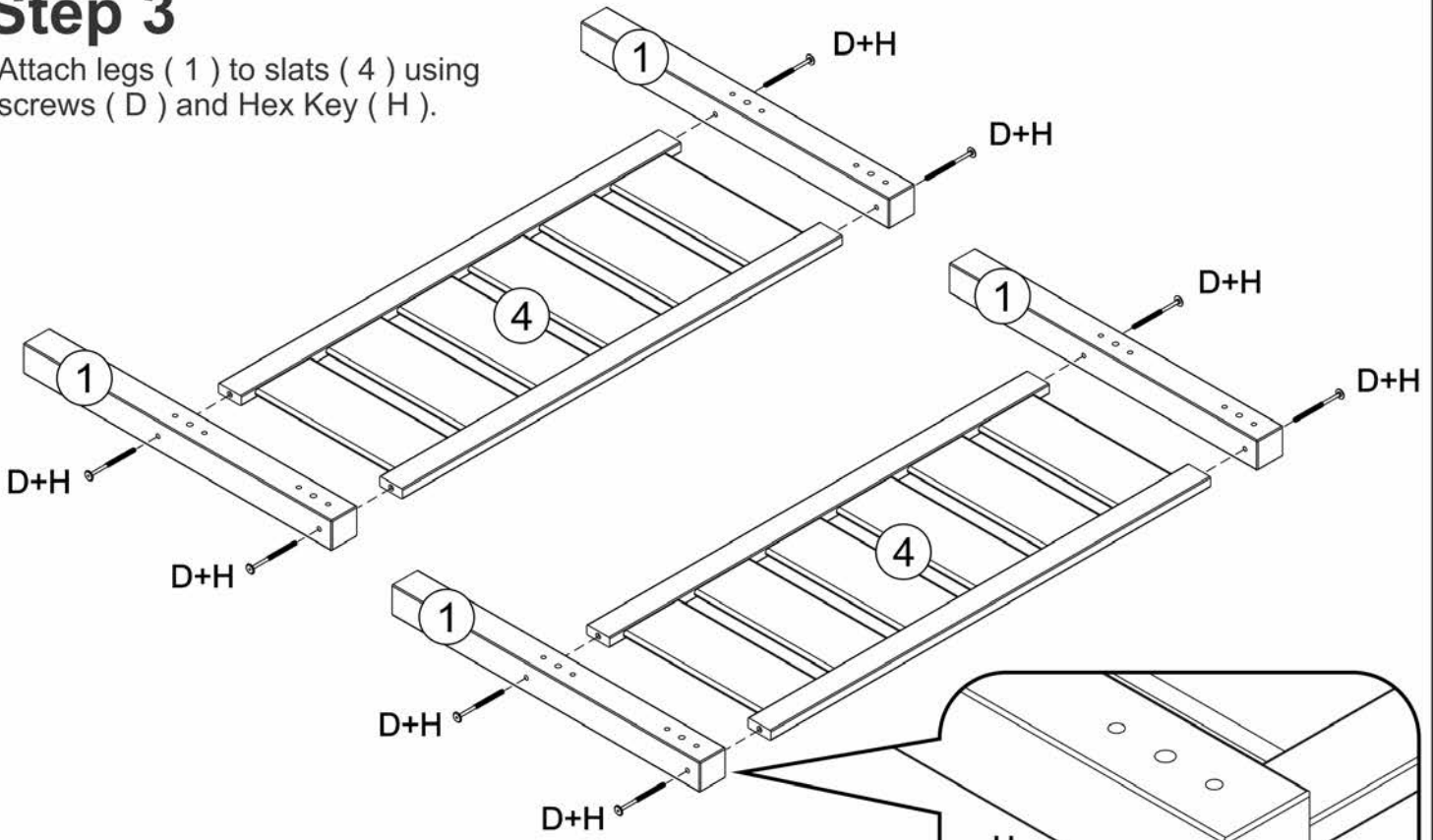
**STRANGULATION HAZARD**  
- Never attach or hang items to any part of the bunk bed that are not designed for use with the bed, for example, but not limited to hooks, belts and jump ropes.



**DO NOT REMOVE THIS LABEL**

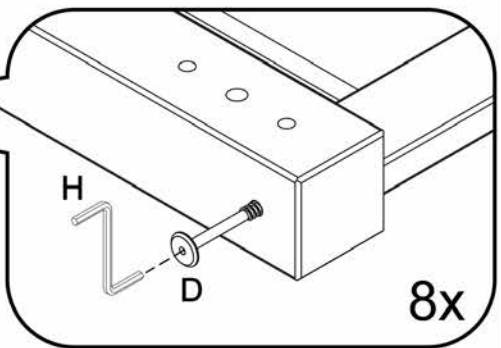


# Step 3

Attach legs ( 1 ) to slats ( 4 ) using screws ( D ) and Hex Key ( H ).

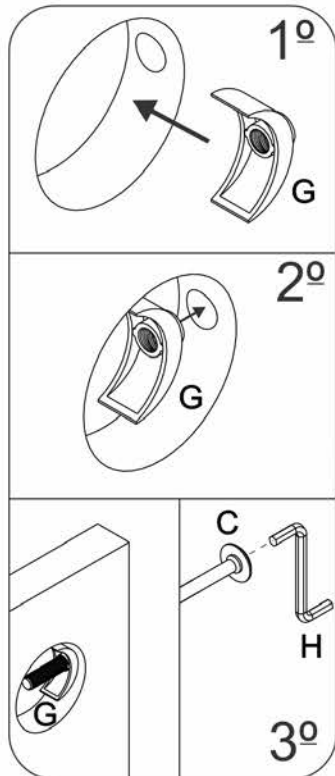
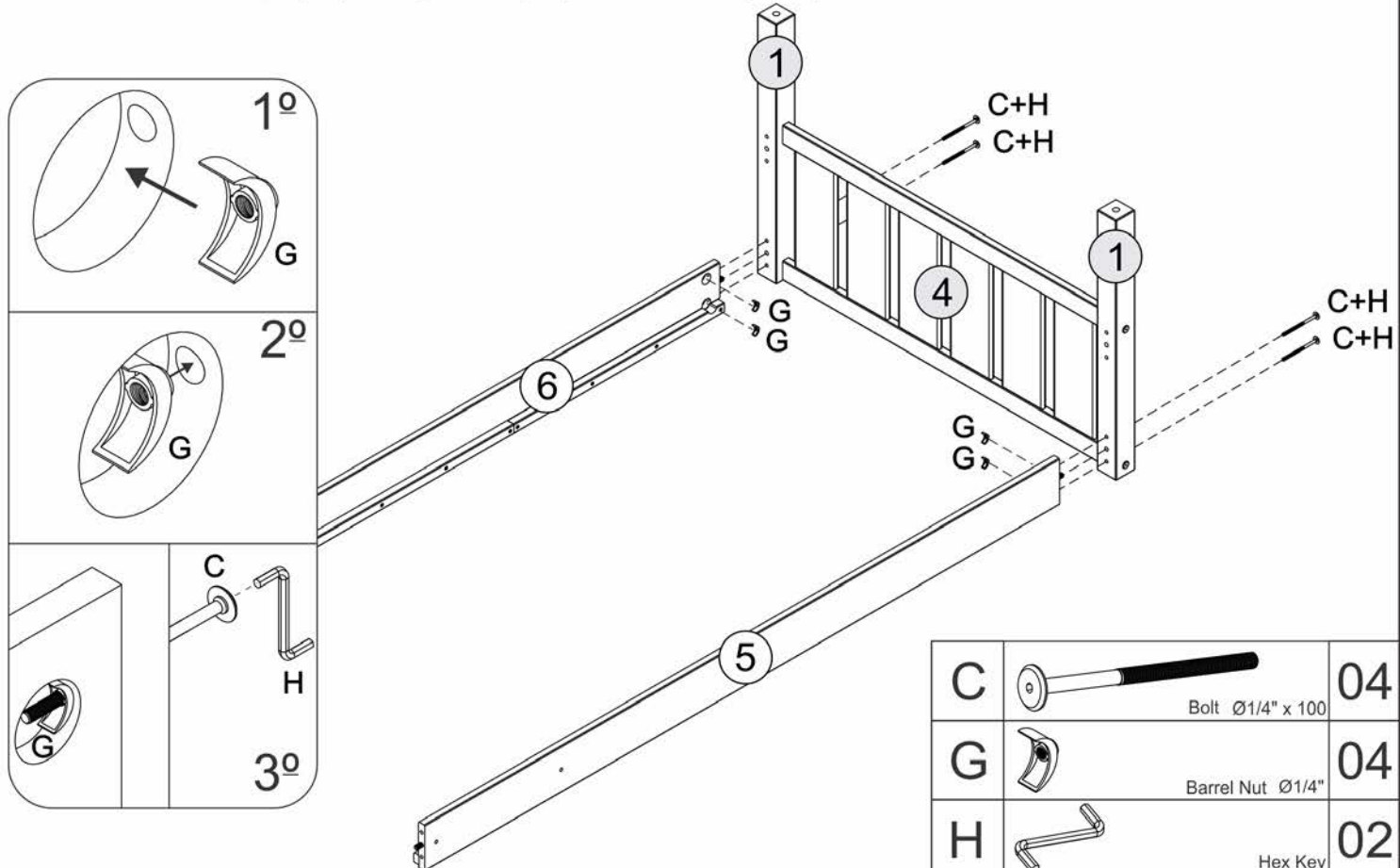




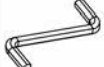
D		08
Bolt Ø7 x 100		
H		02
Hex Key		



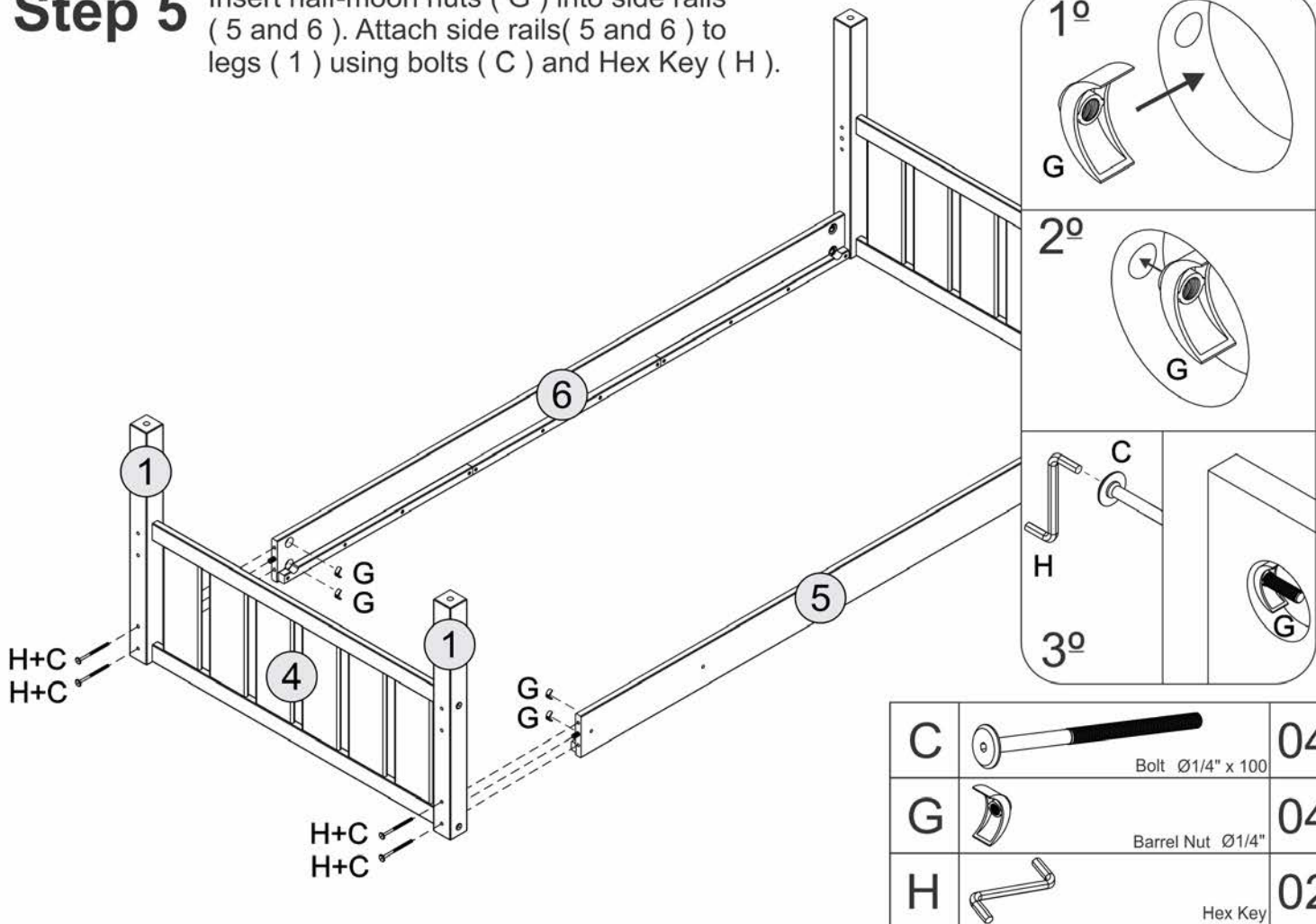
# Step 4

Insert half-moon nuts ( G ) into side rails ( 5 and 6 ). Attach side rails ( 5 and 6 ) to legs ( 1 ) using bolts ( C ) and Hex Key ( H ).

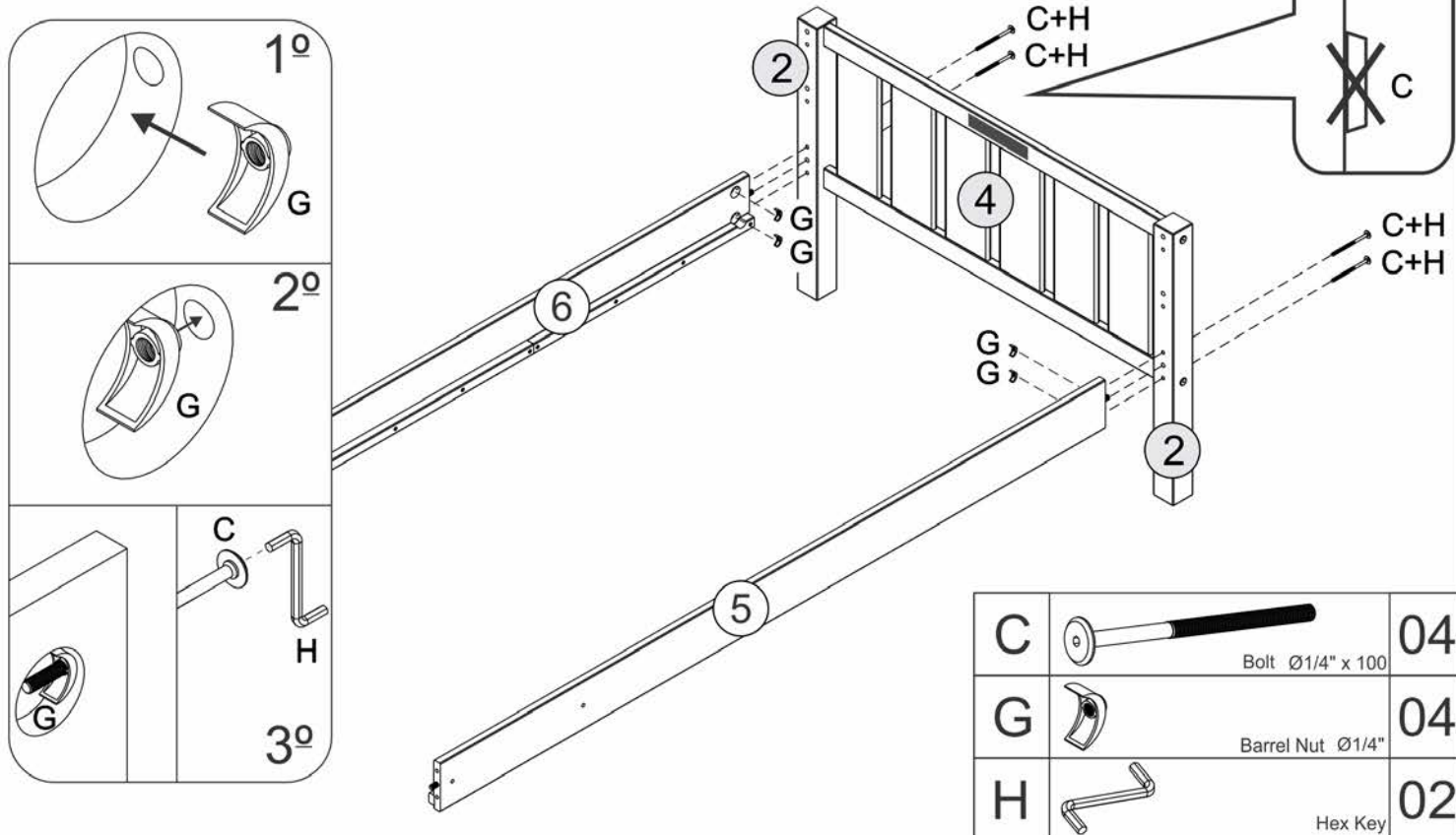


C		04
Bolt Ø1/4" x 100		
G		04
Barrel Nut Ø1/4"		
H		02
Hex Key		

**Step 5** Insert half-moon nuts ( G ) into side rails ( 5 and 6 ). Attach side rails ( 5 and 6 ) to legs ( 1 ) using bolts ( C ) and Hex Key ( H ).

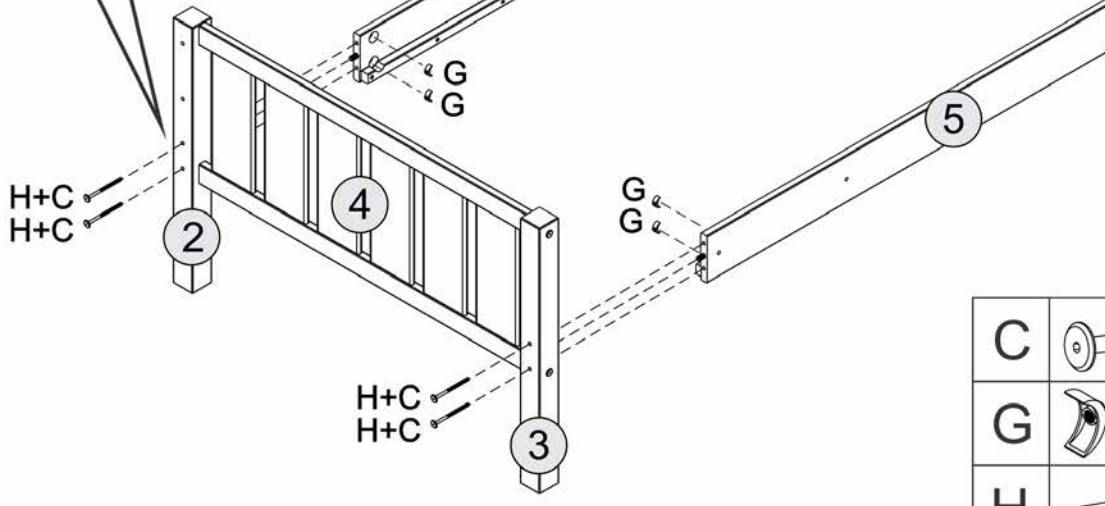
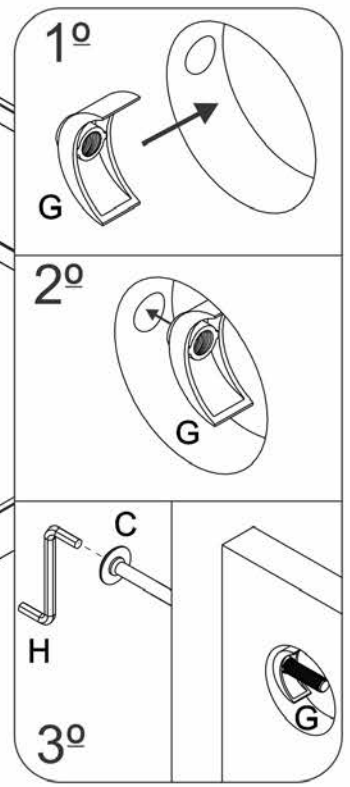
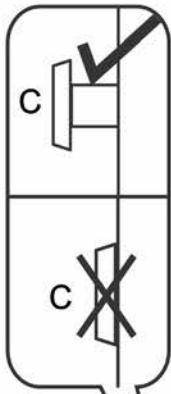





**Step 6** Insert half-moon nuts ( G ) into side rails ( 5 and 6 ). Attach side rails ( 5 and 6 ) to legs ( 2 ) using bolts ( C ) and Hex Key ( H ). Leave the bolts ( C ) loose for future Steps.



# Step 7

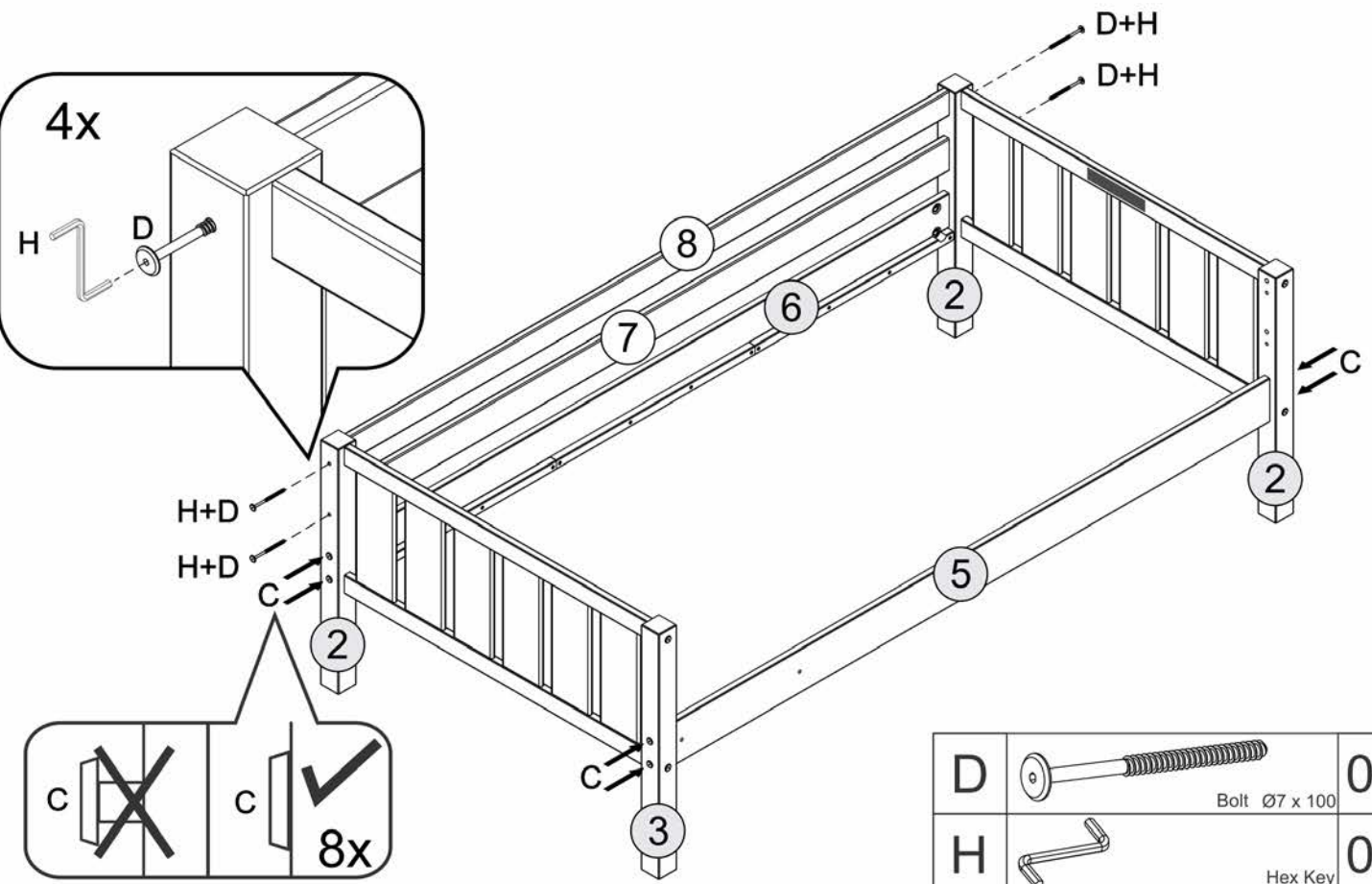
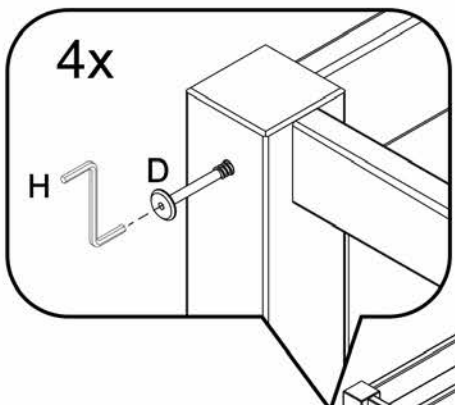
Insert half-moon nuts ( G ) into side rails ( 5 and 6 ). Attach side rails ( 5 and 6 ) to legs ( 2, 3 ) using bolts ( C ) and Hex Key ( H ). Leave the bolts ( C ) loose for future Steps.





C		Bolt Ø1/4" x 100	04
G		Barrel Nut Ø1/4"	04
H		Hex Key	02

# Step 8

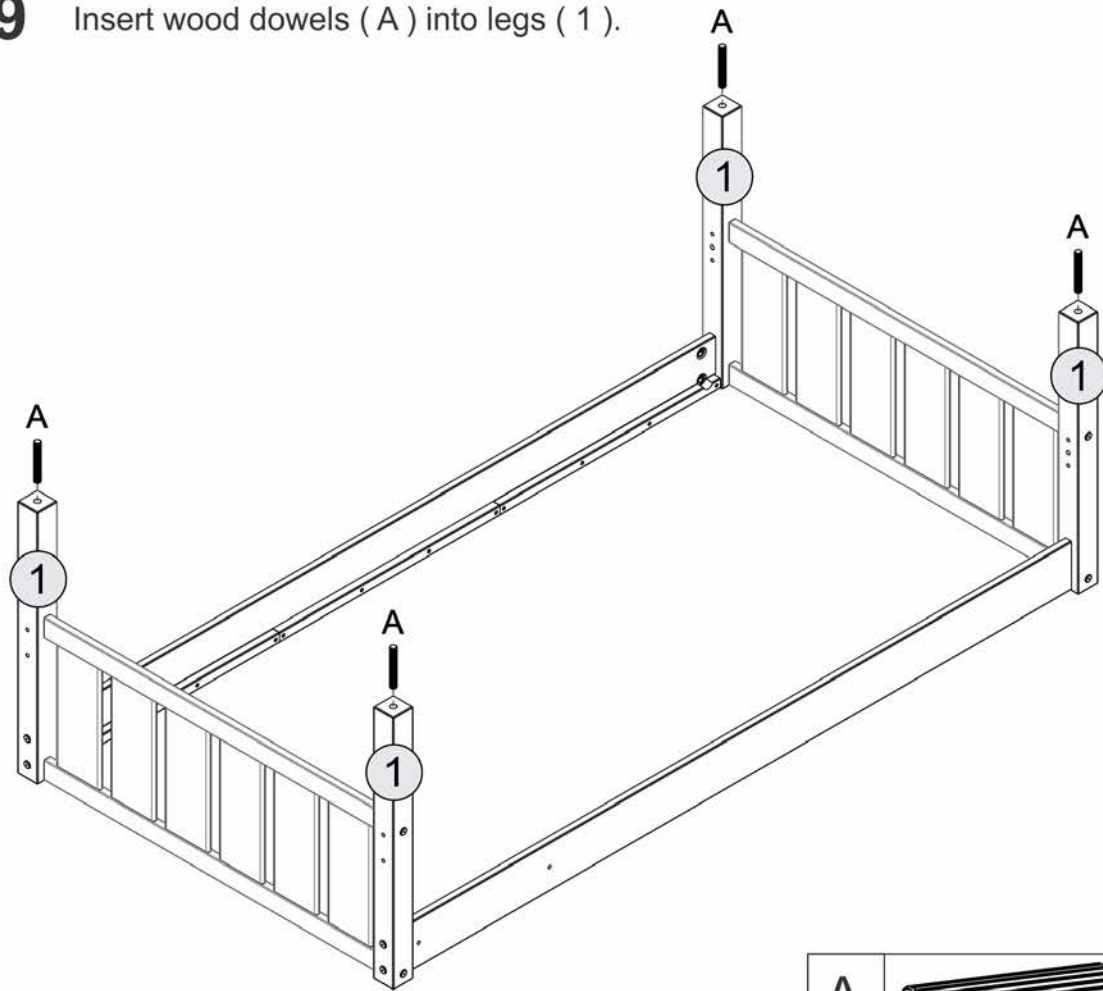
Attach guard rails ( 7 and 8 ) to legs ( 2 ), using bolts ( D ) and Hex Key ( H ). Then tighten all bolts ( C ) on all Side Rails ( 5 and 6 ).



D		Bolt Ø7 x 100	04
H		Hex Key	02

## Step 9

Insert wood dowels ( A ) into legs ( 1 ).



A

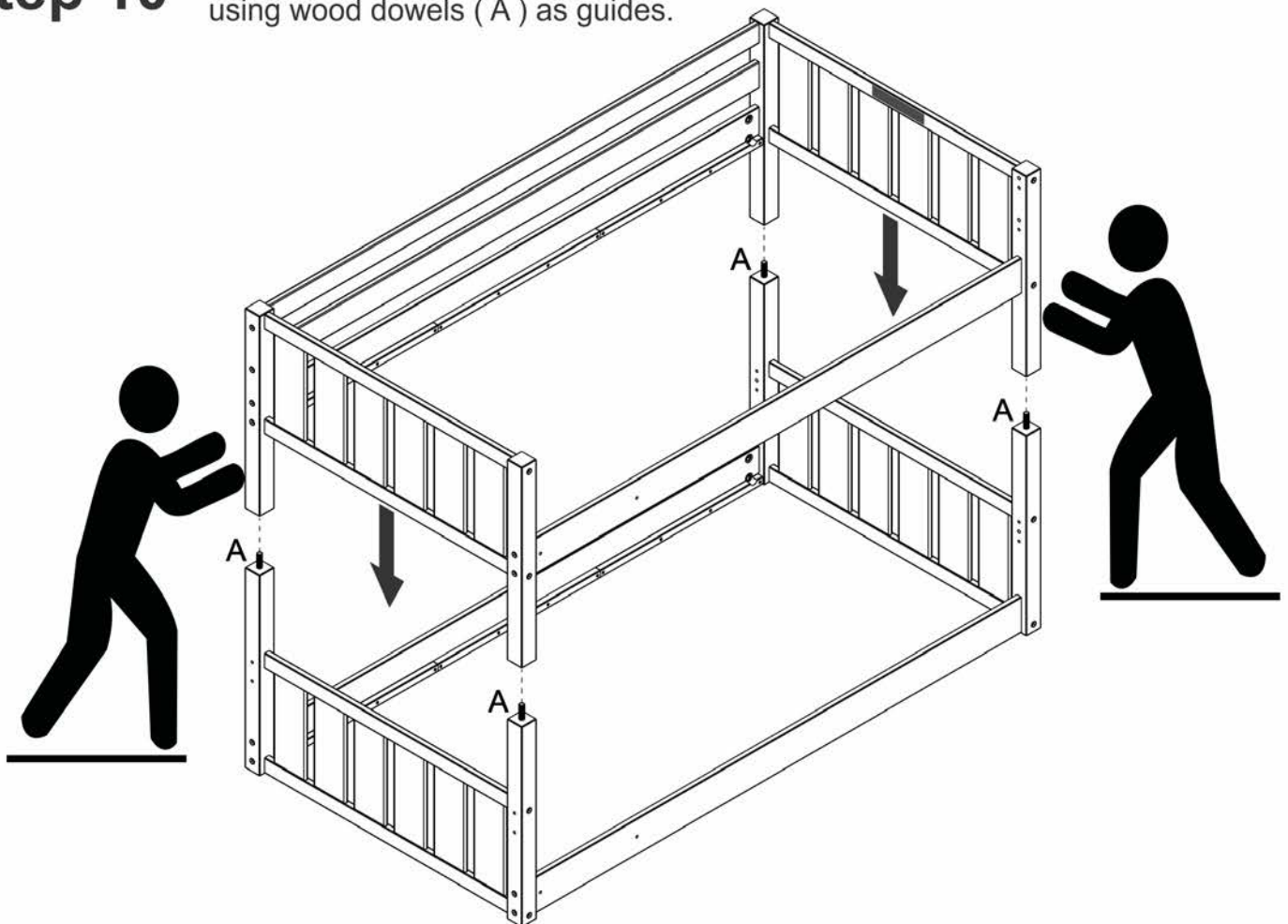


Wood Dowel Ø15 x 100

04

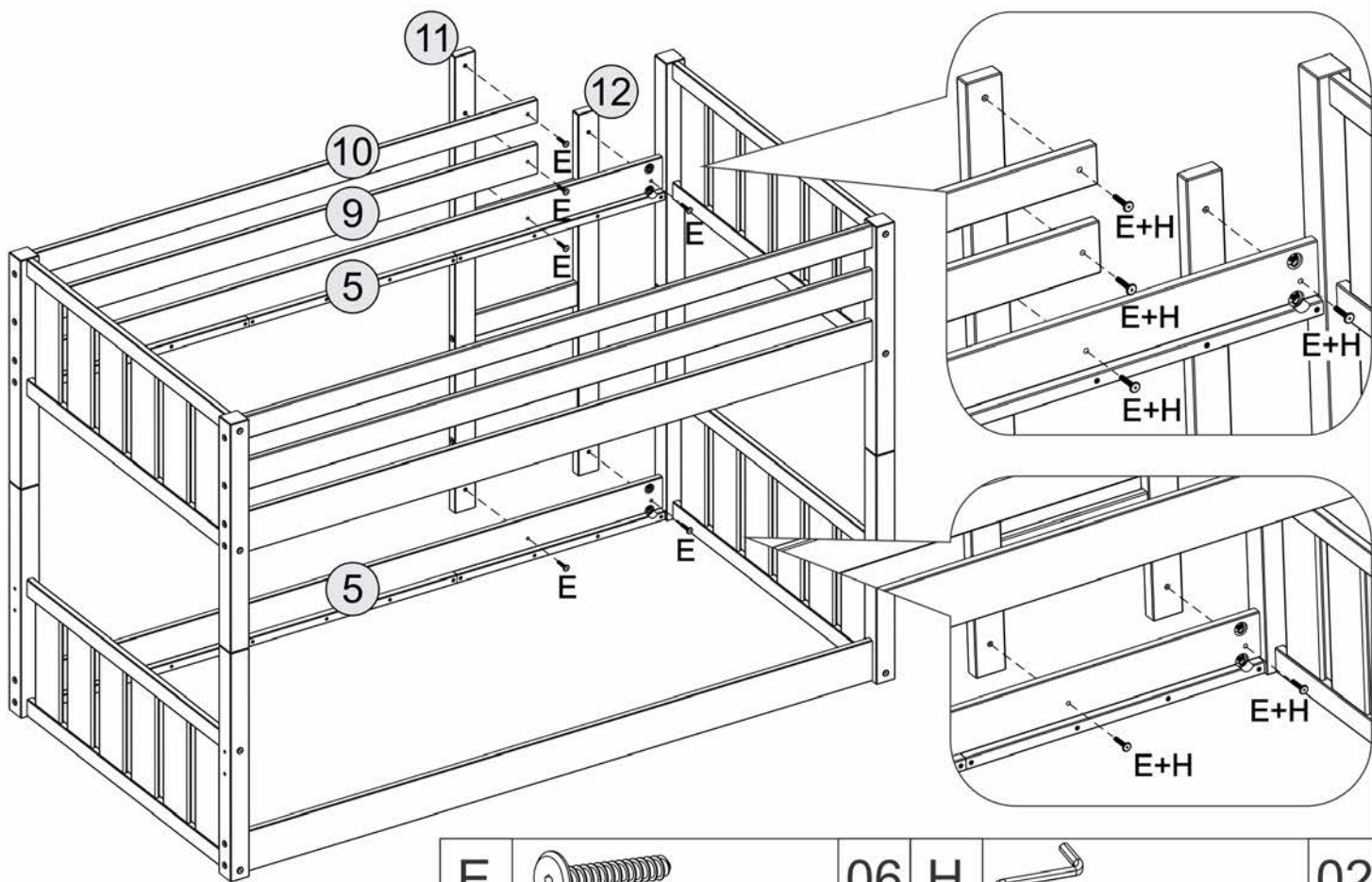
## Step 10

Carefully lift and place the upper bunk assembly onto the lower bunk assembly using wood dowels ( A ) as guides.



# Step 13

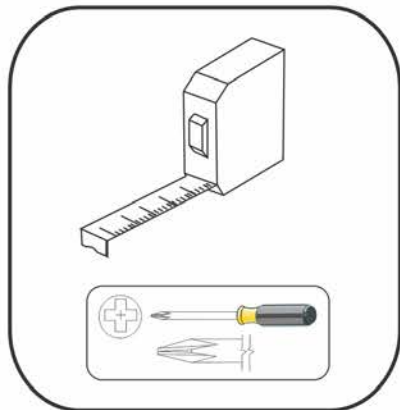
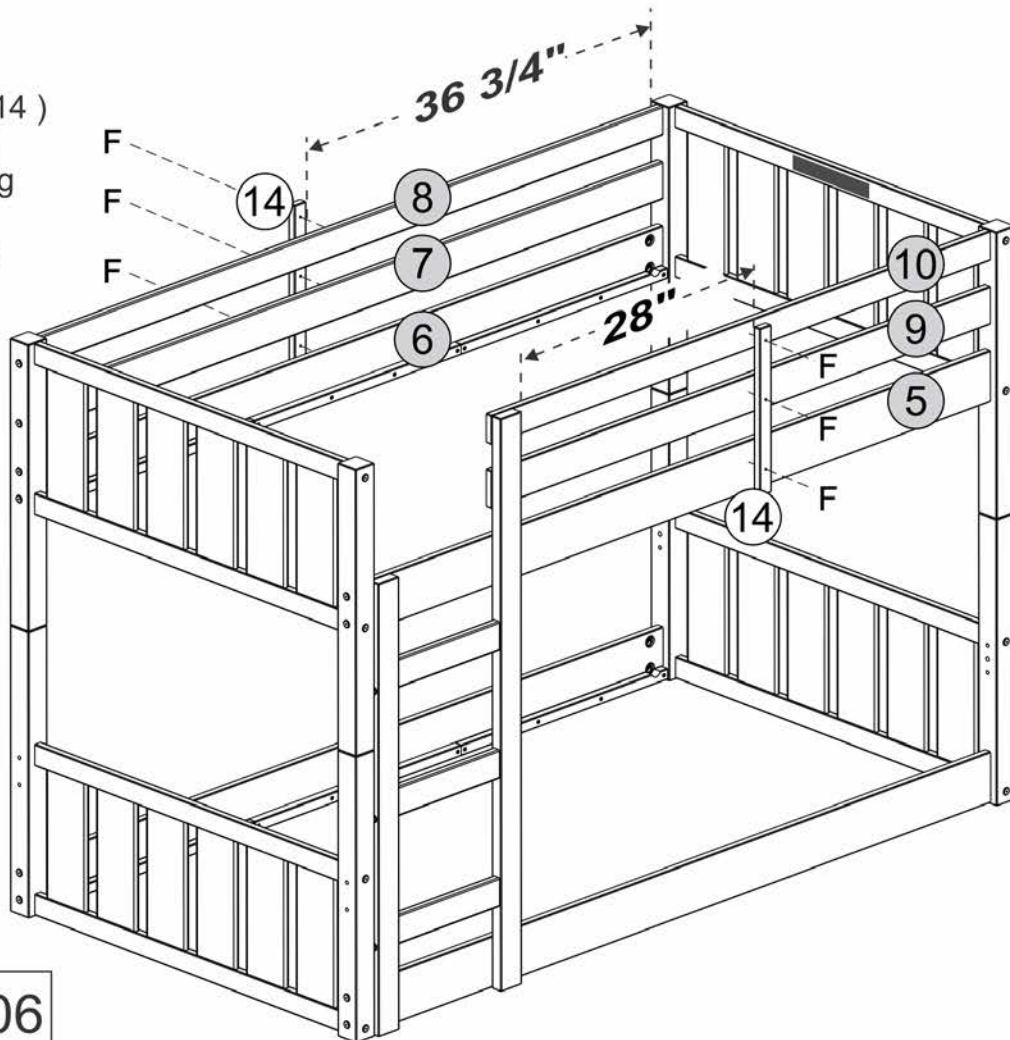
Attach ladder side rails ( 11 and 12 ) to side rails ( 5 ), guard rails ( 9 and 10 ) using bolts ( E ) and Hex Key ( H ).



E		Bolt Ø7 x 40	06	H		Hex Key	02
---	---	--------------	----	---	---	---------	----

# Step 14

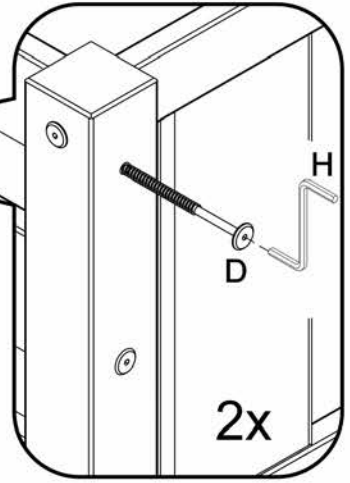
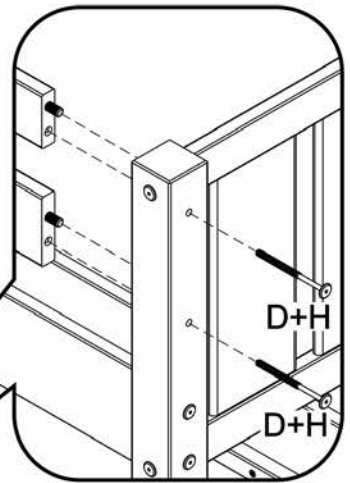
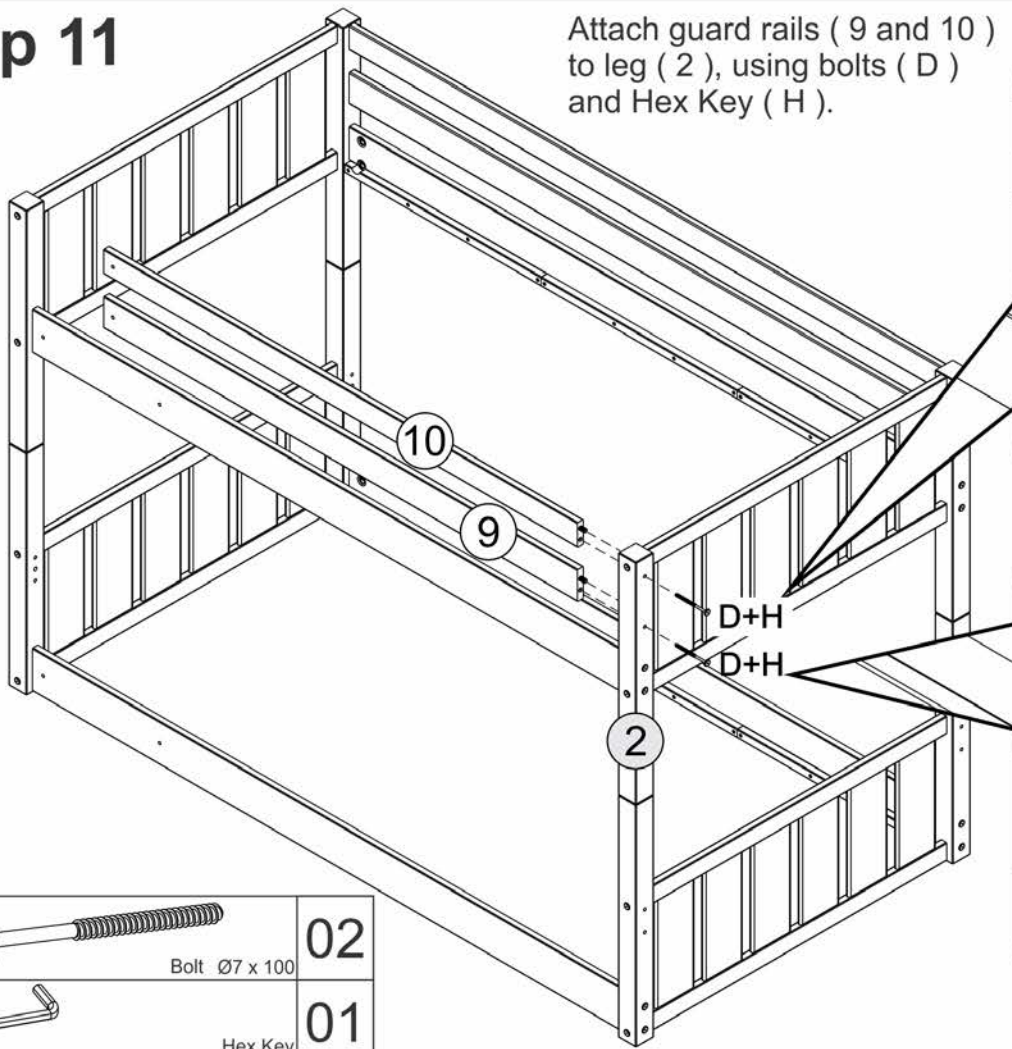
Connect guard rail support ( 14 ) to guard rails ( 7,8,9 and 10 ) and side rails ( 5 and 6 ) using screw ( F ). Follow measurements shown in diagram.

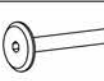
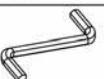


F		Screw Ø4,0 x 30	06
---	---	-----------------	----

# Step 11

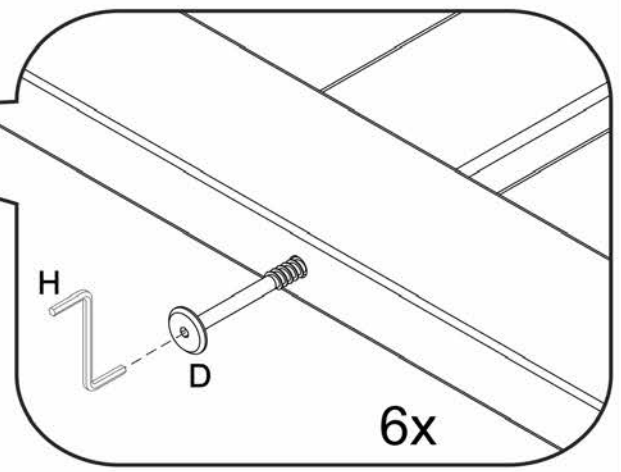
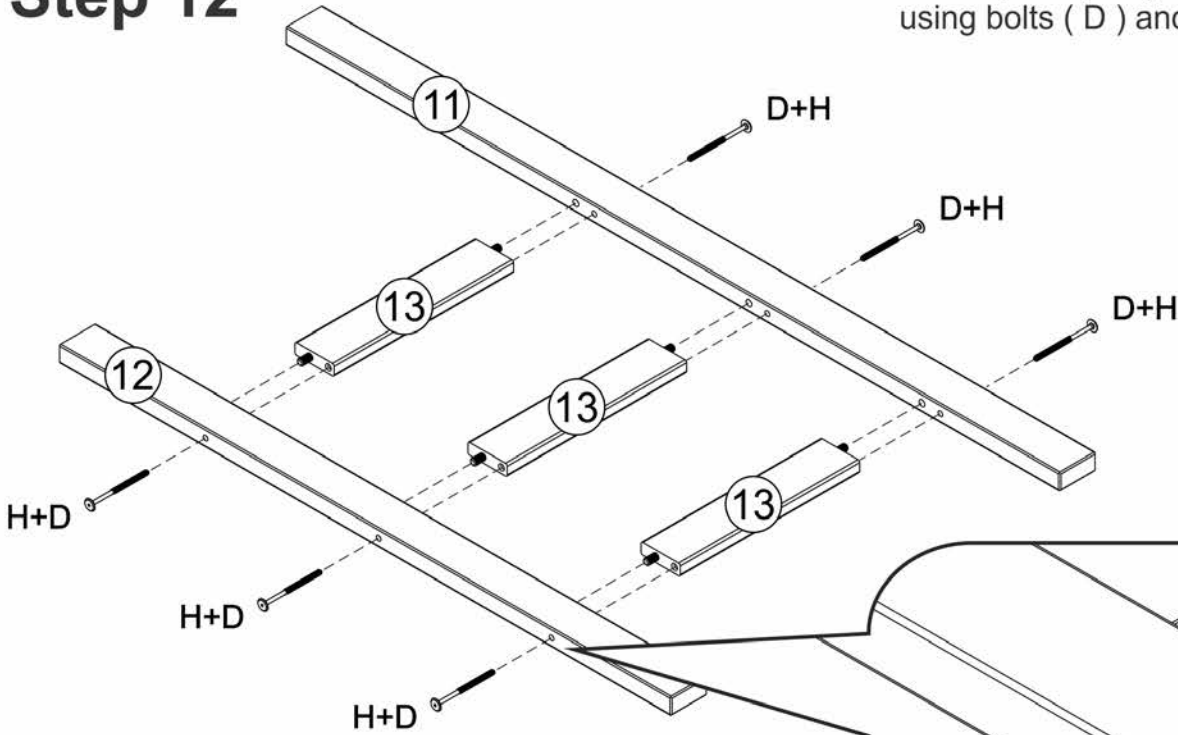
Attach guard rails ( 9 and 10 )  
to leg ( 2 ), using bolts ( D )  
and Hex Key ( H ).

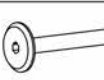
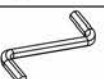


D		Bolt Ø7 x 100	02
H		Hex Key	01

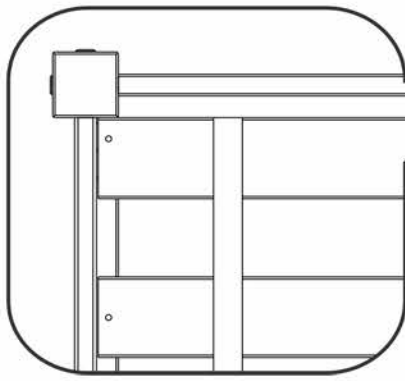
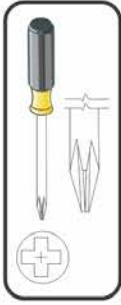
# Step 12

Attach parts ( 13 ) to legs ( 11 and 12 ),  
using bolts ( D ) and Hex Key ( H ).



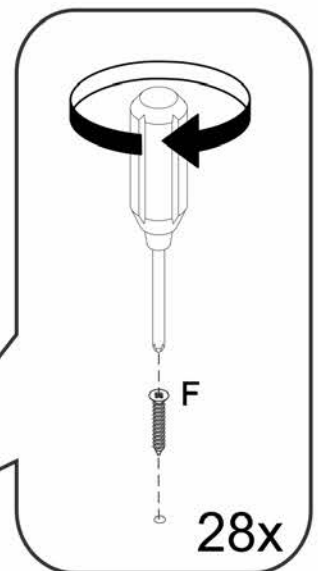
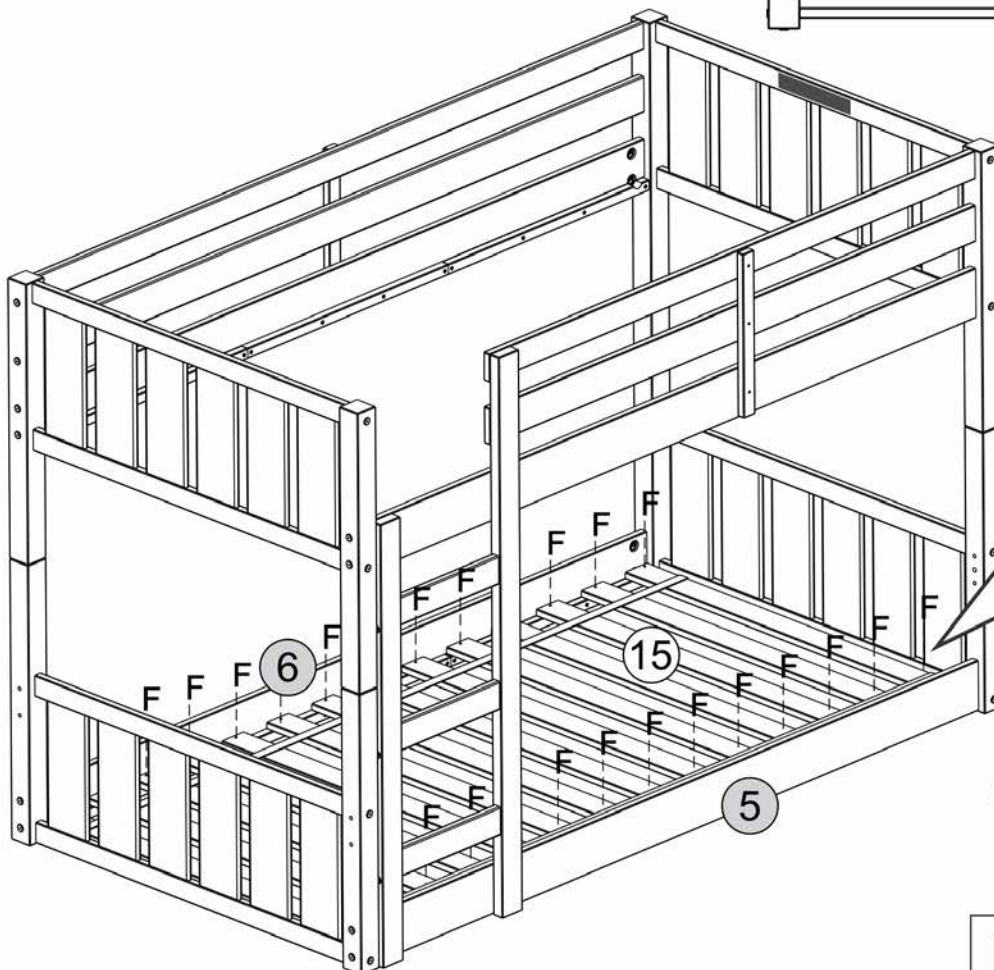
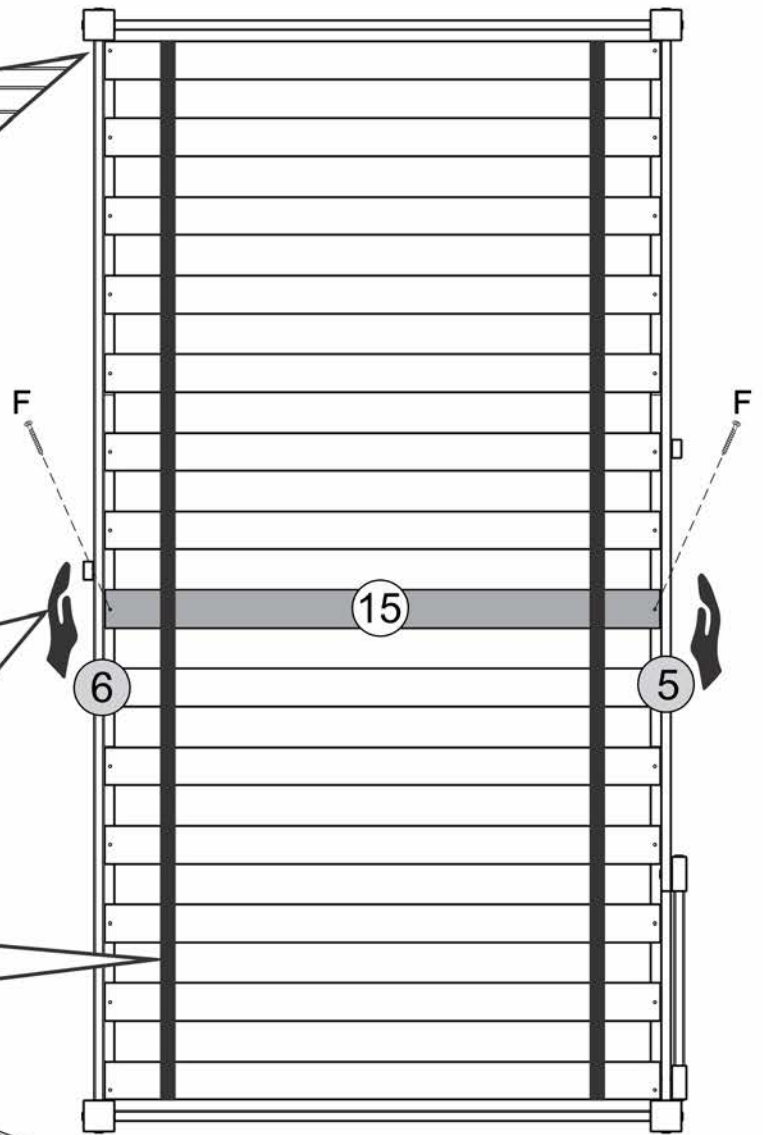
D		Bolt Ø7 x 100	06
H		Hex Key	02

# Step 15



Apply pressure to cross beams ( 5 and 6 ) to ensure that mattress supports ( 15 ) fit evenly between cross beams.

Install slat kit with spacer tape on top (Facing up).



Install slat kit ( 15 ) to bed rails ( 5 and 6 ) using screws ( F ).  
Spacer tape will face up.

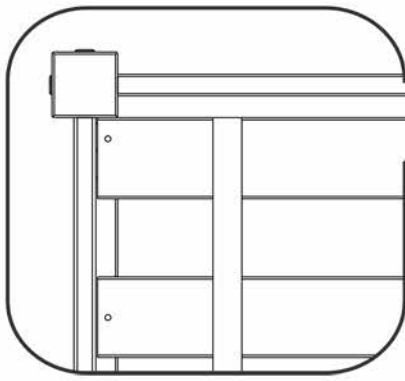
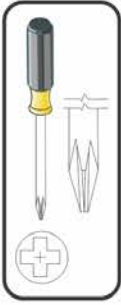
F



Screw Ø4,0 x 30

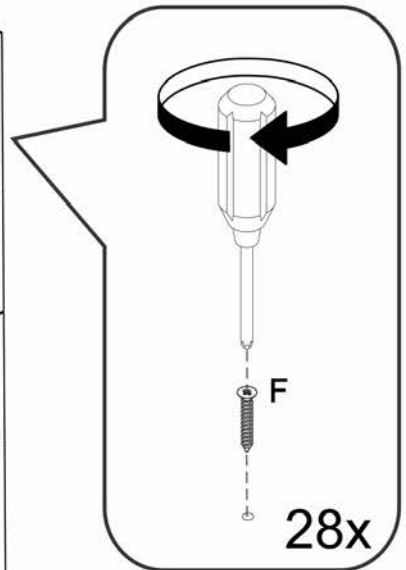
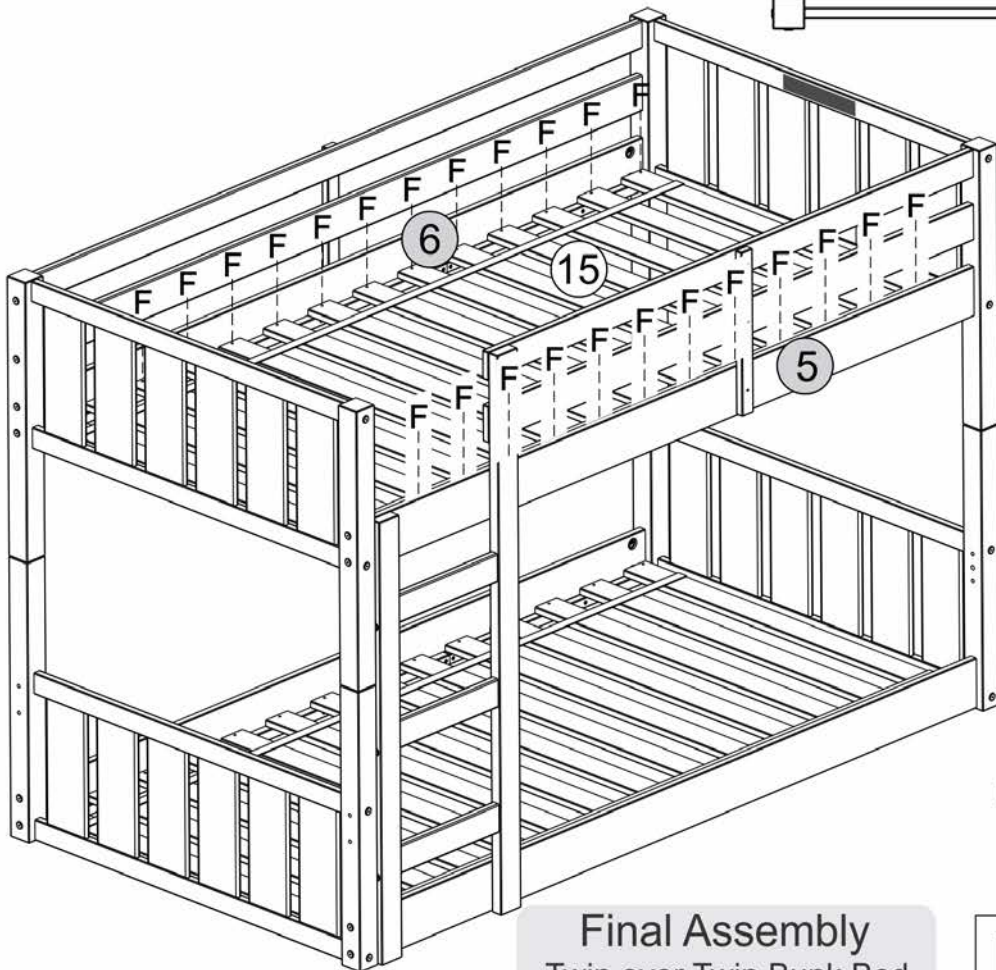
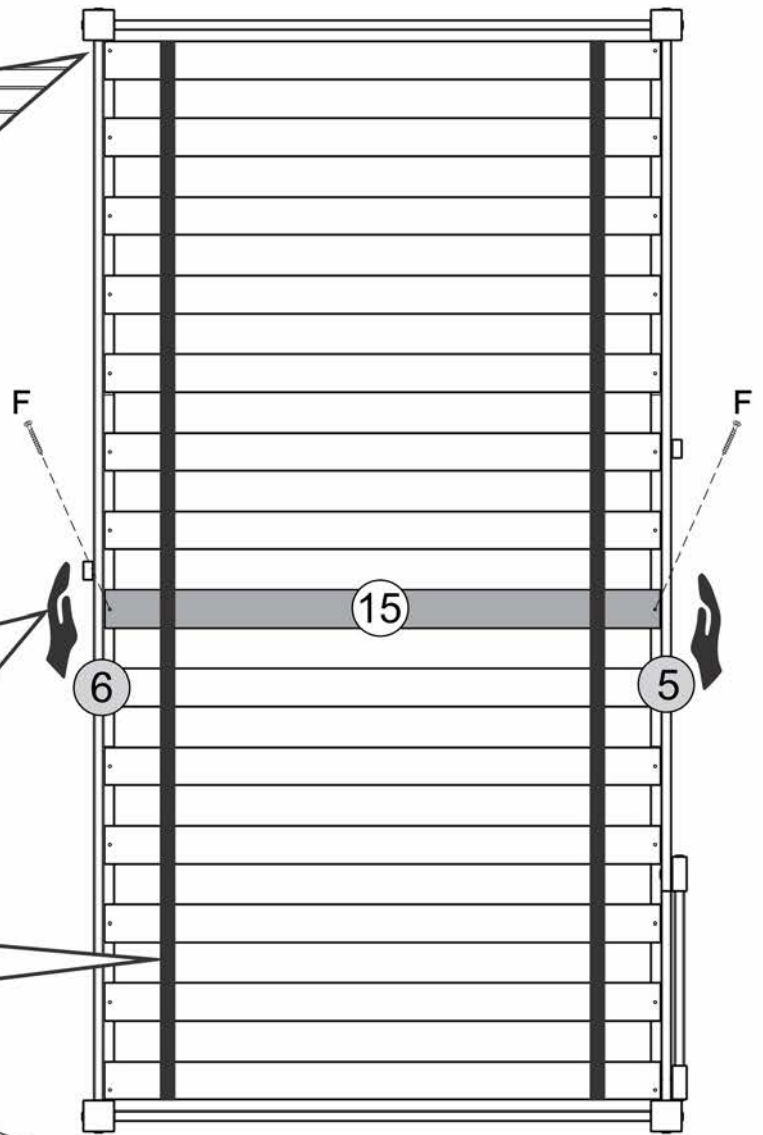
28

# Step 16



Apply pressure to cross beams ( 5 and 6 ) to ensure that mattress supports ( 15 ) fit evenly between cross beams.

Install slat kit with spacer tape on top (Facing up).



Install slat kit ( 15 ) to bed rails ( 5 and 6 ) using screws ( F ).  
Spacer tape will face up.

**Final Assembly**  
Twin over Twin Bunk Bed

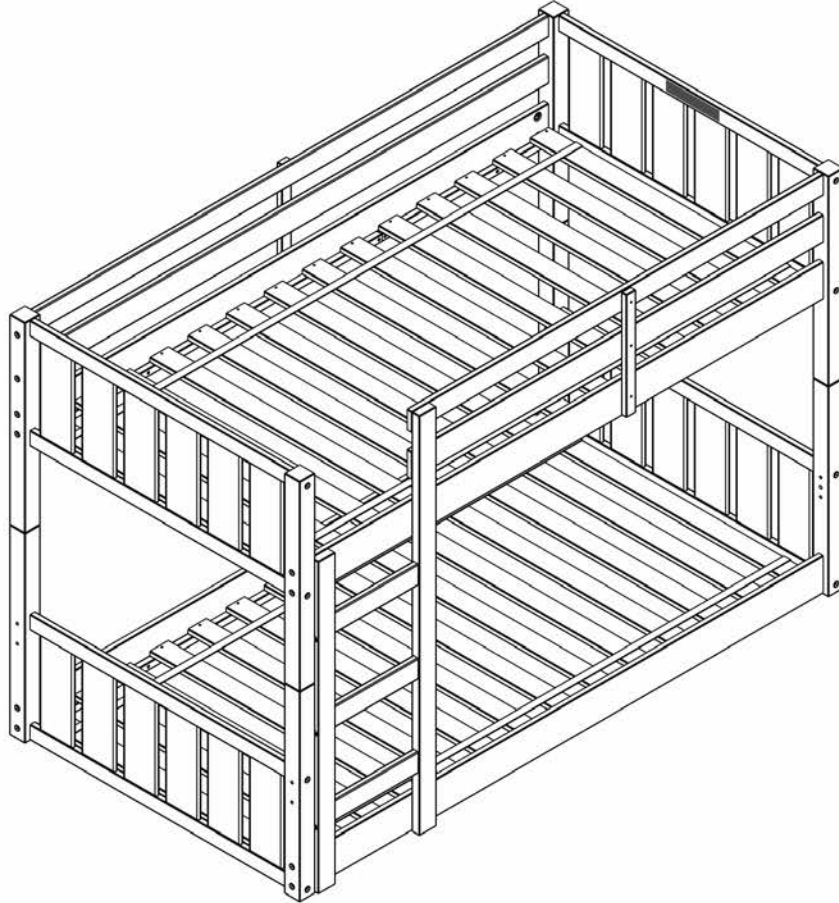
F		28 Screw Ø4,0 x 30
---	---	-----------------------

# Assembly Options

---

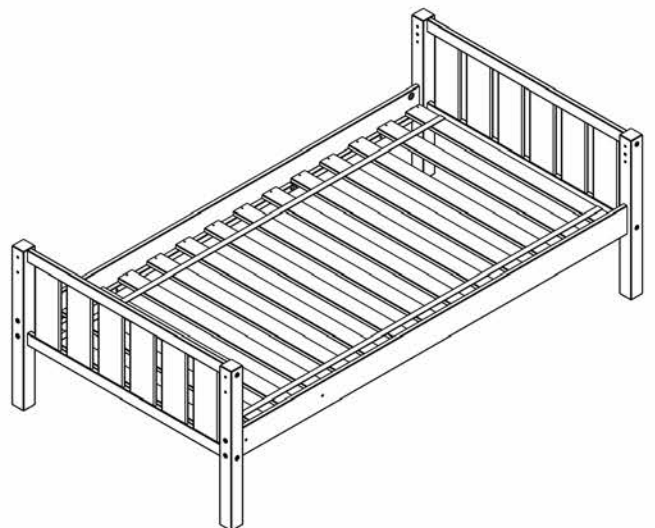
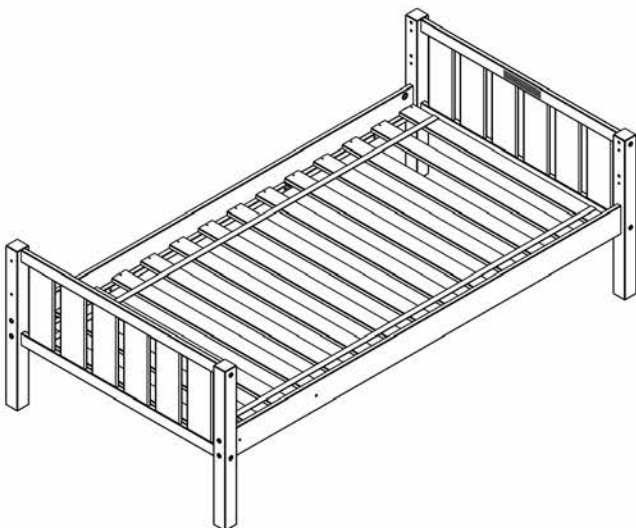
## Option A

Twin over Twin Bunk Bed

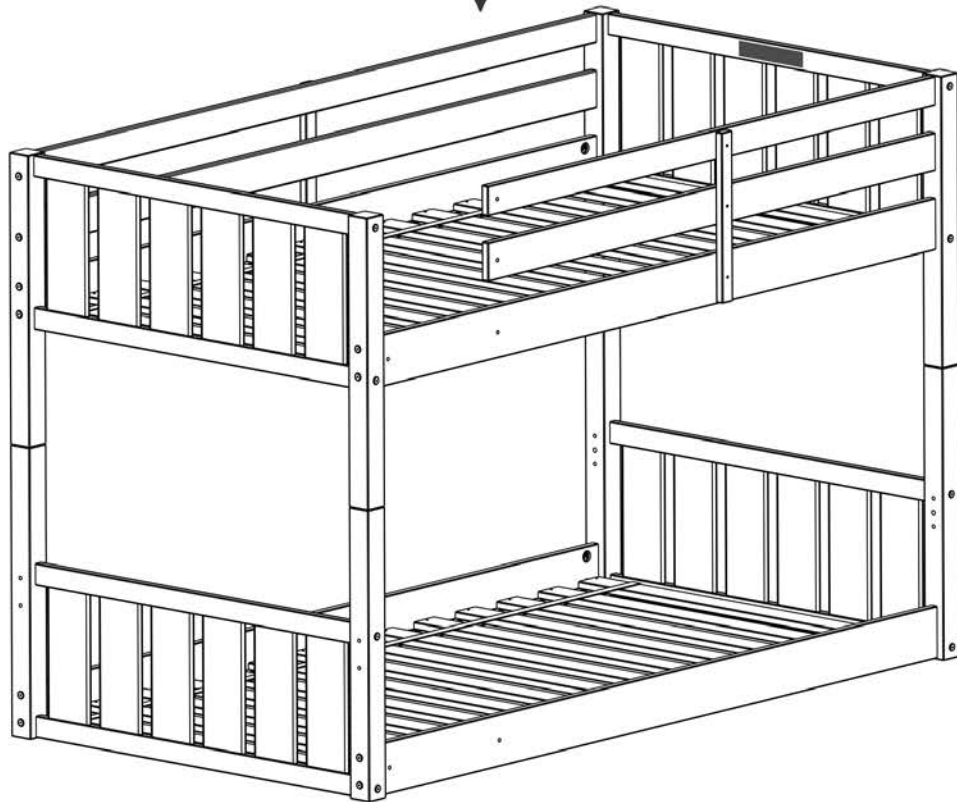
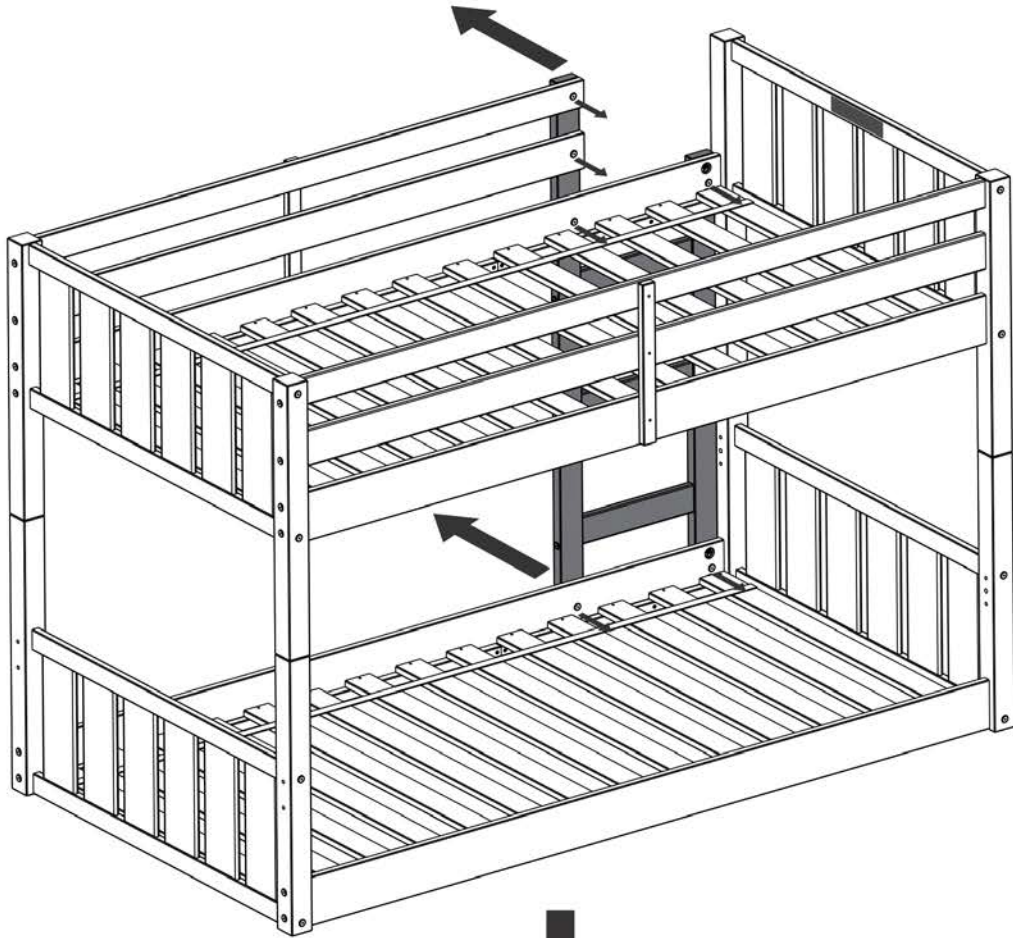


## Option B

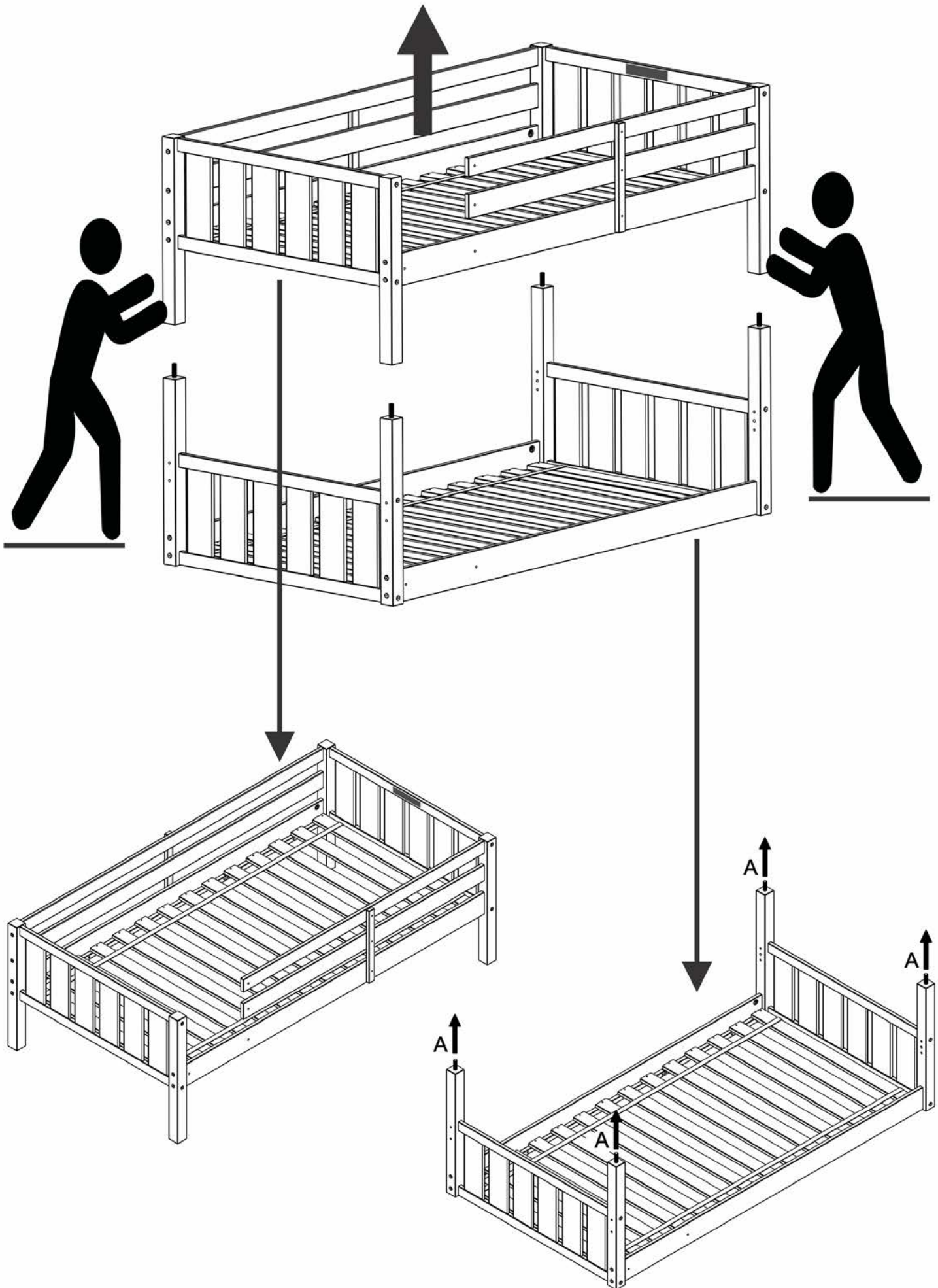
Conversion into Two Single Twin Beds



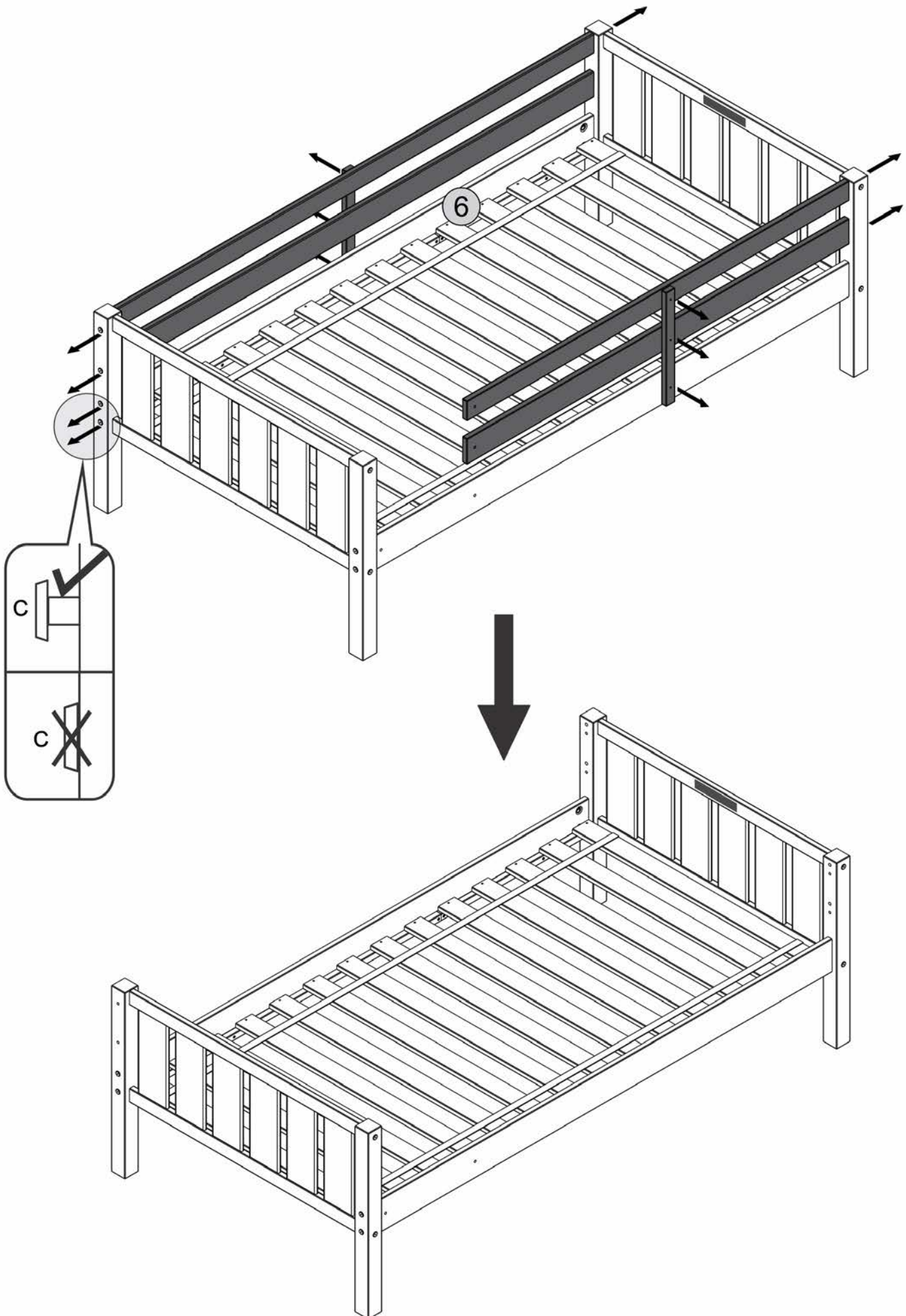
**Step 17** Loosen the appropriate hardware and remove the ladder from the bunk bed assembly.



**Step 18** Carefully lift the upper bunk off of lower bunk.  
Loosen the appropriate hardware ( A ).

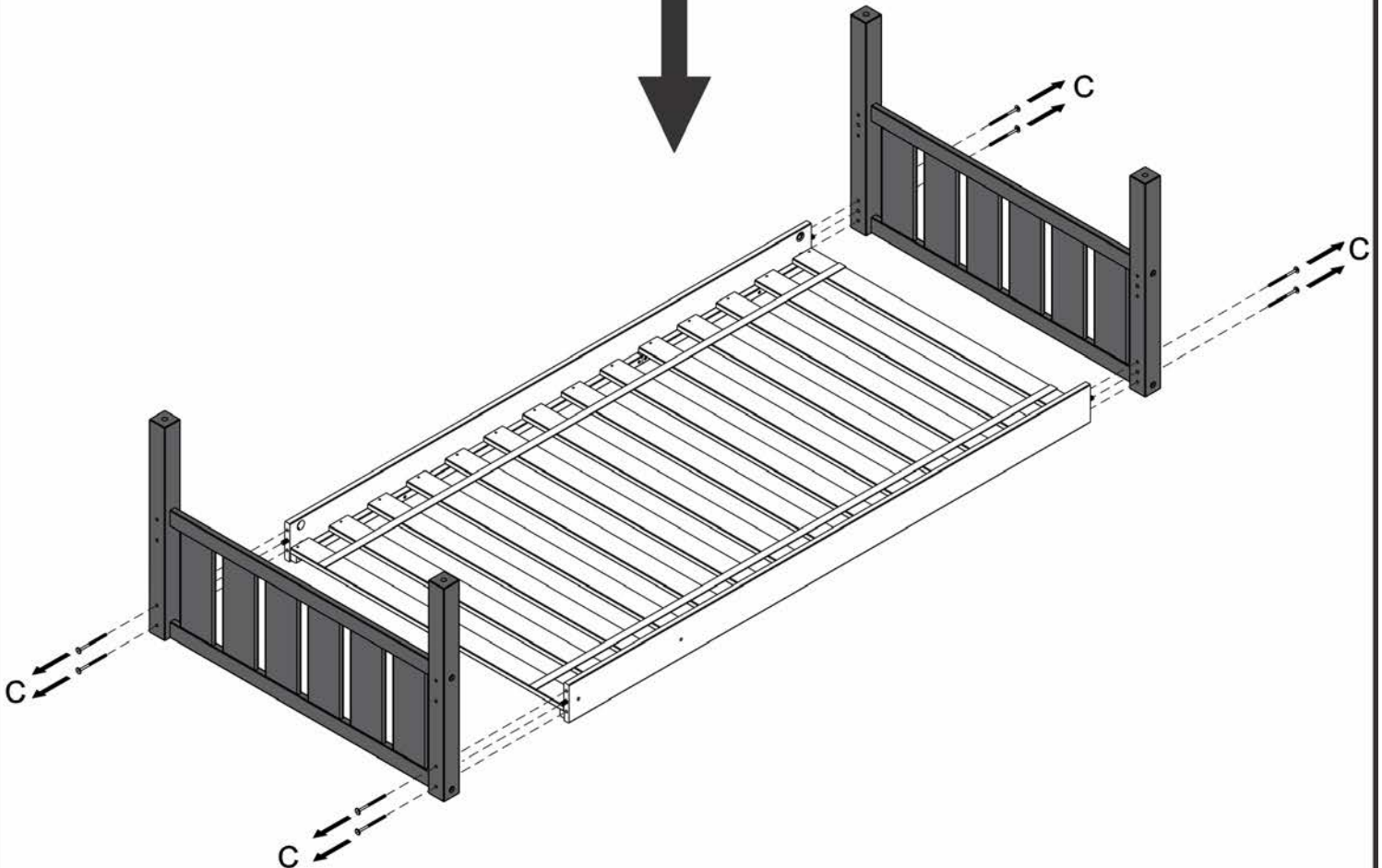
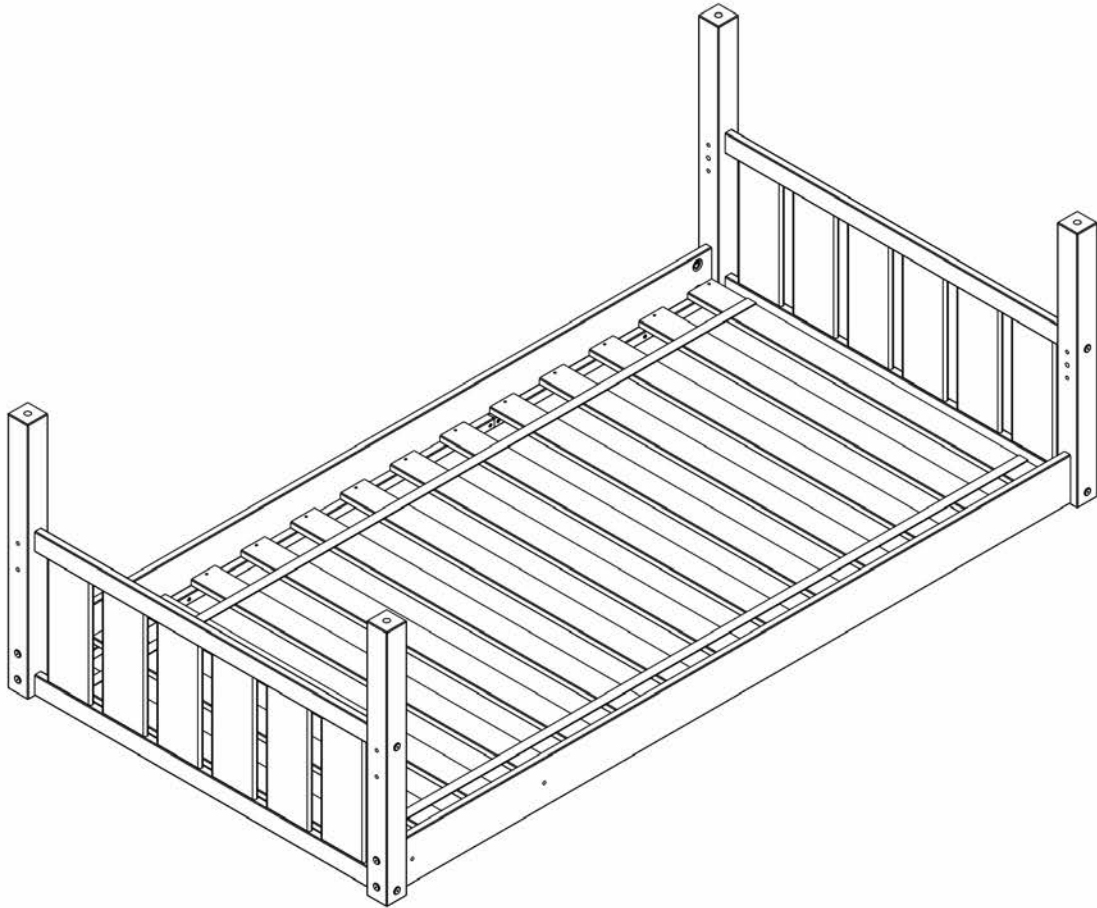


**Step 19** Loosen the appropriate hardware of the upper bunk so that the guardrails get go. Then tighten all bolts ( C ) in the Side Rail ( 6 ).



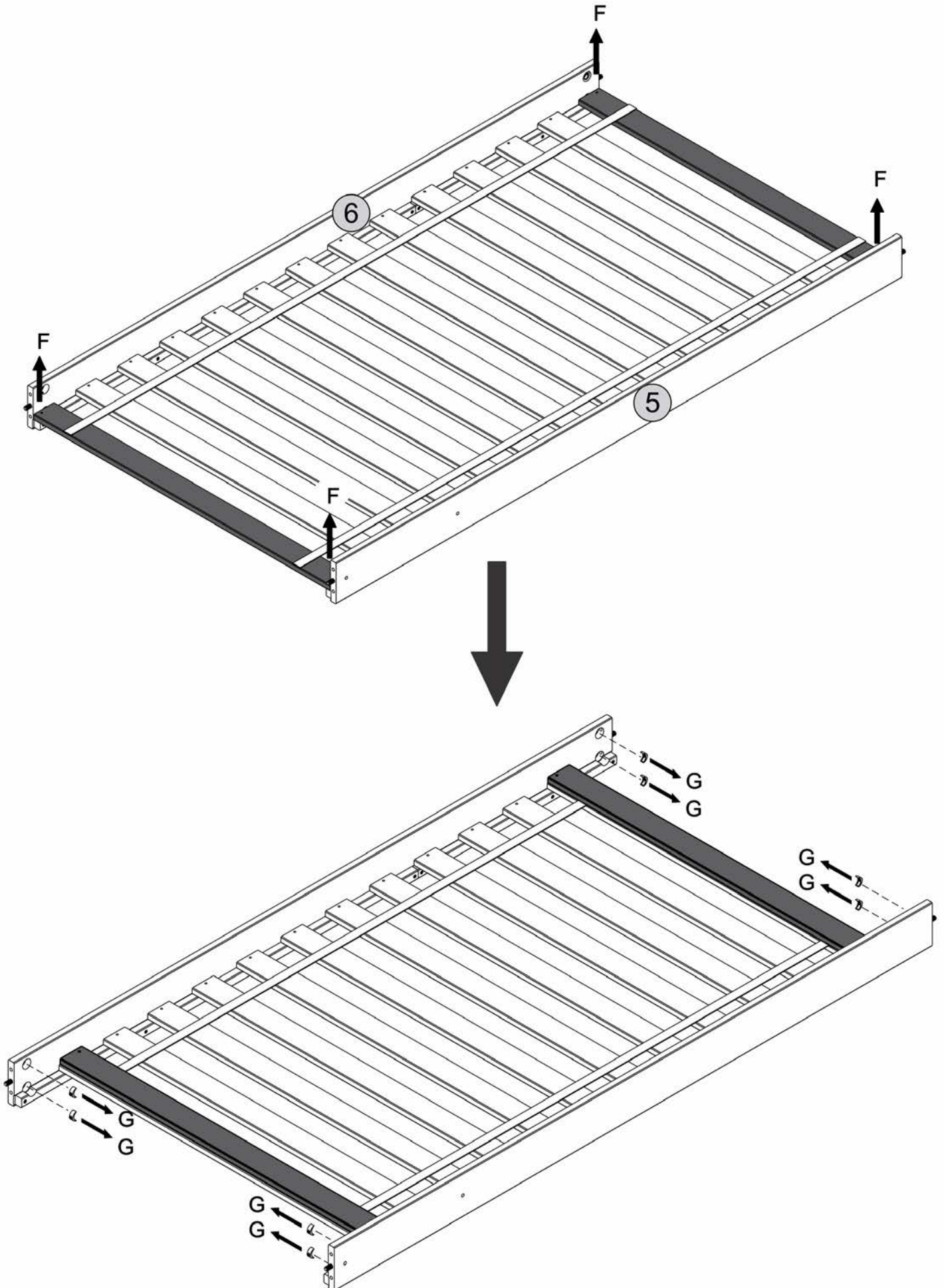
# Step 20

Loosen the appropriate hardware of the headboard and footboard.



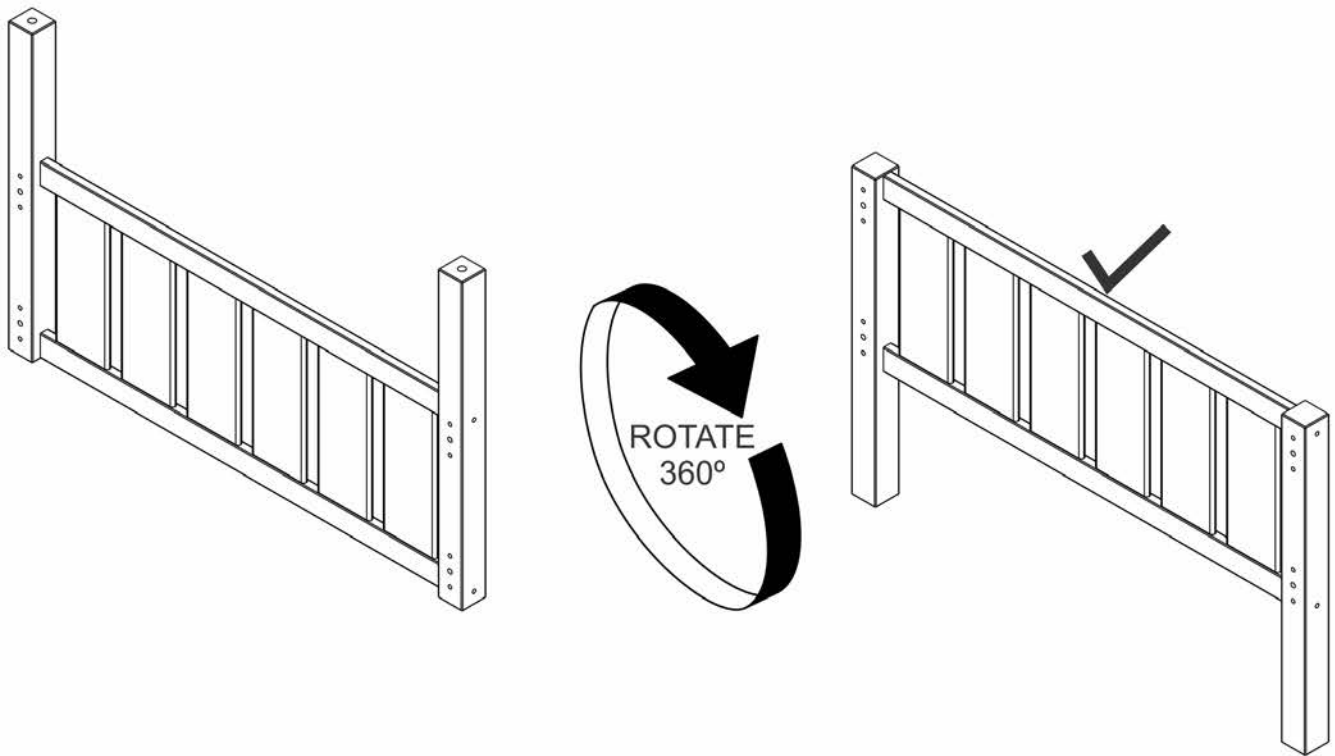
# Step 21

Loosen the appropriate hardware of the slat kit and side rails ( 5 and 6 ).  
Follow informations shown in diagram.



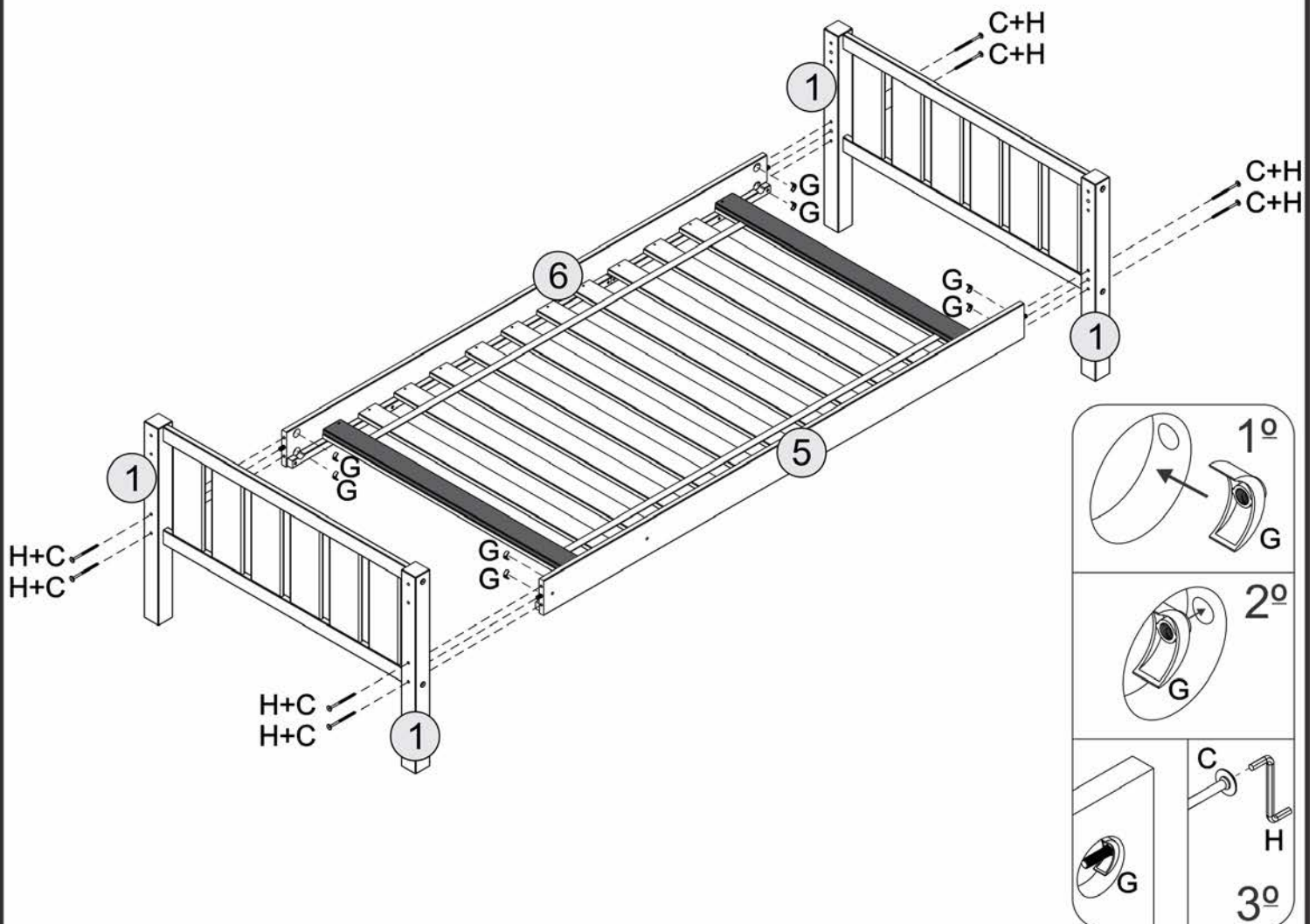
## Step 22

Rotate the headboard and footboard 360°. Follow informations shown in diagram.



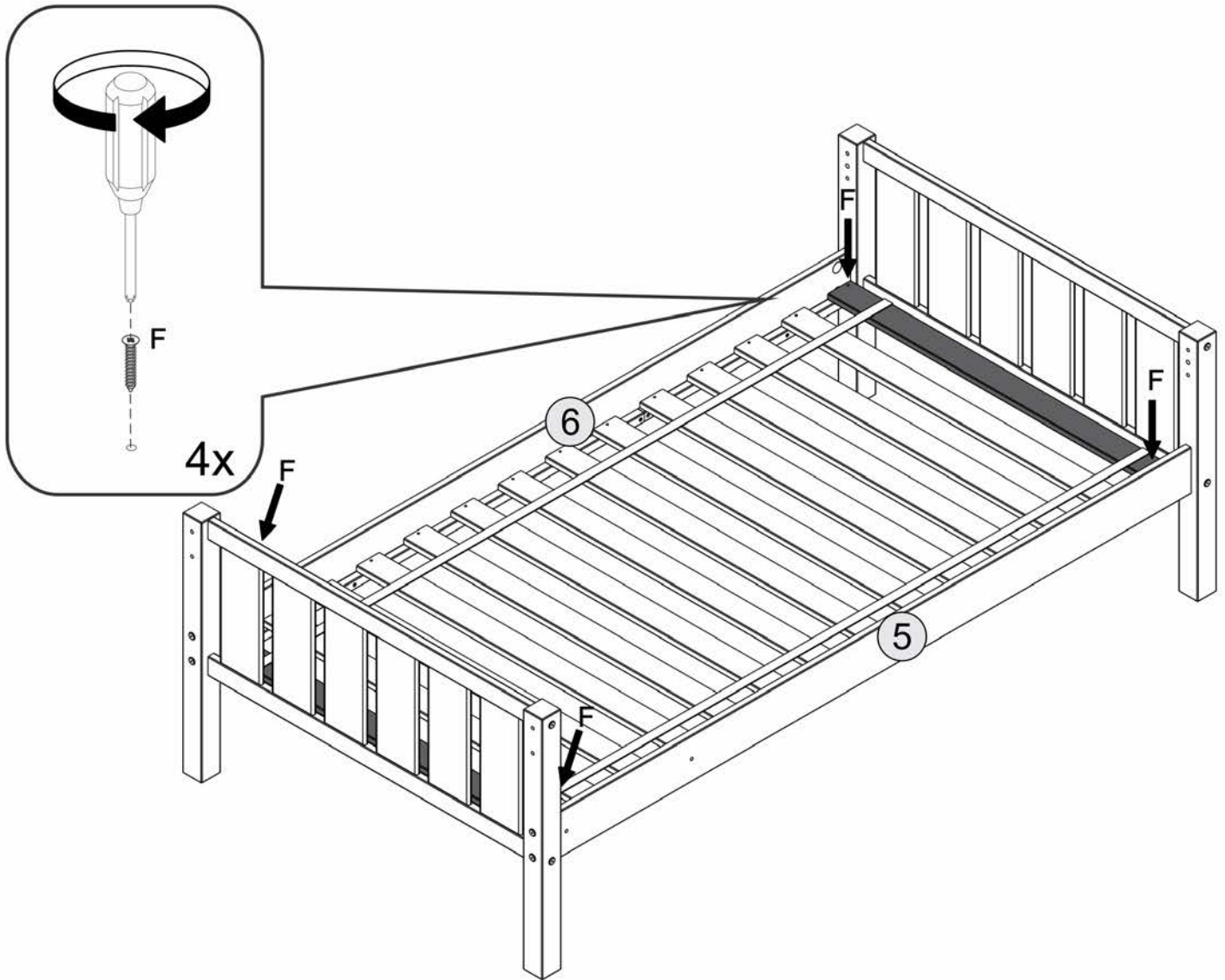
## Step 23

Insert half-moon nuts ( G ) into side rails ( 5 and 6 ). Attach side rails ( 5 and 6 ) to legs ( 1 ) using bolts ( C ) and Hex Key ( H ).

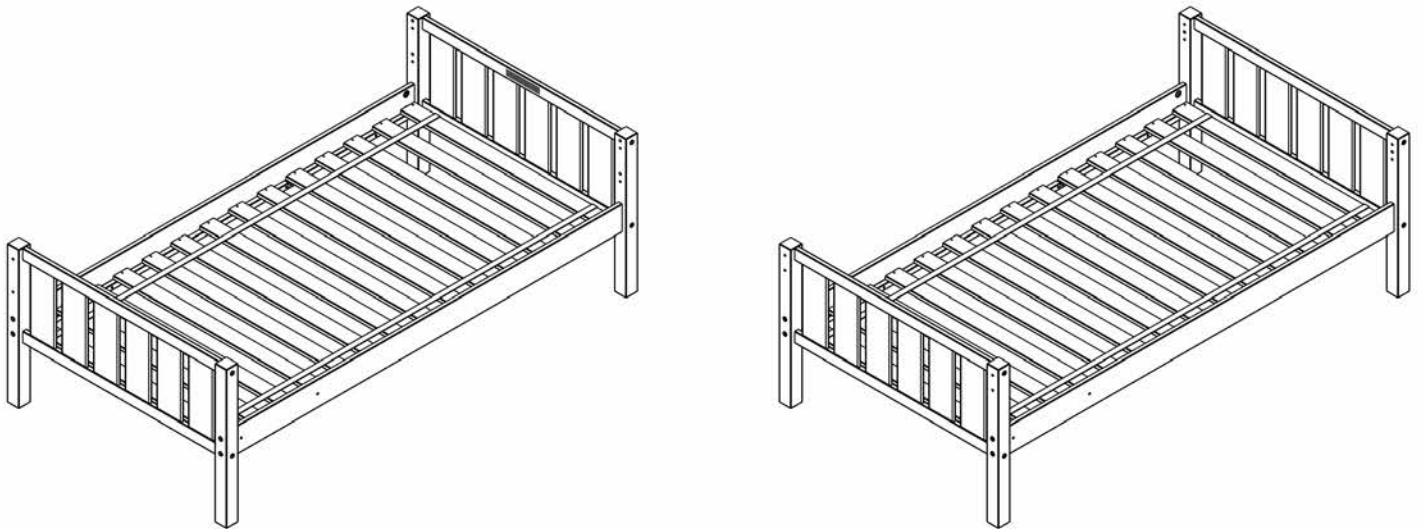


## Step 24

Install slat kit to bed rails ( 5 and 6 ) using screws ( F ).  
Follow informations shown in diagram.



## Step 25



Final Assembly  
Two Single Twin Beds