

## Dining Table Chair

---

### Tips!

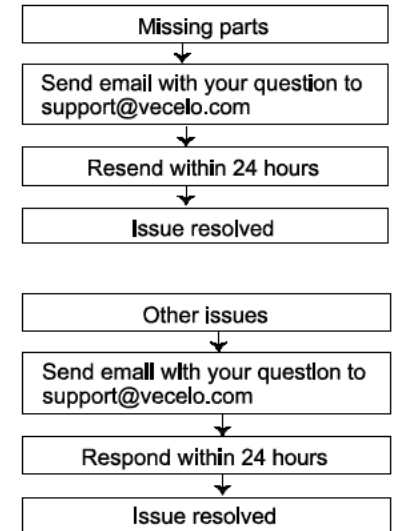
Check all the components & screws before assembly. **Do not install in case part is missing, contact us to get.** Send email with your question to [support@vecelo.com](mailto:support@vecelo.com). We will resend within 24 hours.

### Return Policy

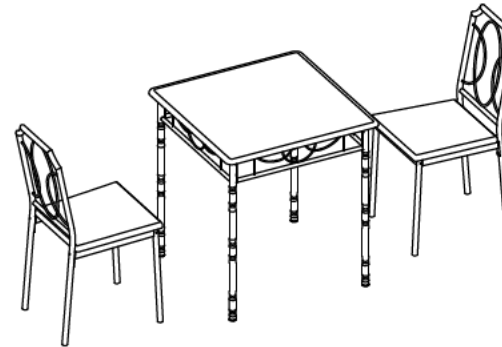
We believe you will absolutely love your new item. But if for some reason you want to return, please contact us directly before you decide to return your product.

The item must be returned within 30 days of delivery for a full refund. The item must be returned in good condition, in original box, with all original proof of purchase, parts and accessories.

### Trouble shooting:



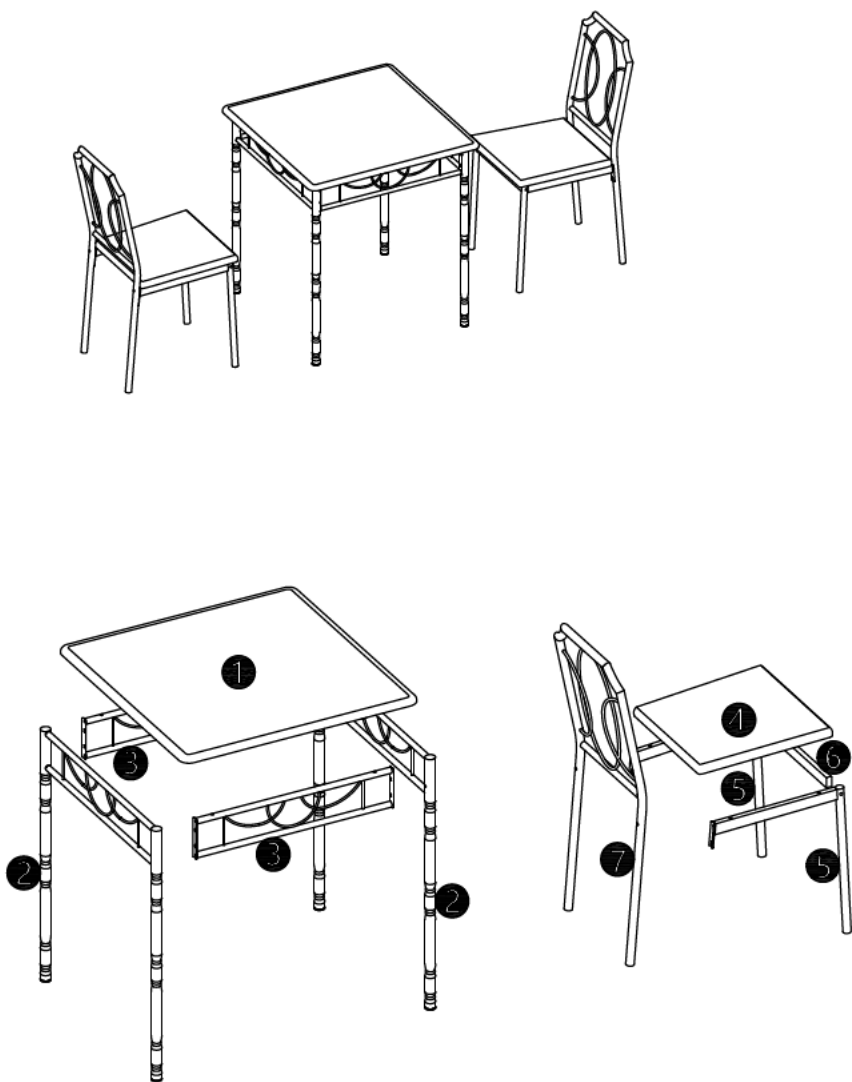
We control manufacturing and distribution ourselves, ensure the quality.



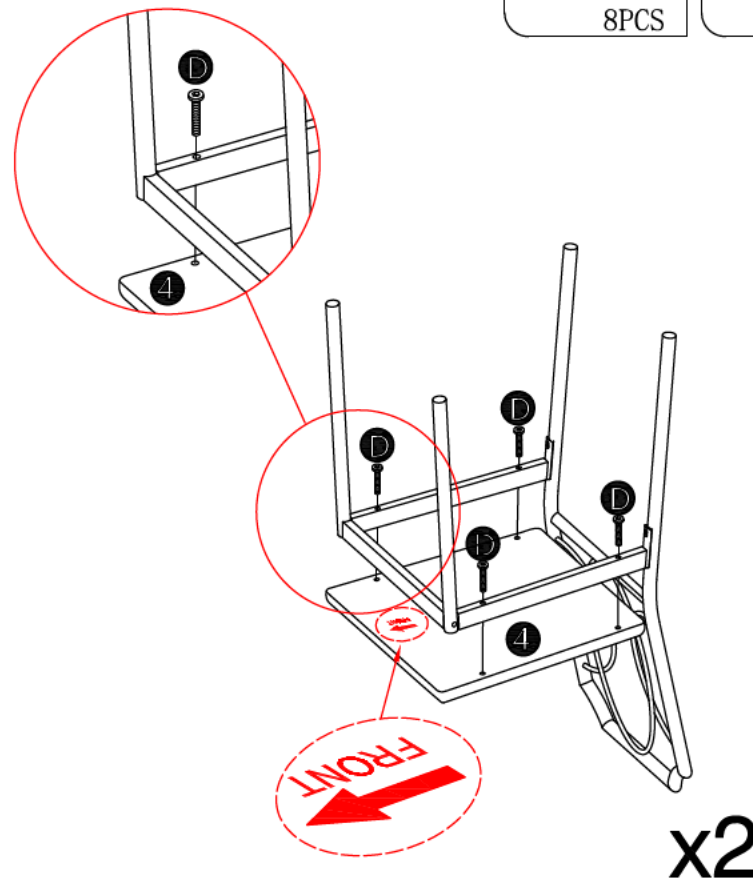
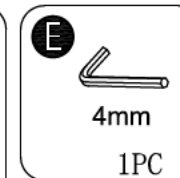
Item Description: Dining Table Chair

### #Number System

Follow the marked steps for the easiest assembling process  
step 1 step 2 step 3 step 4...

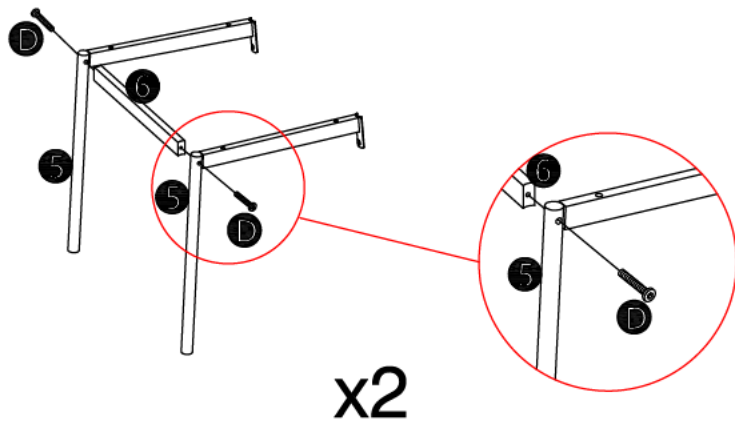
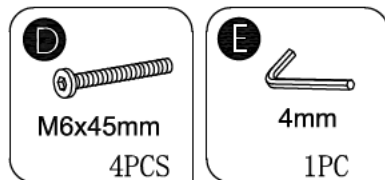


### Step 5:

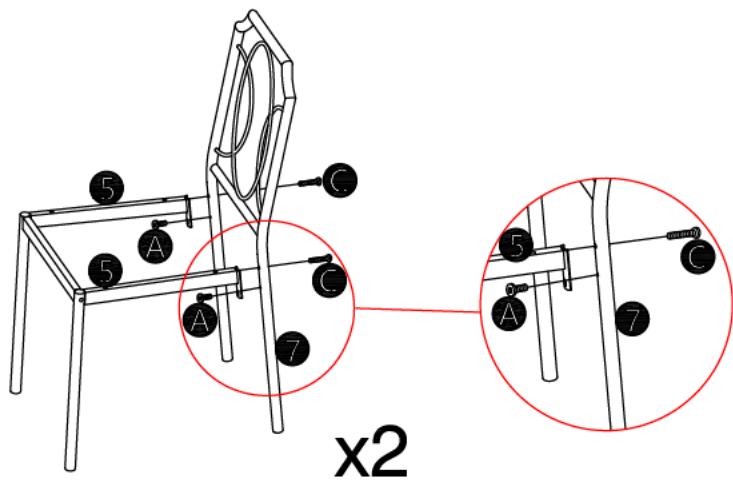


Note:  
Check and tighten all screws

Step 3:





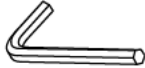


Step 4:

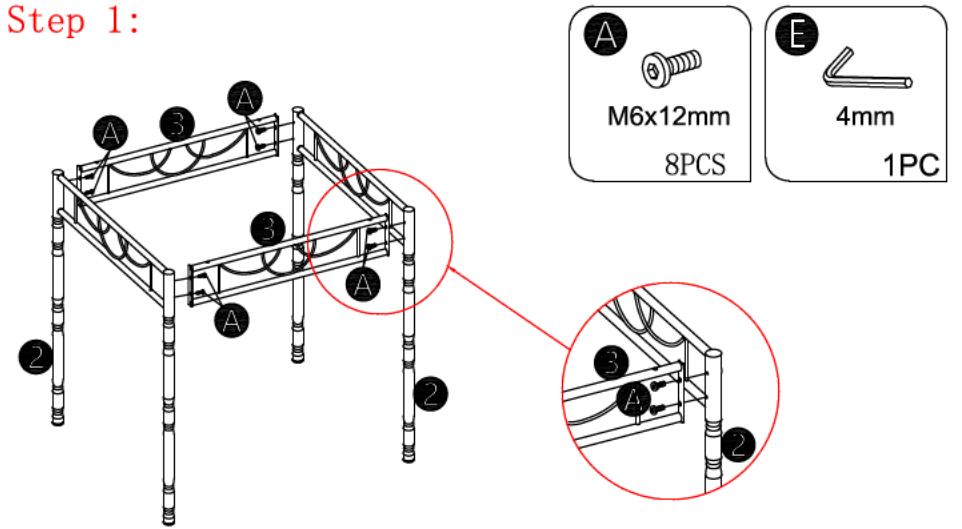


Components

1	 700*700mm	1pc	2		2pcs
3		2pcs	4	 365/395*390mm	2pcs
5		4pcs	6		2pcs
7		2pcs			

A	 M6x12mm	12pcs	B	 M6x24mm	4pcs
C	 M6x30mm	4pcs	D	 M6x45mm	12pcs
E	 4mm	1pc			

## Step 1:



Note: For easy setup intention,  
do not tighten screws during  
the installation process

## Step 2:

