



INSPIREDHOME®

NCT197-09 Assembly Instructions

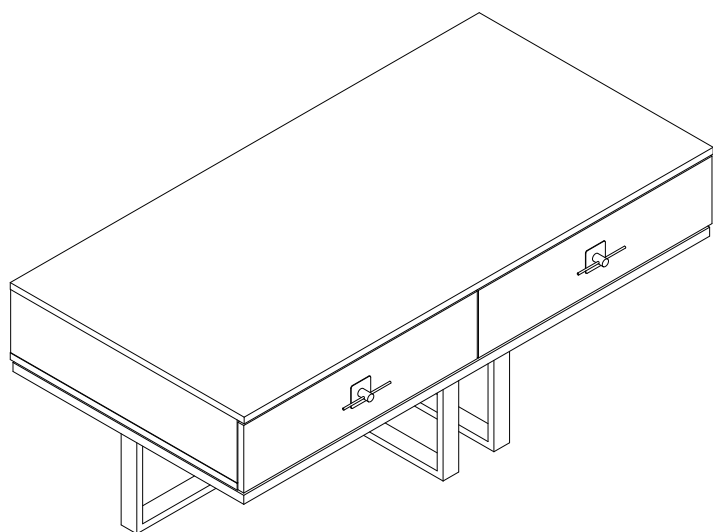
MANDISA

Parts

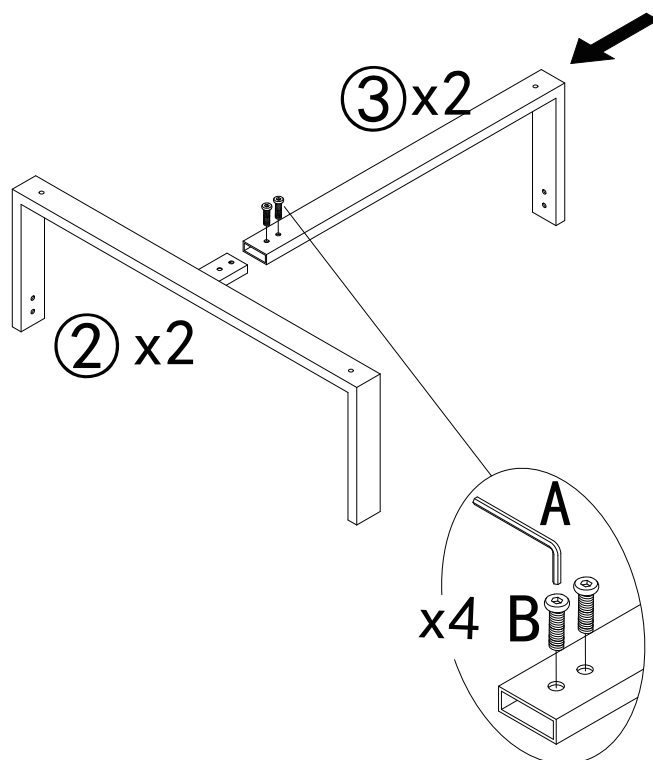
NO.	Picture	Description	Size(cm)	QTY
1		Top Panel	120x59.8x17	1
2		Frame	50.9x20.4x4	2
3		Frame	55.8x20.4x4	2
4		Iron Square	119x59x7	1

Hardware

NO.	Picture	Description	Size(mm)	QTY
A		Allen Key	M4	1
B		Bolt	M6x10	16
C		Bolt	M6x15	6
D		Washer	M6x18	6
E		Adjustable feet	M6+Ø23x7	4



STEP:1



Overall Size:47.24"x23.62"x15.75"H

Do not tighten bolts until all screws are aligned then fully tighten

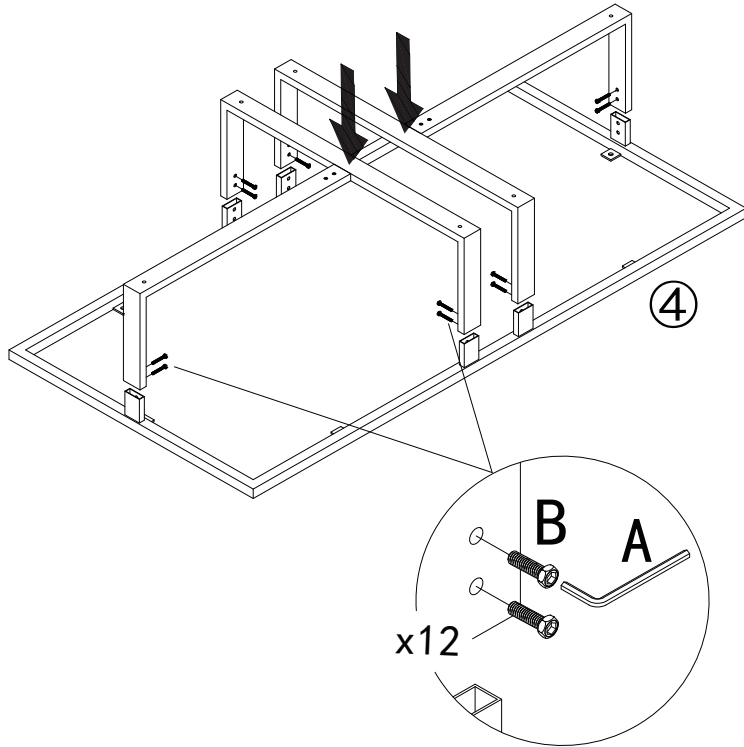


INSPIREDHOME[®]

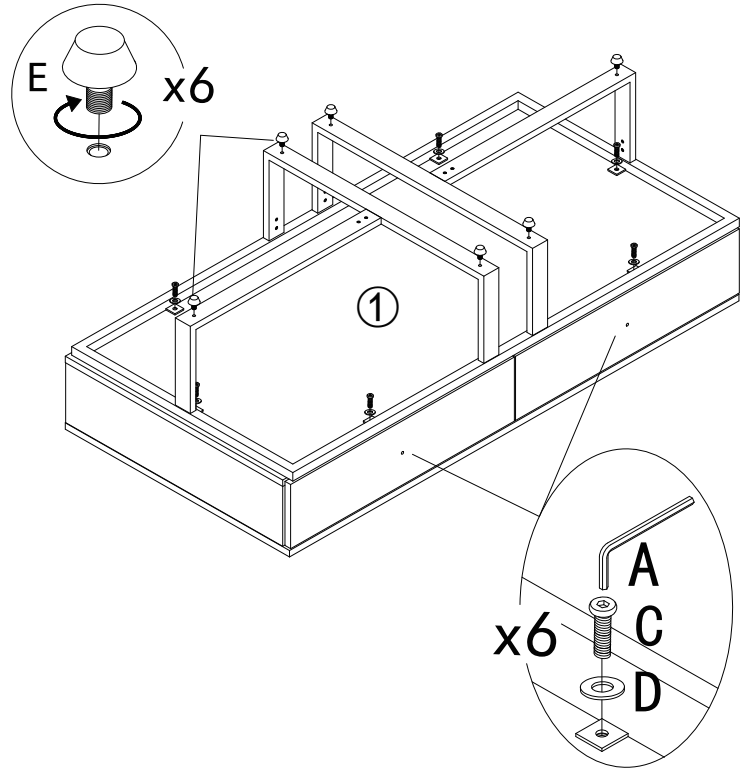
NCT197-09 Assembly Instructions

MANDISA

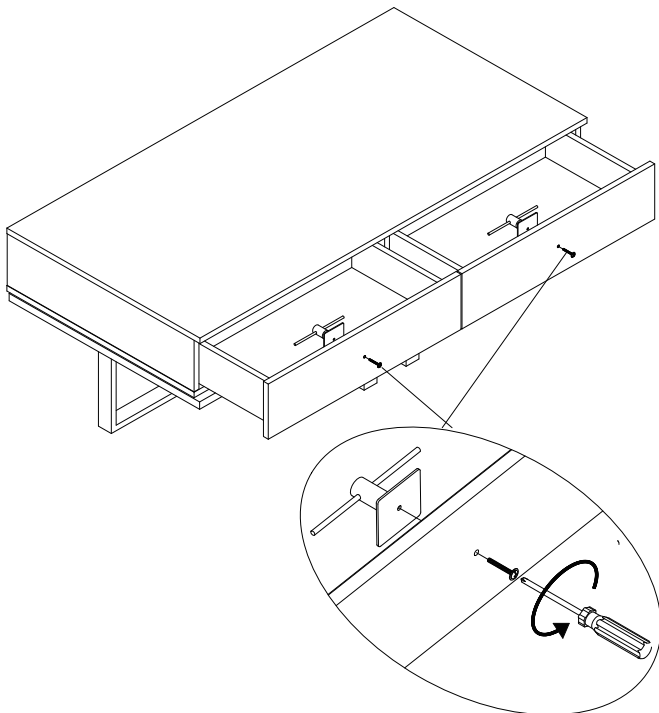
STEP:2



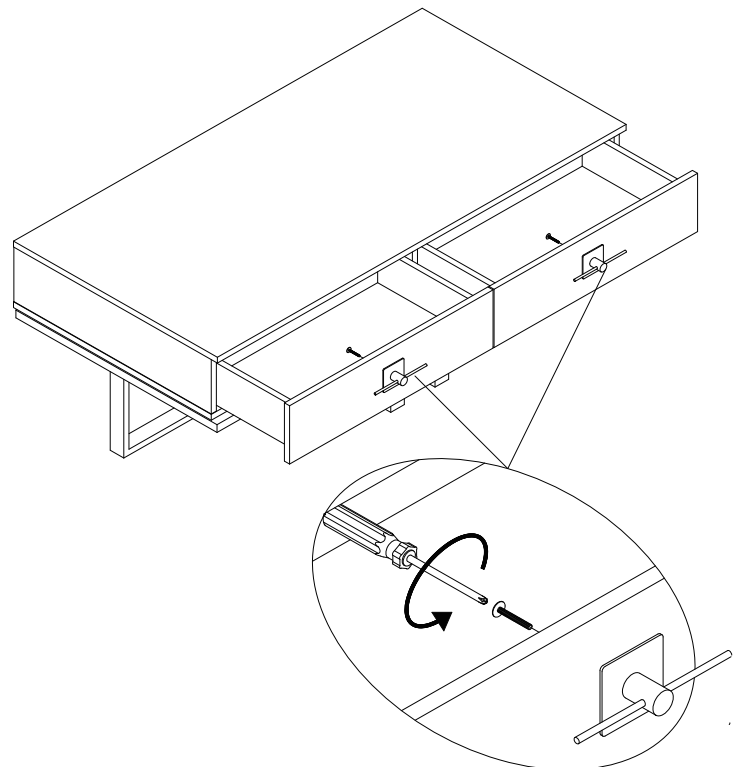
STEP:3



STEP:4



STEP:5



Overall Size:47.24"x23.62"x15.75"H

Do not tighten bolts until all screws are aligned then fully tighten