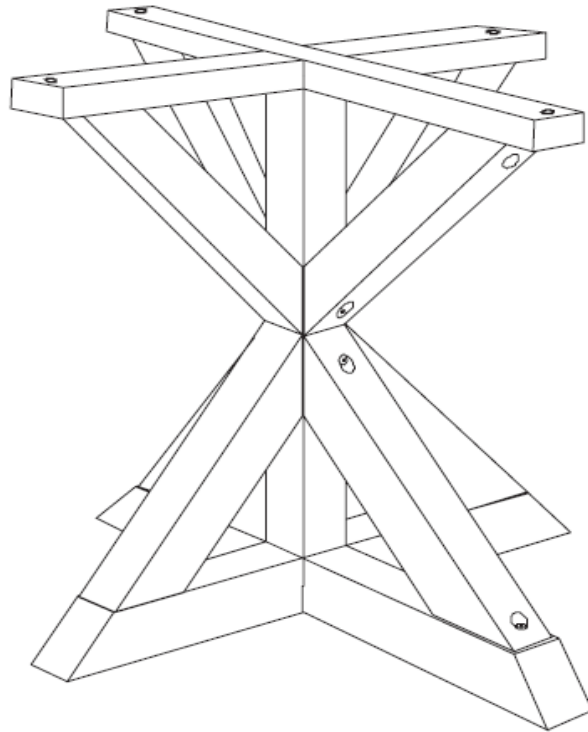

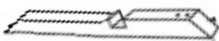










Assembly Instructions



PARTS LIST:

P2	MAIN TABLE FRAME		1 PC
P3	BASE BAR		1 PC
P4	LEG STRETCHERS		4 PCS
P5	MOUNTING BAR		1 PC

HARDWARE LIST:

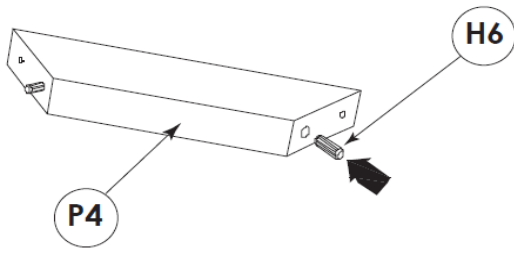
H1	M6 x 45mm JCBC SCREW		6 PCS
H4	ADJUSTABLE GLIDE		4 PCS
H5	ALLEN KEY (SHARE USE)		1 PC
H6	WOODEN DOWEN M8 x 30mm		8 PCS
H7	WOOD BUTTON		8 PCS
H8	M6 x 35mm JCBC SCREW		2 PCS

STEP 1

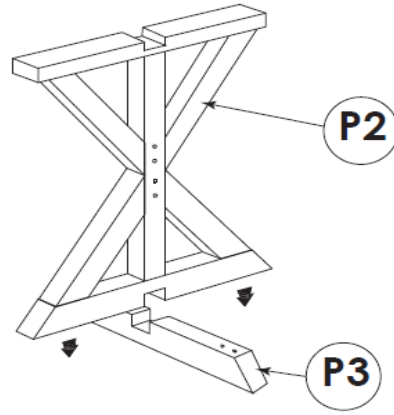
H6 x 8



M8 x 30mm



STEP 2

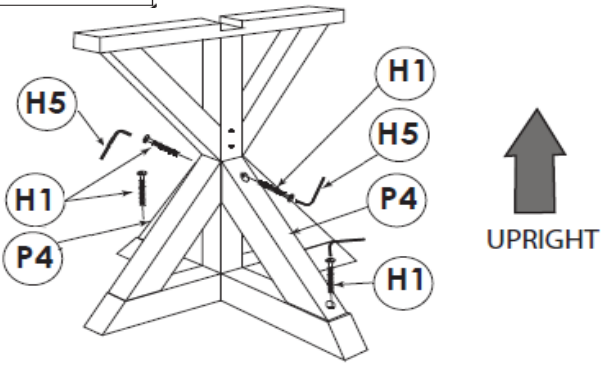


STEP 3

H1 x 4



M6 x 45mm

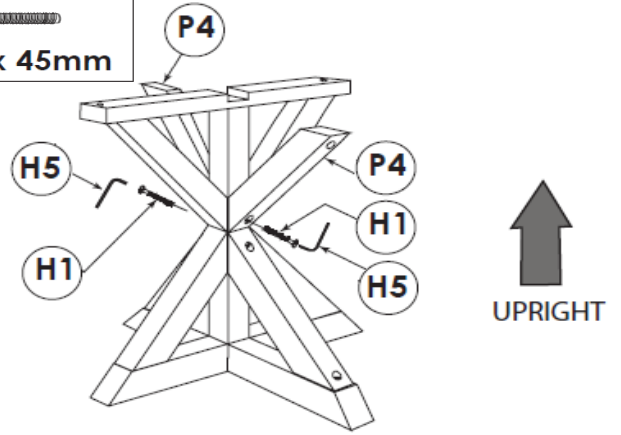


STEP 4

H1 x 2



M6 x 45mm

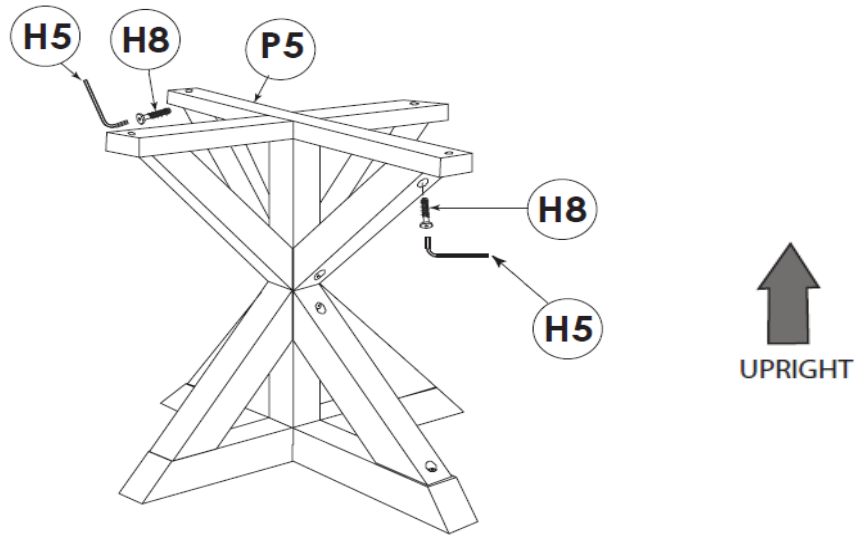


STEP 5

H8 x 2



M6 x 35mm

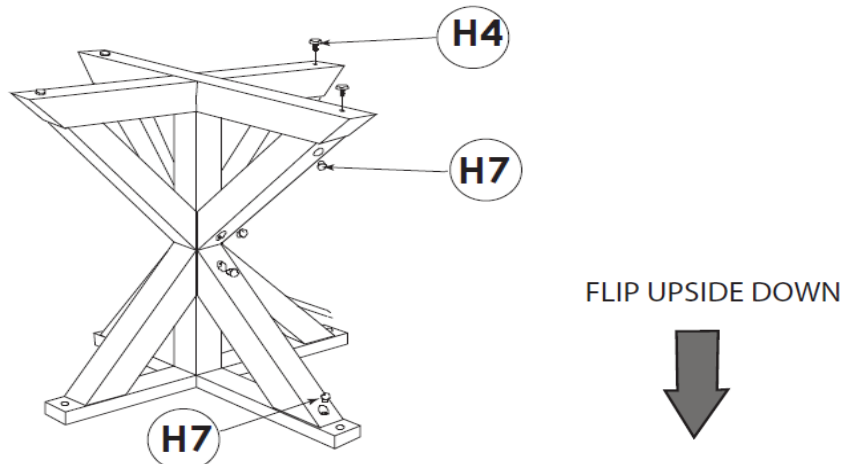


STEP 6

H4 x 4



H7 x 8



FLIP UPSIDE DOWN

