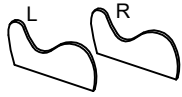


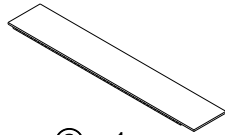
# ASSEMBLY INSTRUCTION



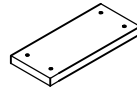
① x 1



② x 1



③ x 1



⑤ x 2



⑥ x 4



⑦ x 4



8 x 4



A x 32



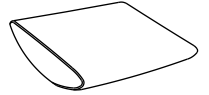
B x 32



C x 1

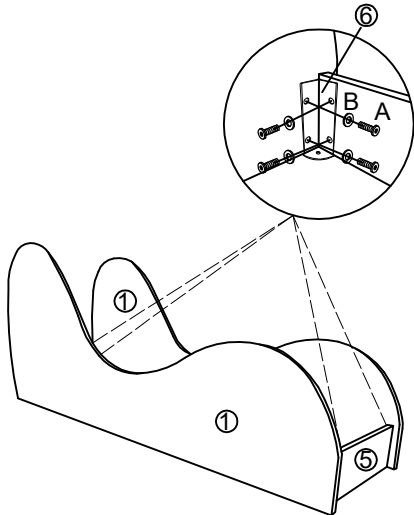


D x 1

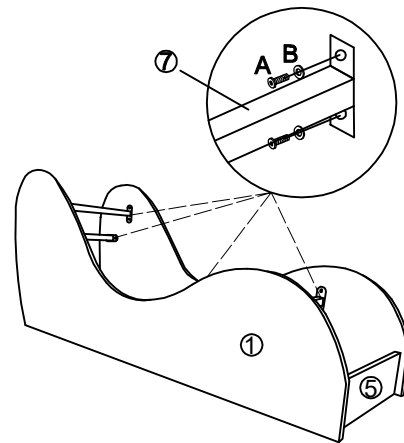


E x 1

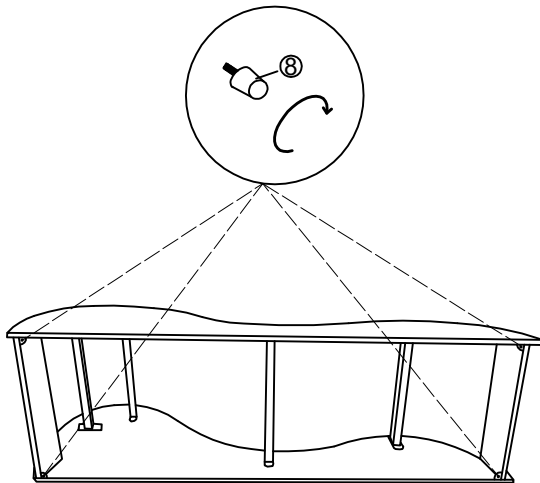
## Step1



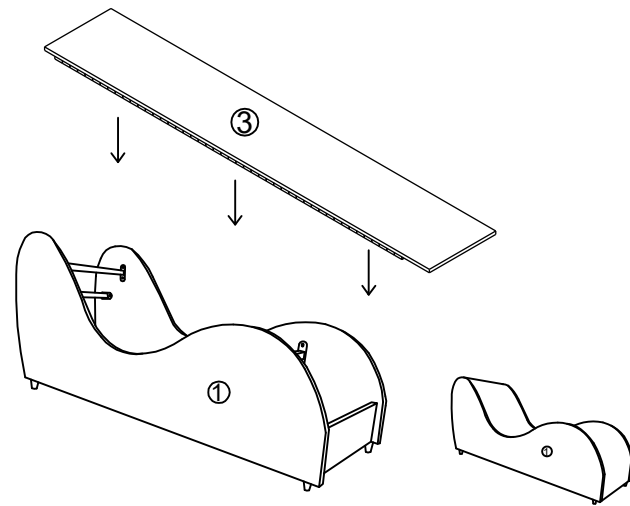
## Step2



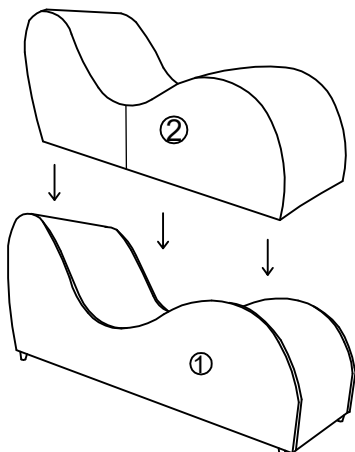
## Step3



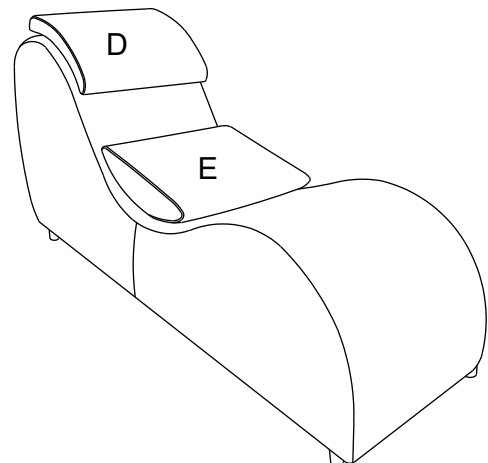
## Step4



## Step5



## Step6



The bottom of the yoga cover is equipped with a Velcro, which needs to be pressed once to fix the yoga cover for better experience.