

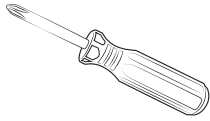
# USER MANUAL

---

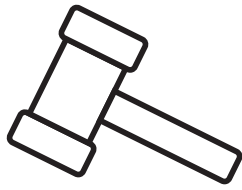




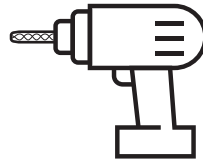
# TOOLS REQUIRED



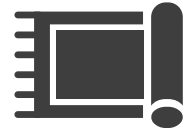
Phillips screwdriver  
(Not included )



Hammer  
(Not included)



Drill  
(Not included)



Protective blanket  
(Not included)



---

## ATTENTION

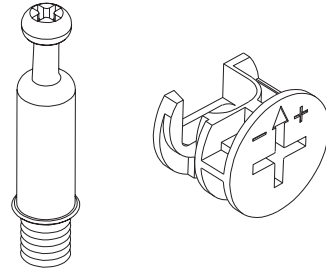
Keep children and pets away while assembling.



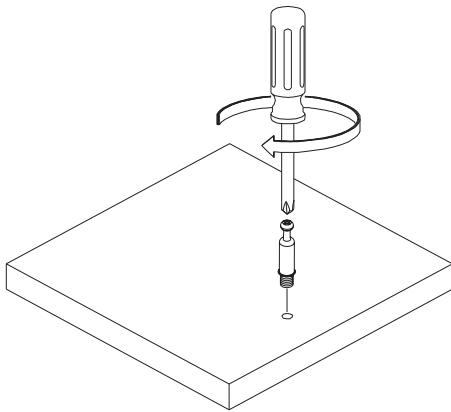
# How to use cam locks

## CAM LOCK FASTENING SYSTEM

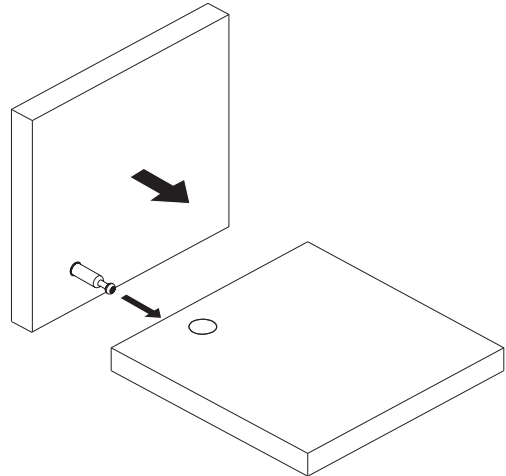
The cam lock fastening system will be used throughout the assembly process.



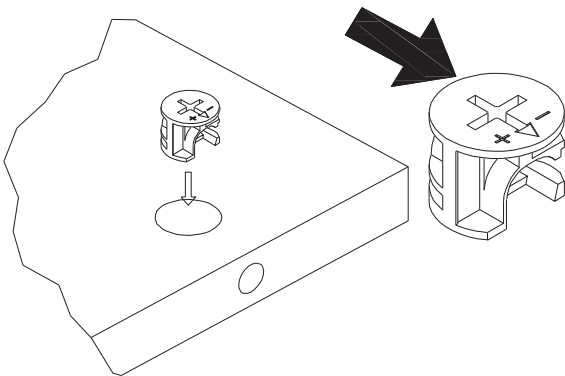
1



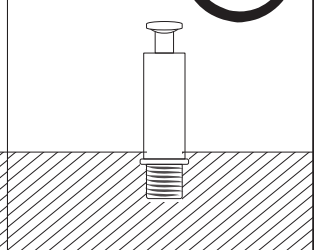
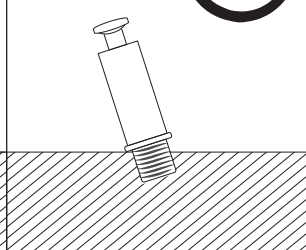
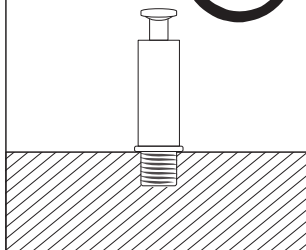
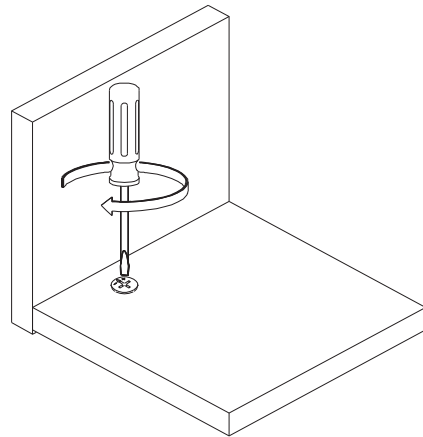
2



3



4



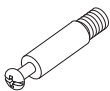

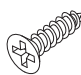
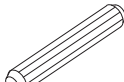
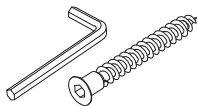
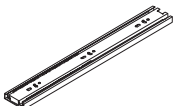




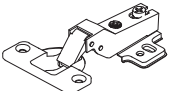

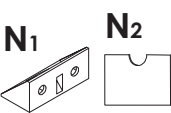

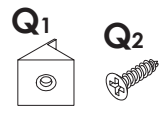
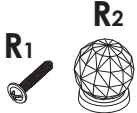
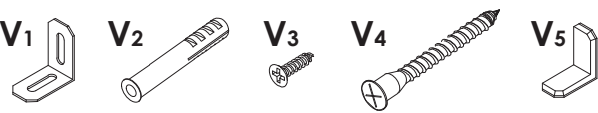
# INTRODUCTION

Thank you very much for choosing our wardrobe. Please read the instruction carefully before assembly and keep it for future reference. If you need further assistance on assembly, please contact our customer service through email.

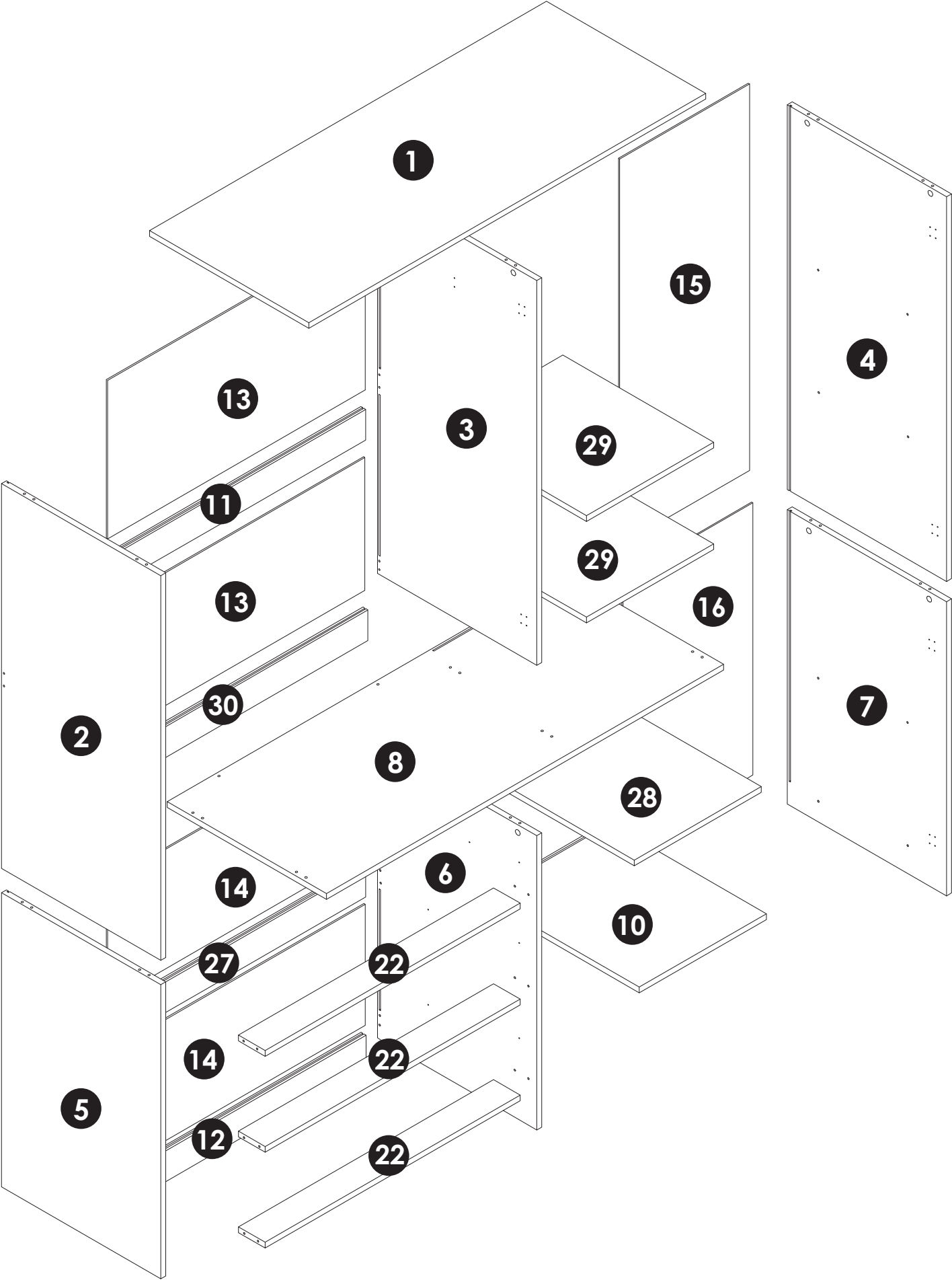
## Tips:

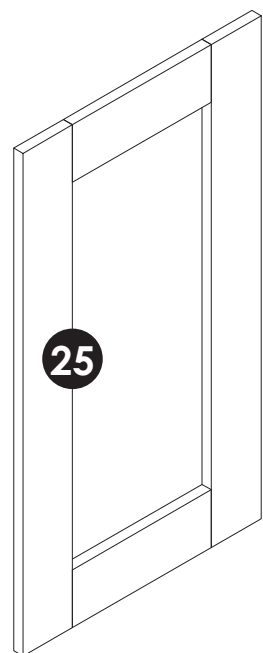
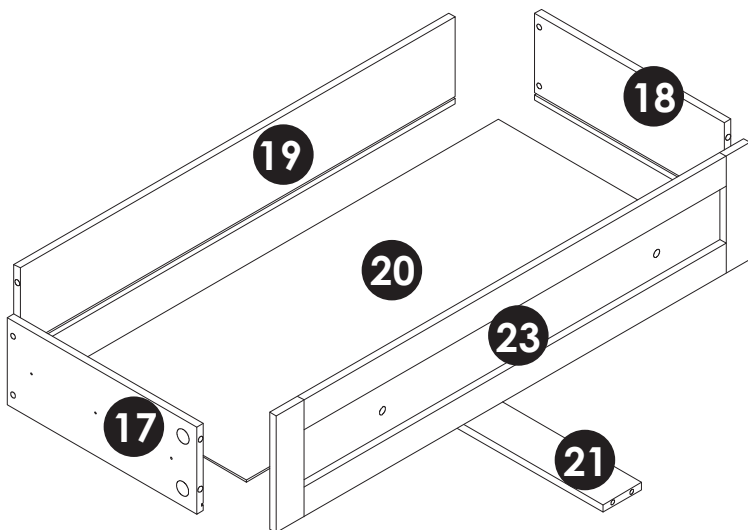
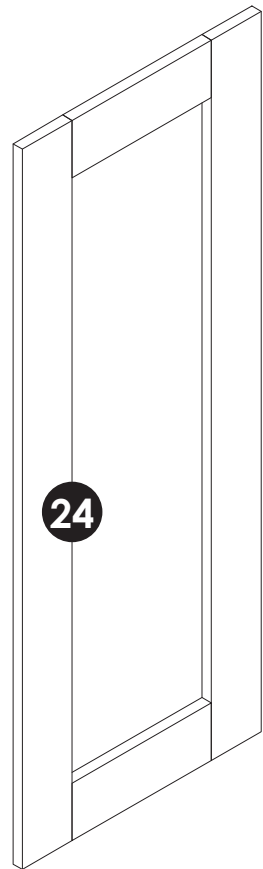
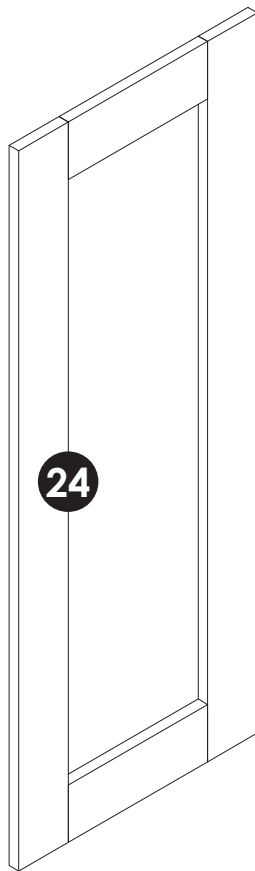
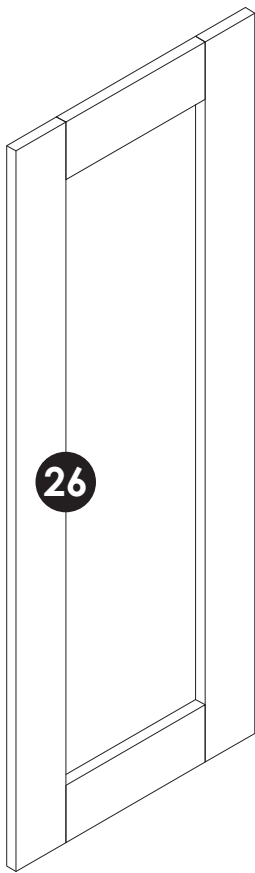
1. When installing the product, use a soft underlay (such as carpet or cardboard) to avoid scratching or damaging the surface of the product.
2. Don't tighten screws completely at first, just in case parts were assembled wrong and need disassemble. Tighten screws at last when all parts are put together.
3. The structure of this product can not meet the requirements of the placement of heavy items and children climbing.

## HARDWARES LIST

<b>A</b> x76  M6*40mm	<b>B</b> x76  M15*11mm	<b>C</b> x72  M3.5*14mm	<b>D</b> x18  M8*40mm	<b>E</b> x24  M5*40mm	<b>F</b> x6  12 inches
<b>G</b> x2 	<b>H</b> x1 		<b>J</b> x4  M4*20mm	<b>K</b> x18  M3.5*12mm	
<b>L</b> x8 	<b>M</b> x6 	<b>N</b> x1 	<b>P</b> x78 	<b>Q</b> x36  M3*16mm	<b>R</b> x6  M4*10mm
<b>V</b> x2 					

# PRODUCT ASSEMBLY

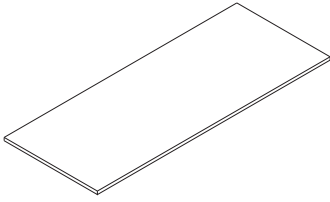




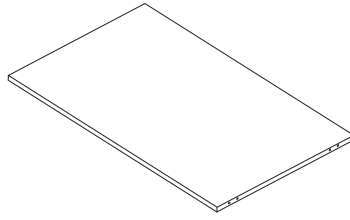
# PARTS LIST » A BOX

Unit: (mm)

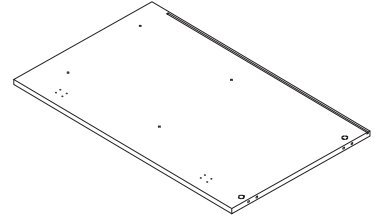
**1** 1200\*480\*15 x1



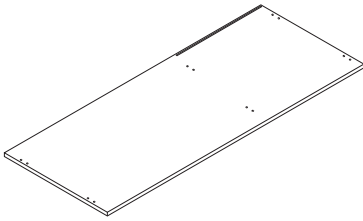
**5** 767\*480\*15 x1



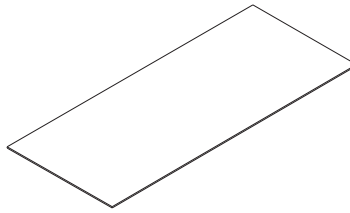
**7** 767\*480\*15 x1



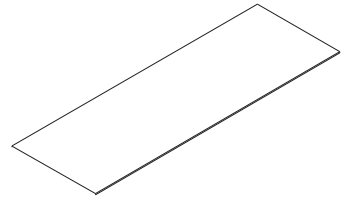
**8** 1202\*480\*15 x1



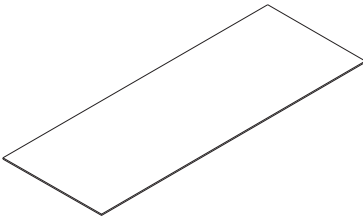
**13** 429.5\*776\*3 x2



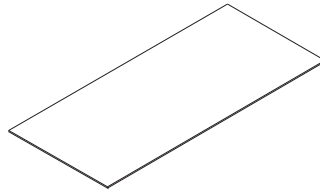
**14** 286.5\*776\*3 x2



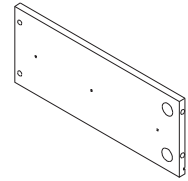
**15** 1011\*393\*3 x1



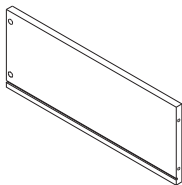
**16** 710\*393\*3 x1



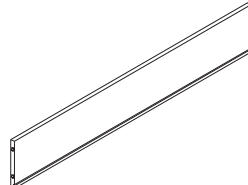
**17** 120\*320\*12 x3



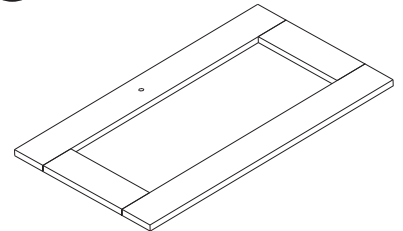
**18** 120\*320\*12 x3



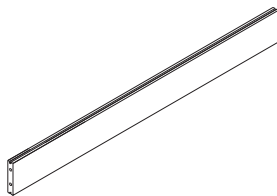
**19** 120\*720\*12 x3



**25** 700\*380\*15 x1



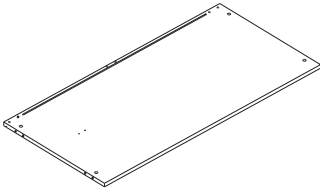
**30** 768\*80\*15 x1



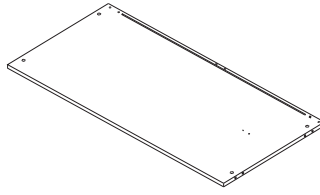
# PARTS LIST » B BOX

Unit: (mm)

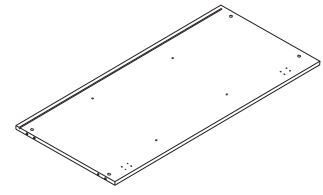
**2** 1003\*480\*15 x1



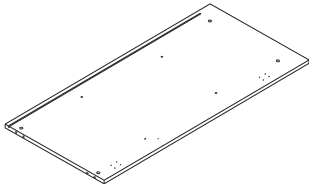
**3** 1003\*480\*15 x1



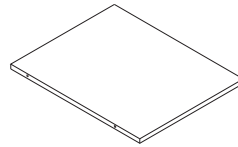
**4** 1003\*480\*15 x1



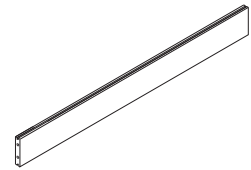
**6** 767\*480\*15 x1



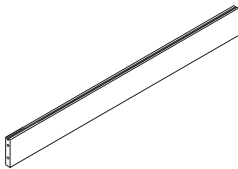
**10** 385\*480\*15 x1



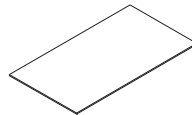
**11** 80\*768\*15 x1



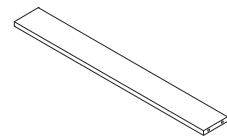
**12** 80\*768\*15 x1



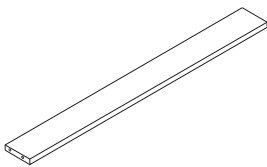
**20** 728\*314\*3 x3



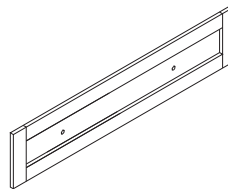
**21** 306\*60\*12 x3



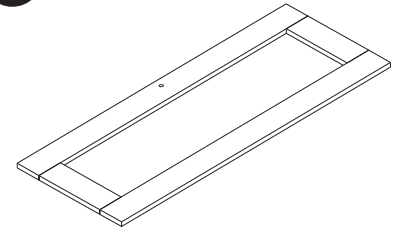
**22** 768\*80\*15 x3



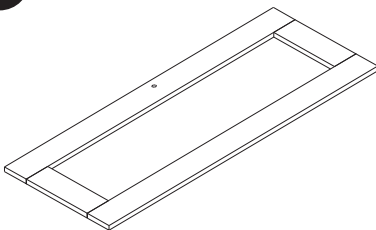
**23** 220\*764\*15 x3



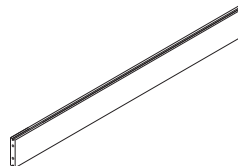
**24** 999\*380\*15 x2



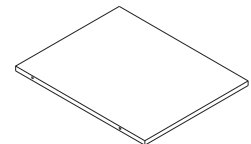
**26** 999\*380\*15 x1



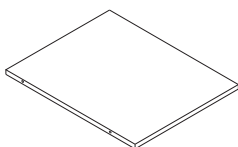
**27** 80\*768\*15 x1

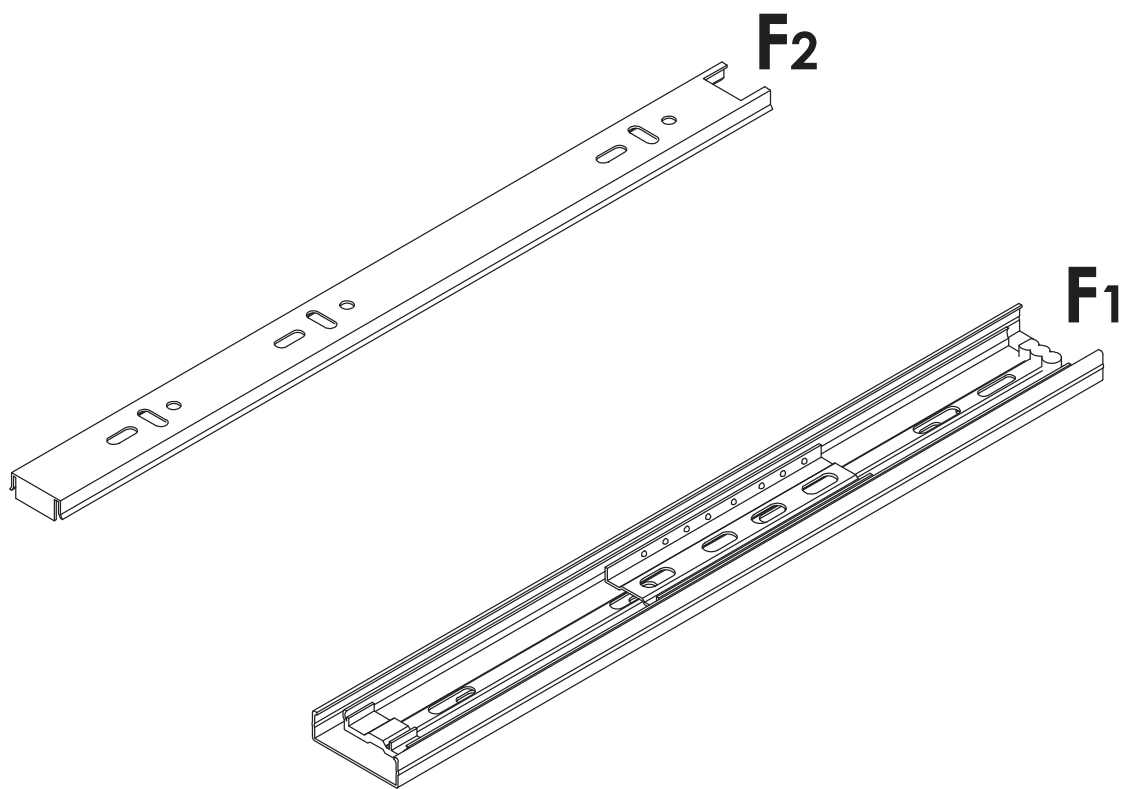
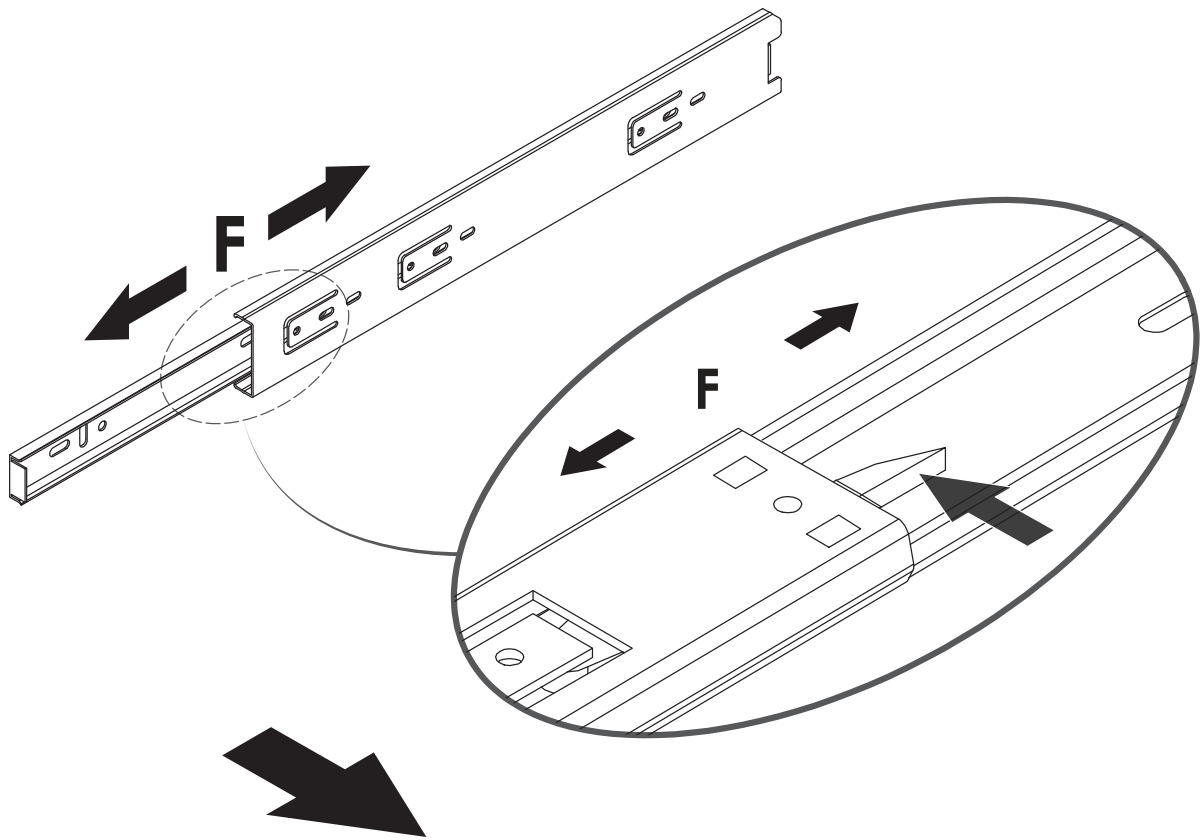


**28** 385\*448\*12 x1



**29** 385\*448\*12 x2





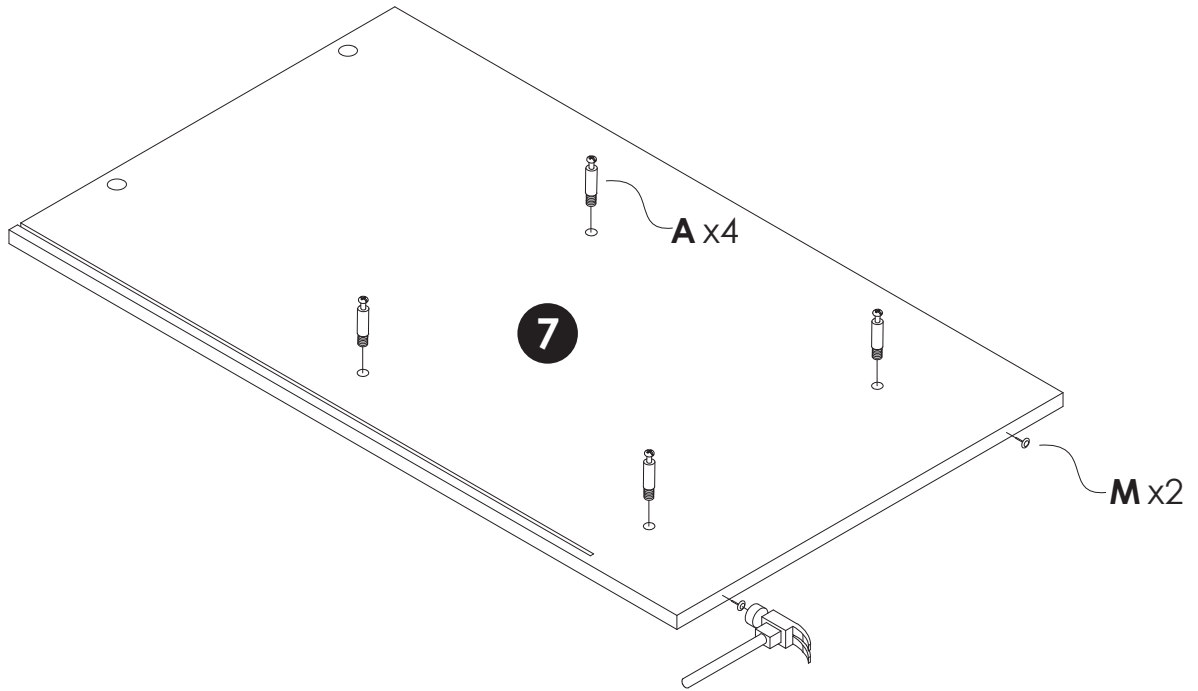
# INSTALLATION INSTRUCTION

## 01

YOU WILL NEED

A x4

M x2



## 02

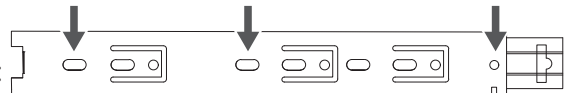
YOU WILL NEED

C x9

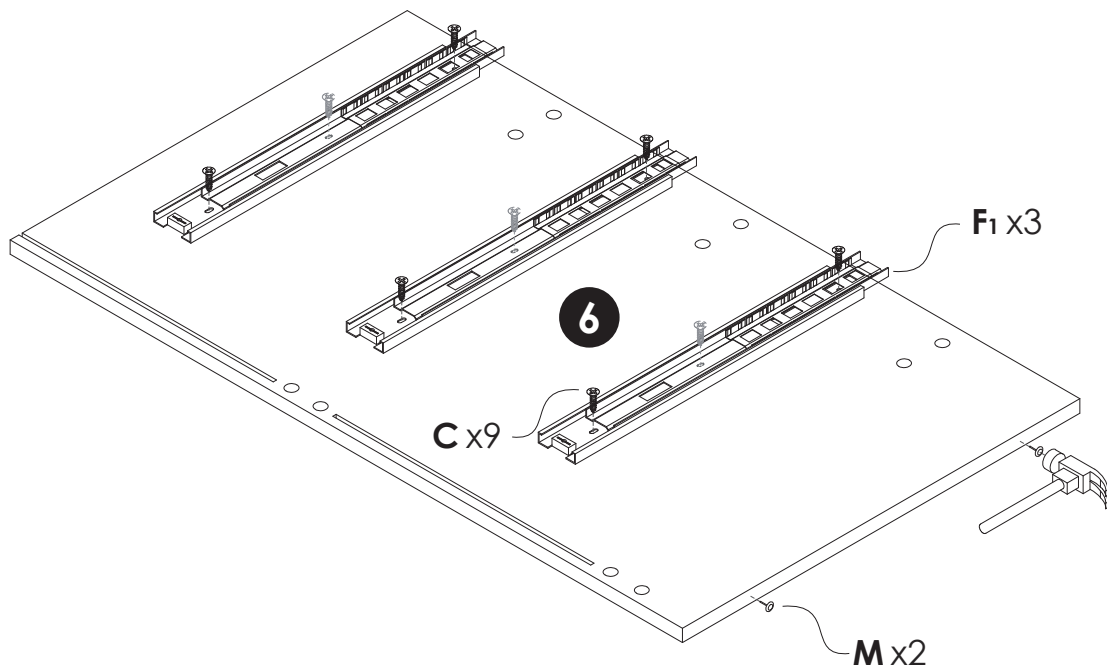
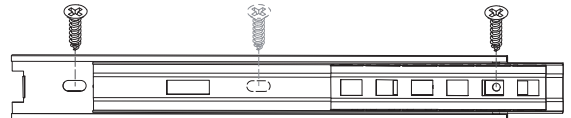
M x2

F1 x3

F1 Black:



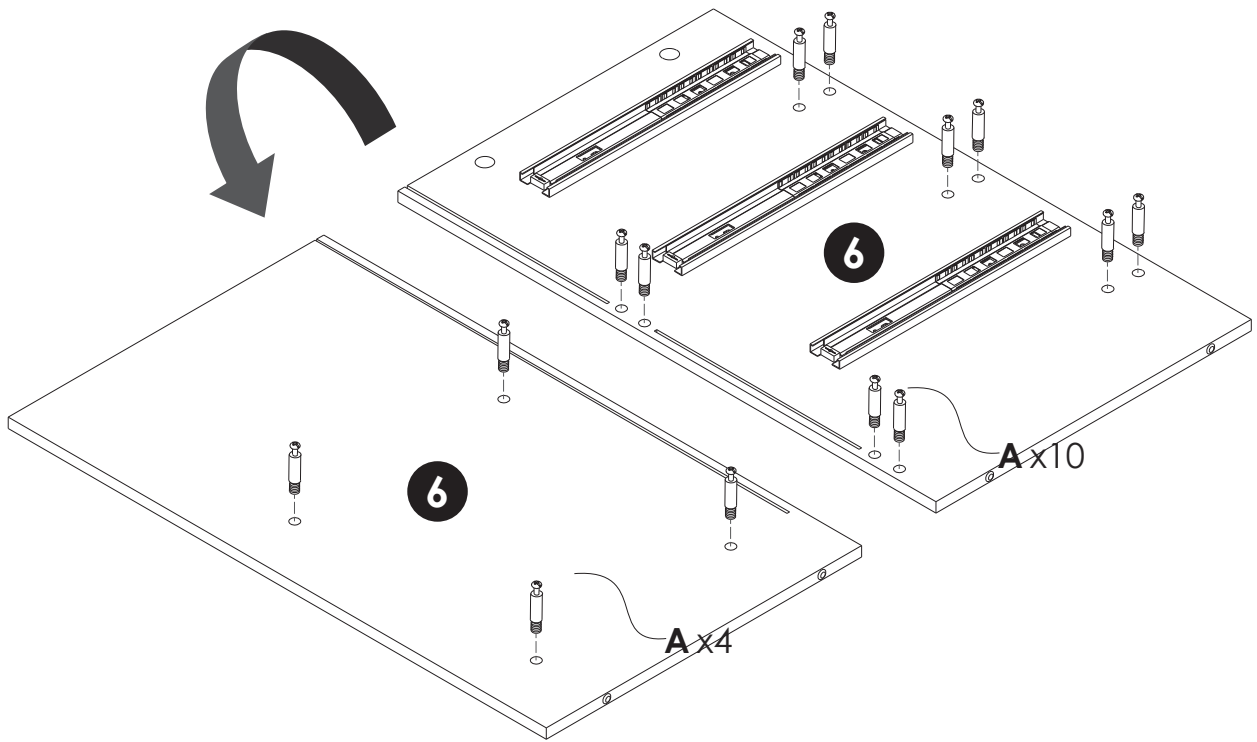
F1 Front:



# 03

## YOU WILL NEED

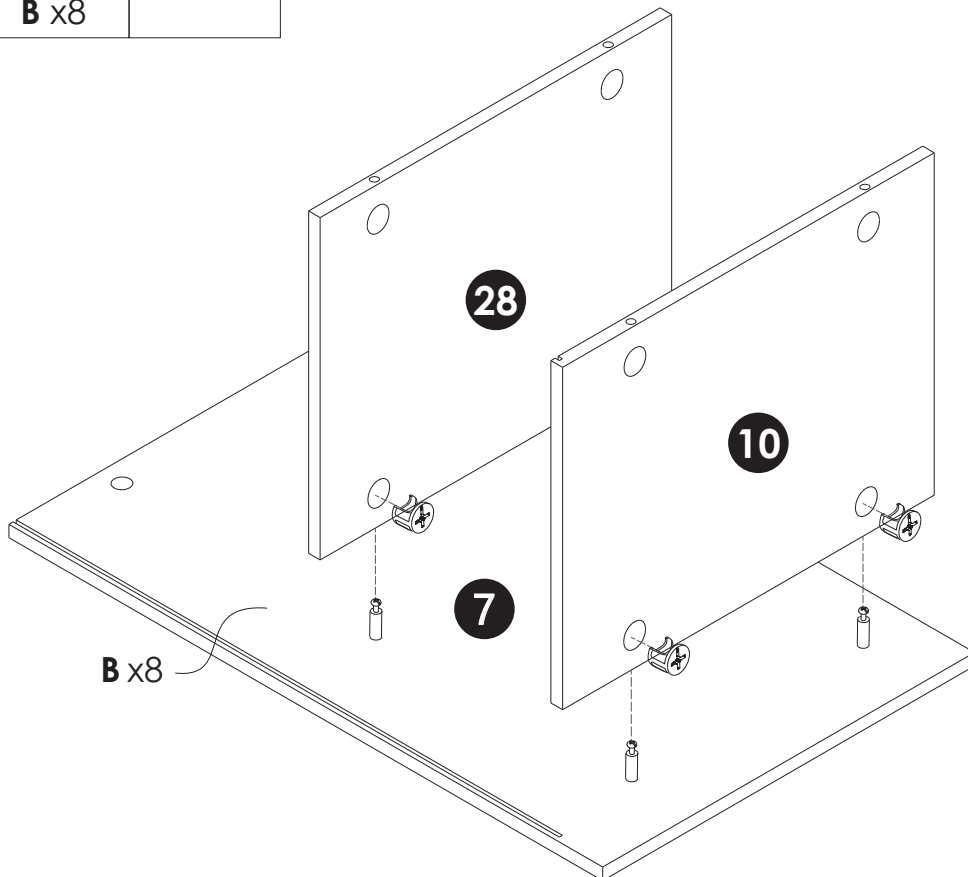
A x14



# 04

## YOU WILL NEED

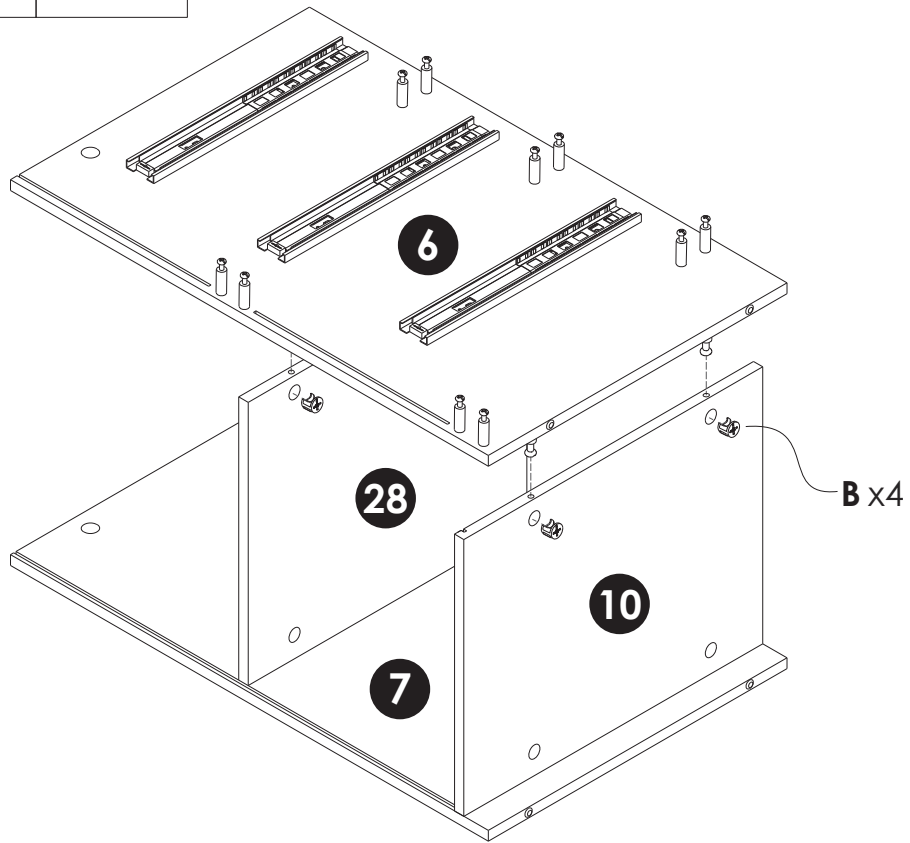
B x8



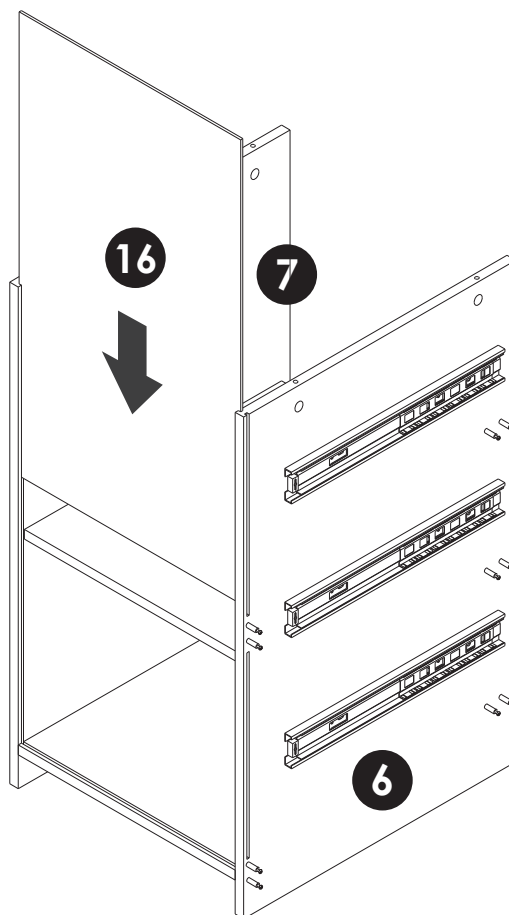
# 05

YOU WILL NEED

B x4



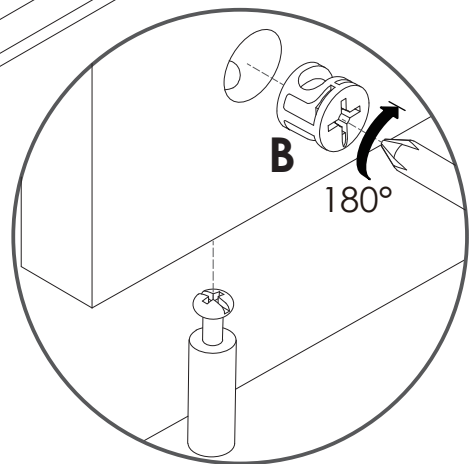
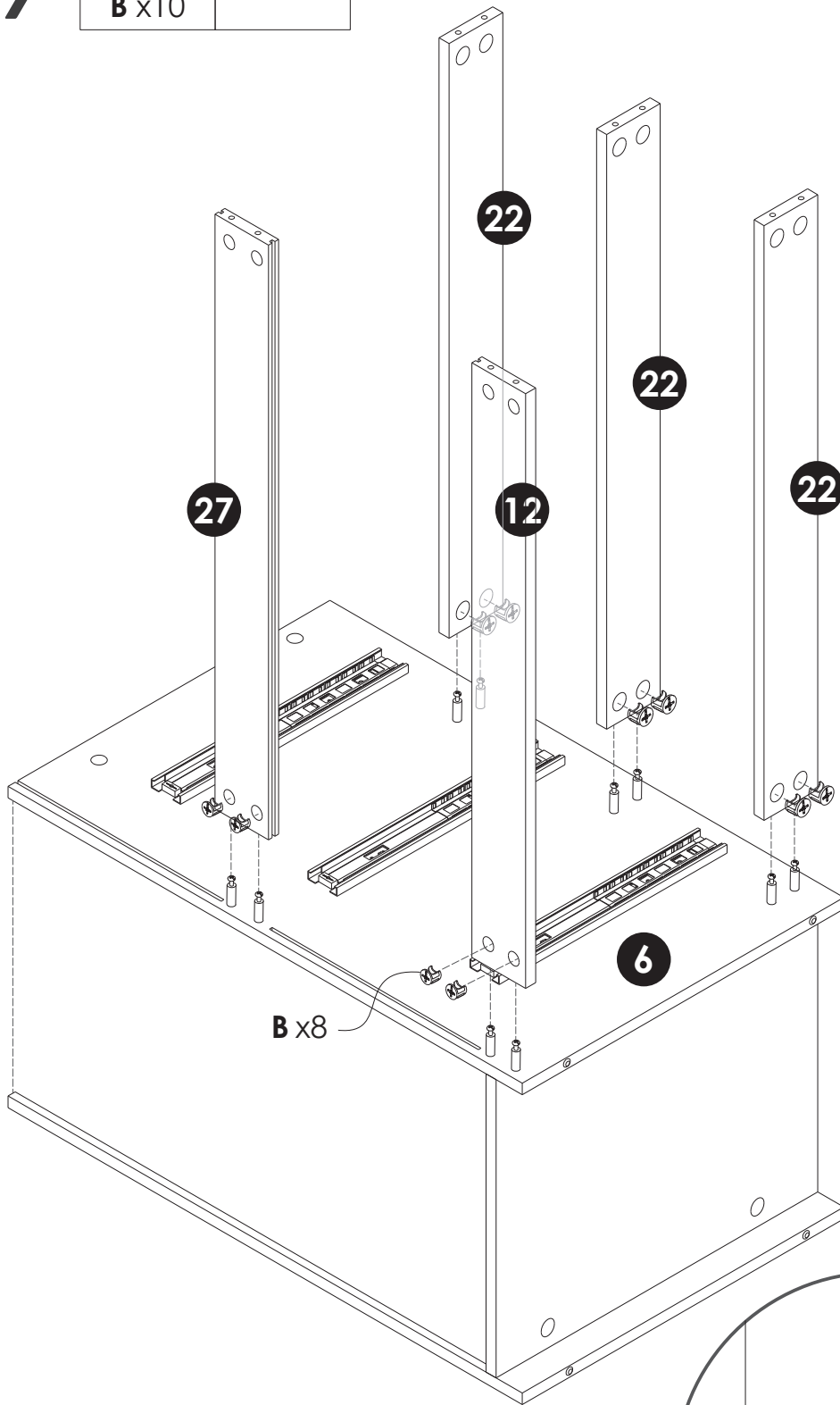
# 06

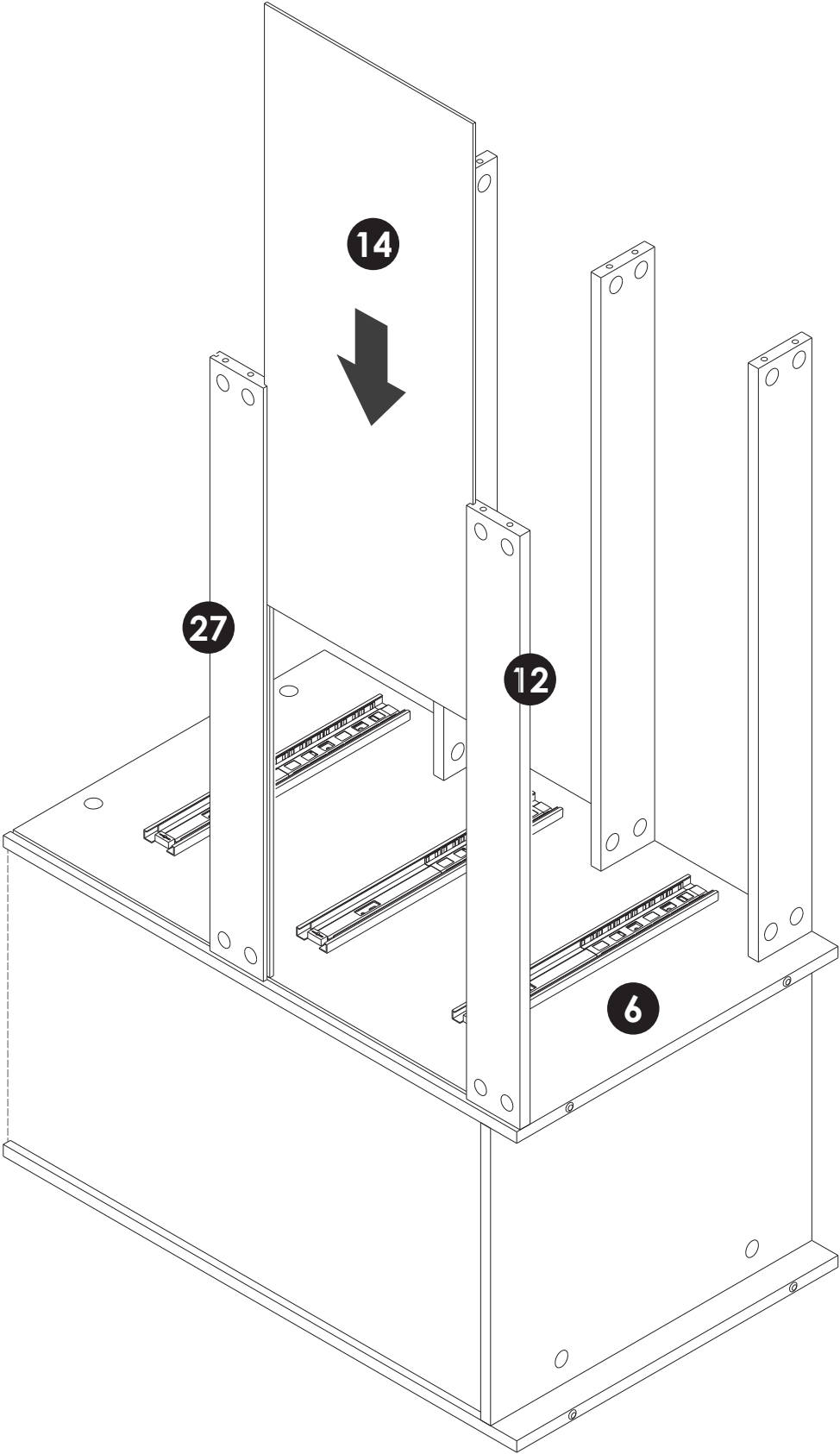


07

YOU WILL NEED

B x10





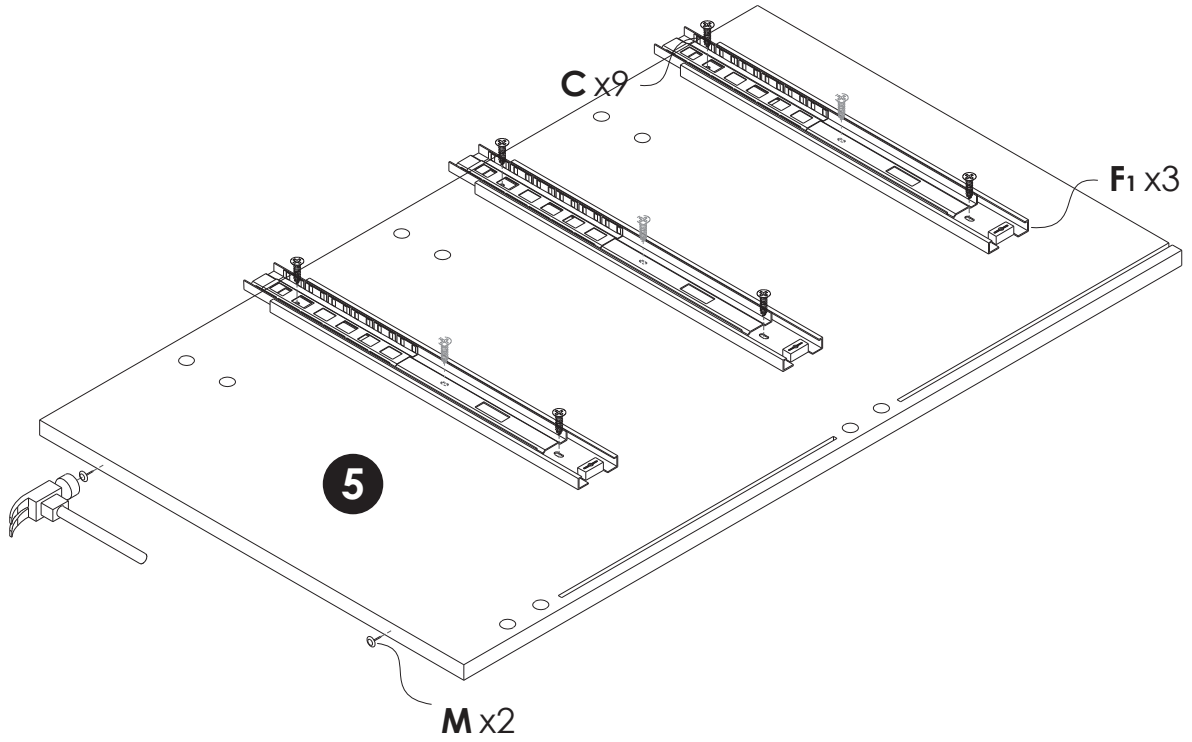
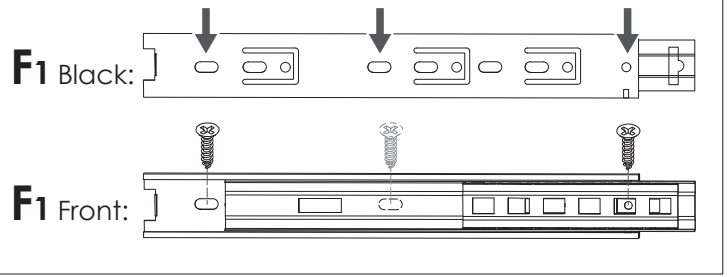
# 09

## YOU WILL NEED

C x9

M x2

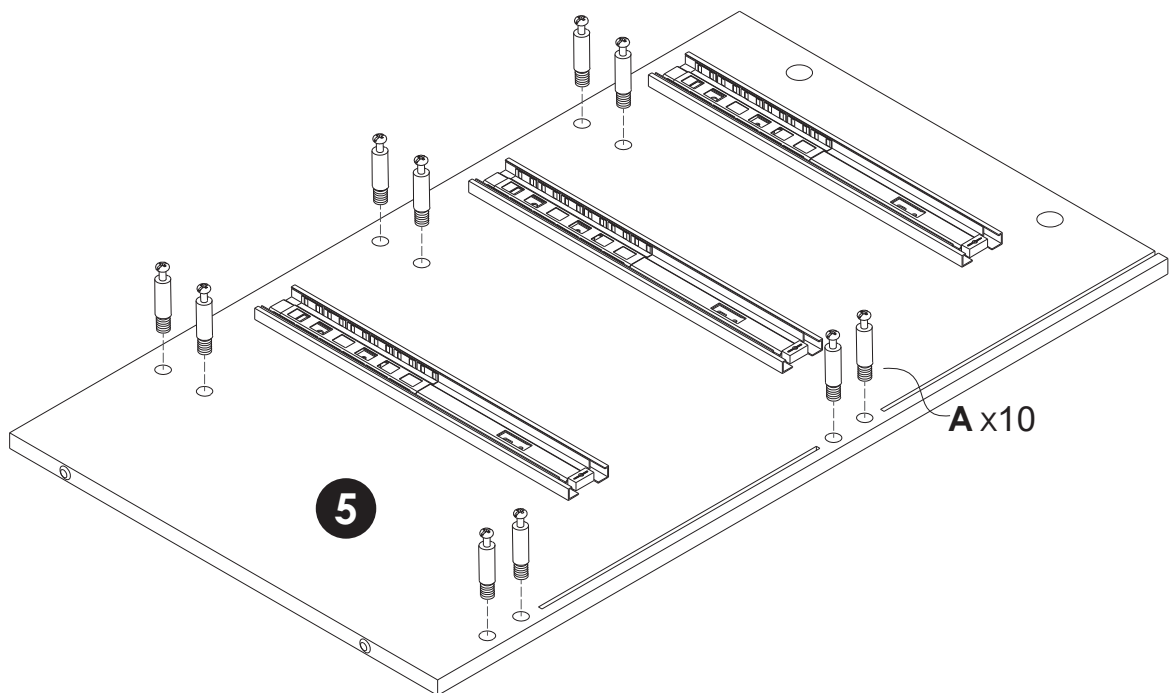
F1 x3



# 10

## YOU WILL NEED

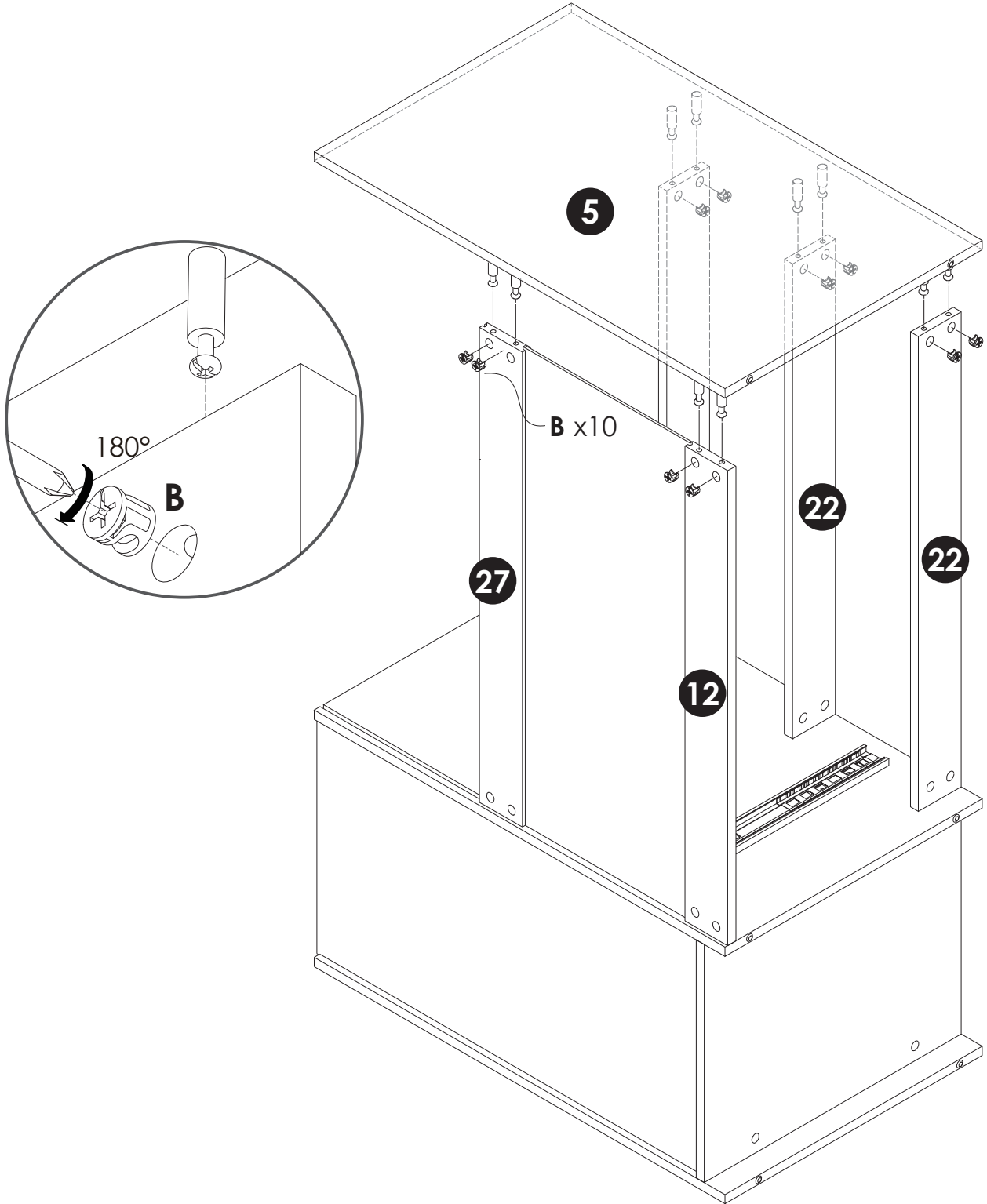
A x10



# 11

## YOU WILL NEED

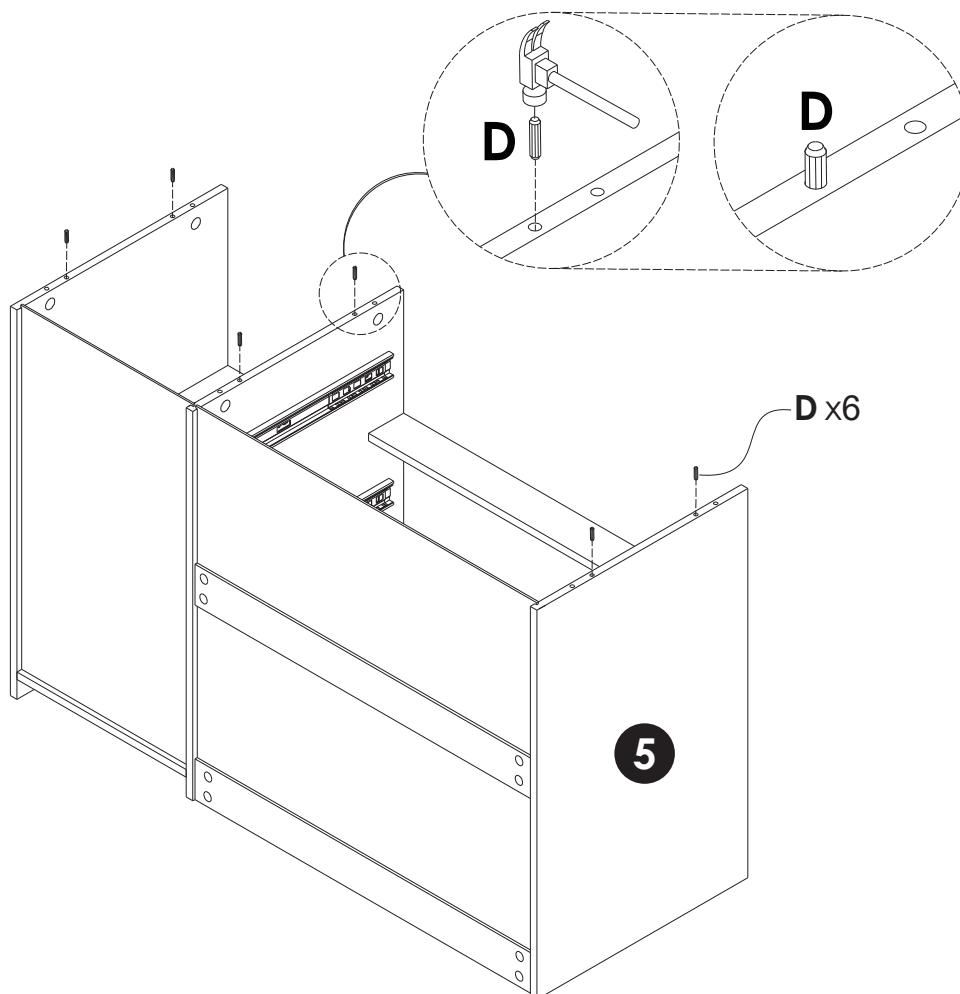
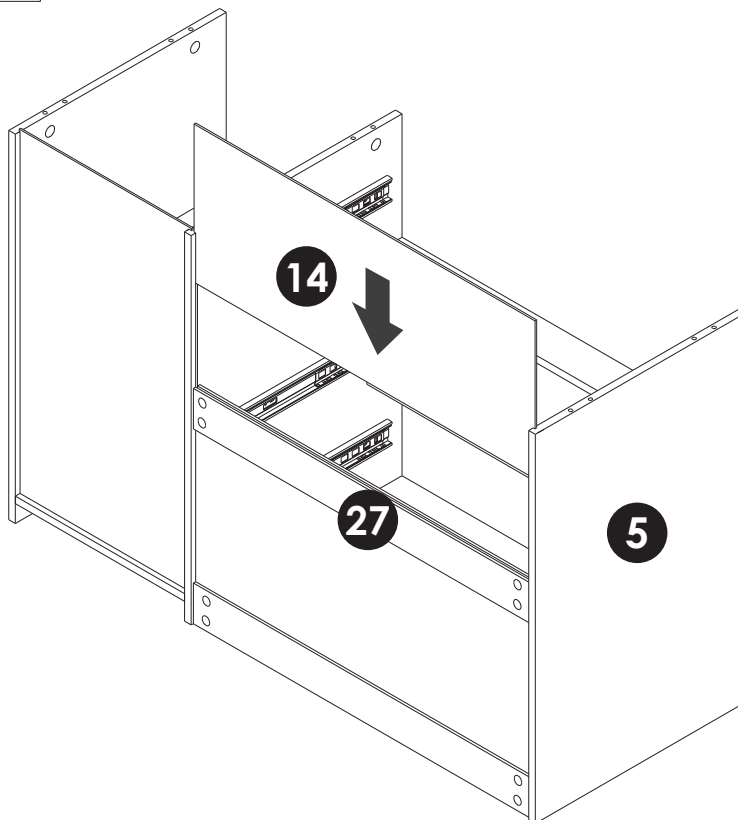
B x10



# 12

## YOU WILL NEED

D x6

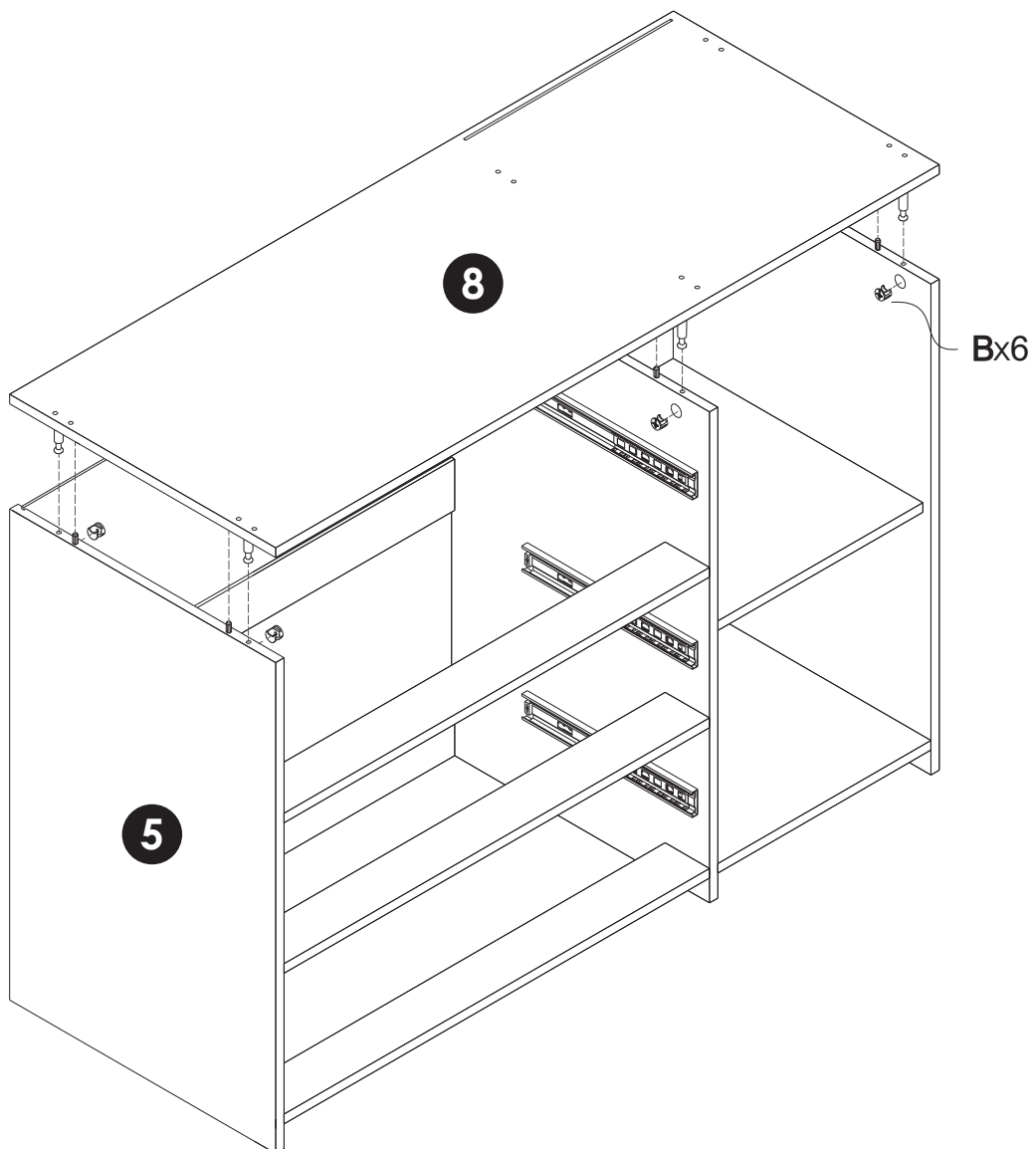
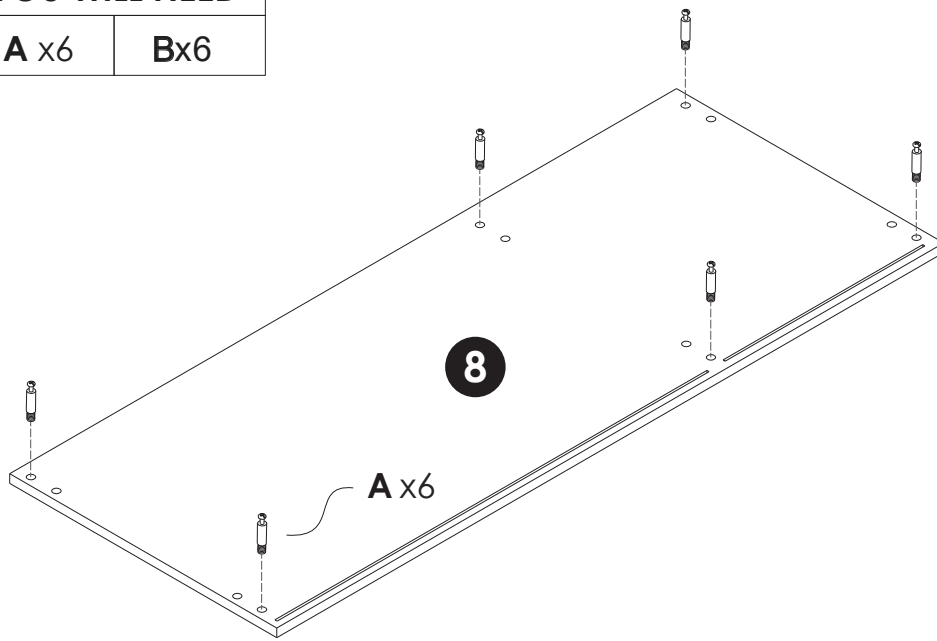


# 13

## YOU WILL NEED

A x6

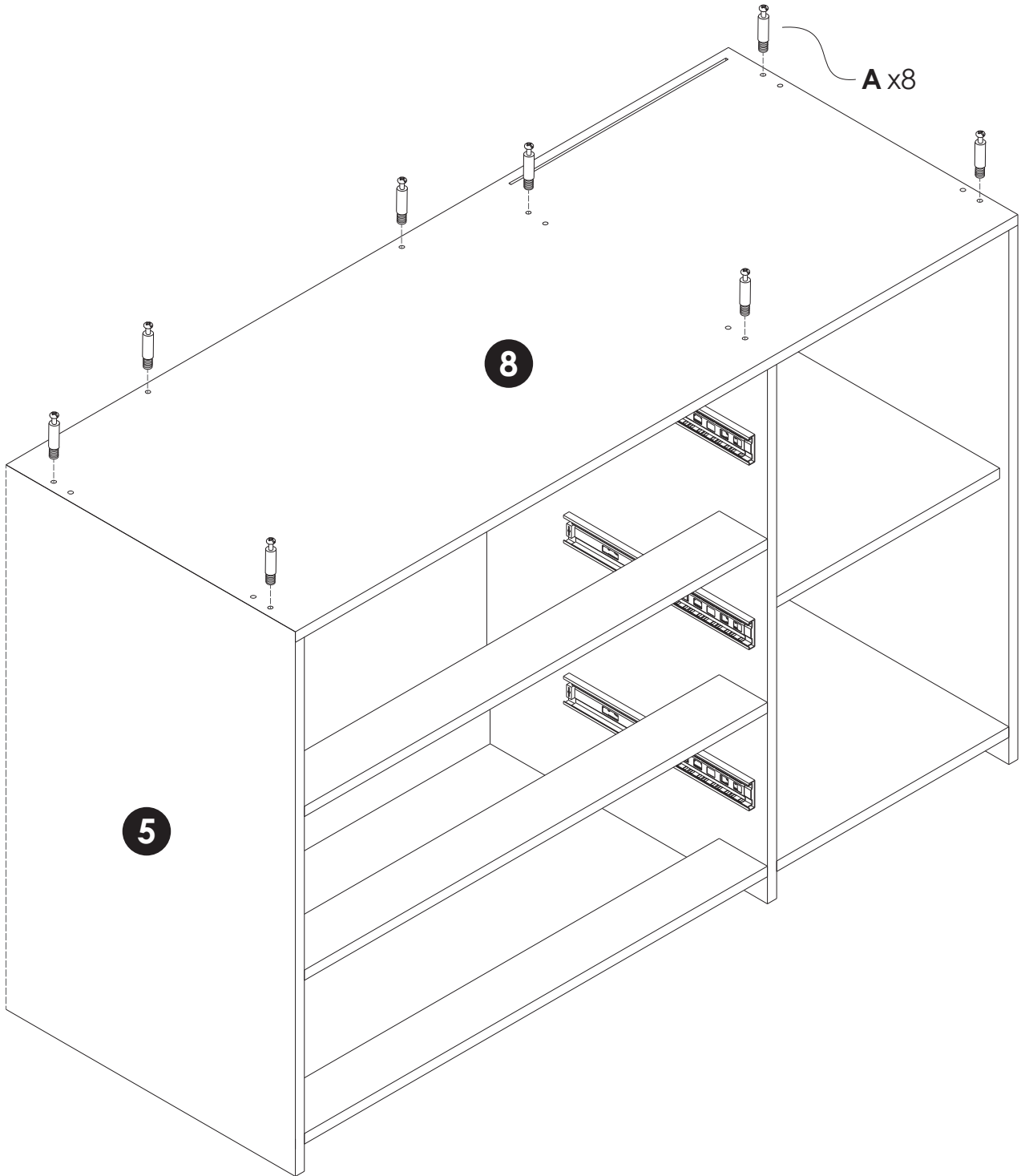
Bx6



# 14

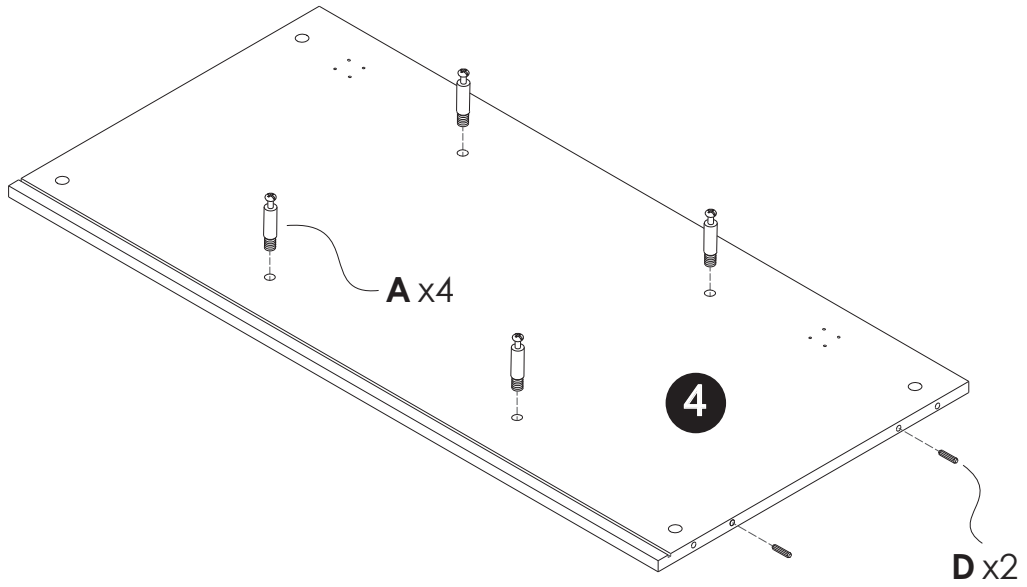
## YOU WILL NEED

A x8



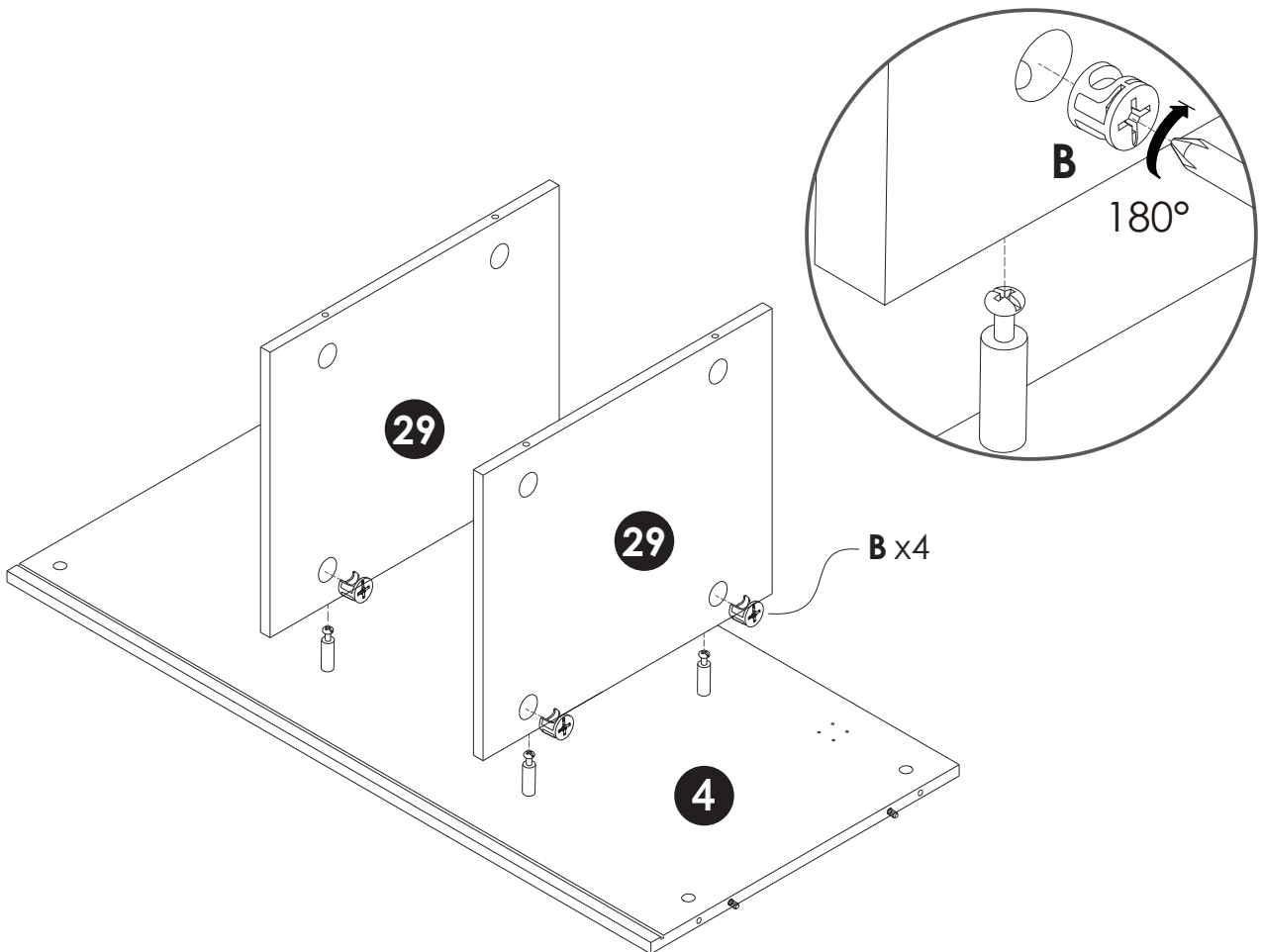
# 15

YOU WILL NEED	
A x4	D x2



# 16

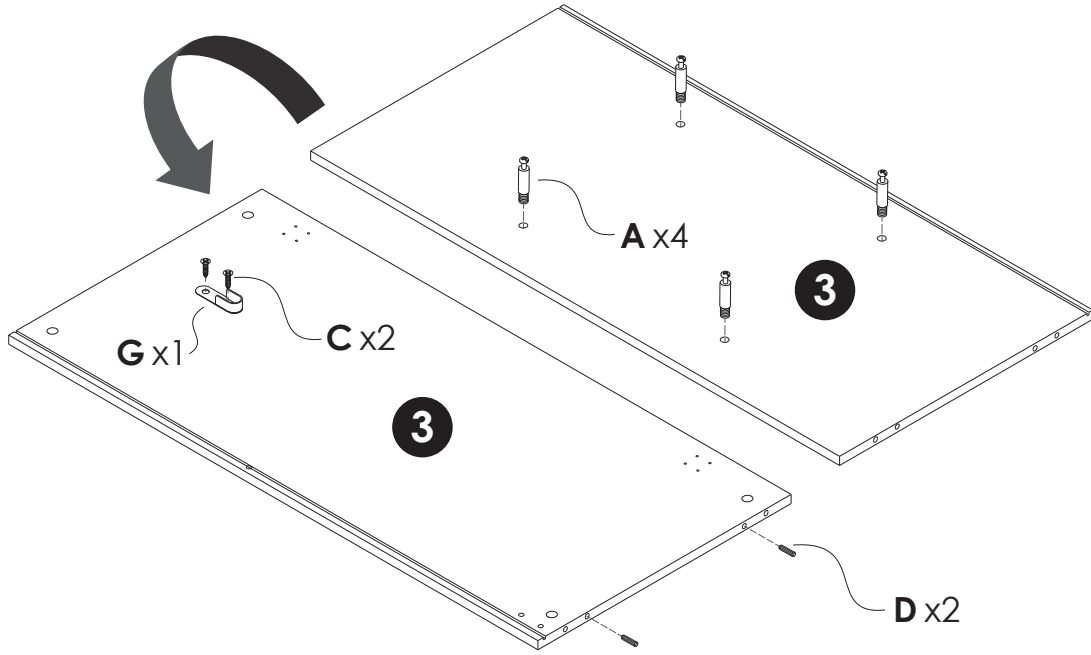
YOU WILL NEED	
B x4	



# 17

## YOU WILL NEED

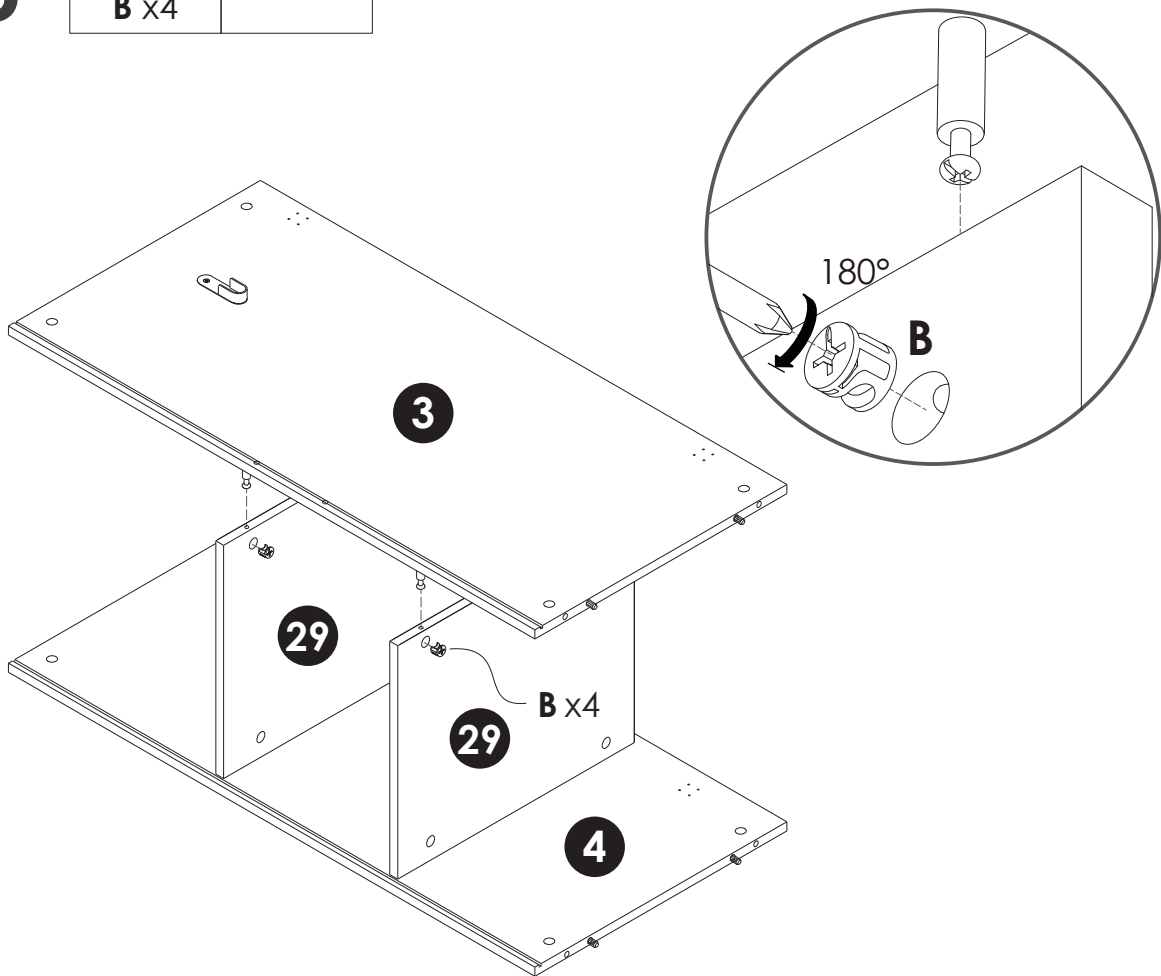
<b>A x4</b>	<b>C x2</b>	<b>D x2</b>	<b>G x1</b>
-------------	-------------	-------------	-------------



# 18

## YOU WILL NEED

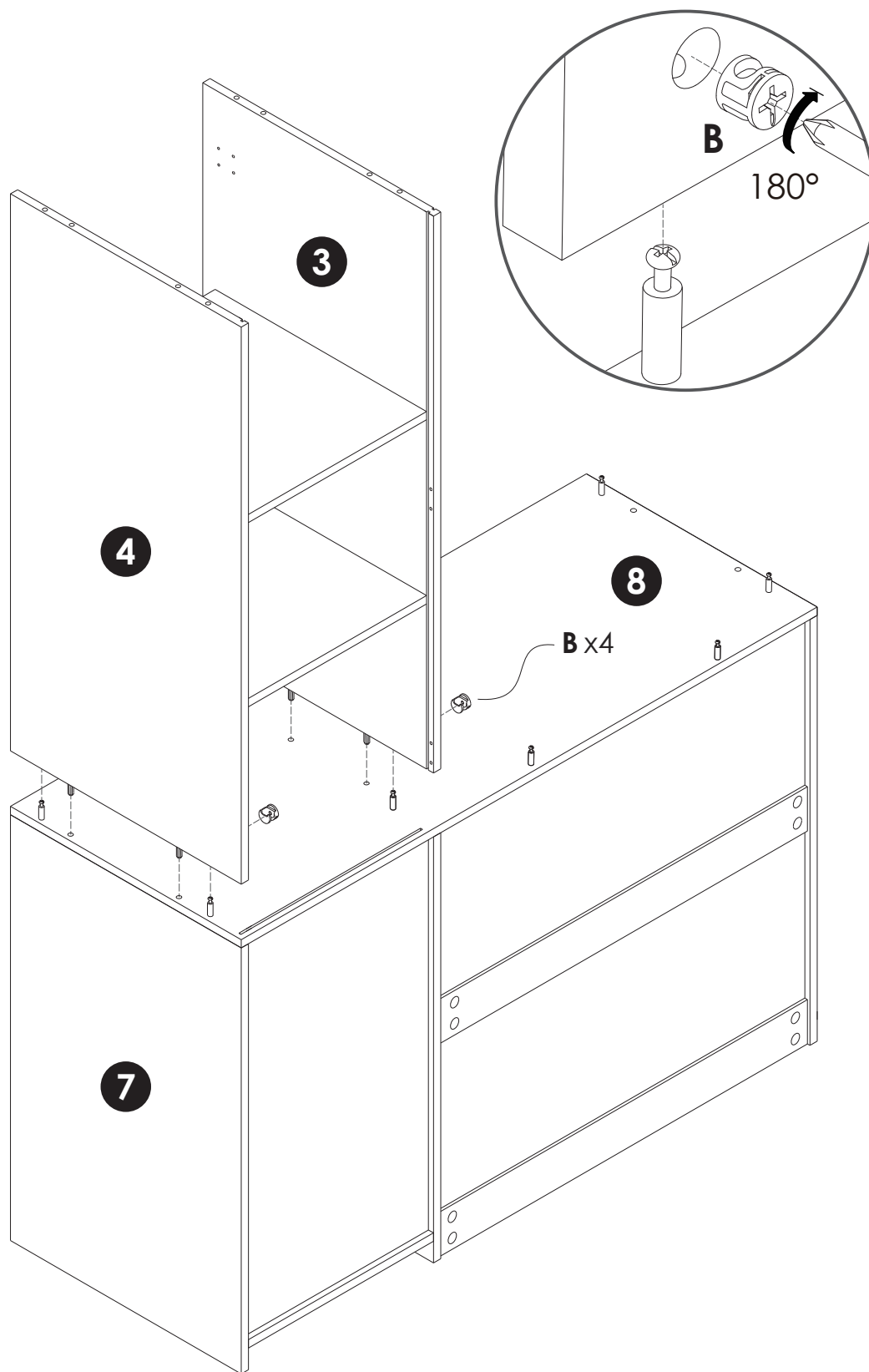
<b>B x4</b>	
-------------	--



# 19

## YOU WILL NEED

B x4



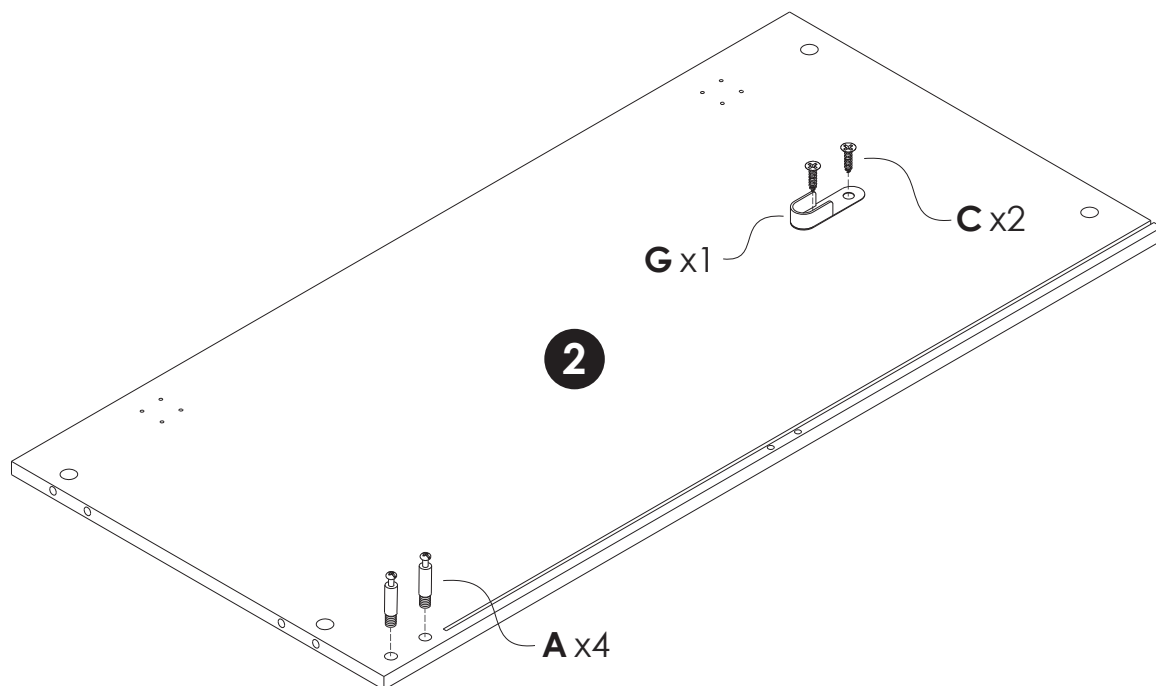
# 20

## YOU WILL NEED

A x2

C x2

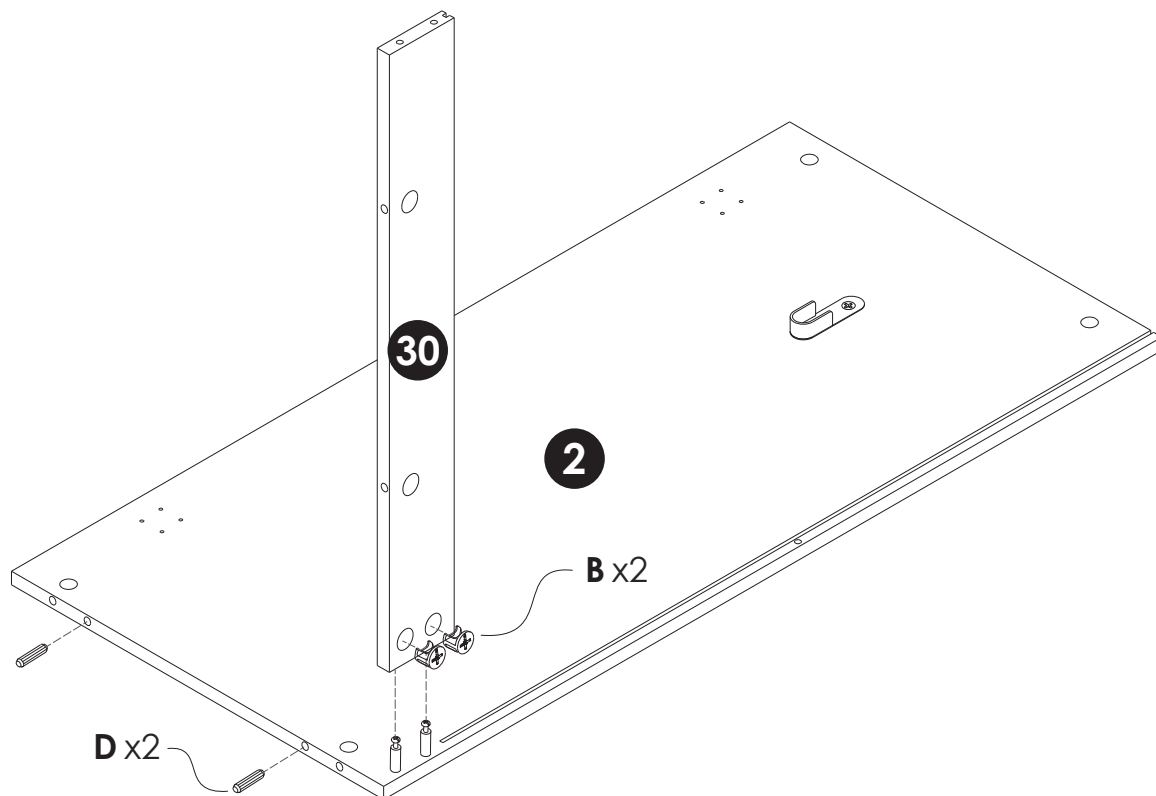
G x1



## YOU WILL NEED

B x2

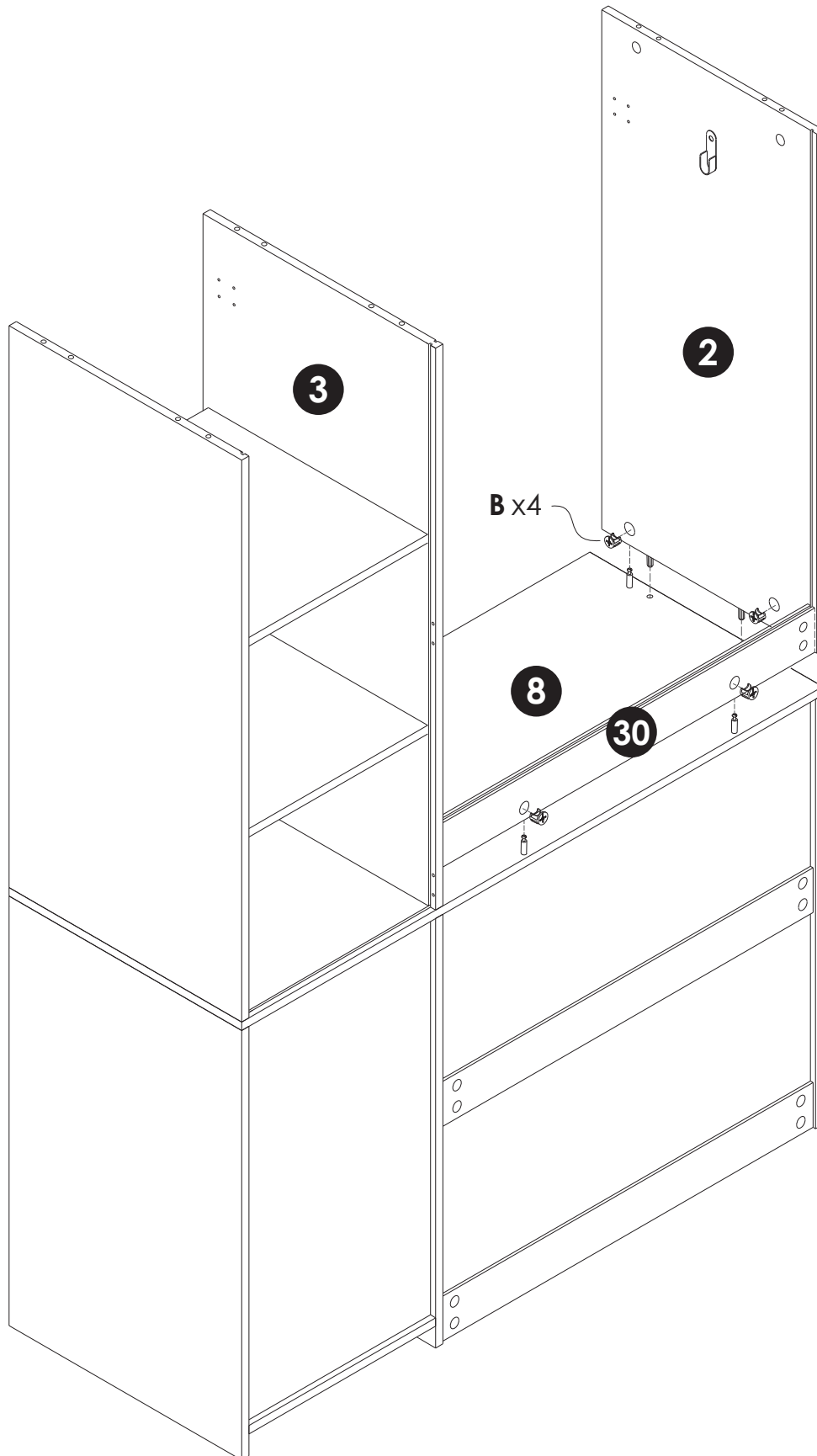
D x2



# 21

## YOU WILL NEED

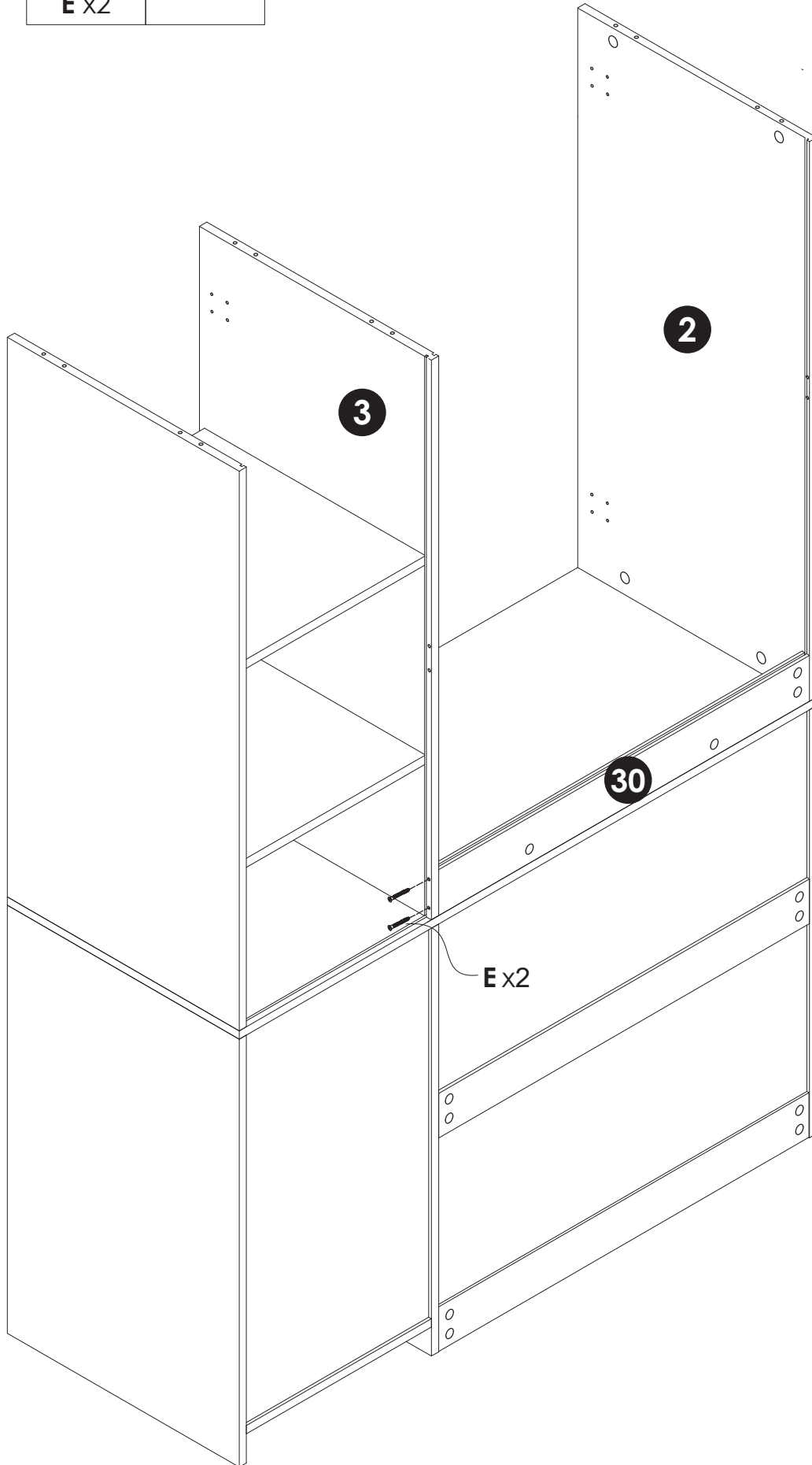
B x4



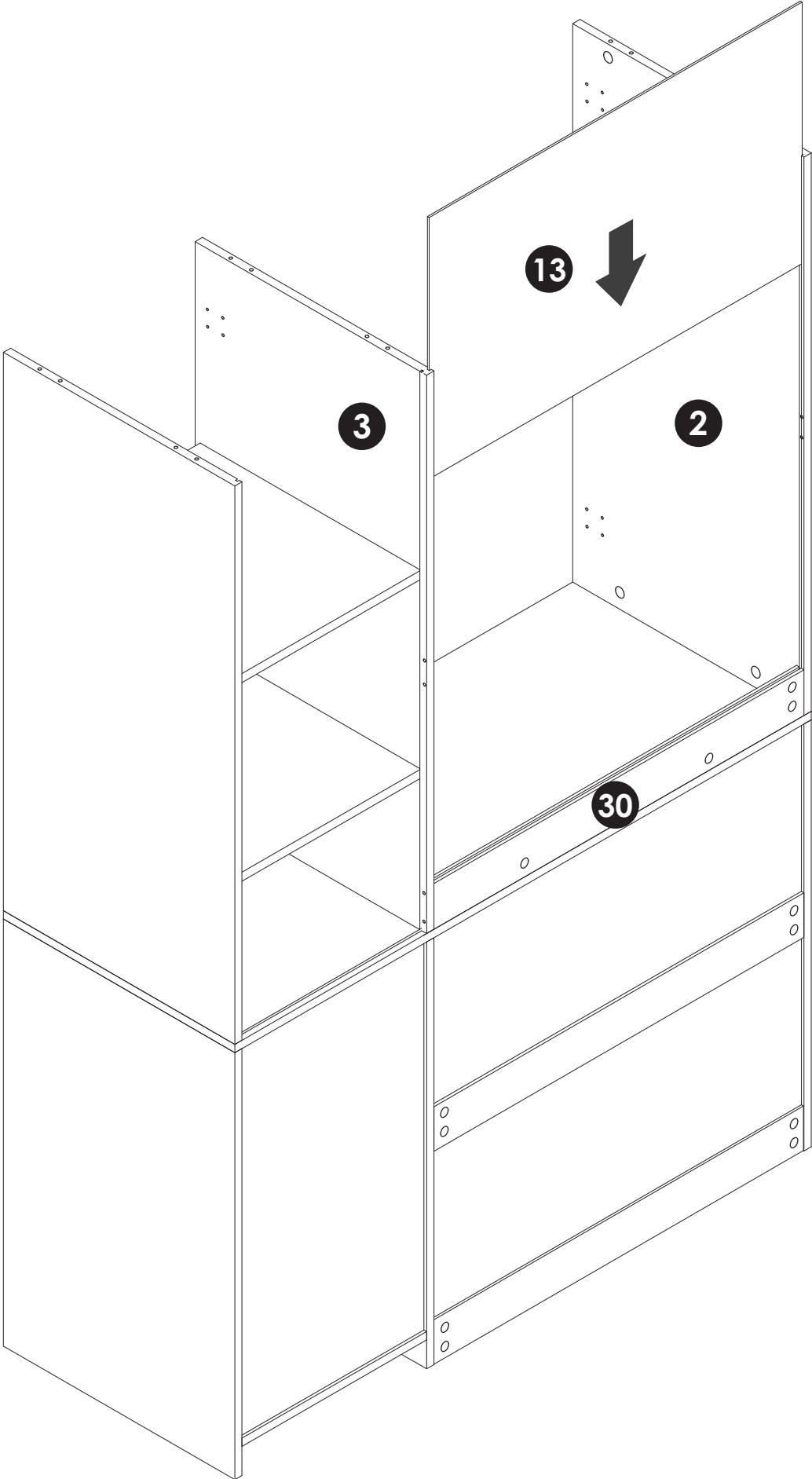
22

YOU WILL NEED

E x2	
------	--



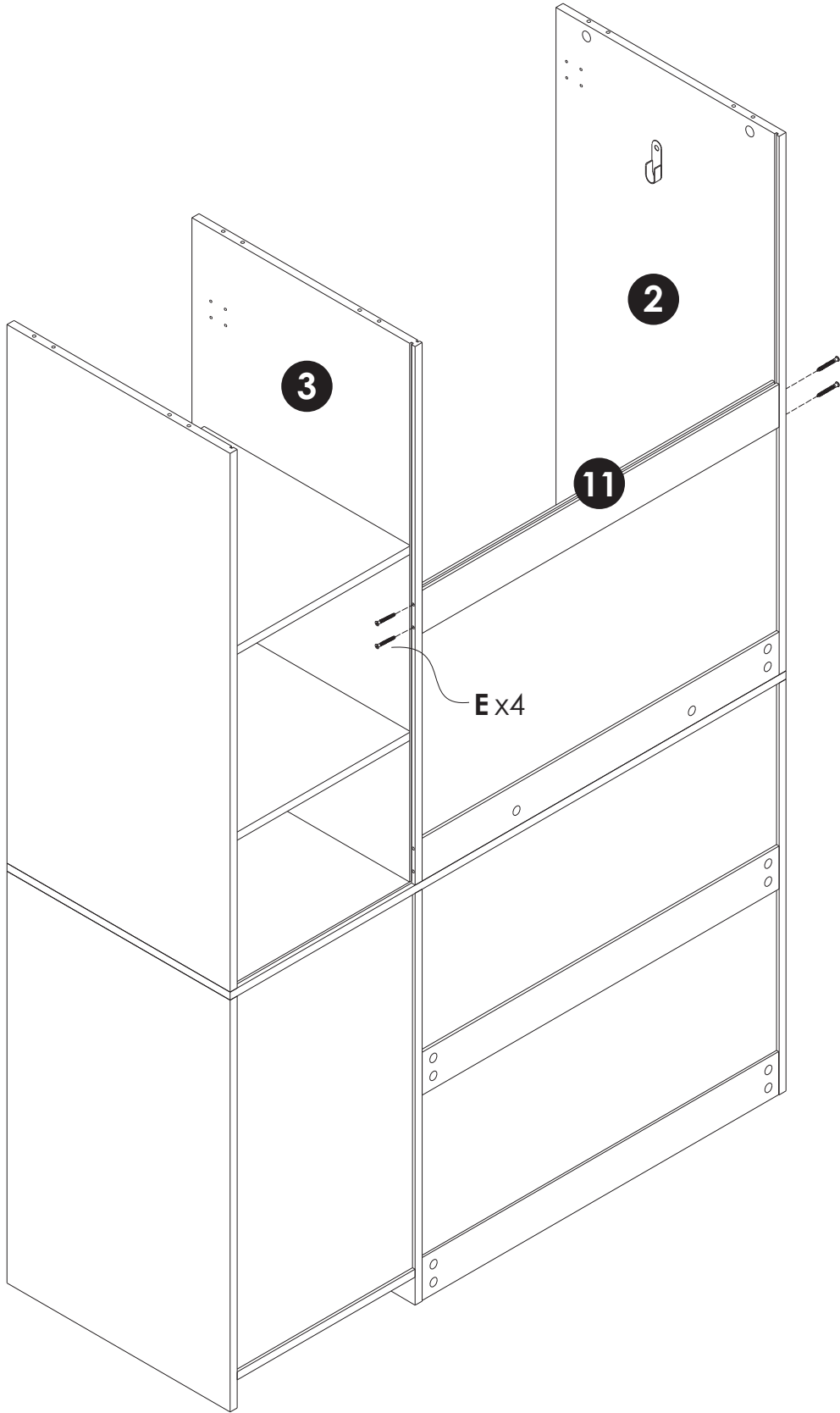
# 23

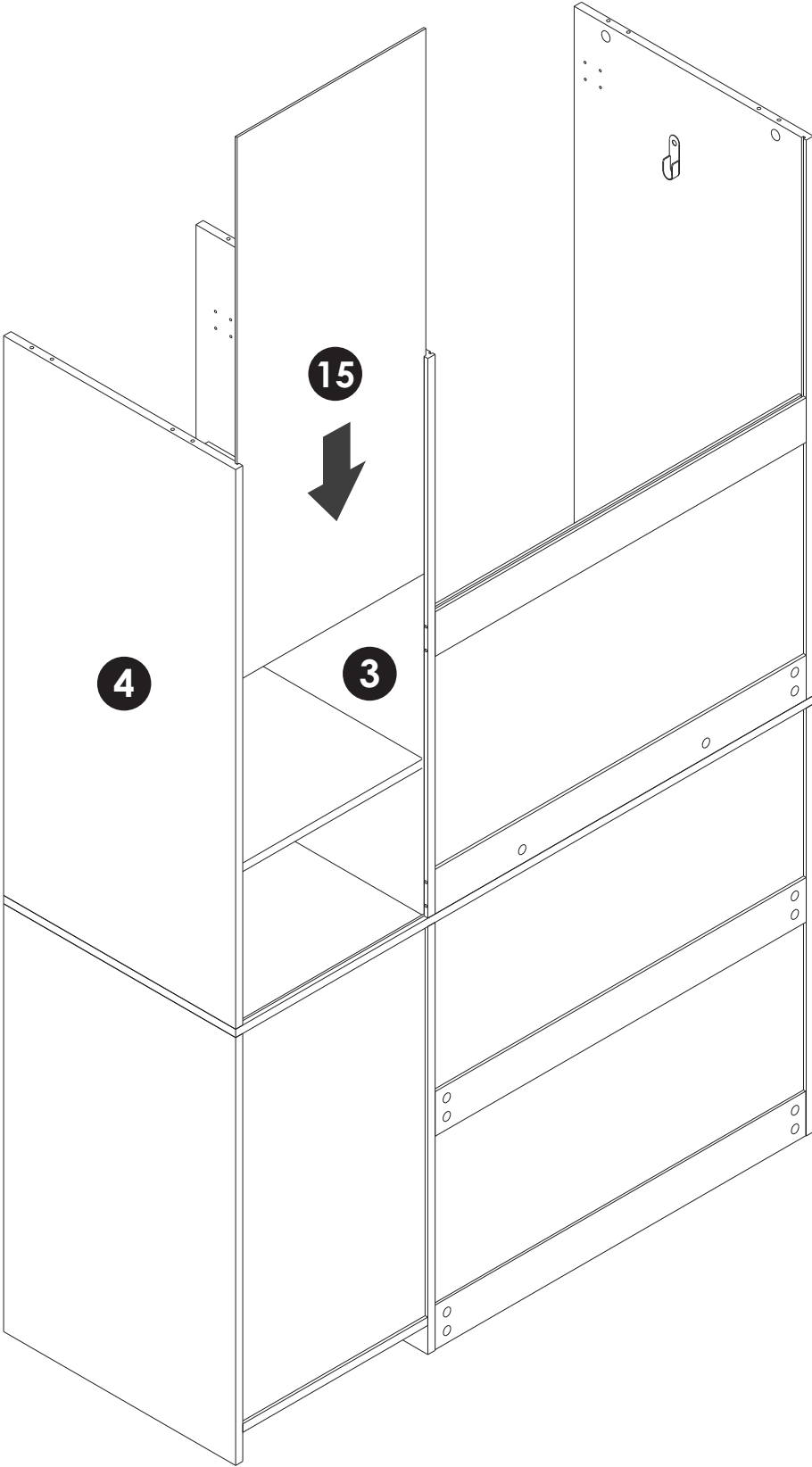


# 24

## YOU WILL NEED

E x4

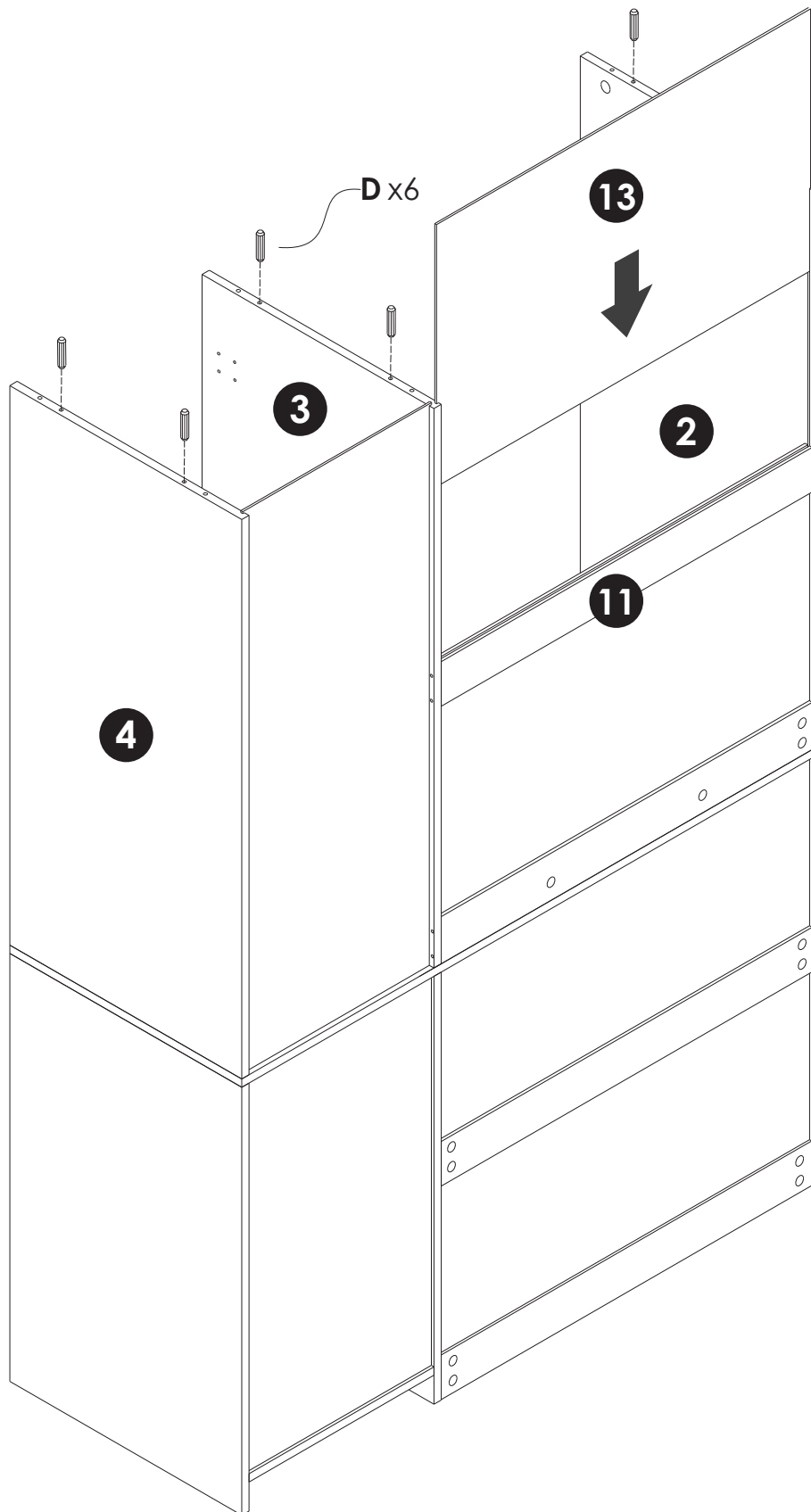




# 26

## YOU WILL NEED

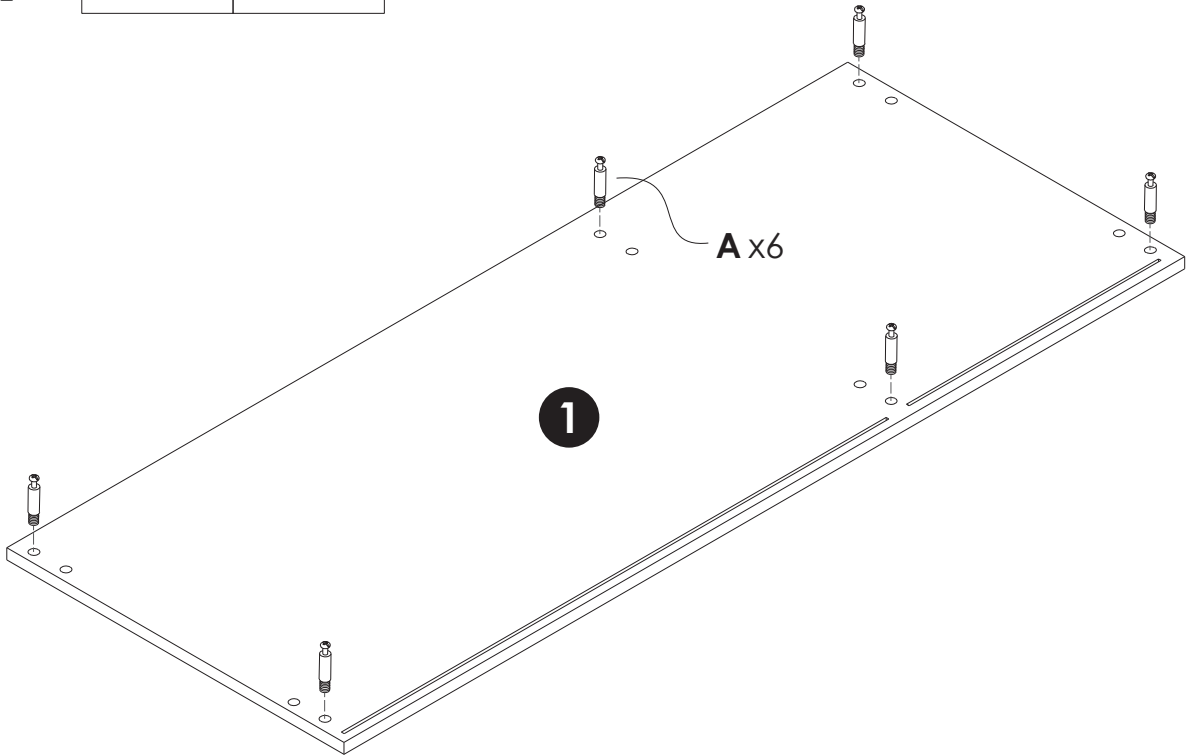
D x6



# 27

## YOU WILL NEED

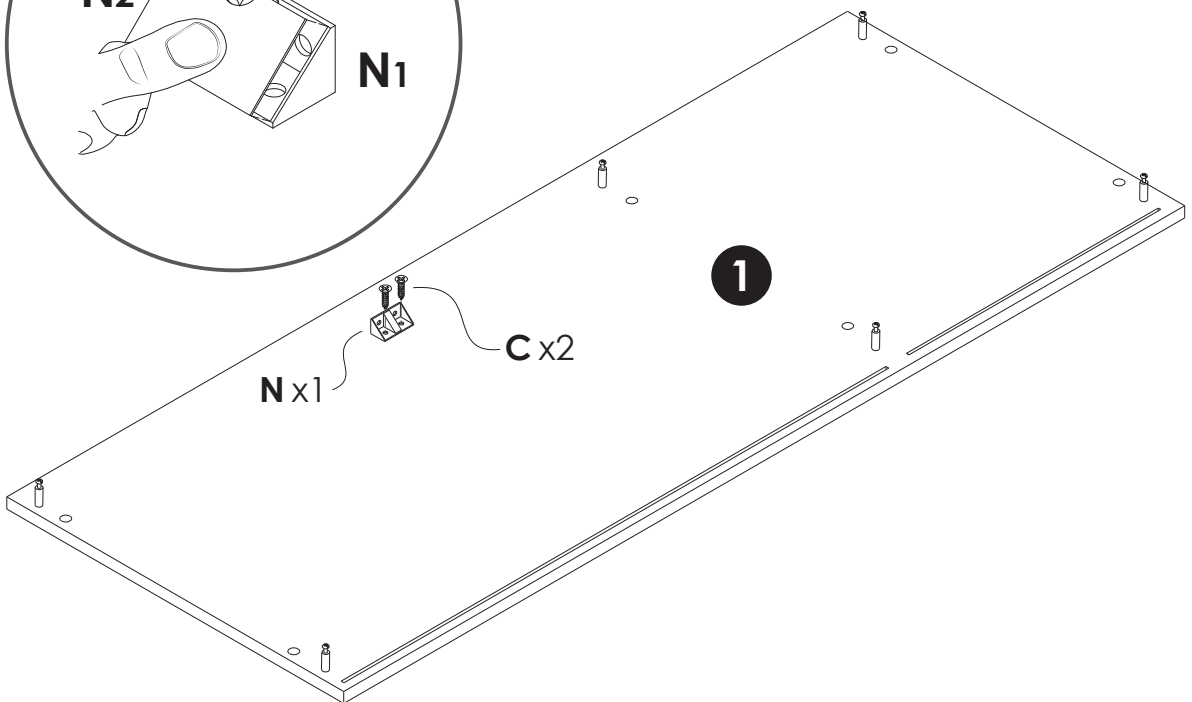
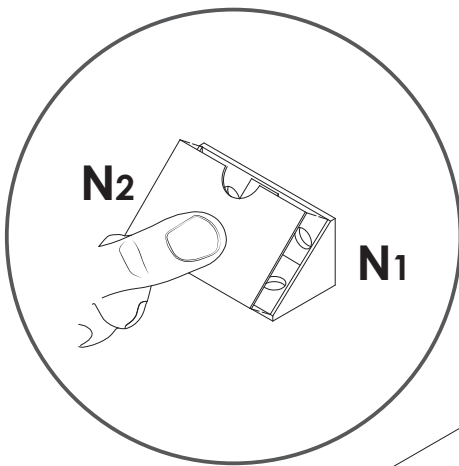
A x6



## YOU WILL NEED

C x2

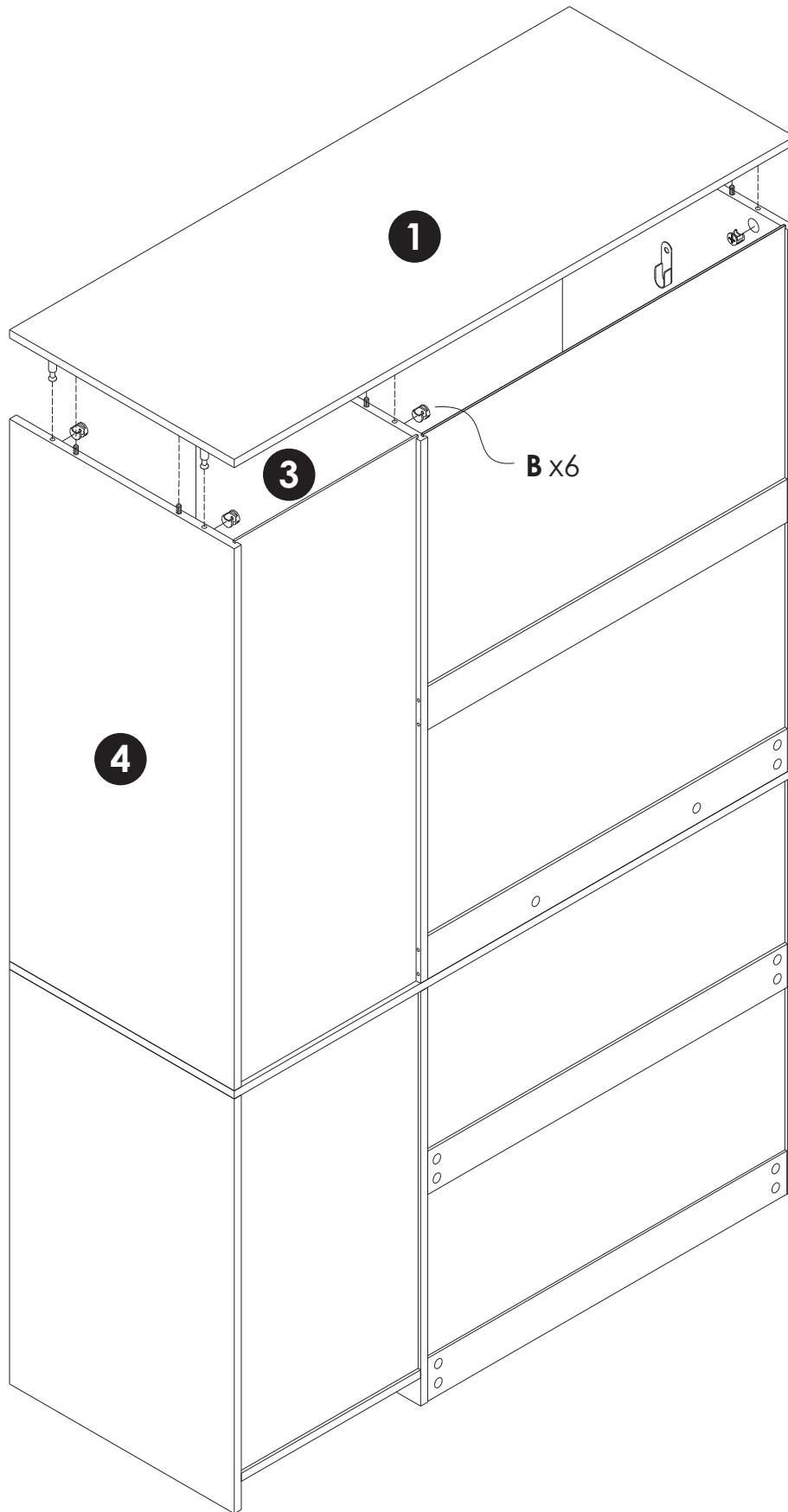
N = N<sub>1</sub> + N<sub>2</sub> x1



# 28

## YOU WILL NEED

B x6

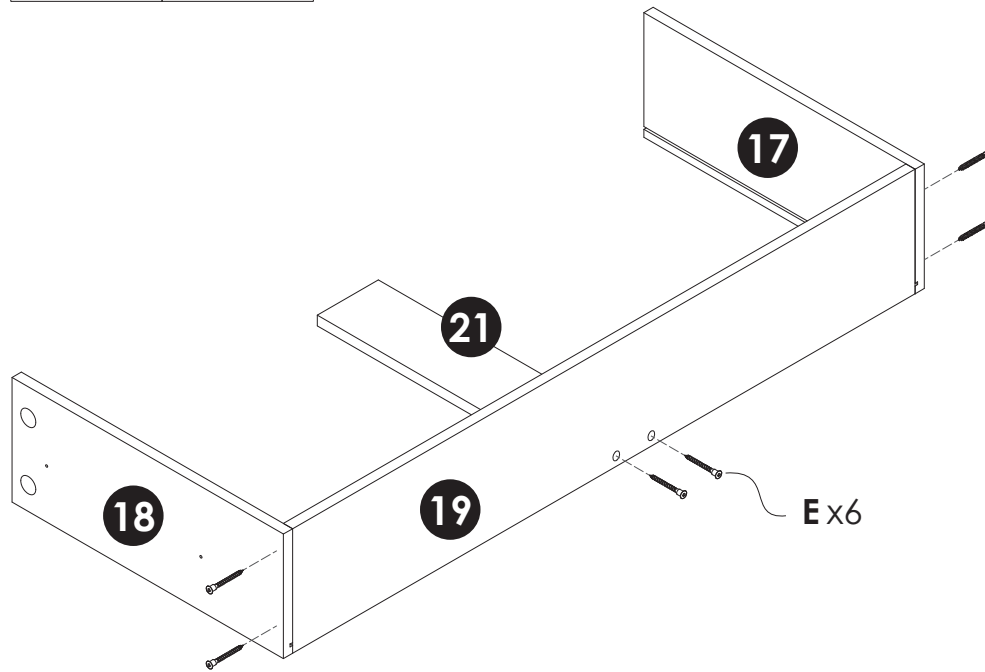


# 29

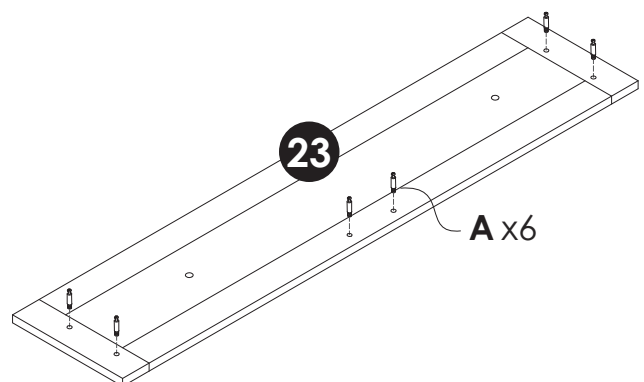
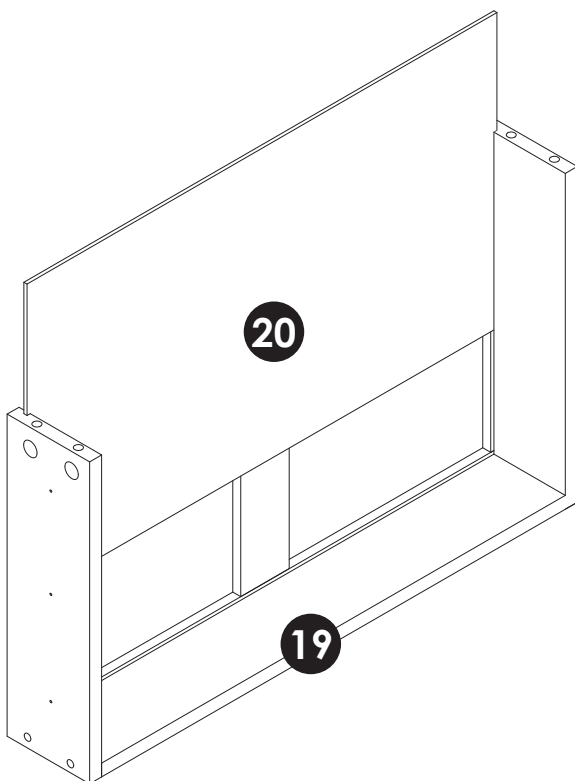
## YOU WILL NEED

A x18

E x18



x3



# 30

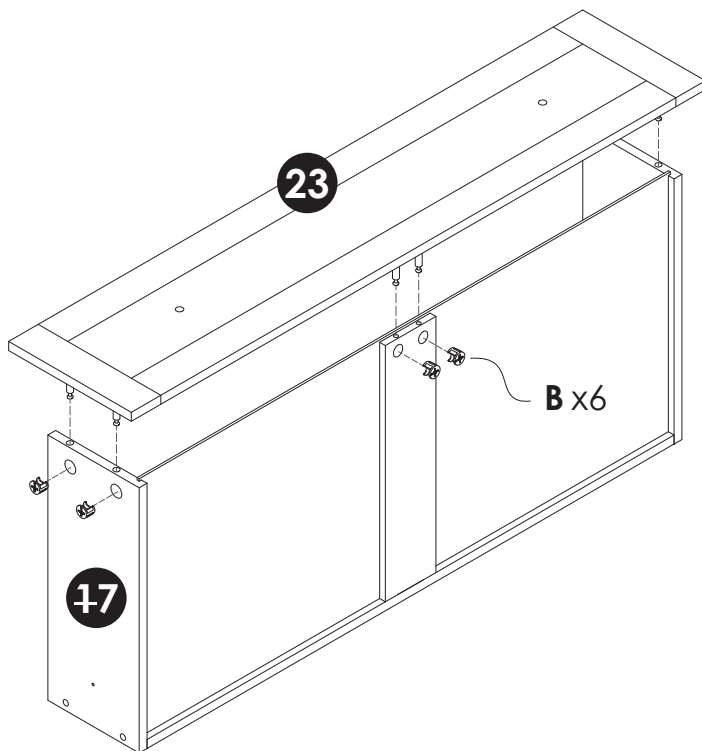
## YOU WILL NEED

**B** x18

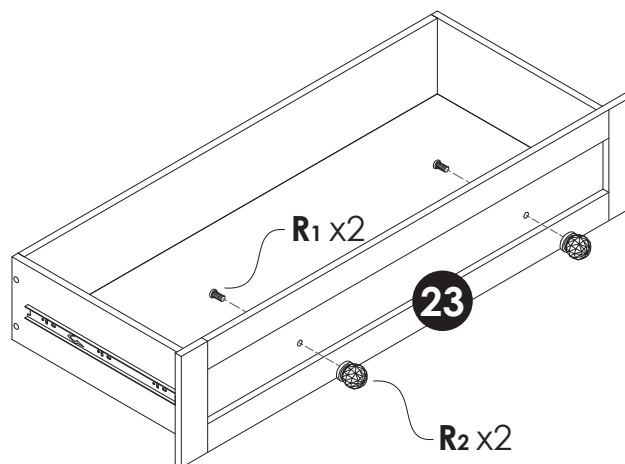
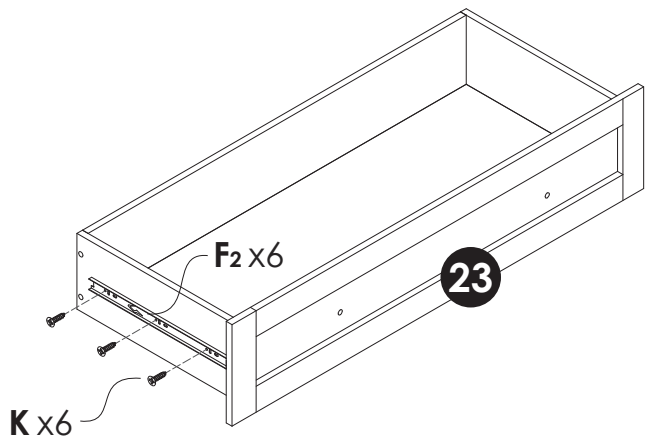
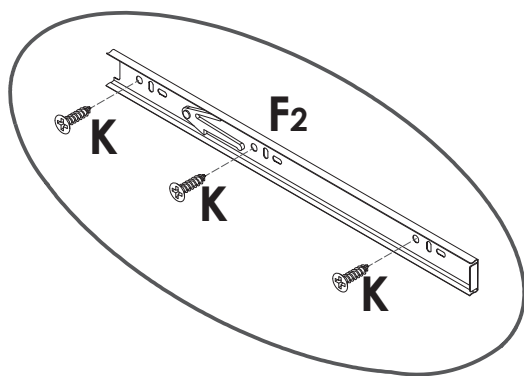
**F<sub>2</sub>** x6

**K** x18

**R** = **R<sub>1</sub>** + **R<sub>2</sub>** x6



x3



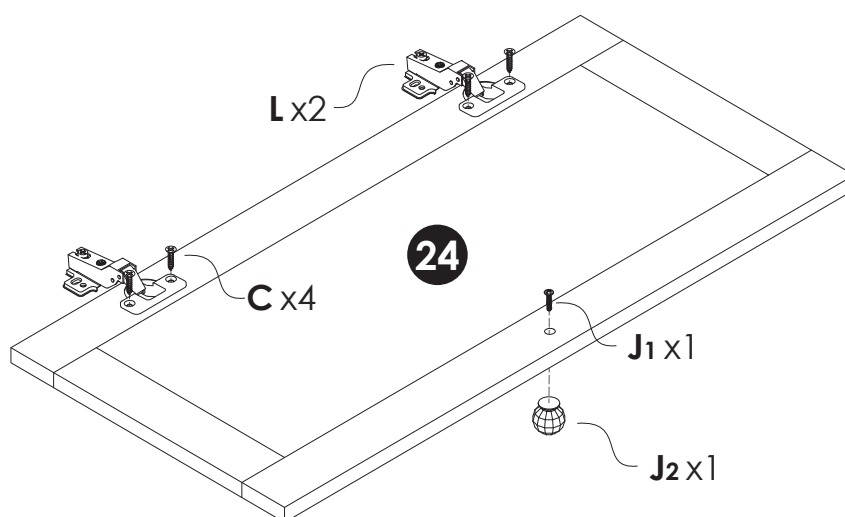
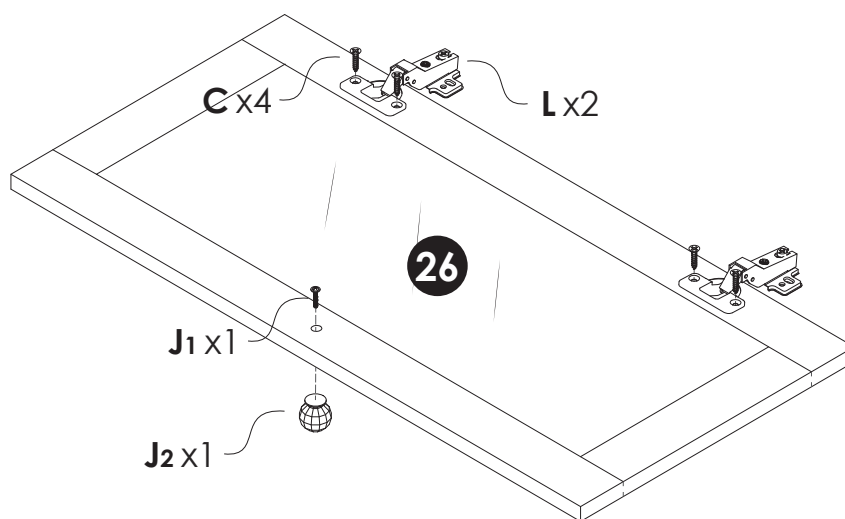
# 31

## YOU WILL NEED

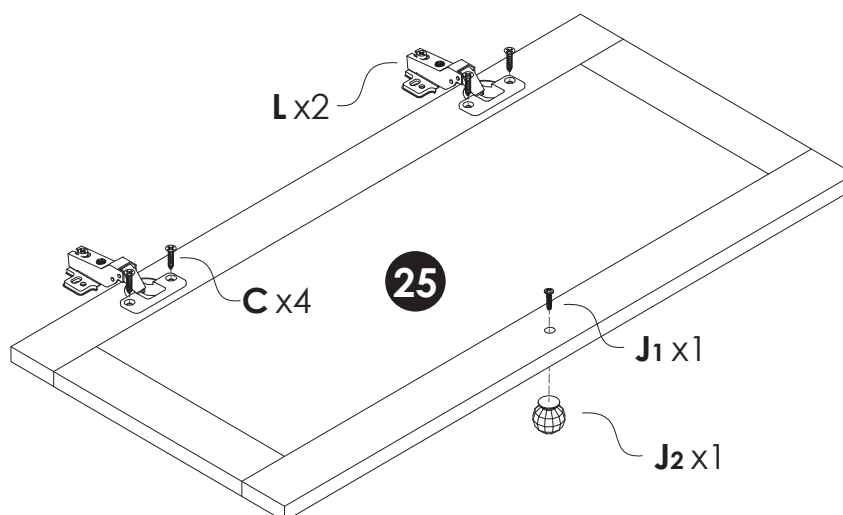
C x16

J = J<sub>1</sub> + J<sub>2</sub> x4

L x8



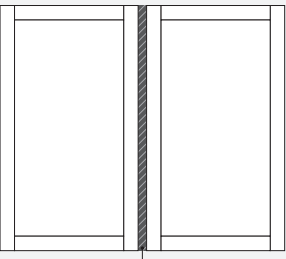
x2



# The ways to adjust the door

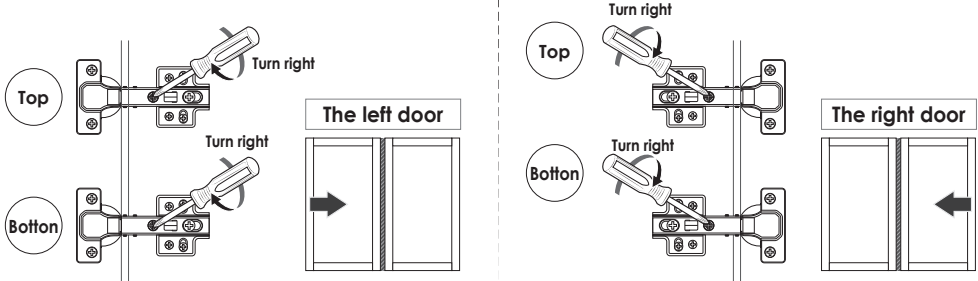
- ▶ Before adjusting the hinge, please check whether the cabinet is skewed.
- ▶ If the skew can not be repaired, adjust the cabinet to vertical position.
- ▶ Please adjust the hinge with the door open.

**Obvious gaps between doors or Doors don't look closed**



Have gap

**1** Turn "internal & external screw" to the right can make the door approach inside. Please adjust the doors little by little.



Top Turn right

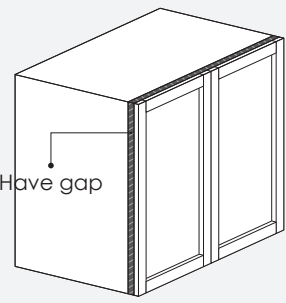
Bottom Turn right

The left door

The right door

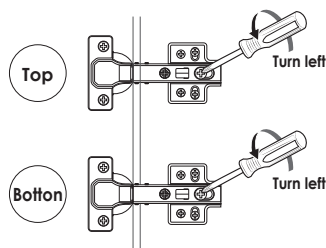
\* If the 2 doors are overlap, please turn the "internal & external screw" to the left.

**When door is crooked**



Have gap

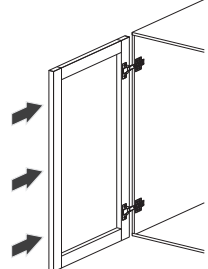
**1** Rotate the "front and rear screws" to the left.



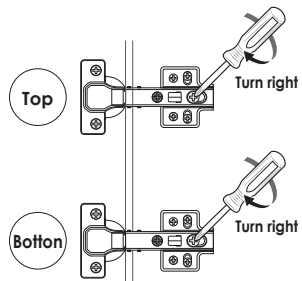
Top Turn left

Bottom Turn left

**2** Push the door to the cabinet.



**3** Rotate the "front and rear screws" to the right.

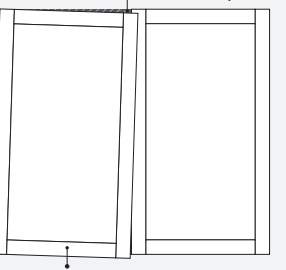


Top Turn right

Bottom Turn right

\*After adjusting the "front and rear screw", the door still does not change, please turn the "internal & external screw" to the right Slightly.

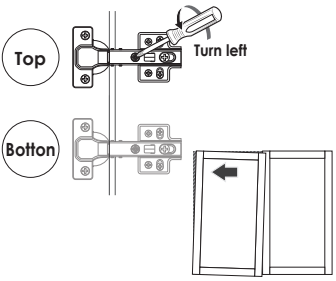
**When door is leaning**



Overlap

Protruding to the underside

Turn "internal & external screw" to the left can make the top of the door tilted outward.



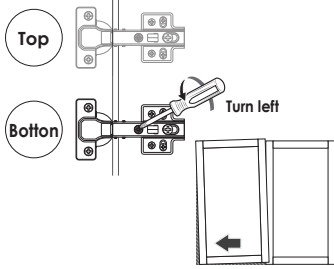
Top Turn left

Bottom

Protruding to the upside

Overlap

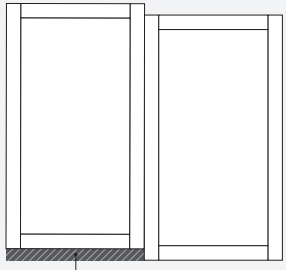
Turn "internal & external screw" to the left can make the bottom of the door tilted outward.



Top

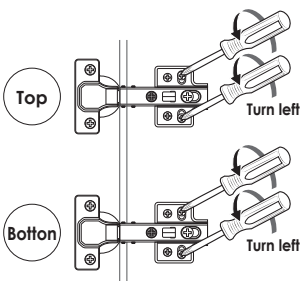
Bottom Turn left

**When the door is higher on top**



Have gap

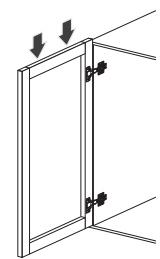
**1** Turn "up & down screw" to the left.



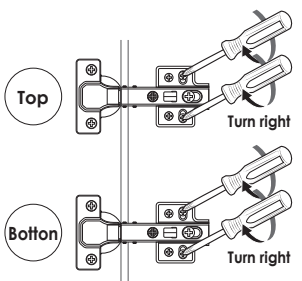
Top Turn left

Bottom Turn left

**2** Lower the door's height so that 2 doors are of the same height.



**3** Turn "up & down screw" to the right.



Top Turn right

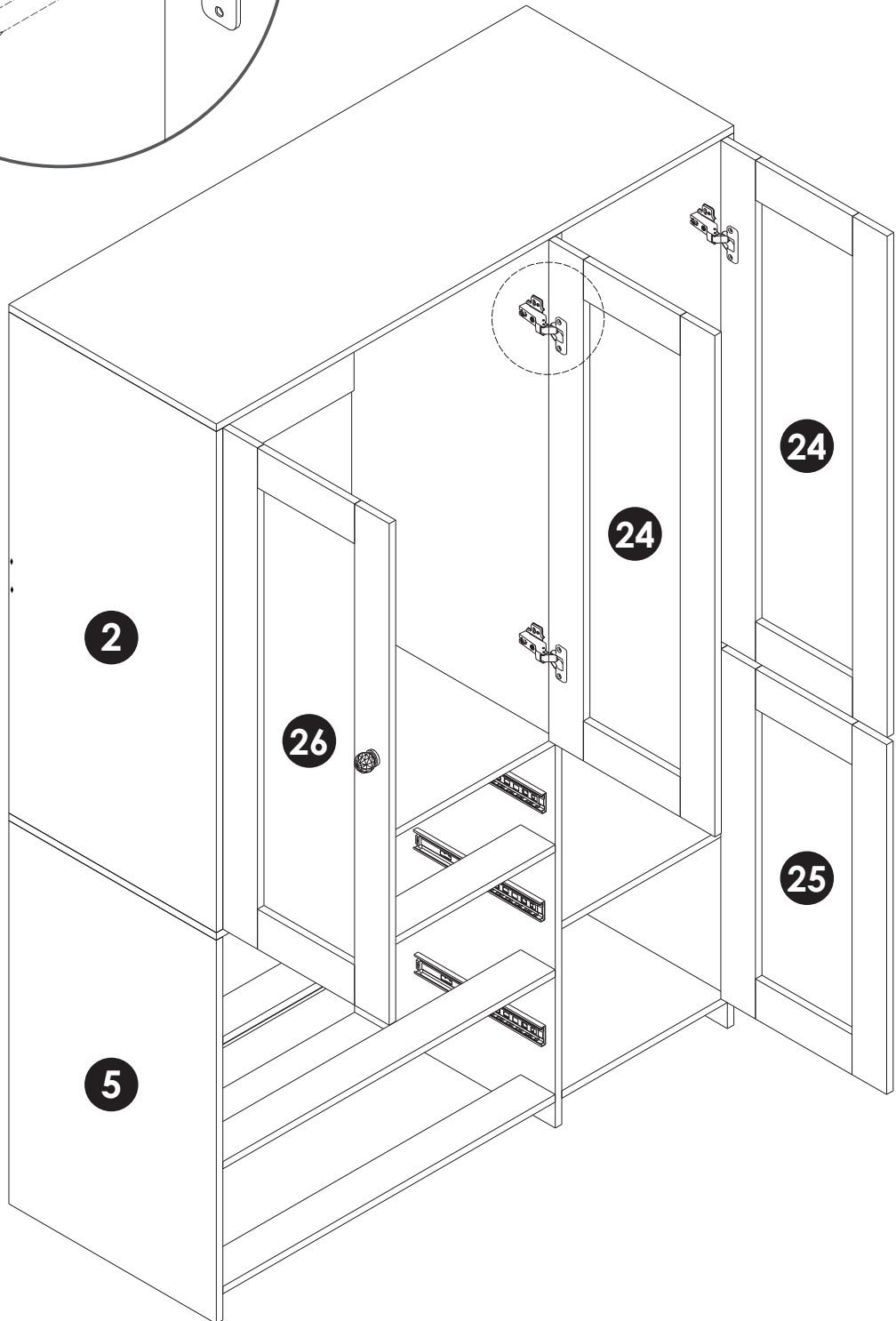
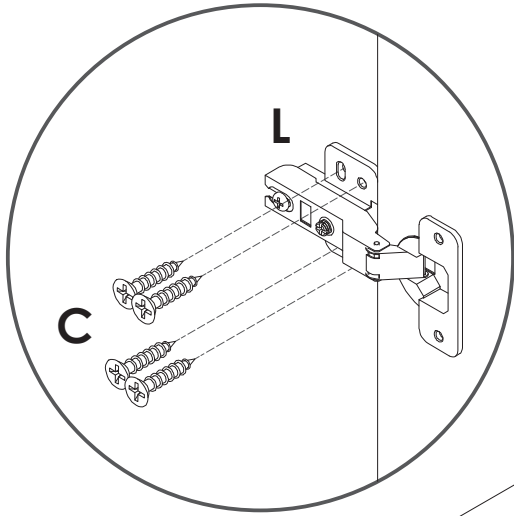
Bottom Turn right

\*If the door is lower on bottom, please lift up the left door slightly on step 2.

# 32

## YOU WILL NEED

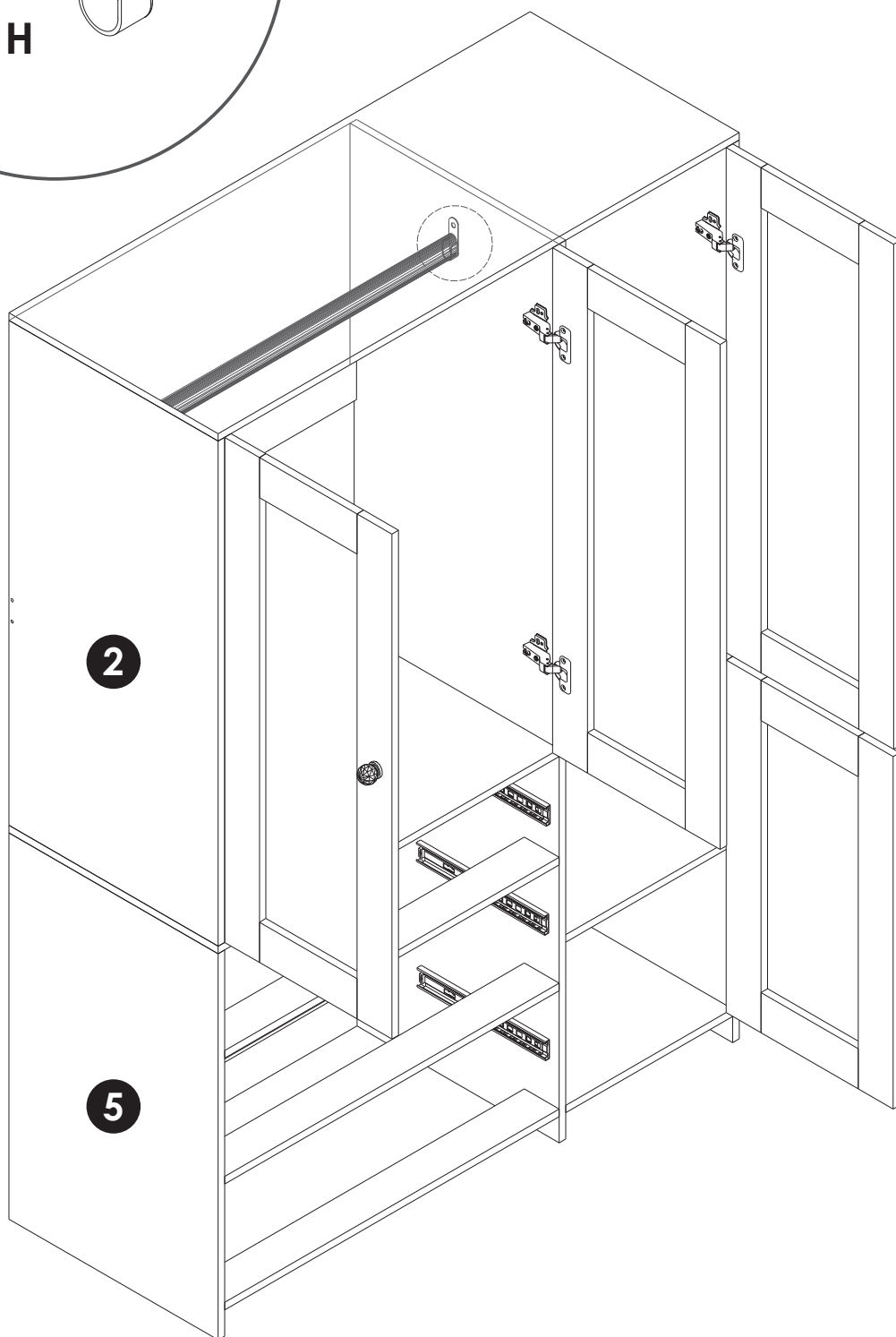
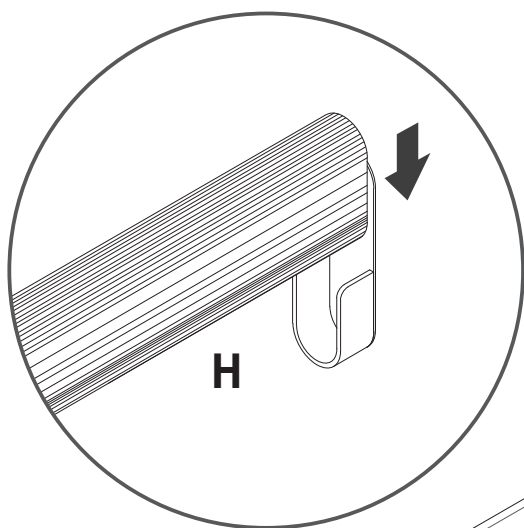
C x32



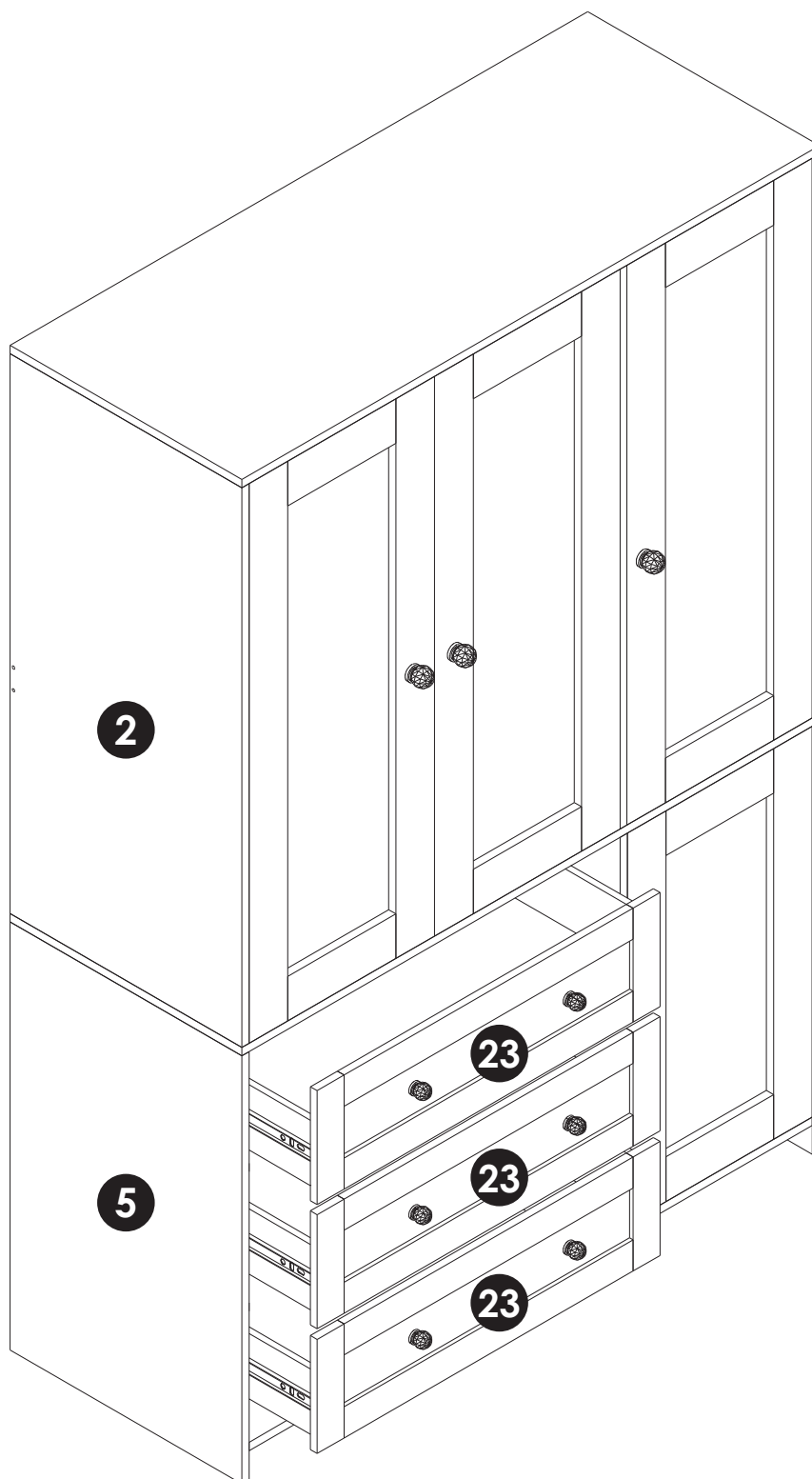
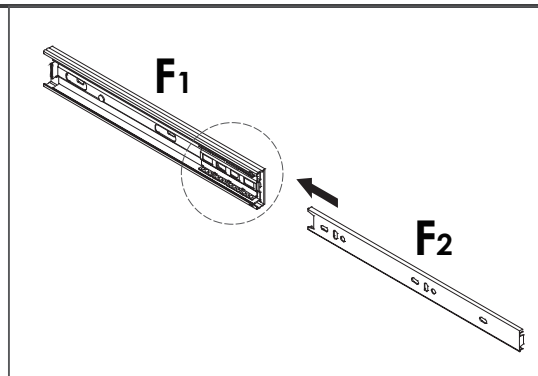
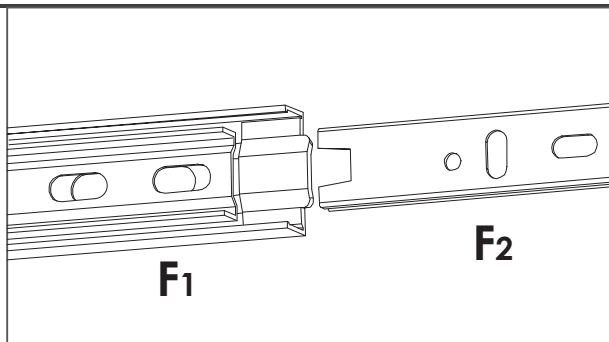
# 33

YOU WILL NEED

H x1



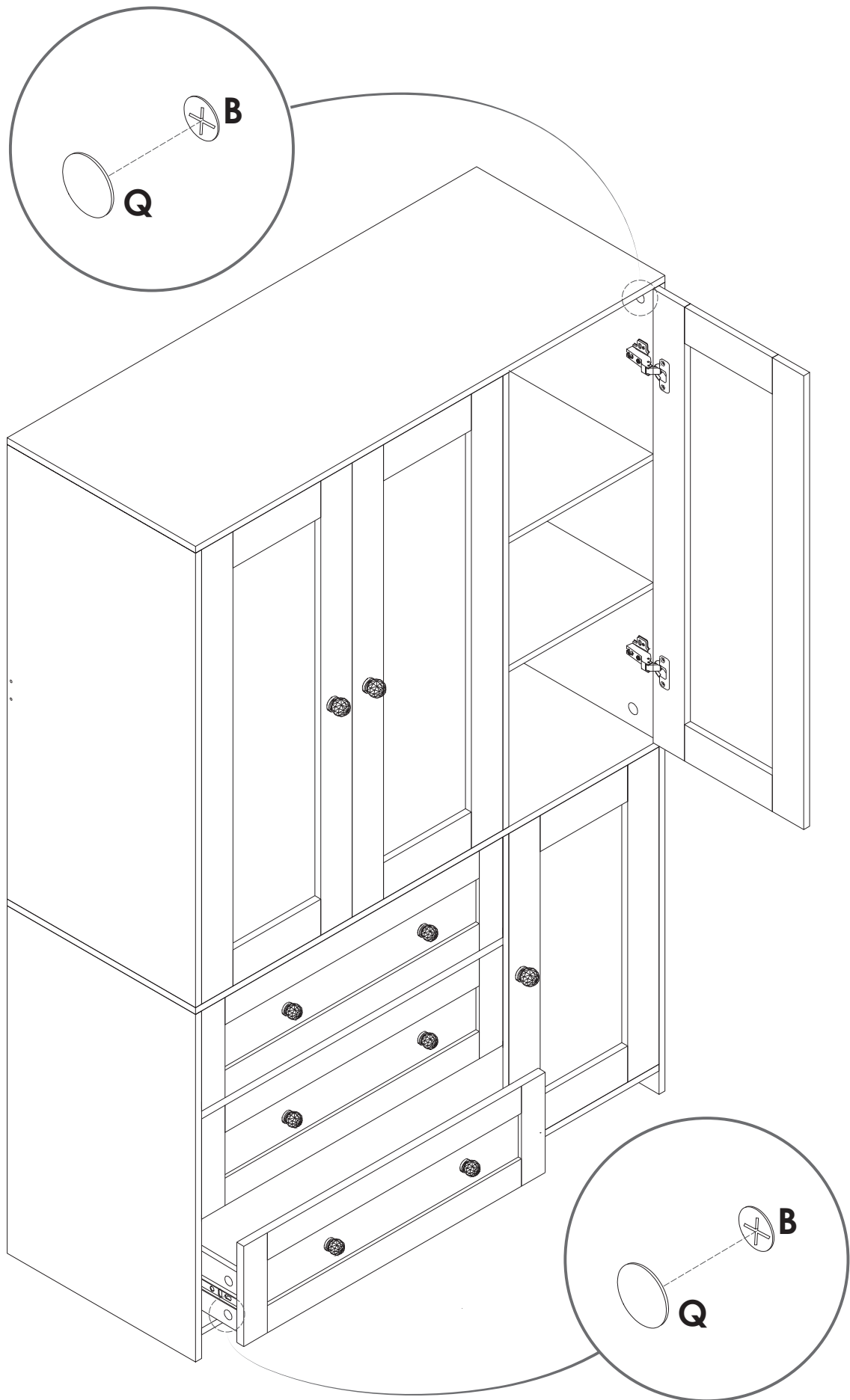
# 34



# 35

YOU WILL NEED

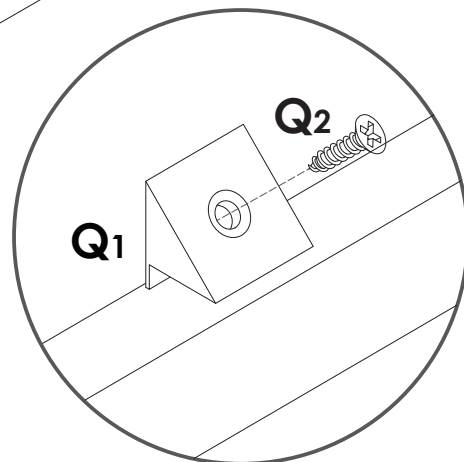
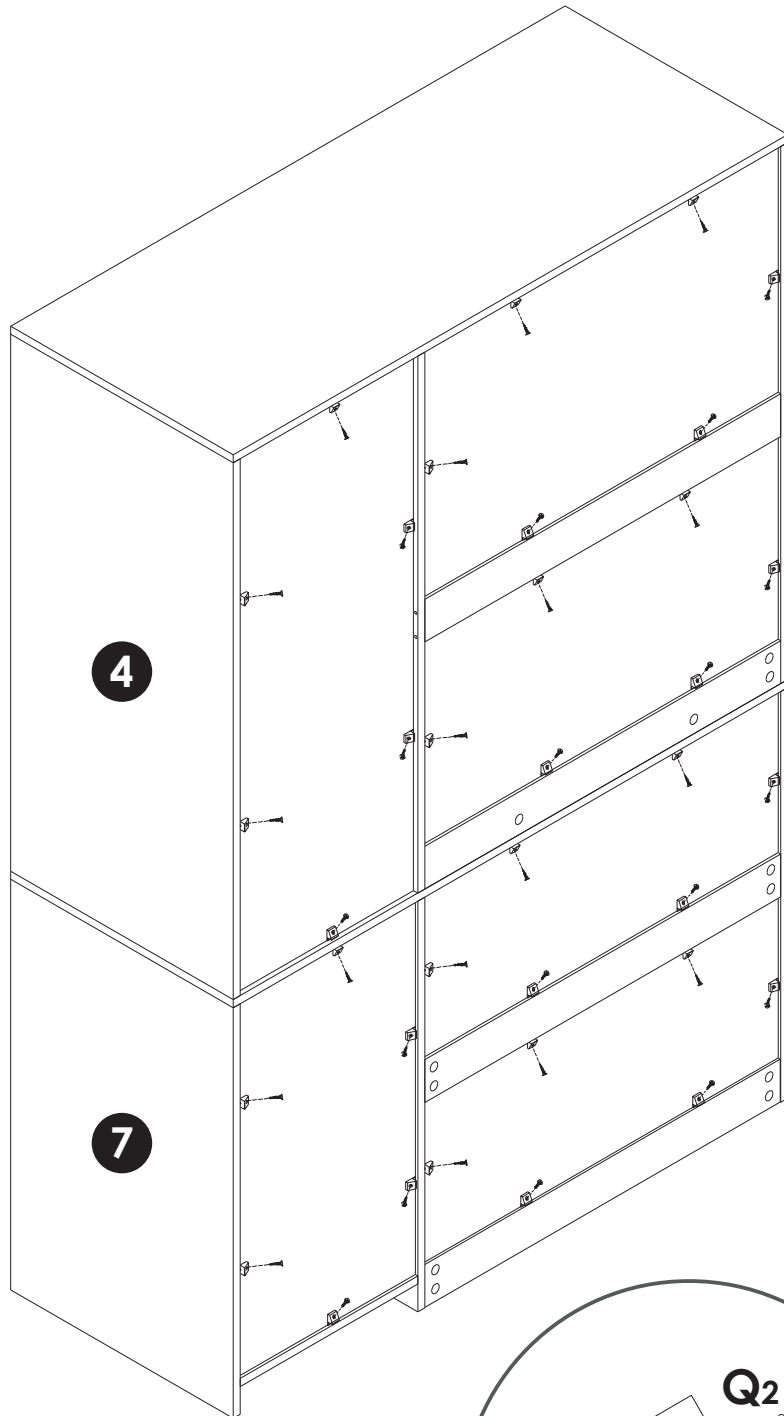
P x78



# 36

## YOU WILL NEED

Q = Q1 + Q2 x36



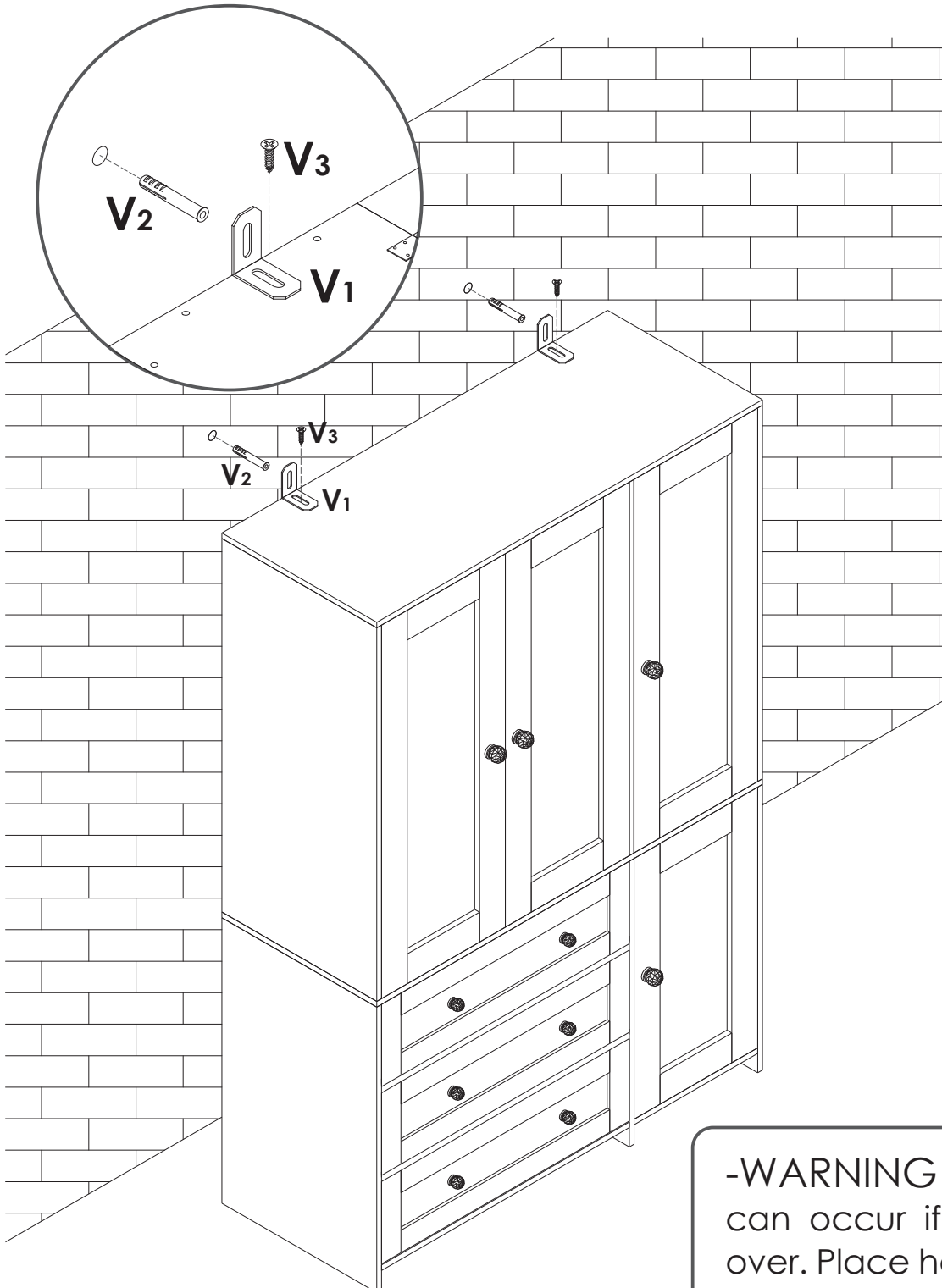
# 37

## YOU WILL NEED

V = V<sub>1</sub> + V<sub>2</sub> + V<sub>3</sub> X2

### IMPORTANT!

For safety reasons, we recommend that you install the anti-tip accessory by following the instructions below. If installed correctly, this accessory may prevent the unit from accidentally tipping over.

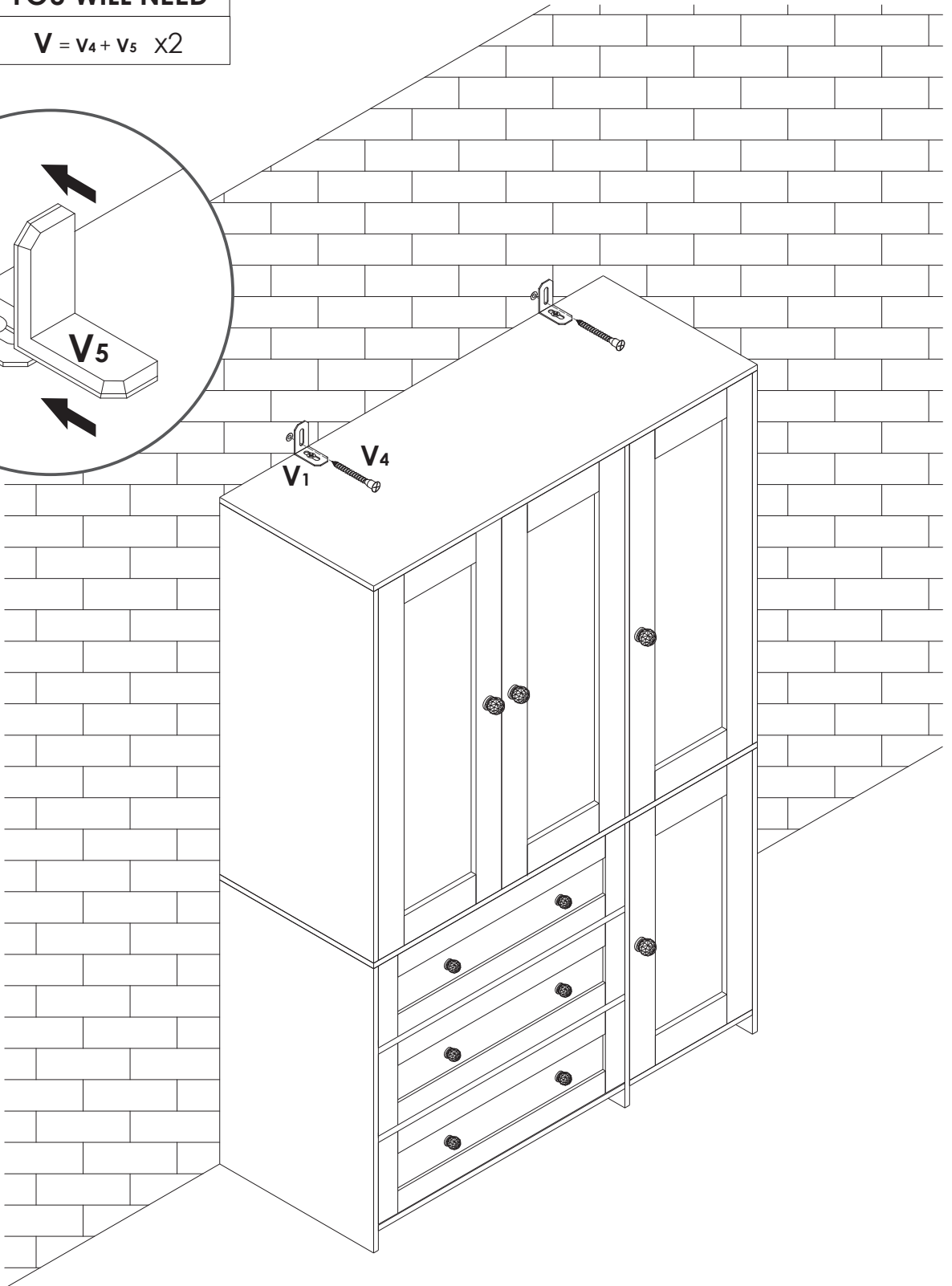
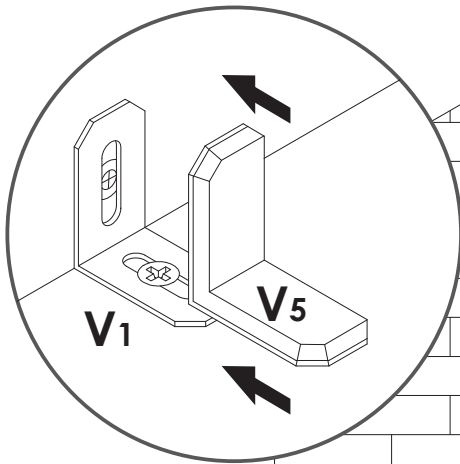


**-WARNING** -Serious injury can occur if furniture tips over. Place heavy items on lower shelved and as far back as possible.

# 38

## YOU WILL NEED

$$V = V_4 + V_5 \times 2$$



## WARRANTY

We provide an **18-month** warranty on the product starting from the date of the original purchase. If the product has any manufacturing defect, please contact us through email with details about the problem. We will send you further information about the return or exchange.