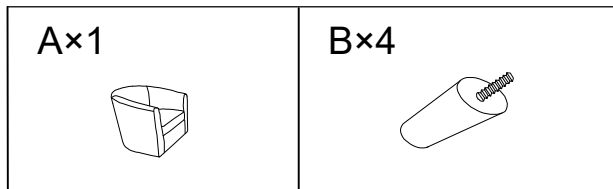


# Assembly Instructions

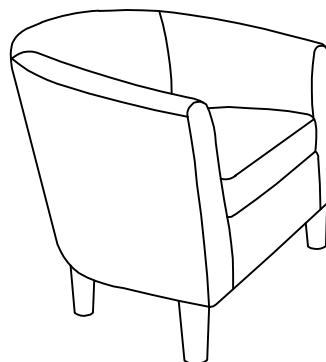
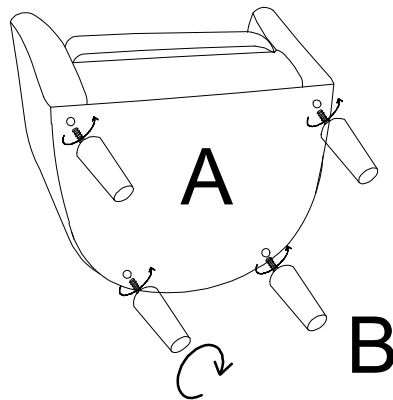
Your chair comes packaged in one box. Carefully remove all of components from the packaging and set aside for assembly.

CAUTION:  
DO NOT use any sharp objects to open plastic wrapped components as damage to product or components may result.

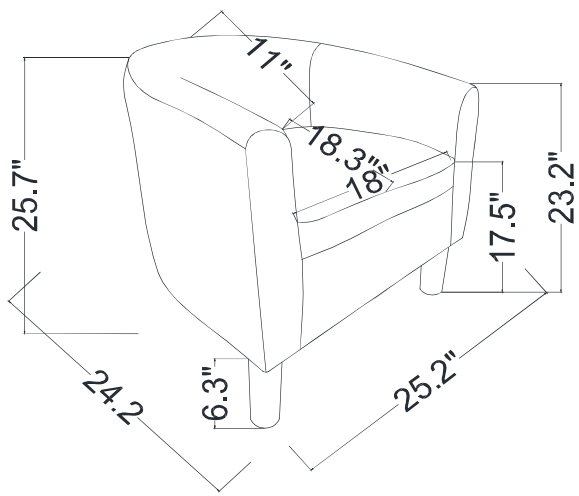
## Package Contents



## Step1



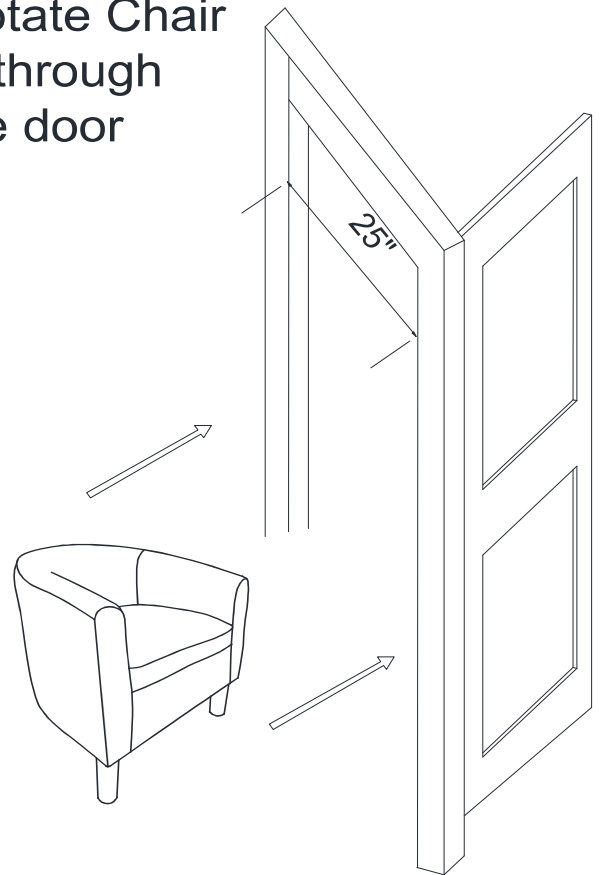
Finished Product



Seat cushion  
Seat Capacity : 330Lbs

\*Rotate Chair  
fit through  
the door

Minimum  
Doorframe  
Width 25"



# Warnings

1. Please check if the components of the chair are all included and can be used normally.
2. Assemble all components according to the instruction correctly before you connect the chair to the power.
3. Please DO NOT sit on the armrests or footrest to eliminate the risk of tipping over.
4. If the chair is damaged or doesn't match the website description, please send clear pictures of the product and label of the carton to our service team for further help.
5. If the recliner doesn't work, you may try the following measures for self-checking firstly:
  - a) Check if all the cables are connected;
  - b) Check if the light of transformer is on.

If the chair still doesn't work, please feed the information back to our customer service in time and we'll help you solve the matter as soon as possible.

