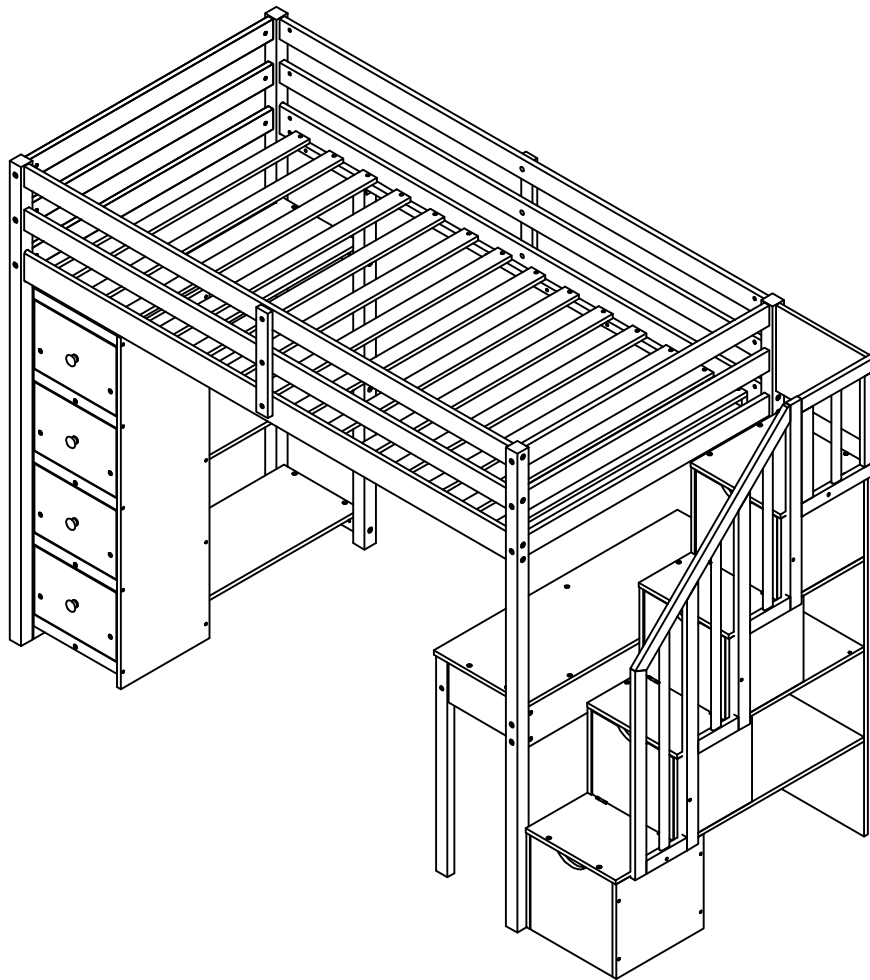


# ASSEMBLY INSTRUCTIONS

## LOFT BED WITH TABLE AND 4 DRAWERS CHEST





# **SAFETY WARNING**



1. This bed is designed for use only mattress (es) meeting the following specifications on the upper bunk, and lower bunk:

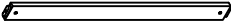
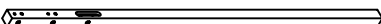
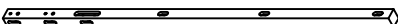
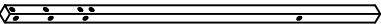
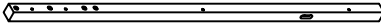
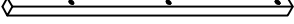
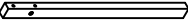
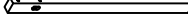

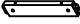



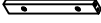
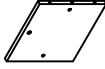

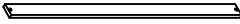
Upper bunk (Bunk bed and tribed included)

Bed type	Length	Width	Thickness
Twin Standard	74"-75"	38 1/2"	6"

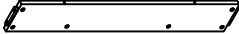
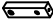


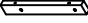

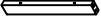
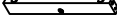
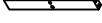

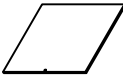

2. Replacement parts, including additional guardrails, maybe obtained from any of our dealers
3. Follow the information on the warnings appearing on the upper bunk bed end structure and on the carton. Do not remove warning label from bed.
4. Always use the recommended size mattresses or mattress supports, or both, to help prevent the likelihood of entrapment or falls.
5. Surface of mattress must be at least 5" (127mm) below the upper edge of guardrails.
6. Do not allow children under 6 years of age to use the upper bunk.
7. Periodically check and ensure that the guardrail, ladder, and other components are in their proper position, free from damage, and that all connectors are tight.
8. Do not allow horseplay on or under the bed and prohibit jumping on the bed.
9. Always use the ladder for entering and leaving the upper bunk.
10. Do not use substitute part. Contact the manufacture or dealer for replacement part.
11. Use of a night light may provide added safety precaution for a child using the upper bunk.
12. Always use guardrails on both long sides of the upper bunk. If the bunk bed will be placed next to the wall, the guardrail that runs the full length of the bed should be placed against the wall to prevent entrapment between the bed and wall.
13. The use of water or sleep flotation mattresses is prohibited.
14. **STRANGULATION HAZARD** - Never attach or hang items to any part of the bunk bed that are not designed for use with the bed; for example, but not limited to, hook, belts and jump ropes.
15. Keep these instruction for future reference.
16. Prohibit more than one person on upper bunk
17. We recommend assembling your bunk bed on the shipping carton to protect your floor or carpet.
18. Be certain all staples are out of the box before beginning assembly on the shipping carton.



# Part List



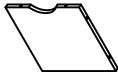
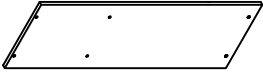


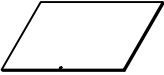
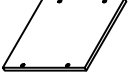



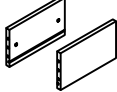

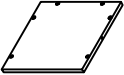



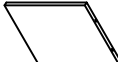
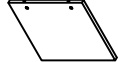
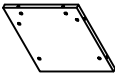
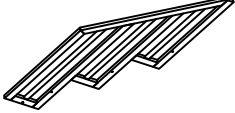
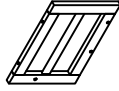

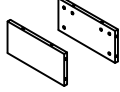

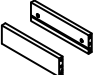
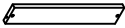
<b>A</b>  Horizontal bar - 6pcs	<b>B</b>  Leg (Left front ) - 1pc	<b>C</b>  Leg (Left back ) - 1pc
<b>D</b>  Leg (Right front ) - 1pc	<b>E</b>  Leg (Right back ) - 1pc	<b>F</b>  Leg short HB (Back ) - 1pc
<b>F1</b>  Leg HB ( front ) - 1pc	<b>F2</b>  Leg HB ( back ) - 1pc	<b>F3</b>  Horizontal bar - 1pc
<b>G</b>  Support horizontal bar(back) - 3pcs	<b>H</b>  Side rail - 2pcs	<b>I</b>  Long guard rail - 4pcs
<b>O2</b>  Lower horizontal bar (Back) - 2pcs	<b>O3</b>  Horizontal bar (Back) - 1pc	<b>T1</b>  Center left/right side panel - 3pcs
<b>T2</b>  Center left side panel - 1pc	<b>Y</b>  Slat - 14pcs	

## Hardware List

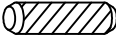

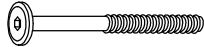





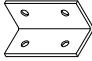




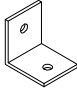



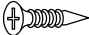

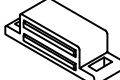

<b>A1</b>  Lower horizontal bar FB - 1pc	<b>F4</b>  Support - 1pc	<b>J</b>  Vertical guard rail - 2pcs
<b>K</b>  Shelf panel HB - 3pcs	<b>L</b>  Support horizontal bar - 3pcs	<b>M3</b>  Shelf panel HB - 3pcs
<b>N</b>  Upper horizontal bar - 2pcs	<b>O</b>  Horizontal bar (Front) - 4pcs	<b>O1</b>  Horizontal bar (Back) - 2pcs
<b>P</b>  Support drawer - 6pcs	<b>Q3</b>  Drawer bottom - 4pcs	<b>R</b>  Lower step ladder panel -1pc

# Part List

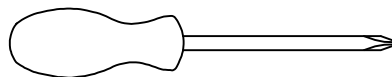
## Hardware List

<b>R1</b>  Lower center step ladder panel -1pc	<b>R2</b>  Upper center step ladder panel -1pc	<b>S</b>  Lower front panel - 1pc
<b>T</b>  Lower left side panel - 1pc	<b>T5</b>  Lower right side panel - 1pc	<b>U</b>  Back panel - 1pc
<b>Z5</b>  Drawer bottom - 2pcs		
<b>M</b>  Top panel - 1pc	<b>M1</b>  Side panel (Left) - 1pc	<b>M2</b>  Side panel (Right) - 1pc
<b>Q</b>  Front drawer panel - 4pcs	<b>Q1</b>  Left / right drawer panel - 8pcs	<b>Q2</b>  Back drawer panel - 4pcs
<b>R3</b>  Upper step ladder panel -1pc	<b>S1</b>  Upper front panel - 3pcs	<b>T3</b>  Upper left side panel - 1pc
<b>T4</b>  Upper right side panel - 1pc	<b>U1</b>  Upper guard back - 1pc	<b>V</b>  Support panel - 2pcs
<b>V1</b>  Support lower panel - 1pc	<b>W</b>  Guard rail -1pc	<b>X</b>  Upper guard rail -1pc
<b>Z</b>  Top panel table - 1pc	<b>Z1</b>  Left / right side panel - 2pcs	<b>Z2</b>  Front drawer panel - 2pcs
<b>Z3</b>  Left / right drawer panel - 4pcs	<b>Z4</b>  Back drawer panel - 2pcs	

# Hardware List

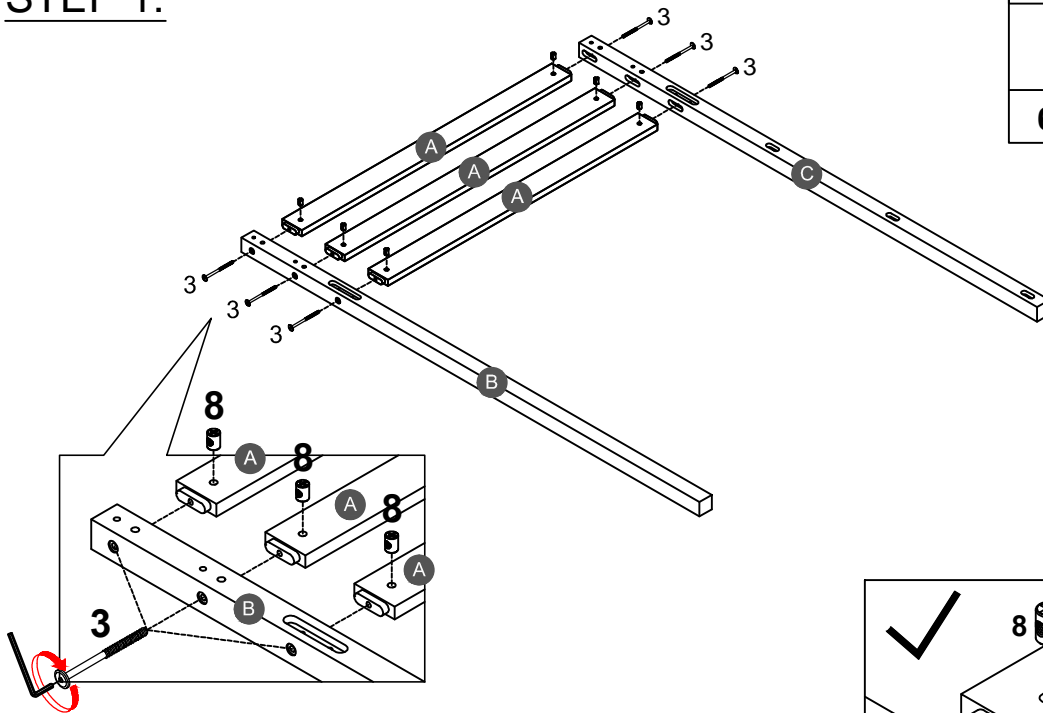
<b>1</b>	 Ø8*30mm Wood dowel (90pcs)	<b>2</b>	 (Ø15)1/4"*100mm Hex-Head bolts (16pcs)	<b>3</b>	 (Ø15)1/4"*80mm Hex-Head bolts (32pcs)
<b>4</b>	 (Ø12)1/4"*60mm Hex-Head bolts (95pcs)	<b>5</b>	 (Ø12)1/4"*40mm Hex-Head bolts (7pcs)	<b>6</b>	 (Ø12)1/4"*30mm Hex-Head bolts (9pcs)
<b>7</b>	 (Ø12)1/4"*40mm Hex-Head bolts (42pcs)	<b>8</b>	 1/4"*15 (9.5mm) Horizontal-Hole bolts(141pcs)	<b>9</b>	 40*17*17*1.6mm Metal bracket (3pcs)
<b>10</b>	 (1/4")4.5*58mm Allen key (1pc)	<b>11</b>	 Ø3.5*15mm Wood screws (10pcs)	<b>12</b>	 266*30mm Upper slider drawer (6pcs)
<b>13</b>	 Ø4*30mm Wood screws (28pcs)	<b>14</b>	 24*28*28*2mm Metal bracket (1pc)	<b>15</b>	 Ø38*31mm Pine Knob (6pcs)
<b>16</b>	 3/16"*25mm Ph zinc(Knob) (6pcs)	<b>17</b>	 Ø10*40mm Wood dowel (8pcs)	<b>18</b>	 Ø3.5*15mm Wood screws (32pcs)
<b>19</b>	 ø3.5*12 mm Wood screws (24pcs)	<b>20</b>	 45*17*13mm Door catch (3pcs)	<b>21</b>	 42*12*1mm Metal magnet (3pcs)



## ASSEMBLY TOOLS REQUIRED ( NOT INCLUDED )



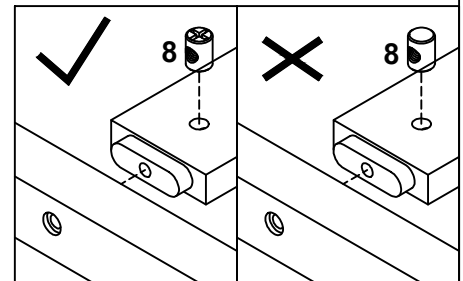
PLEASE BE CAREFUL DO NOT DAMAGE THE HOLE POSITION WHEN YOU USE POWER TOOLS !

## STEP 1:

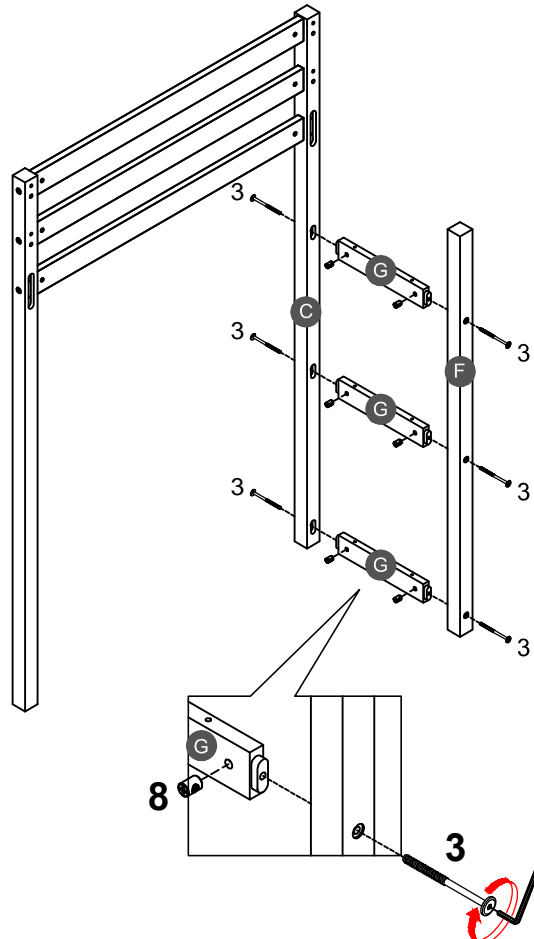




3		8	
6PCS		6PCS	

Note: Part 8 will face up with the "x" mark on it, otherwise it cannot be tightened

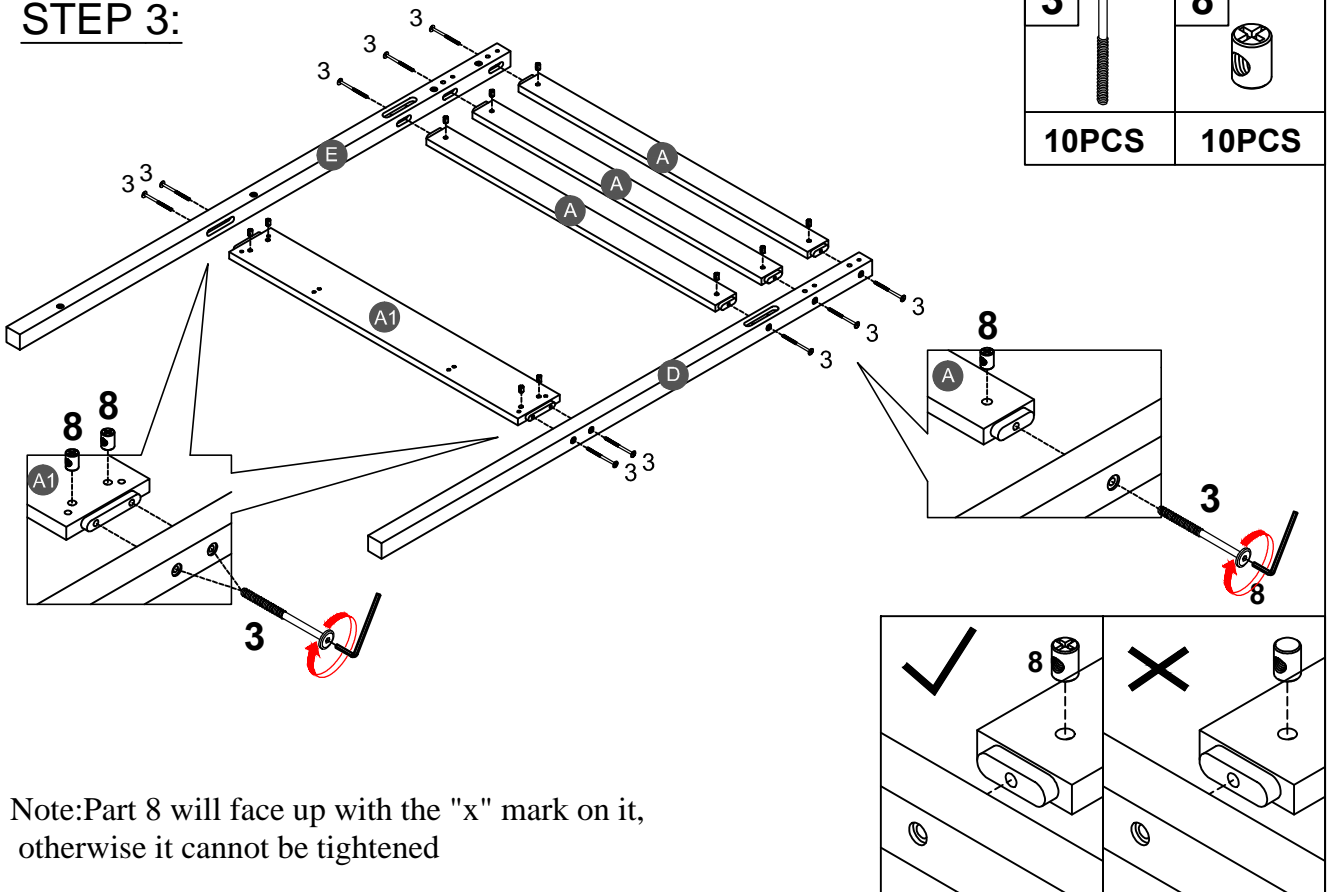


## STEP 2:

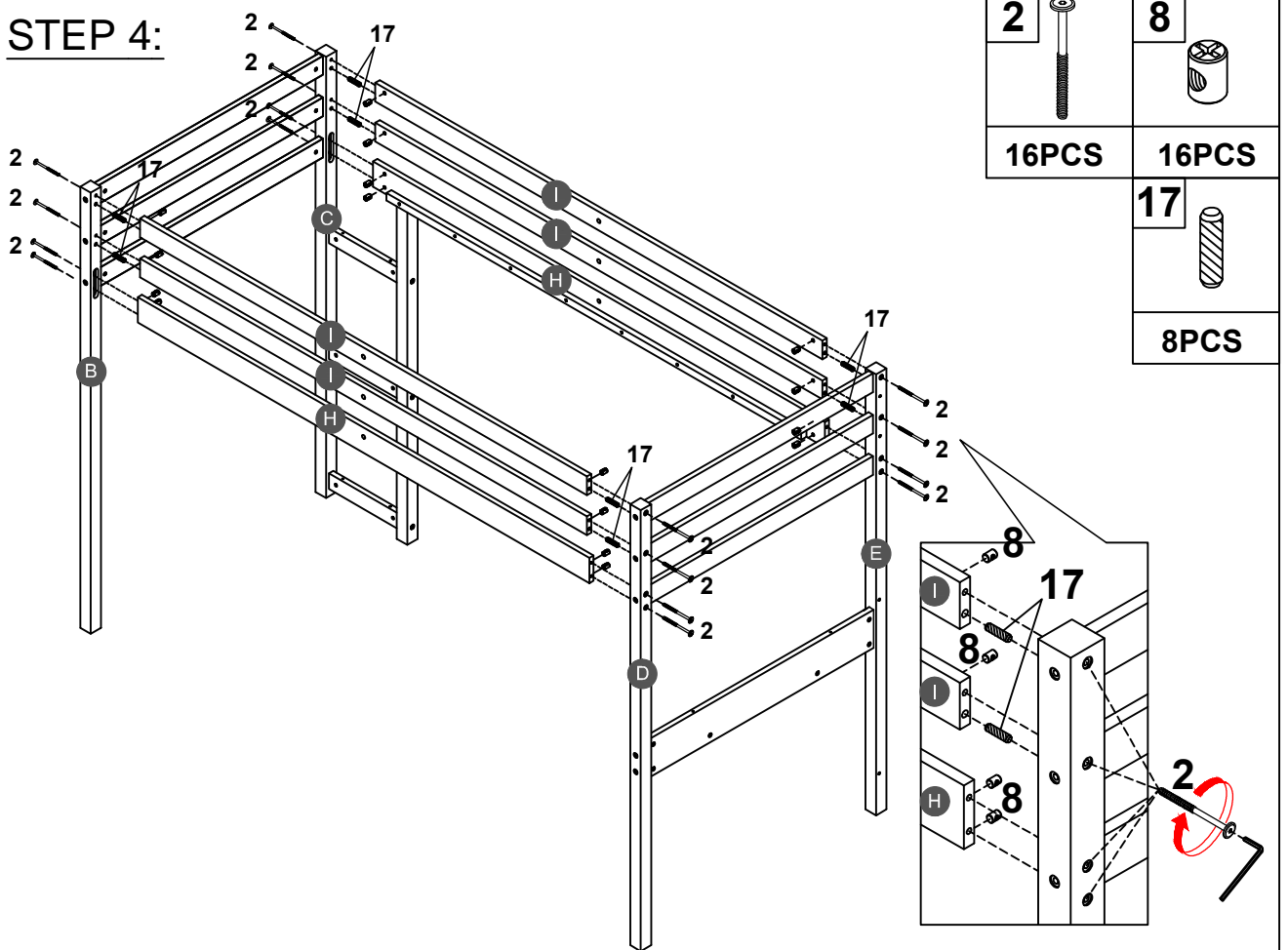


3		8	
6PCS		6PCS	

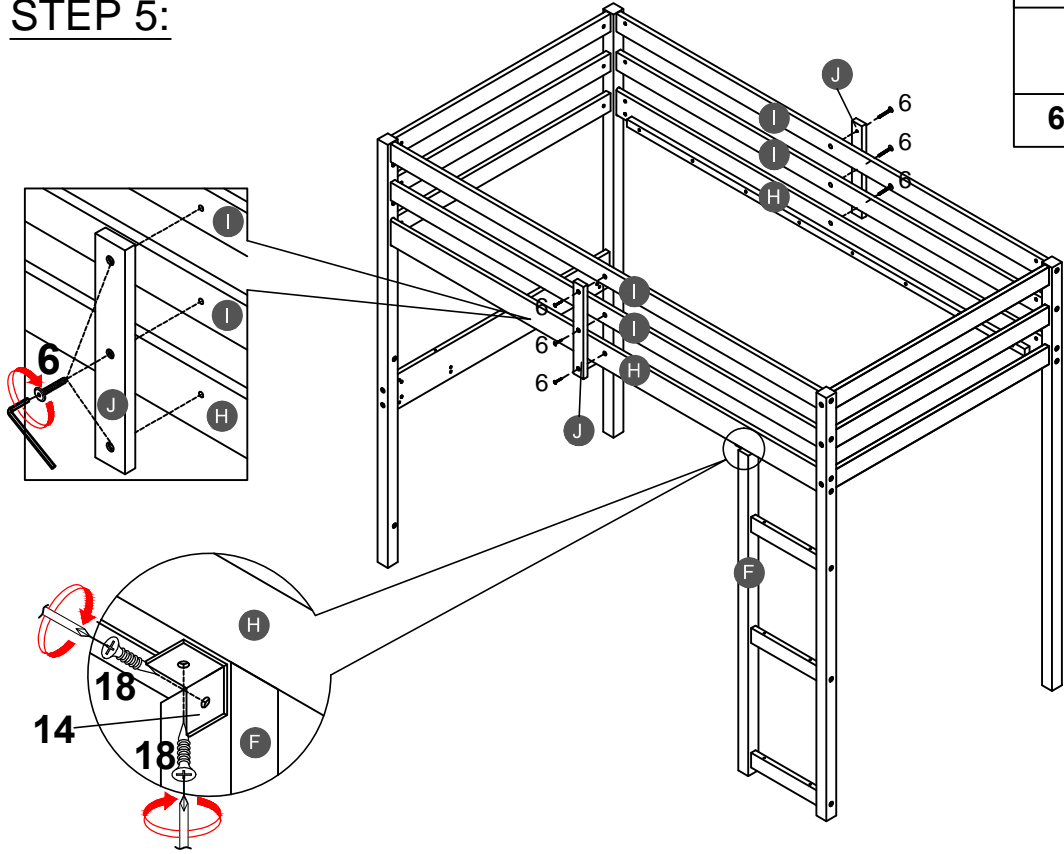
### STEP 3:



### STEP 4:

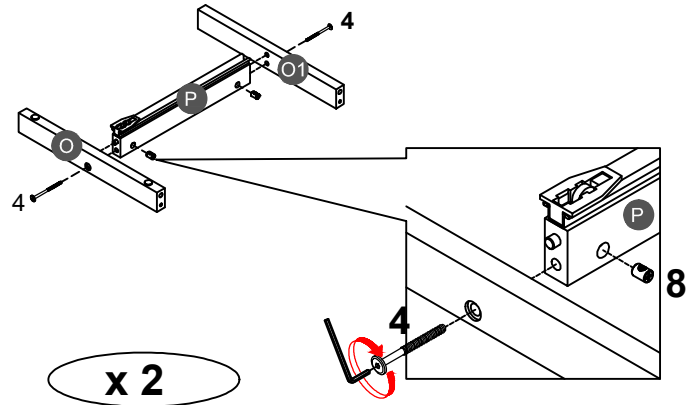


**STEP 5:**



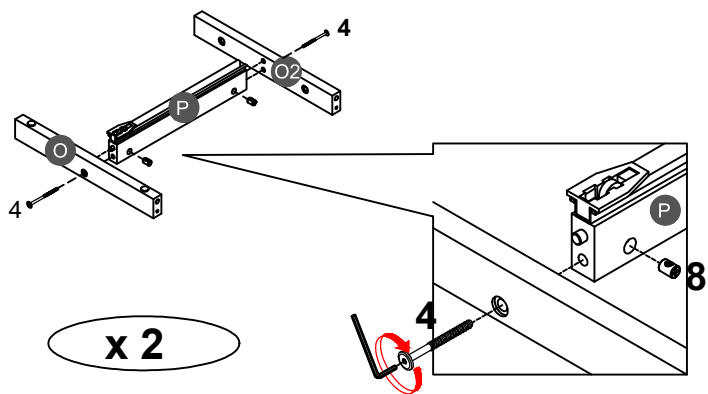
<b>6</b>		<b>14</b>	
<b>6PCS</b>		<b>1PC</b>	
		<b>18</b>	
		<b>2PCS</b>	

**STEP 6:**





<b>4</b>		<b>8</b>	
<b>4PCS</b>		<b>4PCS</b>	

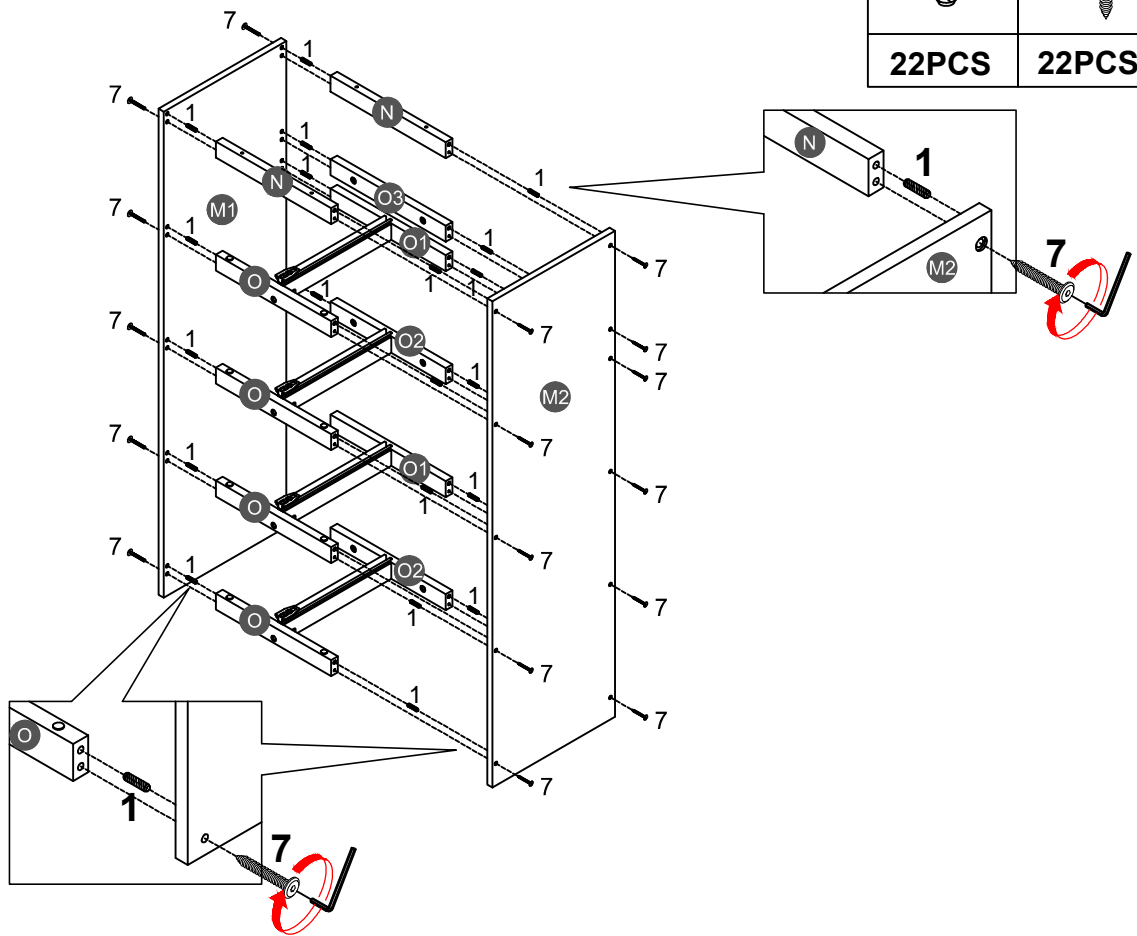
**STEP 7:**




<b>4</b>		<b>8</b>	
<b>4PCS</b>		<b>4PCS</b>	

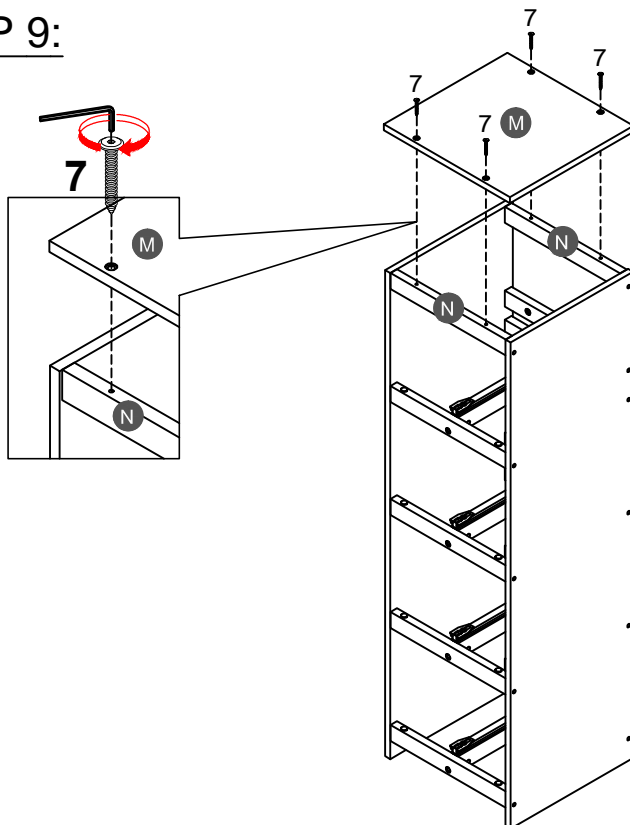
**STEP 8:**

<b>1</b>		<b>7</b>	
<b>22PCS</b>		<b>22PCS</b>	



**STEP 9:**

<b>7</b>	
<b>4PCS</b>	

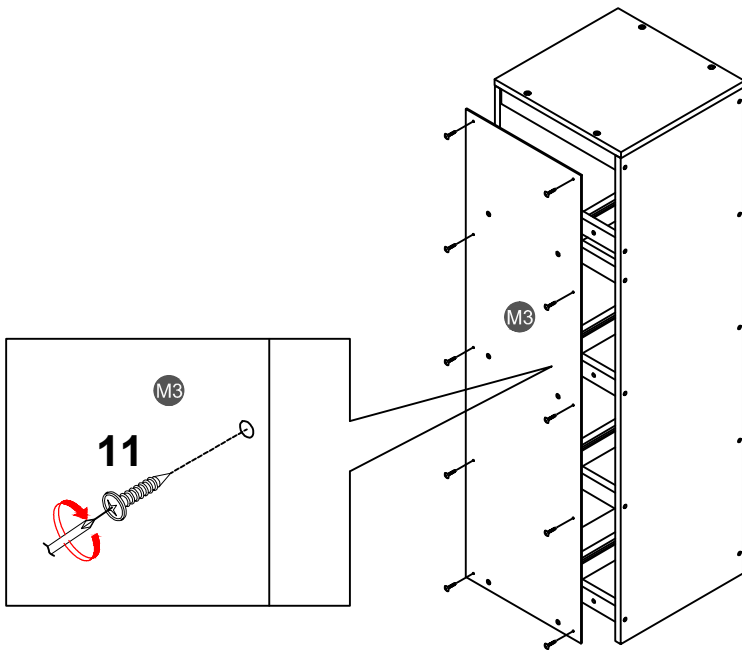


**STEP 10:**

**11**



**10PCS**

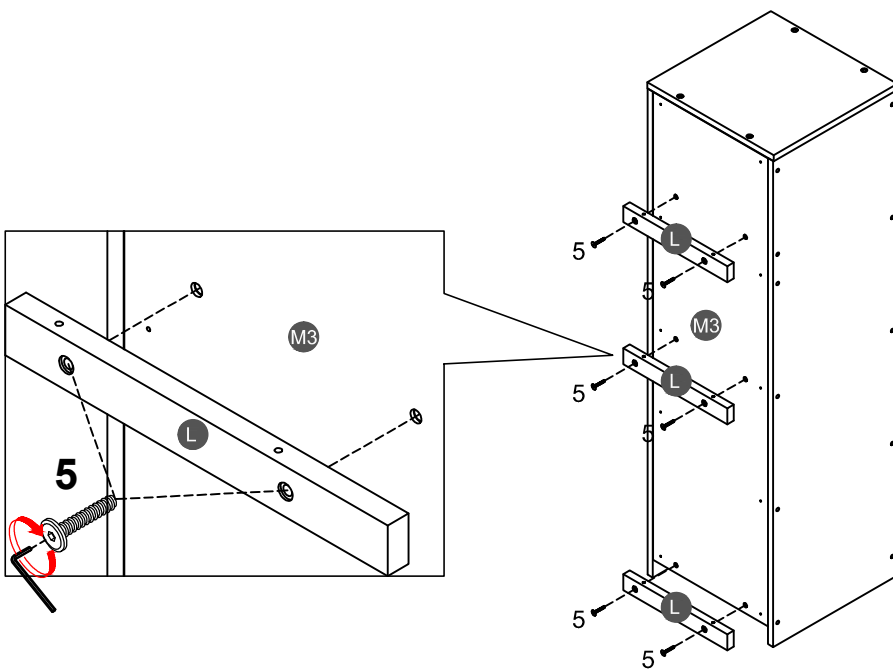


**STEP 11:**

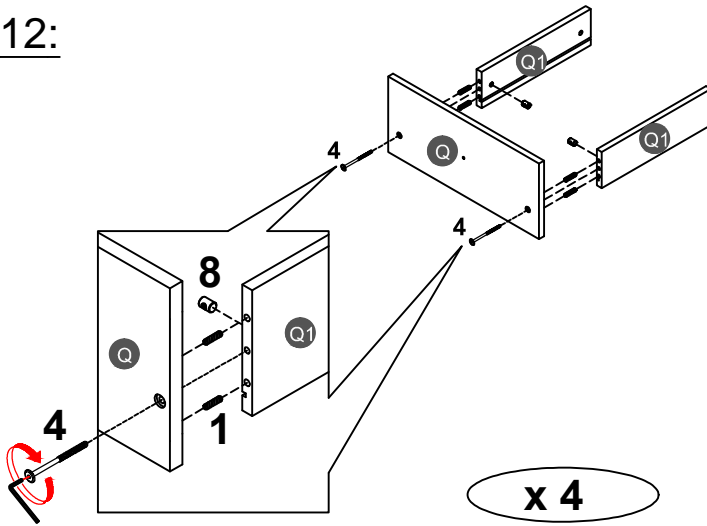
**5**






**6PCS**

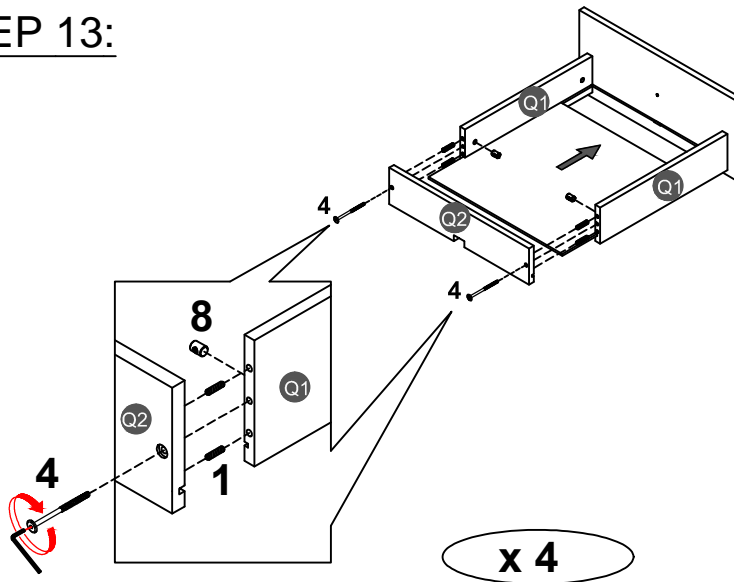





**STEP 12:**



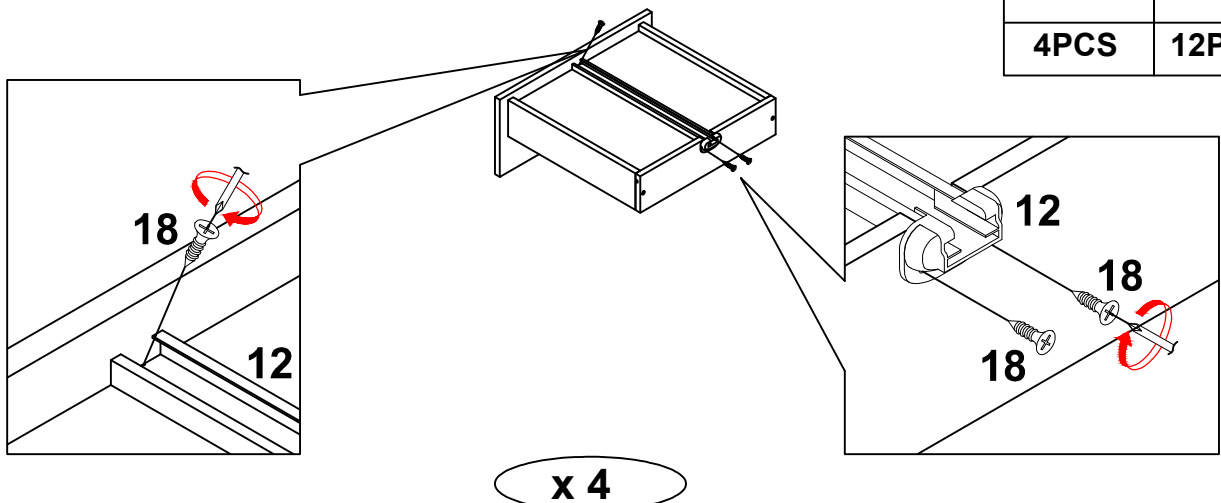
<b>1</b>		<b>8</b>	
<b>16PCS</b>		<b>8PCS</b>	
		<b>4</b>	
		<b>8PCS</b>	



**STEP 13:**



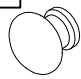

<b>1</b>		<b>8</b>	
<b>16PCS</b>		<b>8PCS</b>	
		<b>4</b>	
		<b>8PCS</b>	

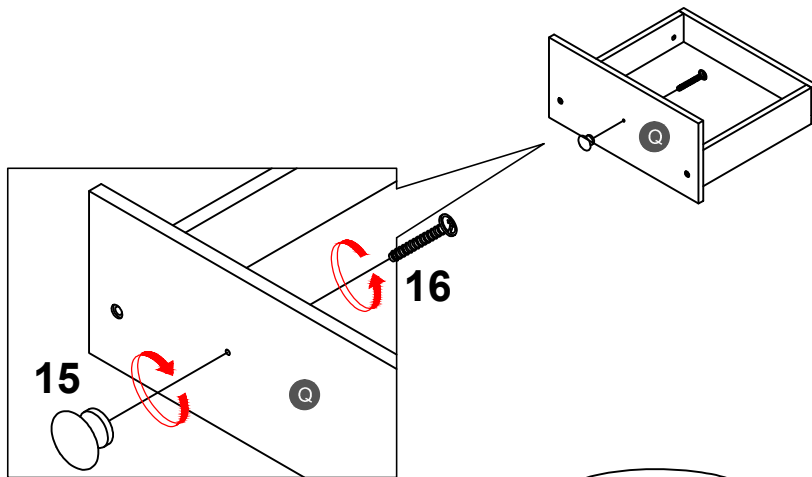
**STEP 14:**



<b>12</b>		<b>18</b>	
<b>4PCS</b>		<b>12PCS</b>	

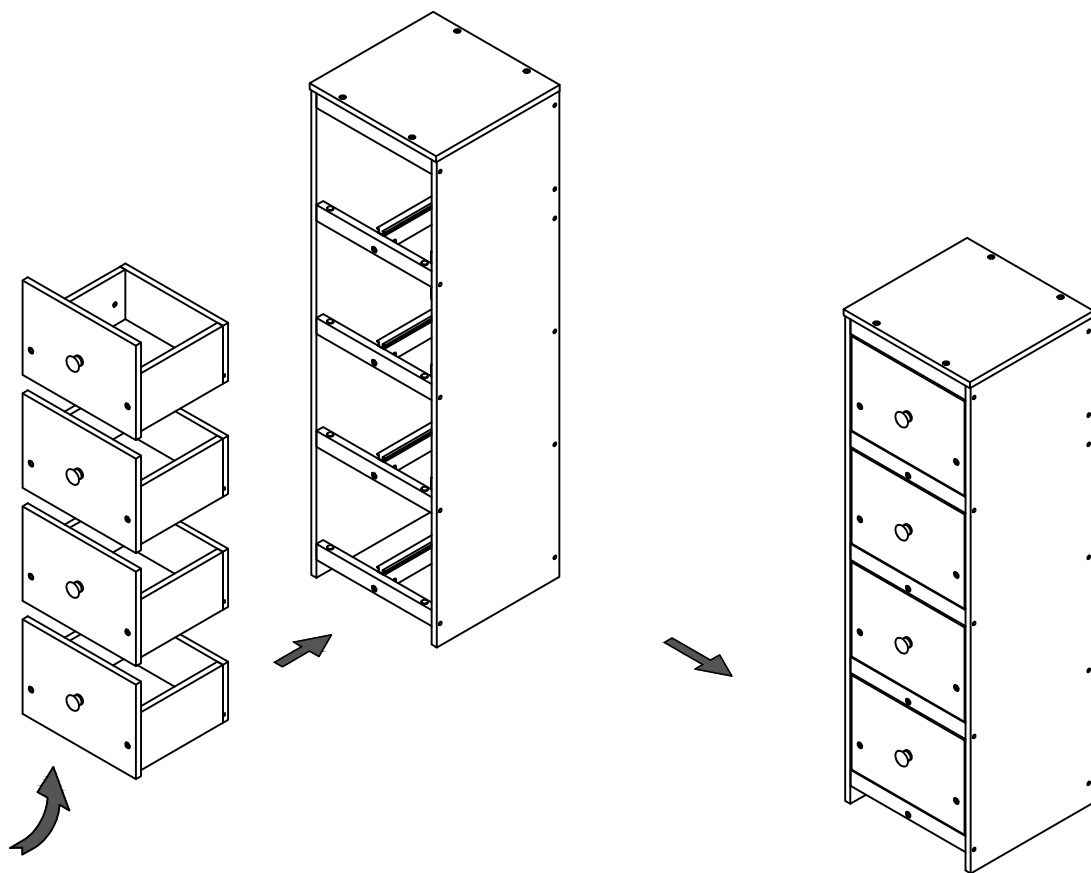
STEP 15:

<b>15</b>		<b>16</b>	
<b>4PCS</b>		<b>4PCS</b>	

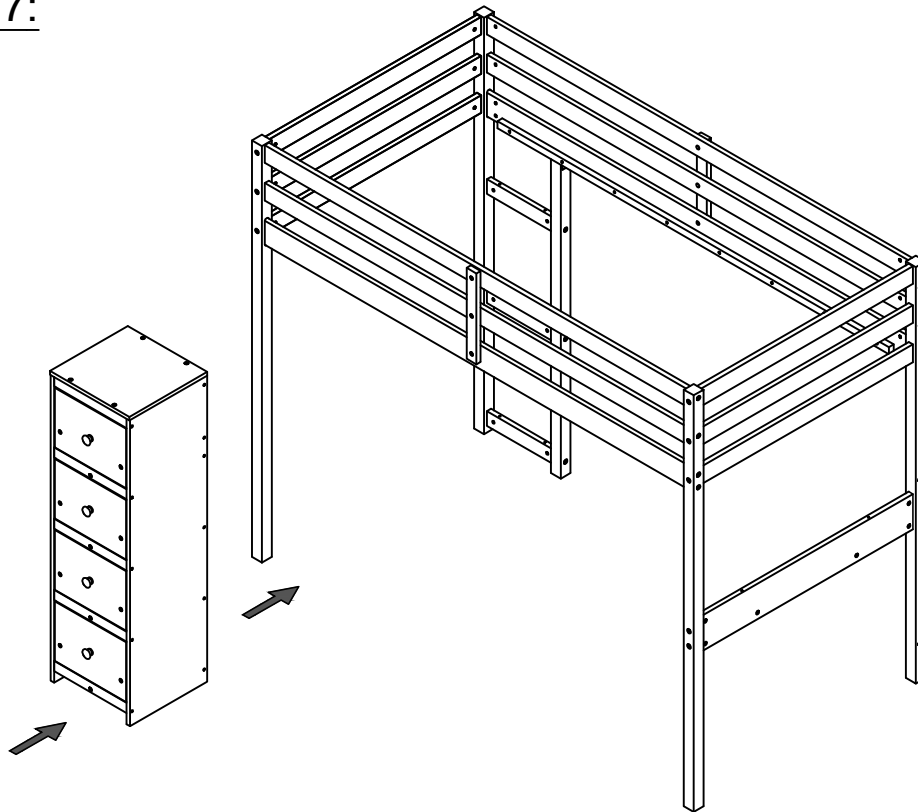


x 4


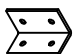

STEP 16:

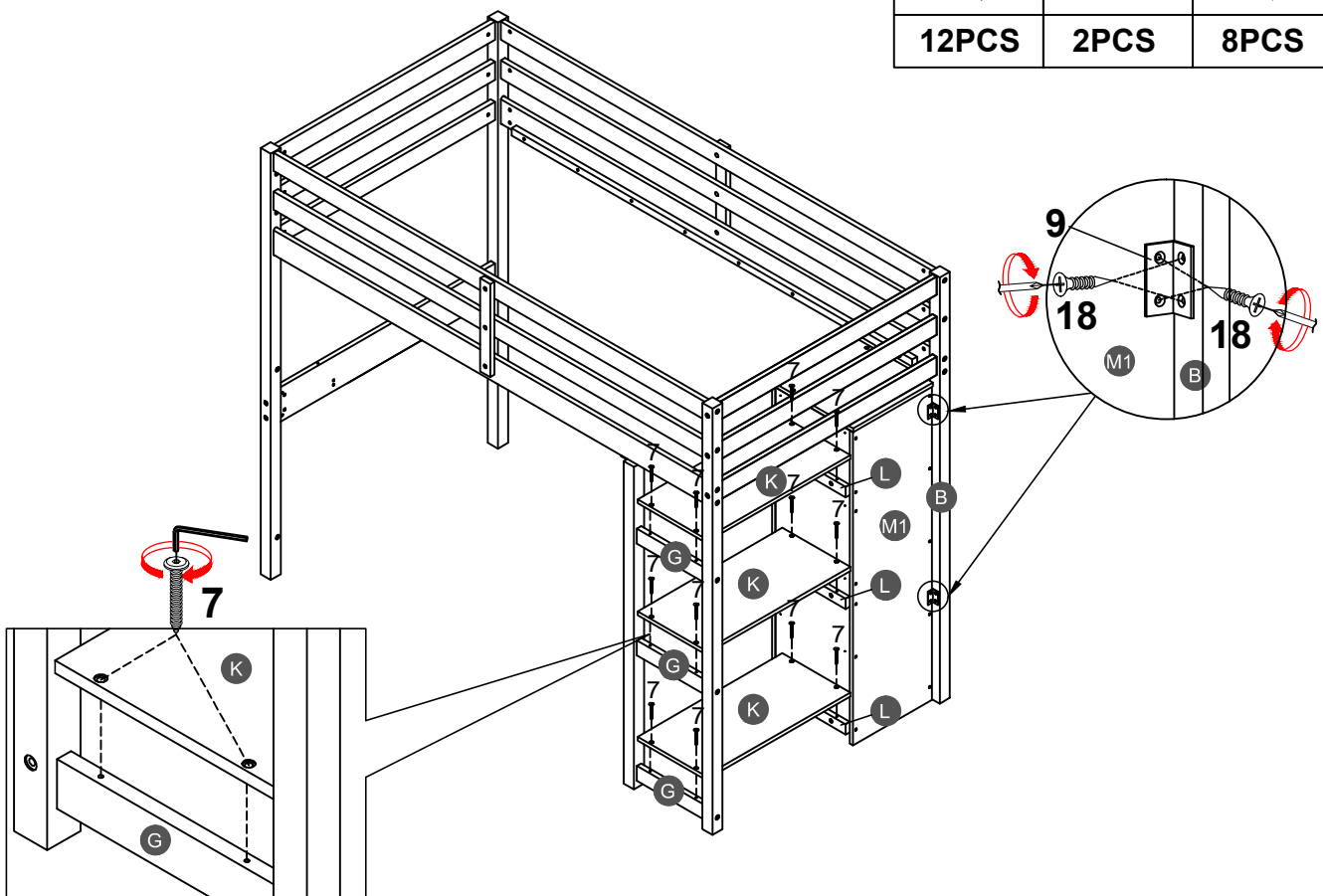


**STEP 17:**

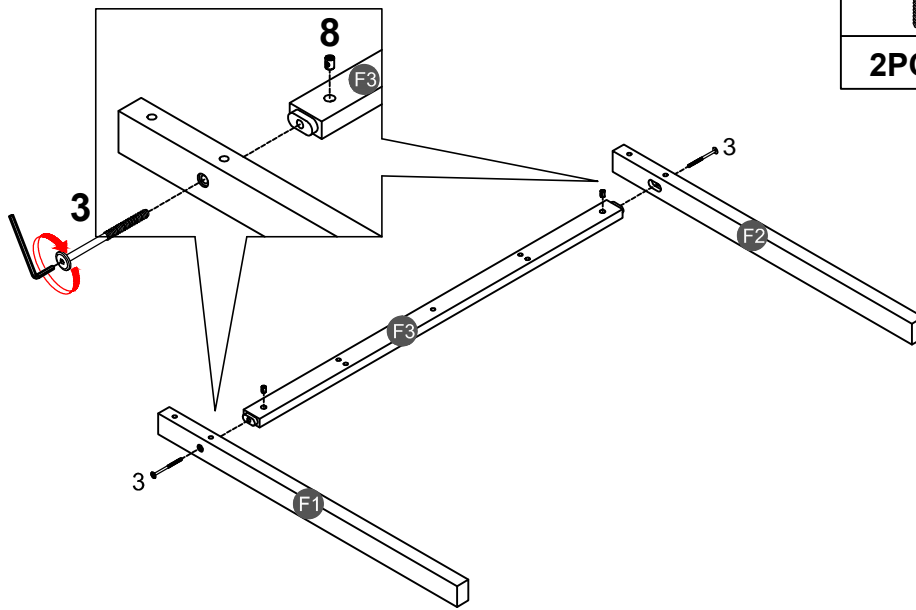


**STEP 18:**

<b>7</b> 	<b>9</b> 	<b>18</b> 
<b>12PCS</b>	<b>2PCS</b>	<b>8PCS</b>

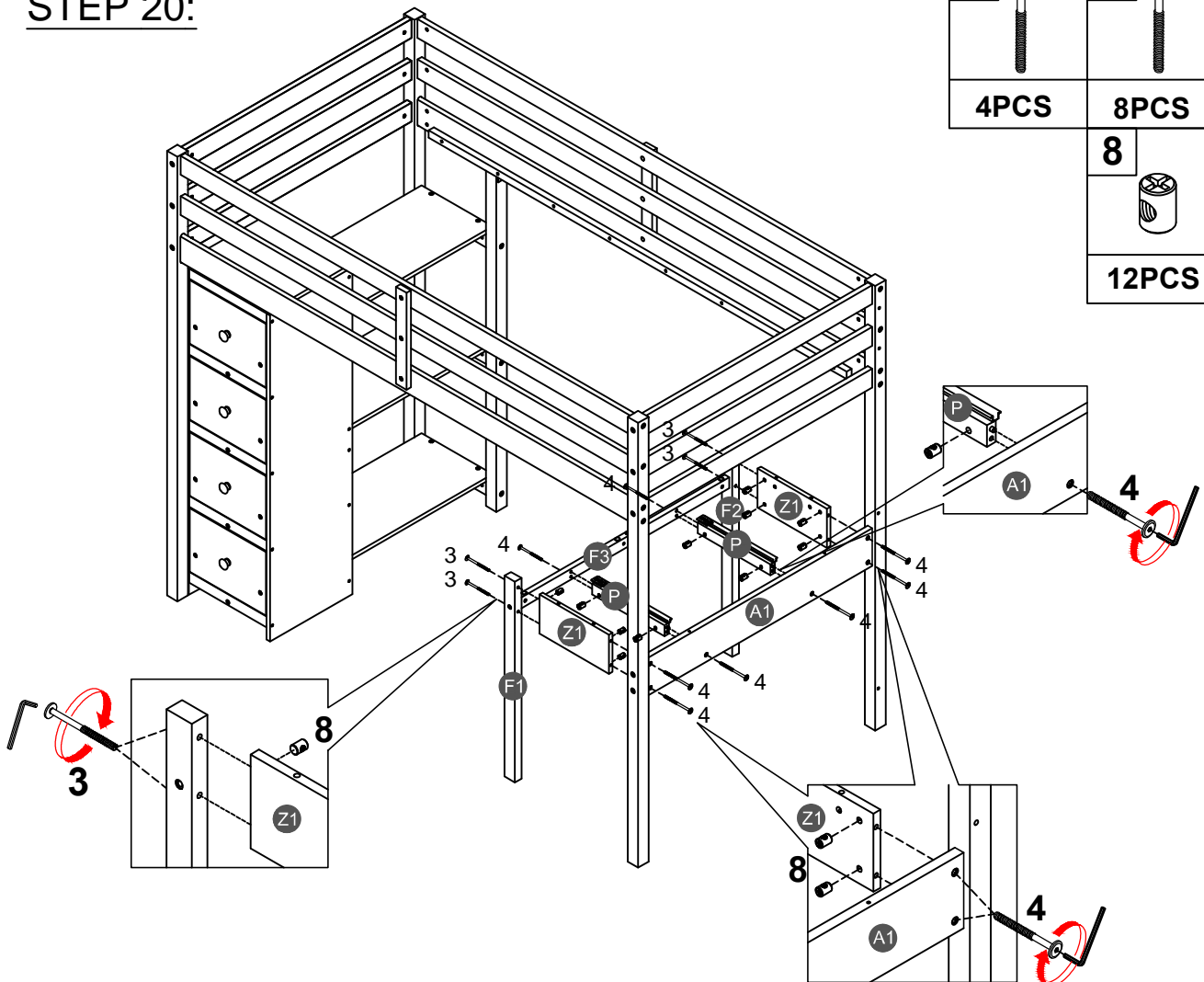


# STEP 19:



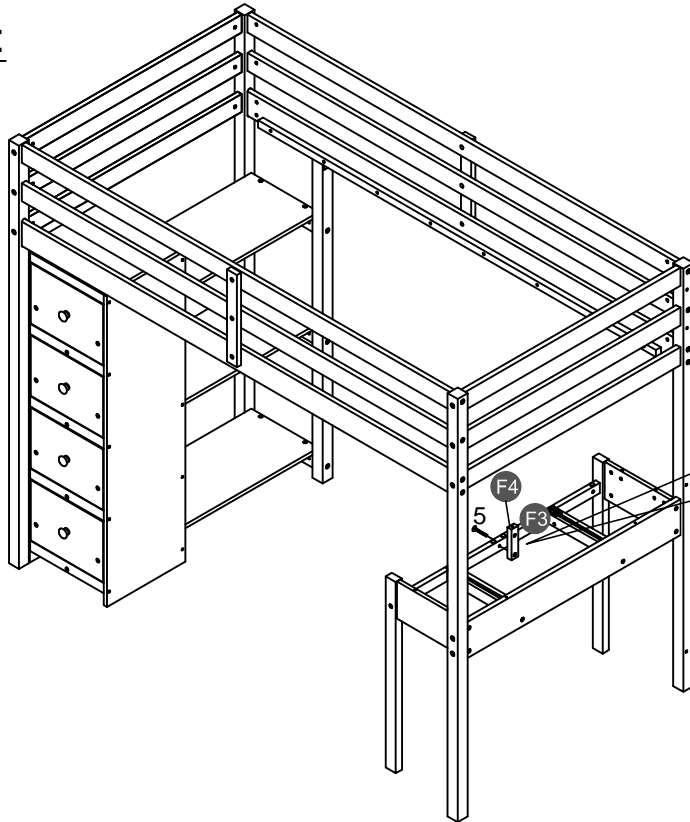
<b>3</b>		<b>8</b>	
<b>2PCS</b>		<b>2PCS</b>	

# STEP 20:



<b>3</b>		<b>4</b>	
<b>4PCS</b>		<b>8PCS</b>	
		<b>8</b>	
<b>12PCS</b>			

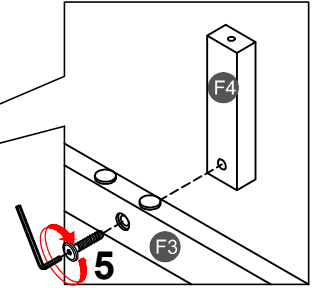
**STEP 21:**



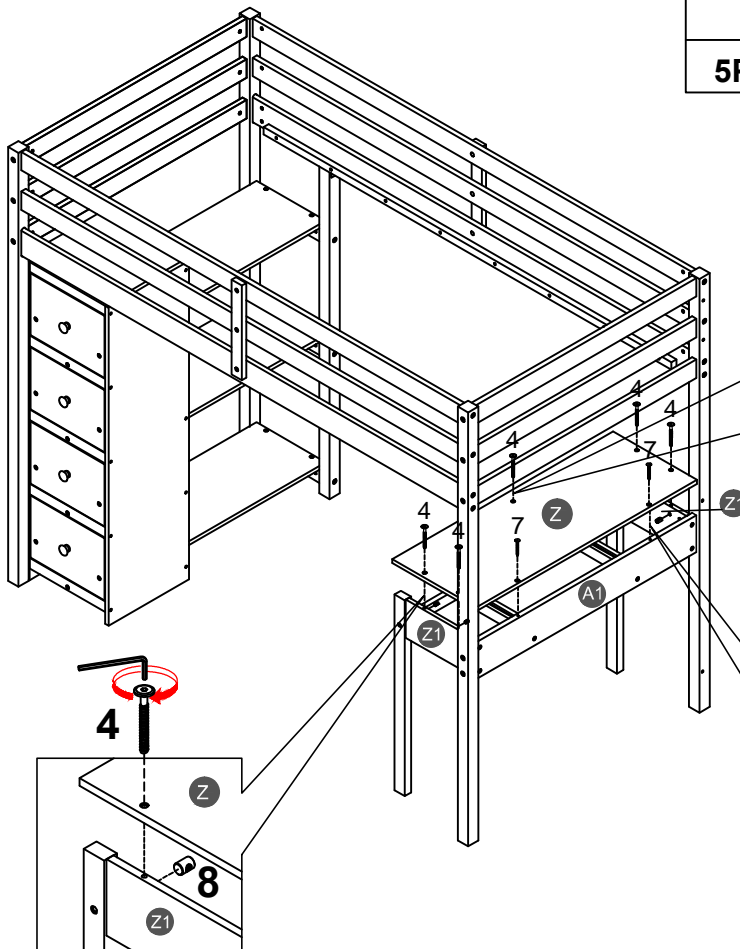
**5**



**1PC**



**STEP 22:**



**4**



**5PCS**

**7**

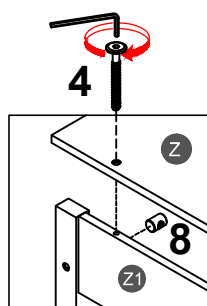
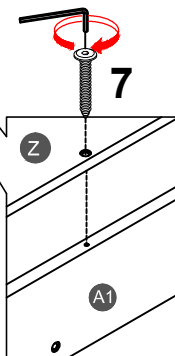
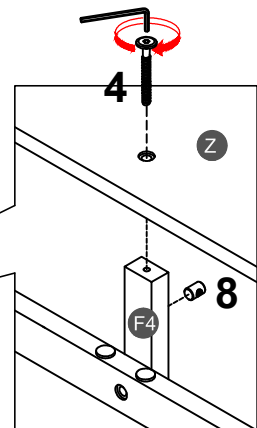


**2PCS**

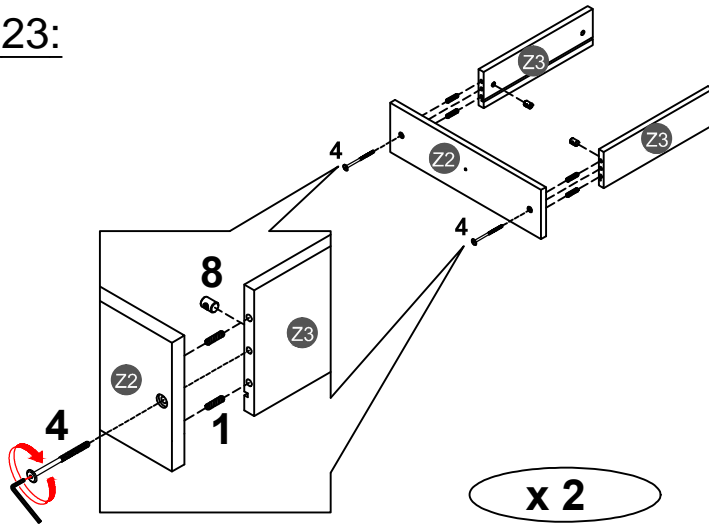
**8**



**5PCS**

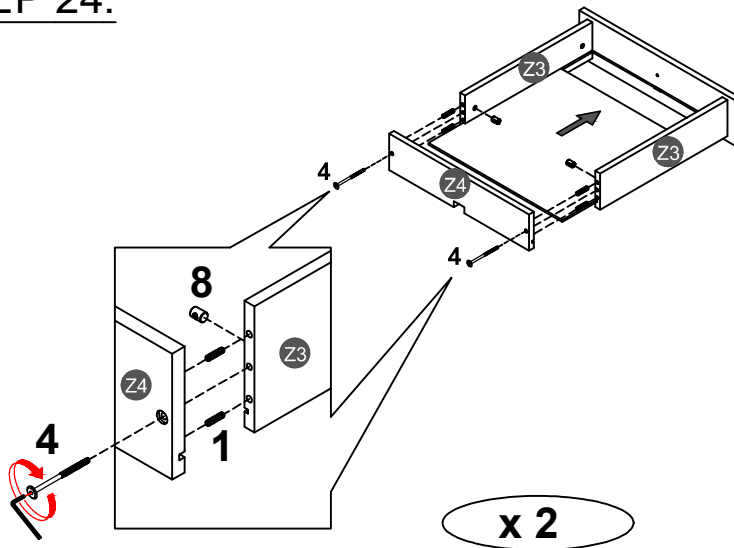


**STEP 23:**



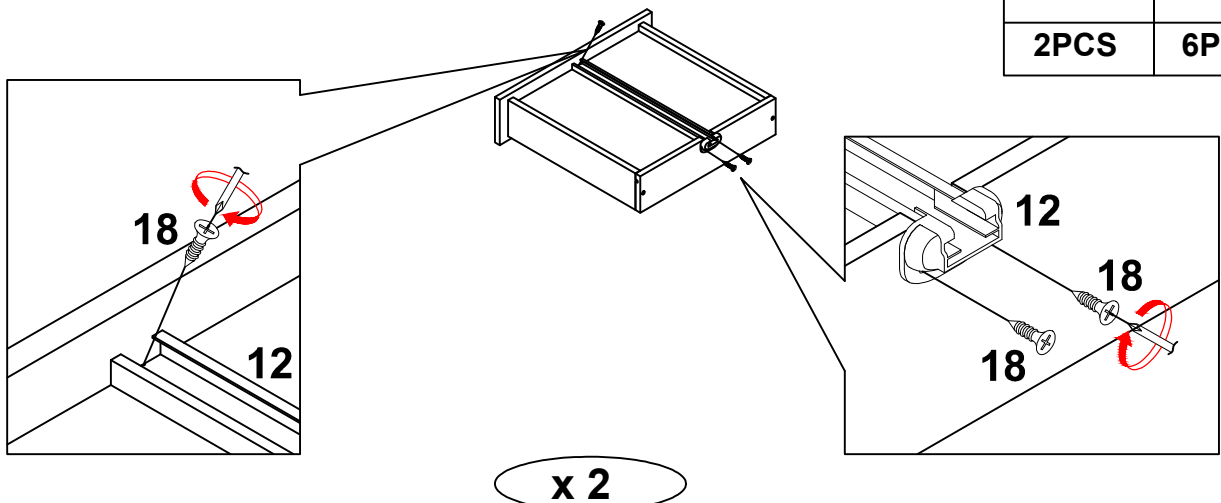
<b>1</b>		<b>8</b>	
<b>8PCS</b>		<b>4PCS</b>	
		<b>4</b>	
		<b>4PCS</b>	

**STEP 24:**



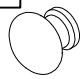

<b>1</b>		<b>8</b>	
<b>8PCS</b>		<b>4PCS</b>	
		<b>4</b>	
		<b>4PCS</b>	

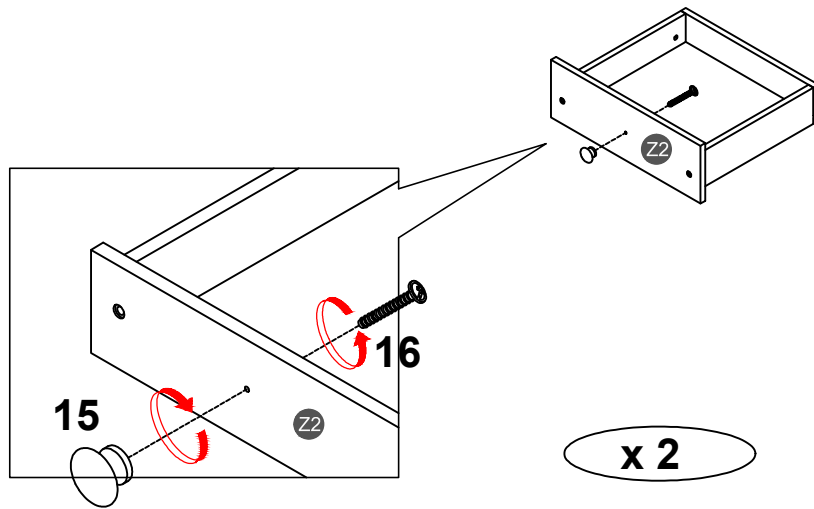
**STEP 25:**



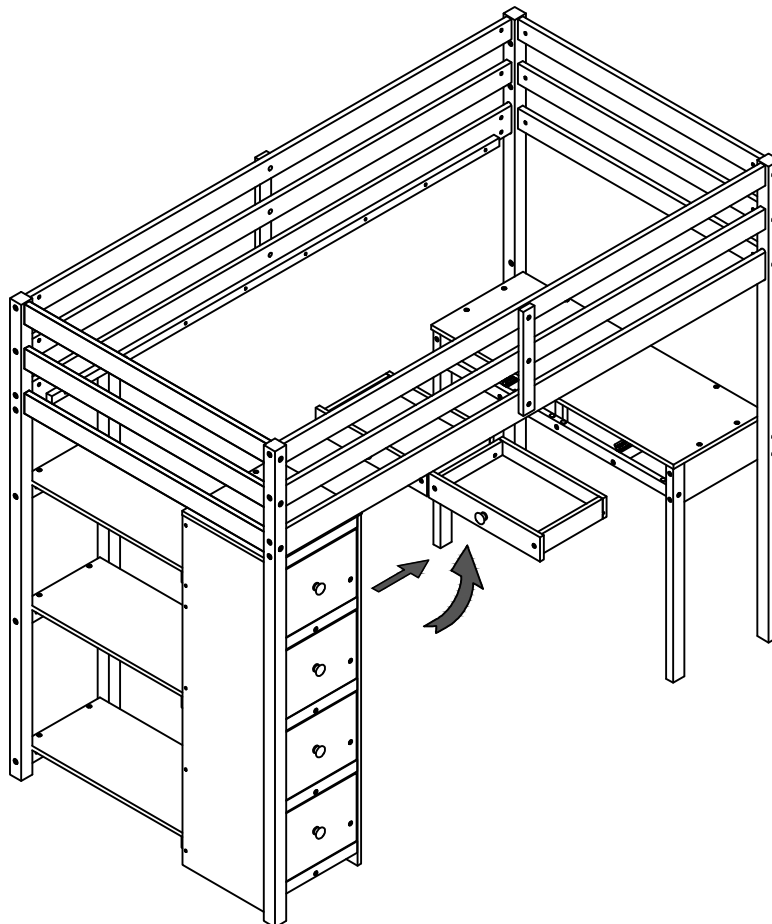
<b>12</b>		<b>18</b>	
<b>2PCS</b>		<b>6PCS</b>	

STEP 26:



<b>15</b>		<b>16</b>	
<b>2PCS</b>		<b>2PCS</b>	

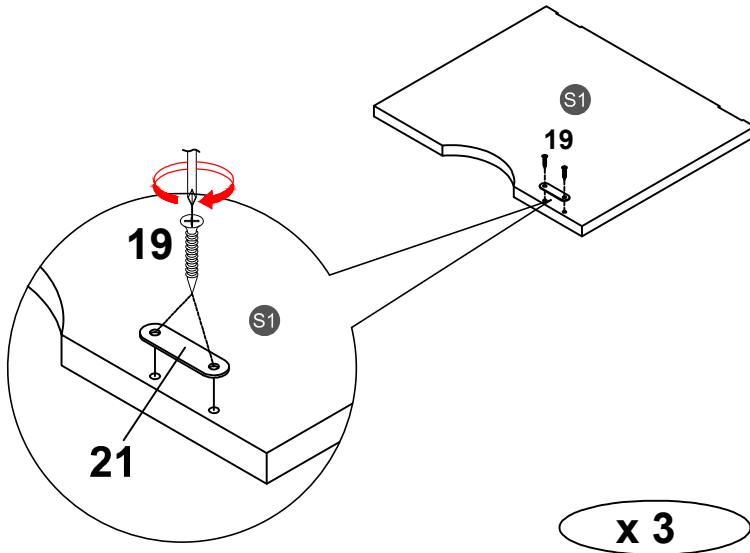


STEP 27:


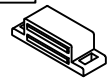


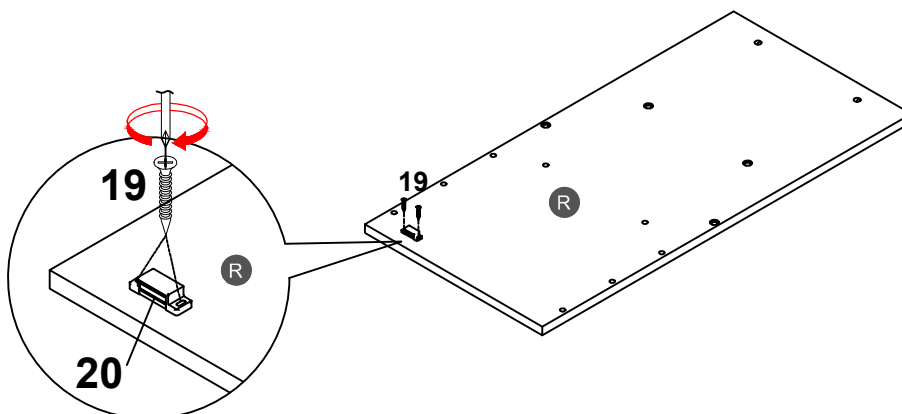
STEP 28:

<b>19</b>		<b>21</b>	
<b>6PCS</b>		<b>3PCS</b>	


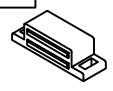


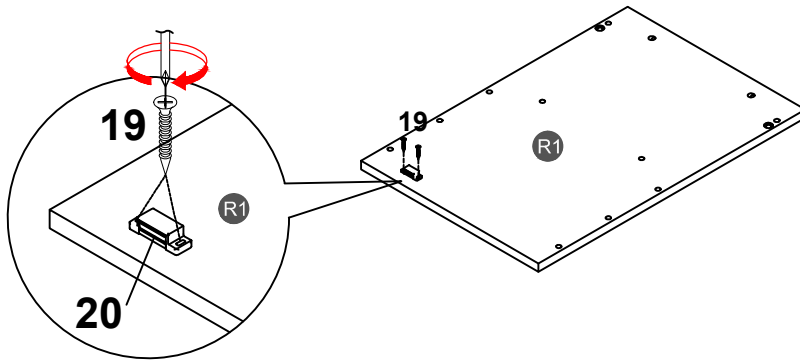
STEP 29:

<b>19</b>		<b>20</b>	
<b>2PCS</b>		<b>1PC</b>	


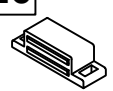


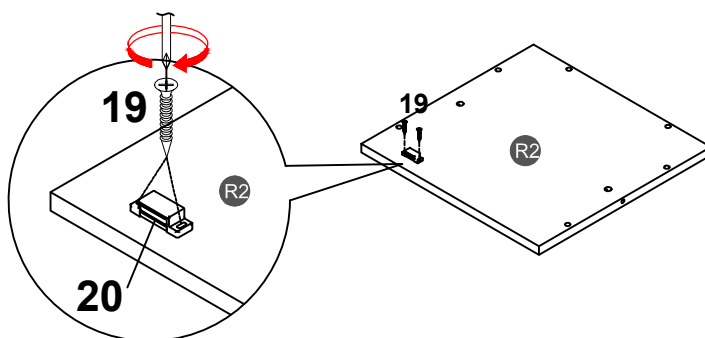
STEP 30:

<b>19</b>		<b>20</b>	
<b>2PCS</b>		<b>1PC</b>	





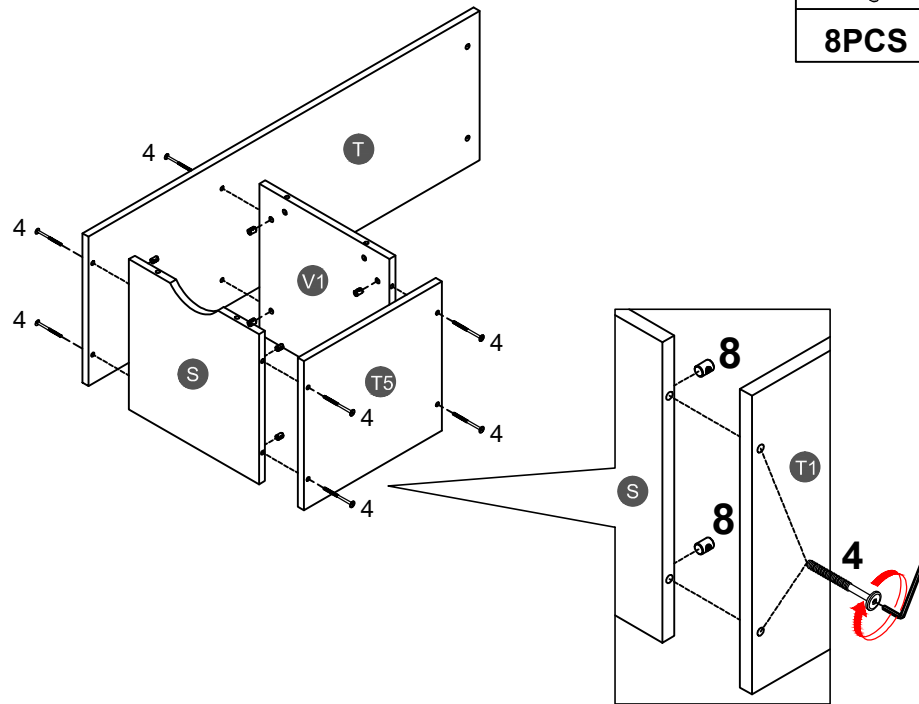
STEP 31:

<b>19</b>		<b>20</b>	
<b>2PCS</b>		<b>1PC</b>	






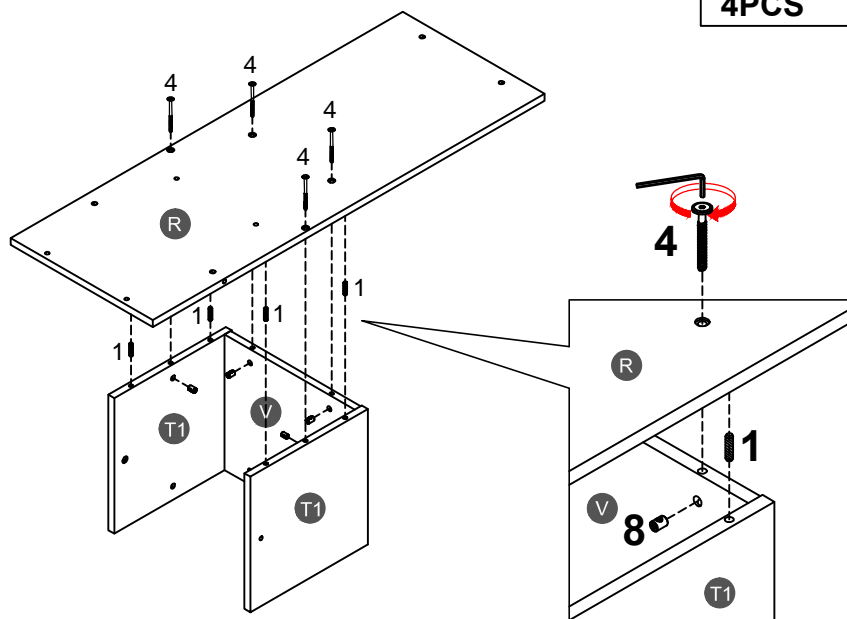
**STEP 32:**

<b>4</b>		<b>8</b>	
<b>8PCS</b>		<b>8PCS</b>	






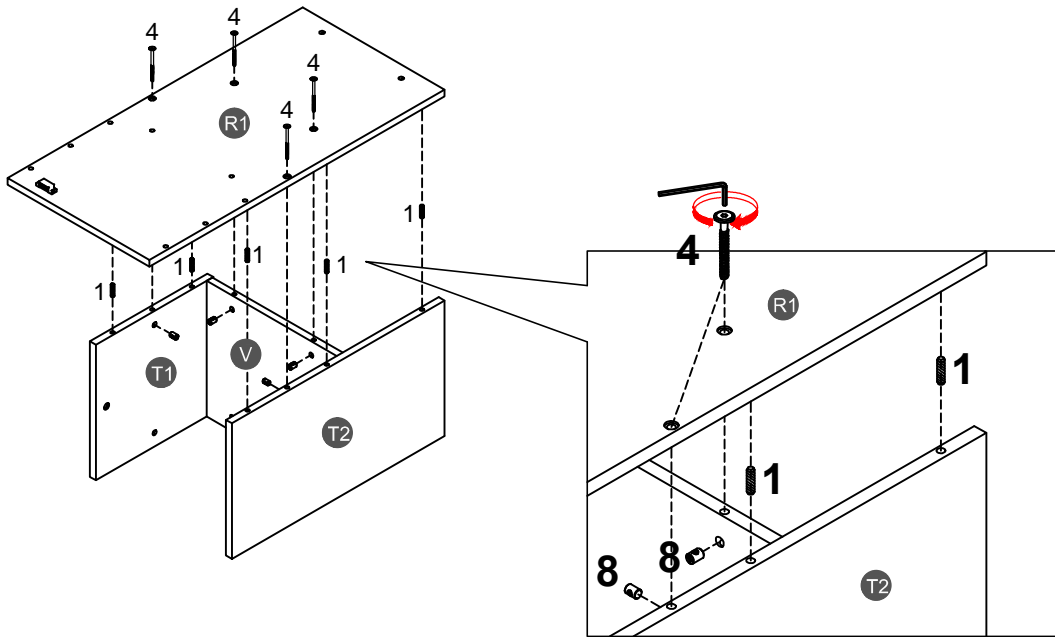
**STEP 33:**

<b>1</b>		<b>4</b>		<b>8</b>	
<b>4PCS</b>		<b>4PCS</b>		<b>4PCS</b>	





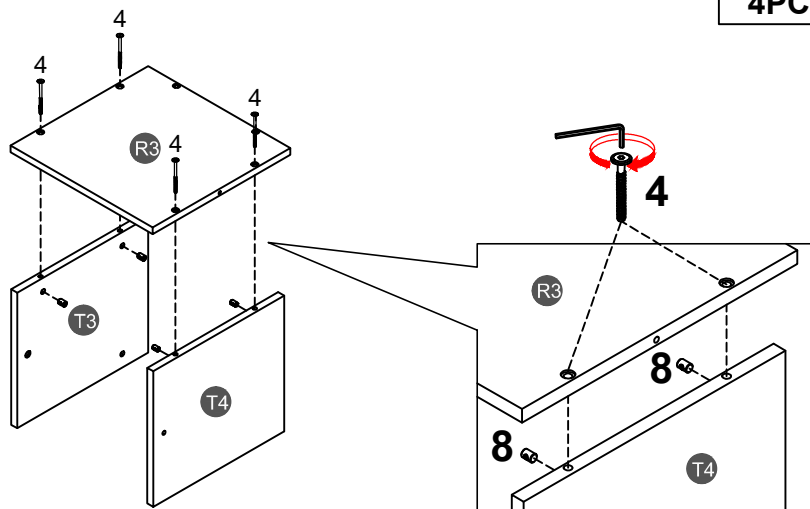
**STEP 34:**

<b>1</b> 	<b>4</b> 	<b>8</b> 
<b>5PCS</b>	<b>4PCS</b>	<b>4PCS</b>






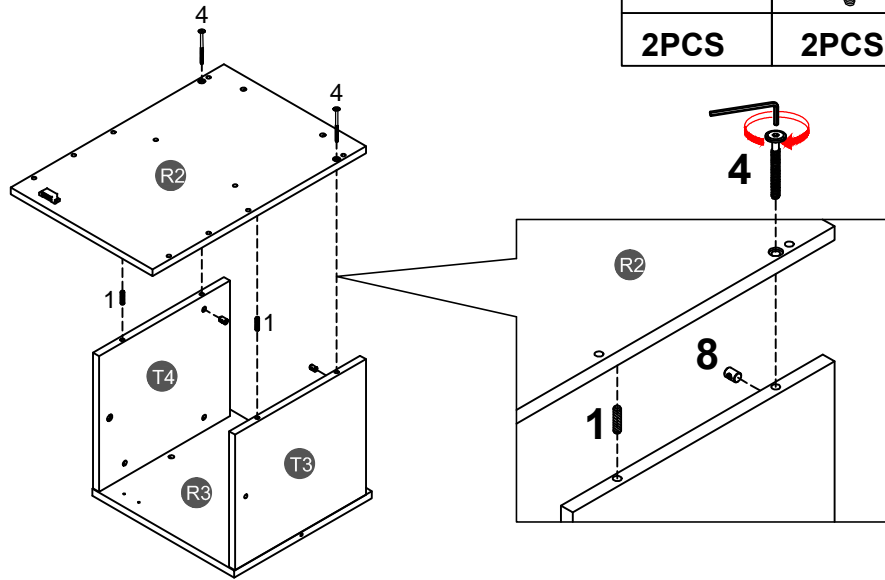
**STEP 35:**

<b>4</b> 	<b>8</b> 
<b>4PCS</b>	<b>4PCS</b>





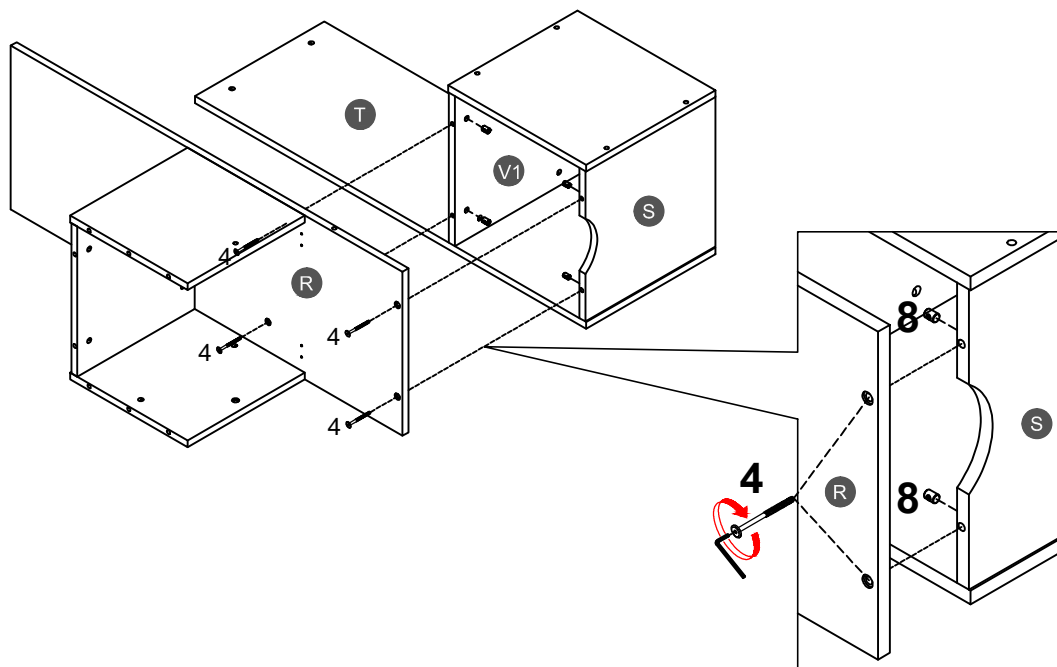
**STEP 36:**

<b>1</b>		<b>4</b>		<b>8</b>	
<b>2PCS</b>		<b>2PCS</b>		<b>2PCS</b>	






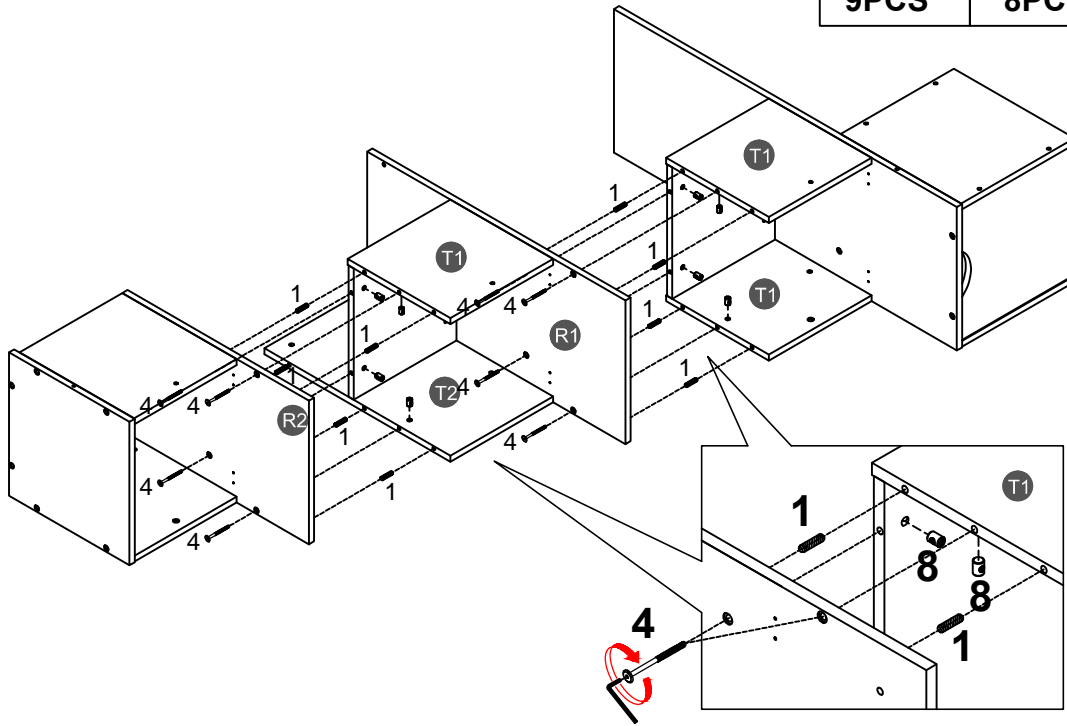
**STEP 37:**

<b>4</b>		<b>8</b>	
<b>4PCS</b>		<b>4PCS</b>	






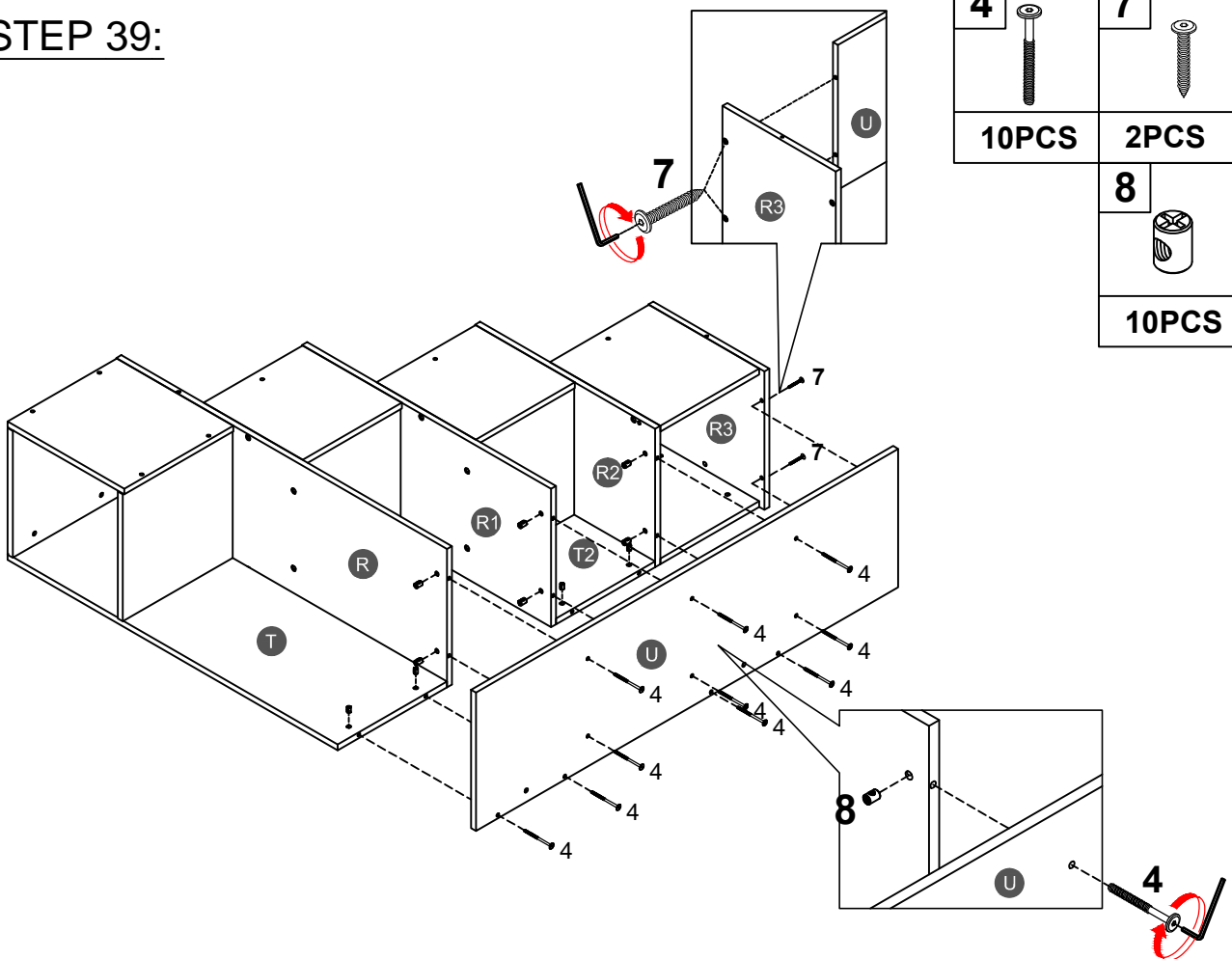
**STEP 38:**

<b>1</b> 	<b>4</b> 	<b>8</b> 
<b>9PCS</b>	<b>8PCS</b>	<b>8PCS</b>




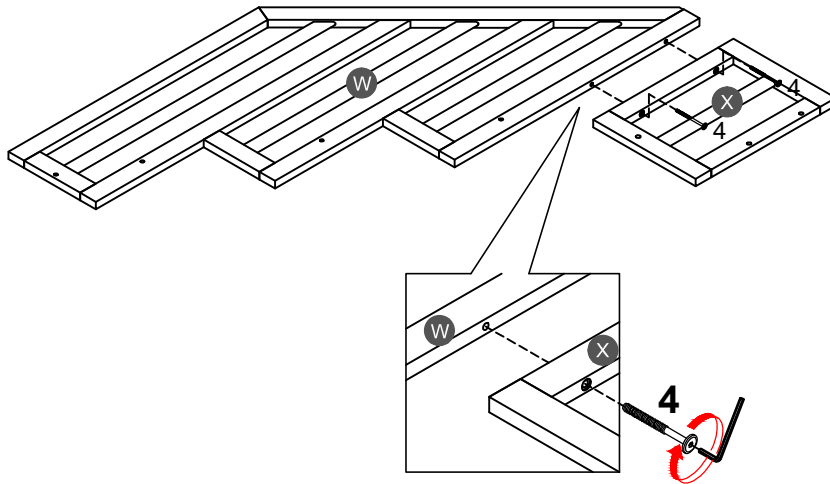
**STEP 39:**

<b>4</b> 	<b>7</b> 
<b>10PCS</b>	<b>2PCS</b>
<b>8</b> 	
<b>10PCS</b>	






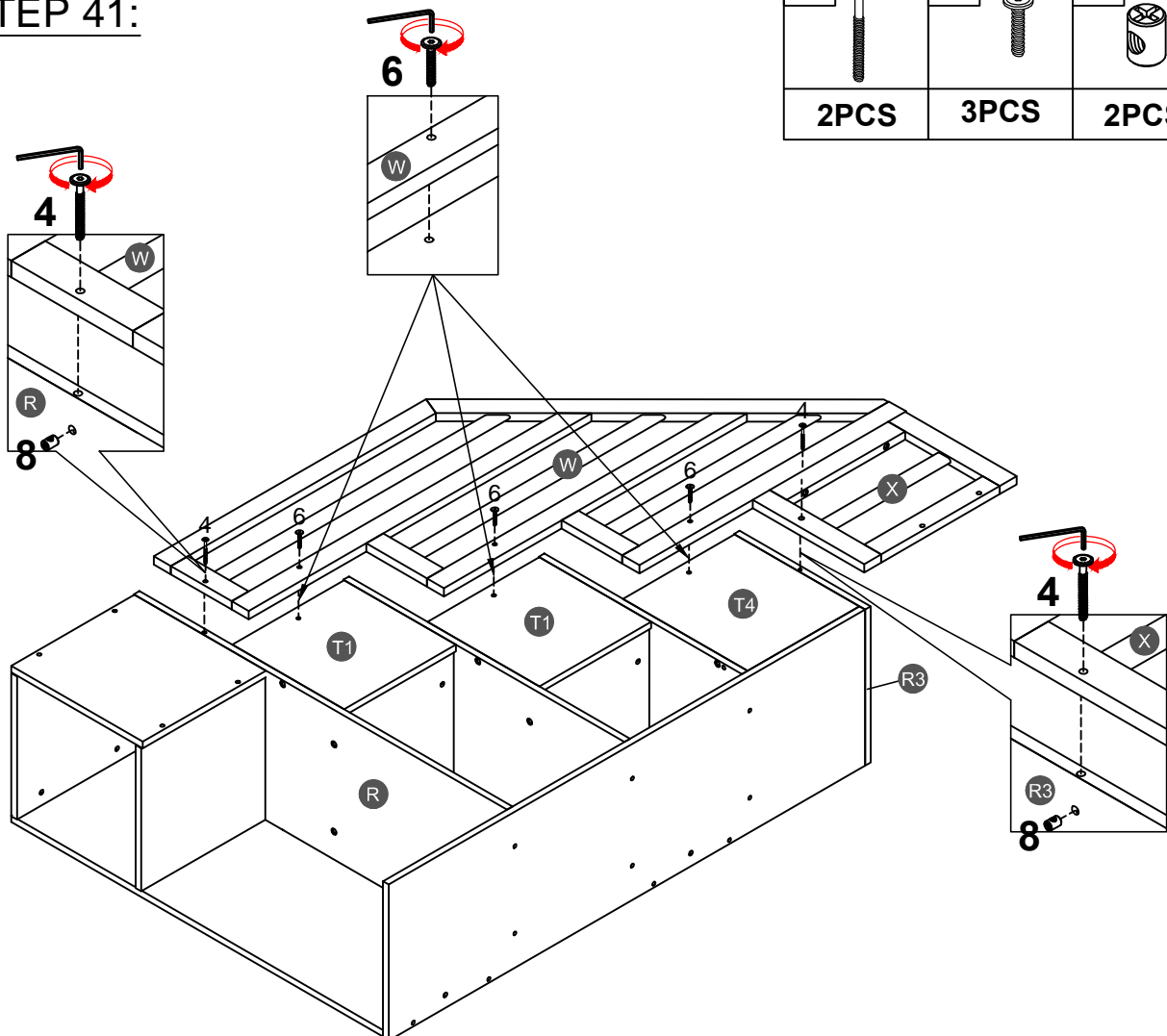
**STEP 40:**

<b>4</b>	
<b>2PCS</b>	

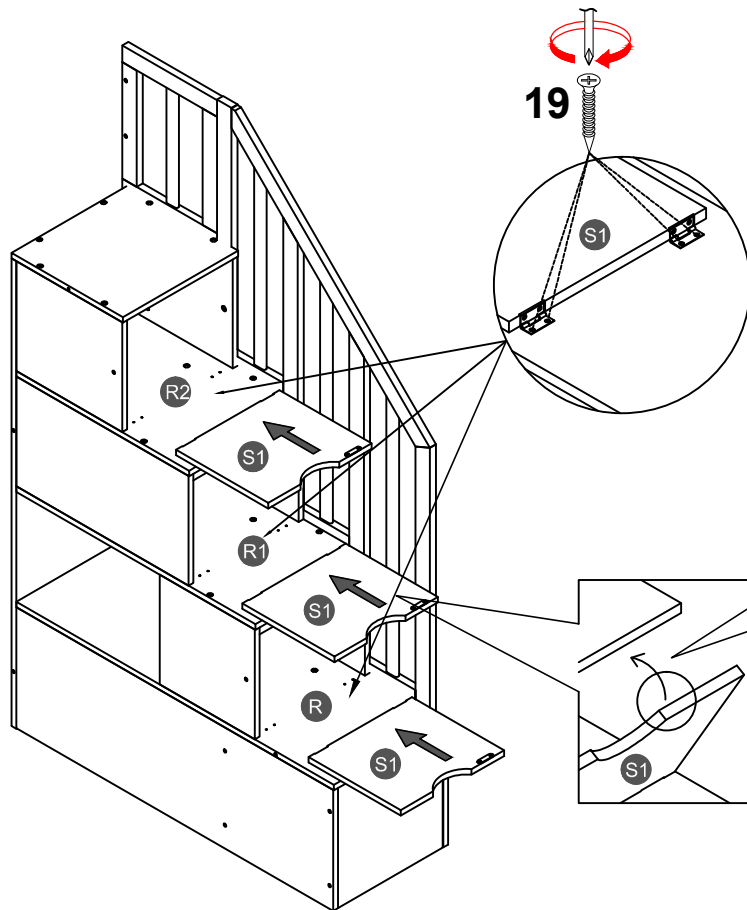



**STEP 41:**

<b>4</b>		<b>6</b>		<b>8</b>	
<b>2PCS</b>		<b>3PCS</b>		<b>2PCS</b>	

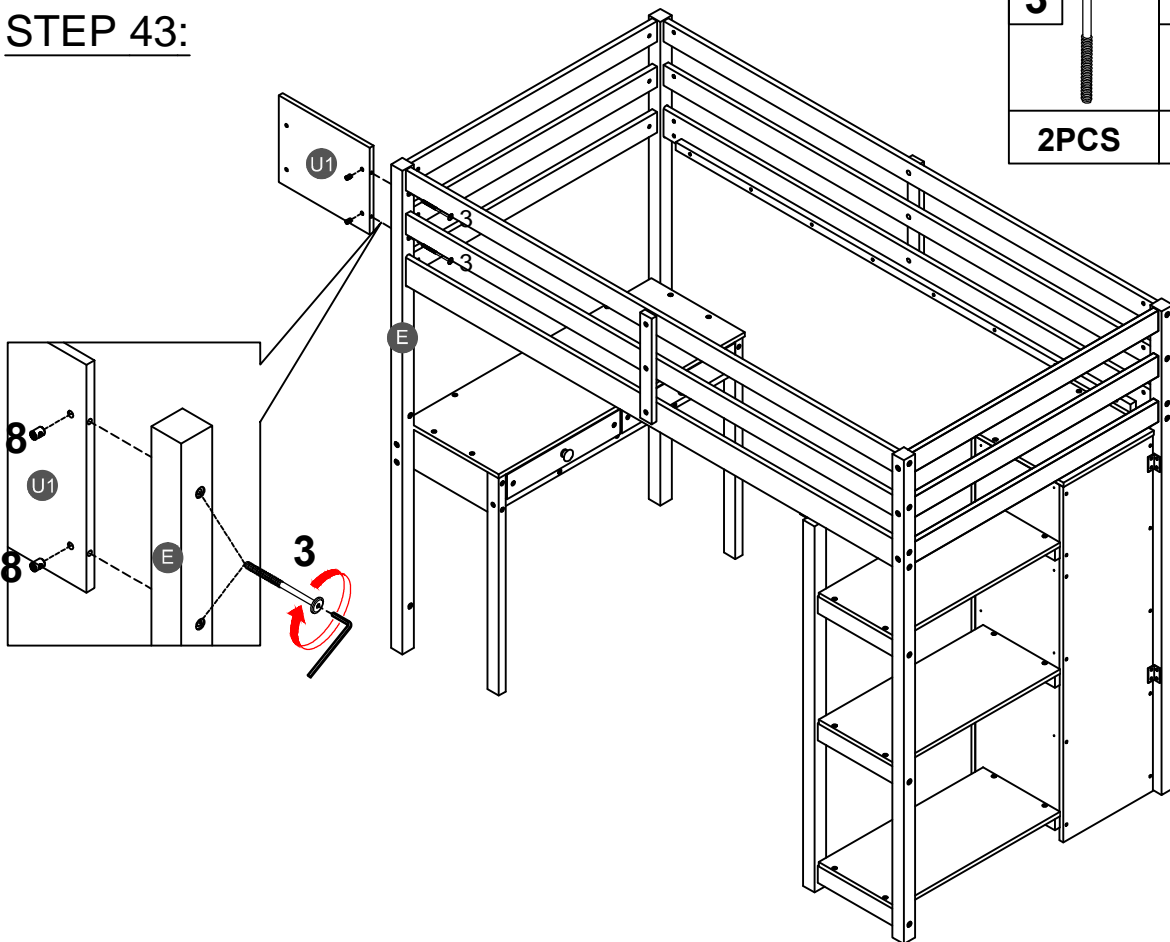




**STEP 42:**








<b>19</b>	
<b>12PCS</b>	

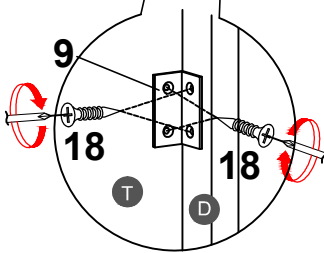
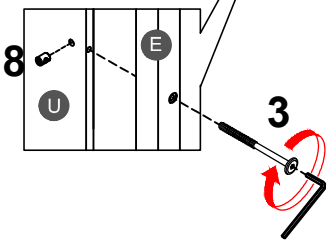
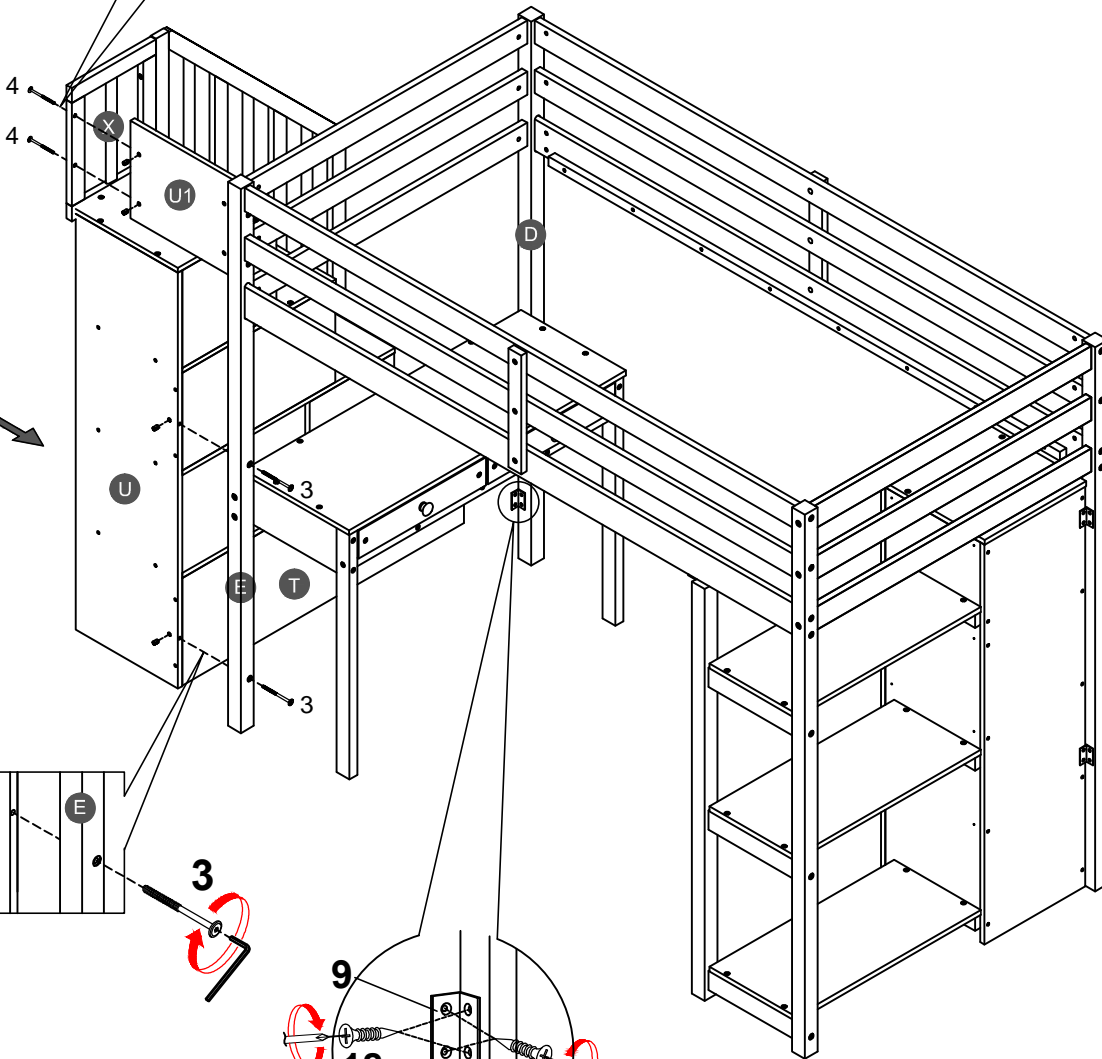
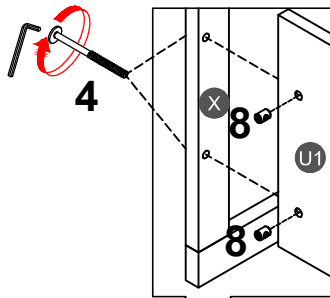
**STEP 43:**



<b>3</b>		<b>8</b>	
<b>2PCS</b>		<b>2PCS</b>	

**STEP 44:**

<b>3</b>		<b>4</b>		<b>8</b>		<b>9</b>		<b>18</b>	
<b>2PCS</b>		<b>2PCS</b>		<b>4PCS</b>		<b>1PC</b>		<b>4PCS</b>	

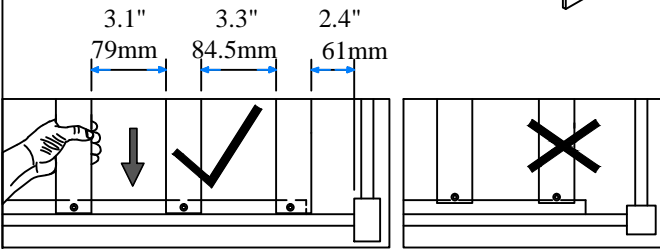
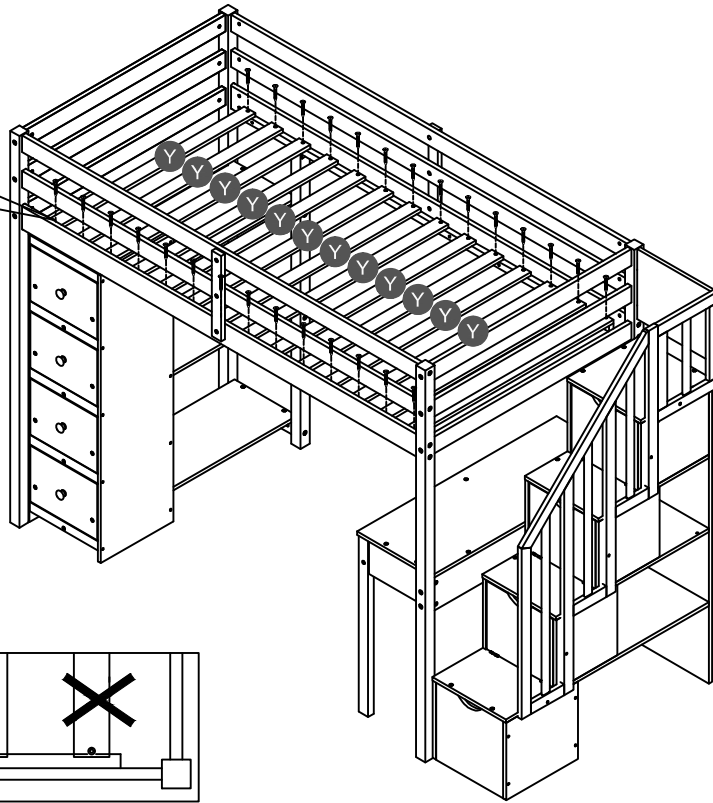
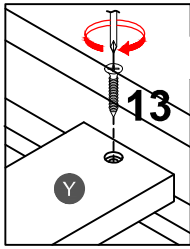


**STEP 45:**

**13**



**28PCS**



Note: Do not lock the screws of the bed slats to the outermost edge of the bed slats, you need to leave a certain space at the edges, otherwise it will cause the board to break. Do not lock the bed slats on the edge of the wood, please hold firmly before screwing, hold it in place with one hand, then lock the screw.

