



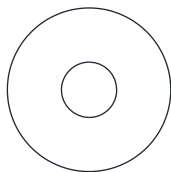
(H1) x 6 (M6x60)
countersunk hex head
wood screws



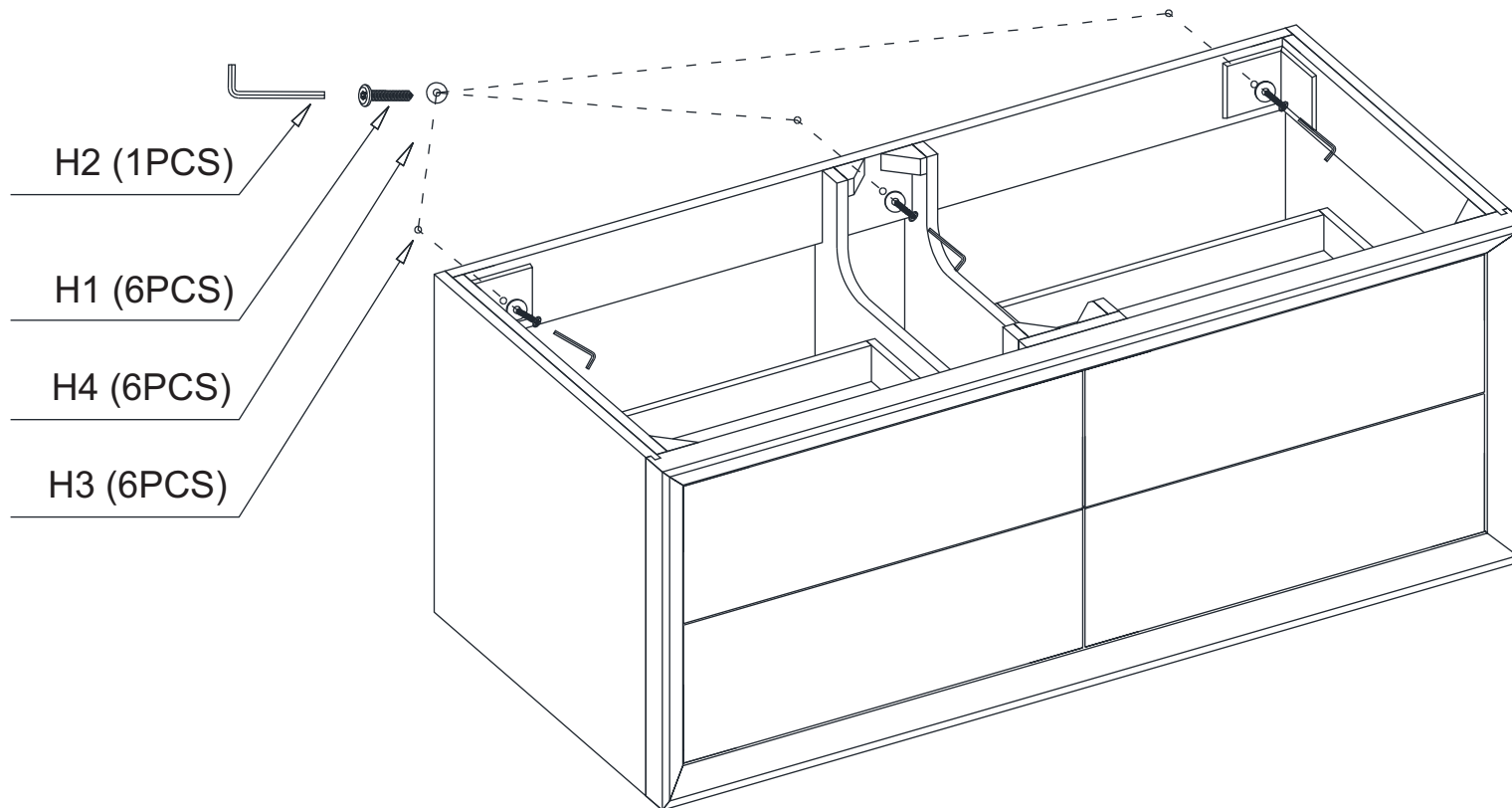
(H2) x 1
Hexagon buckle



(H3) x 6
Plastic switch



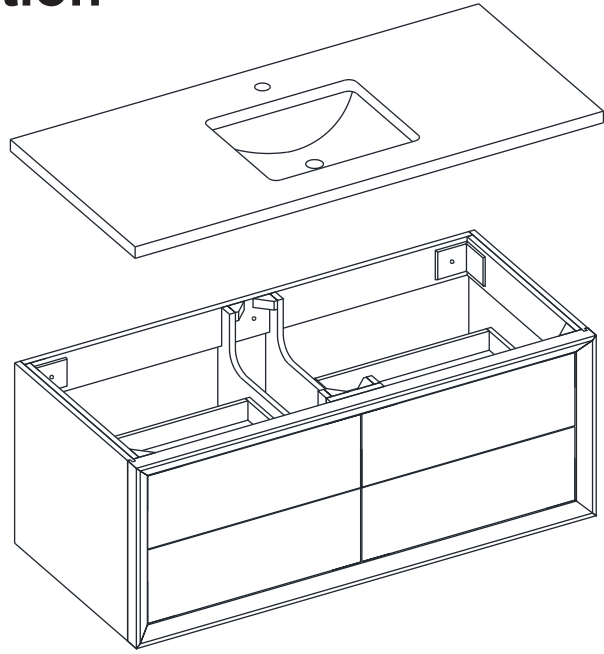
(H4) x 6
Gasket



Assembly instructions

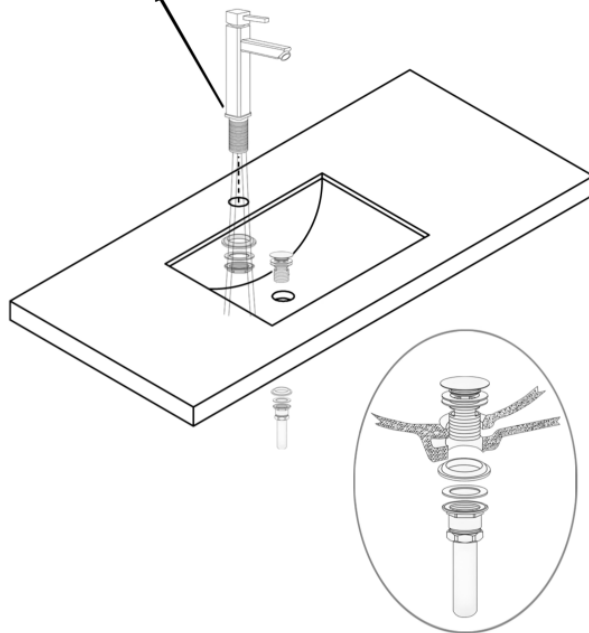
Installation

STEP 1



STEP 2

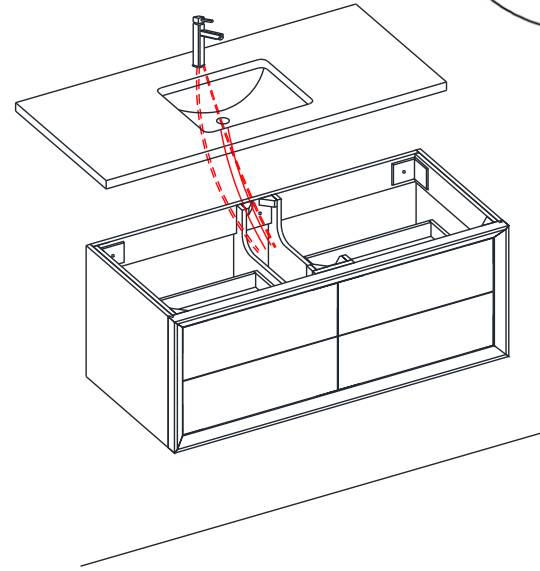
Install faucet and drain system on the top



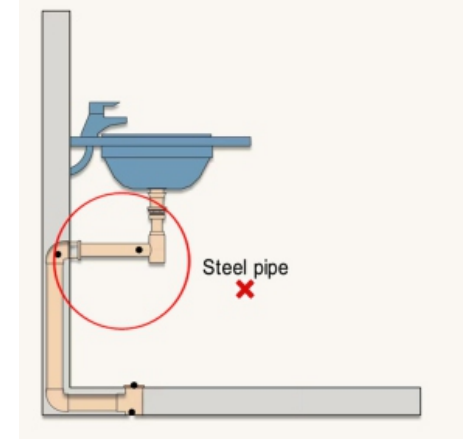
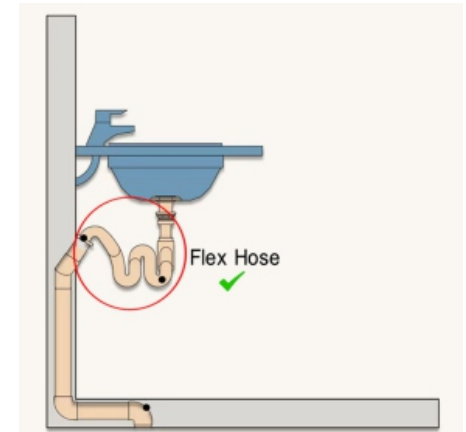
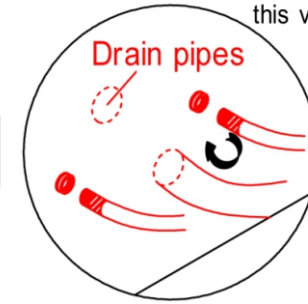
STEP 3

NOTE

Connect all pipes (hot/cold water pipes & wall drain)

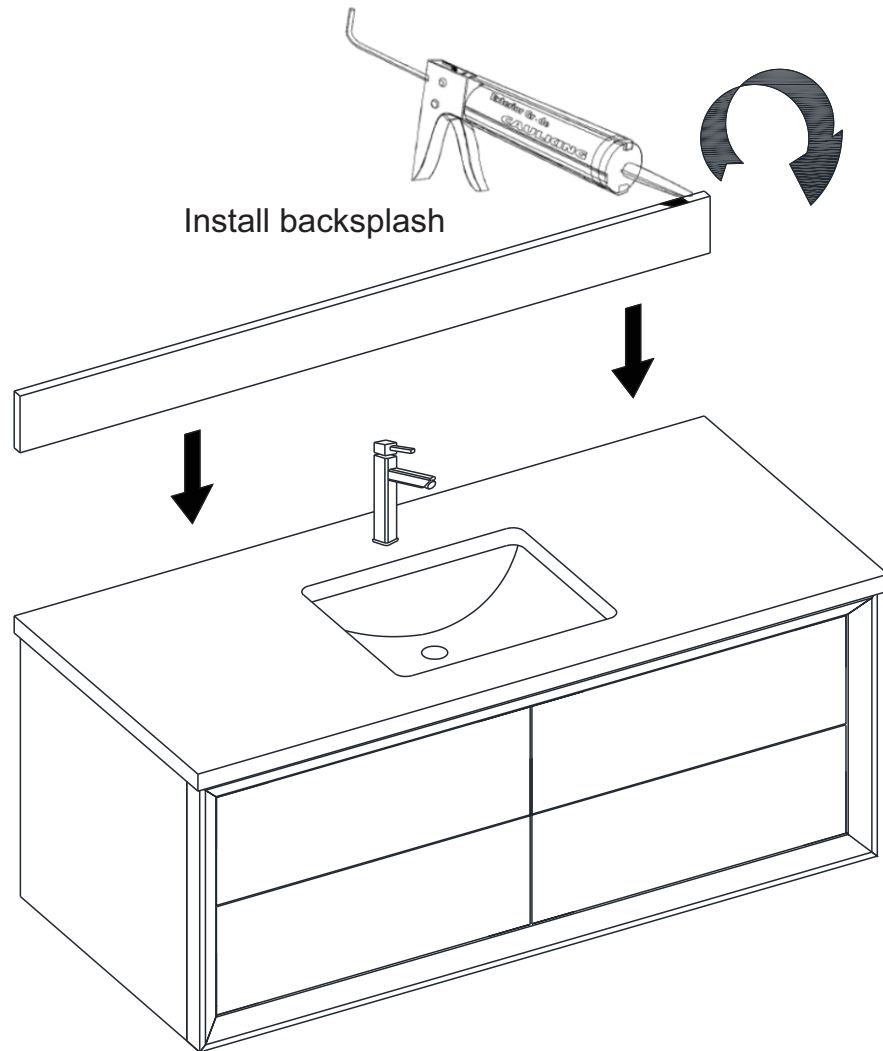


We suggest to use flex hose for this vanity in drain connection

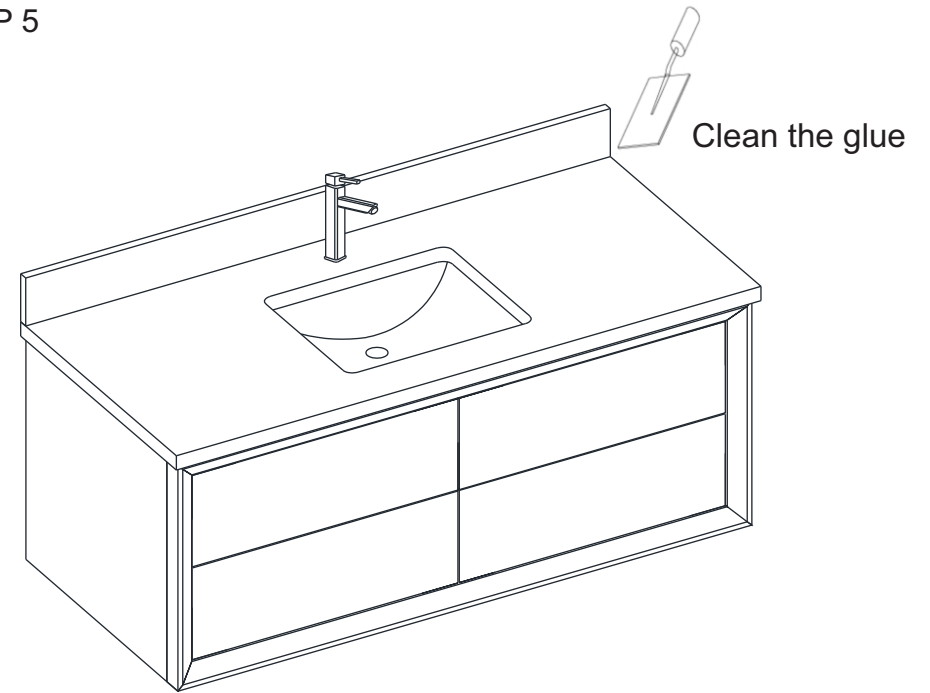


Installation

STEP 4



STEP 5



STEP 6

