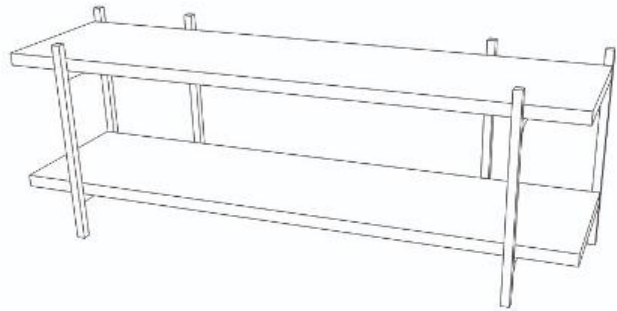


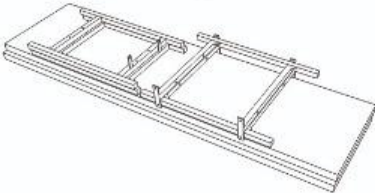
# ASSEMBLING INSTRUCTION

## ICC013


TV STAND KD STEEL  
FOOT  
140X40X50CM



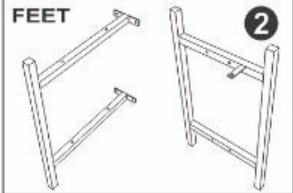
**Component**




**TOP** ① =2pcs




**FEET** ② =2pcs



**SCREW** ③ =18 pcs



**Hexagonal Wrench** ④ =1 pc



### ASSEMBLING

