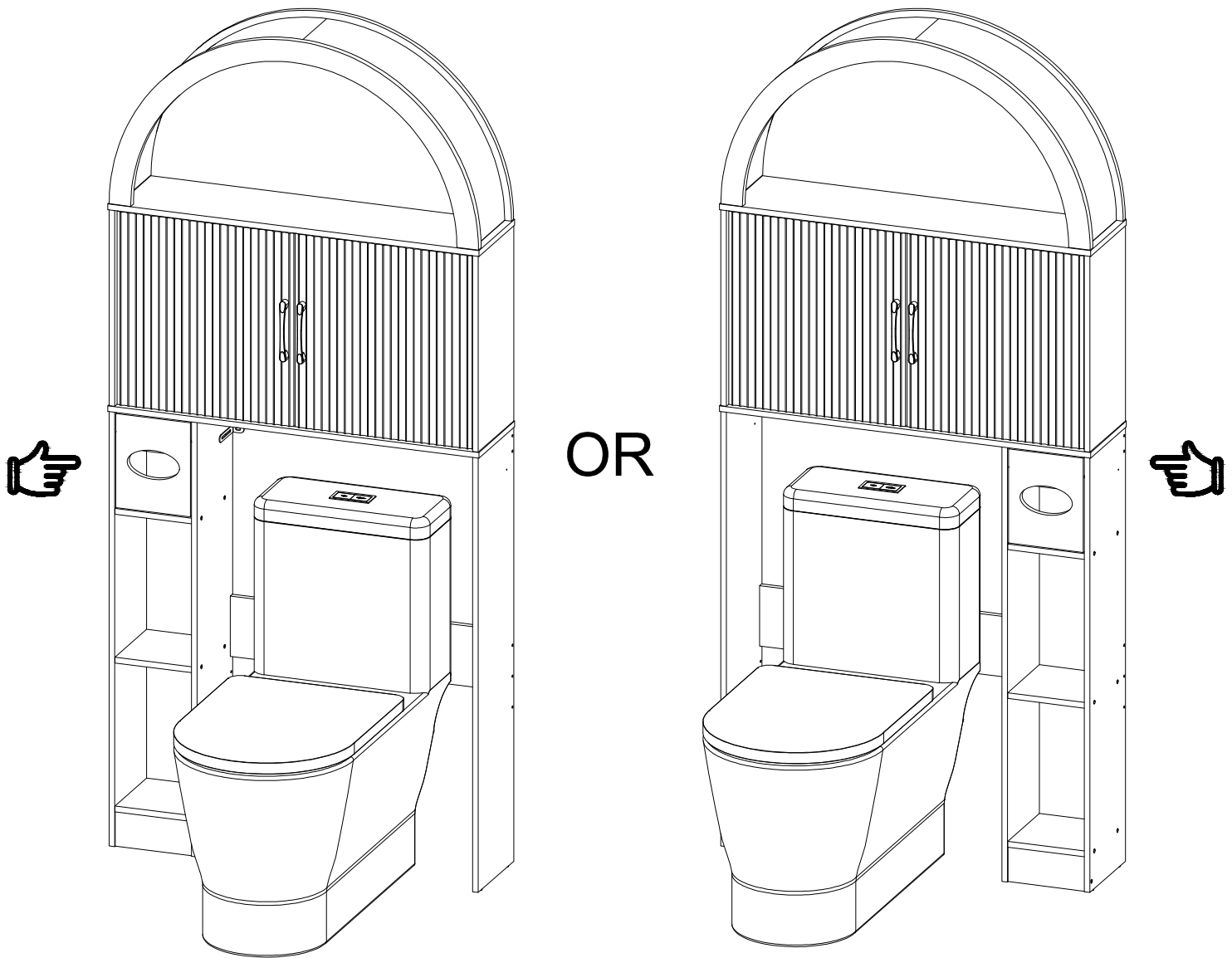
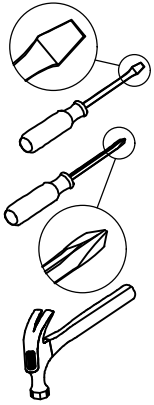

SKU:NYX08-207

Thank you for your purchase. Since this item consists of numerous parts, please carefully review the installation instructions before proceeding. There are two ways to install the product, and we'll indicate both methods at key steps. You can select the installation approach that best suits your needs.



As this item contains many parts, please read the installation instruction carefully before installation . Please use tools properly and carefully.

Before You Start



- ✓ Read through each step carefully and follow the proper order
- ✓ Separate and count all your parts and hardware
- ✓ Give yourself enough room for the assembly process
- ✓ Have the following tools: Flat Head Screwdriver, #2 Phillips Head Screwdriver and Hammer
- ✓ Caution: If using a power drill or power screwdriver for screwing, please be aware of to slow down and stop when screw is tight. Failure to do so may result in stripping the screw. (Assembly speed can be increased by using electric screwdriver)

Helpful Hints

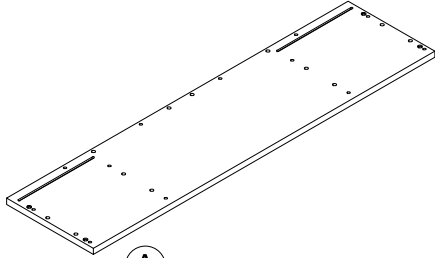
PEOPLE NEEDED FOR ASSEMBLY: 1-2

- Open your item in the area you plan to keep it to avoid excessive heavy lifting.
- Identify, sort and count the parts before attempting assembly.
- Compression dowels are lightly tapped in with a hammer.
- Slides are labeled with an **R** (right) and **L** (left) for proper placement.
- Make sure to always face the point on the top of the Cam Lock towards the outer edge.
- If there is a back panel in the package, please install it to make sure your unit is complete and sturdy.
- Please fix all the screws provided for the back panel which can enhance product stability. If it is difficult to fix it when tightening, it can be fixed with the help of a hammer and then tightened.
- Do NOT use harsh chemicals or abrasive cleaners on this item.
- Never push, pull, or drag your furniture.

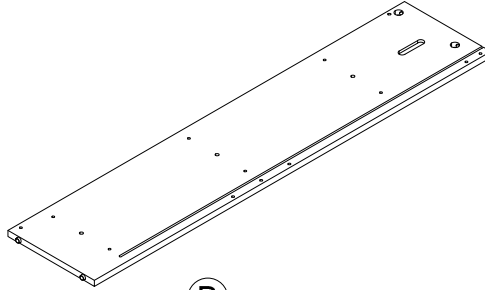


Board Identification

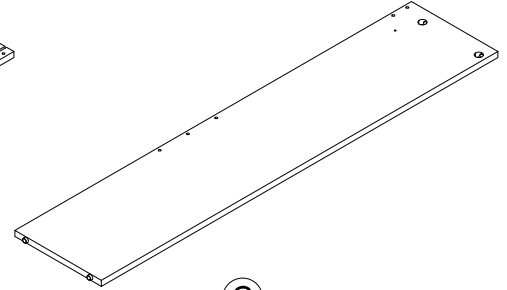
Not actual size



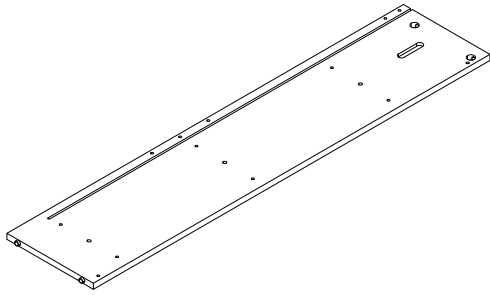
(A)
MIDDLE PANEL
Qty:1



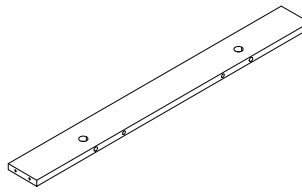
(B)
LOWER LEFT SIDE PANEL
Qty:1



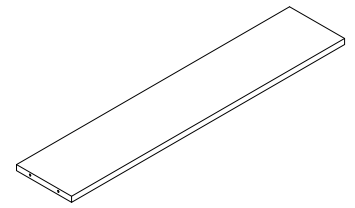
(C)
LOWER RIGHT SIDE PANEL
Qty:1



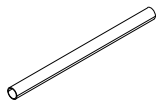
(D)
LOWER PARTITION
Qty:1



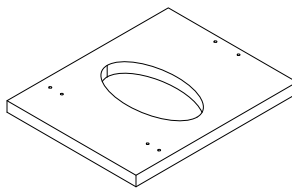
(E)
RAIL
Qty:1



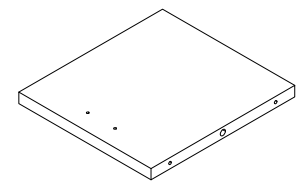
(F)
REAR TRANSVERSE PANEL
Qty:1



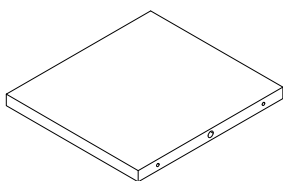
(G)
CIRCULAR TUBE
Qty:1



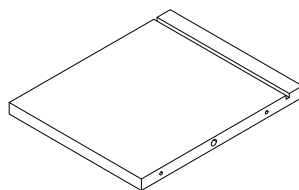
(H)
FLAP
Qty:1



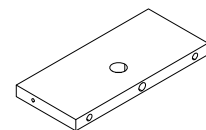
(I)
FIXED SHELF
Qty:1



(J)
FIXED SHELF
Qty:1



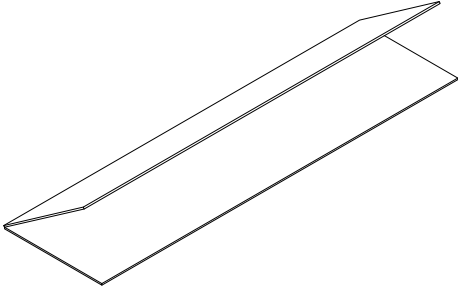
(K)
BOTTOM
Qty:1



(L)
RAIL
Qty:1

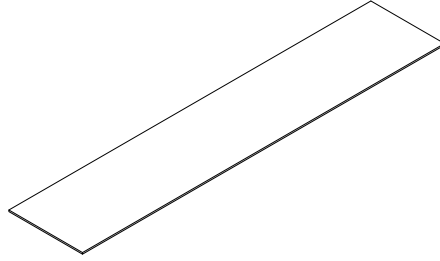
Board Identification

Not actual size



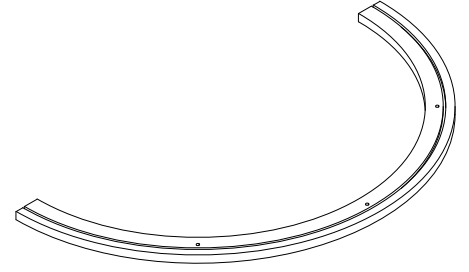
(M)

MIDDLE BACK
Qty:1



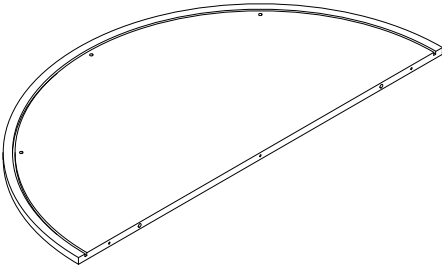
(N)

LOWER BACK PANEL
Qty:1



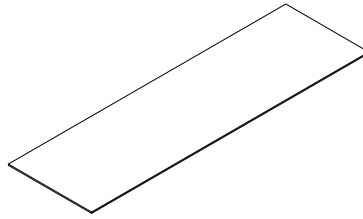
(O)

TOP MOLDING ,FRONT
Qty:1



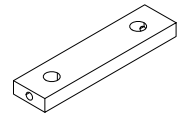
(P)

UPPER BACK
Qty:1



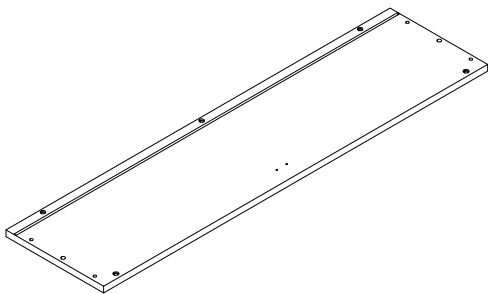
(Q)

TOP
Qty:2



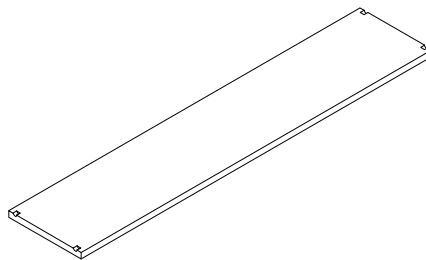
(R)

RAIL
Qty:3



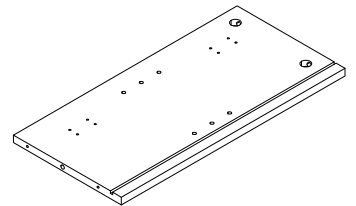
(S)

FIXED SHELF
Qty:1



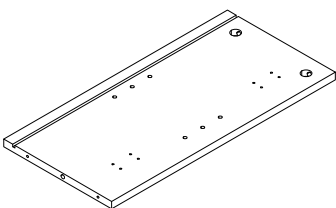
(T)

ADJUSTABLE SHELF
Qty:1



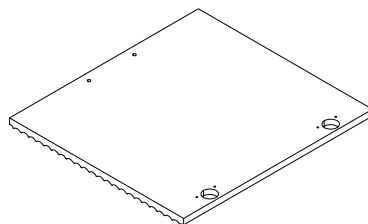
(U)

UPPER LEFT SIDE PANEL
Qty:1



(V)

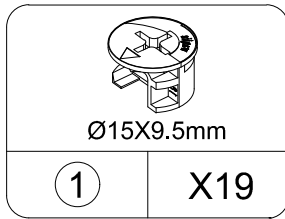
UPPER RIGHT SIDE PANEL
Qty:1



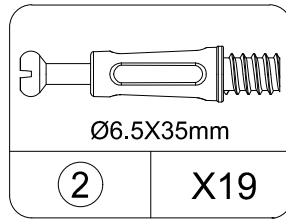
(W)

DOOR PANEL
Qty:2

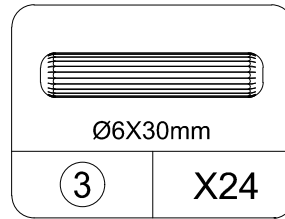
Part List



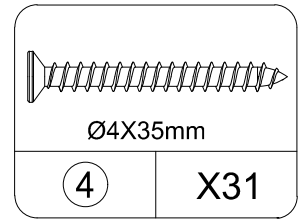
CAM LOCK
spare:2



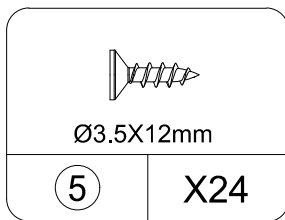
CAM BOLT
spare:2



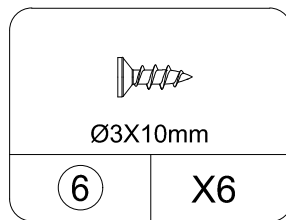
WOODEN DOWEL
spare:2



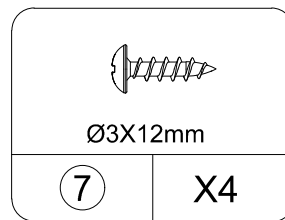
SCREW
spare:3



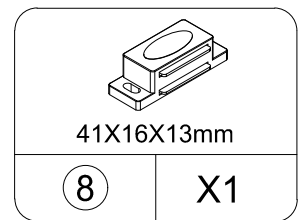
SCREW
spare:2



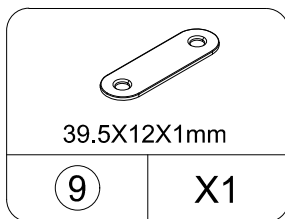
SCREW
spare:1



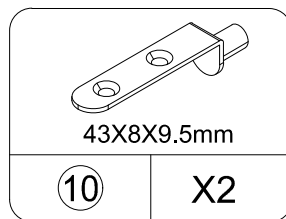
SCREW
spare:1



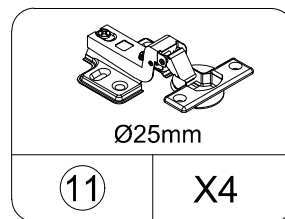
MAGNETIC CATCHER



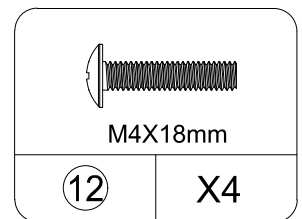
MAGNETIC CATCHER



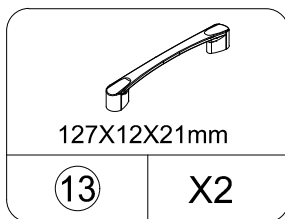
METAL PLATE



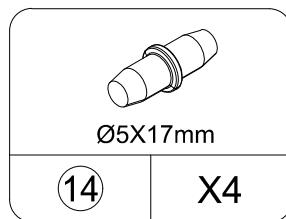
HINGE



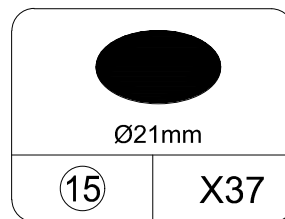
BOLT
spare:1



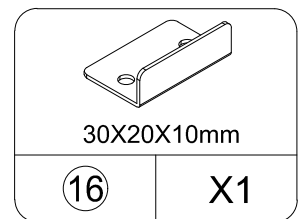
HANDLE



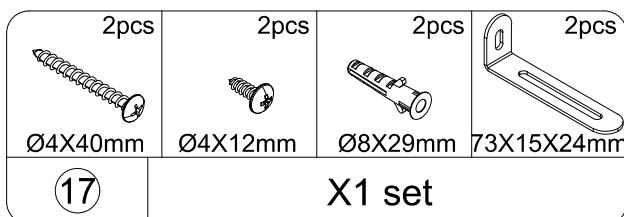
SHELF SUPPORT
spare:1



PERFECT STICKERS
spare:3



STOPPER



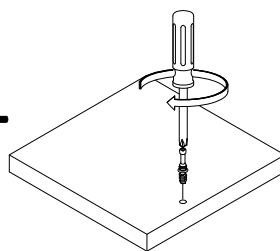
ANTI-TIPPING HARDWARE

Part List

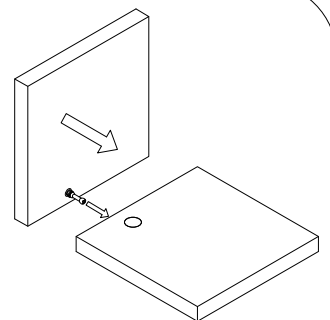
Cam Lock Fastening System

Insert the cam bolt into the hole first, then insert the cam lock and lock it.

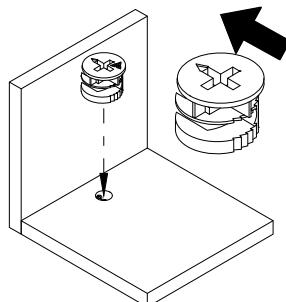
1



2

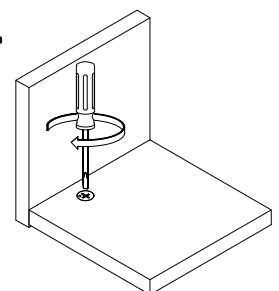


3



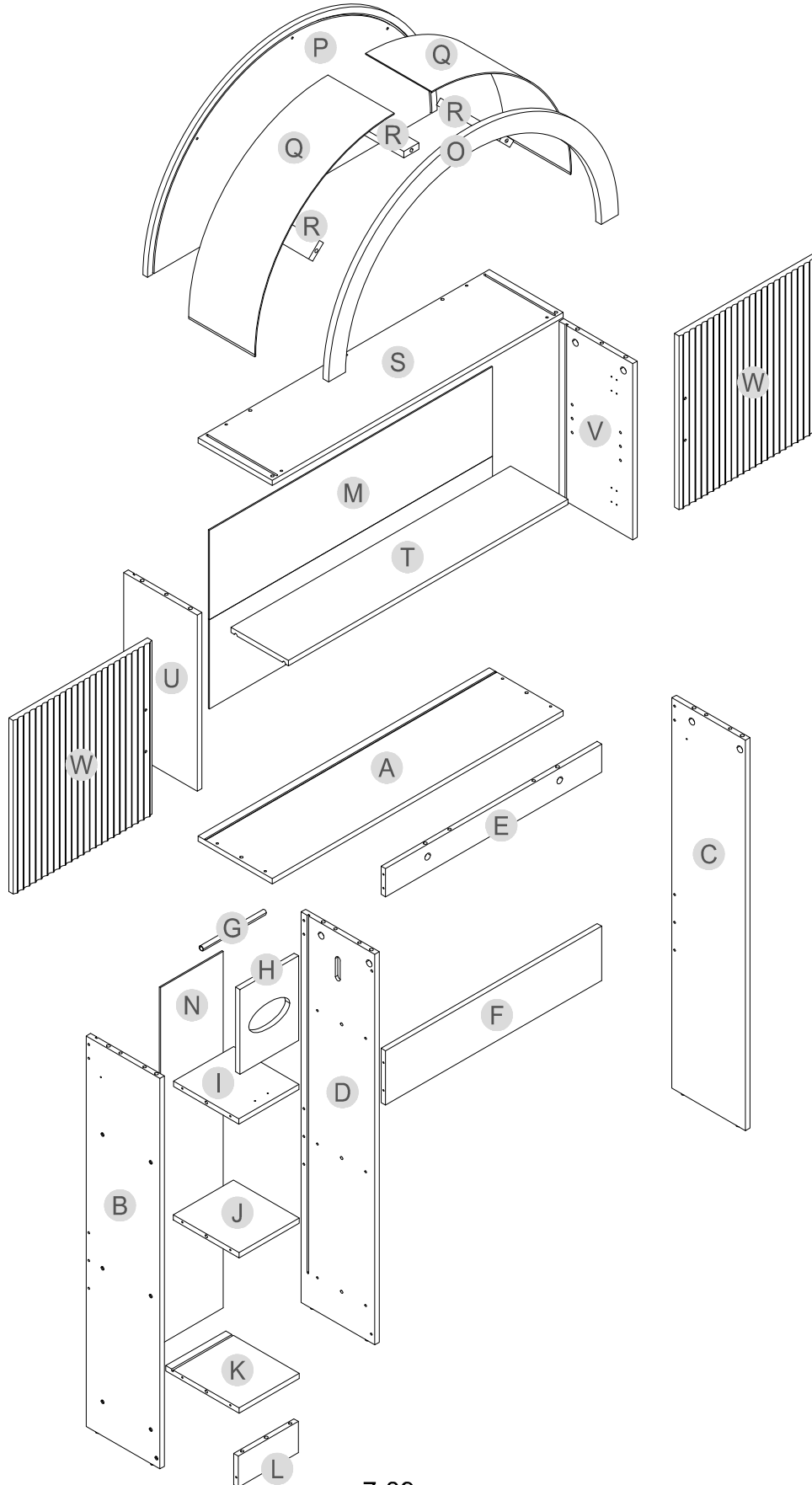
The opening must point toward the edge of the board

4

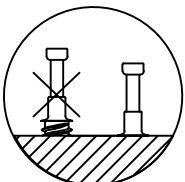
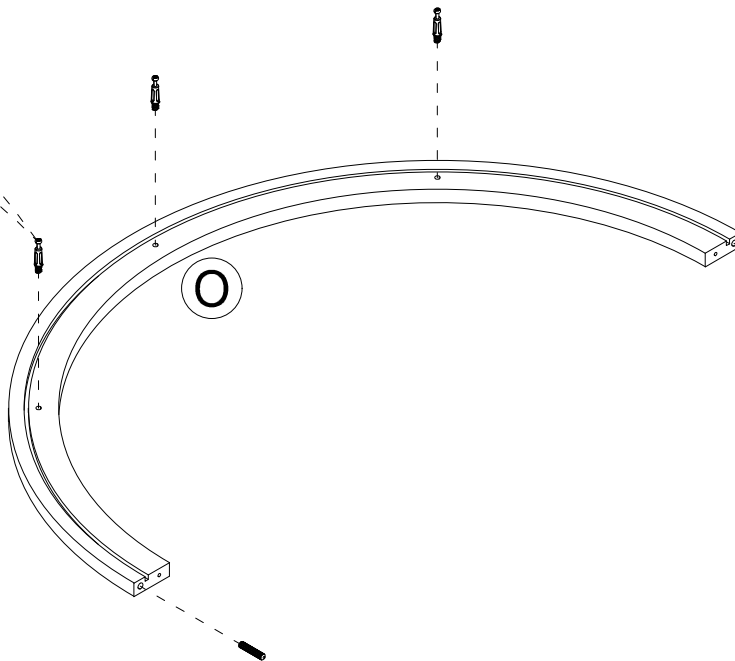
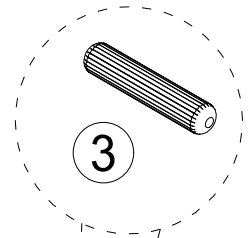
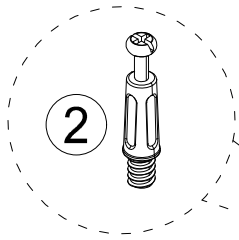
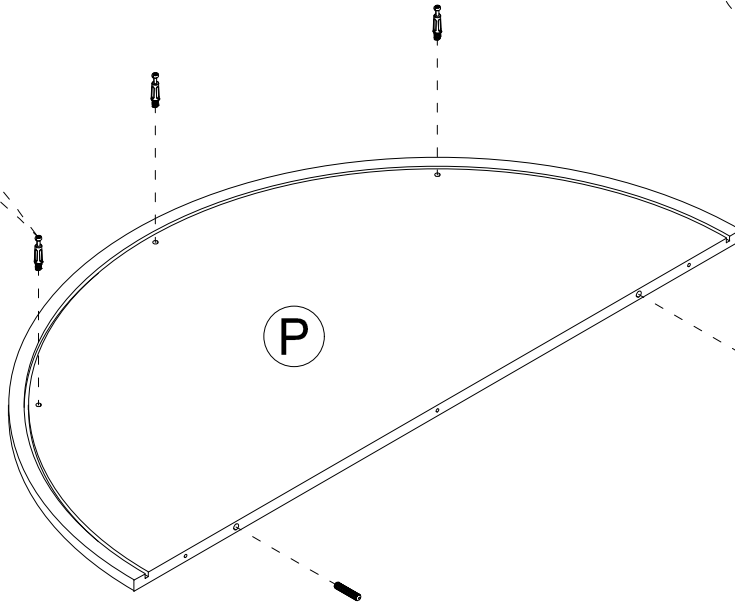
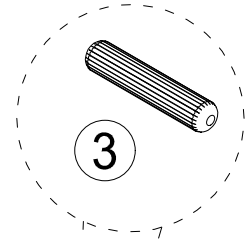
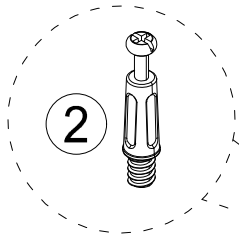
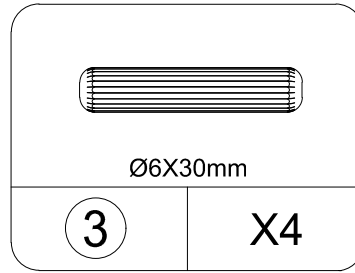
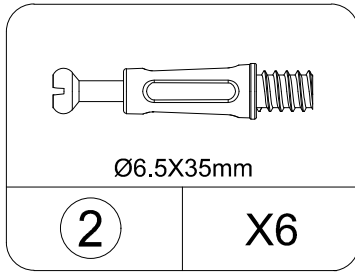
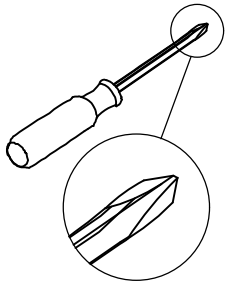


Board Identification

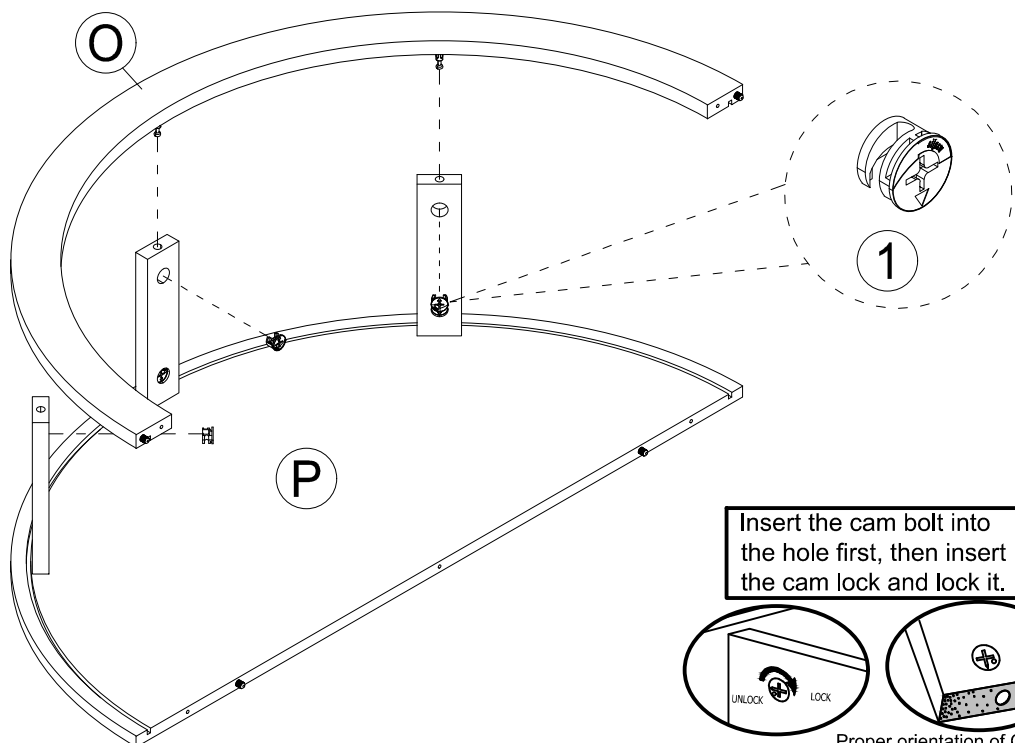
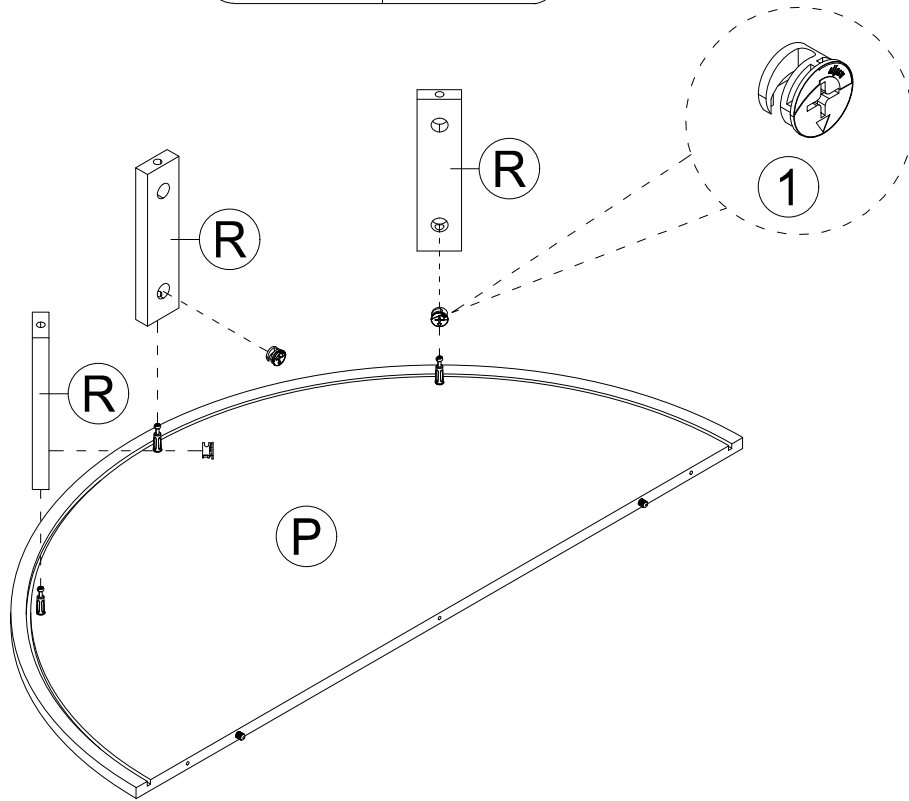
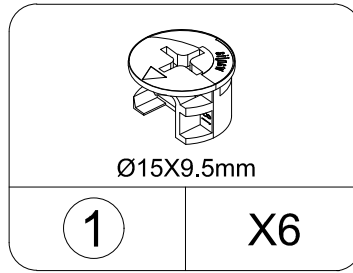
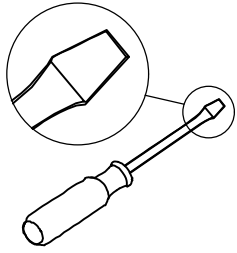
Not actual size



STEP 1

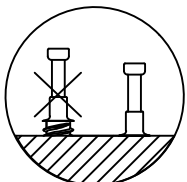
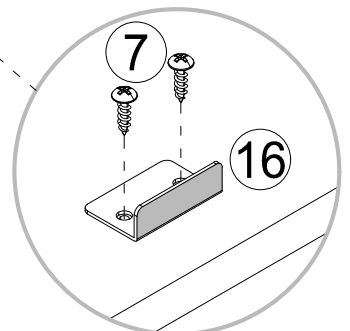
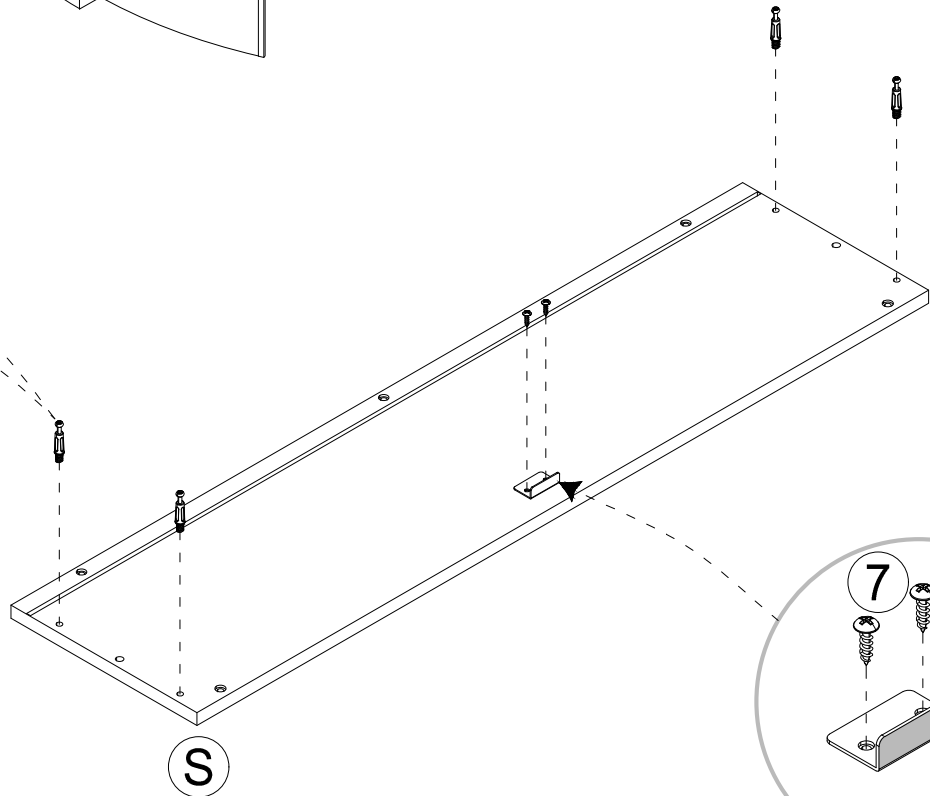
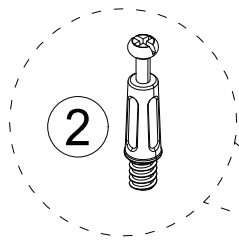
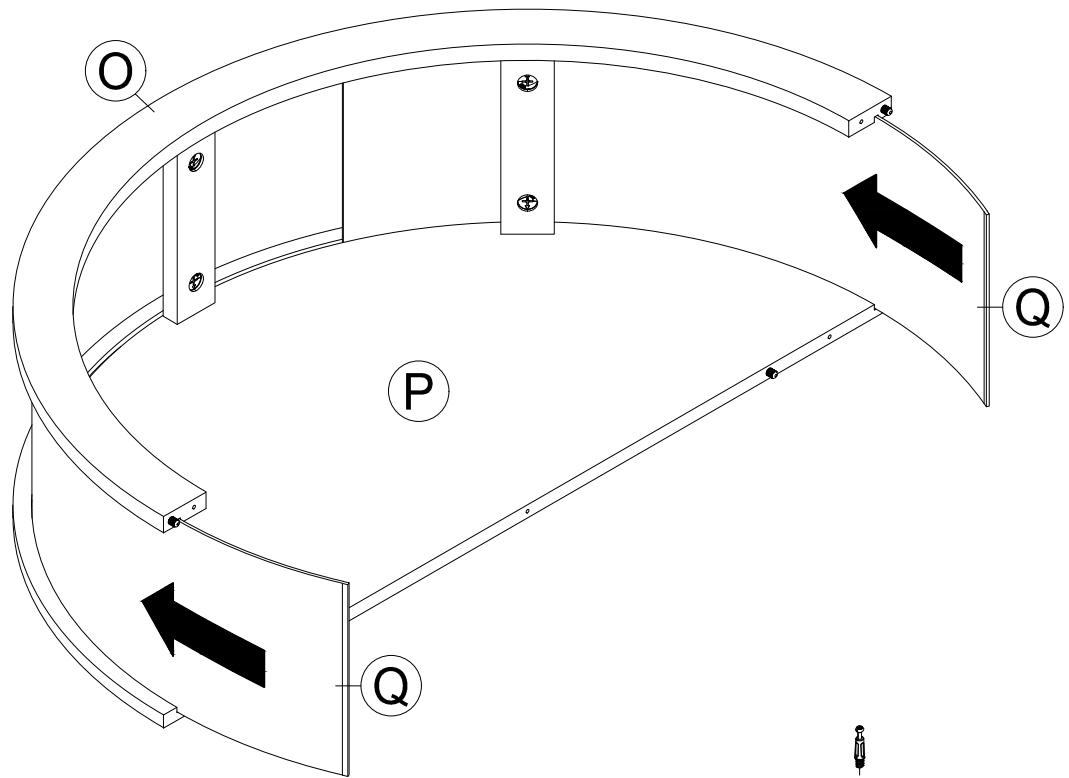
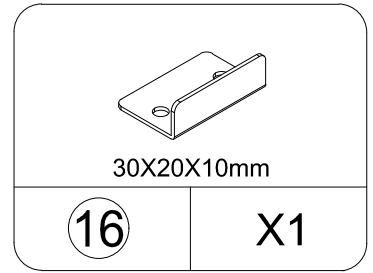
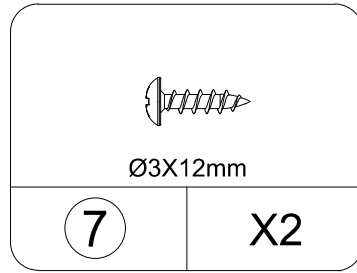
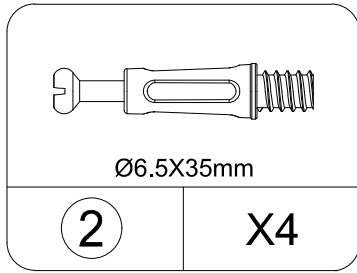
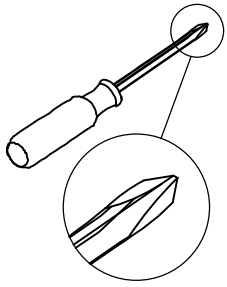


STEP2

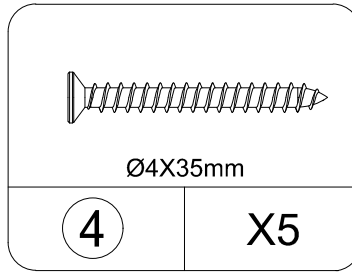
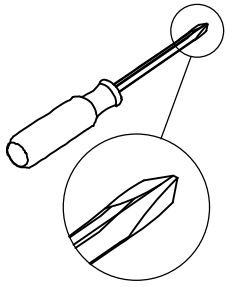


Proper orientation of CAM LOCK

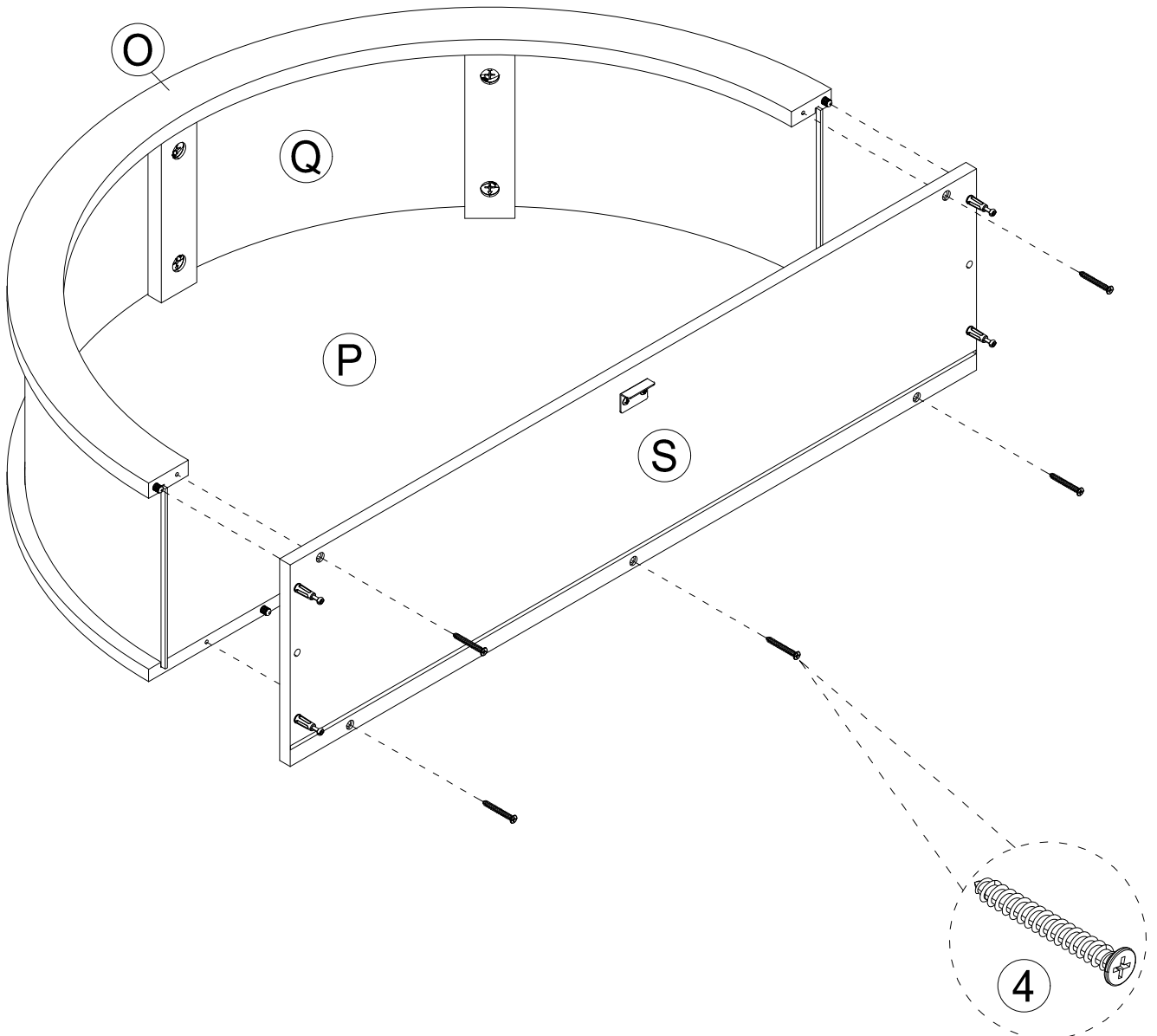
STEP 3



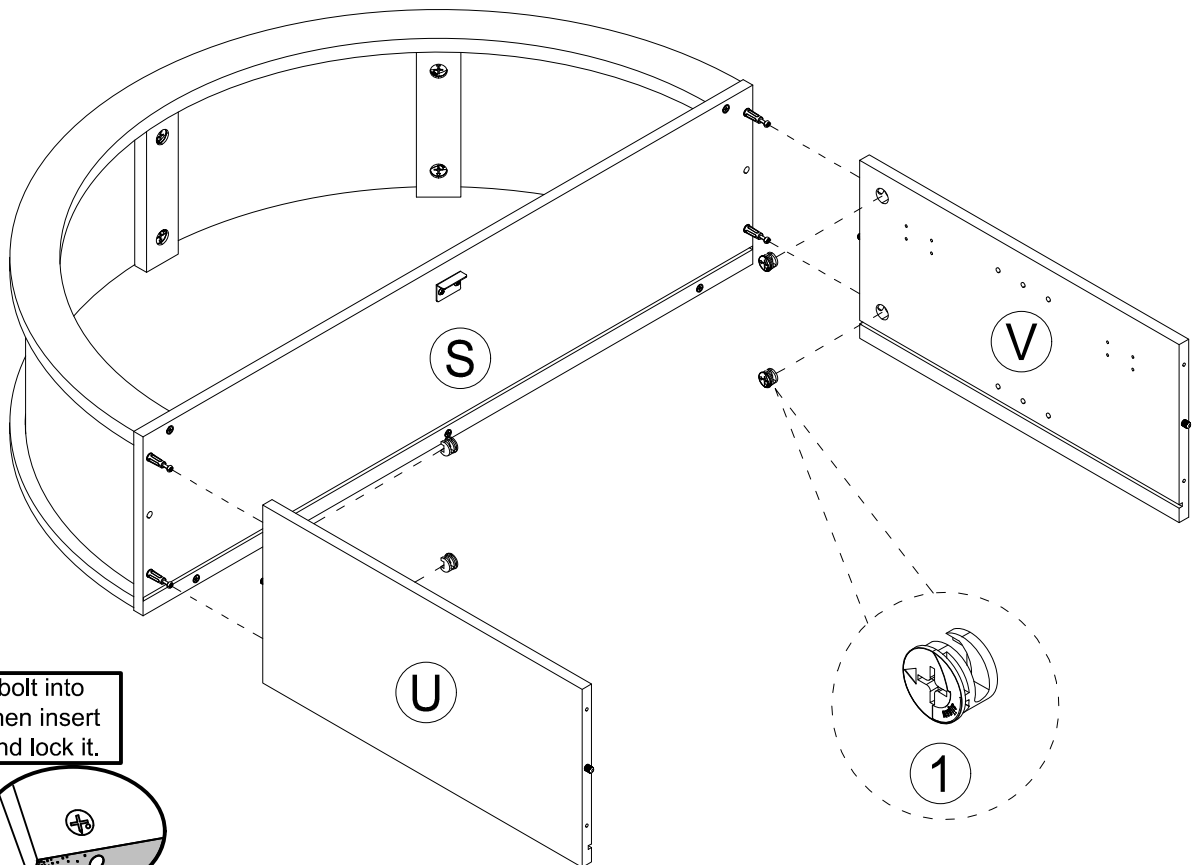
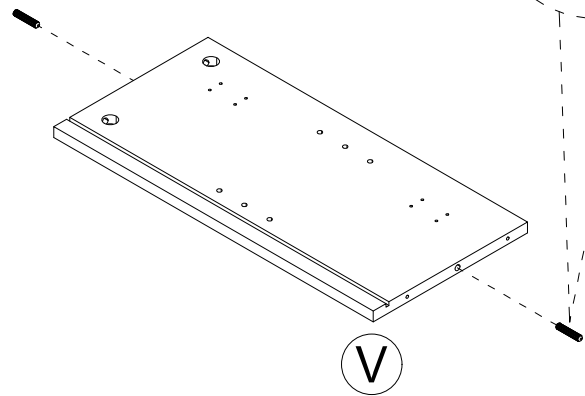
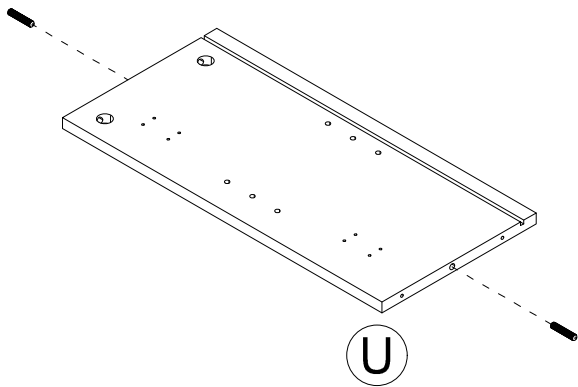
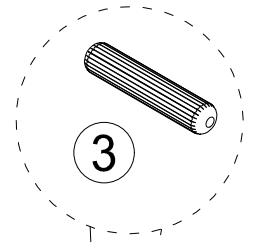
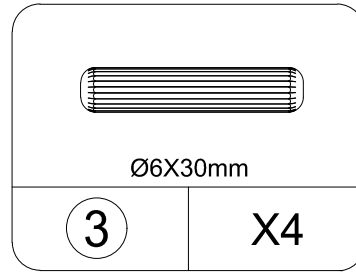
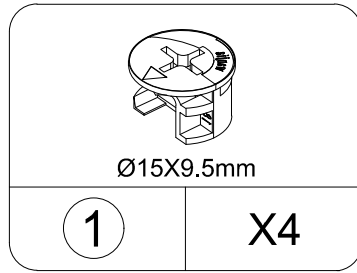
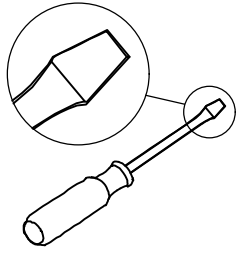
STEP 4



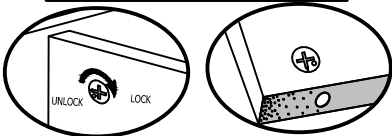
THIS STEP REQUIRES 2 PEOPLE



STEP5



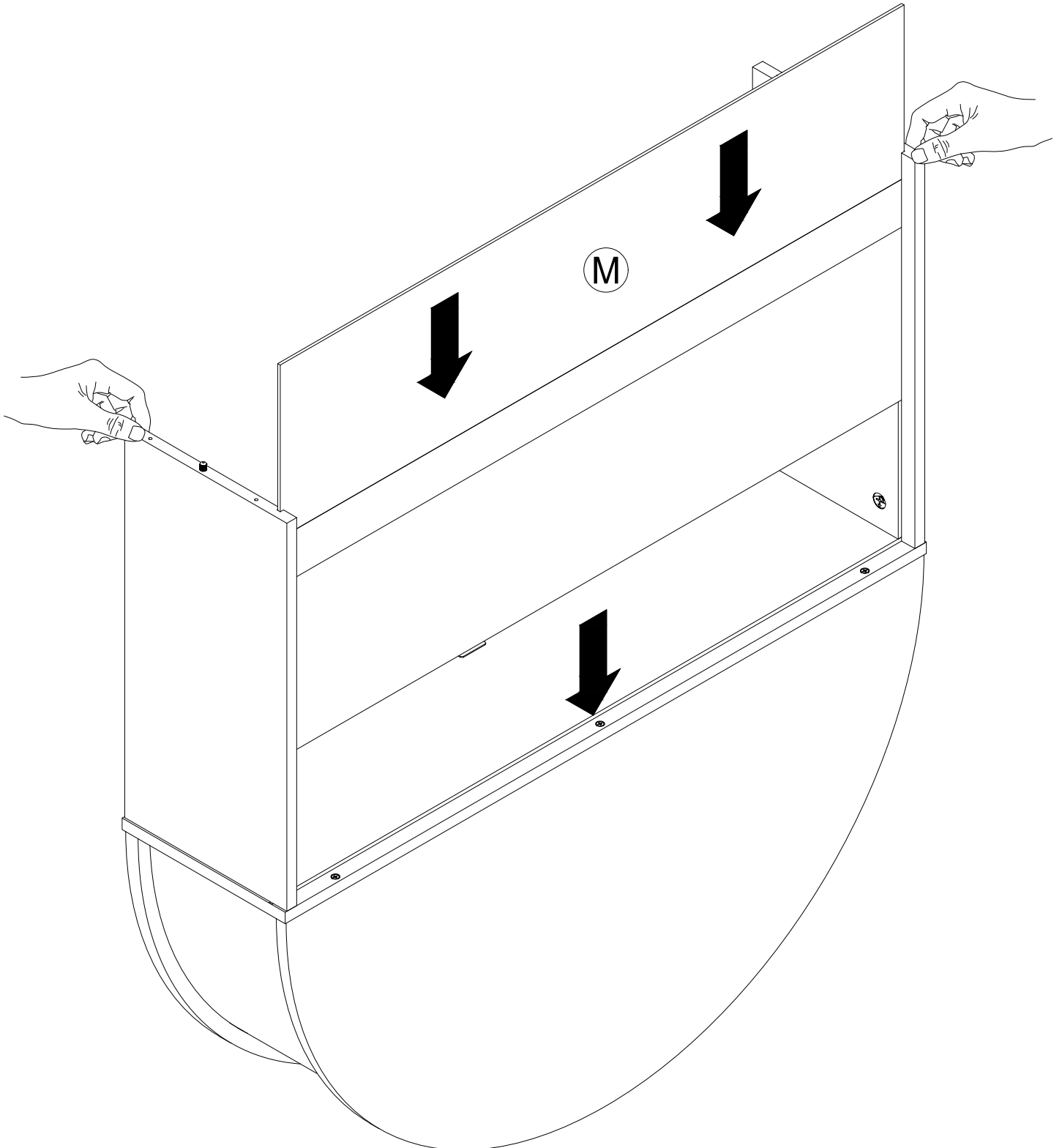
Insert the cam bolt into the hole first, then insert the cam lock and lock it.



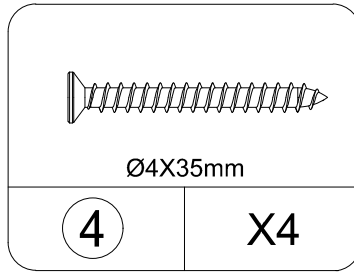
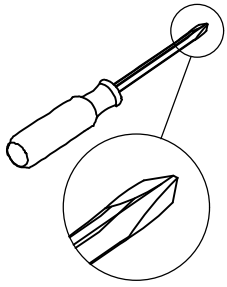
Proper orientation of CAM LOCK

STEP 6

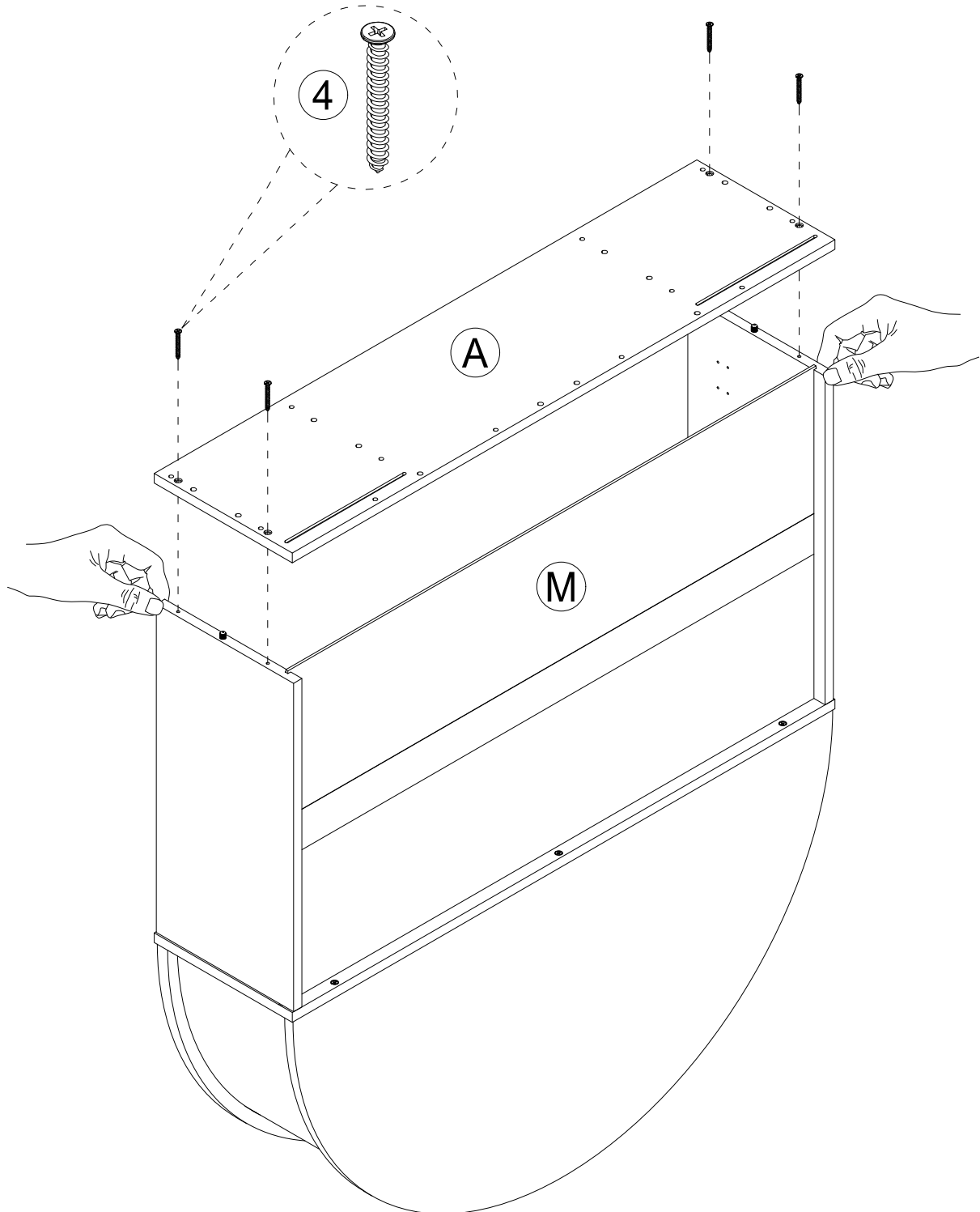
THIS STEP REQUIRES 2 PEOPLE



STEP 7



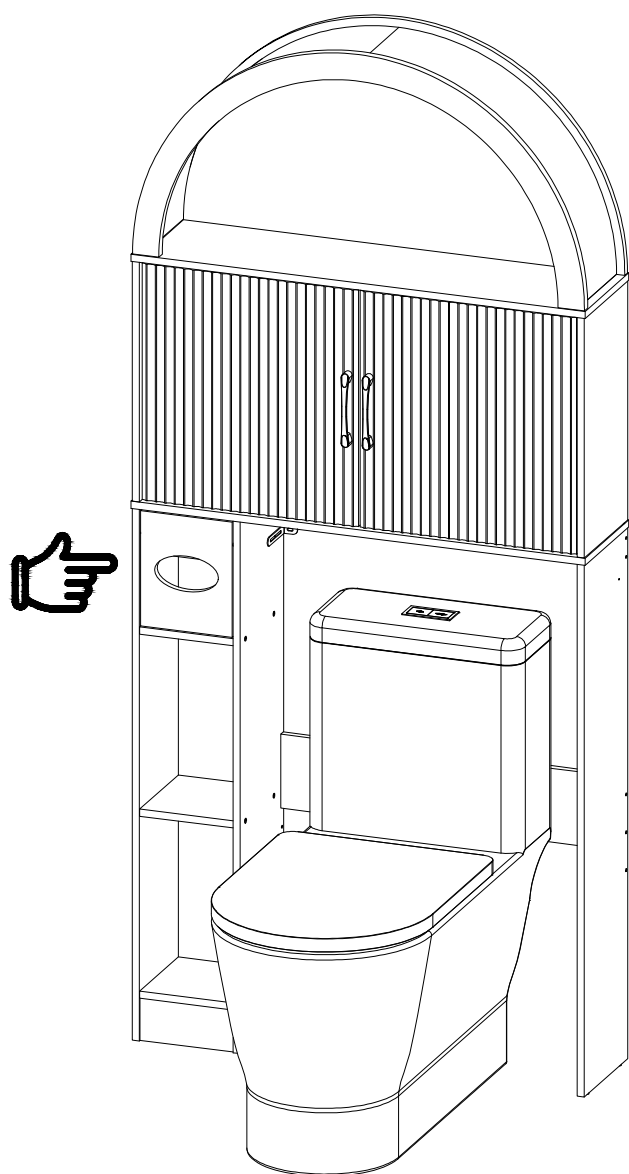
THIS STEP REQUIRES 2 PEOPLE



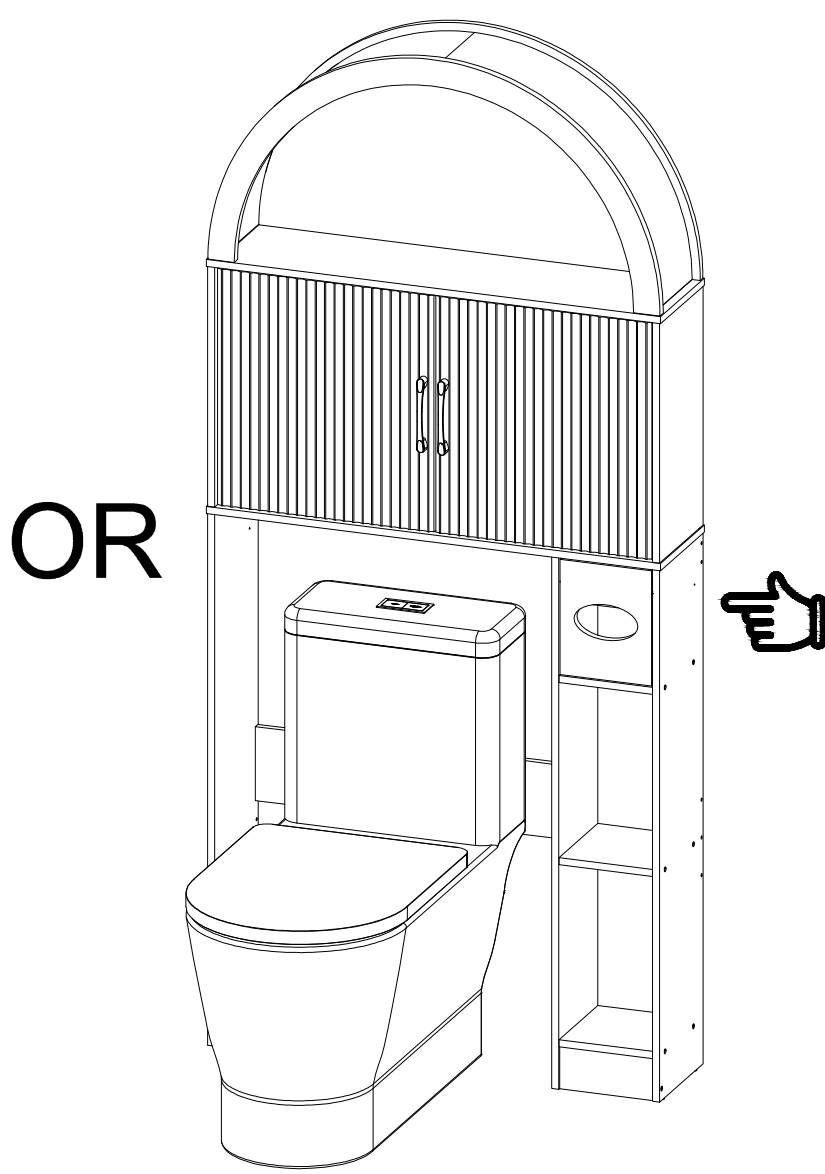
Installation instructions

There are two ways to install the product, and we'll indicate both methods at key steps. You can select the installation approach that best suits your needs.

Scheme 1

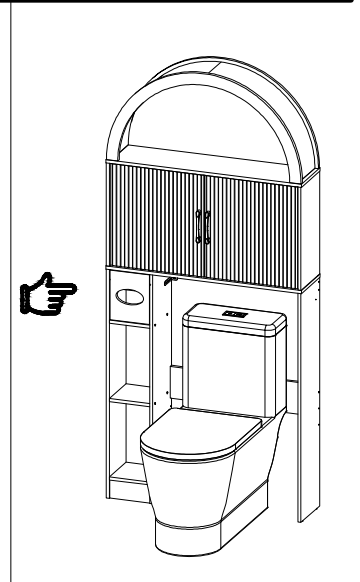
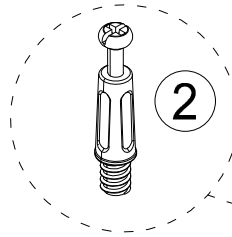
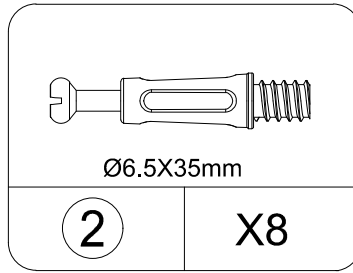
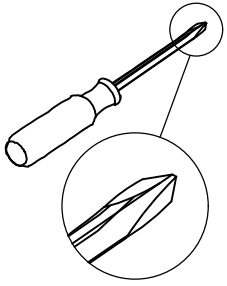


Scheme 2

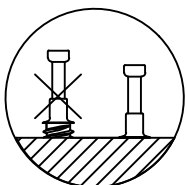
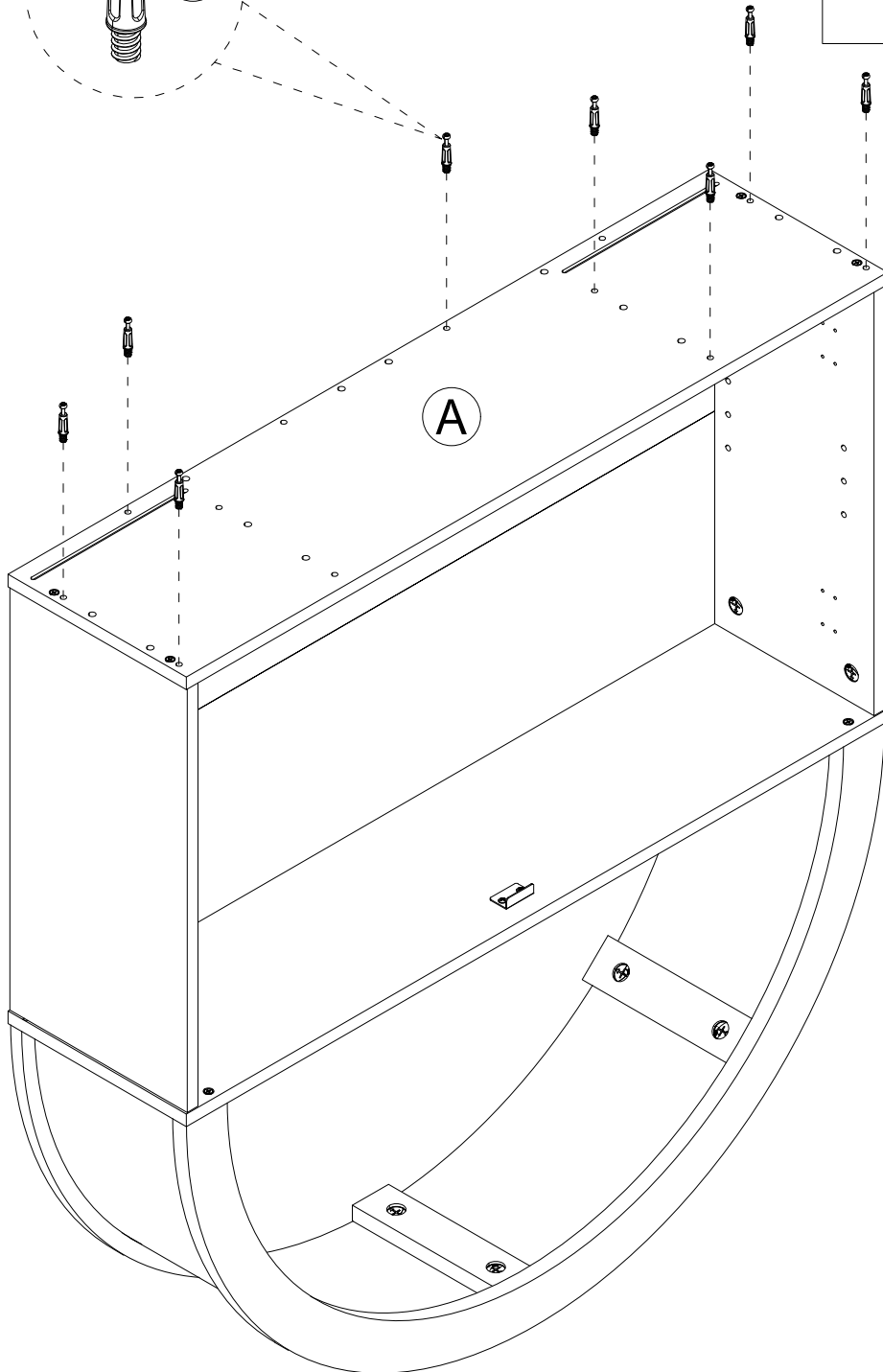


OR

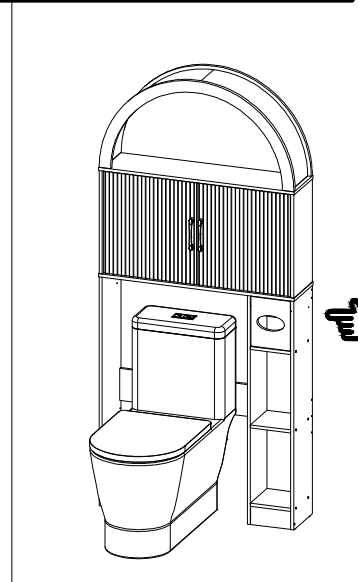
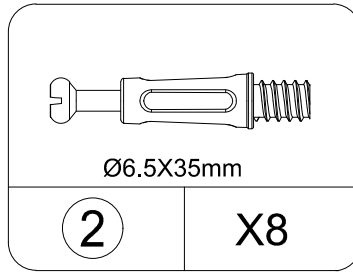
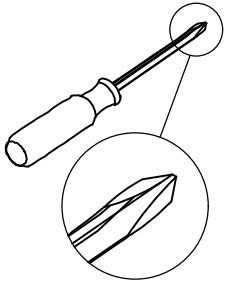
STEP8 (Scheme 1)



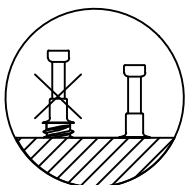
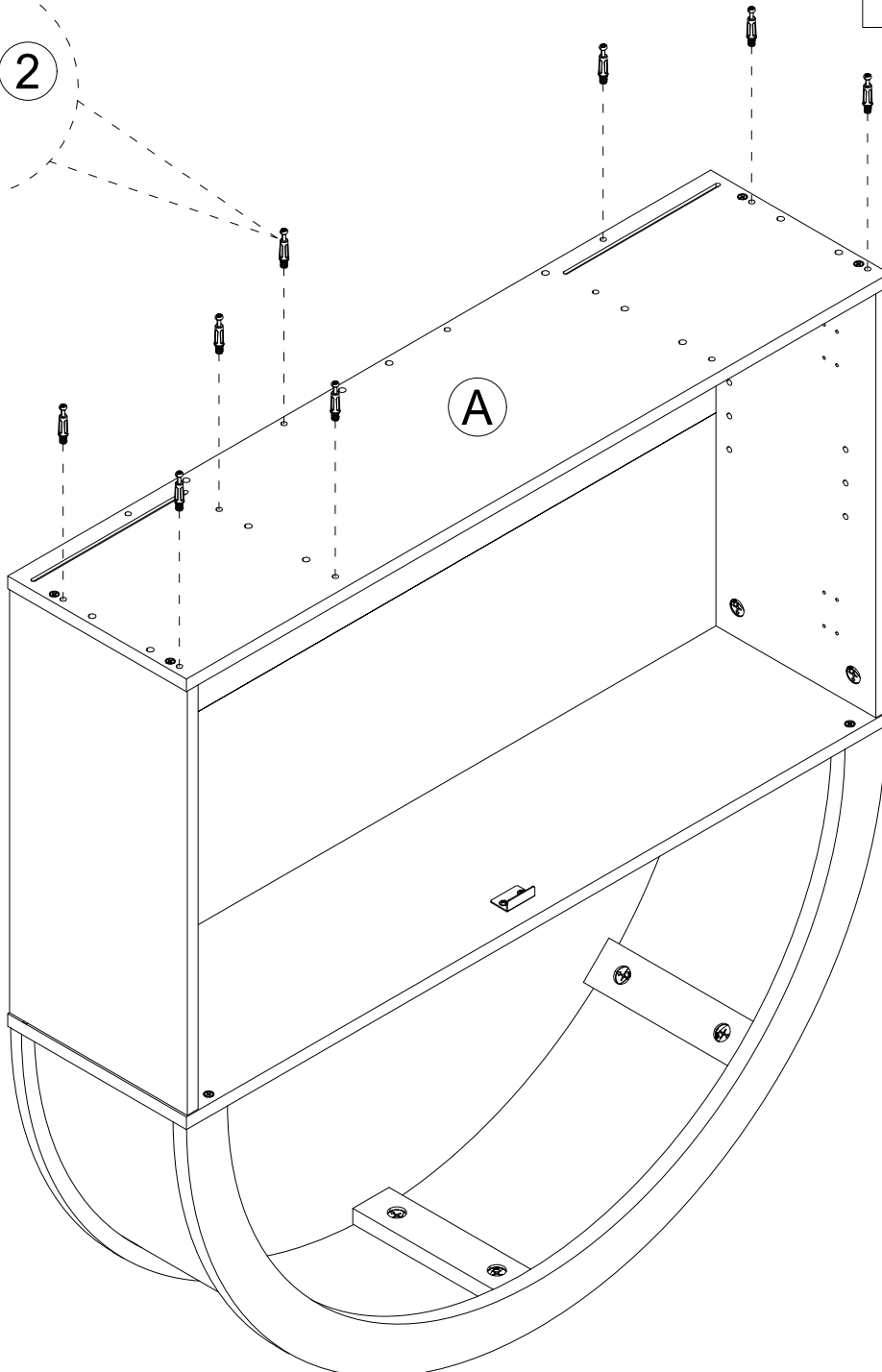
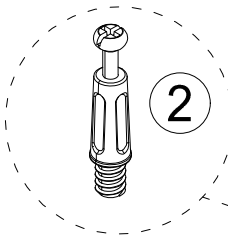
Scheme 1



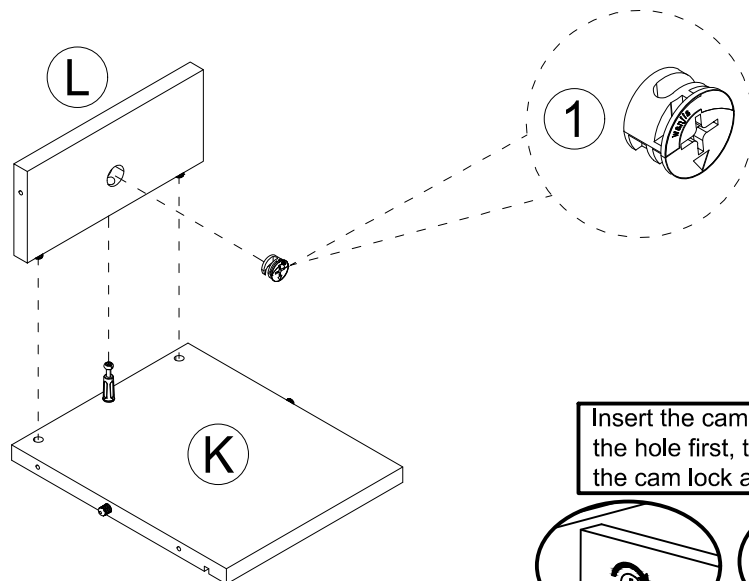
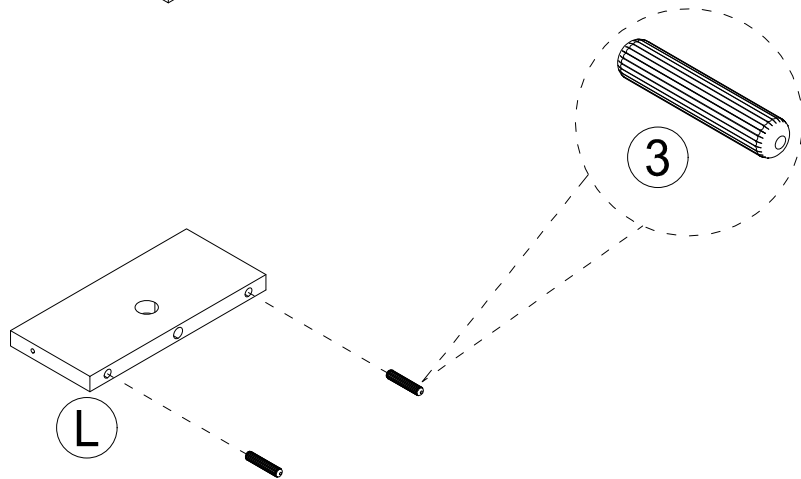
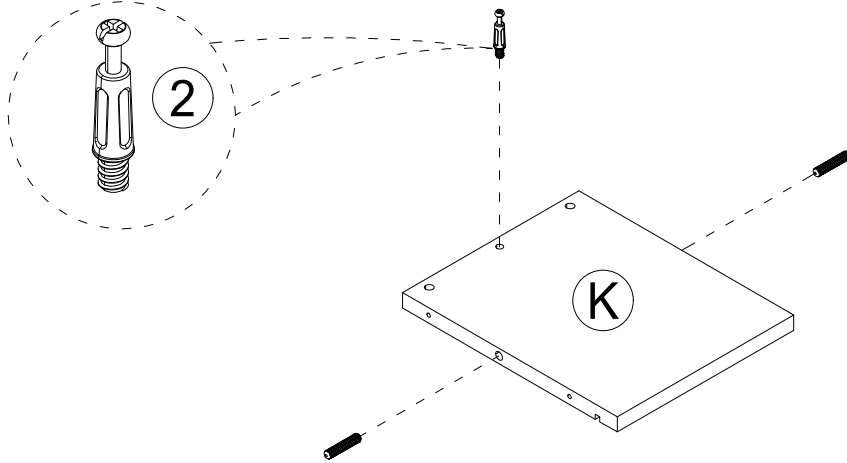
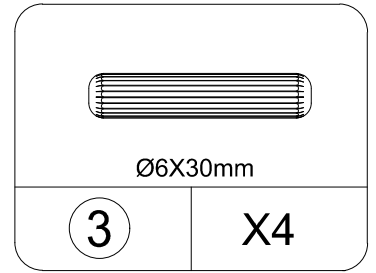
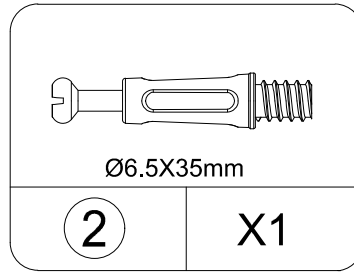
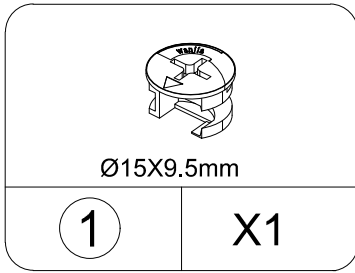
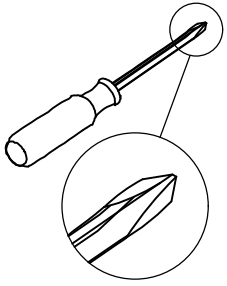
STEP8 (Scheme 2)



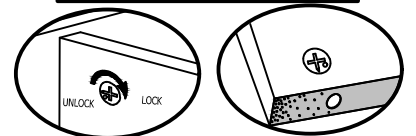
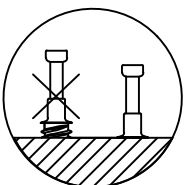
Scheme 2



STEP 9

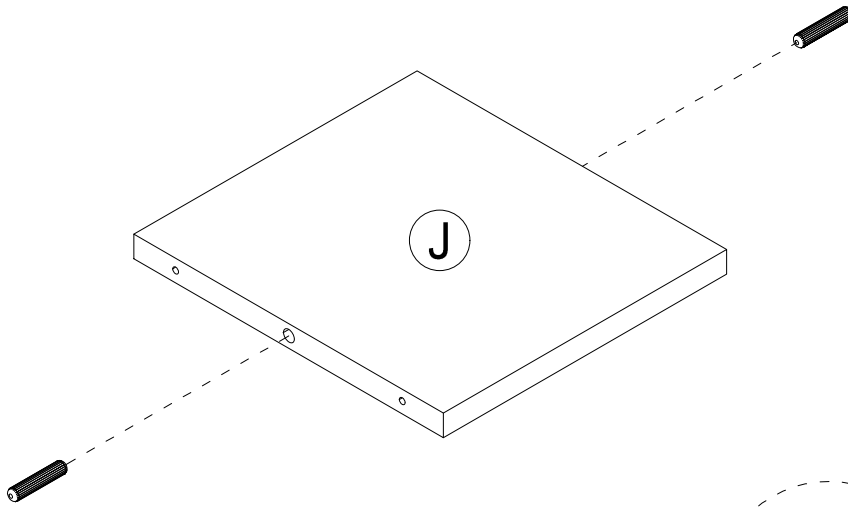
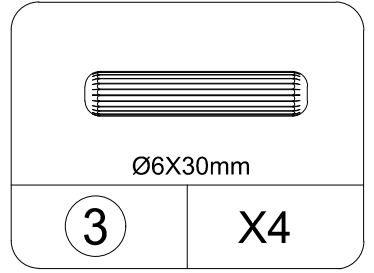
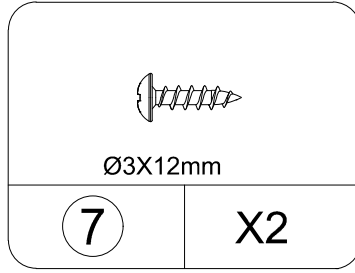
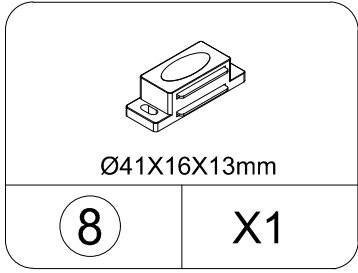
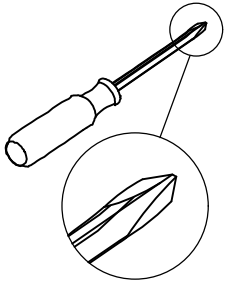


Insert the cam bolt into the hole first, then insert the cam lock and lock it.

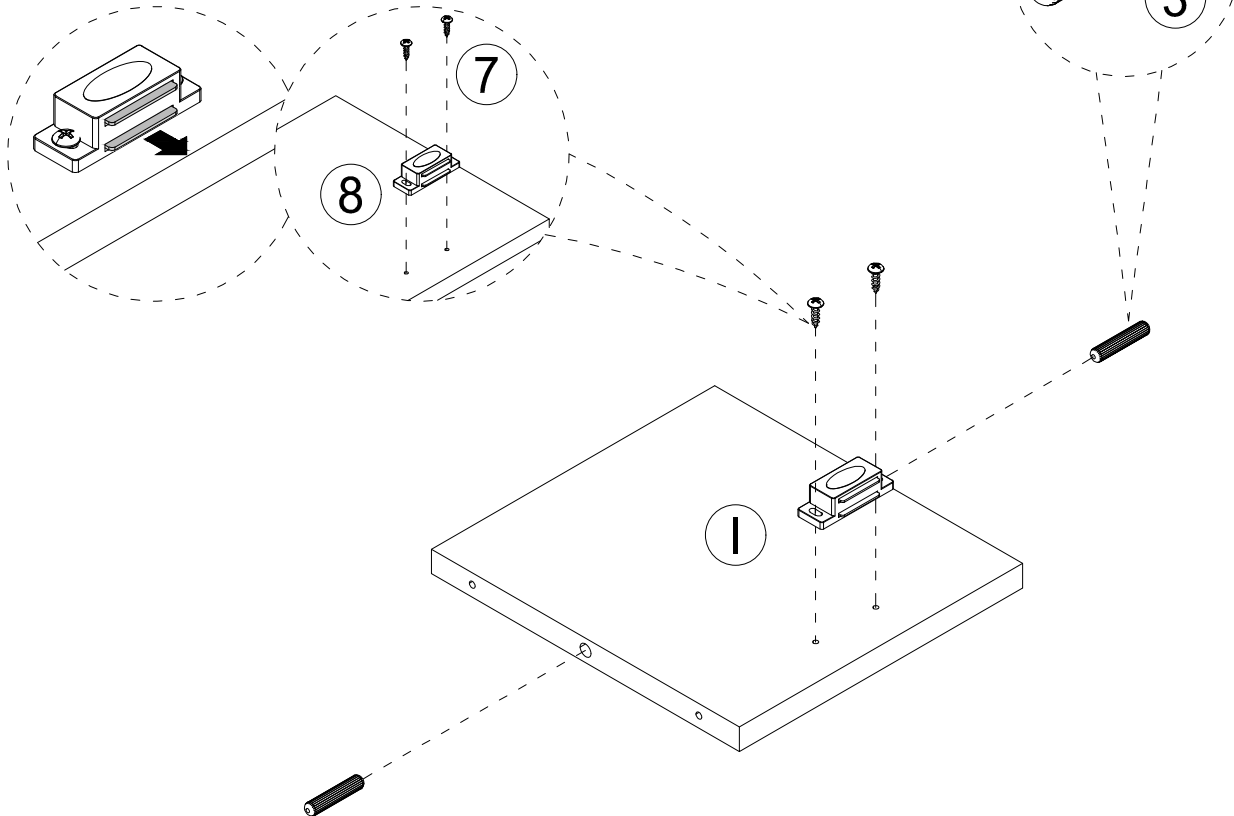


Proper orientation of CAM LOCK

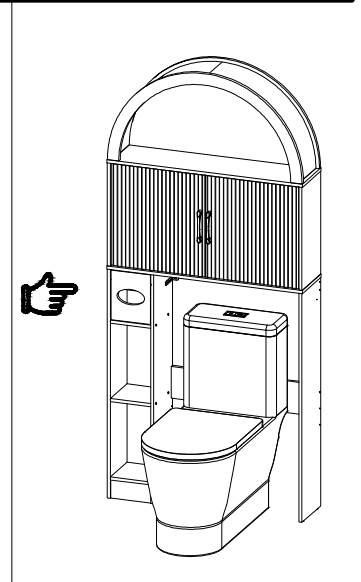
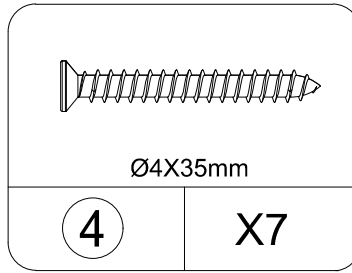
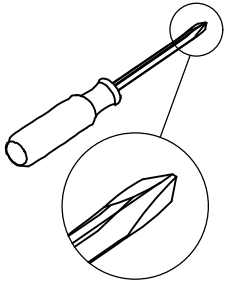
STEP10



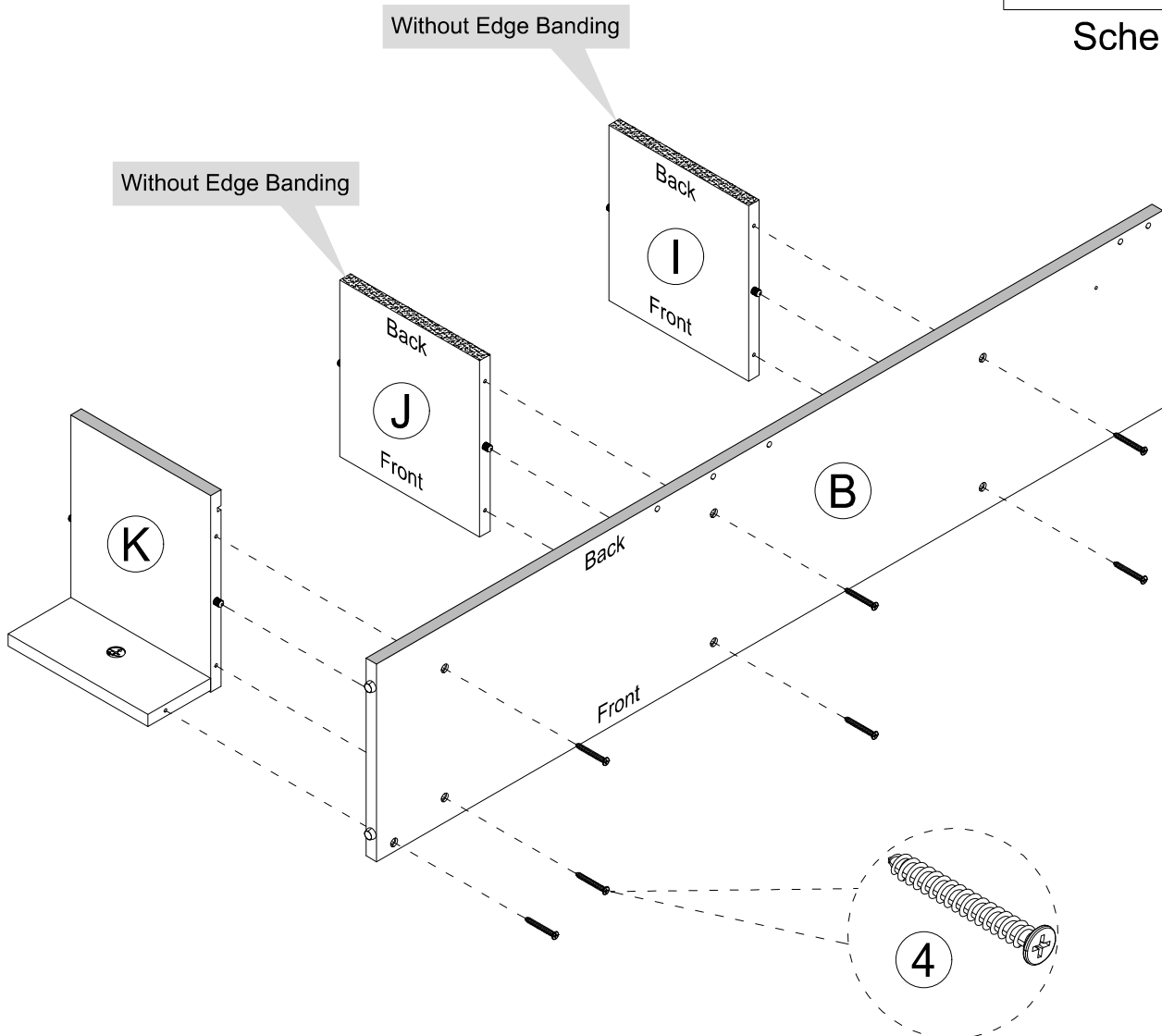
Note: Magnet facing forward



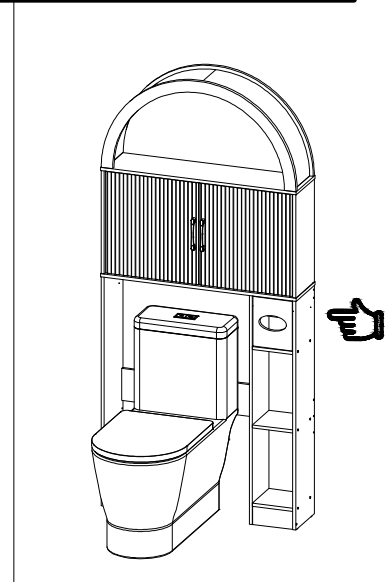
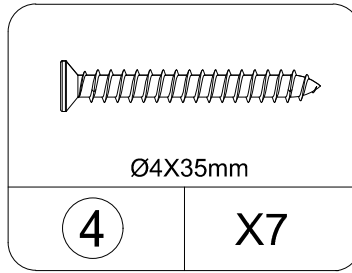
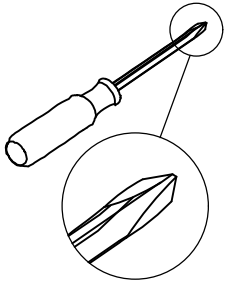
STEP11 (Scheme 1)



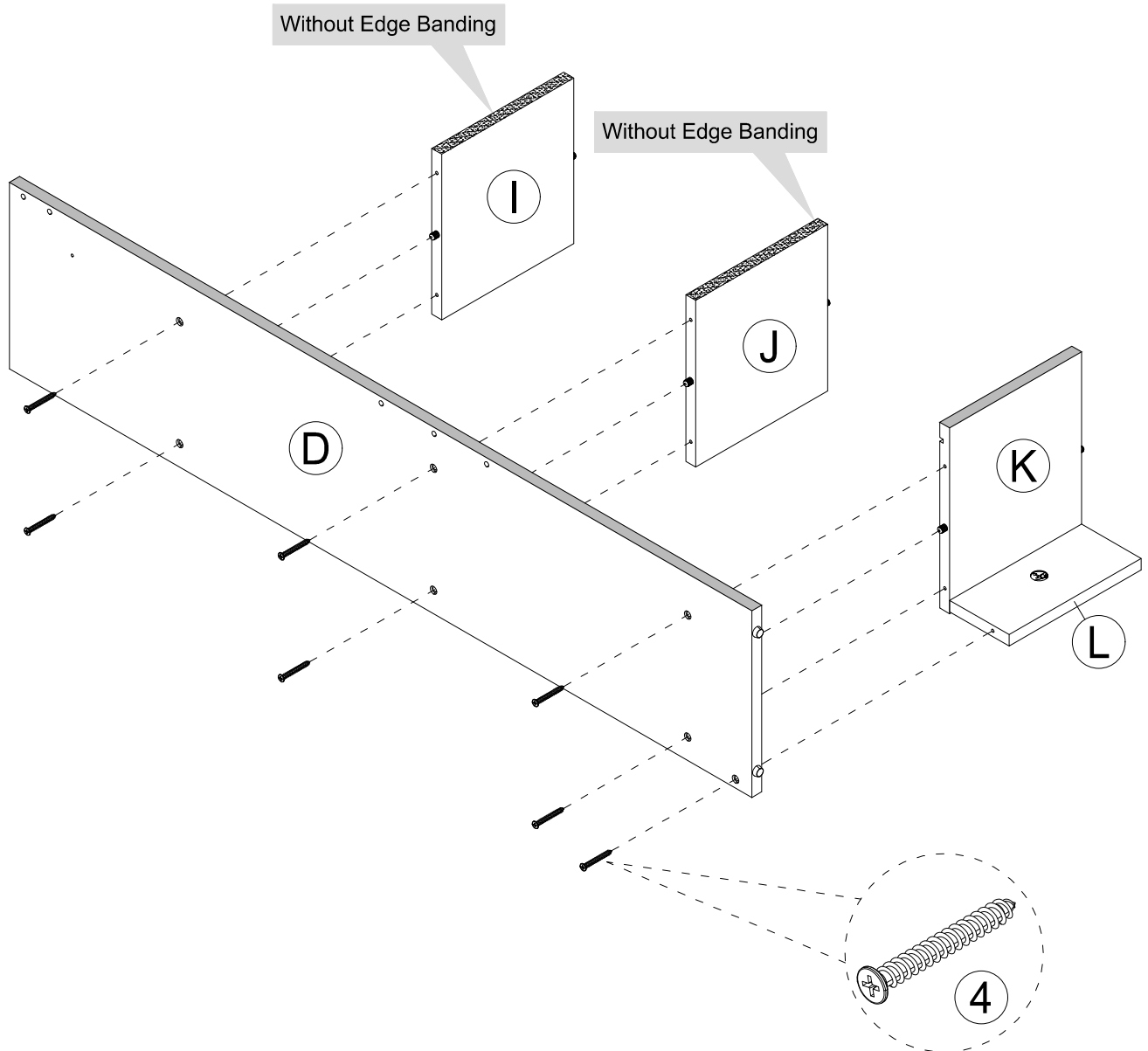
Scheme 1



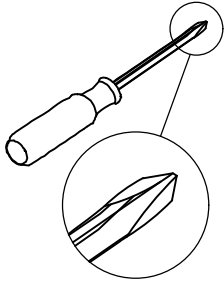
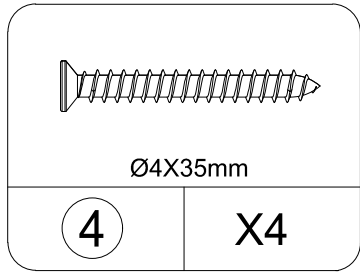
STEP11 (Scheme 2)



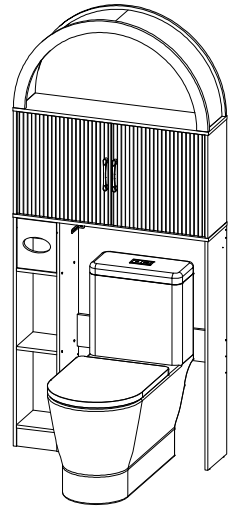
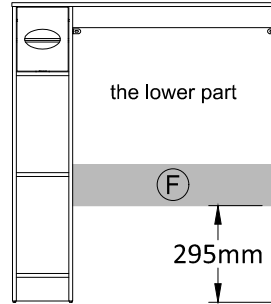
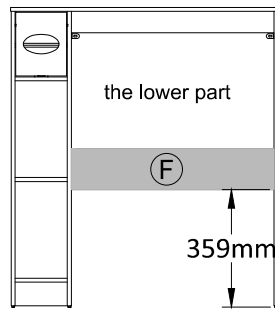
Scheme 2



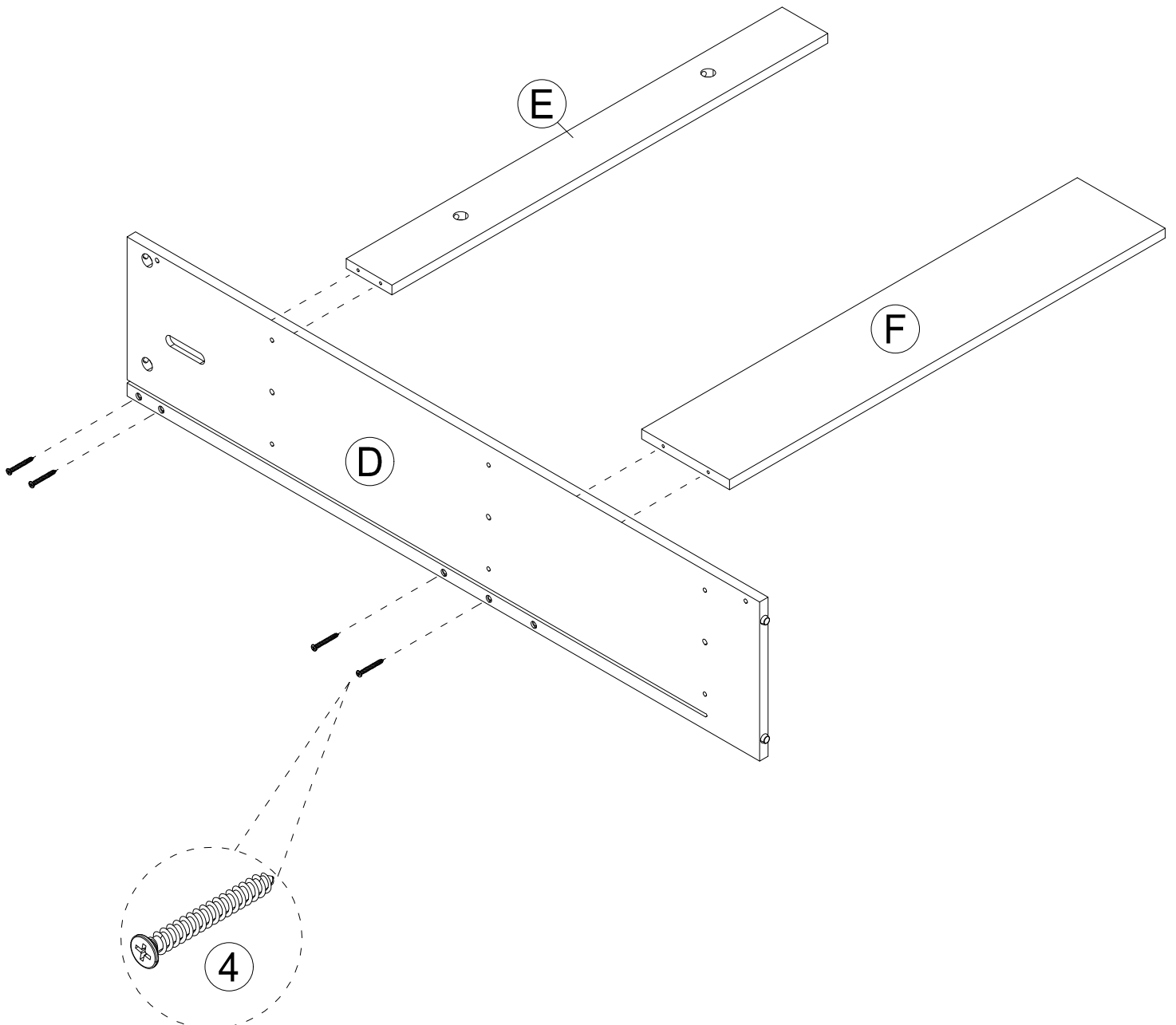
STEP12 (Scheme 1)



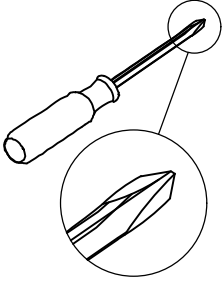
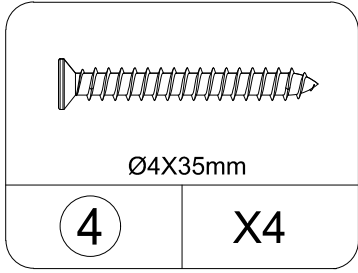
The height of part (F) can be adjusted according to the needs of the toilet, as shown in the figure



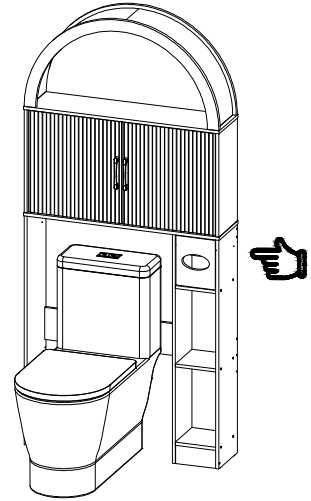
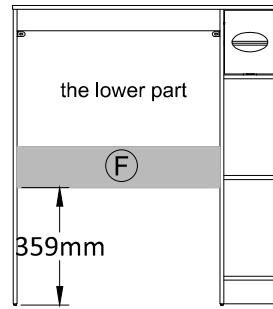
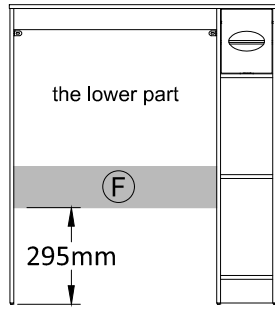
Scheme 1



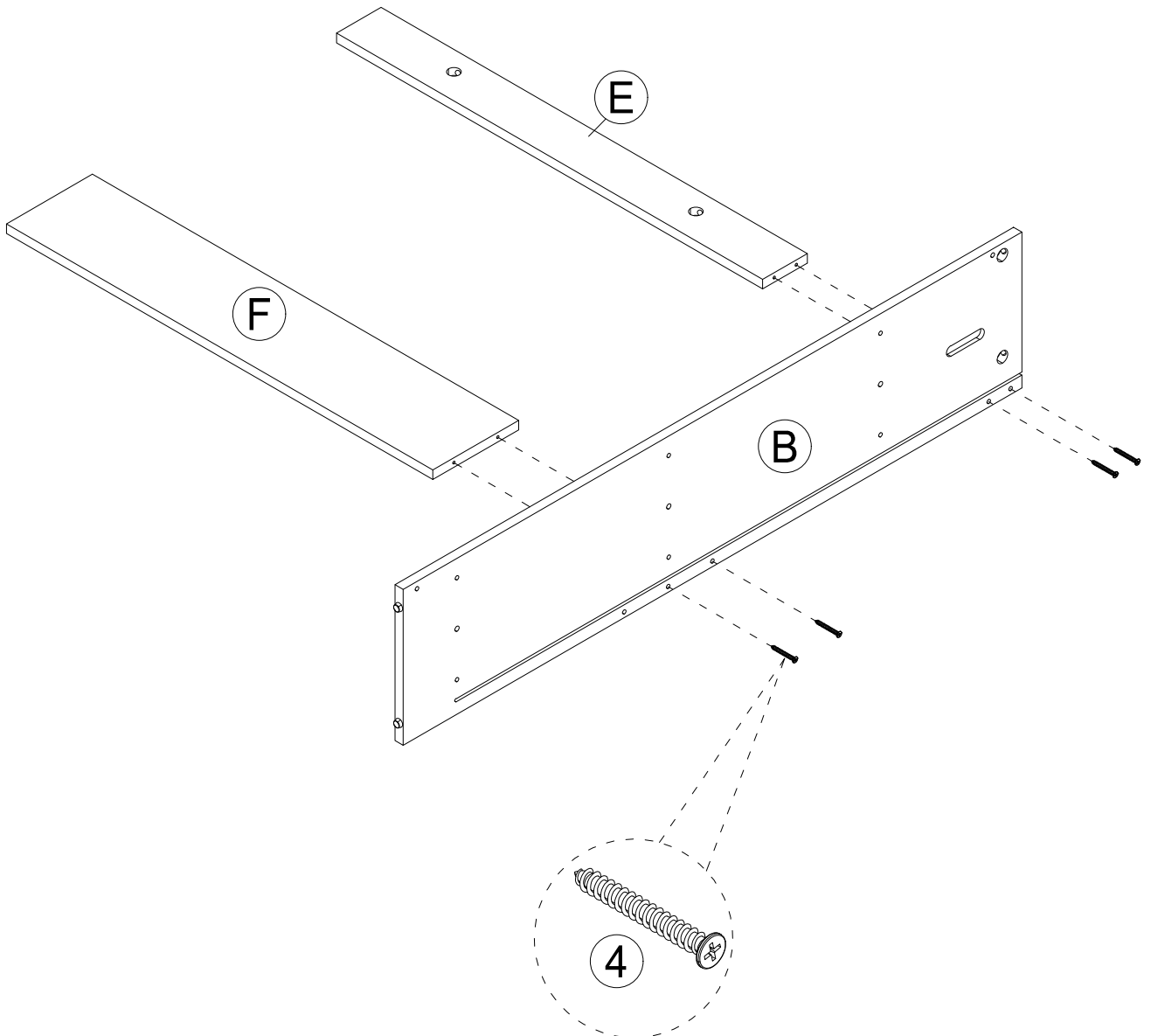
STEP12 (Scheme 2)



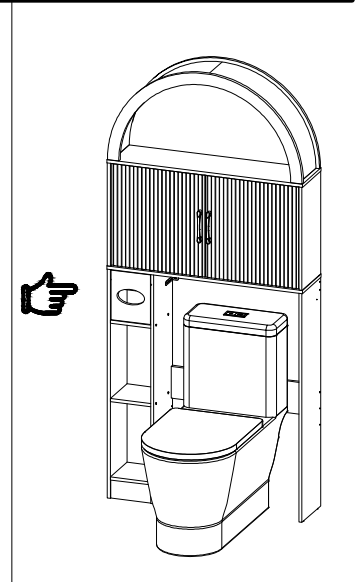
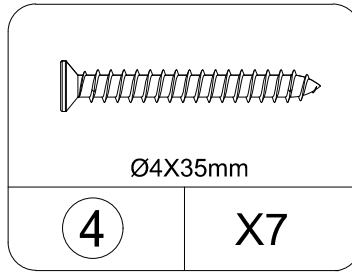
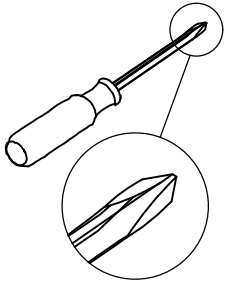
The height of part (F) can be adjusted according to the needs of the toilet, as shown in the figure



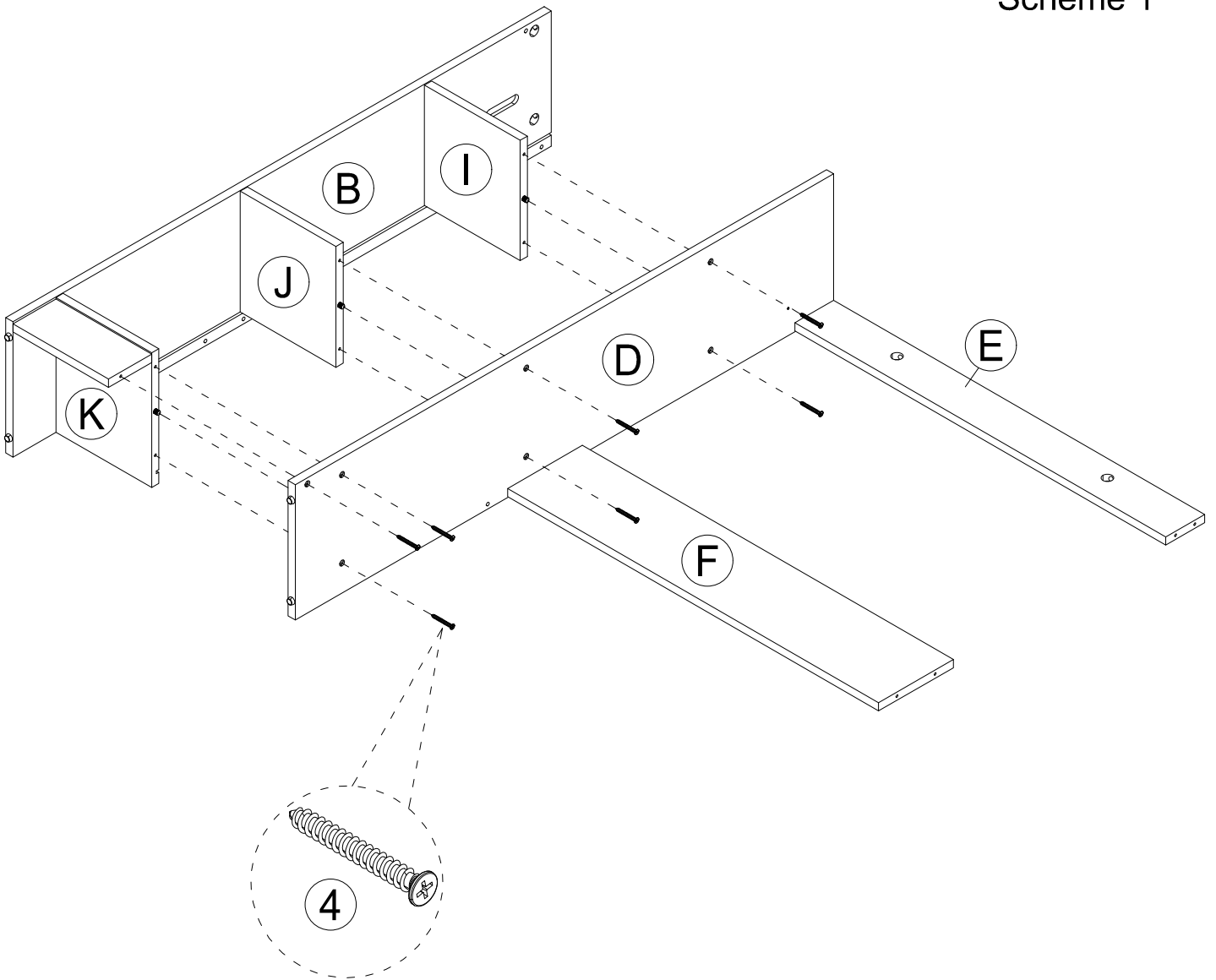
Scheme 2



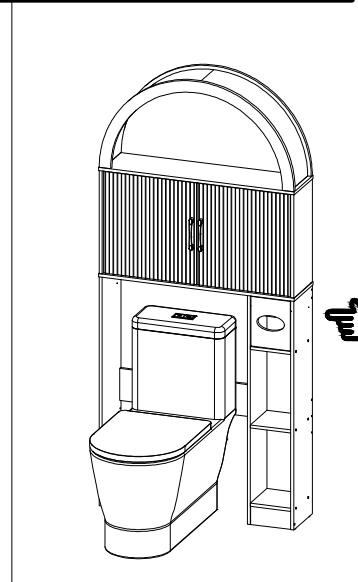
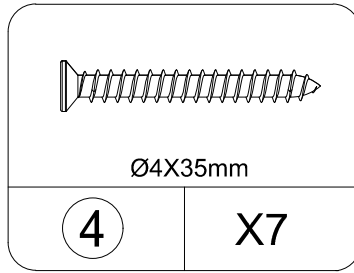
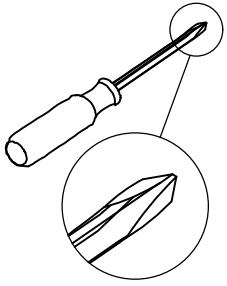
STEP13 (Scheme 1)



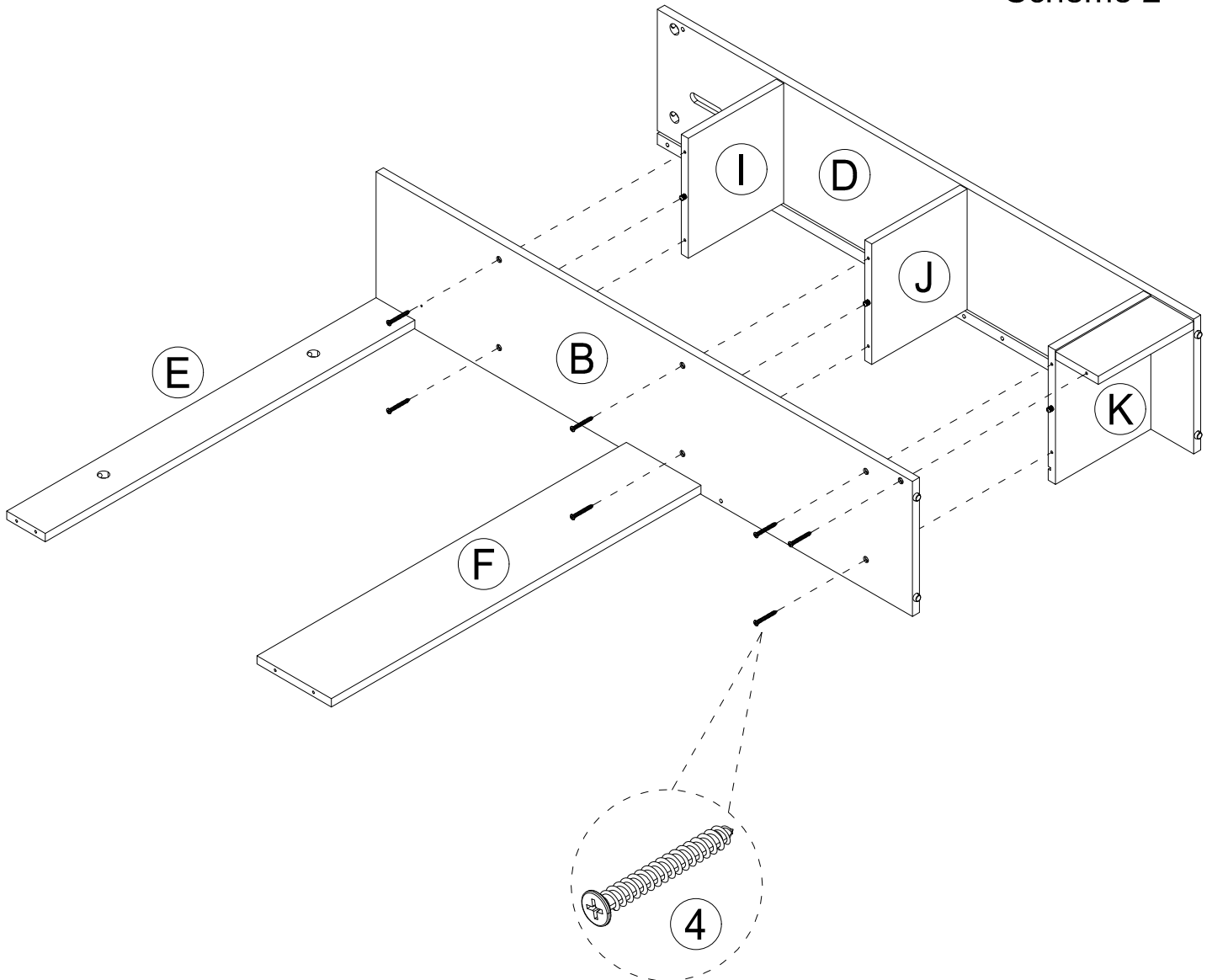
Scheme 1



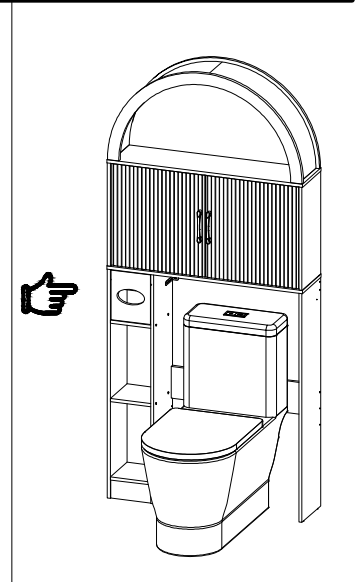
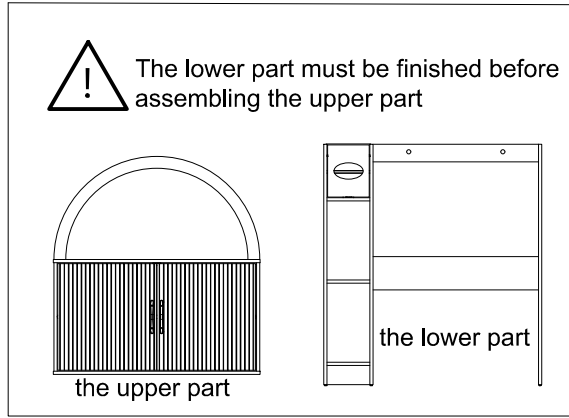
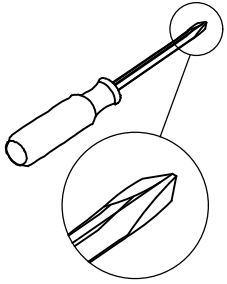
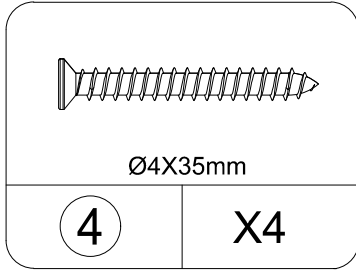
STEP13 (Scheme 2)



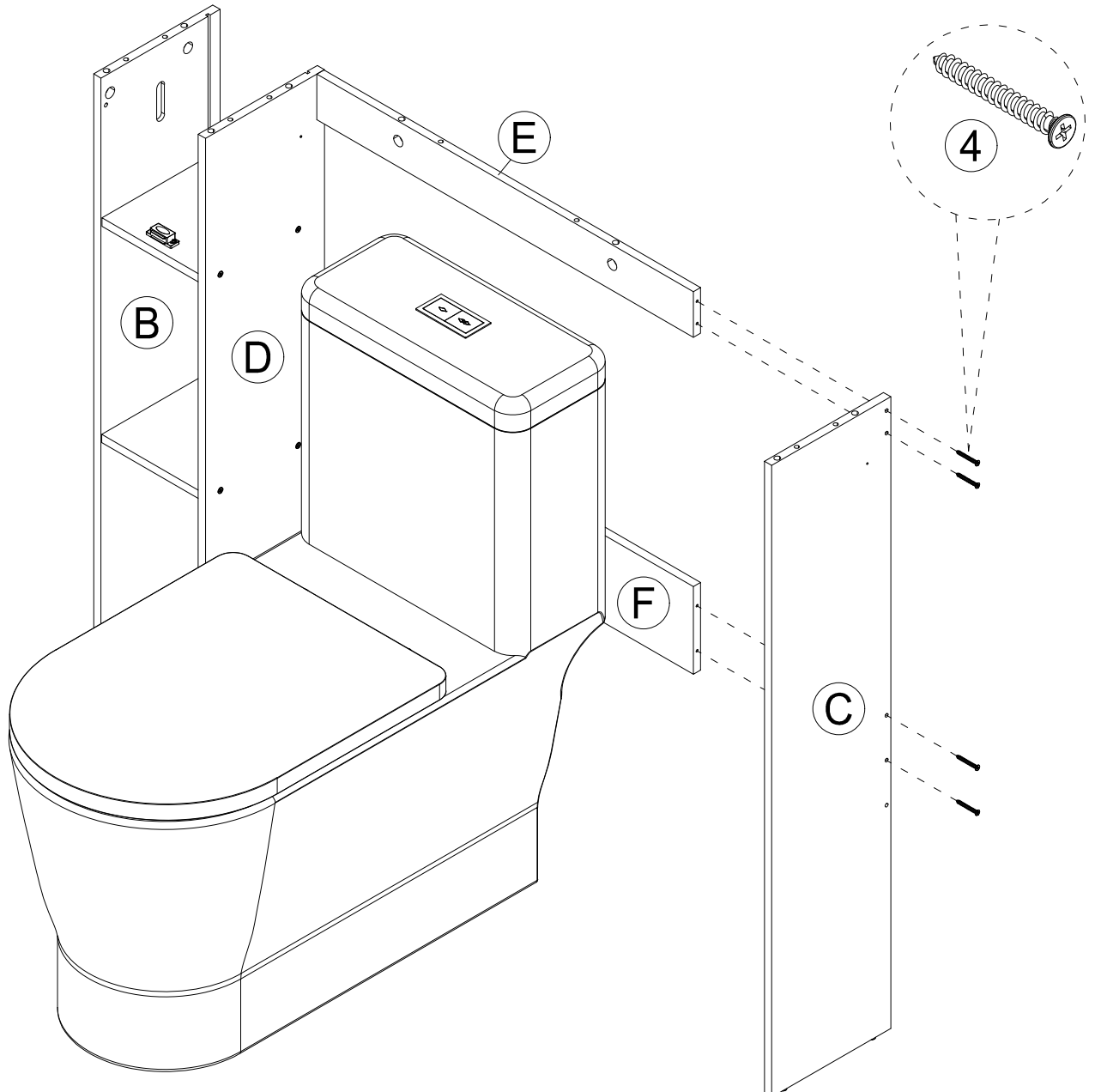
Scheme 2



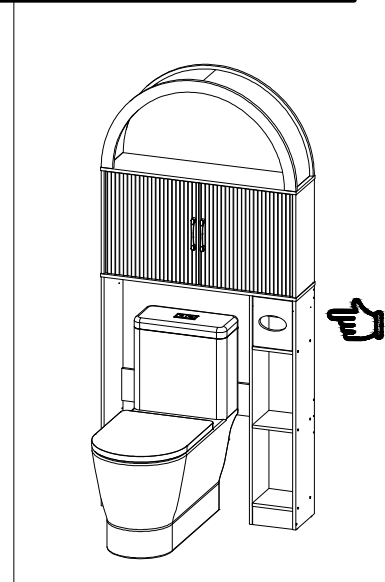
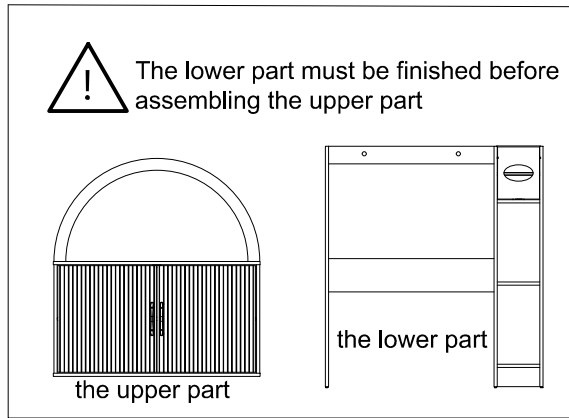
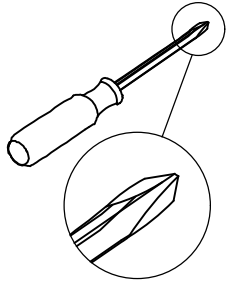
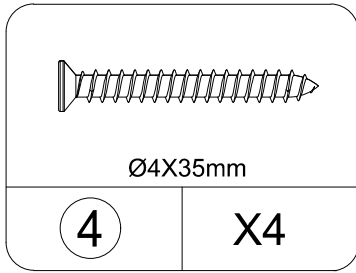
STEP14 (Scheme 1)



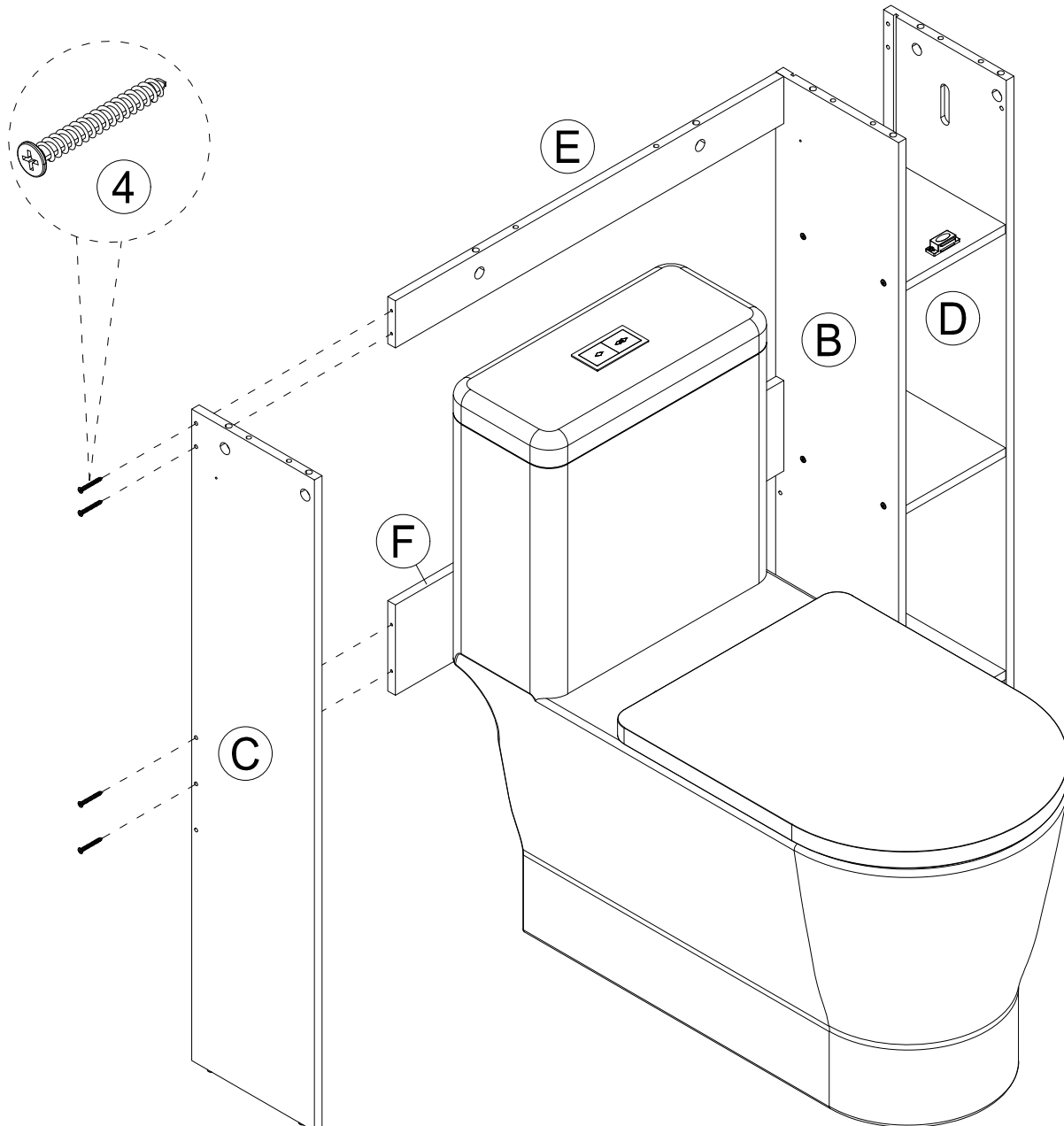
THIS STEP REQUIRES 2 PEOPLE



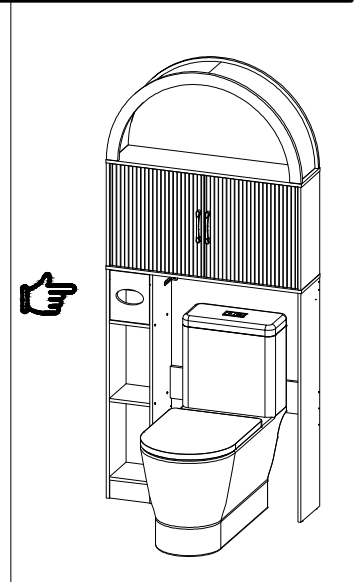
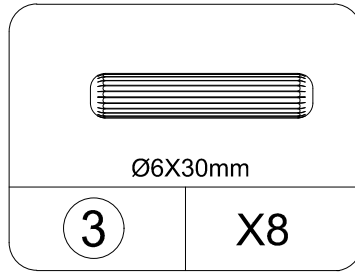
STEP14 (Scheme 2)



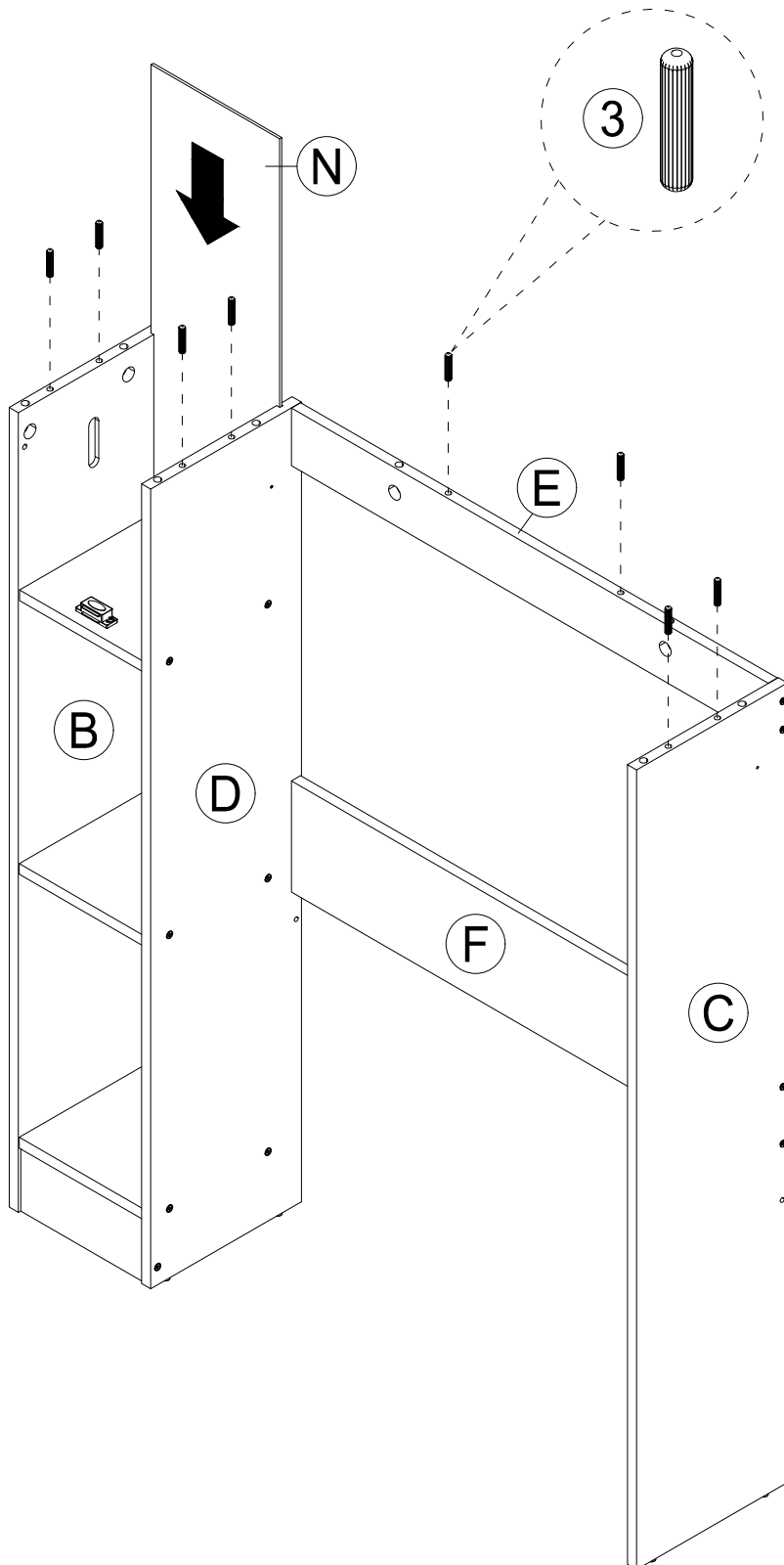
THIS STEP REQUIRES 2 PEOPLE



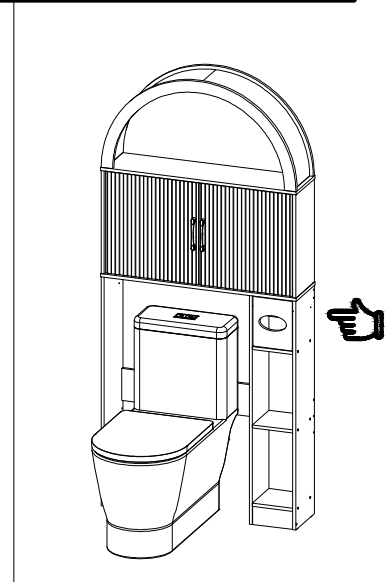
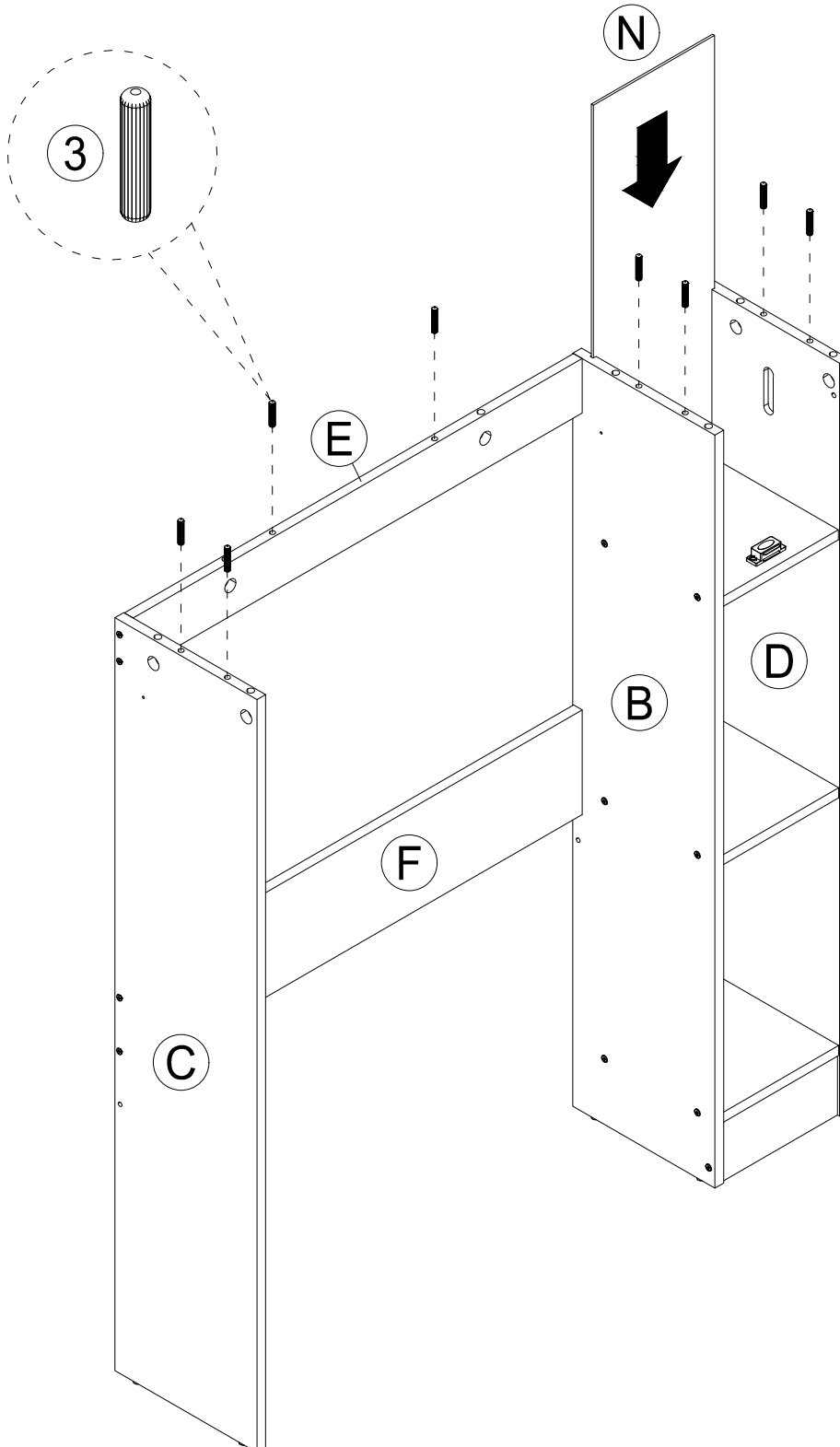
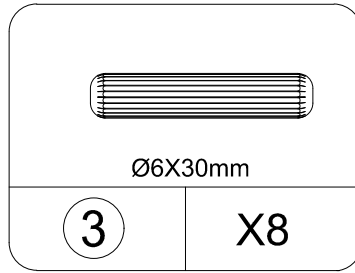
STEP15 (Scheme 1)



Scheme 1

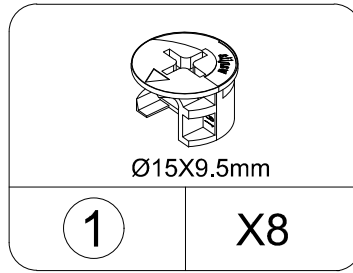
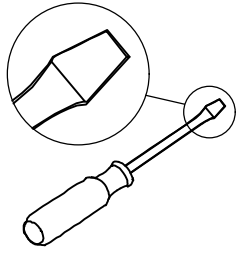


STEP15 (Scheme 2)

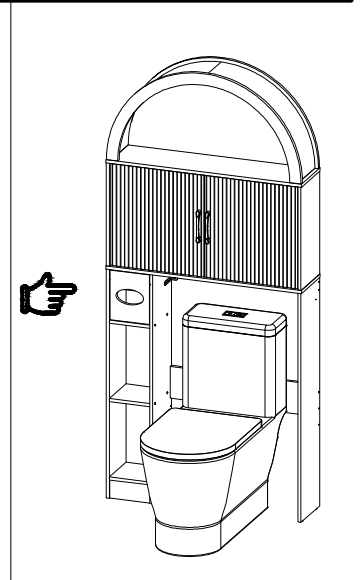


Scheme 2

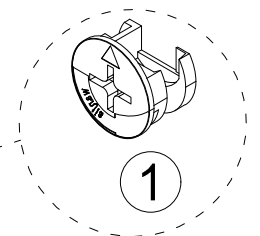
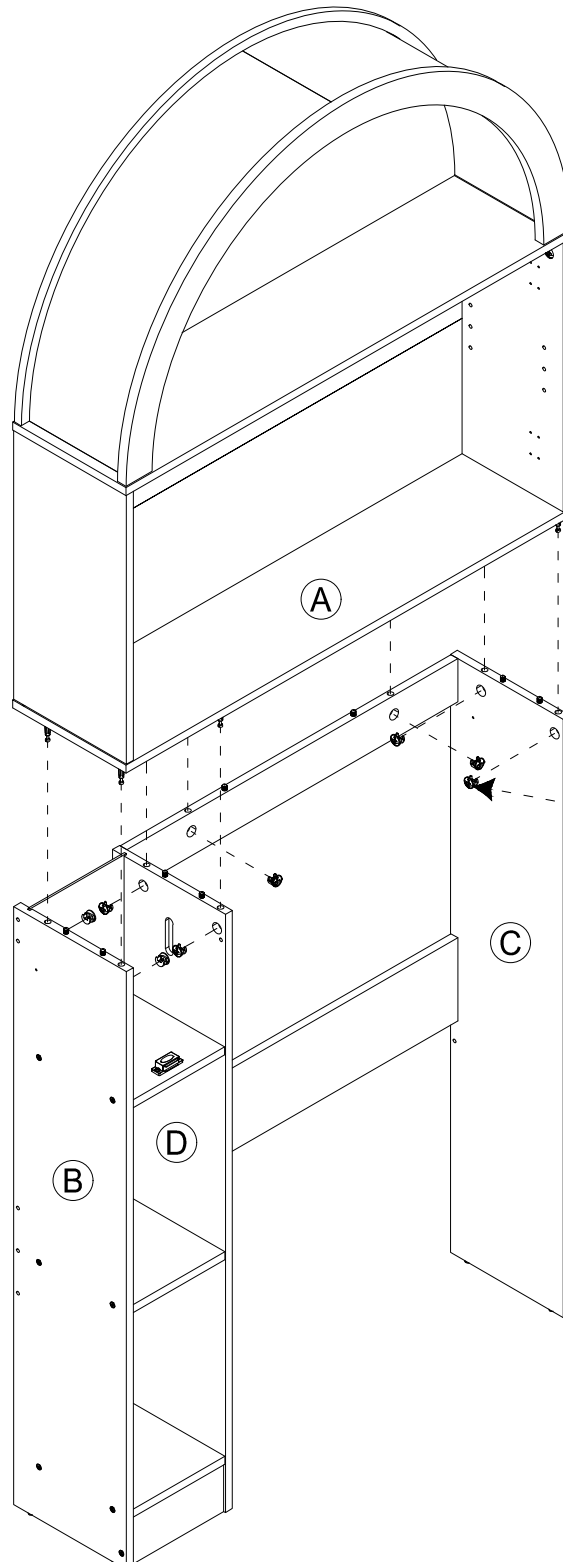
STEP16 (Scheme 1)



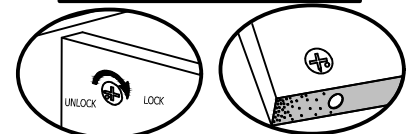
THIS STEP REQUIRES 2 PEOPLE



Scheme 1

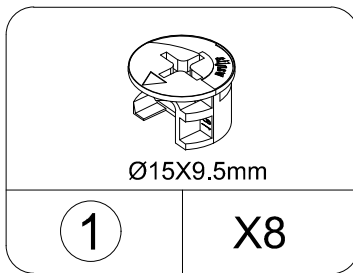
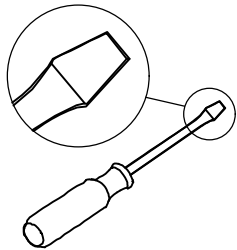


Insert the cam bolt into the hole first, then insert the cam lock and lock it.

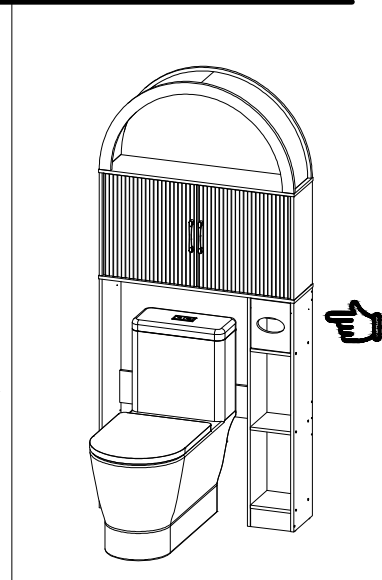


Proper orientation of CAM LOCK

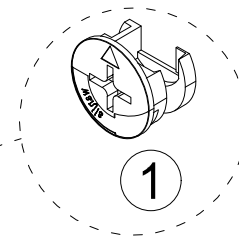
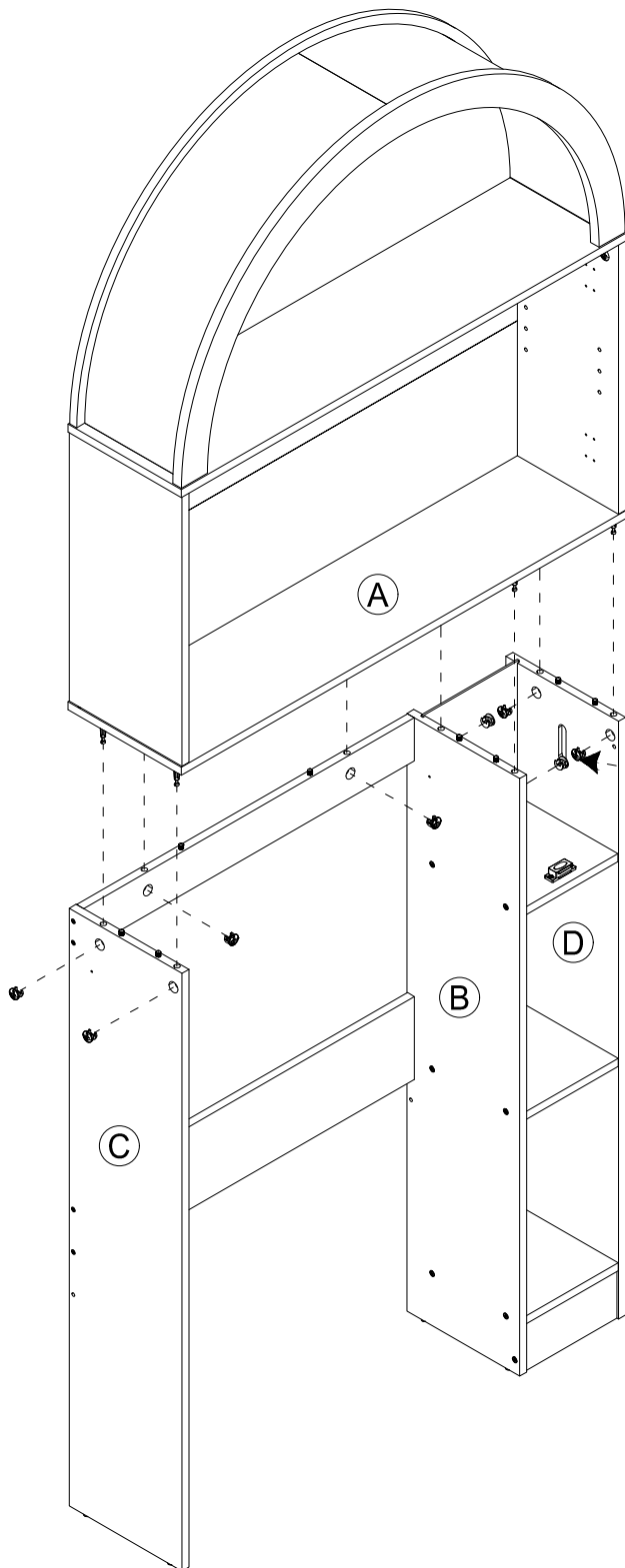
STEP16 (Scheme 2)



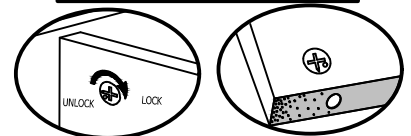
THIS STEP REQUIRES 2 PEOPLE



Scheme 2

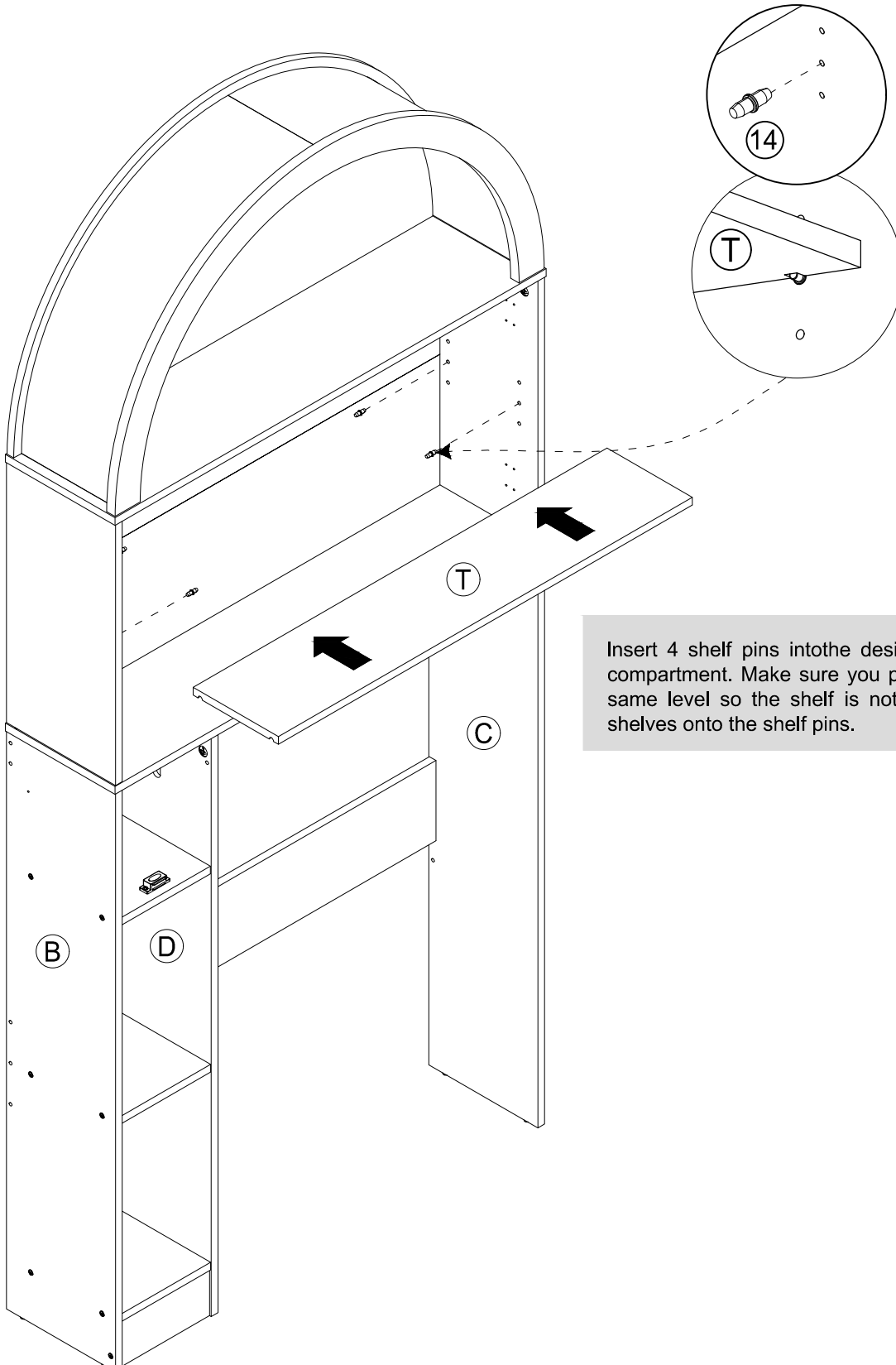
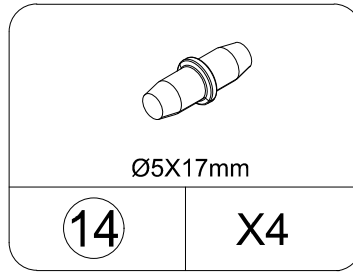


Insert the cam bolt into the hole first, then insert the cam lock and lock it.



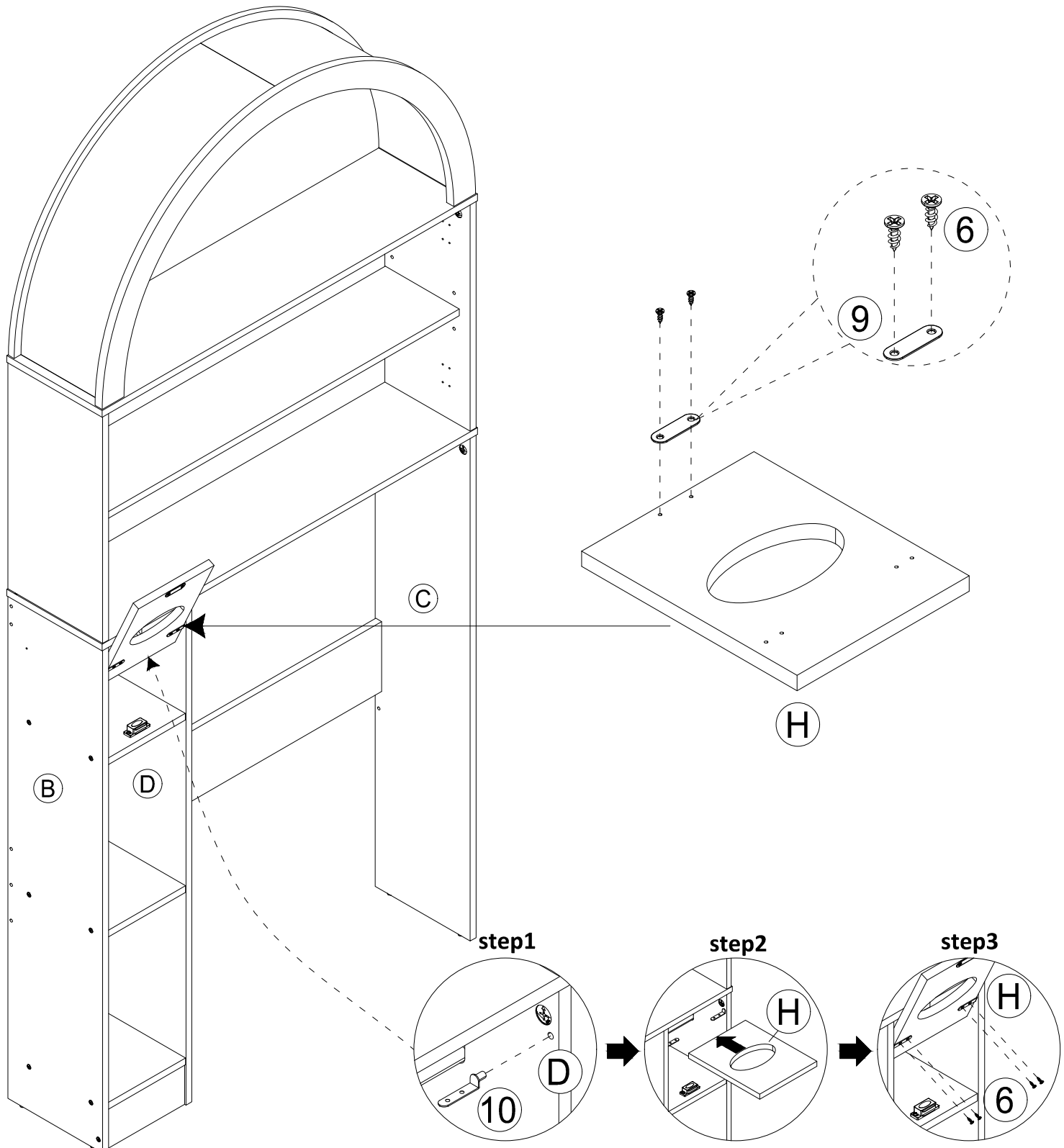
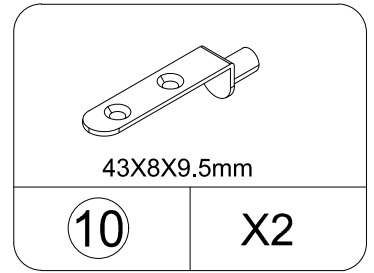
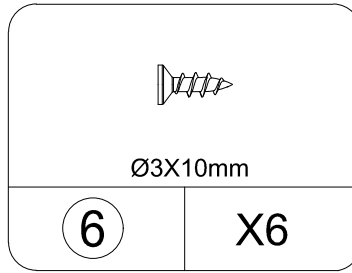
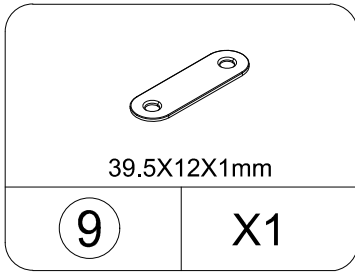
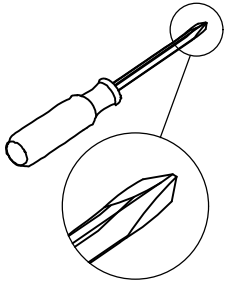
Proper orientation of CAM LOCK

STEP17

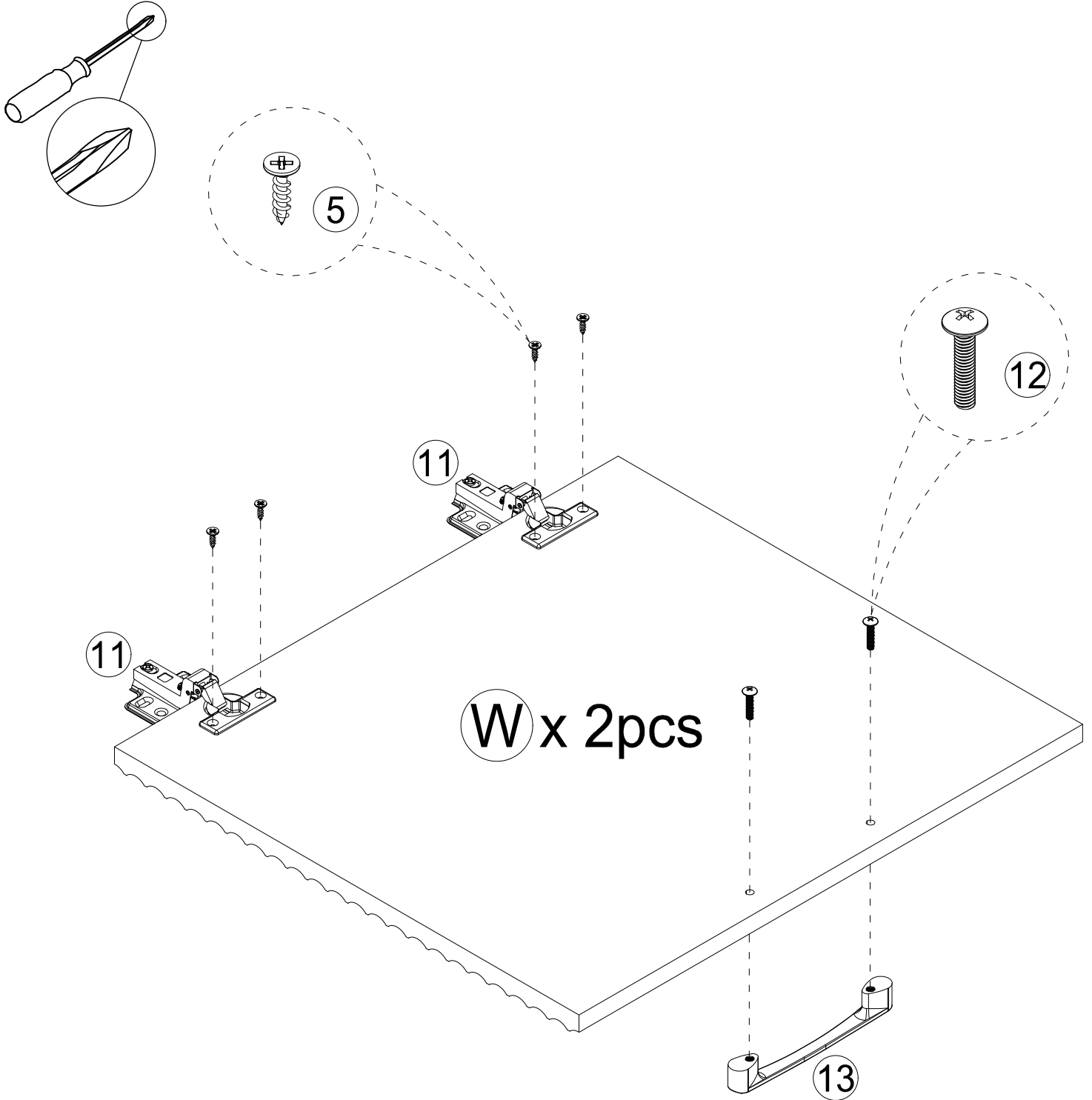
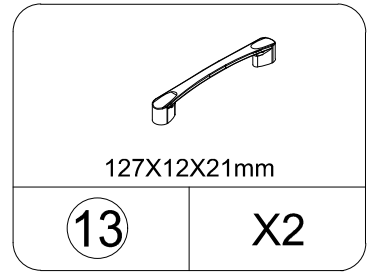
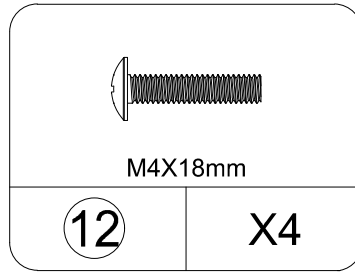
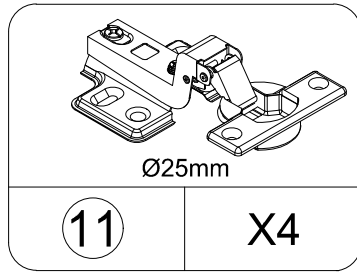
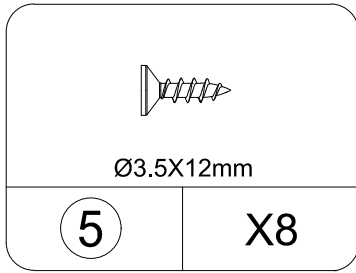


Insert 4 shelf pins into the desired holes inside each side compartment. Make sure you place the 4 shelf pins in the same level so the shelf is not tilted. Rest the adjustable shelves onto the shelf pins.

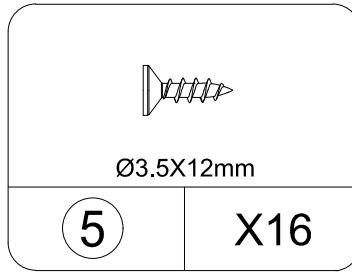
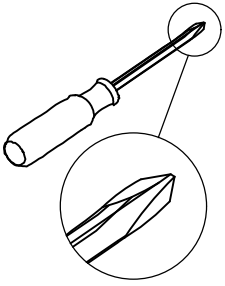
STEP18



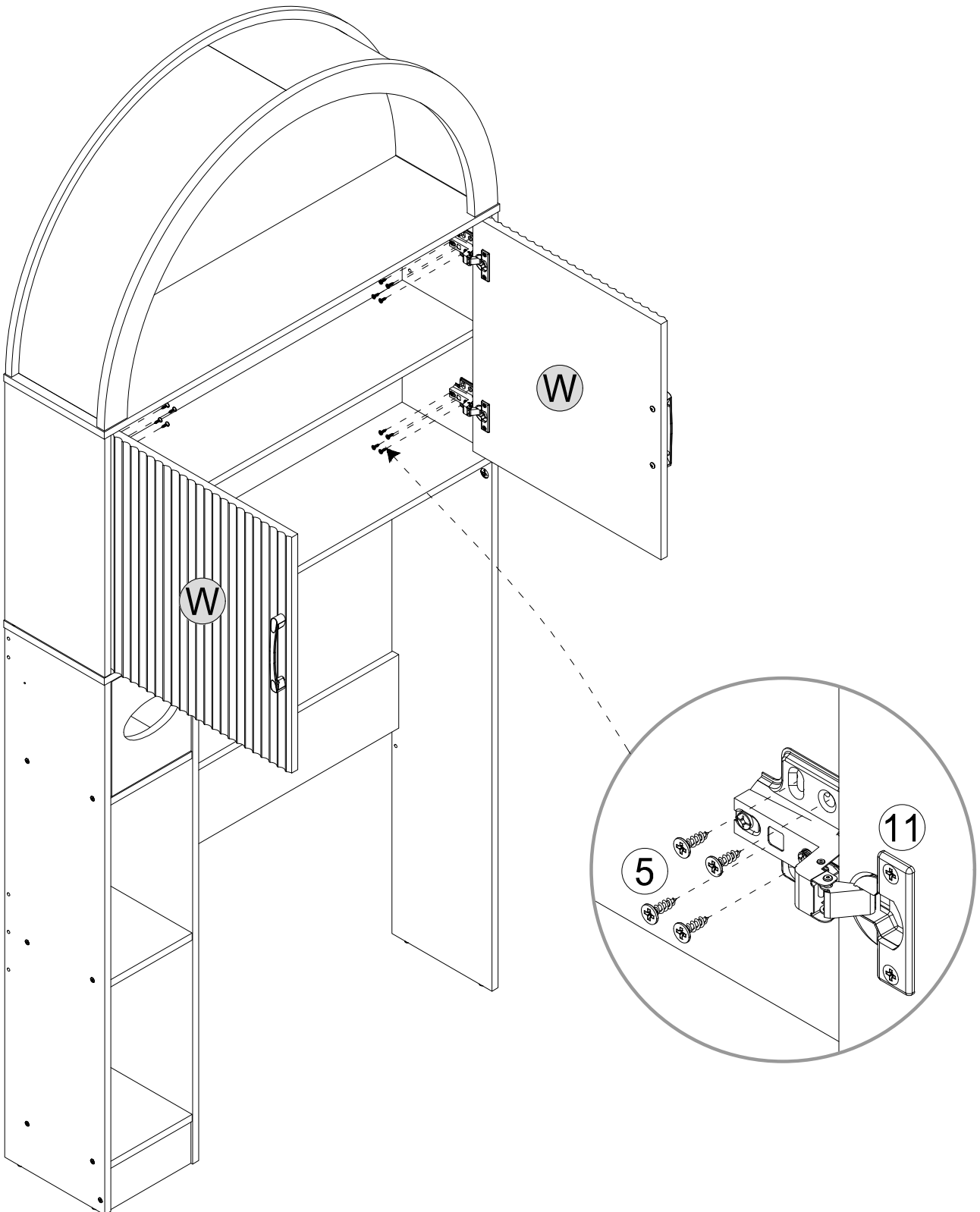
STEP19



STEP20

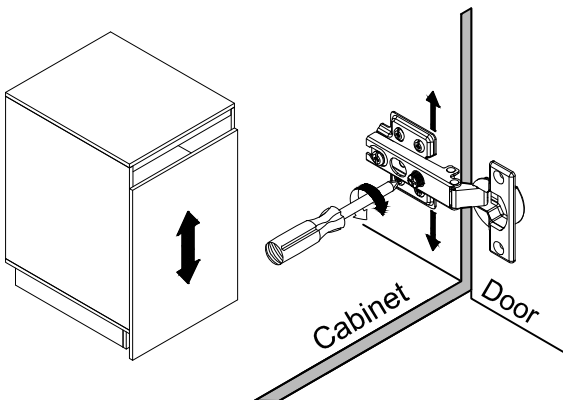
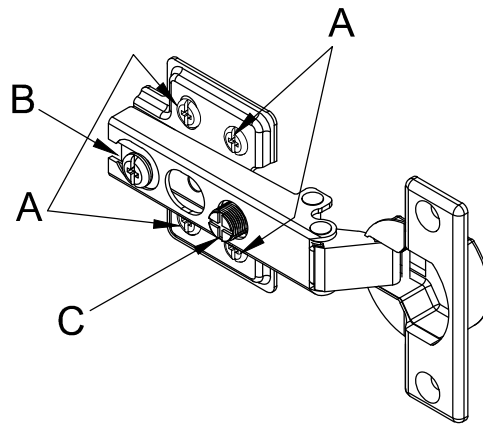


THIS STEP REQUIRES 2 PEOPLE



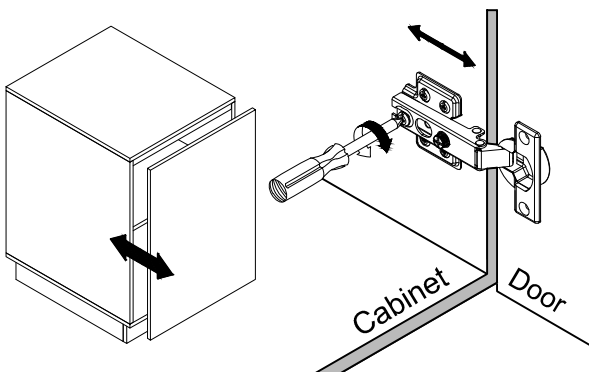
STEP21

SCHEMATIC DIAGRAM OF HINGE ADJUSTMENT DOOR PANEL GAP



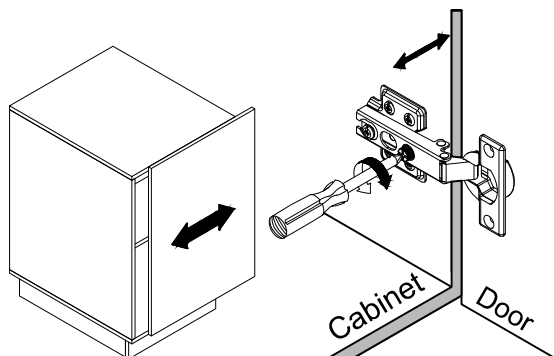
To adjust the vertical height.

Loosen the four screws "A" on both hinges. Two of them are usually in slotted holes which allows you to adjust up or down by a few mm. Then tighten back up.



To adjust depth.

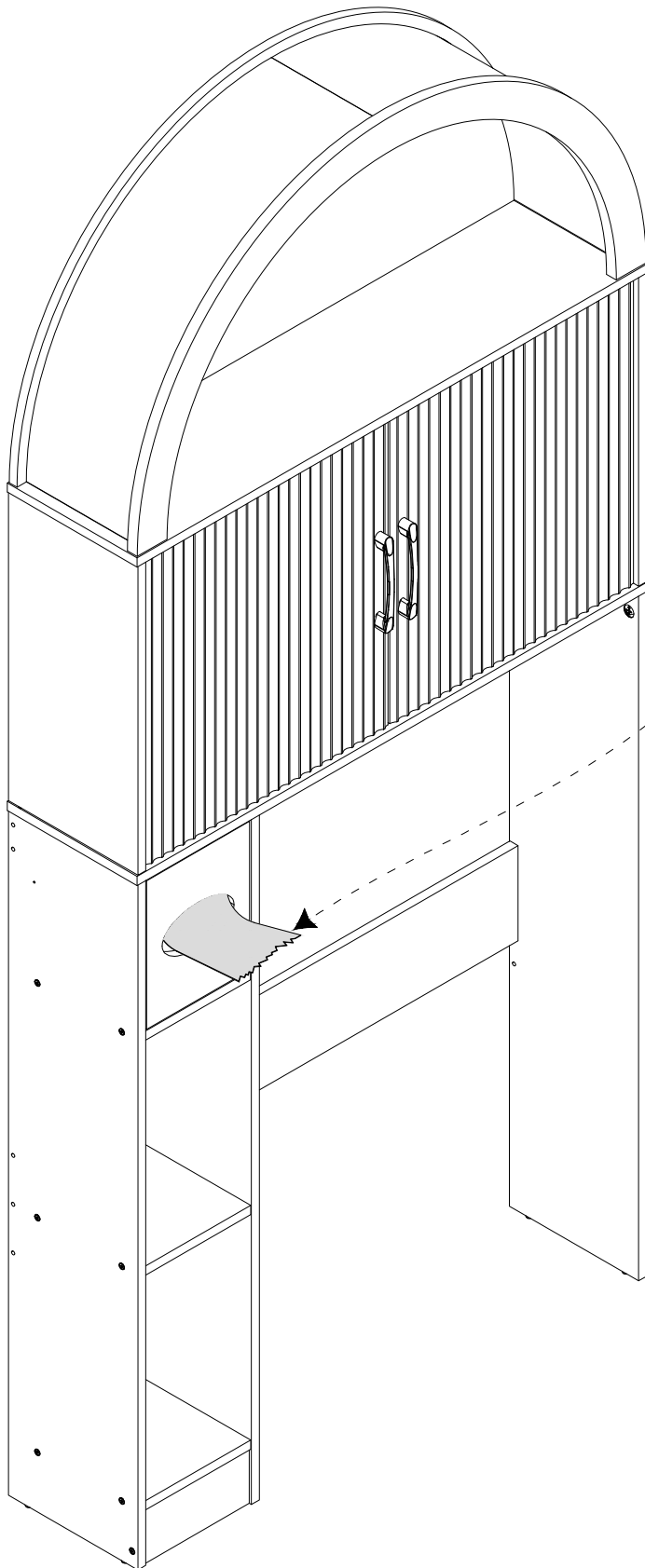
Loosen screw "B" and adjust door, if the door can not be adjusted, please loosen screw "C", then try again. Tighten screw "B" and "C".



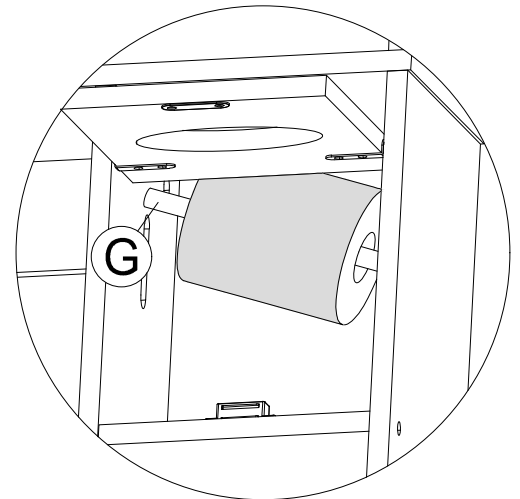
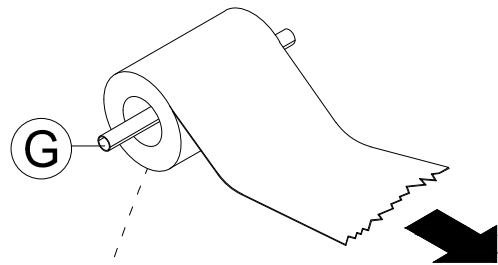
To adjust side ways.

Turning the screw "C" on BOTH hinges on each door.

STEP22

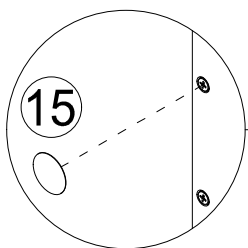
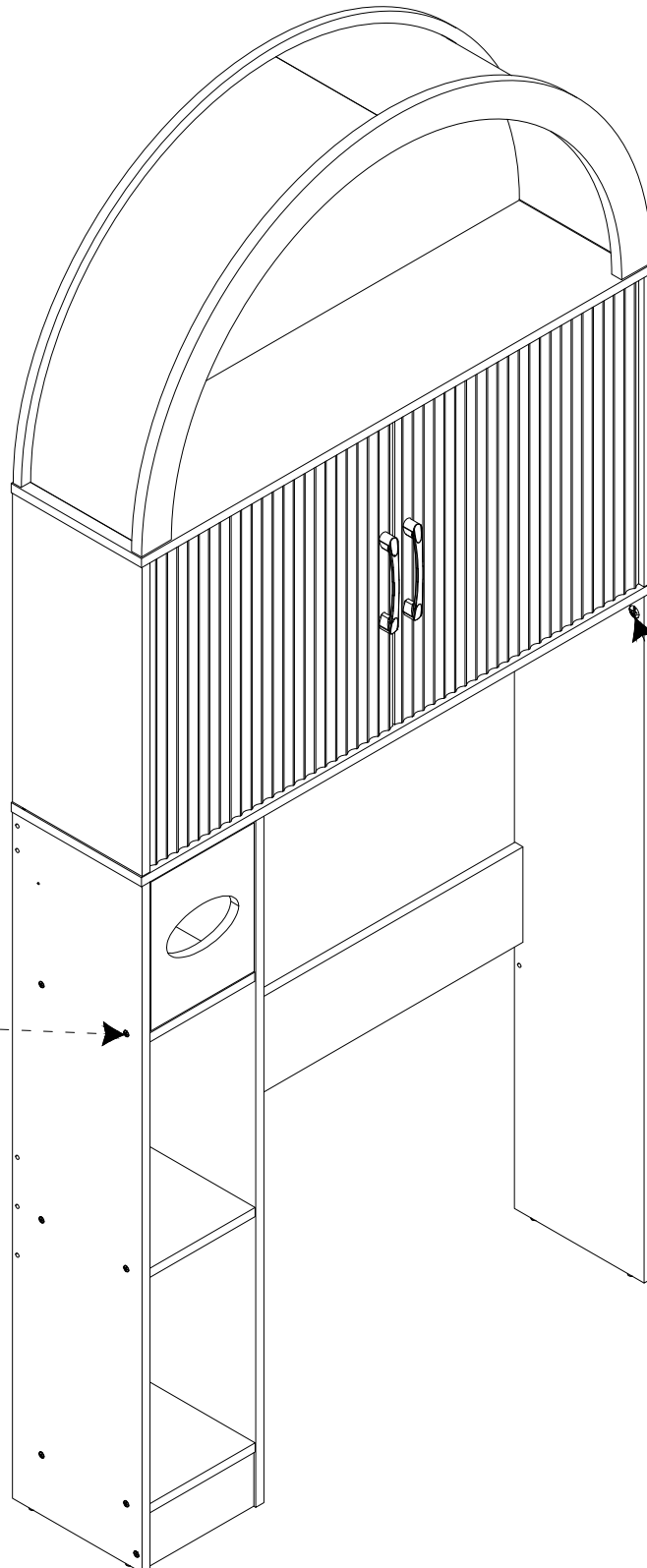
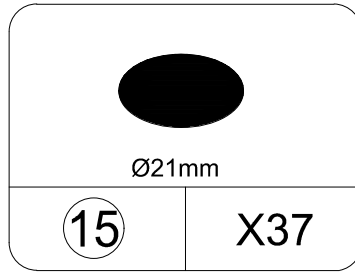


Toilet roll paper

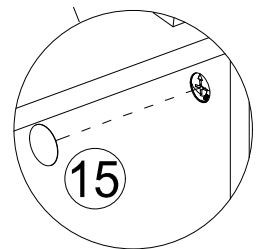


Inclined embedded
in the groove

STEP23

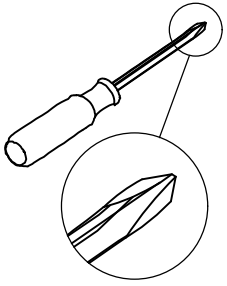


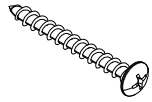

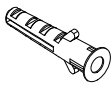
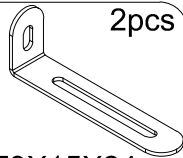
Stick the exposed holes of the cabinet body with hole stickers (15)



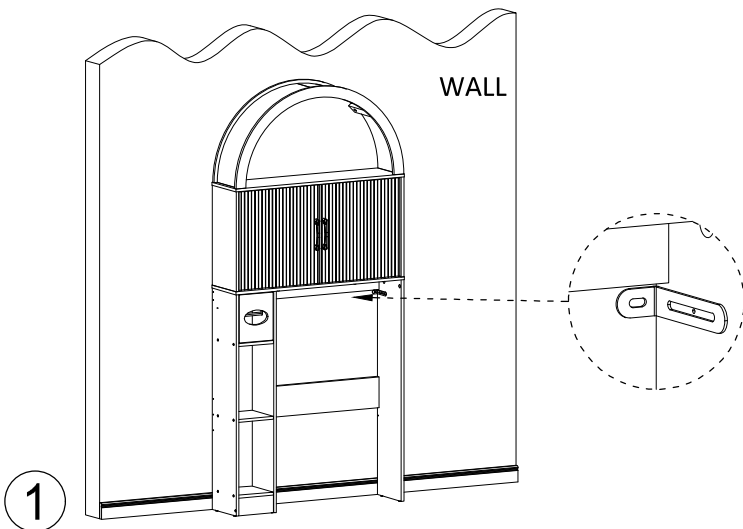
Stick the exposed holes of the cabinet body with hole stickers (15)

STEP24

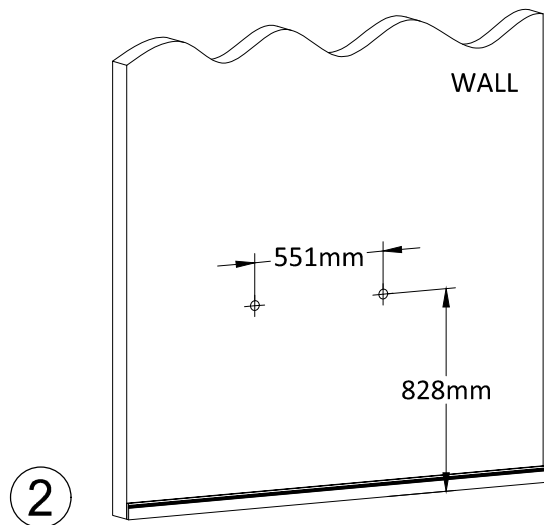


2pcs  Ø4X40mm	2pcs  Ø4X12mm	2pcs  Ø8X29mm	2pcs  73X15X24mm
17	X1 set		

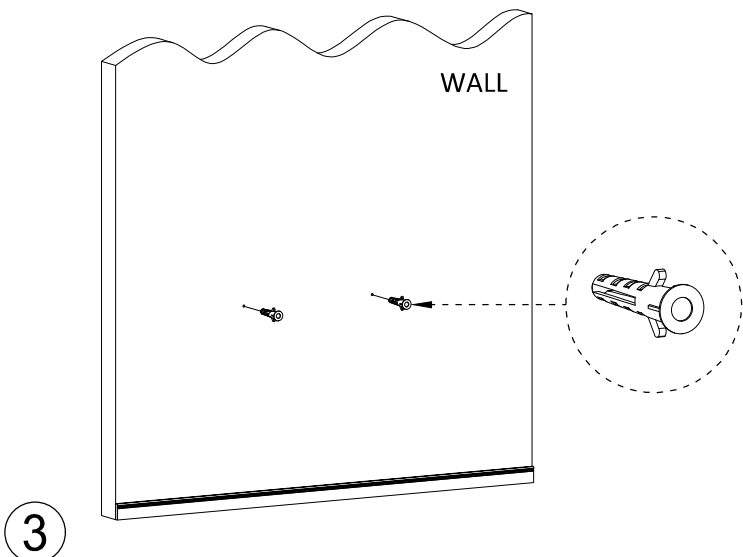
1. Put the cabinet against the wall and mark the hole locked against the wall with a marker.



2. Use an electric drill to drill 2 holes with a diameter of Ø 6 and a depth of 45mm at the marked location.



3. Place anchors (17) into the hole.



4. Push the shelf close to the wall, align it with the holes, and then tighten it with screws (17).

