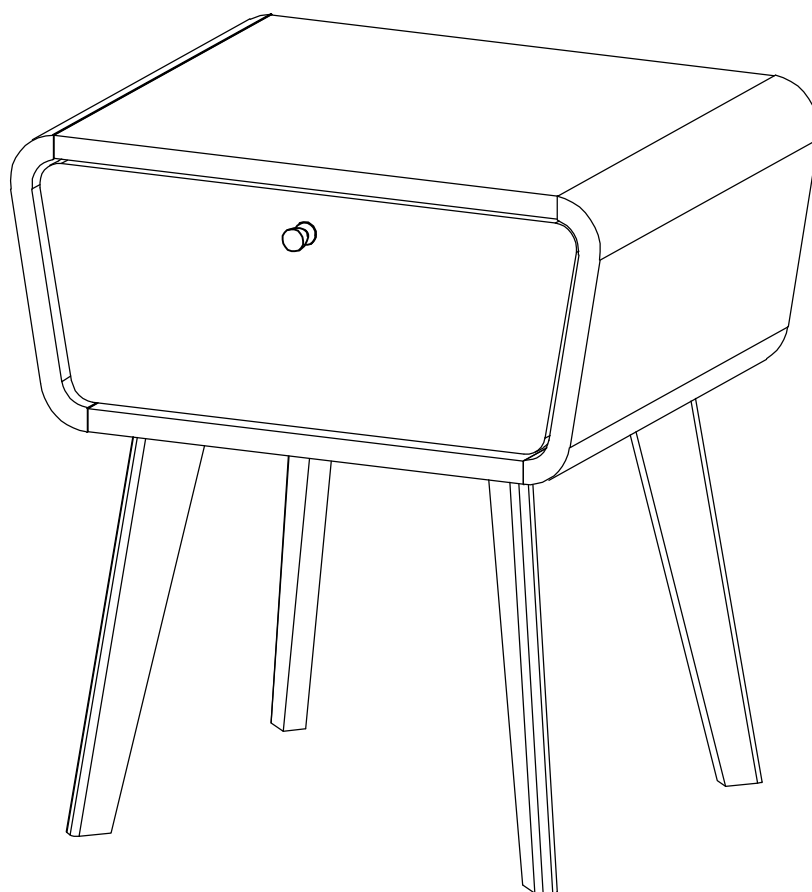


Assembly Instructions

SIDE TABLE



Keep these instructions for future reference

WARNING

Read instructions carefully. Check no parts are missing.

Assemble the furniture on a soft level surface to avoid damaging the furniture or your floor.

Carefully identify each component, especially those that are similar.

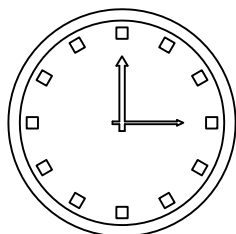
The most common mistake is getting things back to front.

Separate and identify each component from the hardware pack and rest each one in it's proper location before fastening.

We recommend furniture be assembled near where they will be placed, to avoid moving the product unnecessarily once assembled.

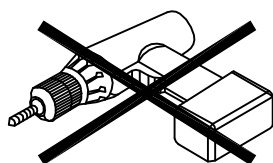
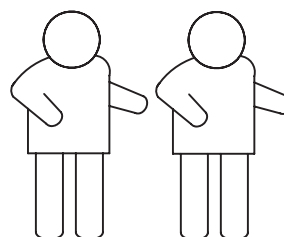
If there is a need to move the furniture, please remove all loose items and have extra hands to help lift the furniture to the desired location. Dragging the furniture will damage both the furniture and the floor.

Regularly check and re-tighten (if necessary) all bolts on furniture that you have assembled yourself.



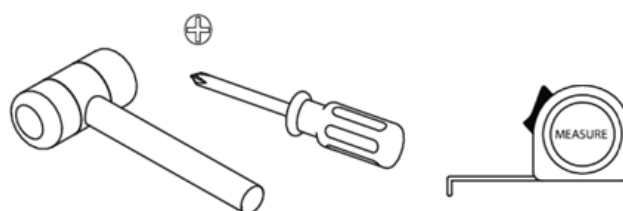
ALLOW 45 MIN

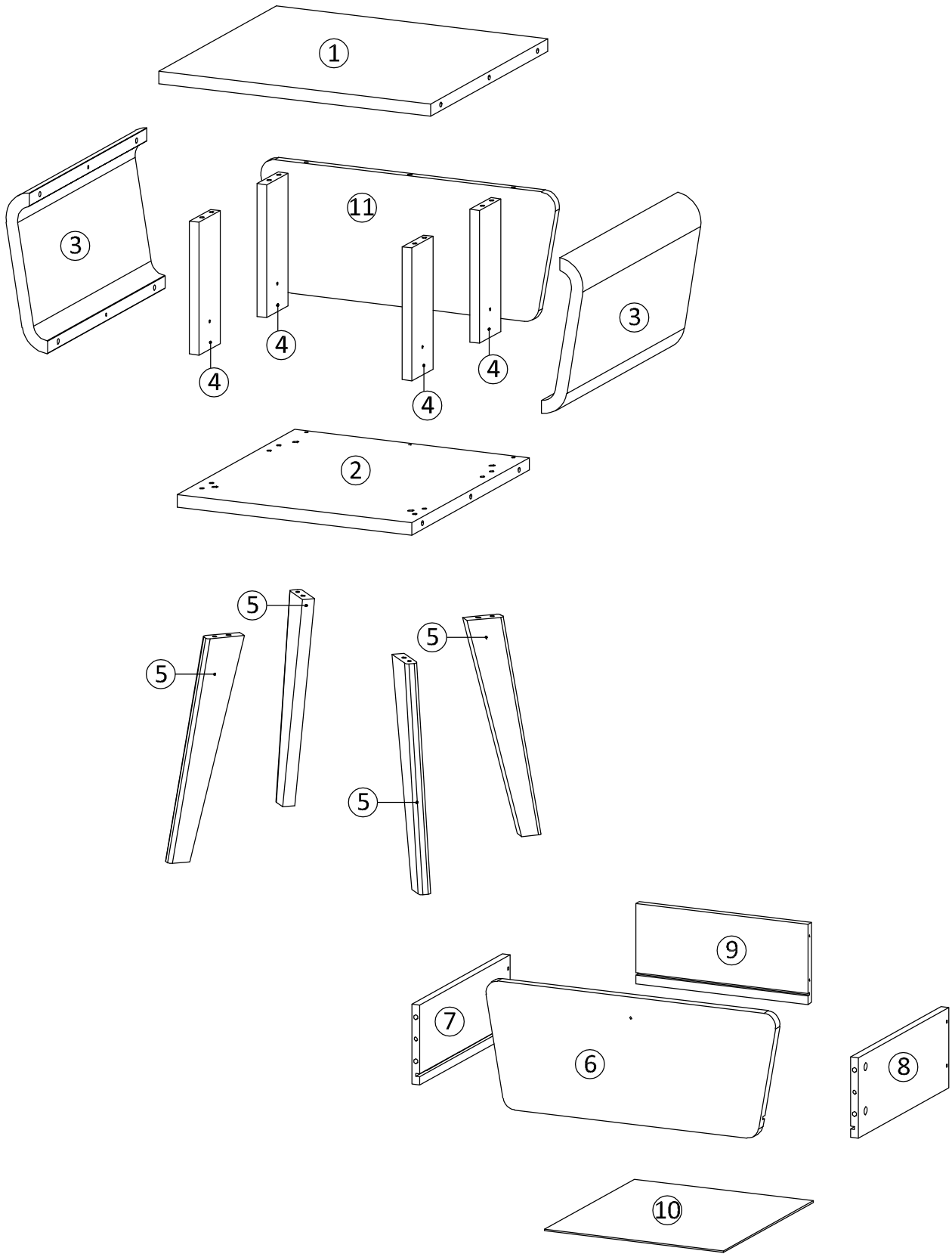
2 Persons Required



DO NOT USE ON PRODUCT








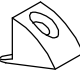

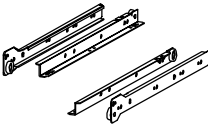



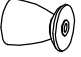
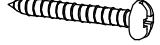

Tools Required



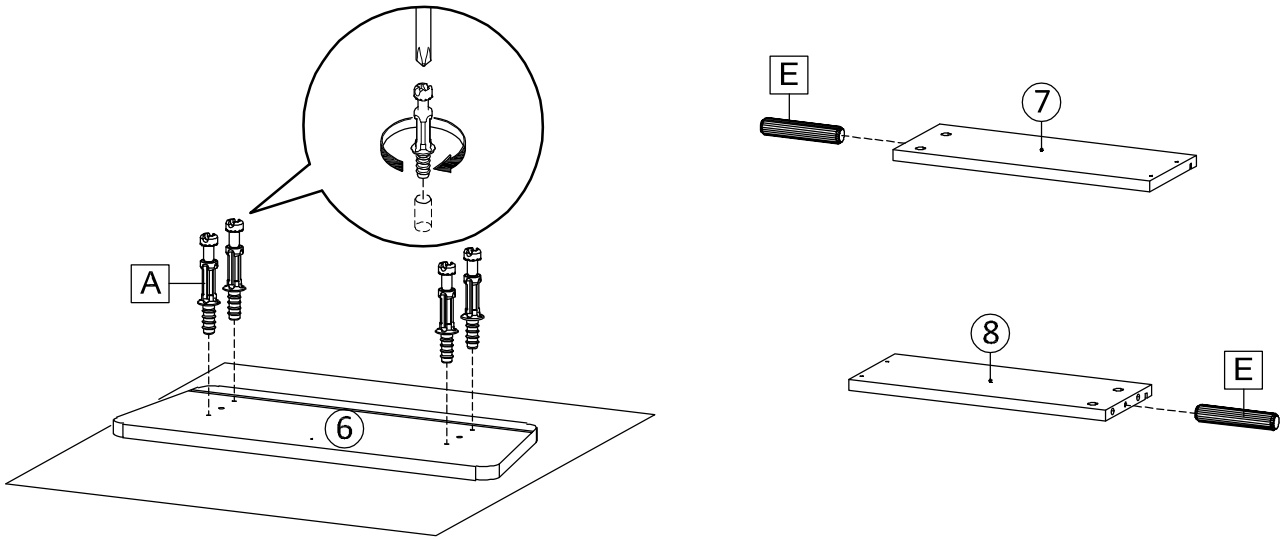


CHECKLIST

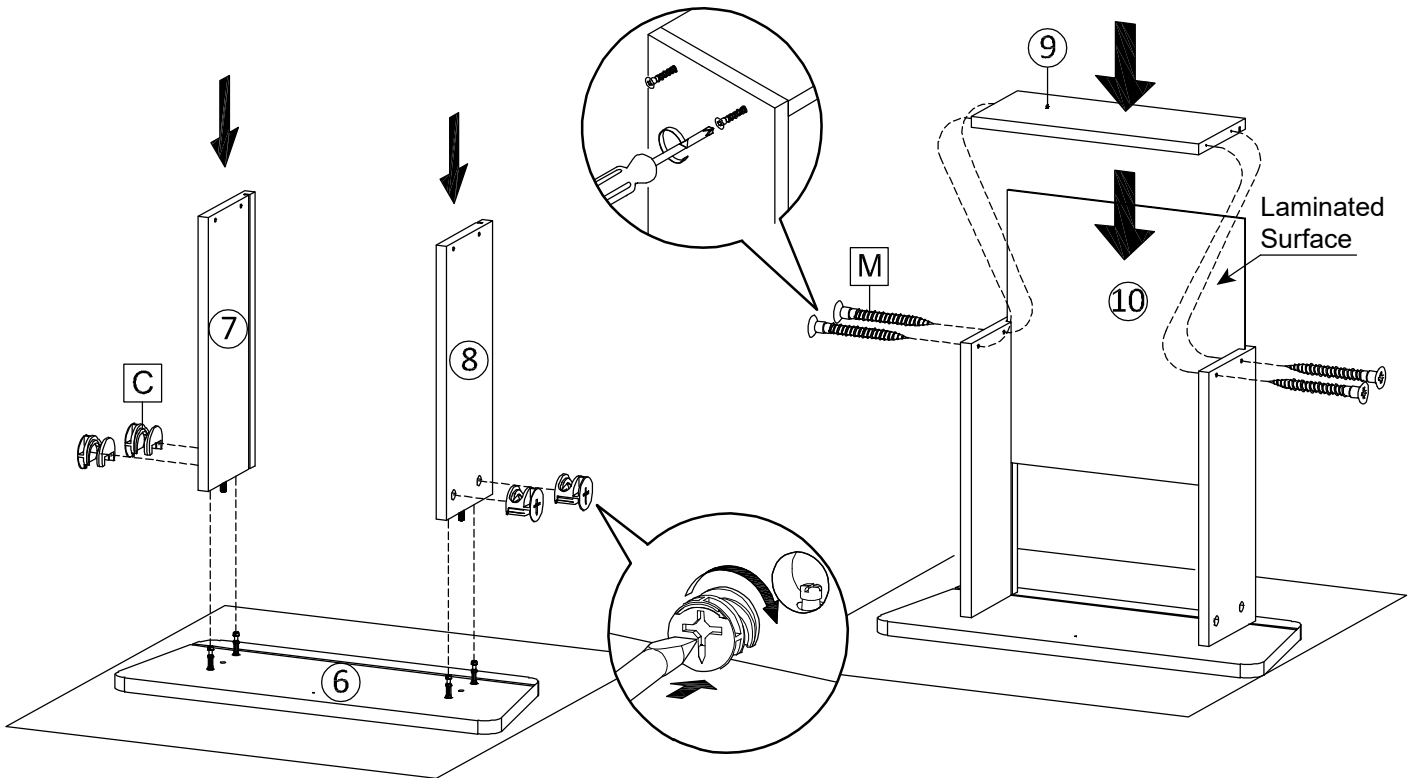
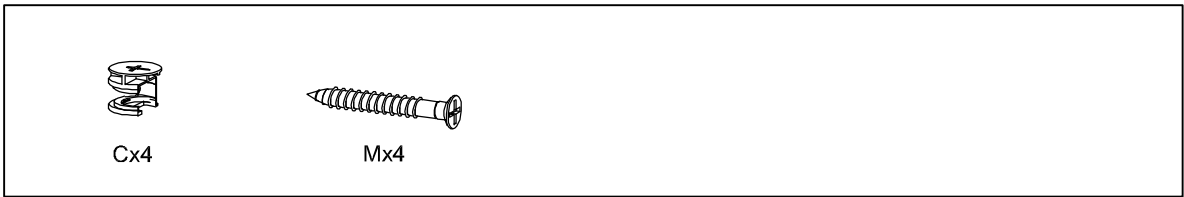


<p>A <input type="checkbox"/></p>  <p>Ø6x35mm Ax10</p>	<p>B <input type="checkbox"/></p>  <p>Ø15mm Bx4</p>	<p>C <input type="checkbox"/></p>  <p>Ø12mm Cx6</p>	<p>D <input type="checkbox"/></p>  <p>Ø8x32mm Dx28</p>	<p>E <input type="checkbox"/></p>  <p>Ø6x30mm Ex6</p>
<p>F <input type="checkbox"/></p>  <p>M7x50mm Fx4</p>	<p>G <input type="checkbox"/></p>  <p>L 4 Gx1</p>	<p>H <input type="checkbox"/></p>  <p>Hx4</p>	<p>I <input type="checkbox"/></p>  <p>M3.5x15.5mm Ix4</p>	<p>J <input type="checkbox"/></p>  <p>300mm Jx1</p>
<p>K <input type="checkbox"/></p>  <p>M6x10.5mm Kx4</p>	<p>L <input type="checkbox"/></p>  <p>M3.5x13mm Lx6</p>	<p>M <input type="checkbox"/></p>  <p>M8x39mm Mx4</p>	<p>N <input type="checkbox"/></p>  <p>Nx1</p>	<p>O <input type="checkbox"/></p>  <p>M3.5x25mm Ox1</p>
<p>P <input type="checkbox"/></p>  <p>15x25x2mm Px4</p>				

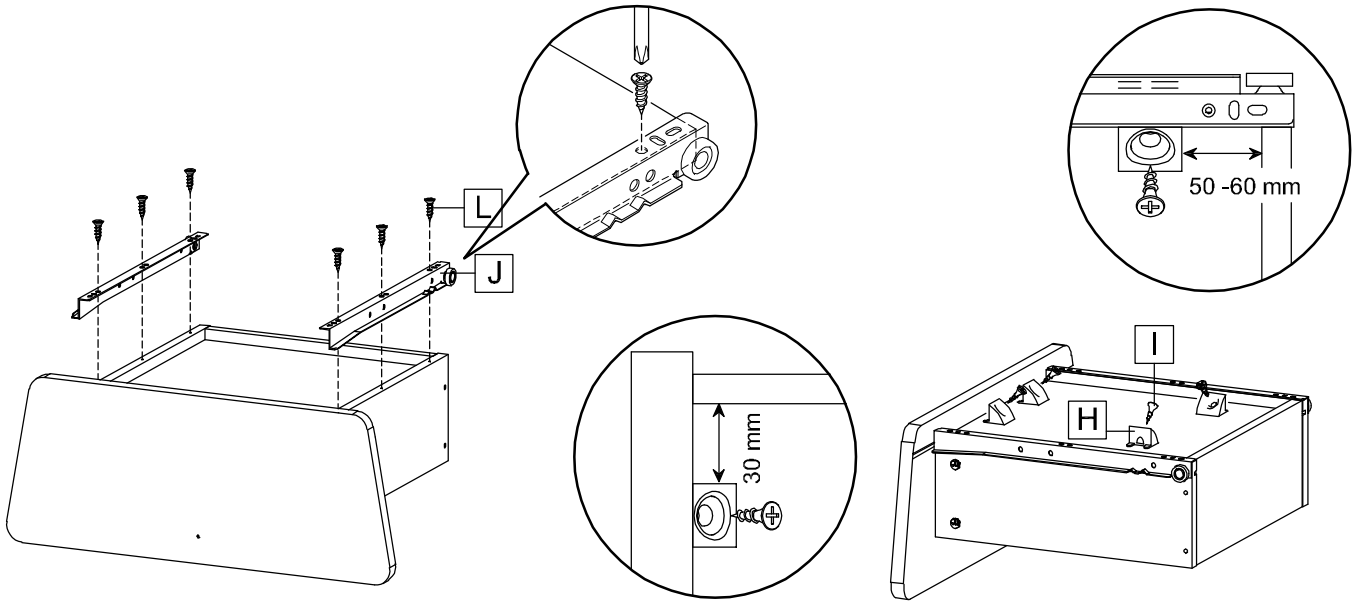
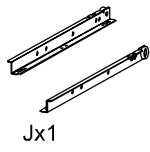
1



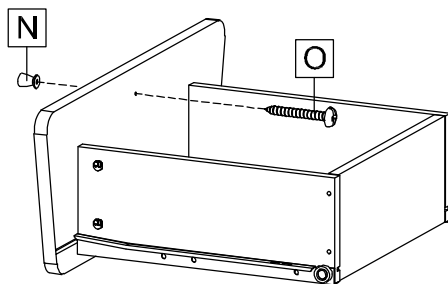
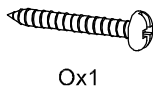
2



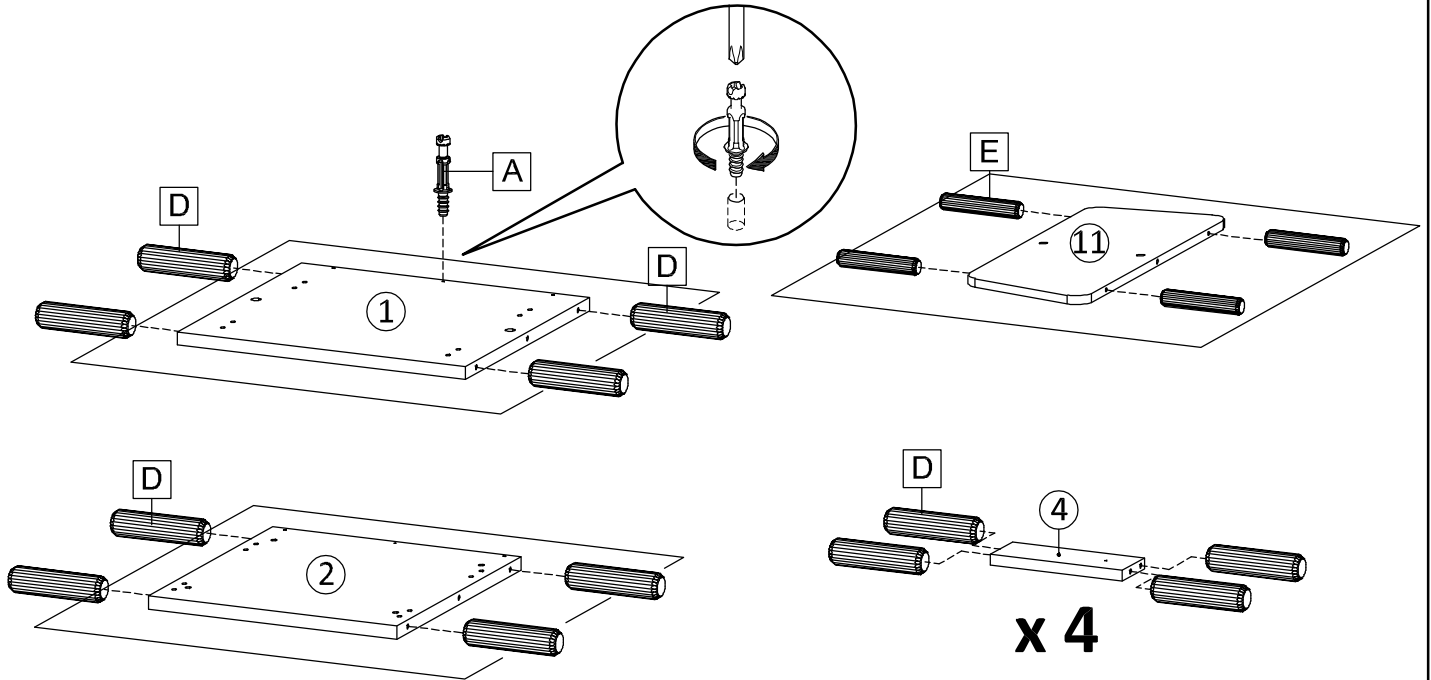
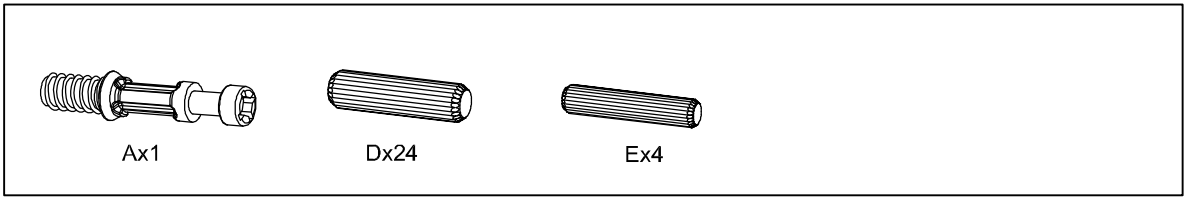
3



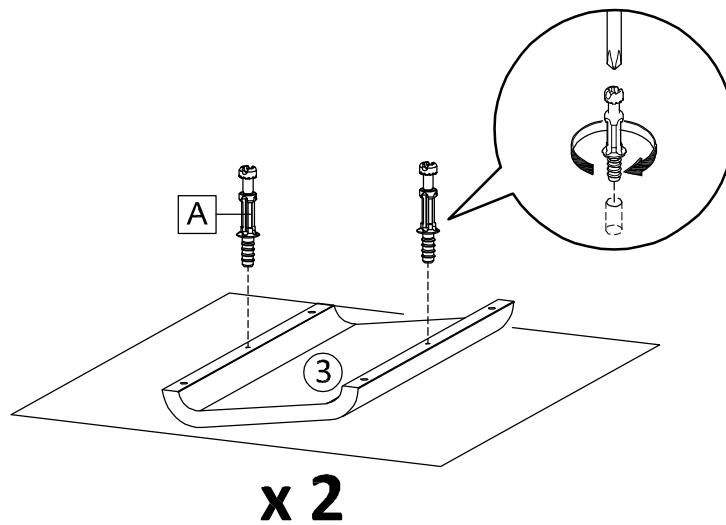
4



5



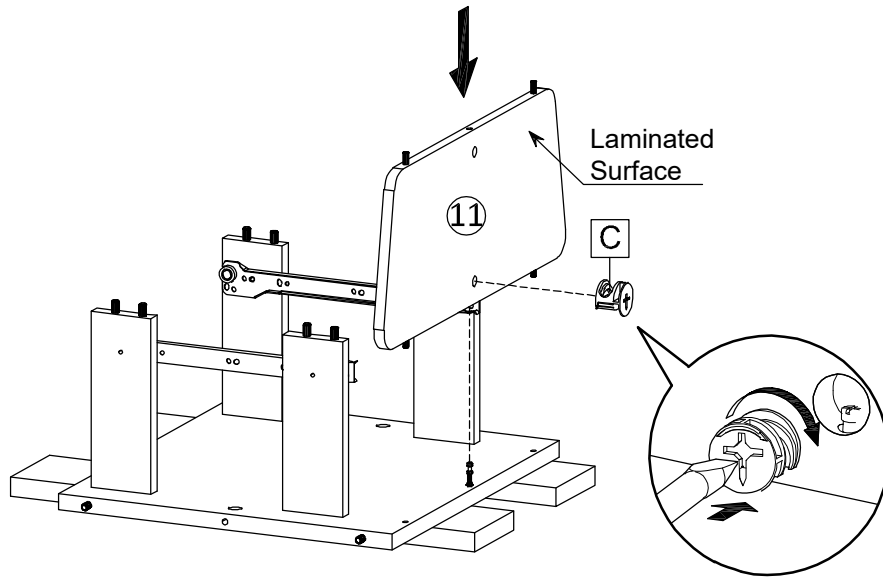
6



9



Cx1



10



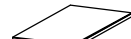
Dx4



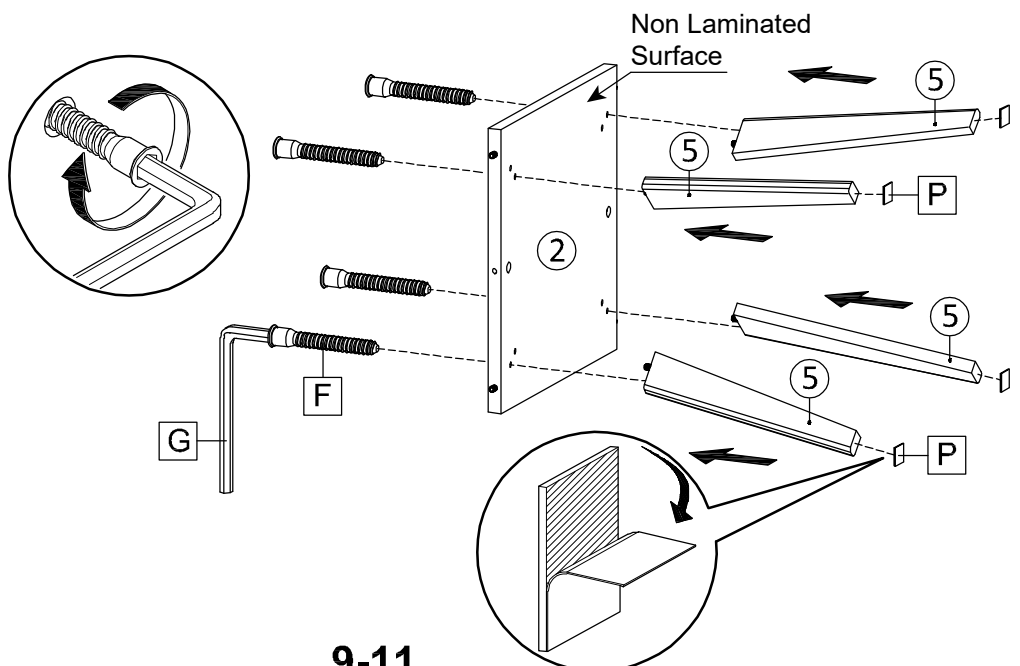
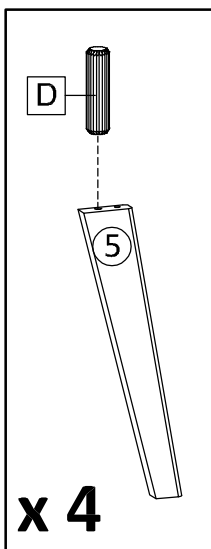
Fx4



Gx1

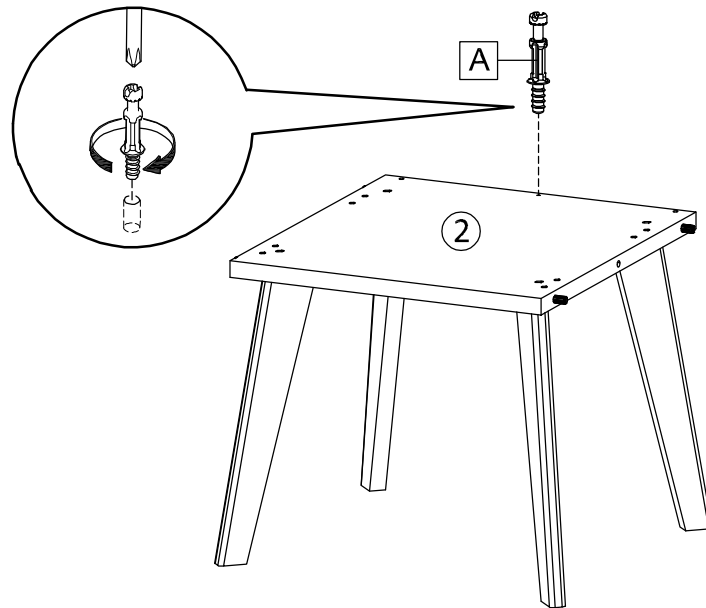


Px4

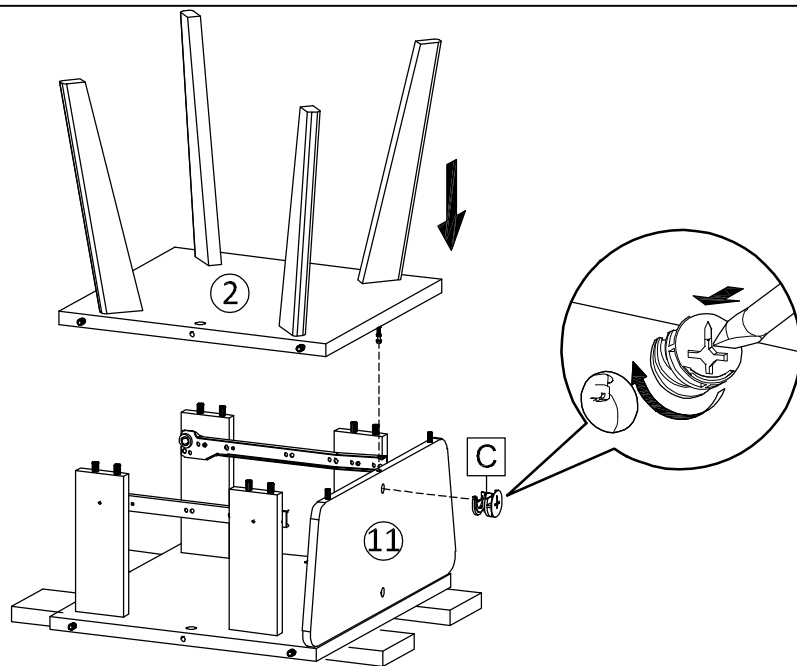


9-11

11



12

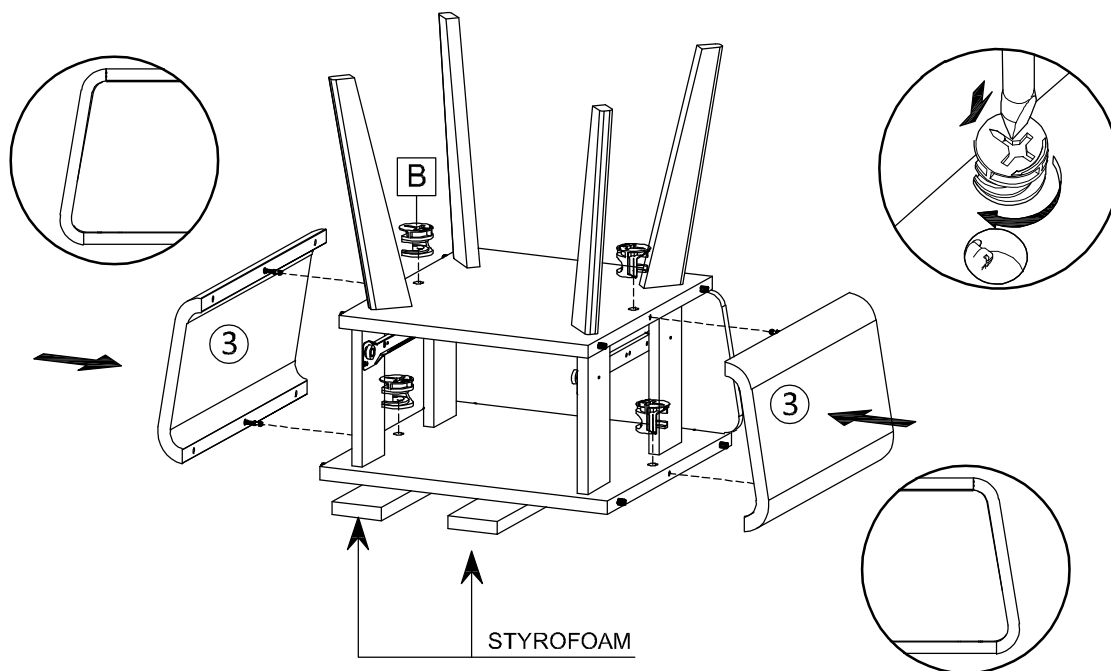


10-11

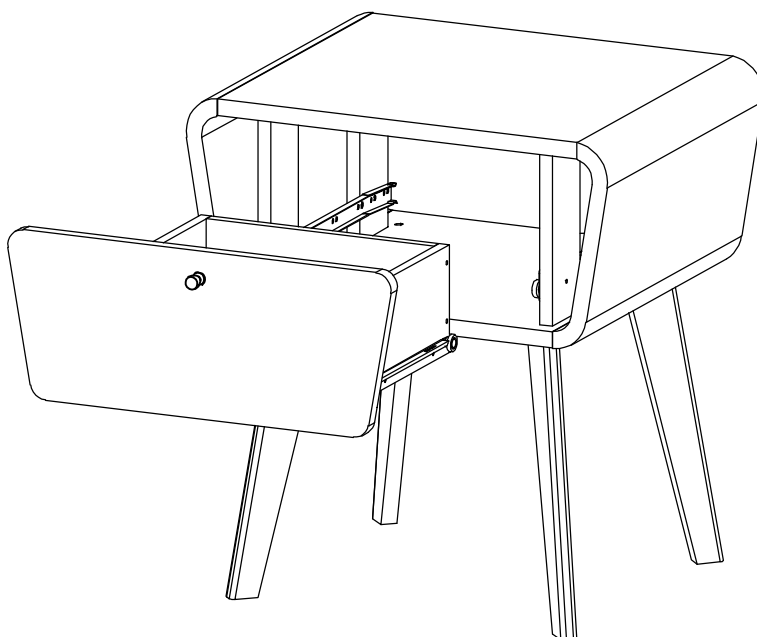
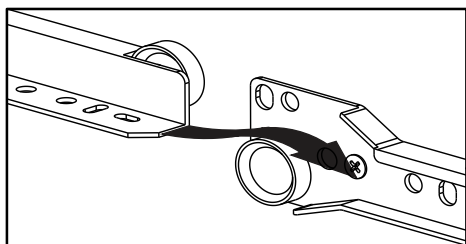
13



Bx4



14



11-11