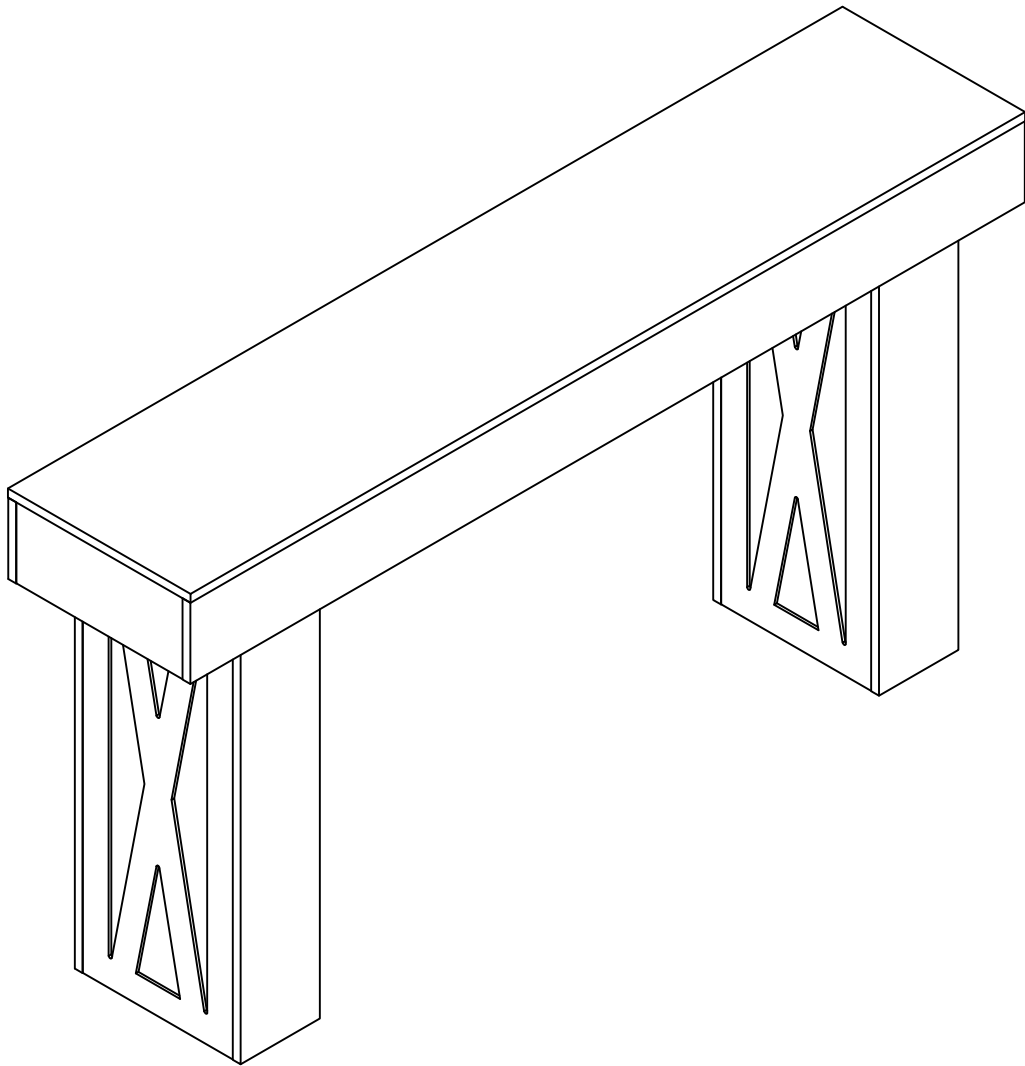


Tribesigns

DESIGNED FOR LIFE

Assembly Instructions



Console Table

Model No.
HOGA-JW0966

 **LITTLE TREE**
Little Tree by Tribesigns

www.tribesign.com

Contact Us

We're here to help you.




Your satisfaction is our top priority. If you encounter any issues with this product, such as missing or damaged parts, we're here to help. Please retain the original packaging and take photos of the packaging and the product, then contact us as soon as possible.

Warm Tips


1. Carefully read these instructions and keep them for future reference.
2. Check the parts list and confirm everything's there before starting assembly.
3. When assembling, put all parts on a soft, smooth surface like a carpet to avoid scratches.
4. Don't fully tighten screws until all parts are confirmed in place to avoid misalignment.

How to Get the Assembly Video

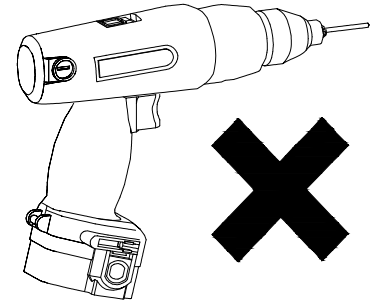
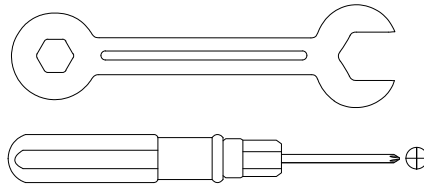
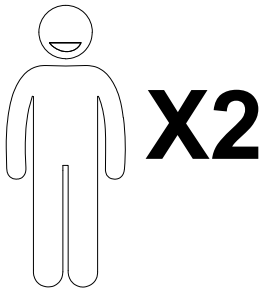
Step 1 Scan the QR code.



Step 2 Search with the Model No.
(on the bottom left corner of the title page)

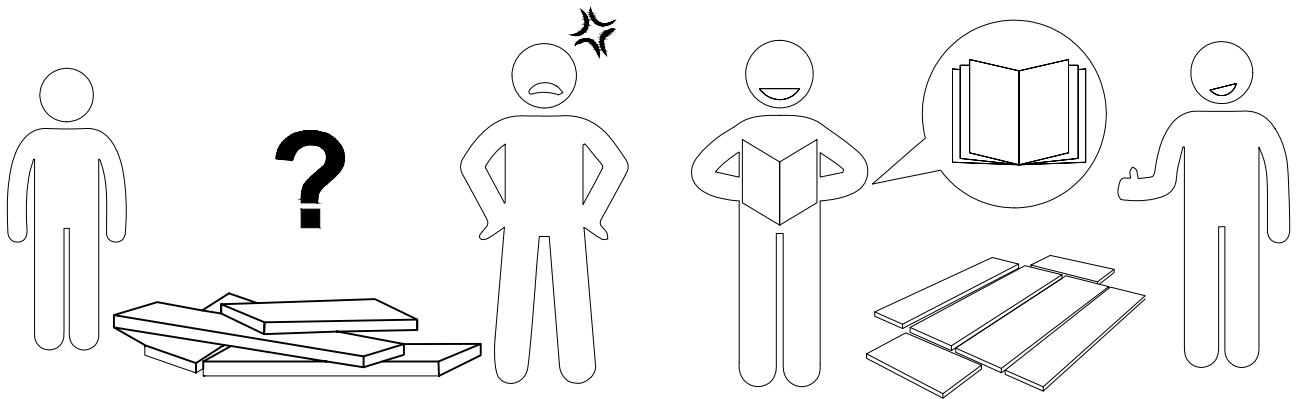


Q HOGA-JW0966



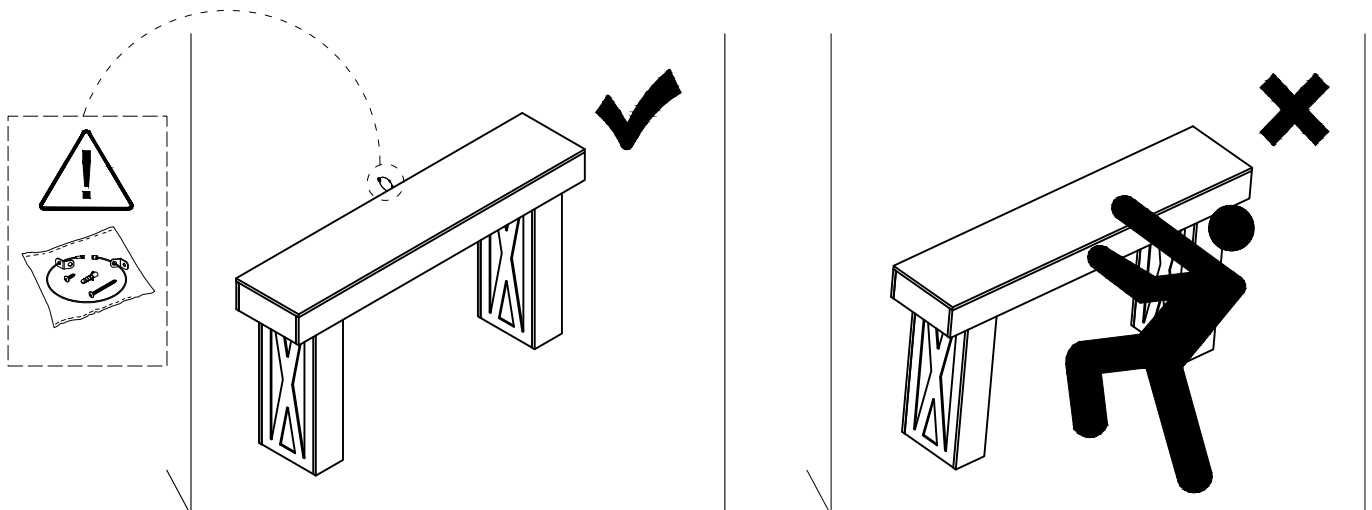
We recommend using hand tools for assembly.

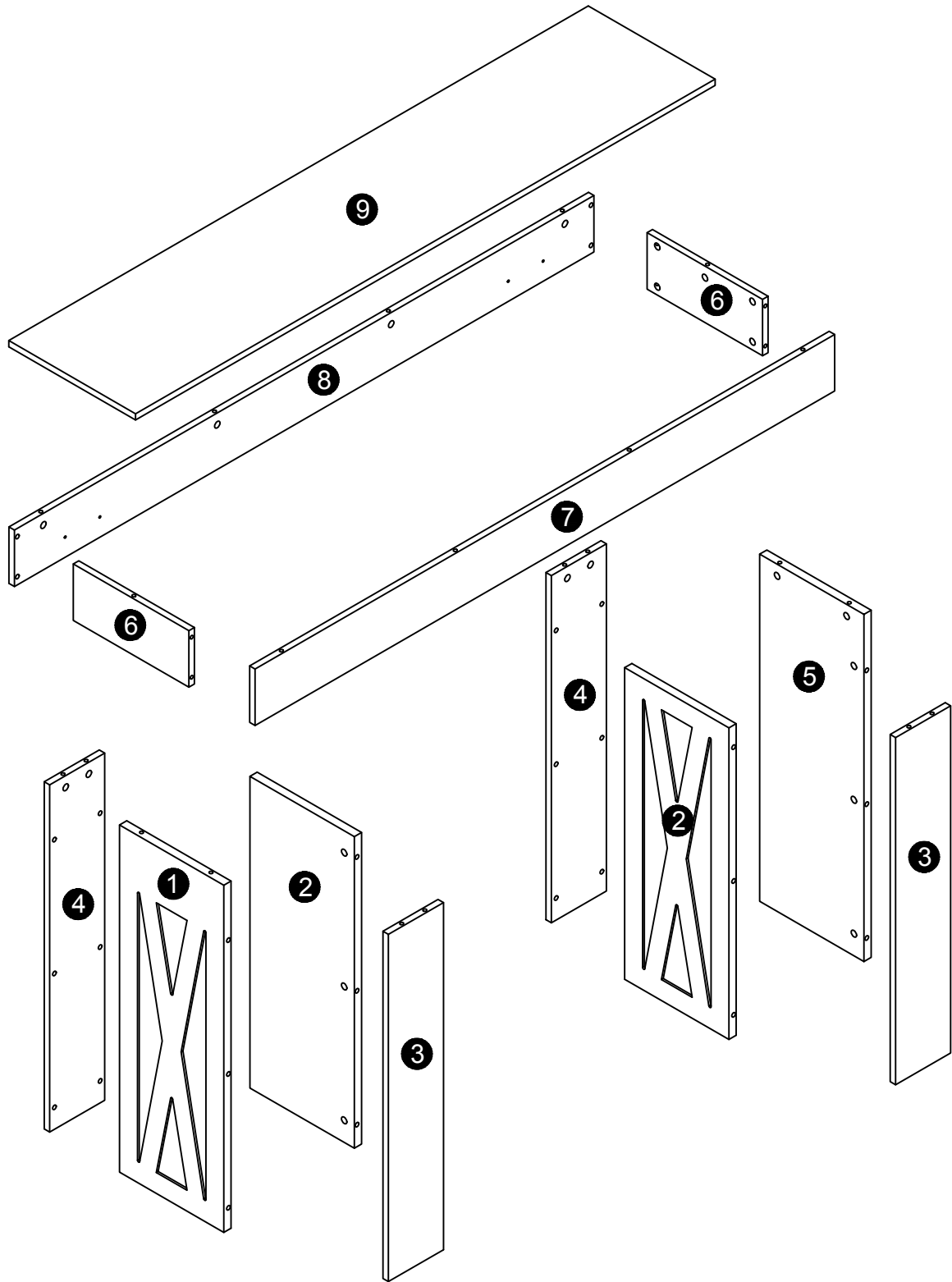
If an electric screwdriver is used, reduce power and torque to avoid damage to the product.



Install the Anti-Tip Straps

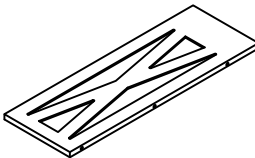
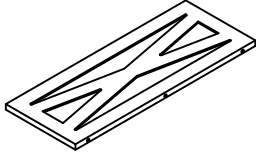
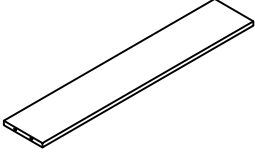
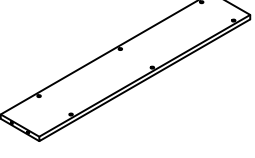
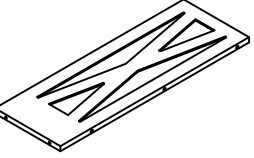
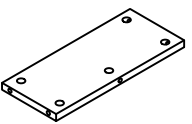
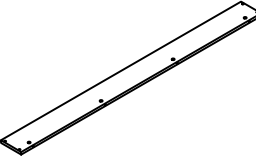
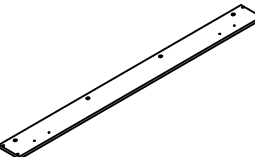
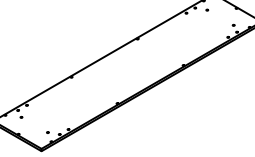
Using the anti-tip straps can reduce the risk of tipping over, but can not eliminate it.



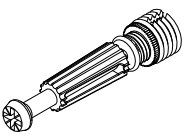
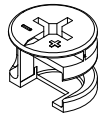
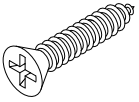

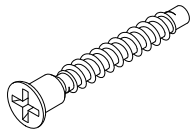
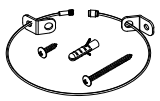
**⚠ Caution**


Make sure all parts are included. Most board parts are labeled or stamped on the raw edge. Contact us for a free replacement if you encounter any damaged or missing parts.

Parts List

<p>1</p>  <p>1 pc</p>	<p>2</p>  <p>2 pcs</p>	<p>3</p>  <p>2 pcs</p>	<p>4</p>  <p>2 pcs</p>	<p>5</p>  <p>1 pc</p>
<p>6</p>  <p>2 pcs</p>	<p>7</p>  <p>1 pc</p>	<p>8</p>  <p>1 pc</p>	<p>9</p>  <p>1 pc</p>	

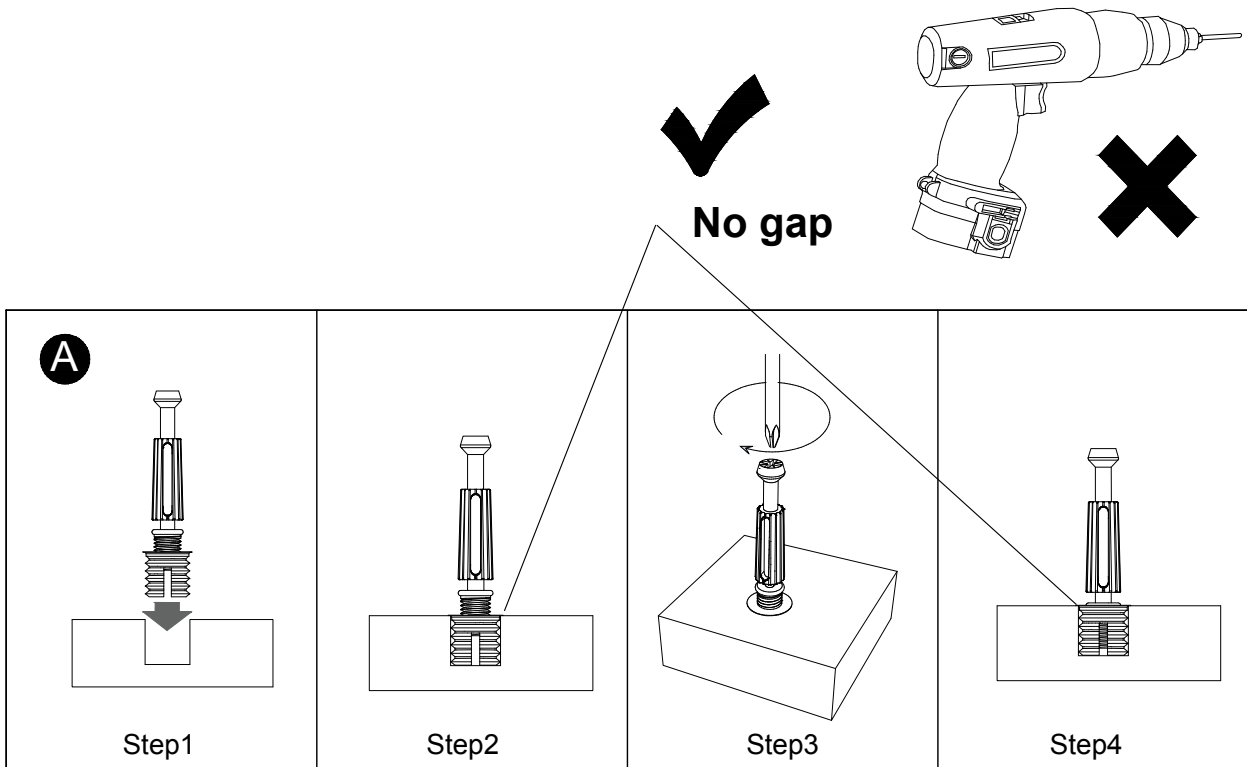
Hardware List

A	B	C	D	E	F
 <p>M6x35mm</p>	 <p>Ø15x12mm</p>	 <p>Ø3.5x30mm</p>		 <p>Ø7x38mm</p>	
<p>42pcs</p>	<p>42 pcs</p>	<p>4 pcs</p>	<p>8pcs</p>	<p>12 pcs</p>	<p>1 pc</p>

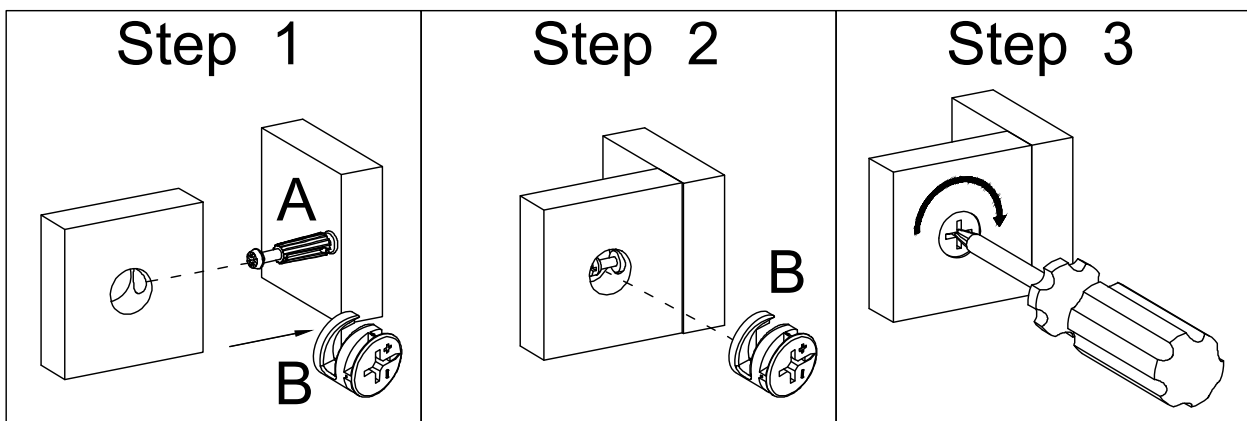
					
<p>1pc</p>					

Installation of Cams and Pins

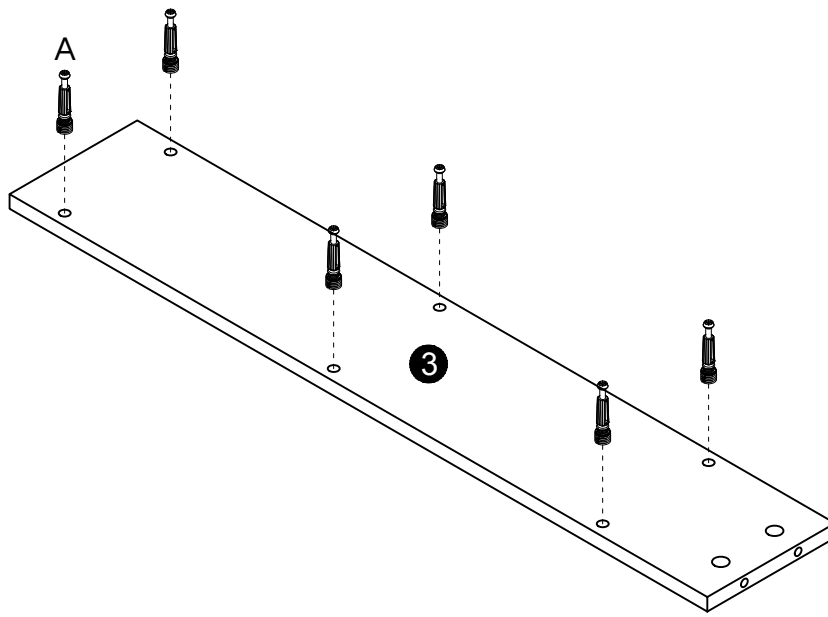
Read each step carefully before starting. Each step of instruction should be performed in the correct order. If these steps are not followed in sequence, assembly difficulties may occur.




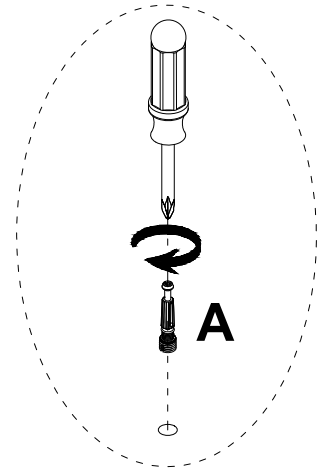
Screw the pin into the hole. Set the cams correctly by aligning the head of the cams with the lock pins. Lock the cam by turning the cam head with a screwdriver until it is tightened. Please do not use an electric screwdriver to assemble the unit.



1



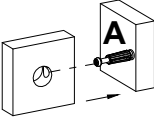
A

M6x35mm
12 pcs



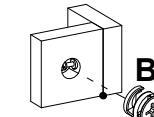
x2

2

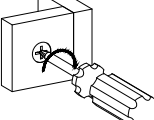
Step 1

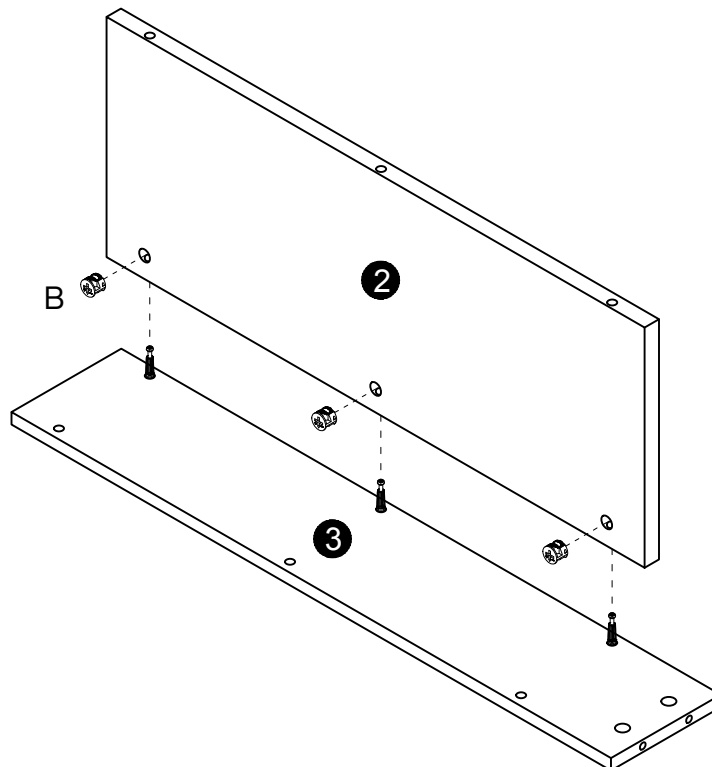



Step 2



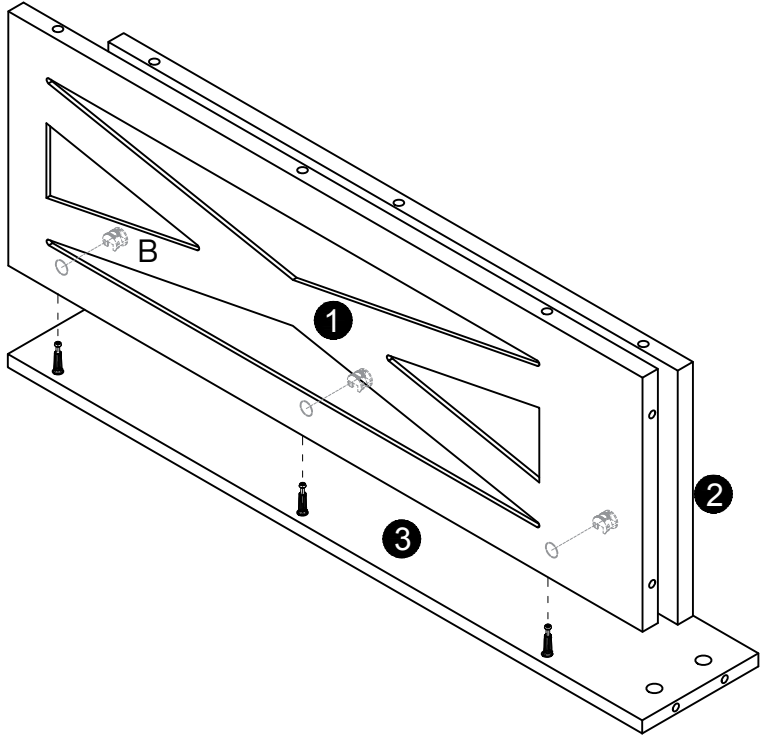
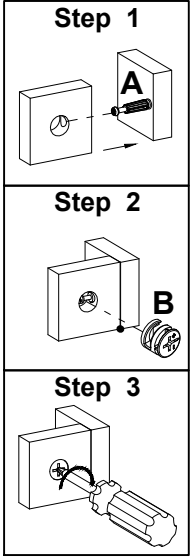
Step 3

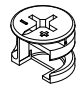




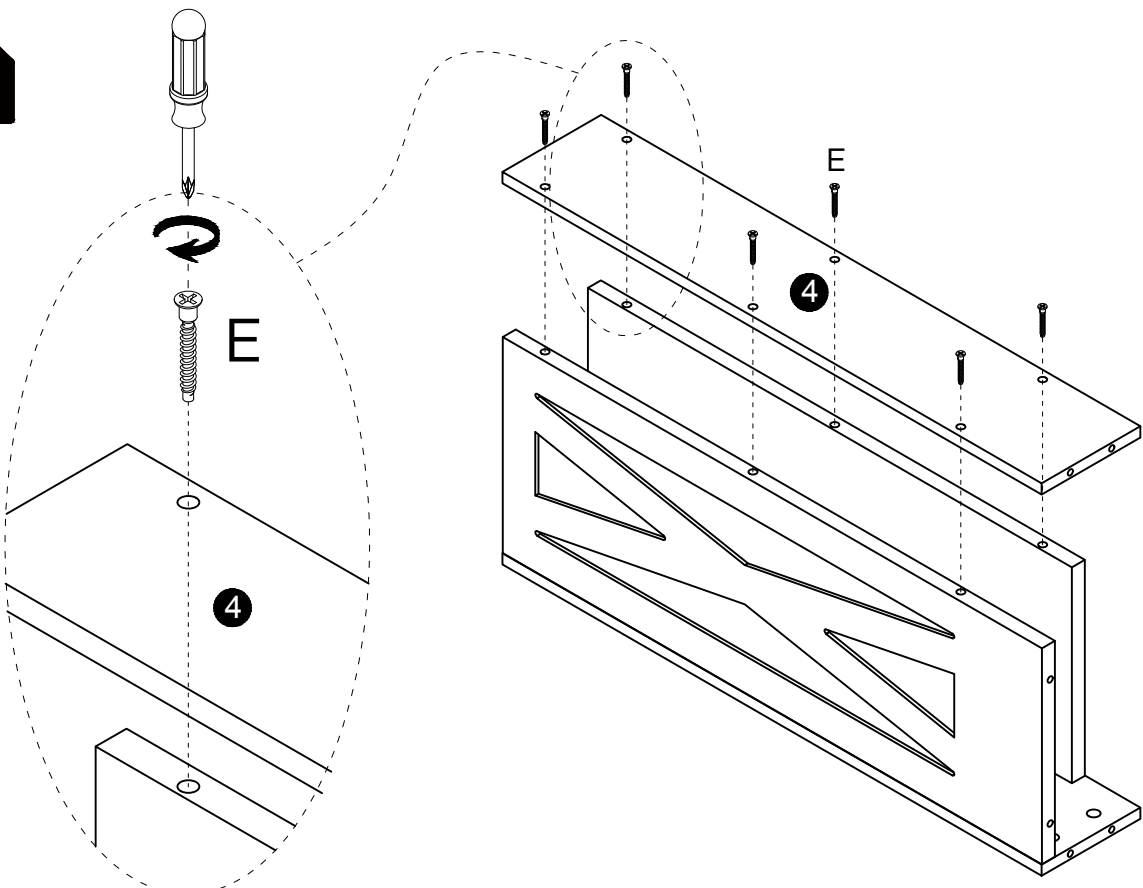
B

Ø15x12mm
3 pcs

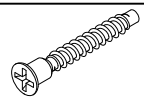
3



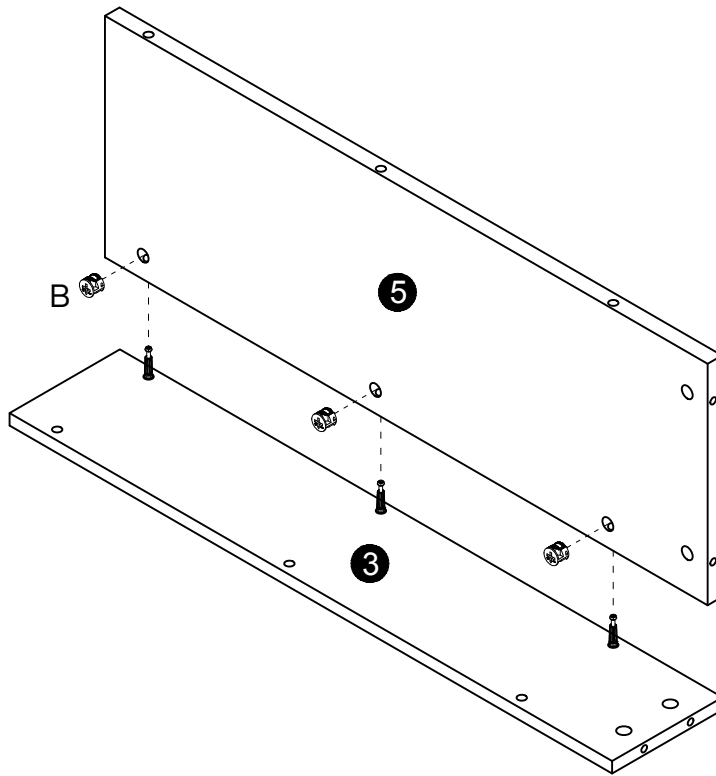
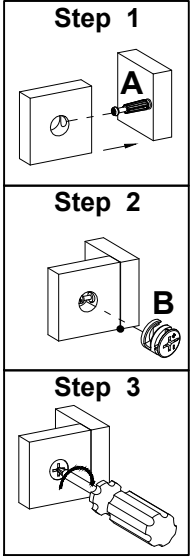
B

Ø15x12mm
3 pcs

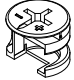
4



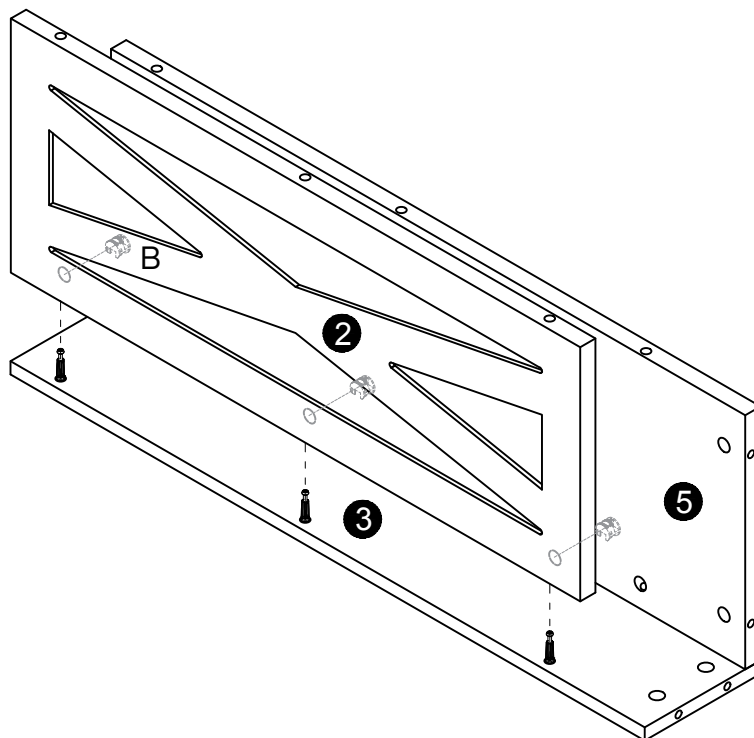
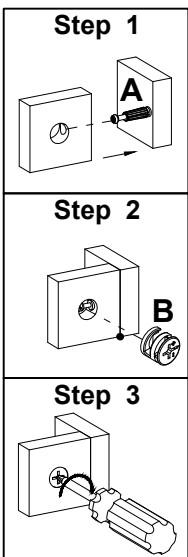
E

Ø7x38mm
6 pcs

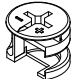
5



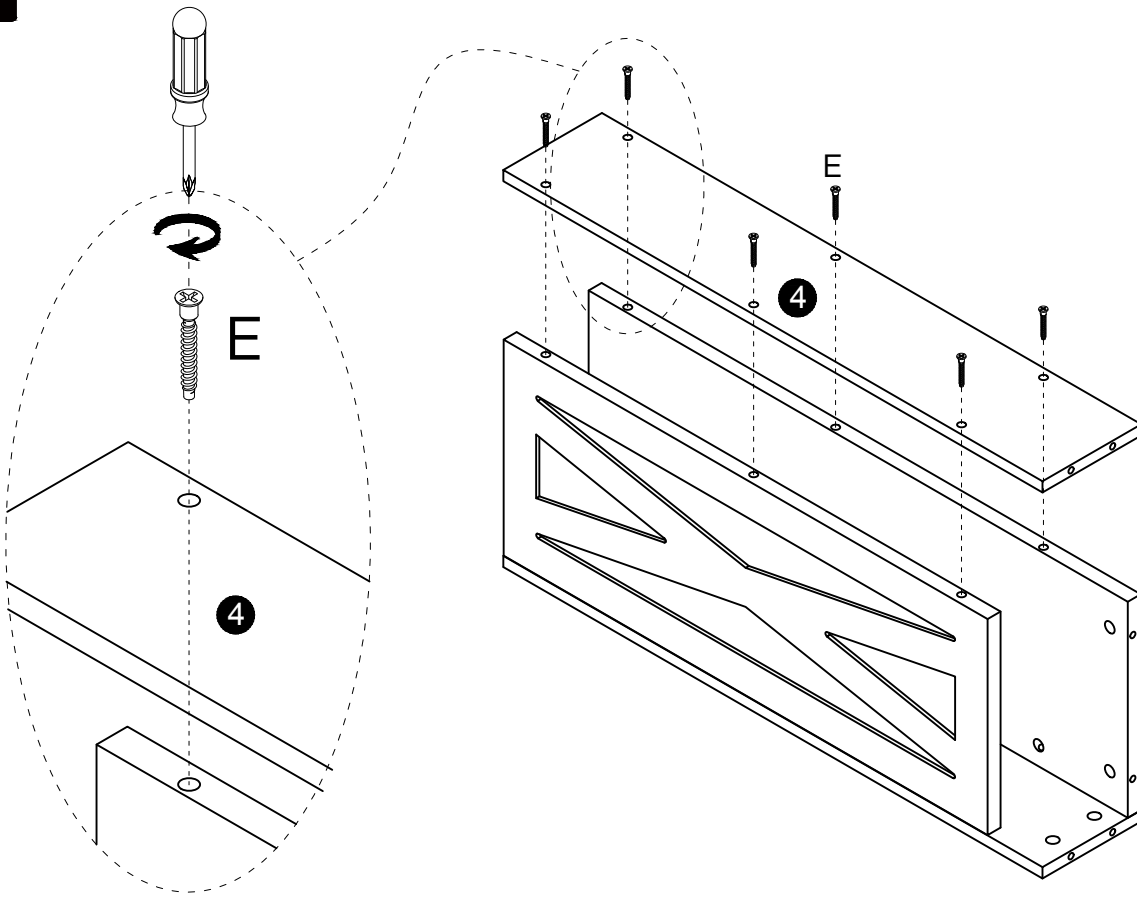
B

Ø15x12mm
3 pcs

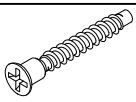
6



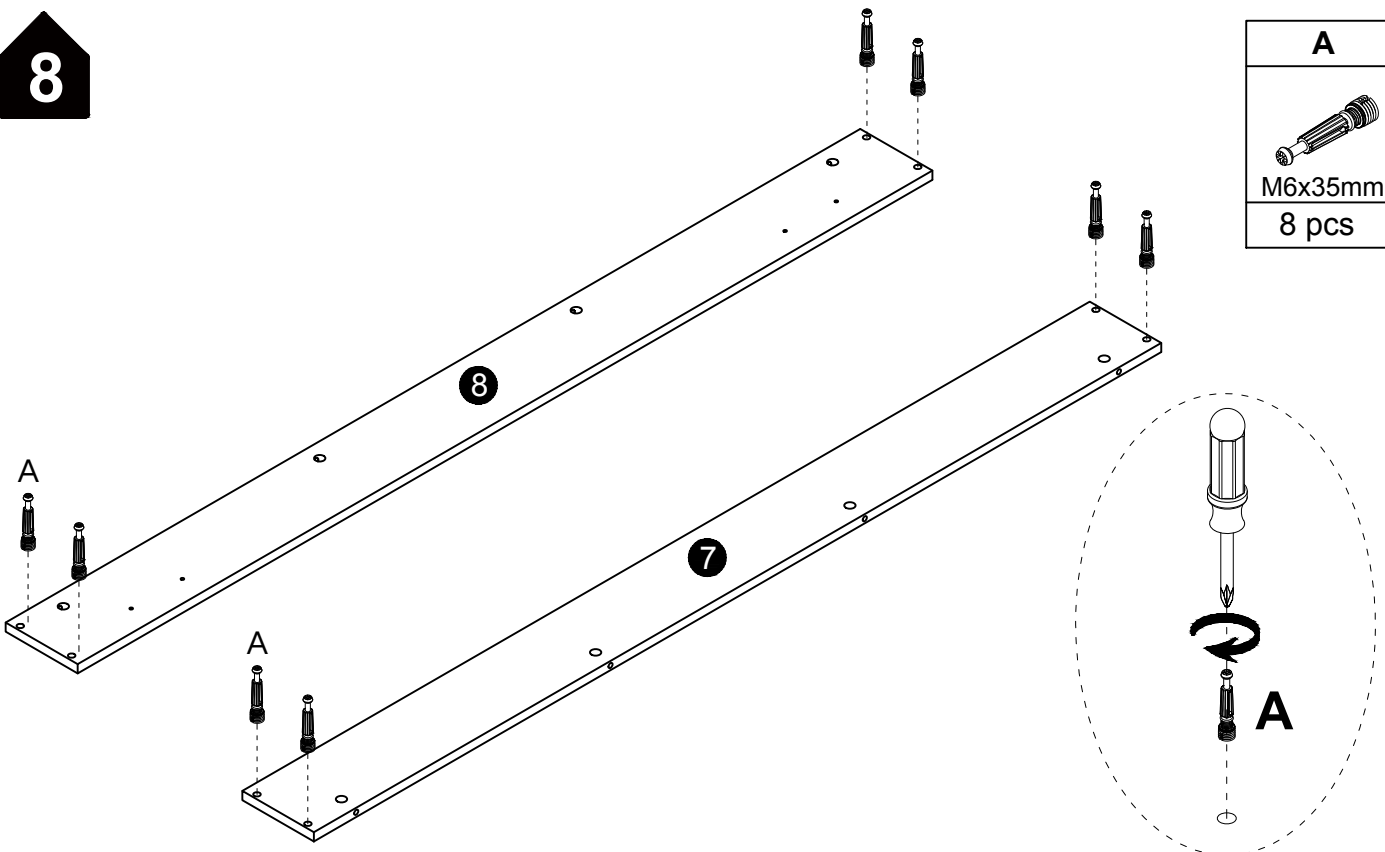
B

Ø15x12mm
3 pcs


7



E

Ø7x38mm
6 pcs

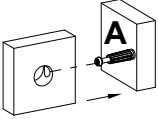
8



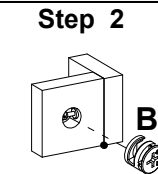
A

M6x35mm
8 pcs

9

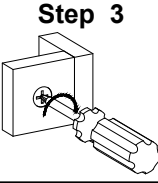
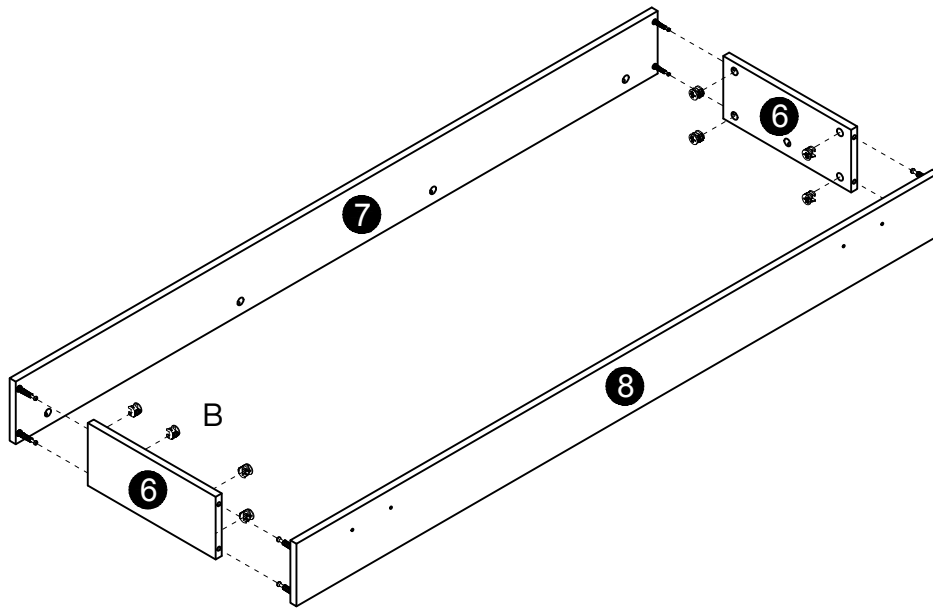
Step 1




Step 2



Step 3

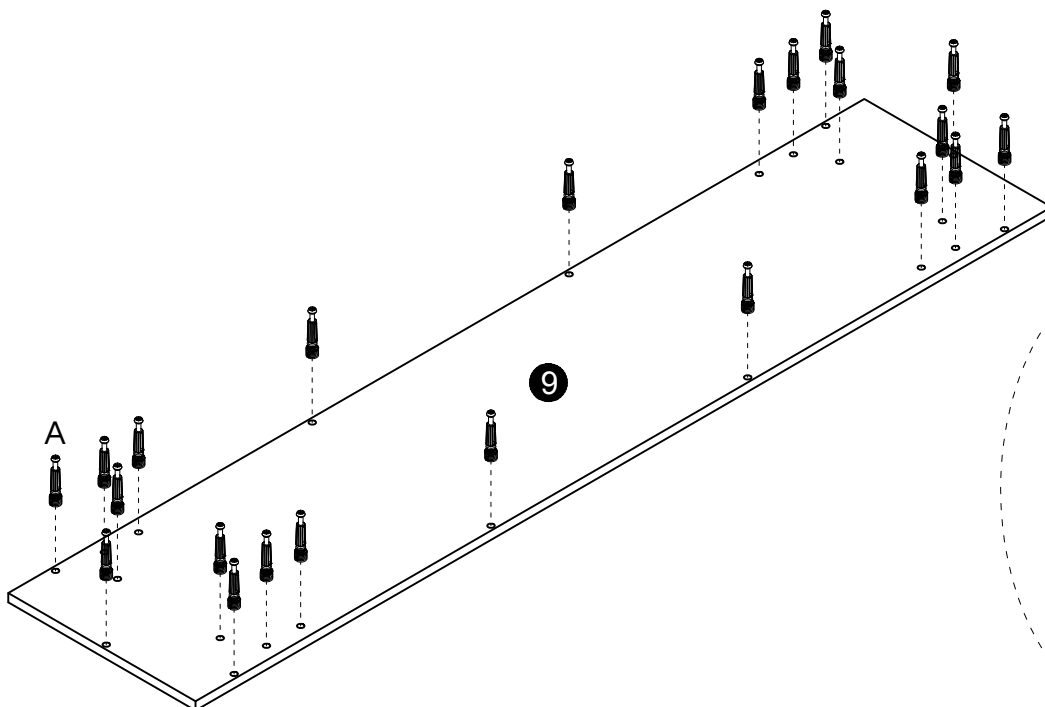



B

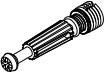


Ø15x12mm
8 pcs

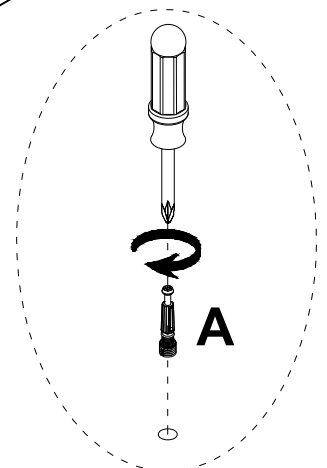
10



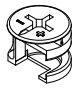
A



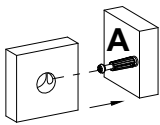
M6x35mm
22 pcs



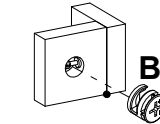
11

B

Ø15x12mm
10 pcs

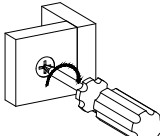
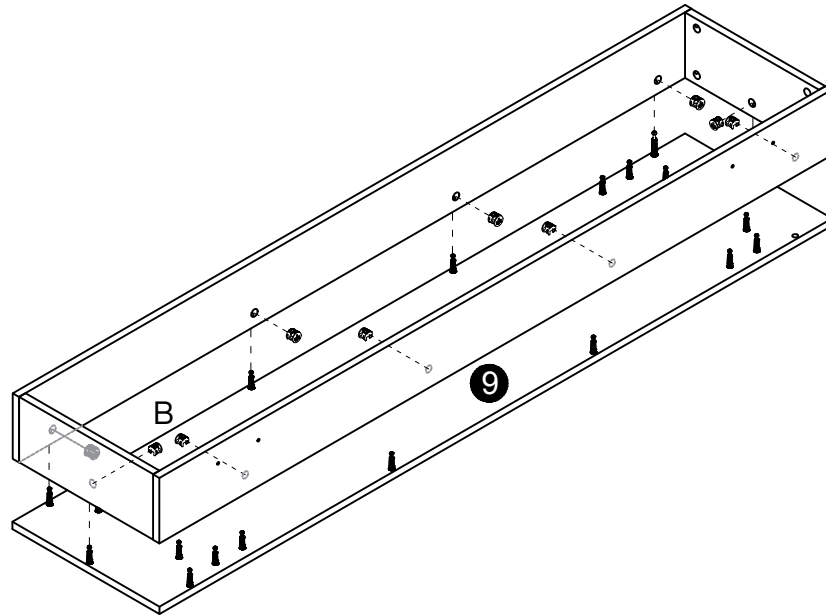
Step 1



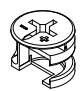
Step 2



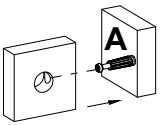
Step 3

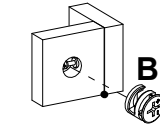
12

B

Ø15x12mm
12 pcs

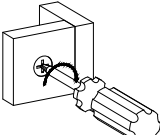
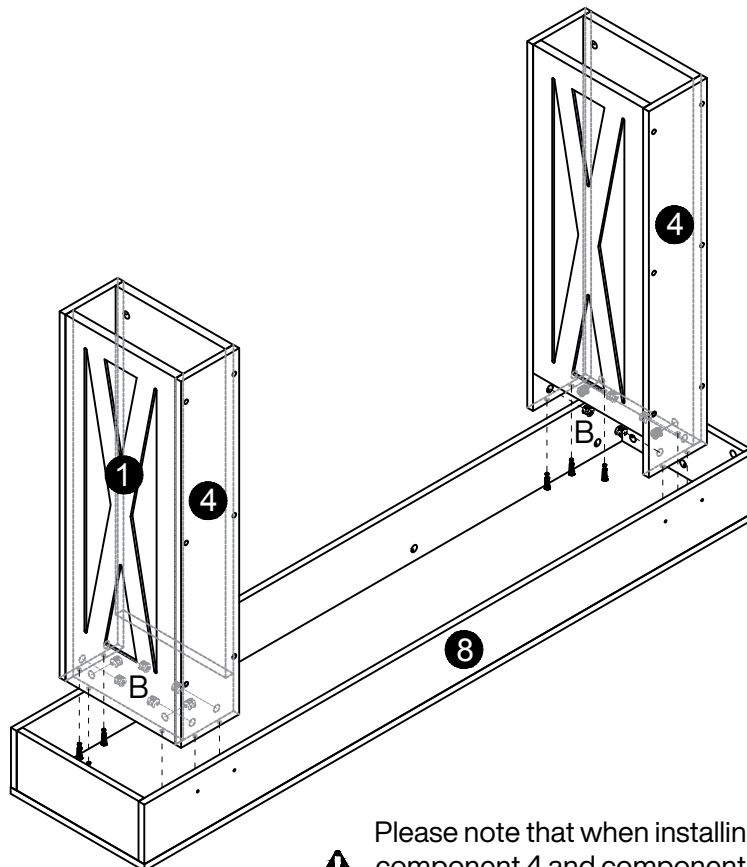
Step 1




Step 2

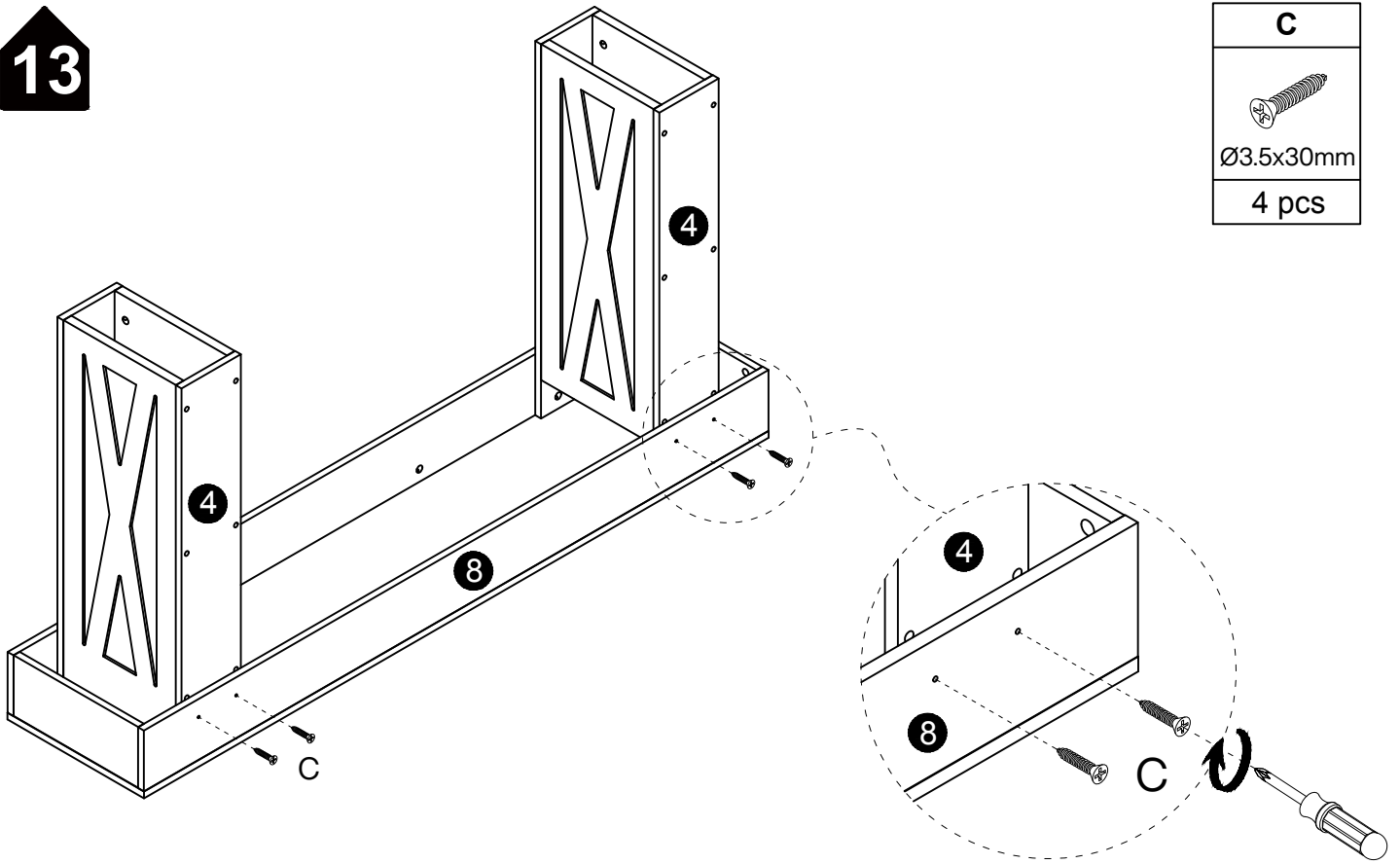


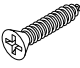
Step 3

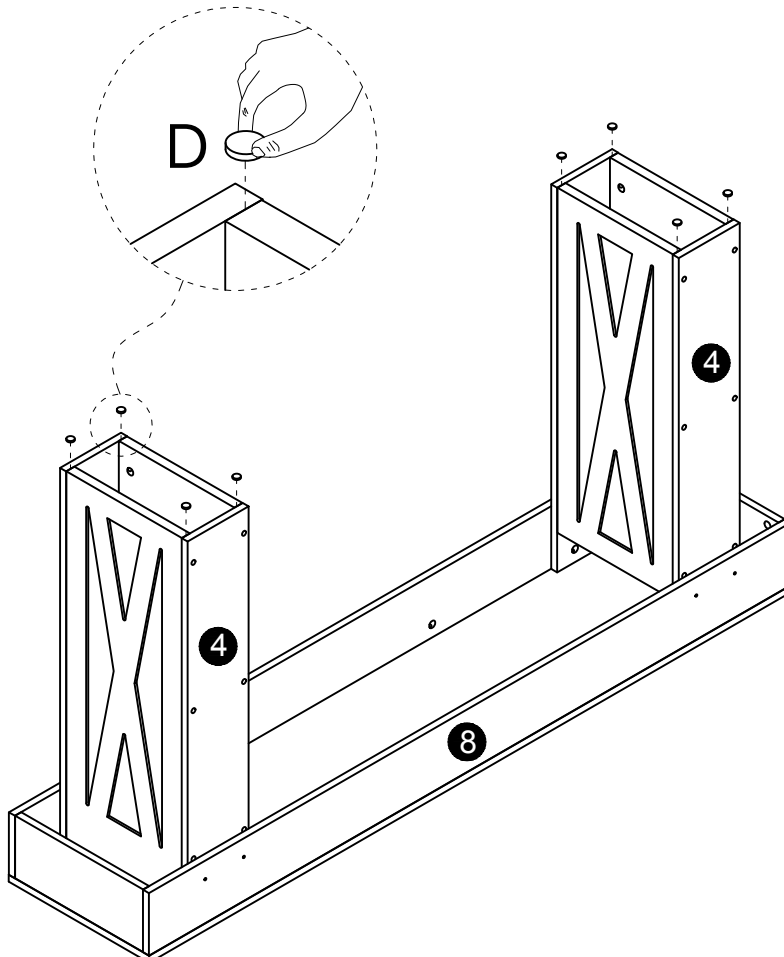
 Please note that when installing the side panel, component 4 and component 8 must be on the same side


13




C

Ø3.5x30mm
4 pcs

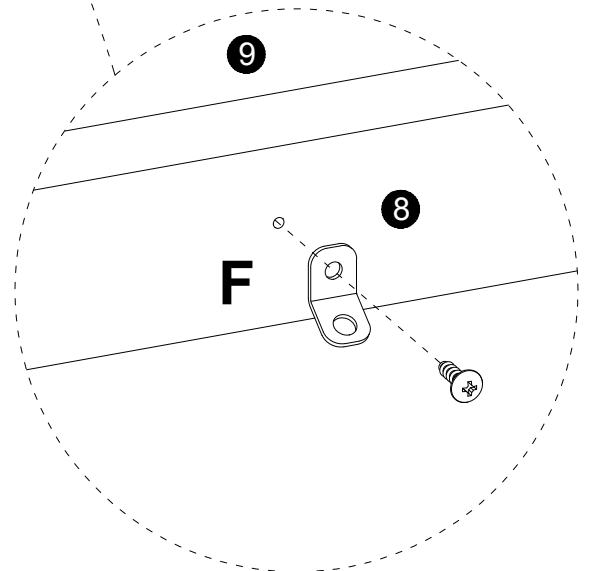
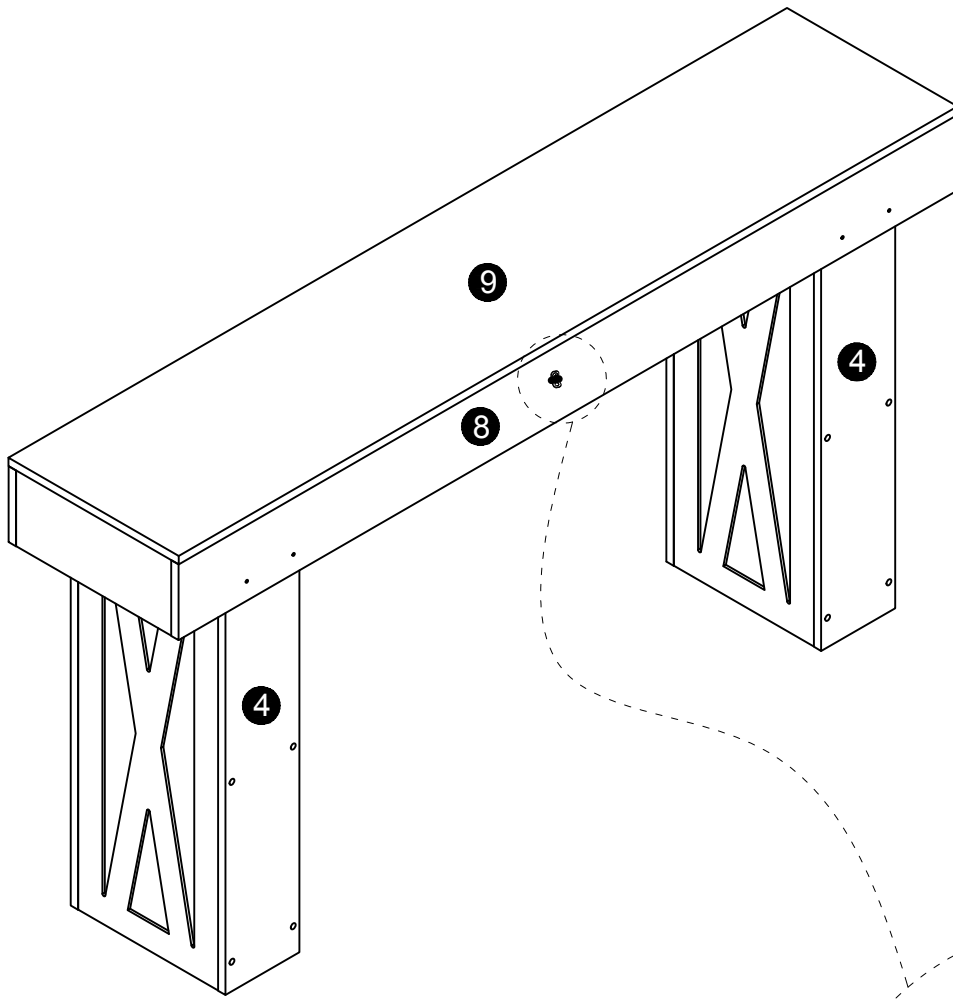
14



D

8 pcs

15

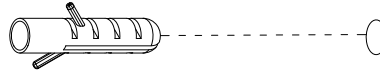
F

1 pc



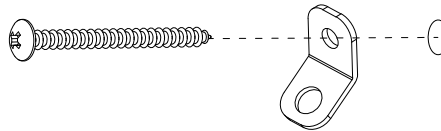
16

Wall

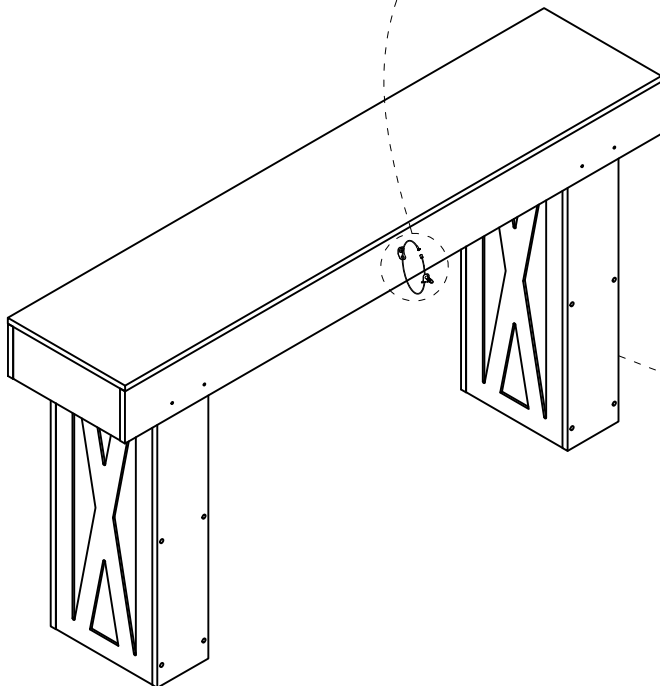
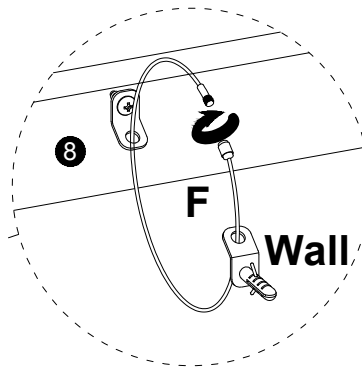
Step1



Step2



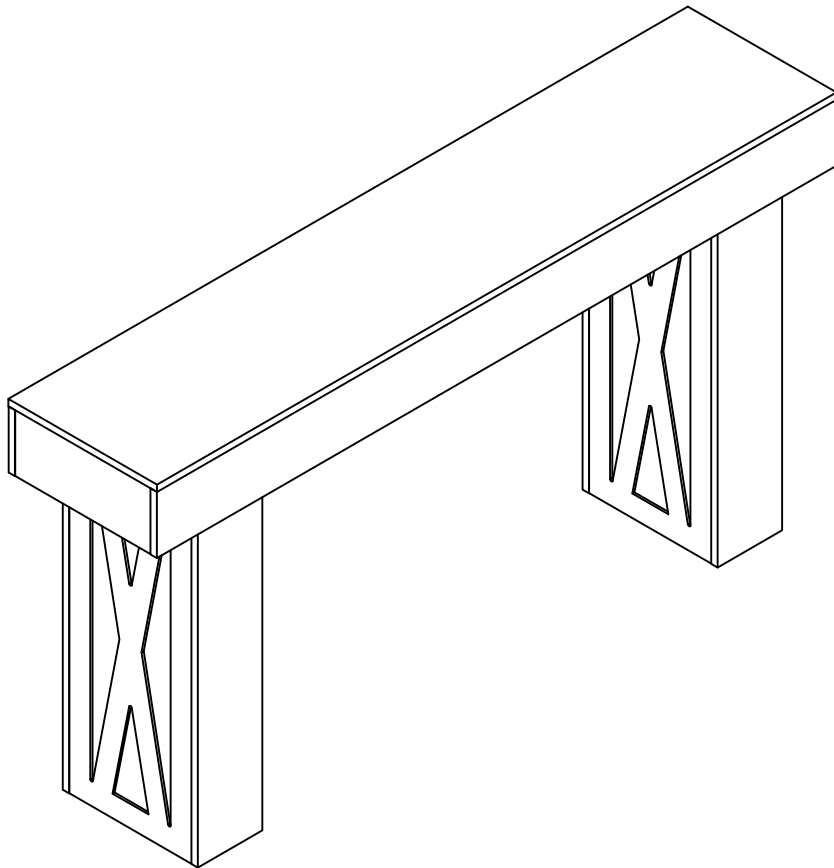
Step3





DESIGNED FOR LIFE

Thank you for your support!



Contact our customer service team



support@tribesigns.com
www.tribesigns.com



1-424-220-6888
Contact us anytime except
12:00 AM to 8:00 AM EST.

Follow Tribesigns



Facebook



Instagram



Pinterest



Twitter



YouTube



TikTok



WhatsApp