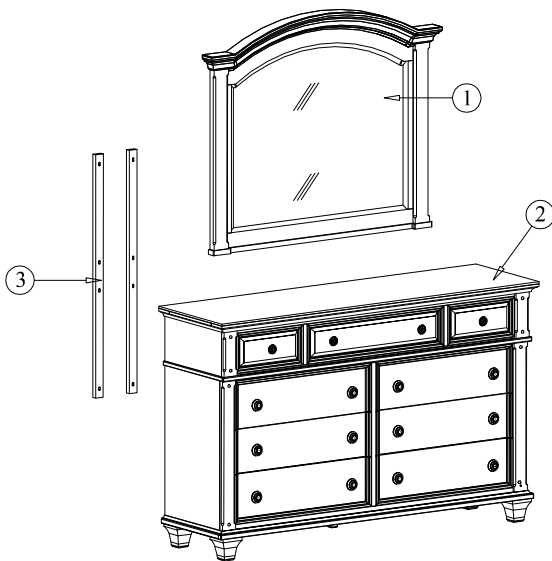


LANDSCAPE MIRROR

Assembly Instruction

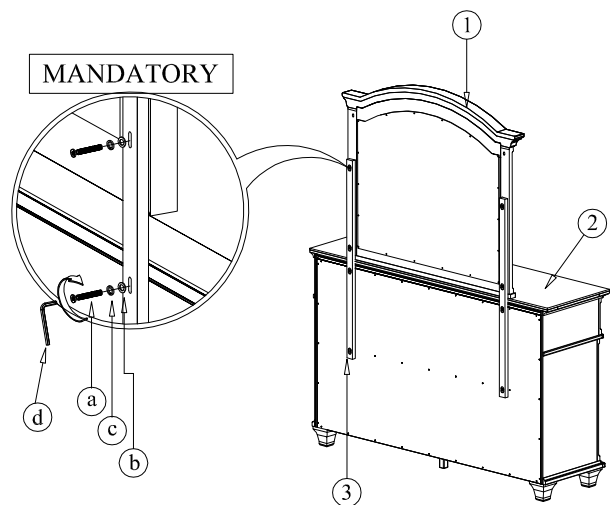
A. Components :	Qty	B. Hardware :	Qty
1. Mirror	: 1 pc	a. Bolt M6 x 40mm	: 8 pcs
2. Dresser	: 1 pc	b. Flat Washer	: 8 pcs
3. Support Mirror	: 2 pcs	c. Lock Washer	: 8 pcs
		d. Allen Key 4mm	: 1 pc

Part Detail

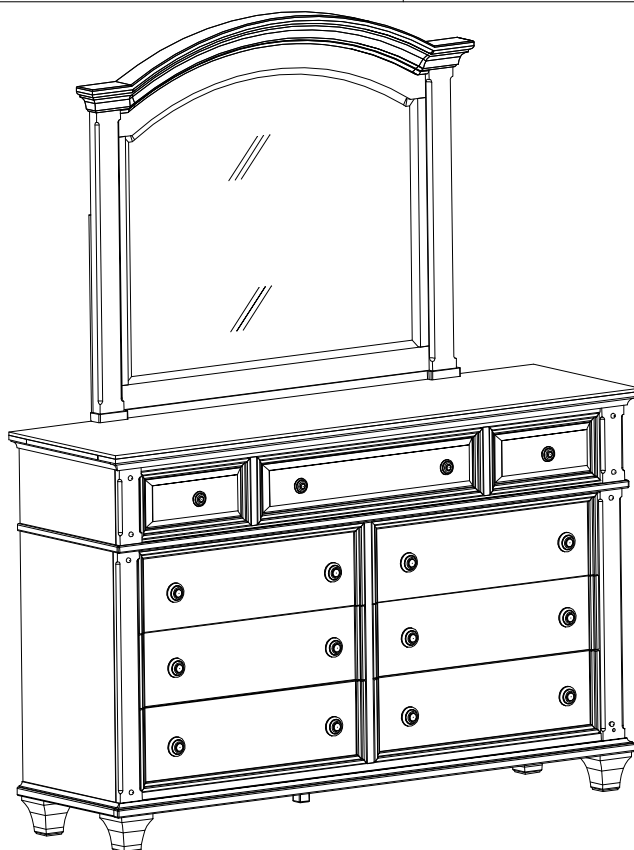


STEP - 1

MANDATORY



STEP - 2



Assembly Completely