

INSTRUCTION MANUAL ENCLOSED

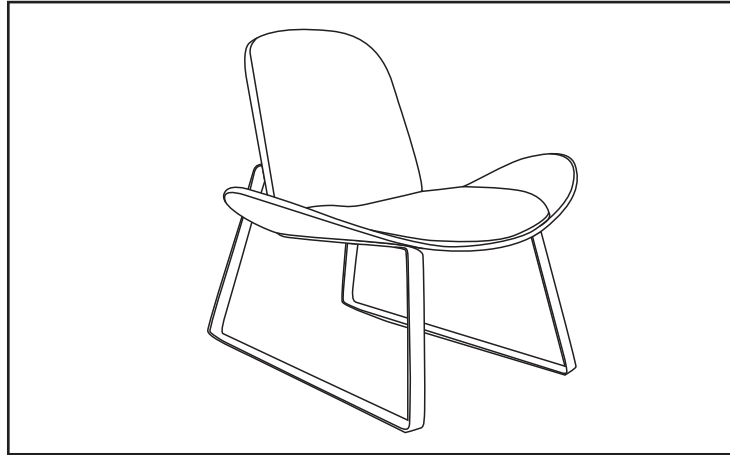
ATTENTION

IF YOU HAVE ANY PROBLEMS OR QUESTIONS, PLEASE EMAIL OR CALL THE CUSTOMER SERVICE BEFORE YOU RETURN THIS PRODUCT TO THE STORE WHERE YOU PURCHASED FROM.

INSTRUCTION MANUAL ENCLOSED


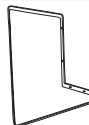

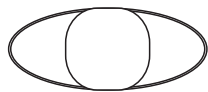


LEISURE CHAIR

LEISURE CHAIR ASSEMBLY INSTRUCTION



PARTS LIST

| Part | Description | Quantity |
|------|-------------------------|----------|
| | <i>PARTS</i> | |
| A | Leg A | 1 |
| B | Leg B | 1 |
| C | Back | 1 |
| D | Seat | 1 |
| E | Bolt M6x20mm | 8 |
| | Spare part Bolt M6x20mm | 1 |
| F | Allen Key | 1 |

| A | B | C | D | E | F |
|---|---|---|--|--|---|
|  |  |  |  |  M6x20MM |  |
| Leg A | Leg B | Back | Seat | Bolt | Allen Key |
| 1PCS | 1PCS | 1PCS | 1PCS | 8PCS | 1PCS |

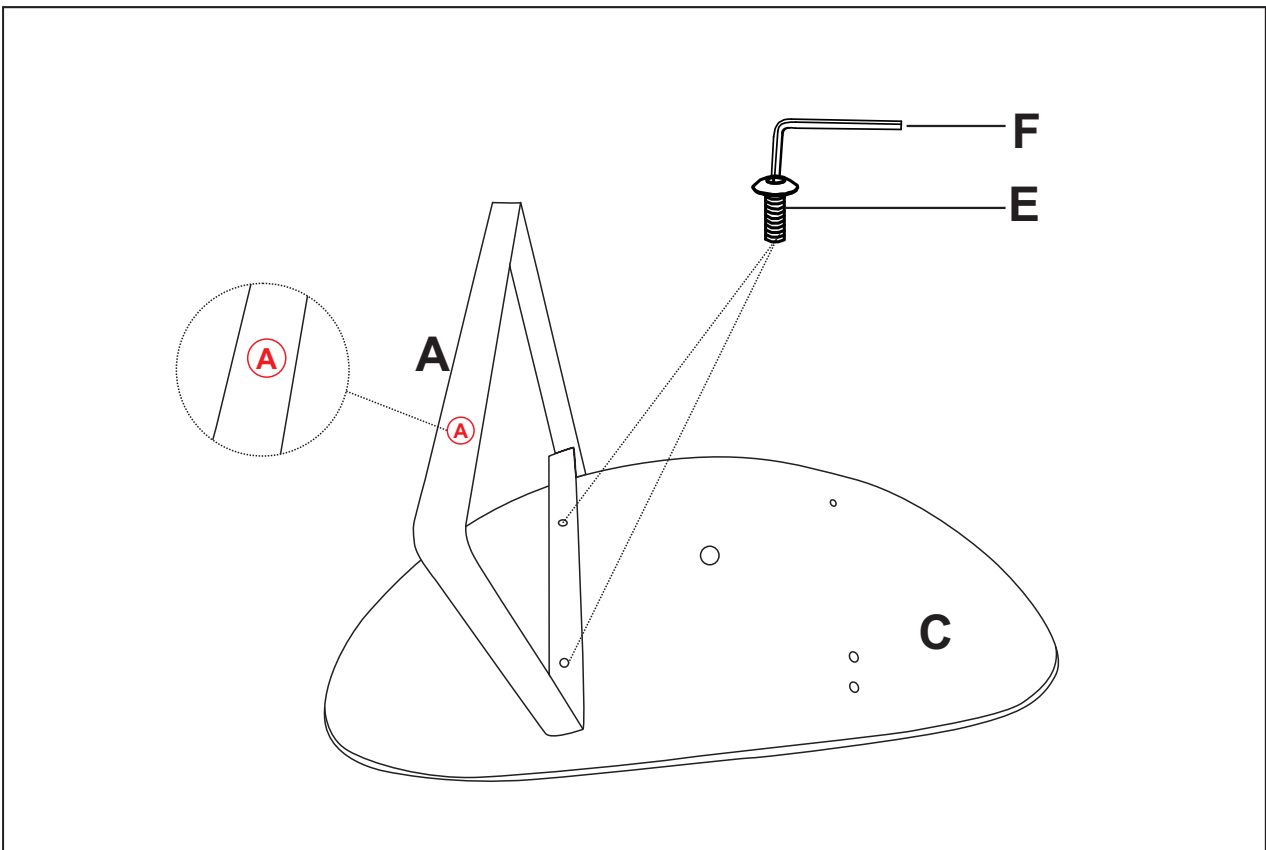
PLEASE READ AND FOLLOW ALL SAFETY TIPS

GETTING STARTED

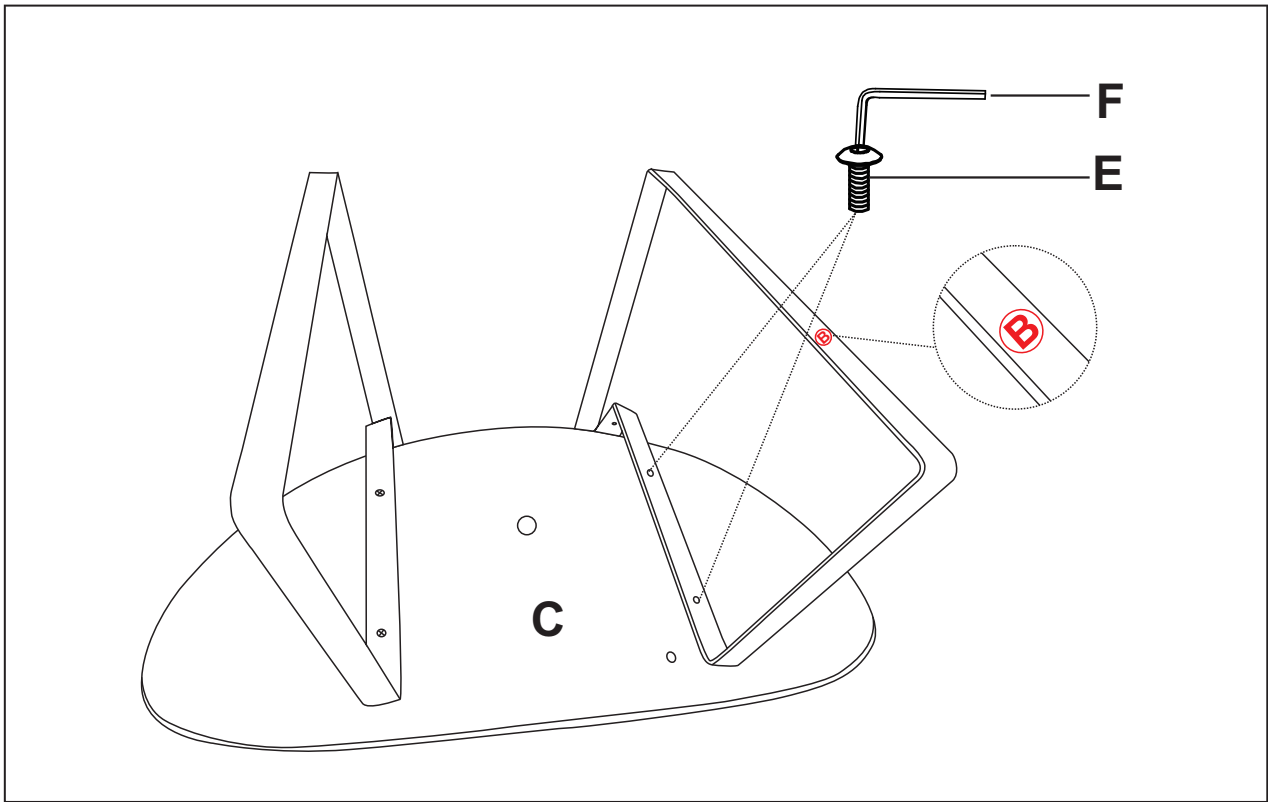
1. Before assembly, CAREFULLY use scissors or utility knife to cut and unwrap all parts. Make sure you do not discard the hardware.

***Do not fasten the bolts before finishing all steps.

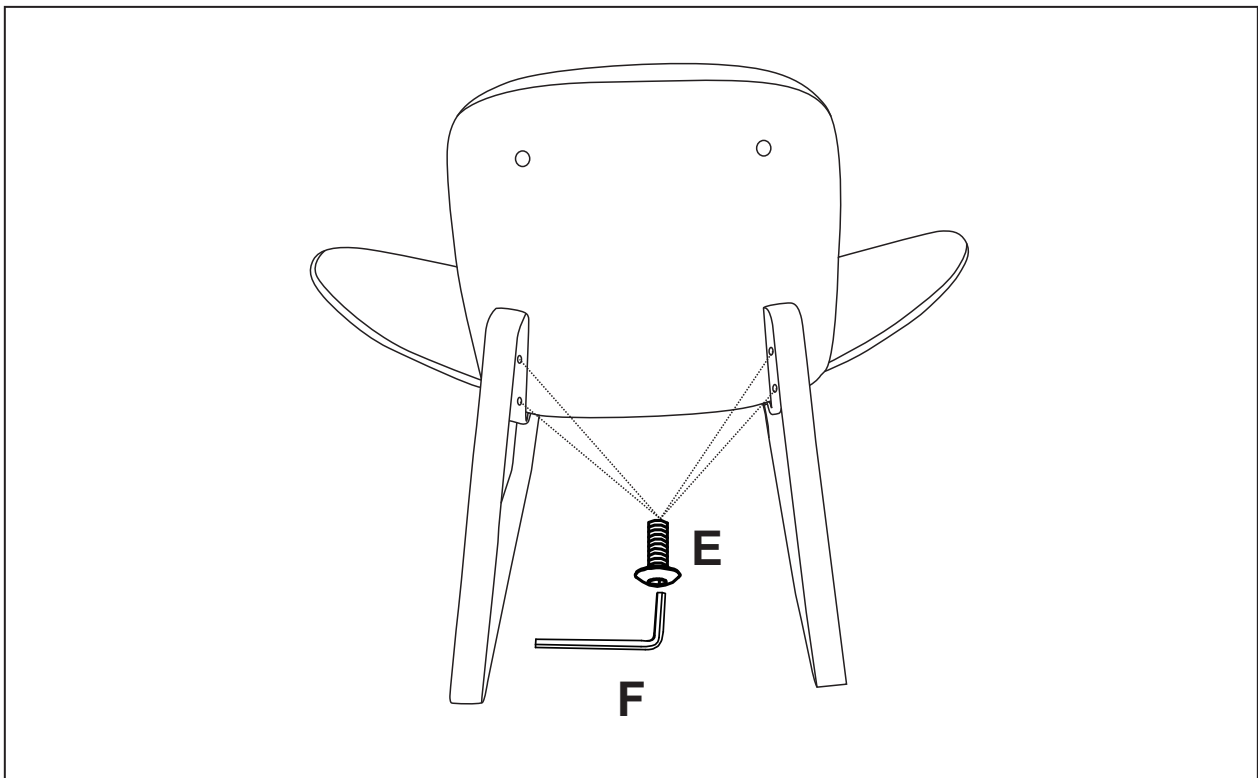
1. locate the Leg (A) to the seat(C),by aligning the pre-drilled holes.
half-fasten the Bolts(E) by and. (Photo 1)



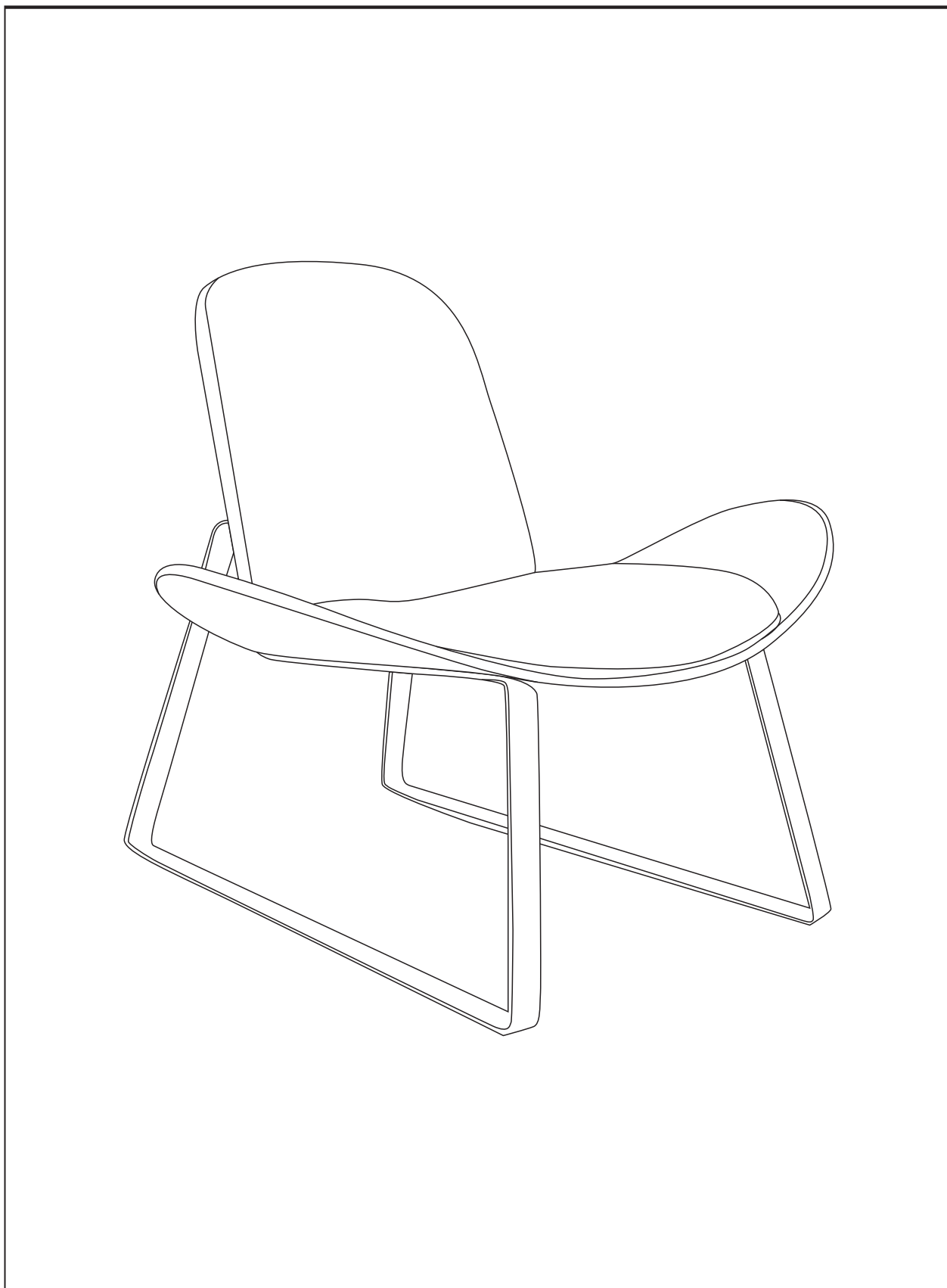
2. locate the Leg (B) to the Seat (C), by aligning the pre-drilled holes. half-fasten the Bolts (E) by hand. (Photo 2)



3. locate the Back (D) to the Legs (A) (B) by aligning the pre-drilled holes, half-fasten the Bolts (E) by hand. (Photo 3)



4. Falten all the Bolts (E) with the Allen keg (F).



Till now you have finished the whole assembly.