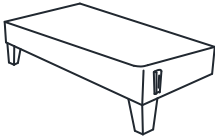


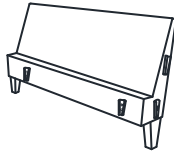
ASSEMBLY INSTRUCTION

ARMLESS LOVE SEAT

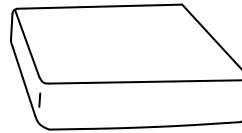
A Seat Frame **B** Back Frame **C** Seat Cushion **D** Back Cushion



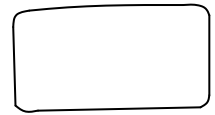
1pc



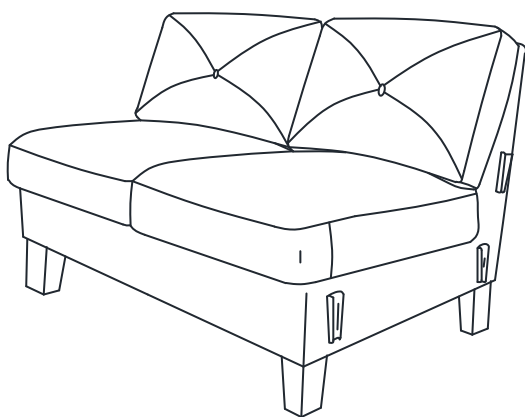
1pc



2pcs

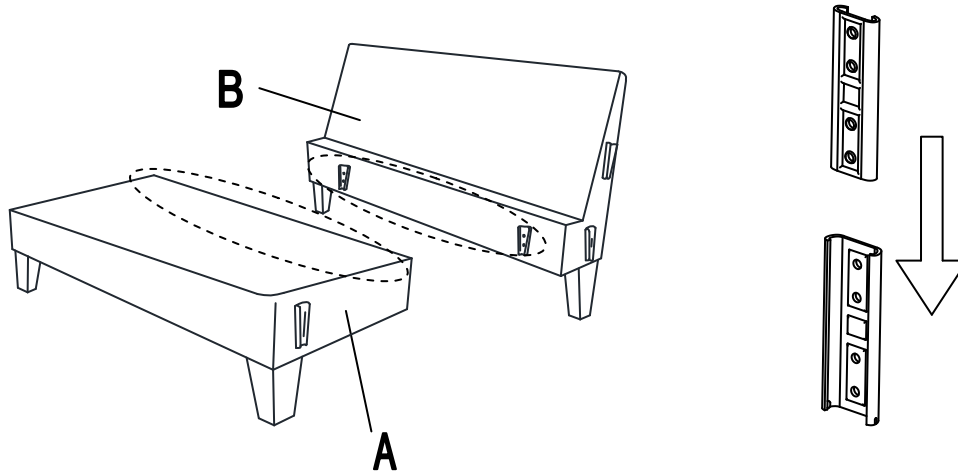


2pcs

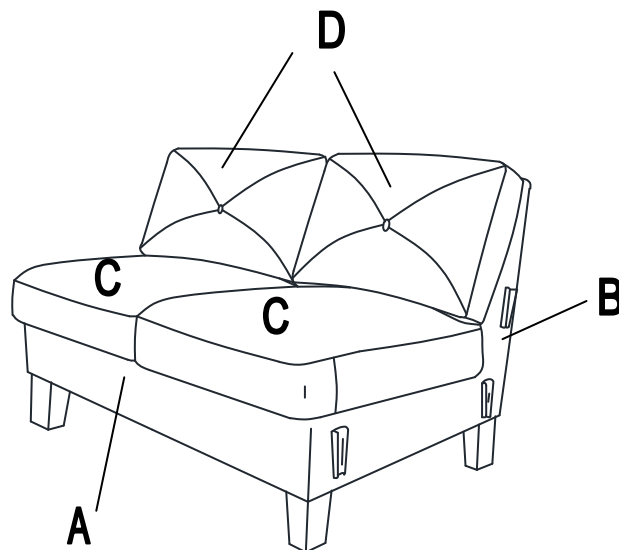


This page lists all the contents included in the box. As you unpack and prepare for assembly, place the contents on a carpeted or padded area to protect them from damage.

1 Hook on Seat Frame (A) to Back Frame (B) properly.



2 Put the Seat Cushion (C) and Back Cushion (D) on Armless Love Seat Frame (A) & (B). The assembly is completed.



Cleaning & Care

Treat surface with care. Surface is resistant to scratches but is not scratch resistant. Clean surfaces with a dry or damp soft cloth. Do not use abrasive cleaners.