

**USER'S MANUAL**  
**Short Wine Rack**

THIS INSTRUCTION BOOKLET CONTAINS IMPORTANT SAFETY INFORMATION. PLEASE READ AND KEEP FOR FUTURE REFERENCE.

Please give us a chance to make it right and do better!  
Contact our friendly customer service department for help first.  
Replacements for missing or damaged parts will be shipped ASAP!

FLOOR AREA  
2MX2M



ASSEMBLED BY 2 ADULTS

**Contact Us!**

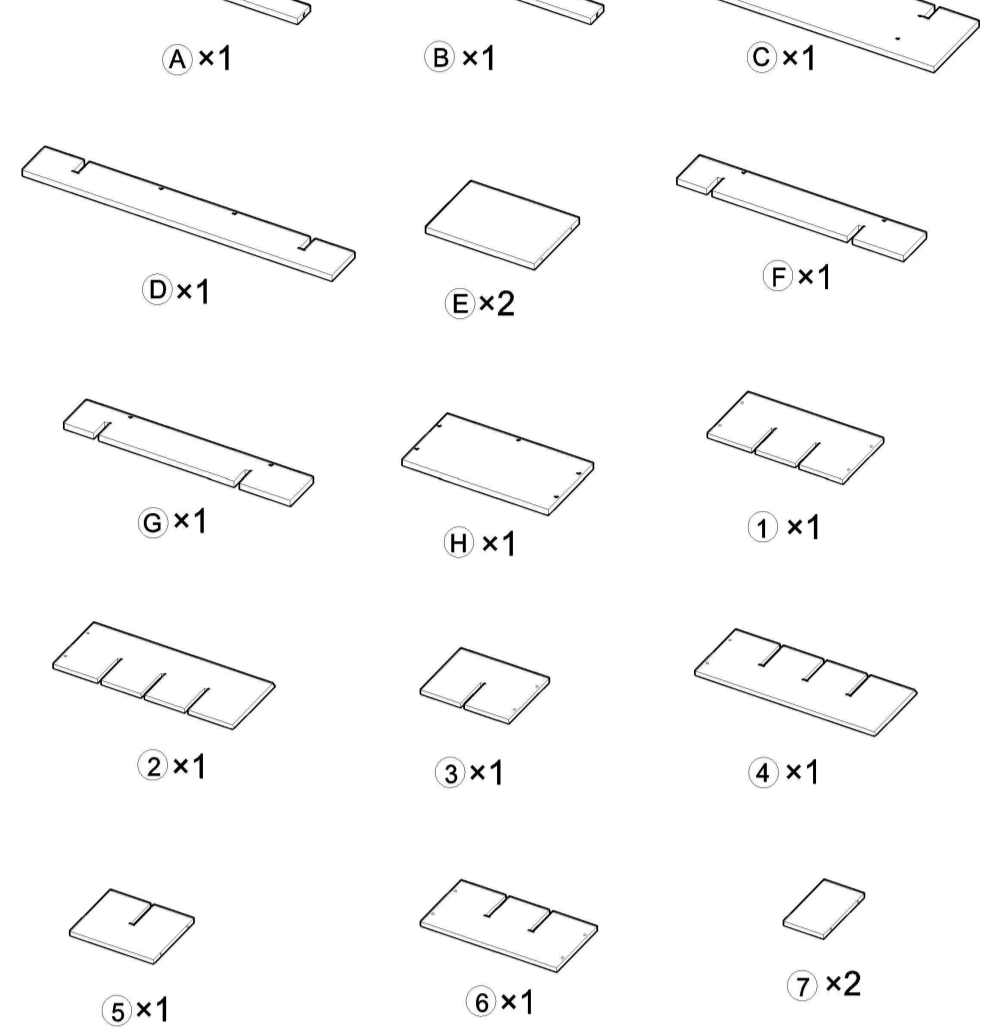
**Do NOT return this item.**  
Contact our friendly customer service department for help first.

**Before You Start**



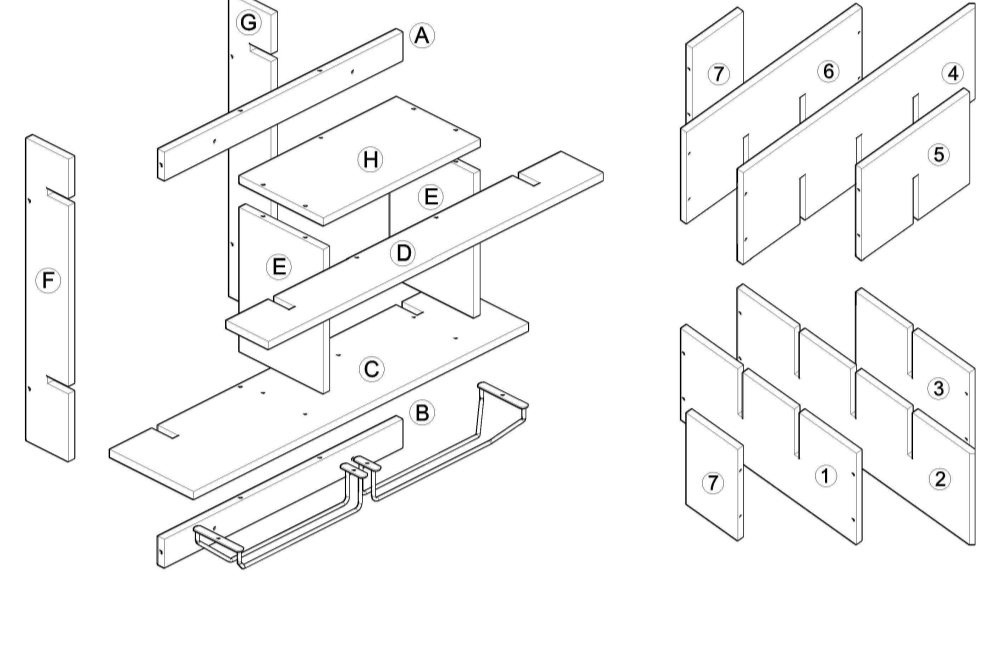
- Ⓞ Read each step carefully before starting. It is very important to ensure each step followed in correct order, otherwise assembly difficulties may occur.
- Ⓞ Most of board parts are labeled or stamped on the raw edges. Have a check to make sure all parts are included.
- Ⓞ Work in a spacious area, preferably on a carpet close to where the unit will be used.
- Ⓞ Keep the handtools close at hand. Do not use power tools to assemble your furniture. They may scratch or damage the parts.

**Board Identification**



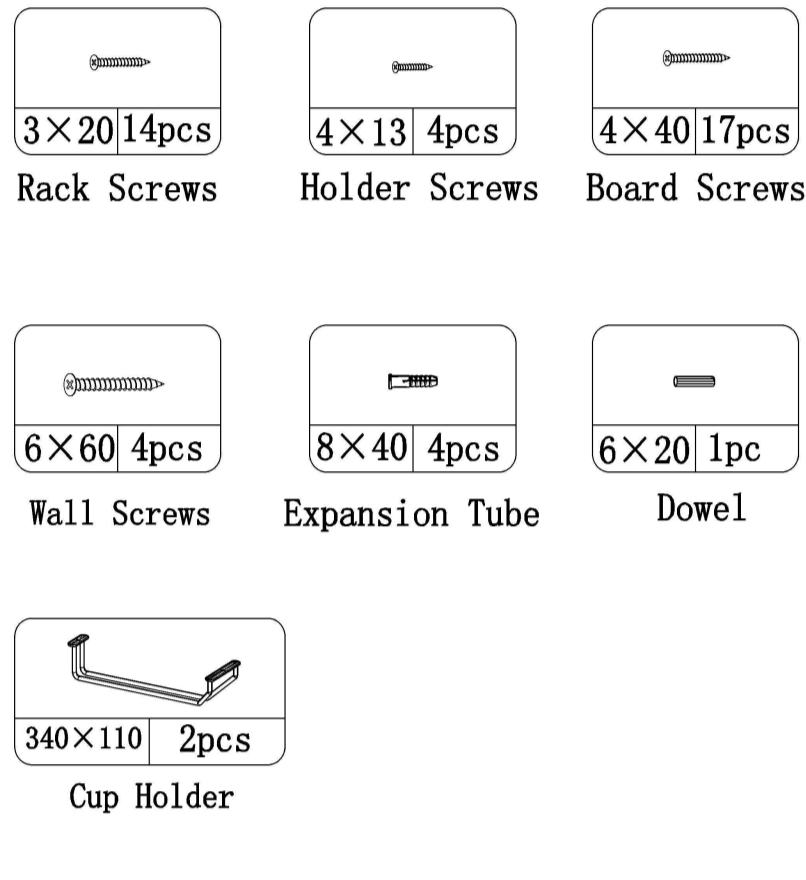
**Board Identification**

Not actual size



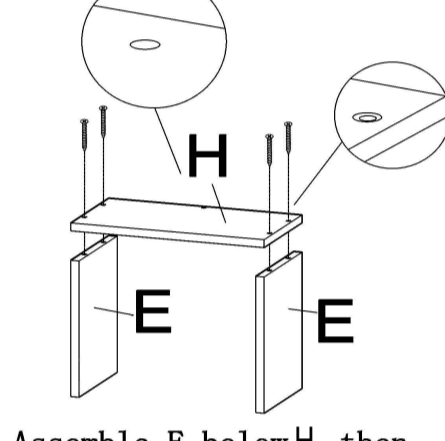
**Hardware List**

Actual size

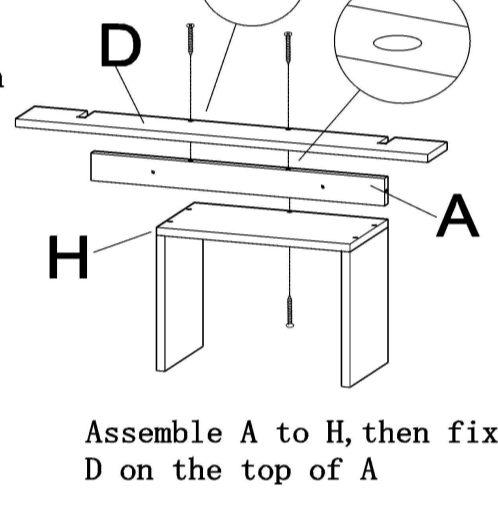


**PRODUCT ASSEMBLY**

**STEP 1**



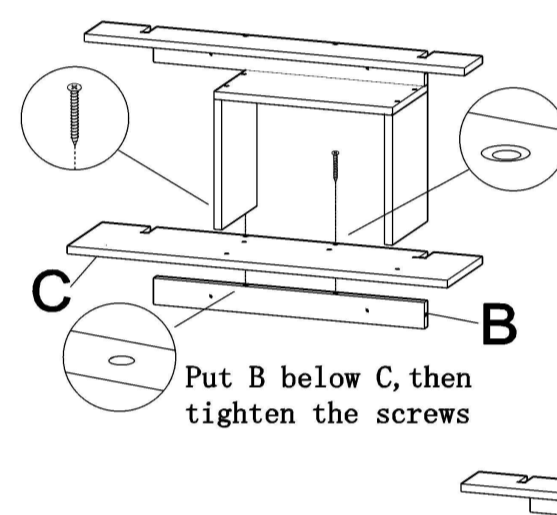
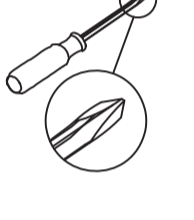
Assemble E below H, then tighten the screws



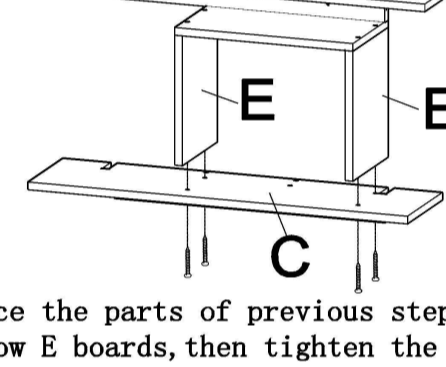
Assemble A to H, then fix D on the top of A

**PRODUCT ASSEMBLY**

**STEP 2**



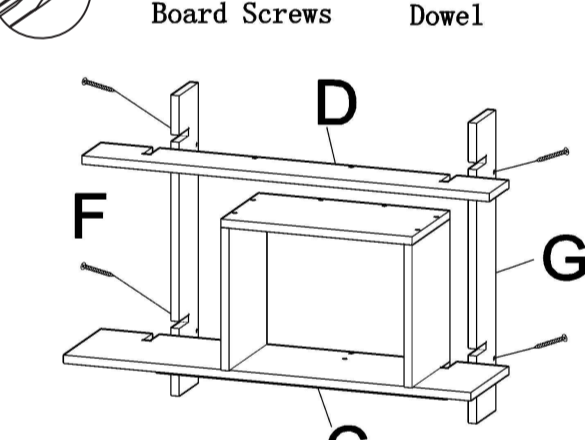
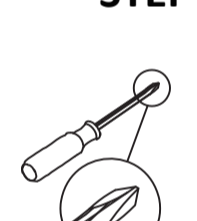
Put B below C, then tighten the screws



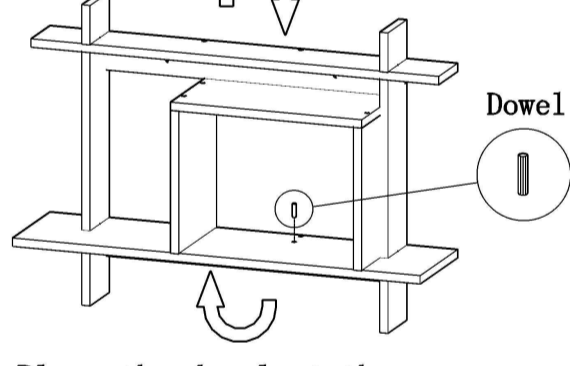
Place the parts of previous step below E boards, then tighten the screws

**PRODUCT ASSEMBLY**

**STEP 3**



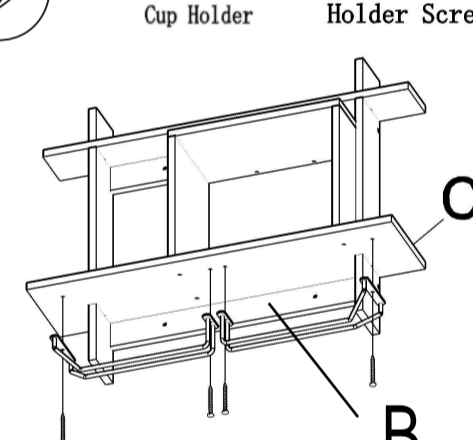
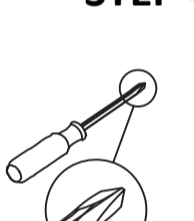
Insert F and G to C and D separately, then tighten the screws



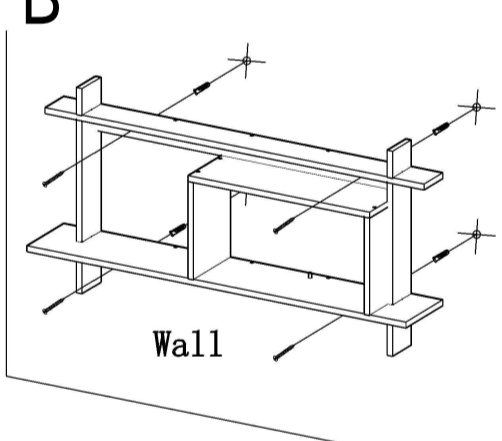
Place the dowel at the slot, then reverse the product

**PRODUCT ASSEMBLY**

**STEP 4**

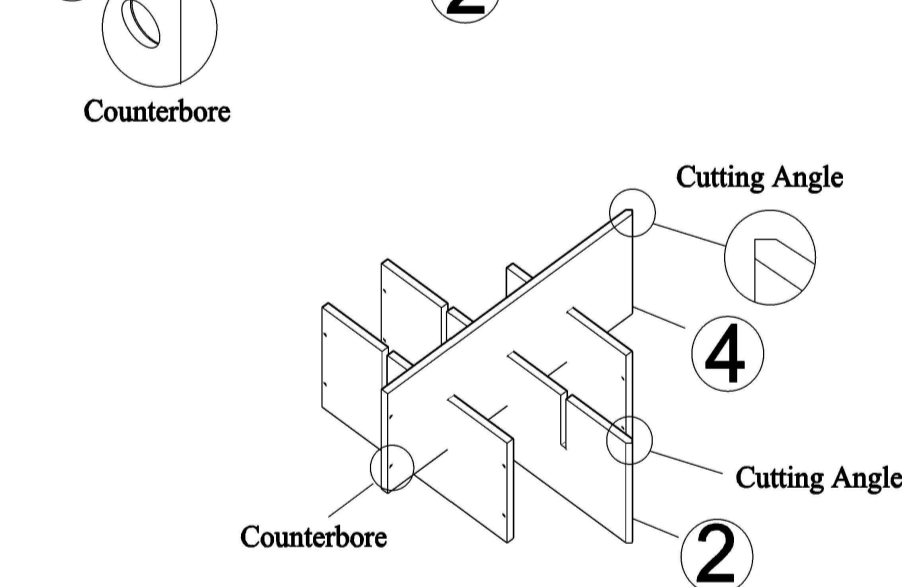
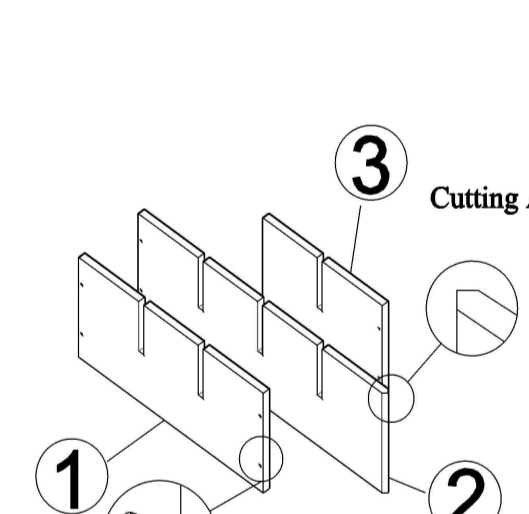


Fix the cup holder at the down side of B, then tighten the screws



**PRODUCT ASSEMBLY**

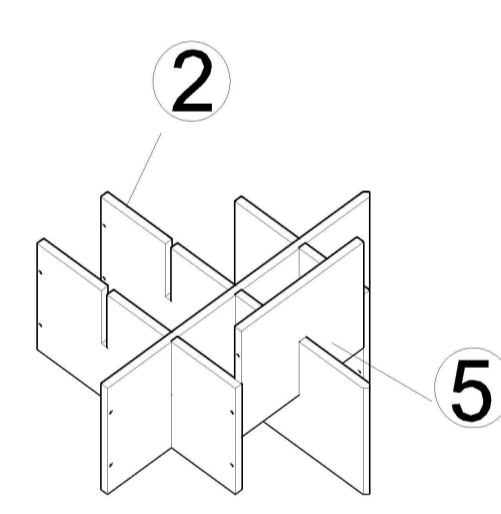
**STEP 11**



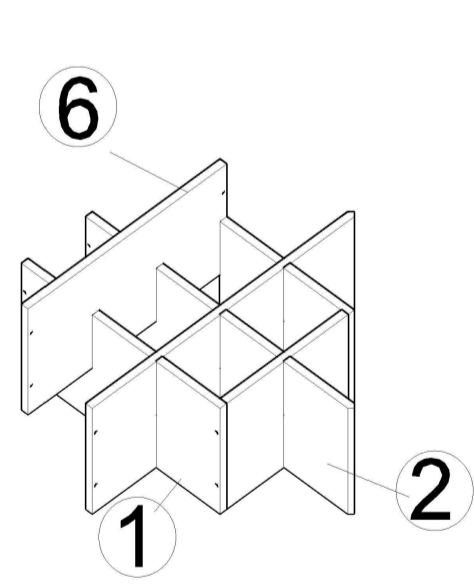
Insert 4 as above.

**PRODUCT ASSEMBLY**

**STEP 12**



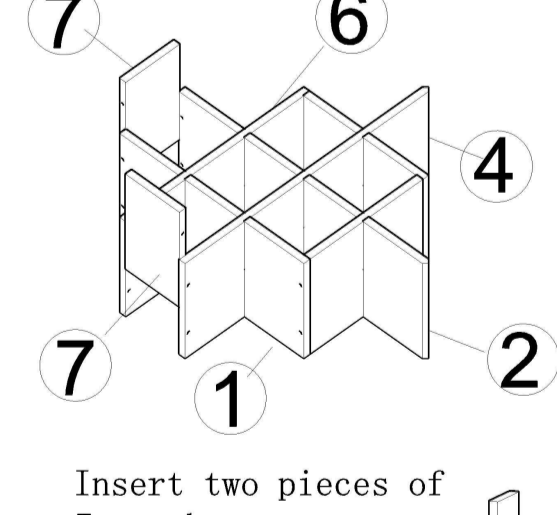
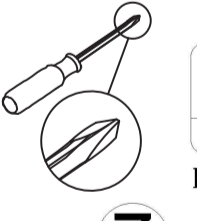
Insert 5 to 2.



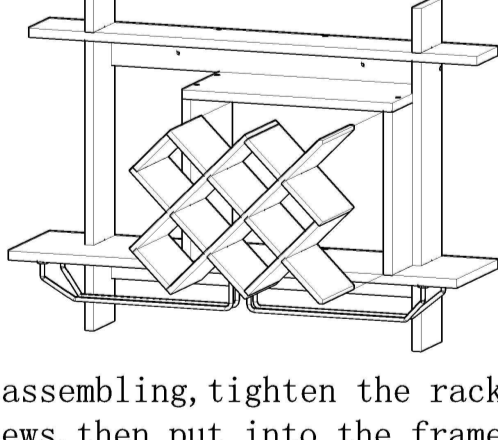
Insert 6 to 1 and 2 as above.

**PRODUCT ASSEMBLY**

**STEP 13**



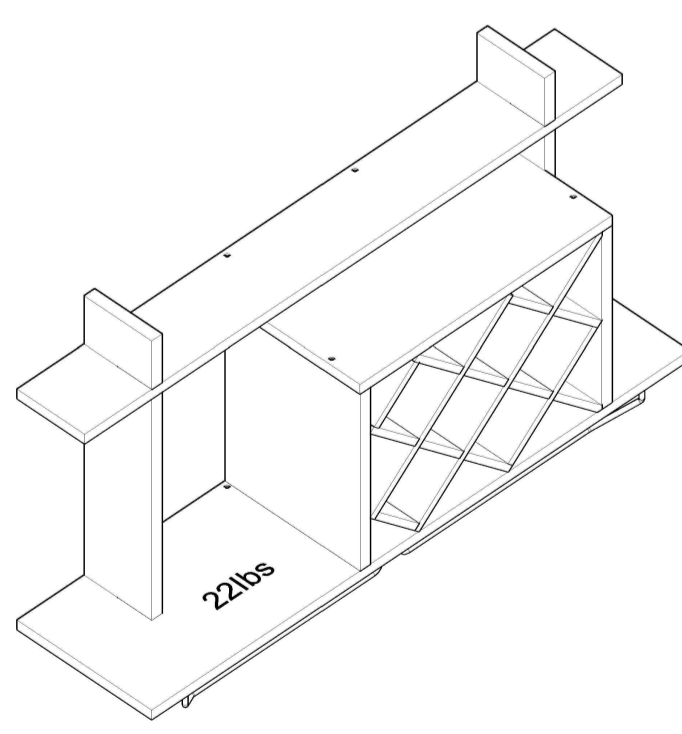
Insert two pieces of 7 as above.



After assembling, tighten the rack by screws, then put into the frame to press against the dowel.

**PRODUCT ASSEMBLY**

**Maximum Loads**



**WARNING**

This item is only suitable within the specified maximum load-bearing. Heavier loads than the indicated load capacity may cause instability, resulting in possible injuries.

**Care and Maintenance**

Use a soft, clean cloth that will not scratch the surface when dusting. Use of furniture polish is not necessary.

Should you choose to use polish, test first in an inconspicuous area. Using solvents of any kind on your furniture may damage the finish. Never use water to clean your furniture as it may cause damage to the finish.

Liquid spills should be removed immediately. Using a soft clean cloth, blot the spill gently. Avoid rubbing.

Check bolts/screws periodically and tighten them if necessary.

**Further advice about wood furniture care**

It is best to keep your furniture in a climate-controlled environment. Extreme temperature and humidity changes can cause fading, warping, shrinking and splitting of wood.

It is advised to keep furniture away from direct sunlight as sun may damage the finish.

Proper care and maintenance at home will extend the life of your purchase. Following these important and helpful tips will enhance your furniture as it ages.

★★★★



- \* Reward Points
- \* Exclusive Customer Service
- \* Personalized Recommendations
- \* Permanent Shopping Cart
- \* Order History

**5 Star Rating**



We would like to extend our heartfelt thanks to all of our customers for taking time to assemble this product and giving us valuable feedbacks.

