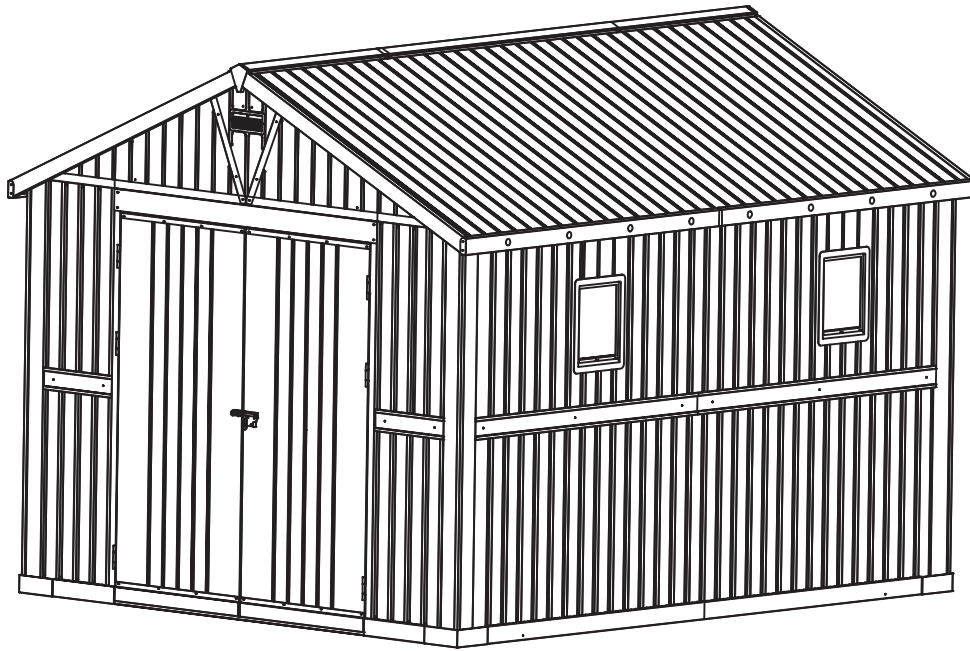


# ASSEMBLY INSTRUCTION

ITEM#: MSS-98901



**PRODUCT CONTAINS 4 BOXES:**

**MSS-98901X-A**

**MSS-98901X-B**

**MSS-98901X-C**

**MSS-98901X-D**

Arrive in 4 separate boxes and may not be part of the same shipment; please install the product after receiving all the packages.

Requires three or four people and takes 7-10 hours for installation.

Quick & Easy Assembly

Ridge Reinforced Walls

**WARNING: READ INSTRUCTION MANUAL BEFORE ATTEMPTING TO ASSEMBLE OR OPERATE THIS PRODUCT.**

# CONTENTS

---

1.Contents.....	2
2.Precautions for installation.....	3-4
3.Product explosion diagram .....	5-7
4.Part list.....	8-11
5.Hardware.....	12
6.Base installation steps.....	14-15
7.Frame installation steps.....	16-26
8.Triangular panel installation steps.....	27-35
9 .Top panels installation steps.....	36-43
10.Door installation steps .....	44-51

# BEFORE YOU START

---

## Owner's Manual

Prior to installation, it is important that you contact your local government authority to determine if building approval is required.

Please read carefully and make sure you understand this owner's manual as it includes important information and helpful tips which will make the installation easier and more enjoyable.

## Assembly instructions

Instructions are included in this manual and contain all relevant information for your model building. Review all instructions before you begin. During assembly, follow the step sequence carefully to ensure proper installation. Please be aware: **this unit takes three or four people about one full day to complete.**

## Parts

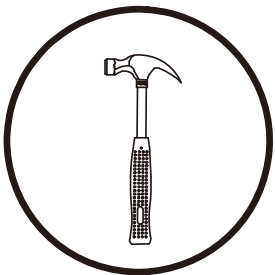
Check to be sure that you have all the necessary parts for the installation.

Separate contents of the carton by the part number while reviewing parts list.

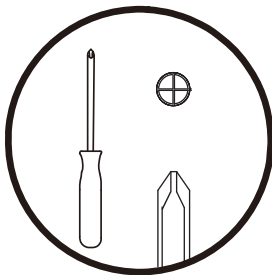
Familiarize yourself with the hardware and fasteners for easier use during construction. These are packaged within the carton. Note that extra fasteners have been supplied for your convenience.

# TOOLS REQUIRED

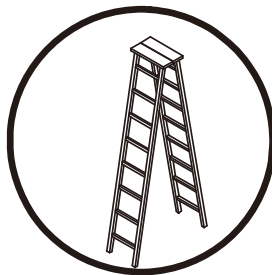
---



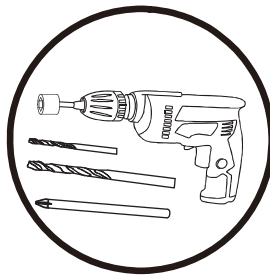
Hammer



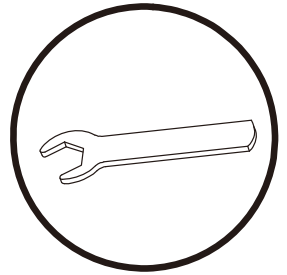
Screwdriver



Ladder



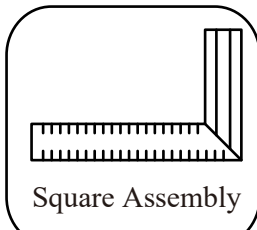
Electric screw driver



Wrench

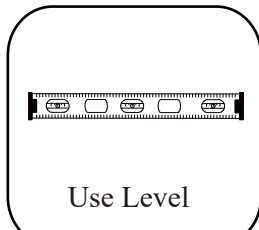


This identifies information that requires special attention. Improper assembly could lead to an unsafe or dangerous condition.



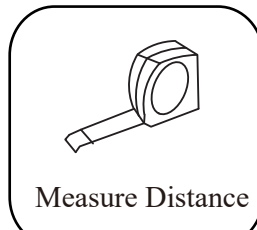
Square Assembly

Check that assembly is square before tightening bolts.



Use Level

Check that set or assembly is properly level before proceeding.



Measure Distance



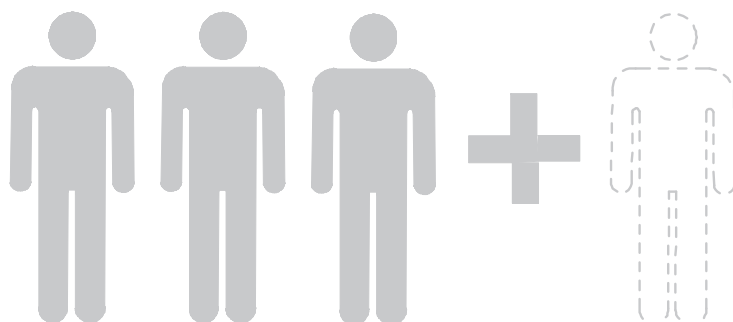
Gloves (included)

# IMPORTANT

---

**How many people needed for the installation work?**

**Requires three or four people and takes 7-10 hours for installation.**



## PLAN AHEAD

---

### Site Selection

Avoid overhanging trees as much as possible as leaves will make regular cleaning necessary and broken branches are a potential hazard.

Small trees, bushes or fences nearby can be helpful, acting as a wind break.

### Site Preparation

The site must be prepared so that the base of the shed is level all round and checking with a spirit level is required.

The base can be constructed by treated timber or concrete, in order to stop the moisture getting into the shed.

**The shed is not designed to be built on the lawn directly.** Also the ground will get muddy during rainy days. If a concrete pad is made, it is important that this slopes towards the edges to prevent water ingress.

Time must be allowed for any concrete or cement to dry before building the shed on top.

Bases can also be constructed from bricks, blocks, or mounted on a concrete pad.

The bricks or blocks should be cemented onto firm and level concrete footings and the greenhouse frame drilled and screwed to the base.

## IMPORTANT NOTES:

---

Find someone to help you: it is much easier with someone to hold parts, pass tools ect. Also some steps require two people to lift structures together. This is not very heavy work so would suit most able-bodied people.

Allow plenty of time: rushing often causes errors and the re-doing of incorrect assemblies. If you have never built a shed before, it can take most of a day to carefully complete the construction.

Have the right tools in hand.

Safety clothing as recommended in the 'Tools' section.

Ideally let out the parts and check that all are present before commencing construction. Lay on cloths or plastic sheets if there is any risk of scratching the parts.

Tighten all nuts carefully, being sure not to miss any. Check the frame is square and using a spirit level to check that it is upright.

For your safety concern, please do not stand under the metal shed in heavy wind or snow days.

For safety, please use expansion screws to reinforce the posts to the ground.

Please clear the snow off the roof in time if there is a heavy snowfall.

Make sure all screws are tightened before use. Repeat to confirm all screws, buckles and straps are tightened every 90 days.

Please keep all screws loose during the assembly process and tighten them after completing the installation.

Do not use or store objects in the Metal Shed with open flames or flammable chemicals.

Please note that some parts have sharp edges and should be handled with gloves.

If any parts are missing, broken, damaged or worn, discontinue use of the product until repairs are made or factory replacement parts are installed.

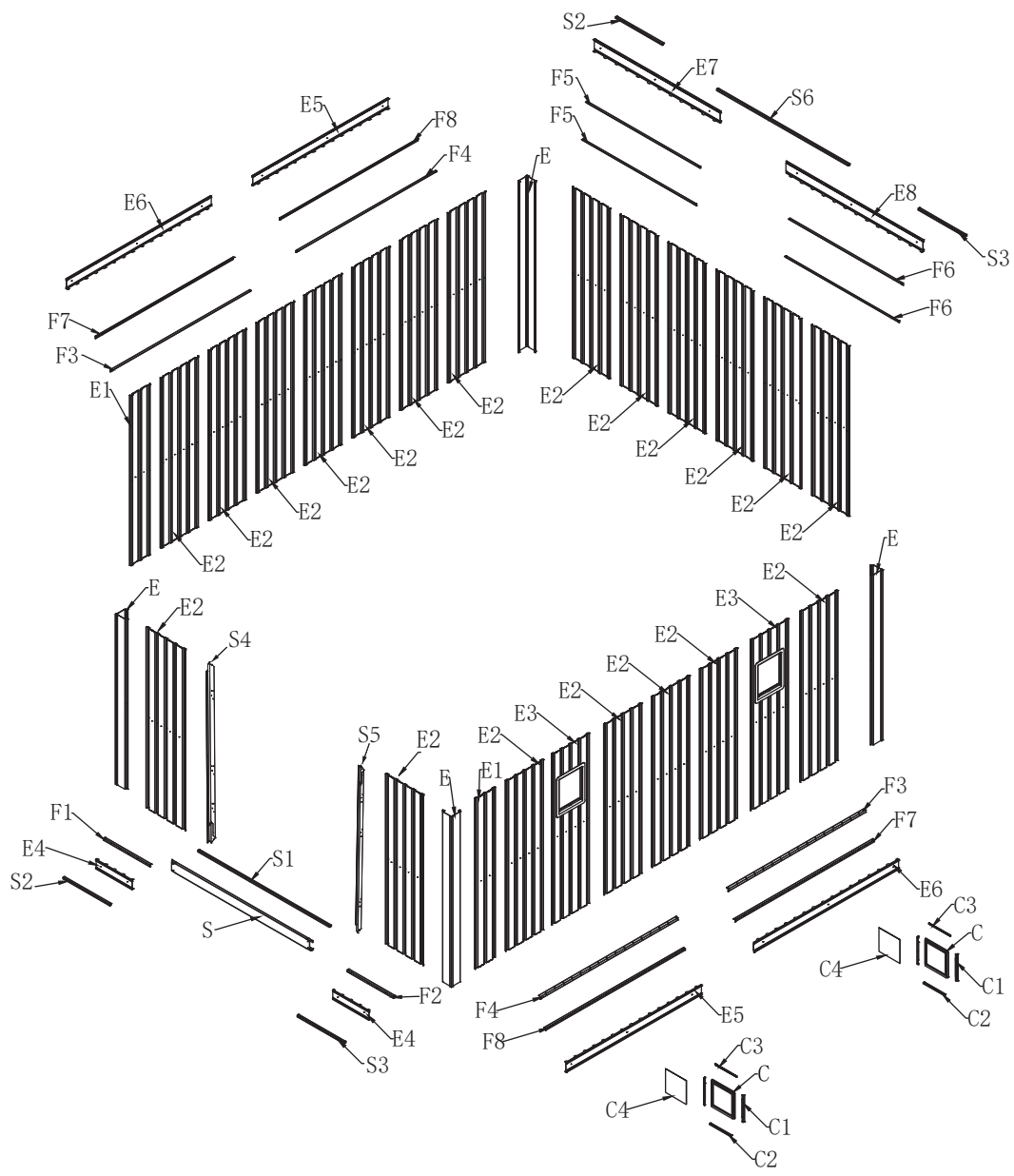
Failure to install the product according to the manufacturer's instructions may void the warranty policy for this product.



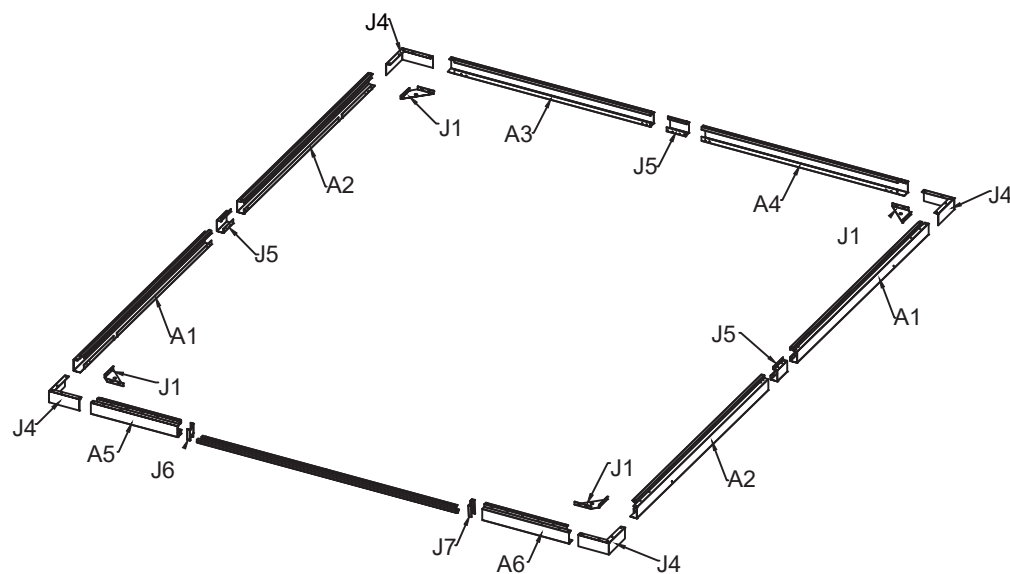
**PARTS**

Before installation, please place the parts in the position as shown in the figure below.

NO.	Qty
E	4
E1	2
E2	20
E3	2
E4	2
E5	2
E6	2
E7	1
E8	1
C	2
C1	4
C2	2
C3	2
C4	2
F1	1
F2	1
F3	2
F4	2
F5	2
F6	2
F7	2
F8	2
S	1
S1	1
S2	2
S3	2
S4	1
S5	1
S6	1



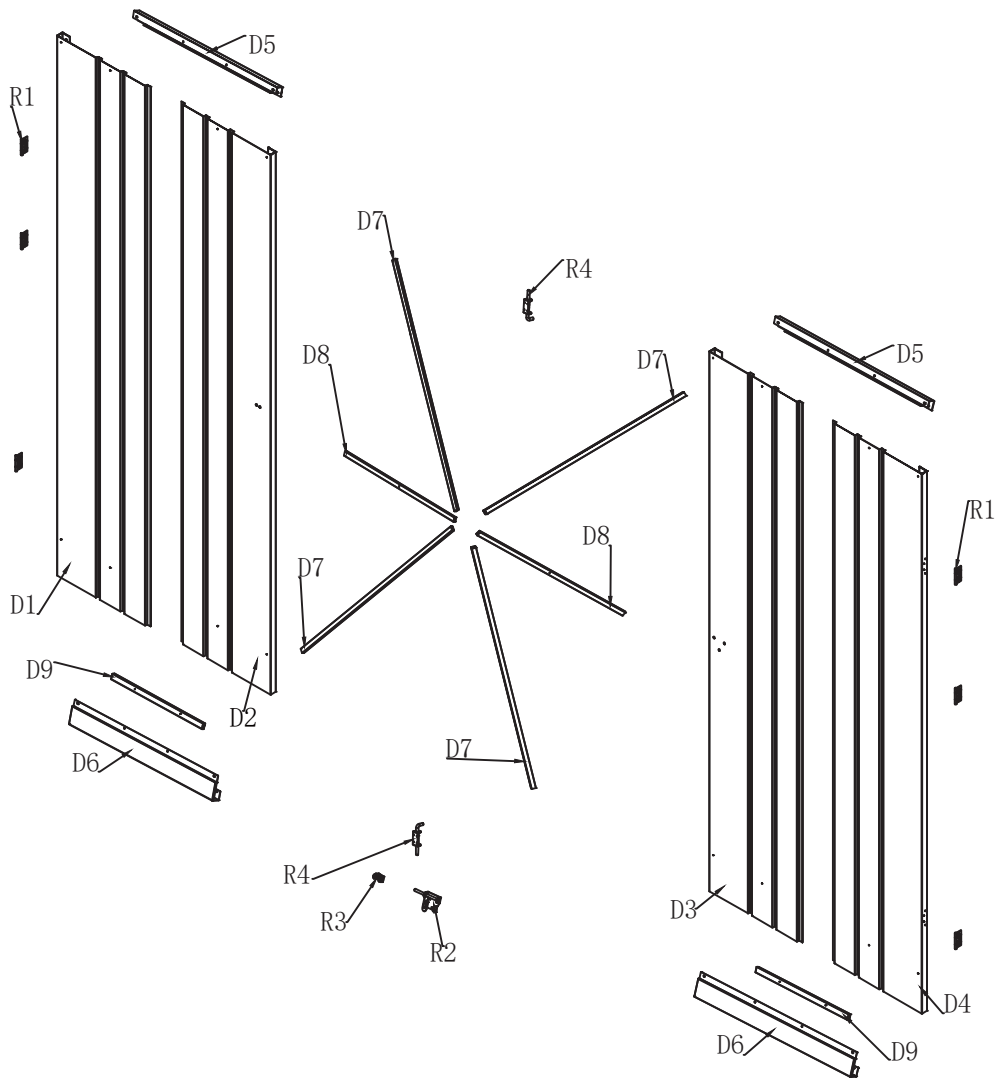
NO.	Qty
A1	2
A2	2
A3	1
A4	1
A5	1
A6	1
J1	4
J4	4
J5	3
J6	1
J7	1



**PARTS**














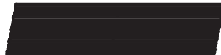











Before installation, please place the parts in the position as shown in the figure below.

Door	
NO.	Qty
D1	1
D4	1
D2	1
D3	1
D5	2
D6	2
D7	4
D8	2
D9	2
R1	6
R2	1
R3	1
R4	2


















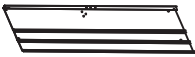








# Parts list

MSS-98901

NO.	Qty	Part Image
A1	2	
A2	2	
A3	1	
A4	1	
A5	1	
A6	1	
A7	1	
J4	4	
J5	3	
J6	1	
J7	1	
E	4	
E1	2	
E2	20	
E3	2	
E4	2	
E5	2	
E6	2	
E7	1	
E8	1	
C	2	
C1	4	
C2	2	
C3	2	
C4	2	





















# Parts list

MSS-98901

NO.	Qty	Part Image
F1	1	
F2	1	
F3	2	
F4	2	
F5	2	
F6	2	
F7	2	
F8	2	
S	1	
S1	1	
S2	2	
S3	2	
D1	1	
D4	1	
D2	1	
D3	1	
D5	2	
D6	2	
D7	4	
D8	2	
D9	2	
S4	1	
S5	1	
S6	1	










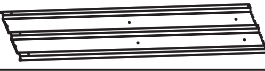







# Parts list

MSS-98901

NO.	Qty	Part Image
K1	2	
K2	2	
K3	2	
K4	2	
K5	2	
K6	2	
K7	2	
K8	2	
K9	2	
K10	2	
K11	2	
K12	2	
B1	2	
B2	2	
B3	2	
L1	2	
L2	2	
L3	2	
L5	2	
L6	2	







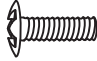





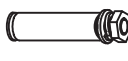
# Parts list

MSS-98901

NO.	Qty	Part Image
M1	2	
M2	2	
M3	2	
M4	2	
N1	2	
N2	1	
N3	2	
Q1	14	
Q2	2	
Q3	2	
G	2	
R1	6	
R2	1	
R3	1	
R4	2	
G4	4	
V2	2	

# HARDWARE

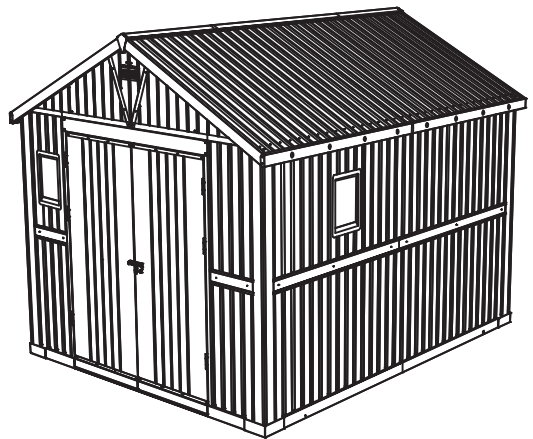
MSS-98901

NO.	Description	Qty	Extra	Part Image
H1	M4*10mm bolt	764	70	
H2	M4*14mm bolt	51	6	
H3	M4 nut	51	6	
H4	M4.2*16mm bolt	24	4	
H5	M5*12mm bolt	24	4	
H6	M5 nut	29	4	
H7	M5*10mm bolt	5	2	
H8	M4*15mm bolt	4	1	
T1	Washer	808	30	
T2	Screw Cove	780	30	
J1	Corner Base	4		
J2	Stake	4		
J3	Expansion	4		

NOTE: The Windows(E3) can be installed in a variety of ways, and you can choose one to assemble.



&



&

&



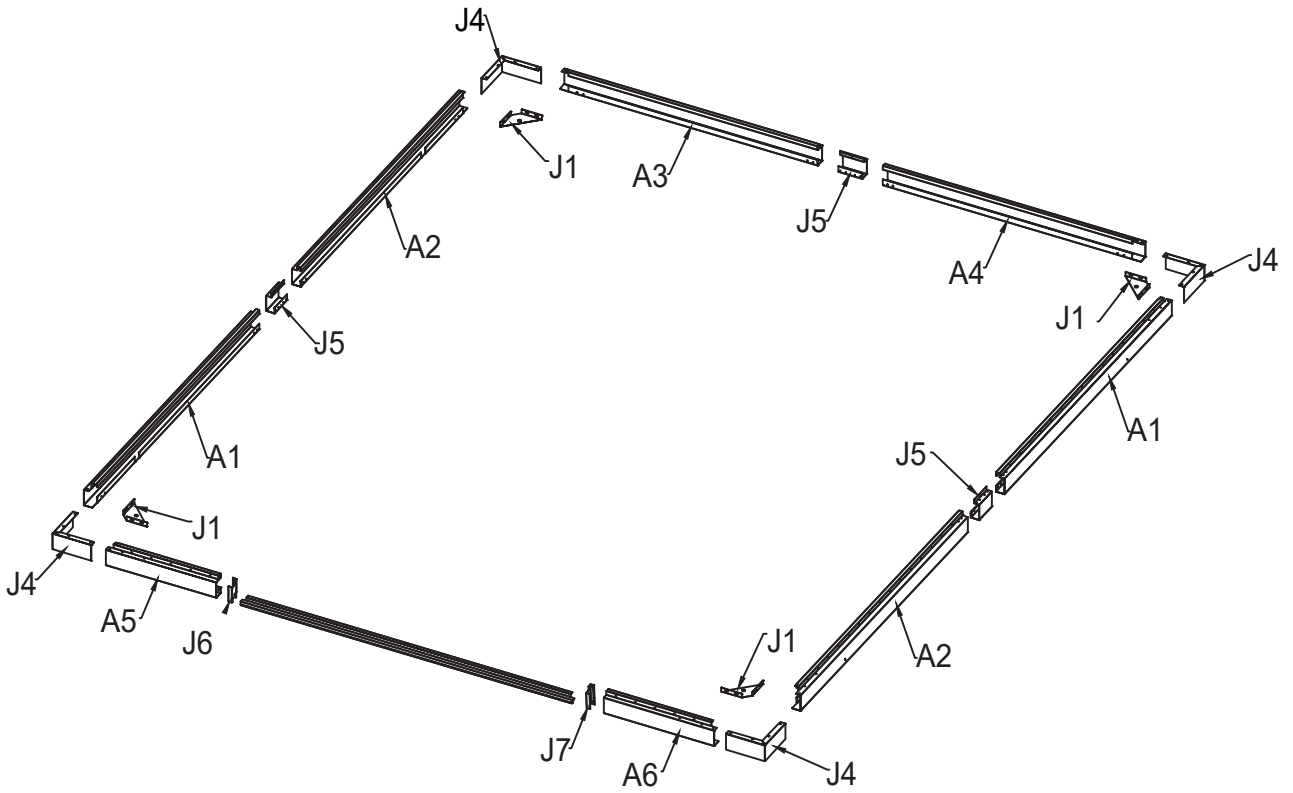
&














**Base Exploded View**

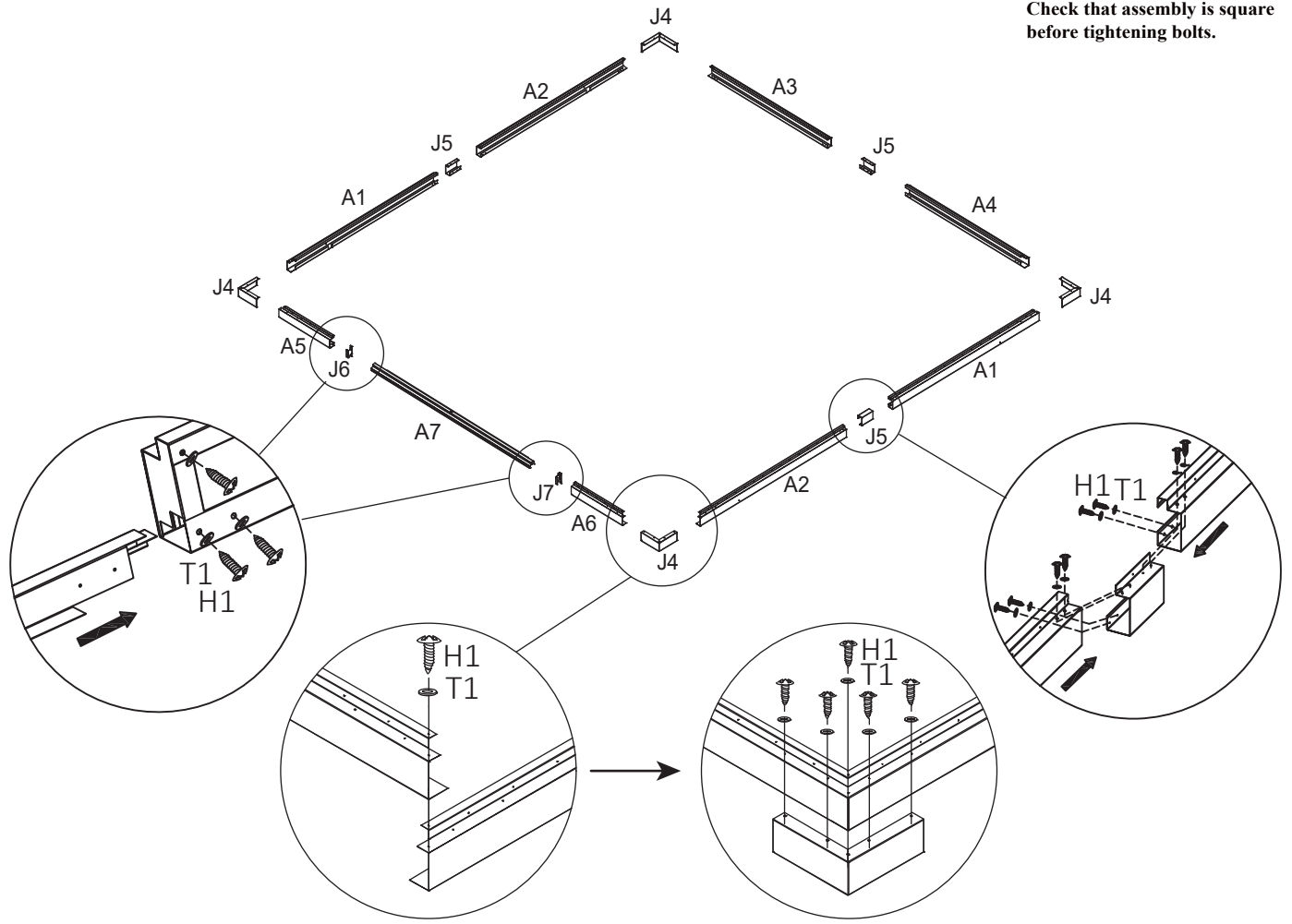
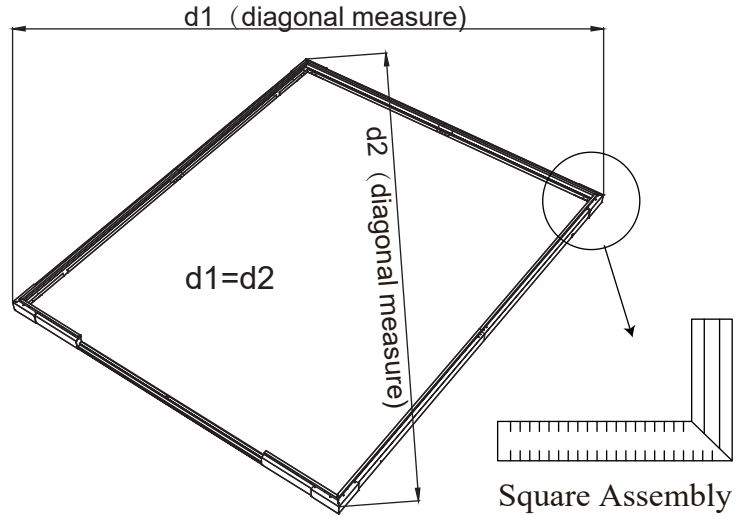
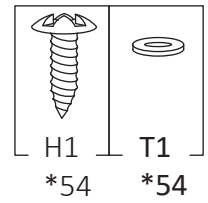
Before installation, please place the parts in the position as shown in the figure below.

NO.	Qty
A1	2
A2	2
A3	1
A4	1
A5	1
A6	1
J1	4
J4	4
J5	3
J6	1
J7	1



# Step.1

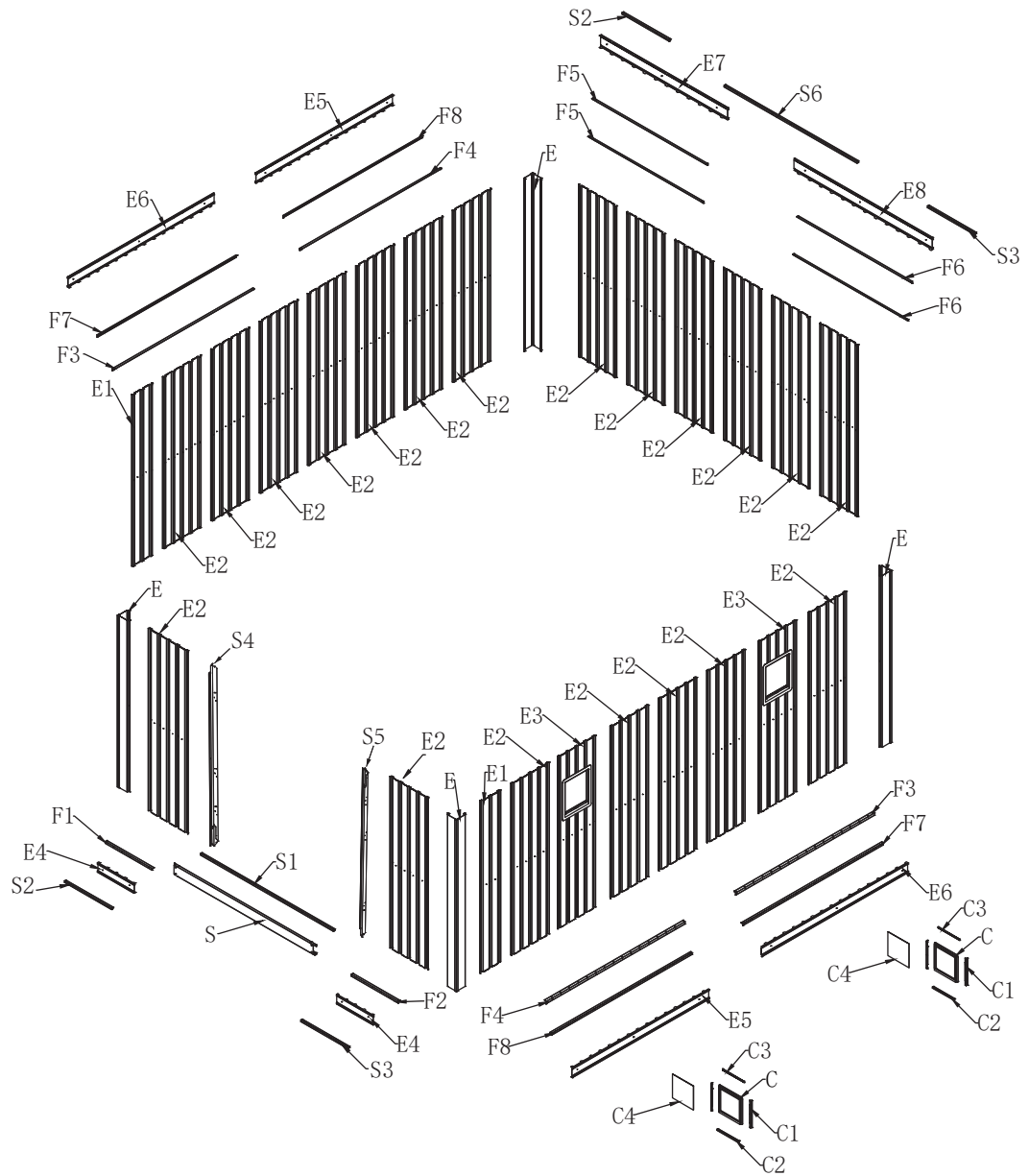
	A1*2
	A2*2
	A3*1
	A4*1
	A5*1
	A6*1
	A7*1
	J4 * 4
	J5 * 3
	J6 * 1
	J7 * 1



**Frame Exploded View**






Before installation, please place the parts in the position as shown in the figure below.

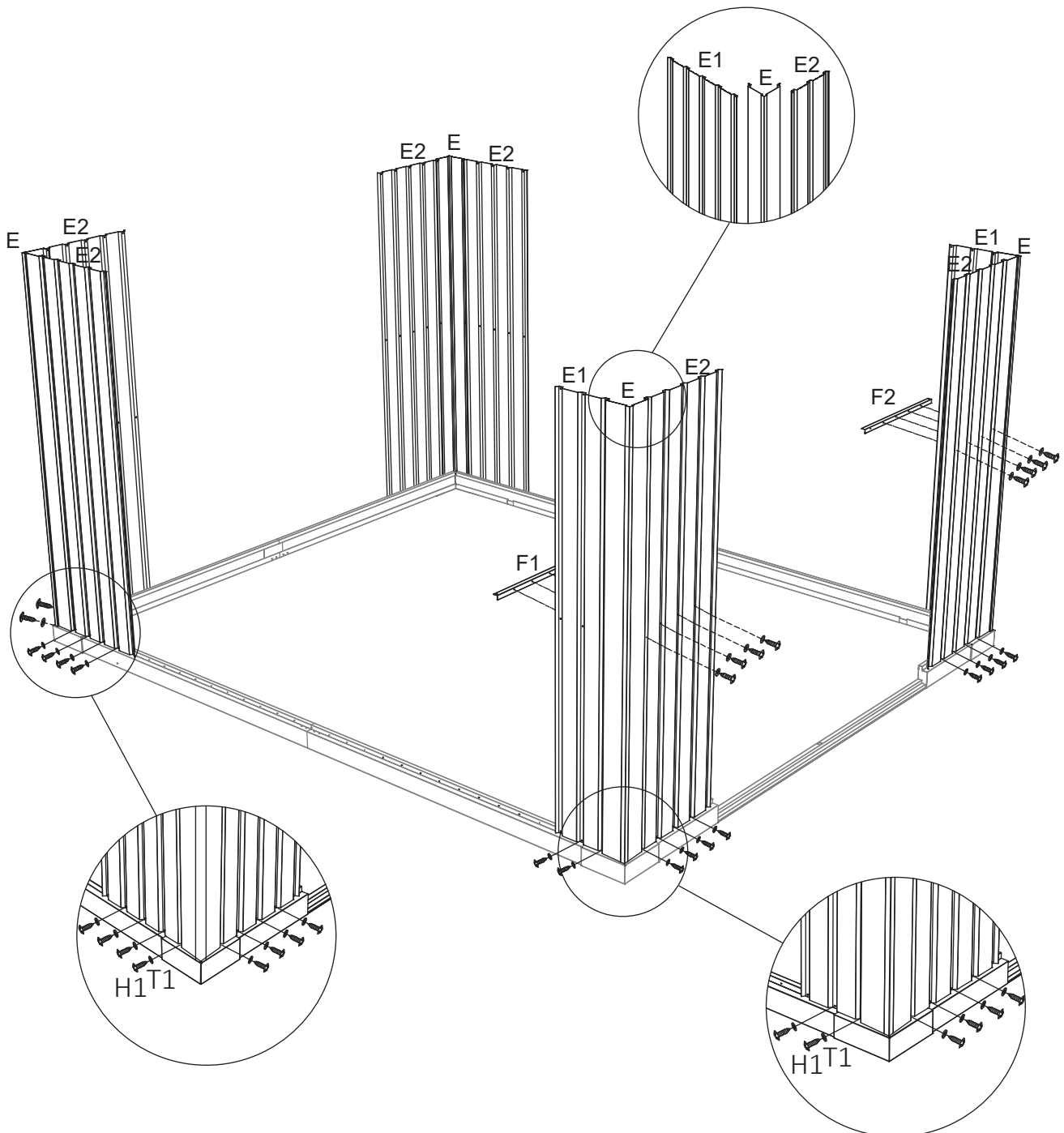
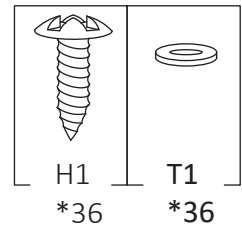
NO.	Qty
E	4
E1	2
E2	20
E3	2
E4	2
E5	2
E6	2
E7	1
E8	1
C	2
C1	4
C2	2
C3	2
C4	2
F1	1
F2	1
F3	2
F4	2
F5	2
F6	2
F7	2
F8	2
S	1
S1	1
S2	2
S3	2
S4	1
S5	1
S6	1



**Note:** Wood-color side should be facing out.

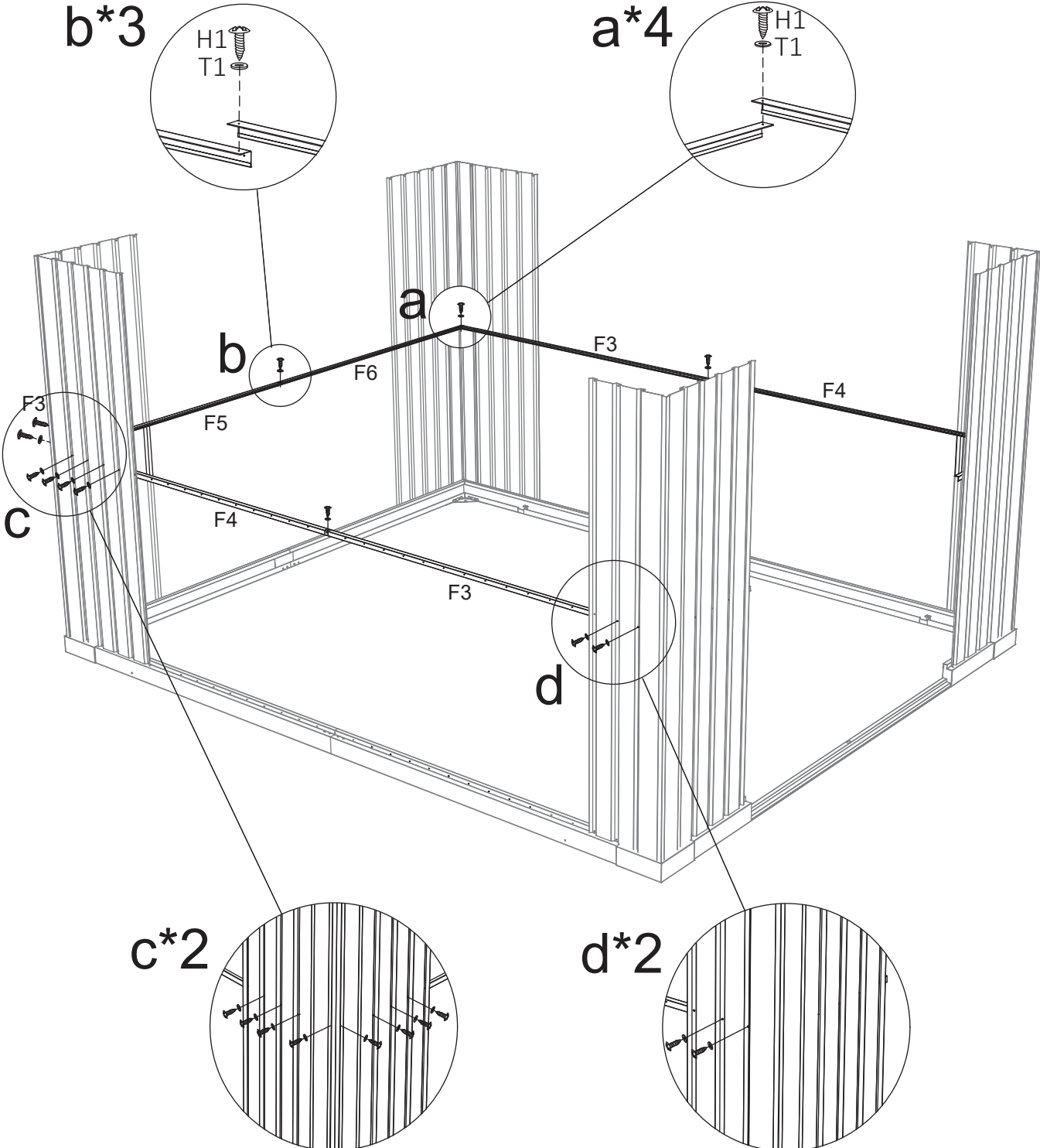
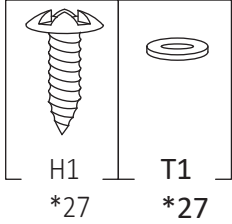
# Step.2

	E*4
	E1*2
	E2*6
	F1*1
	F2*1

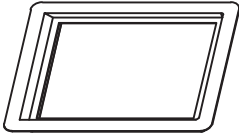
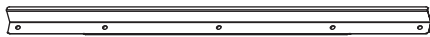



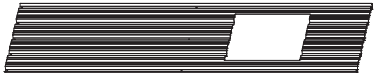


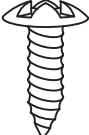

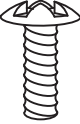

# Step.3

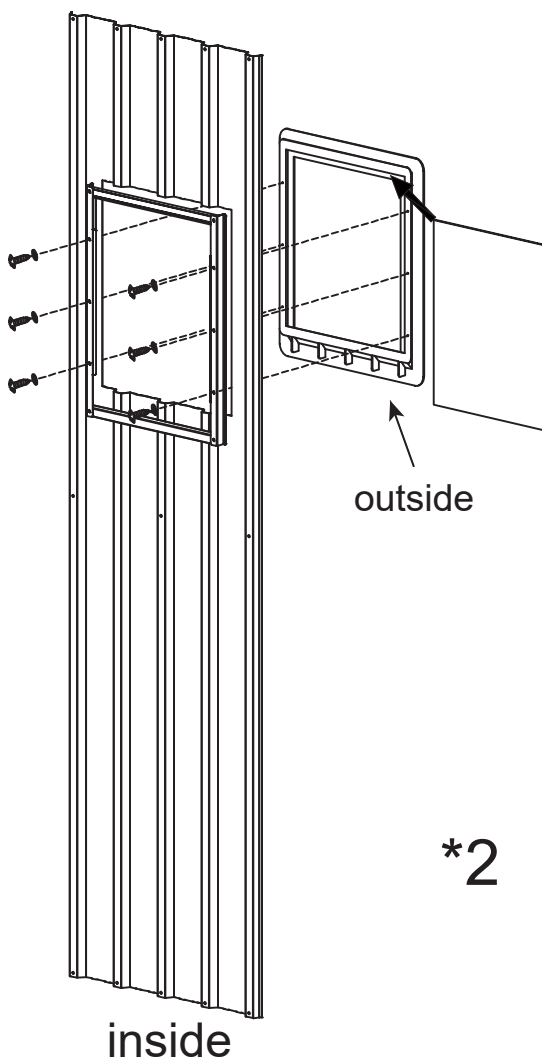
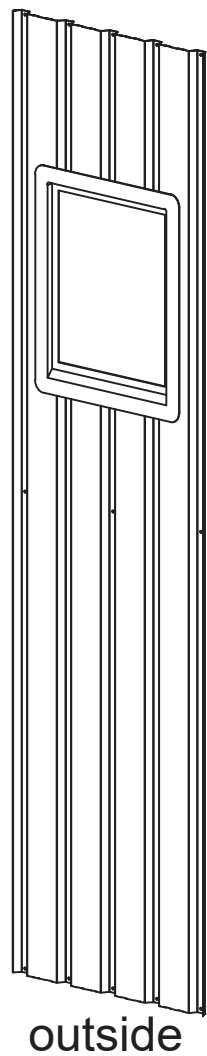
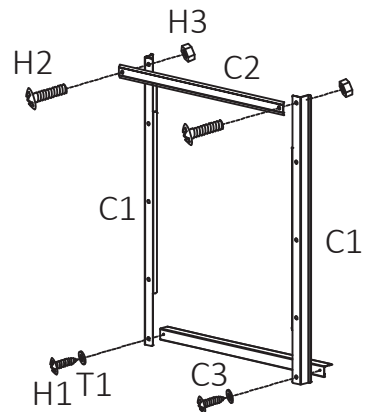
	F3*2
	F4*2
	F5*1
	F6*1



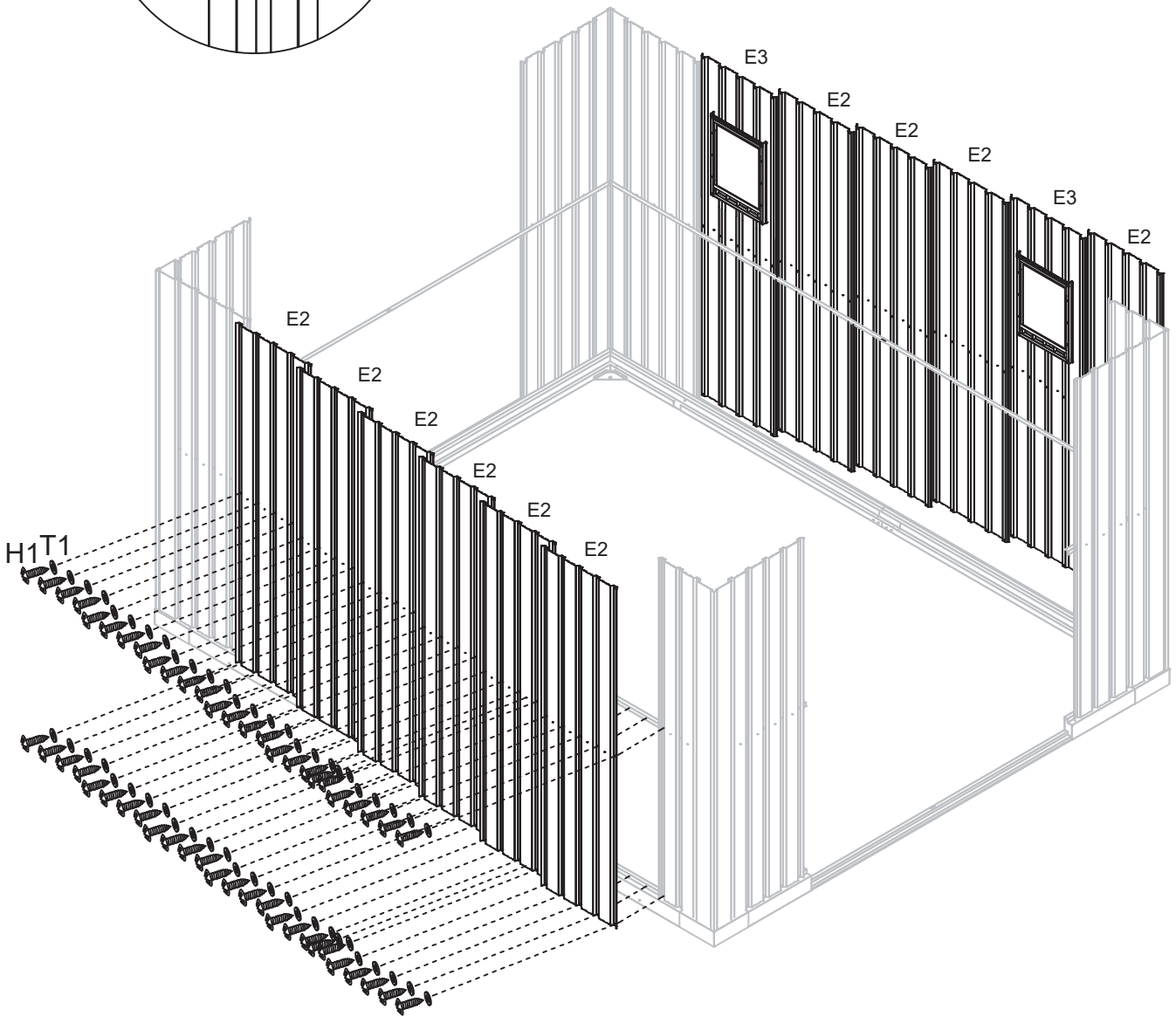
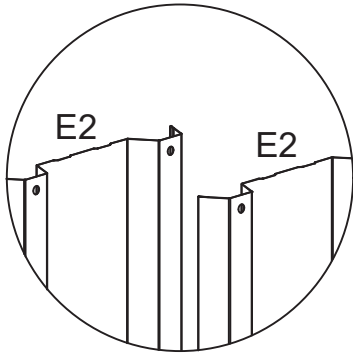
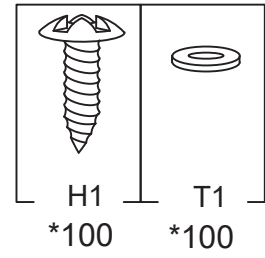
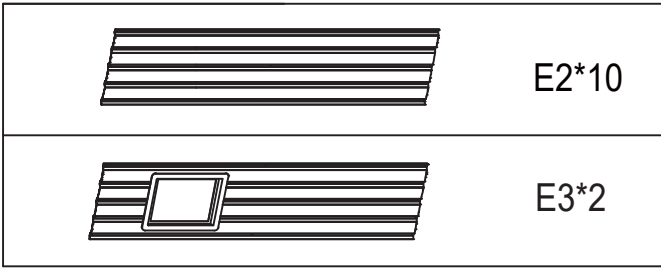
# Step.4

	C*2
	C1*4
	C2*2
	C3*2
	C4*2
	E3*2

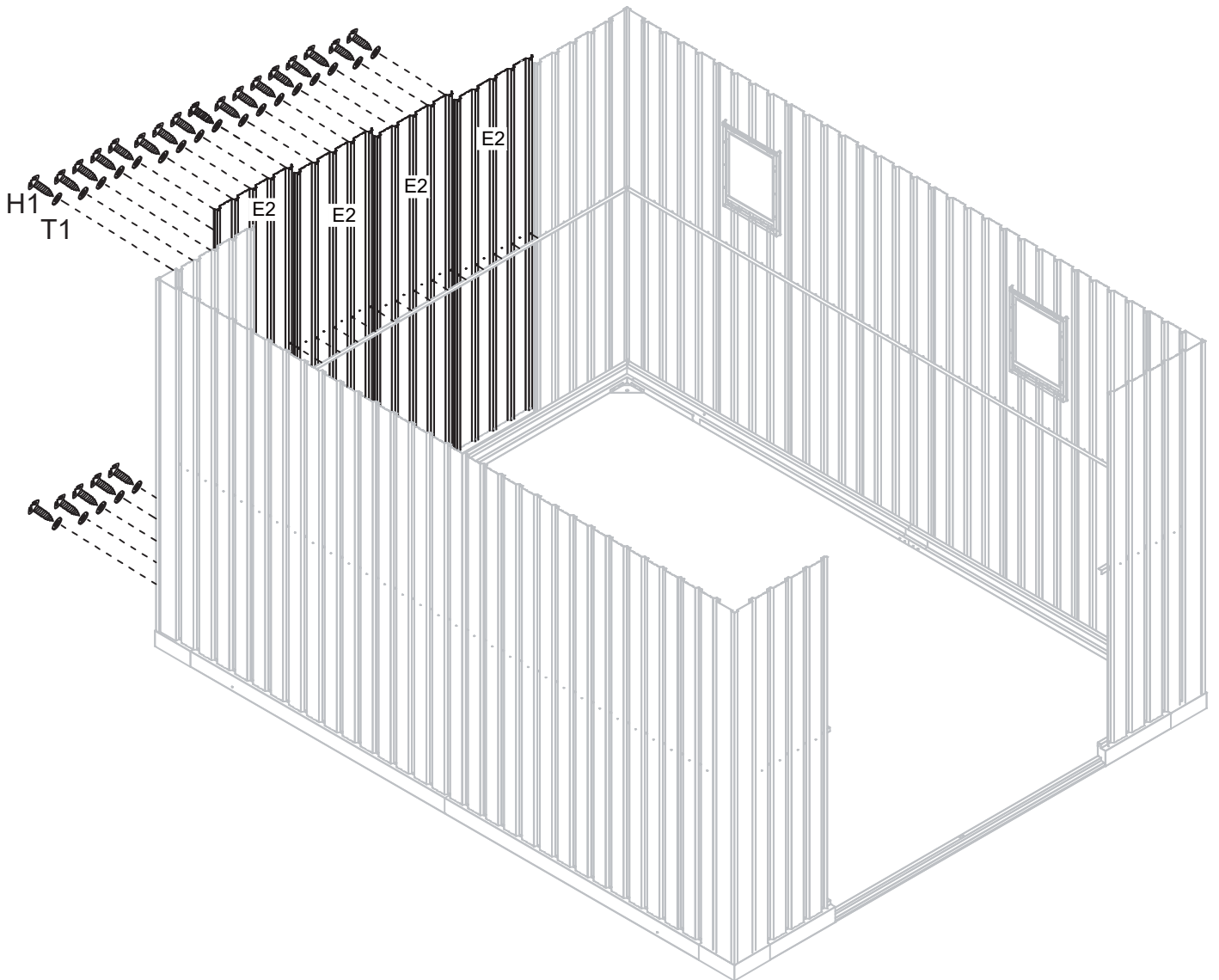
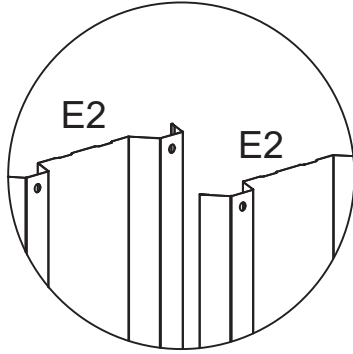
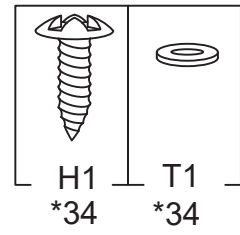
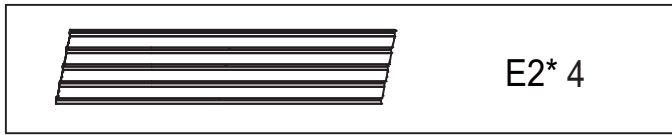
			
H1 *16	T1 *16	H2 *4	H3 *4





# Step.5

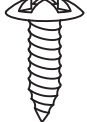



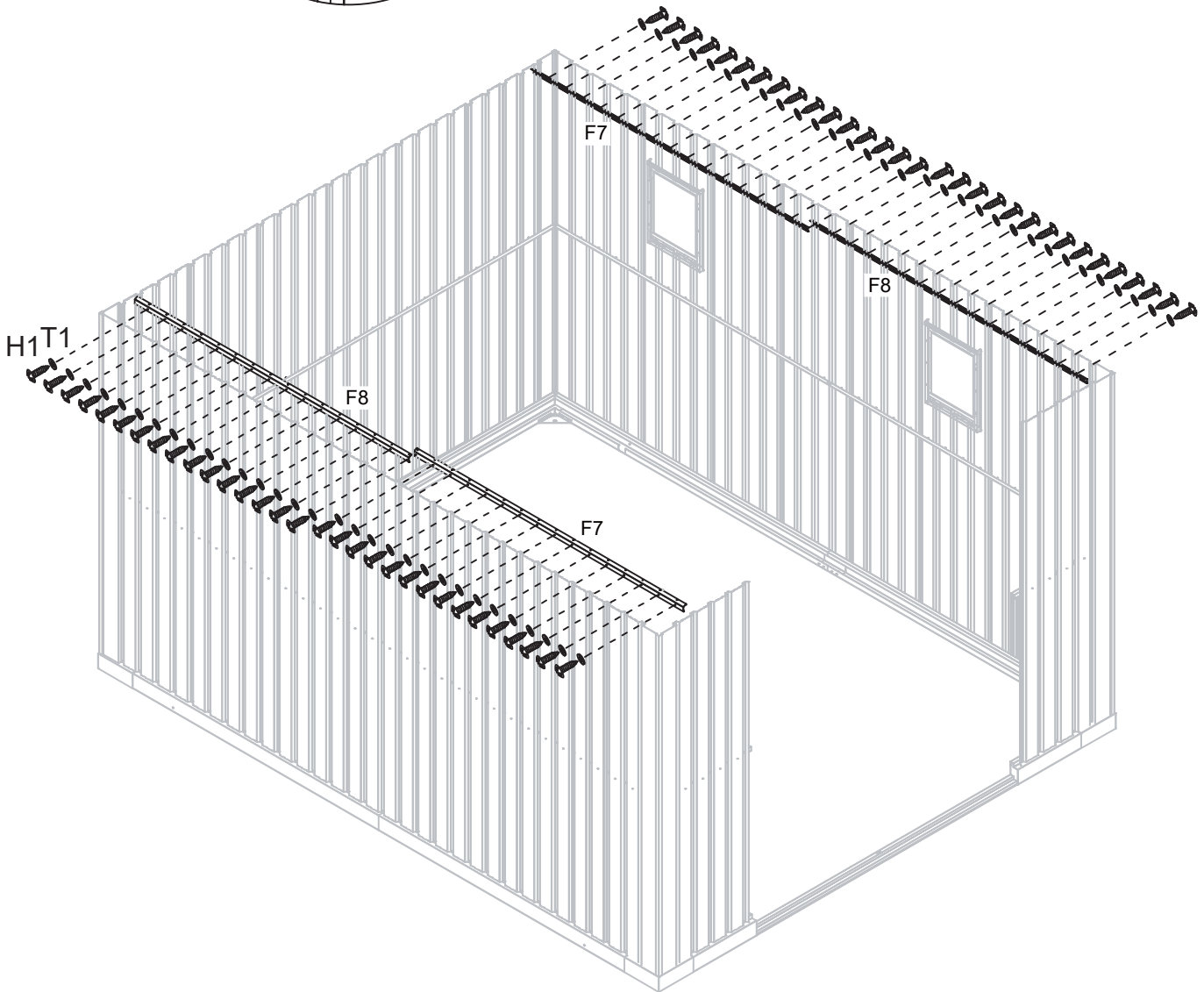
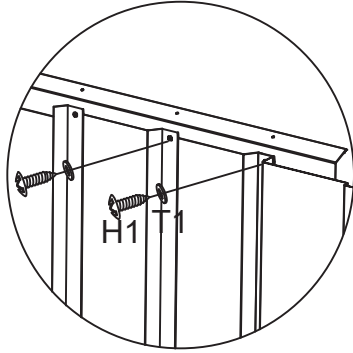
# Step.6



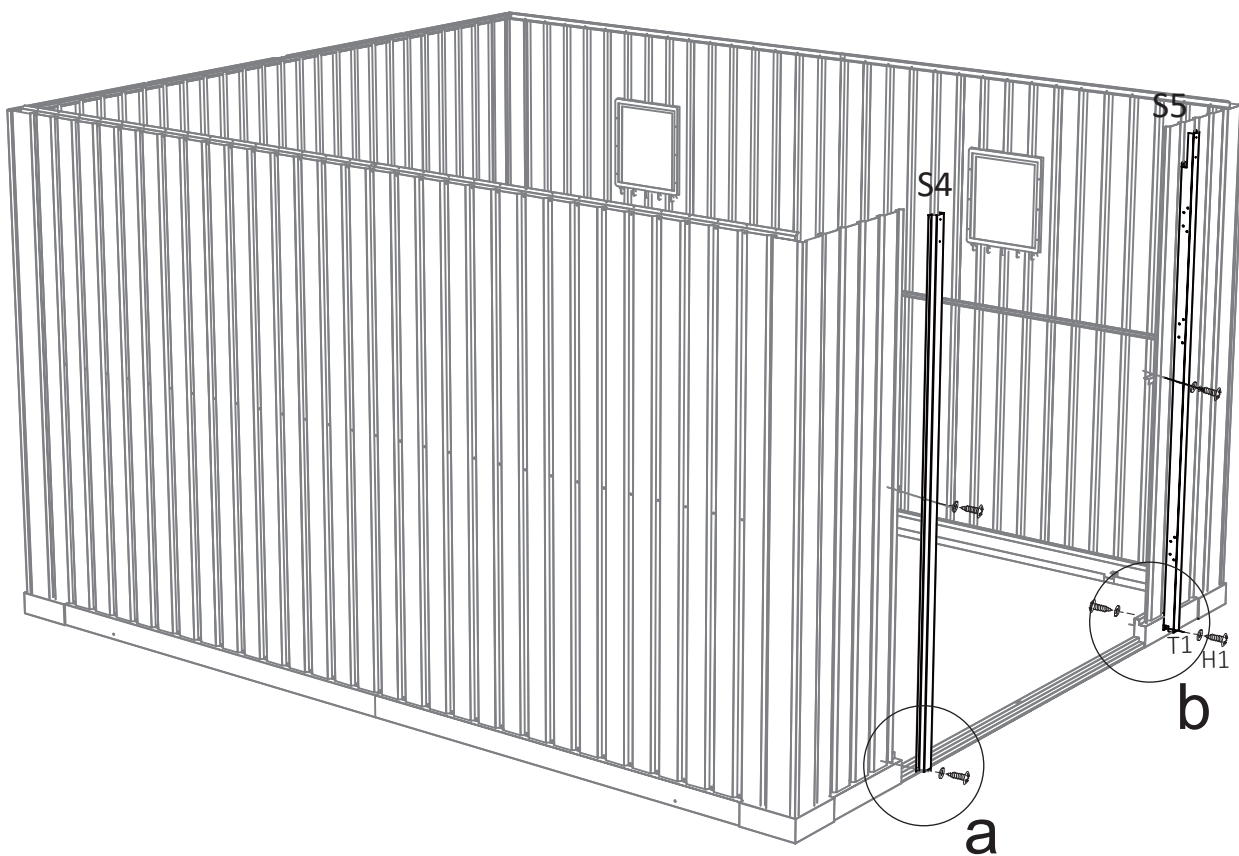
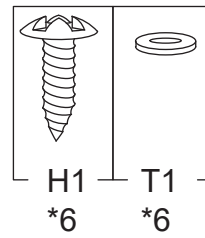
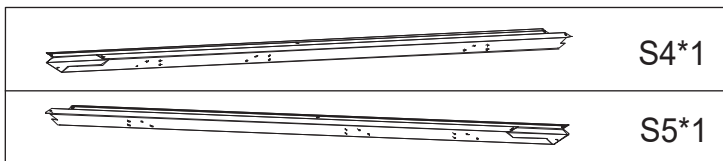
# Step.7

	F7*2
	F8*2

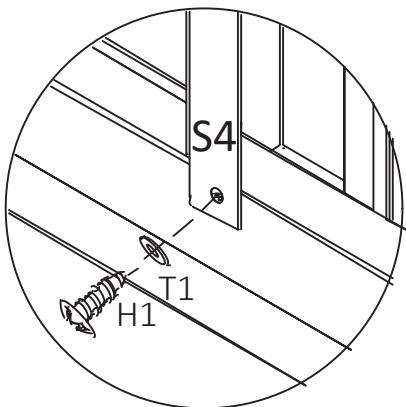
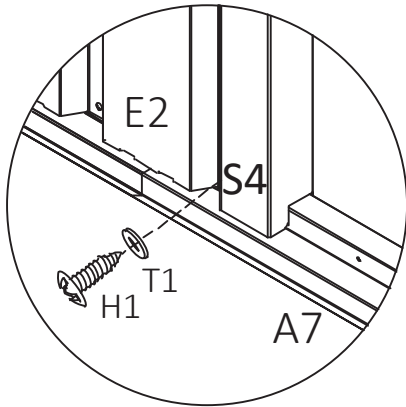
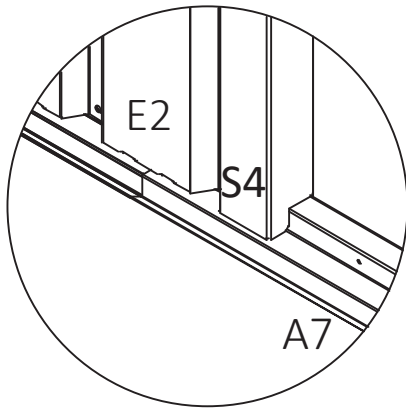
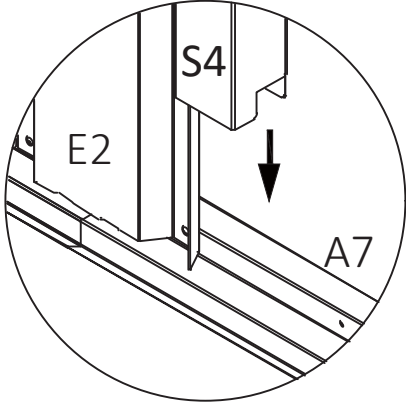
	
H1	T1
*62	*62



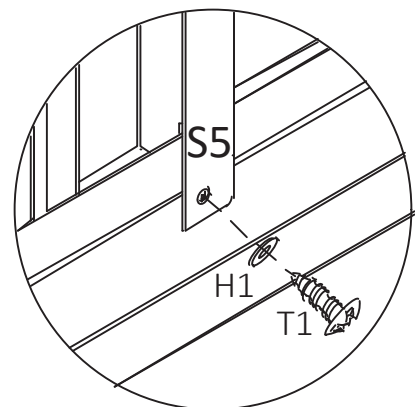
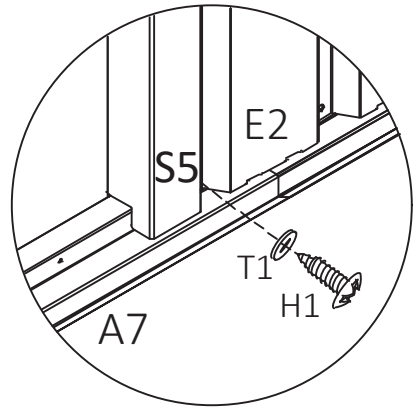
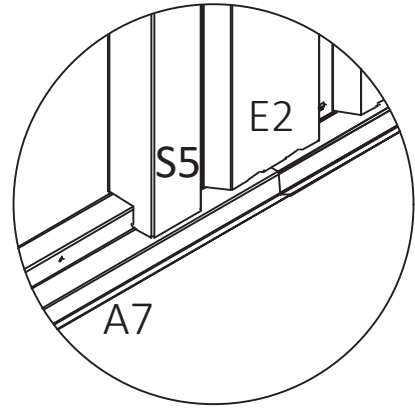
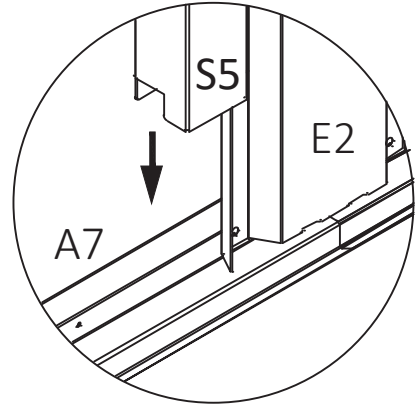
# Step.8



**a**

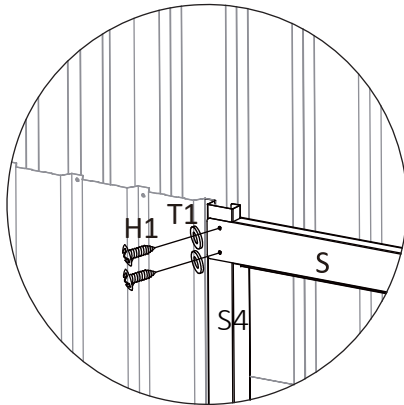
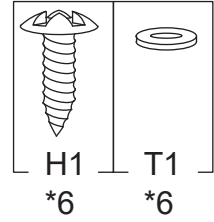
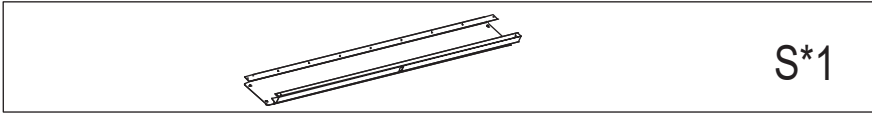


**b**

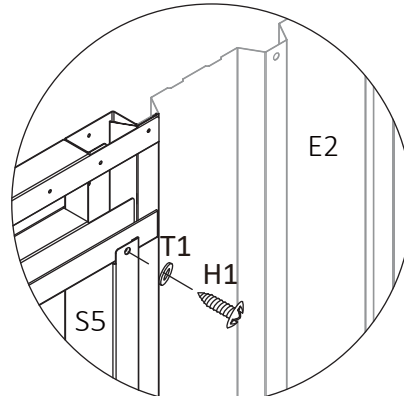


**inside**

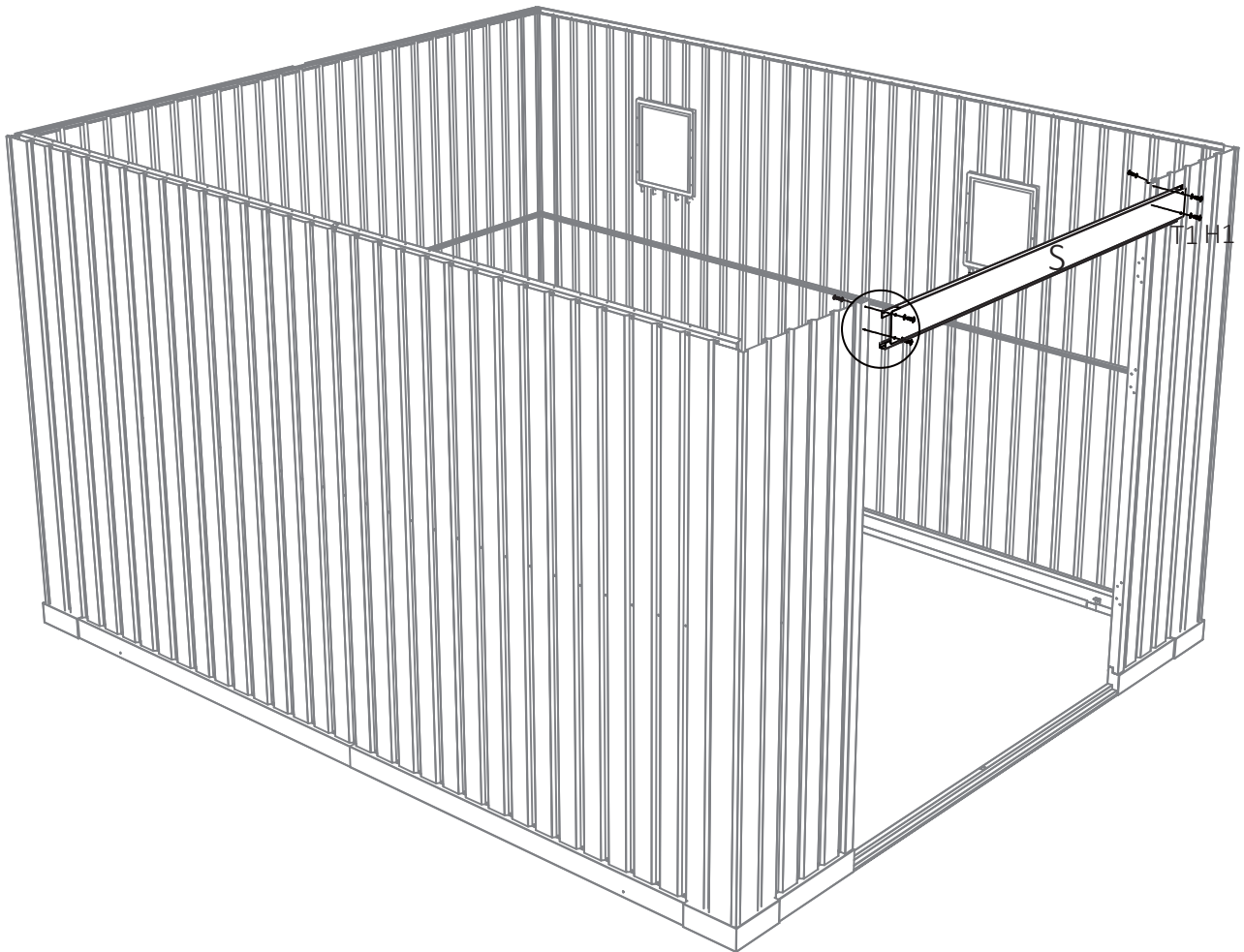
# Step.9








outside

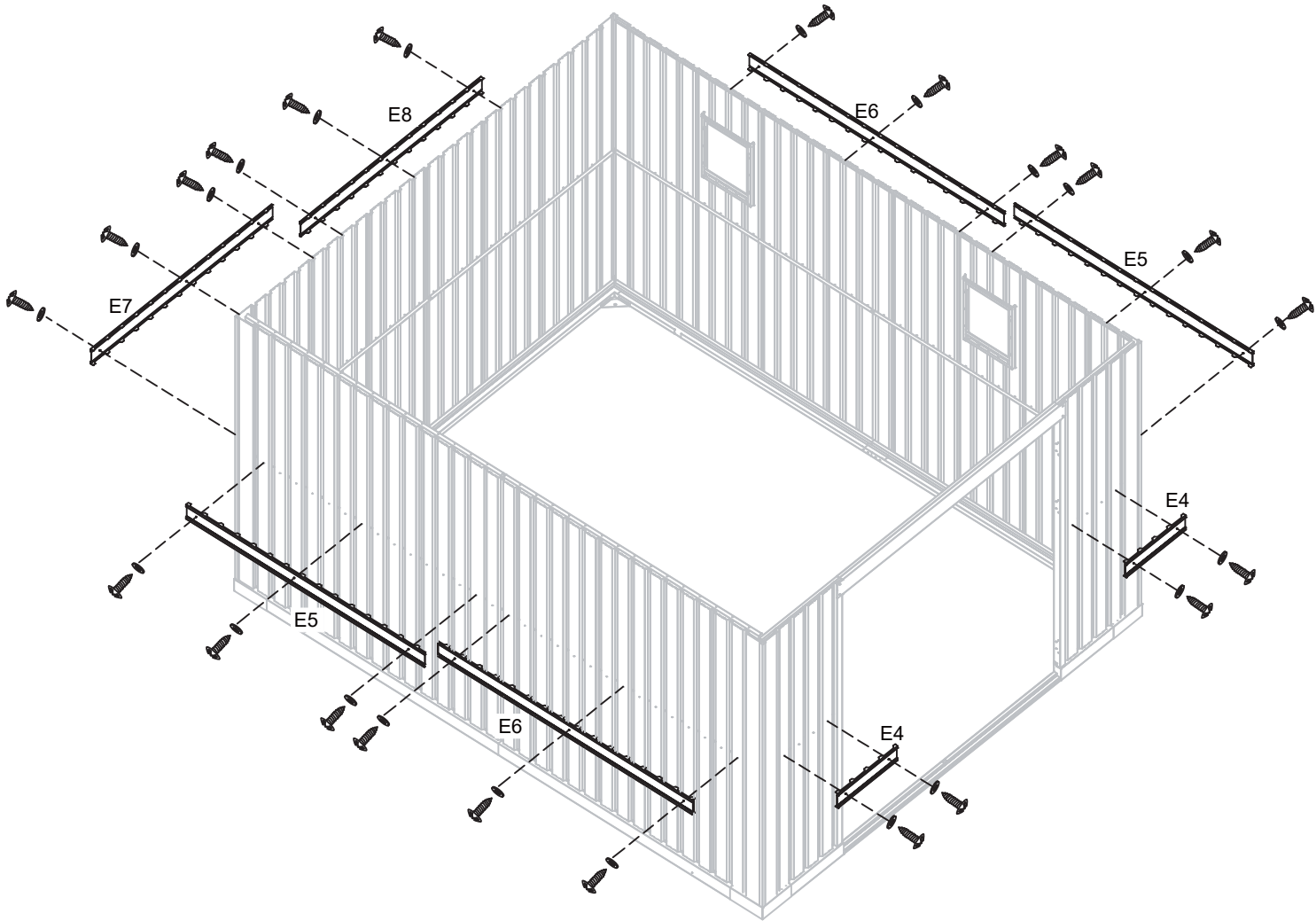
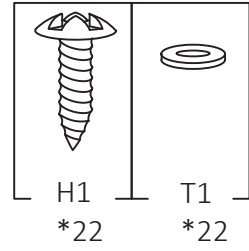


inside



# Step.10

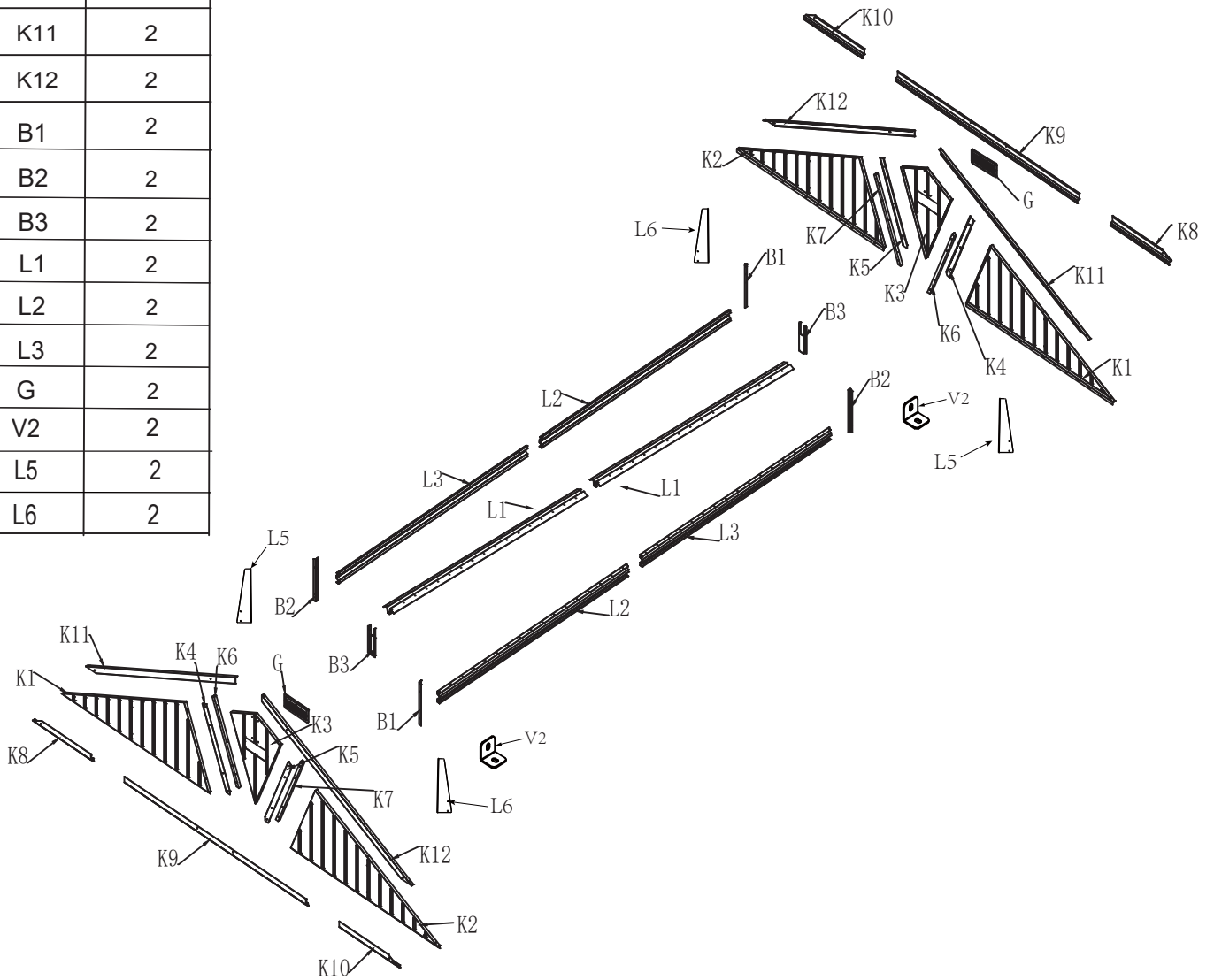
	E4*2
	E5*2
	E6*2
	E7*1
	E8*1



**Frame Exploded View**

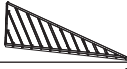
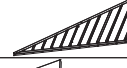



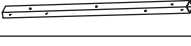




Before installation, please place the parts in the position as shown in the figure below.

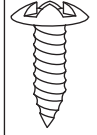
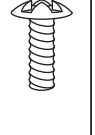


NO.	Qty
K1	2
K2	2
K3	2
K4	2
K5	2
K6	2
K7	2
K8	2
K9	2
K10	2
K11	2
K12	2
B1	2
B2	2
B3	2
L1	2
L2	2
L3	2
G	2
V2	2
L5	2
L6	2

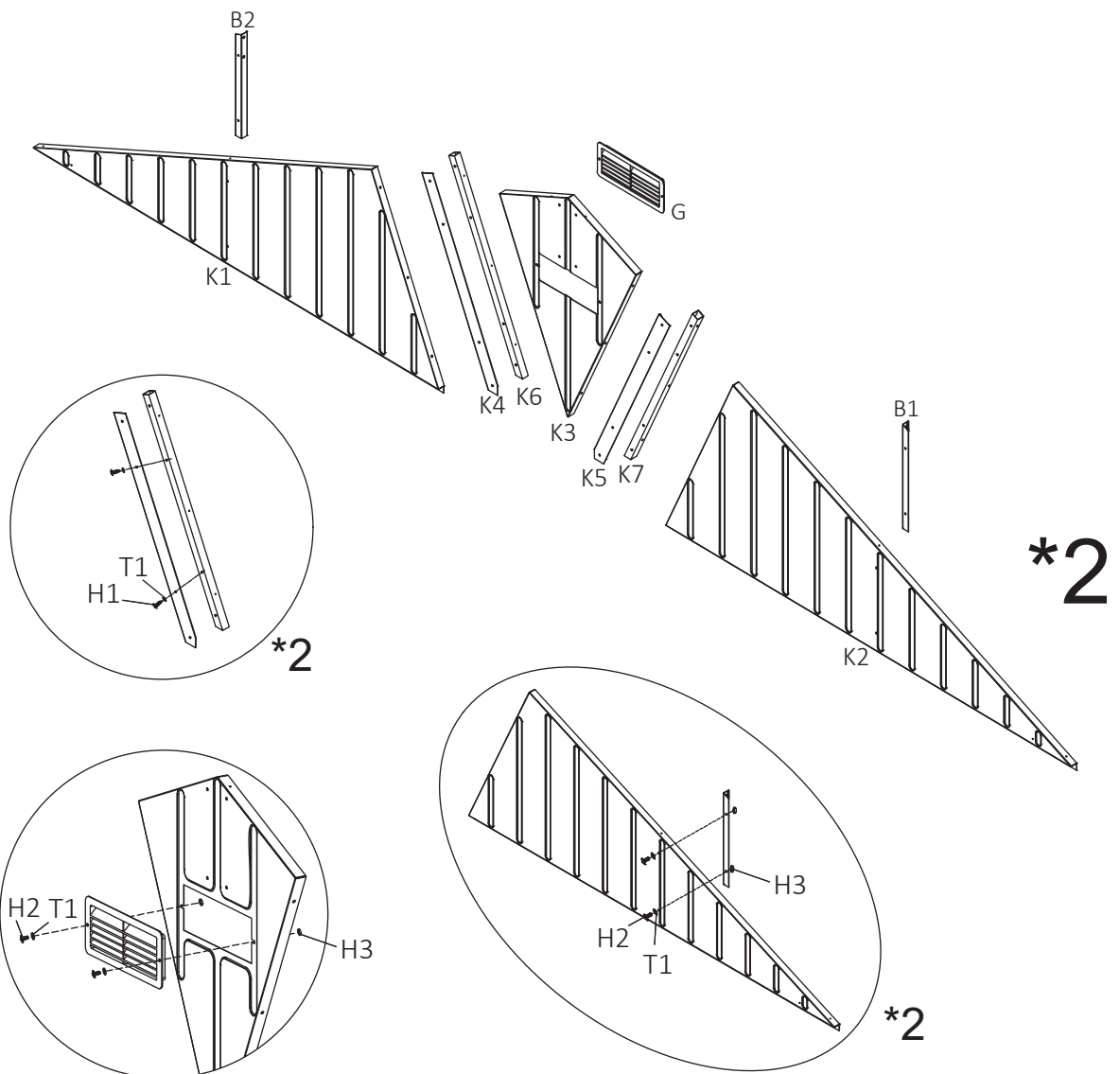


**Note:** Wood-color side should be facing out.

# Step.11

	K1*2
	K2*2
	K3*2
	K4*2
	K5*2
	K6*2
	K7*2
	G*2
	B1*2
	B2*2

			
H1	H2	T1	H3
*8	*12	*20	*12

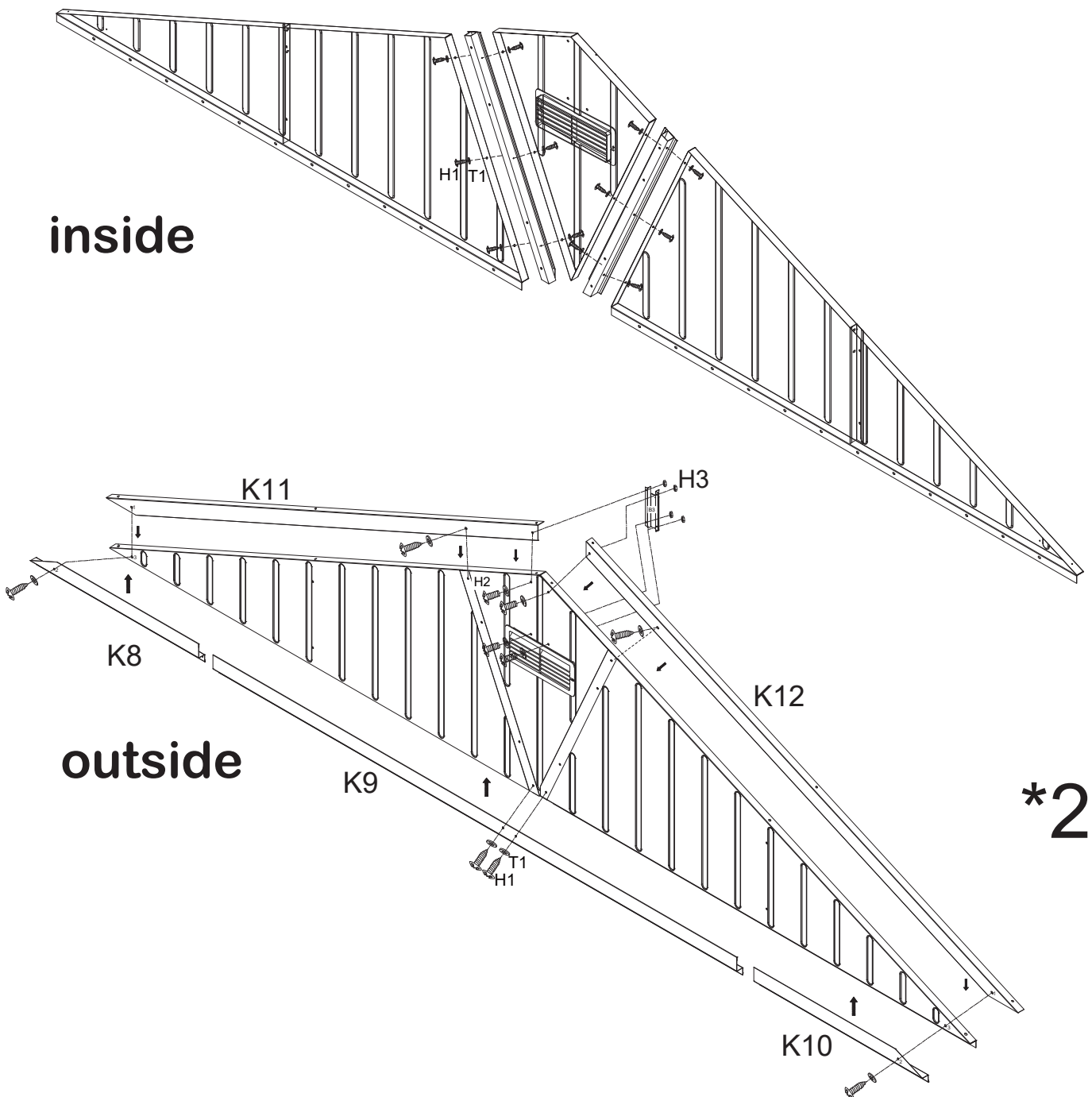


# Step.12

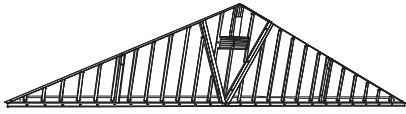





	K8*2
	K9*2
	K10*2
	K11*2
	K12*2
	B3*2

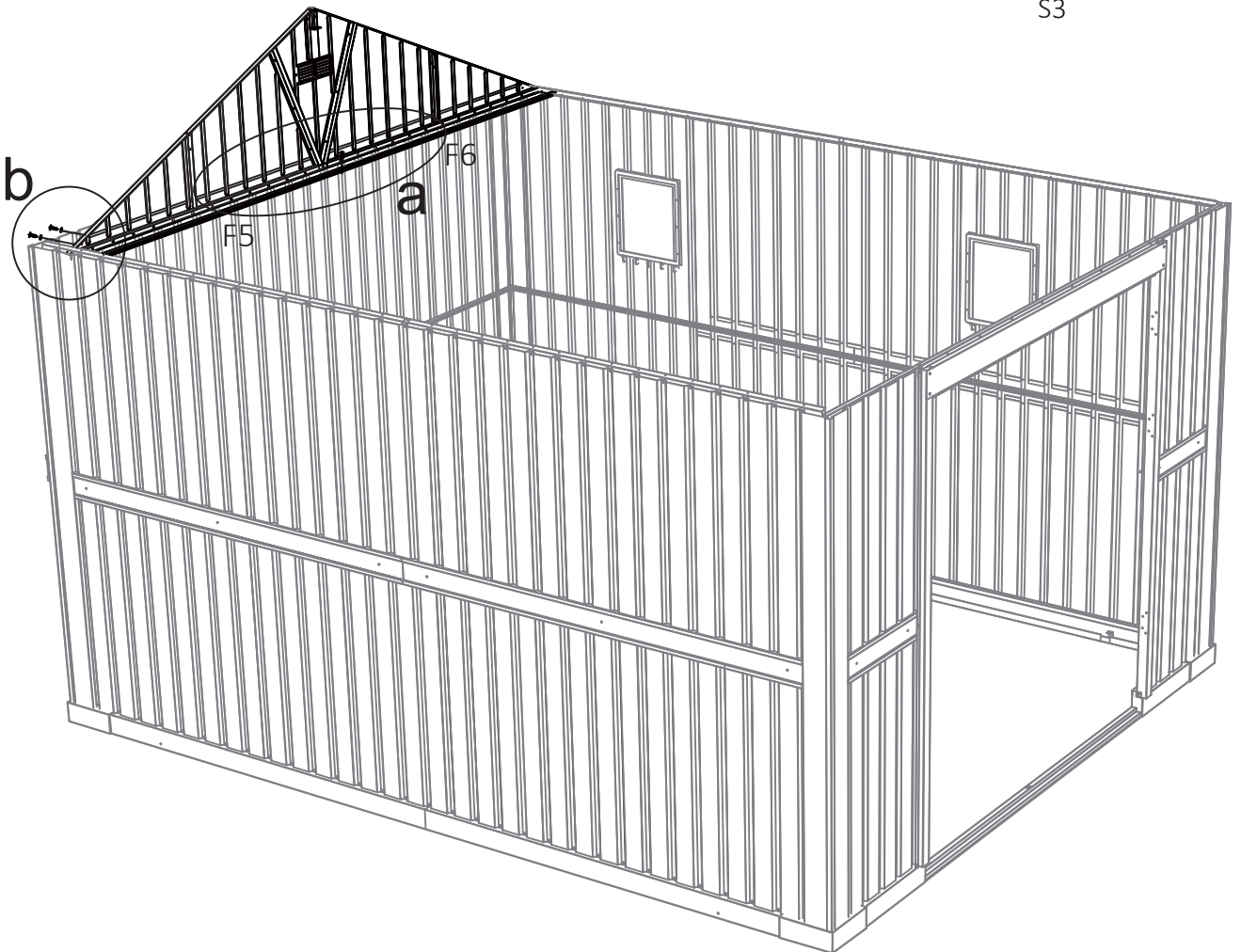
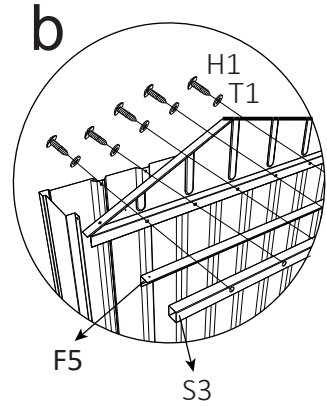
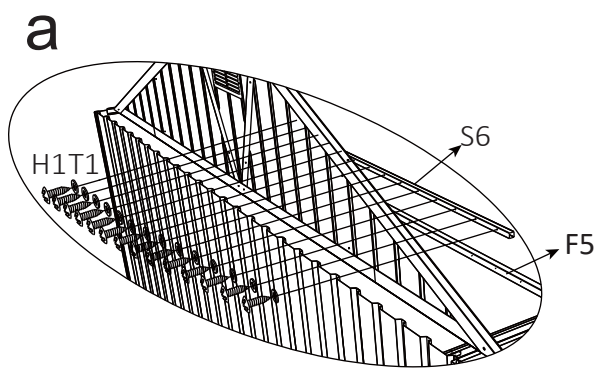
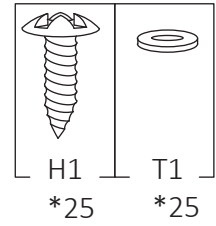
H1 *36	H2 *8	T1 *44	H3 *8

inside







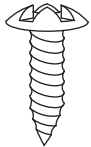

# Step.13

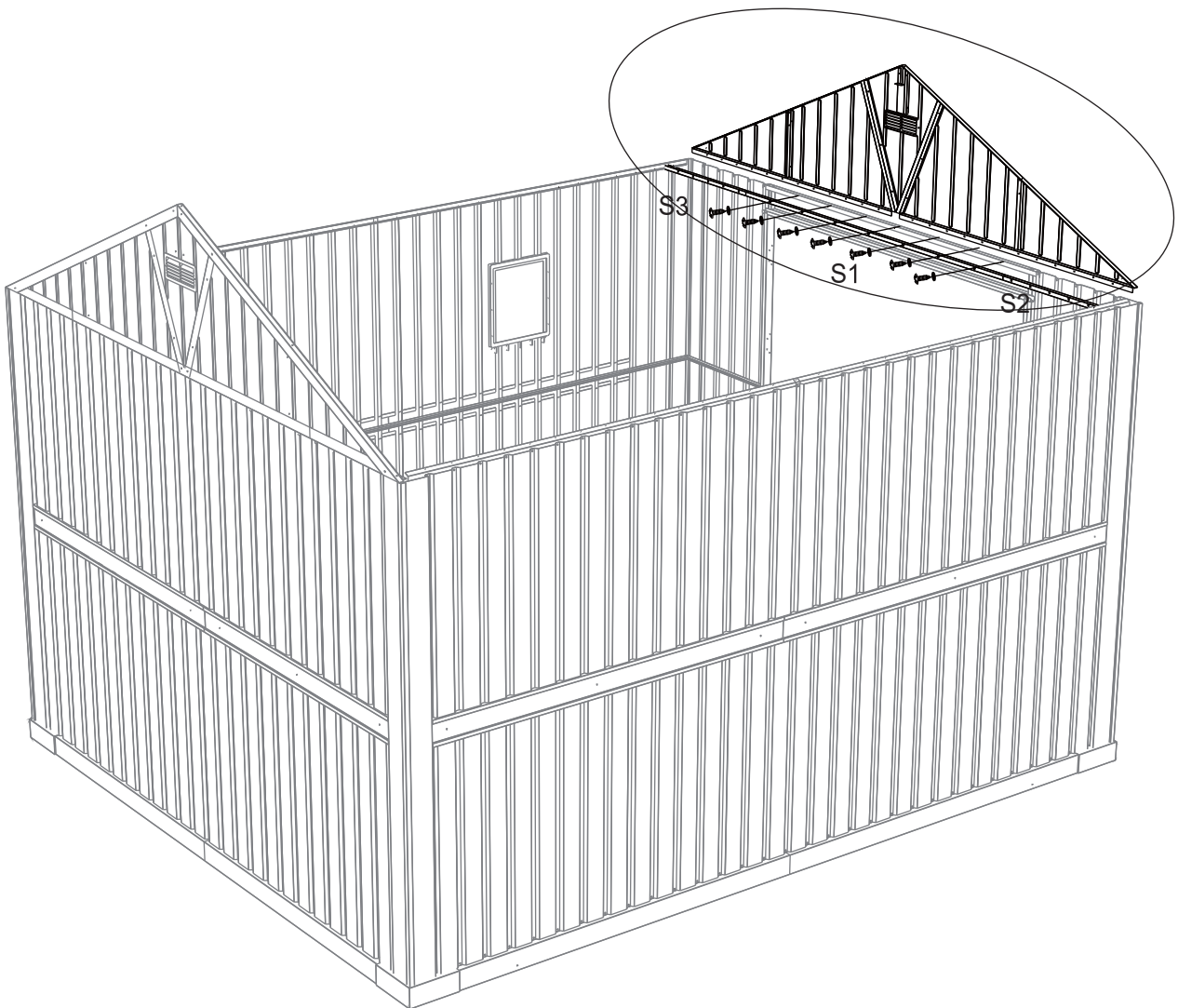
	*1
	F5*1
	F6*1
	S6*1
	S2*1
	S3*1



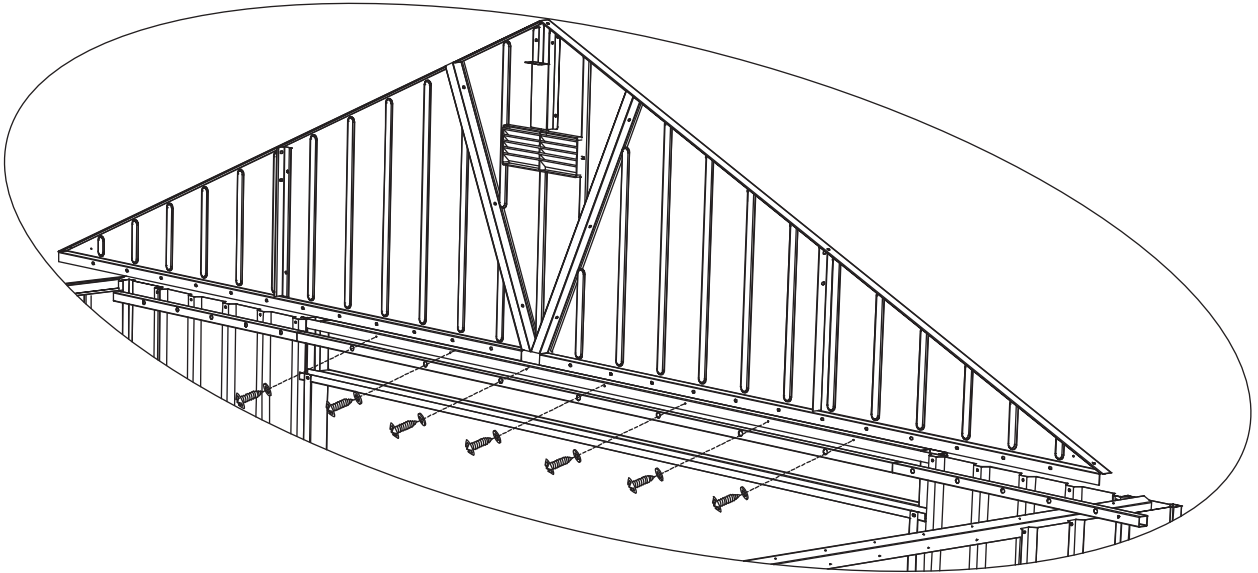
# Step.14

	*1
	S1*1
	S2*1
	S3*1

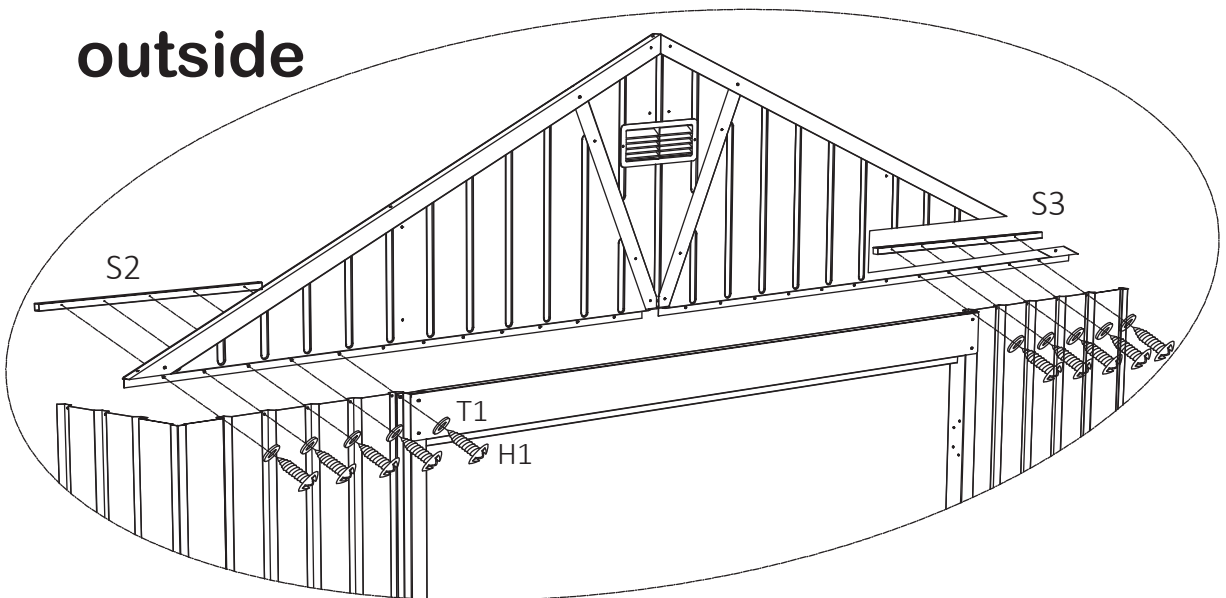
	
H1 *17	T1 *17






**inside**

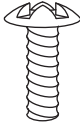



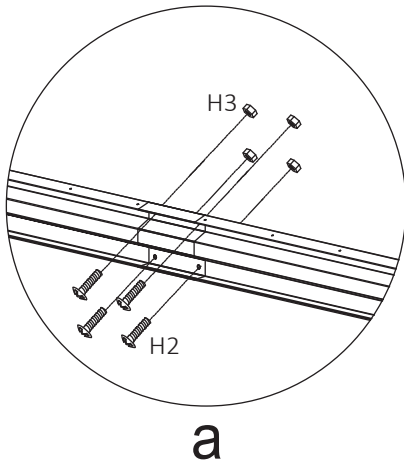
**outside**



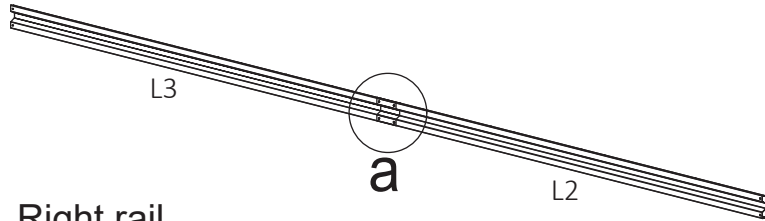
# Step.15

	L1*2
	L2*2
	L3*2

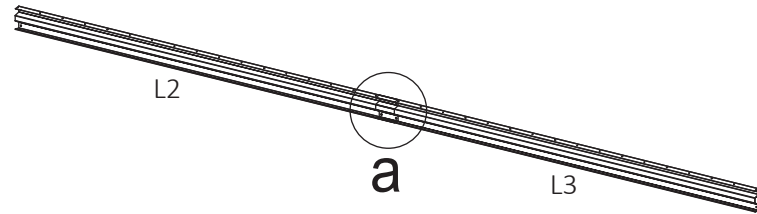
	
H2 *11	H3 *11



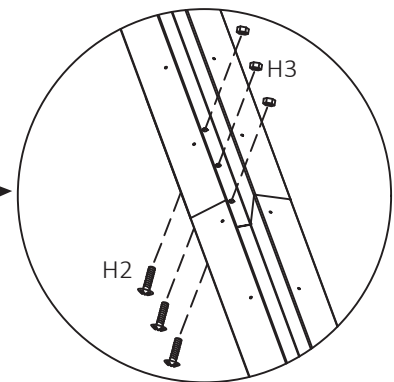
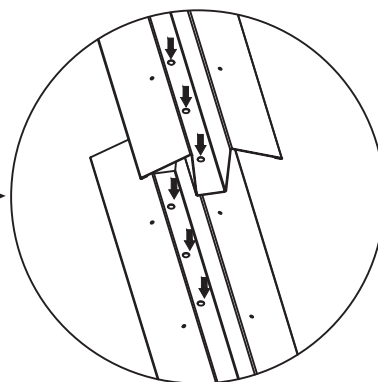
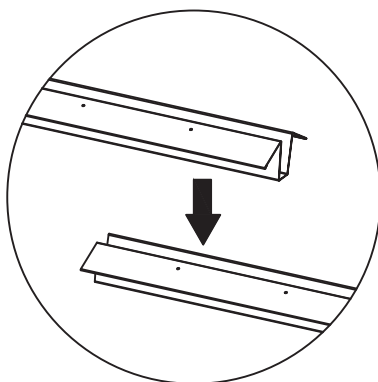
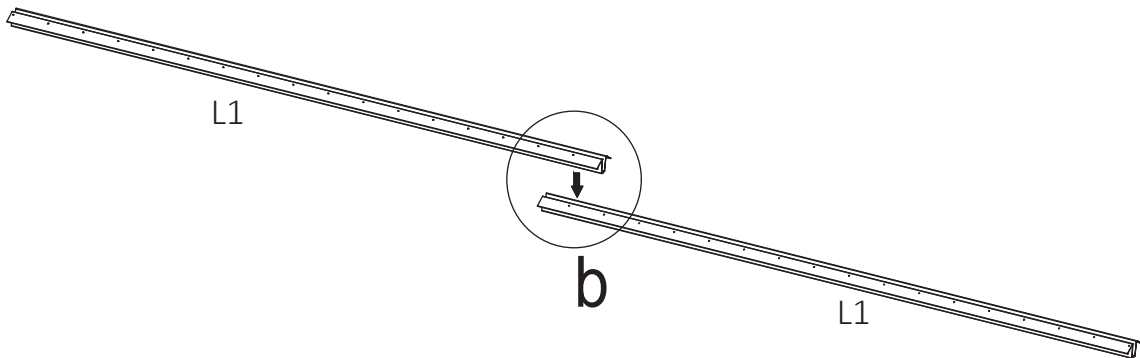
Left rail



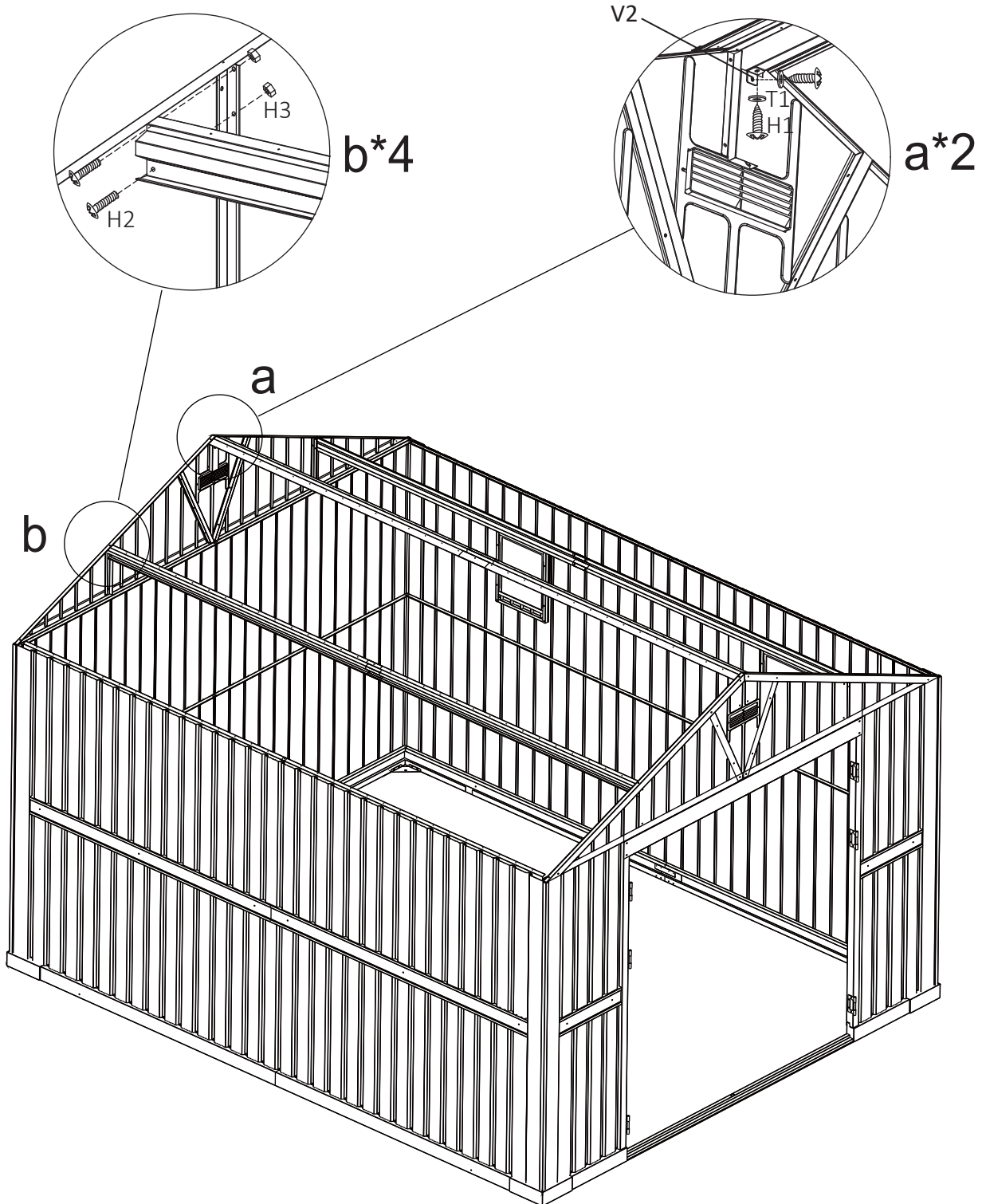
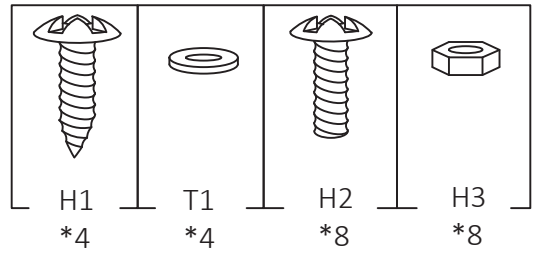
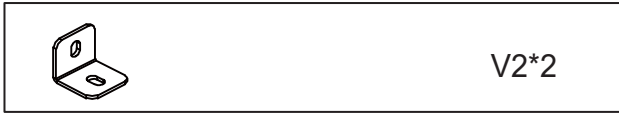
Right rail





Middle beam

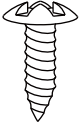

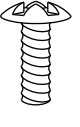



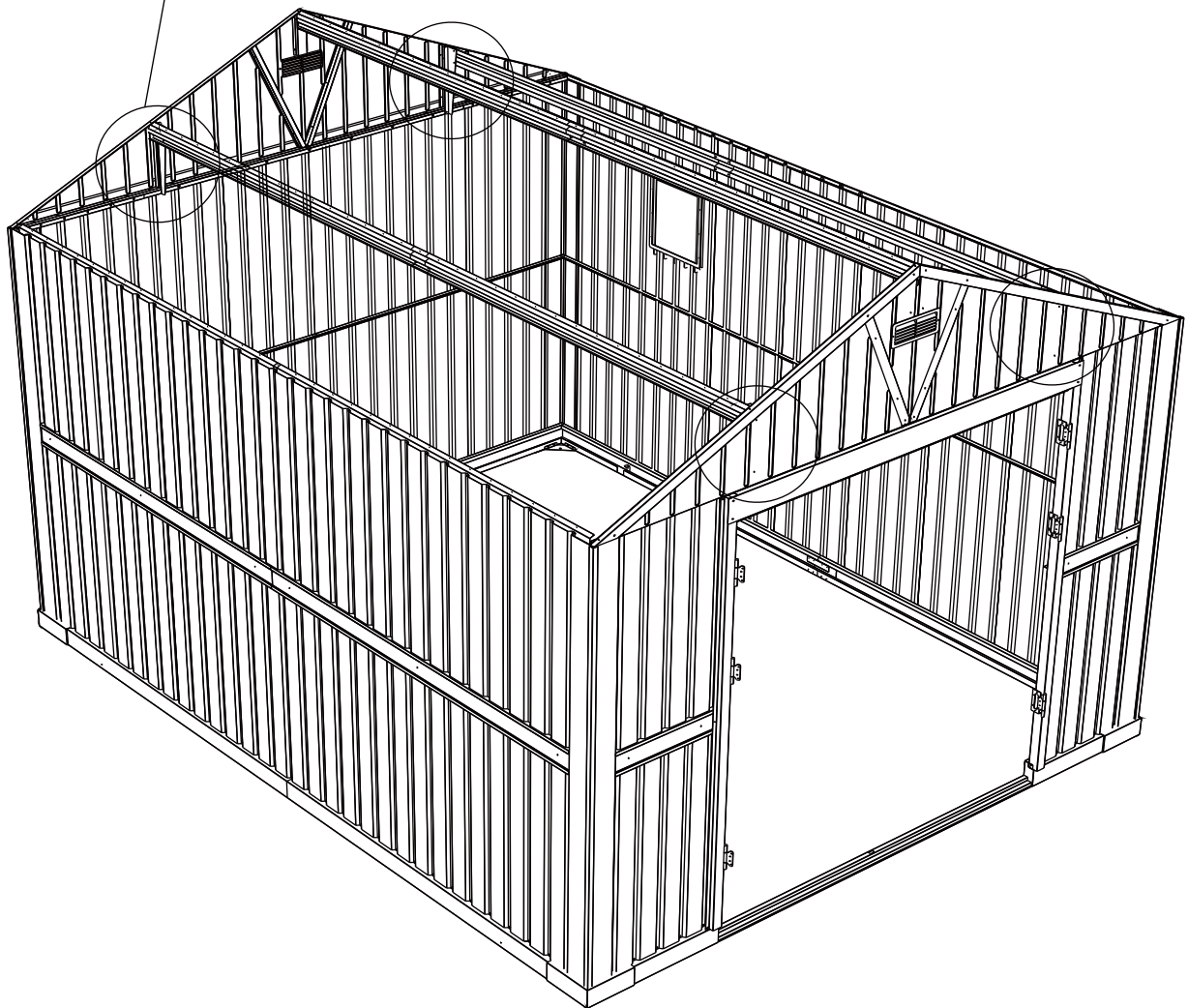
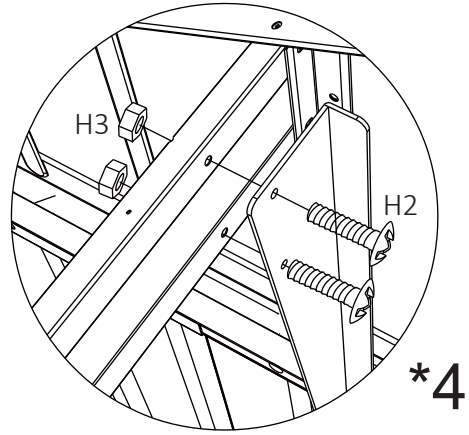
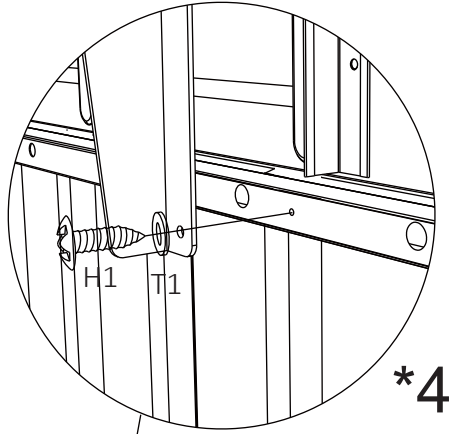
# Step.16



# Step.17

	L5*2
	L6*2

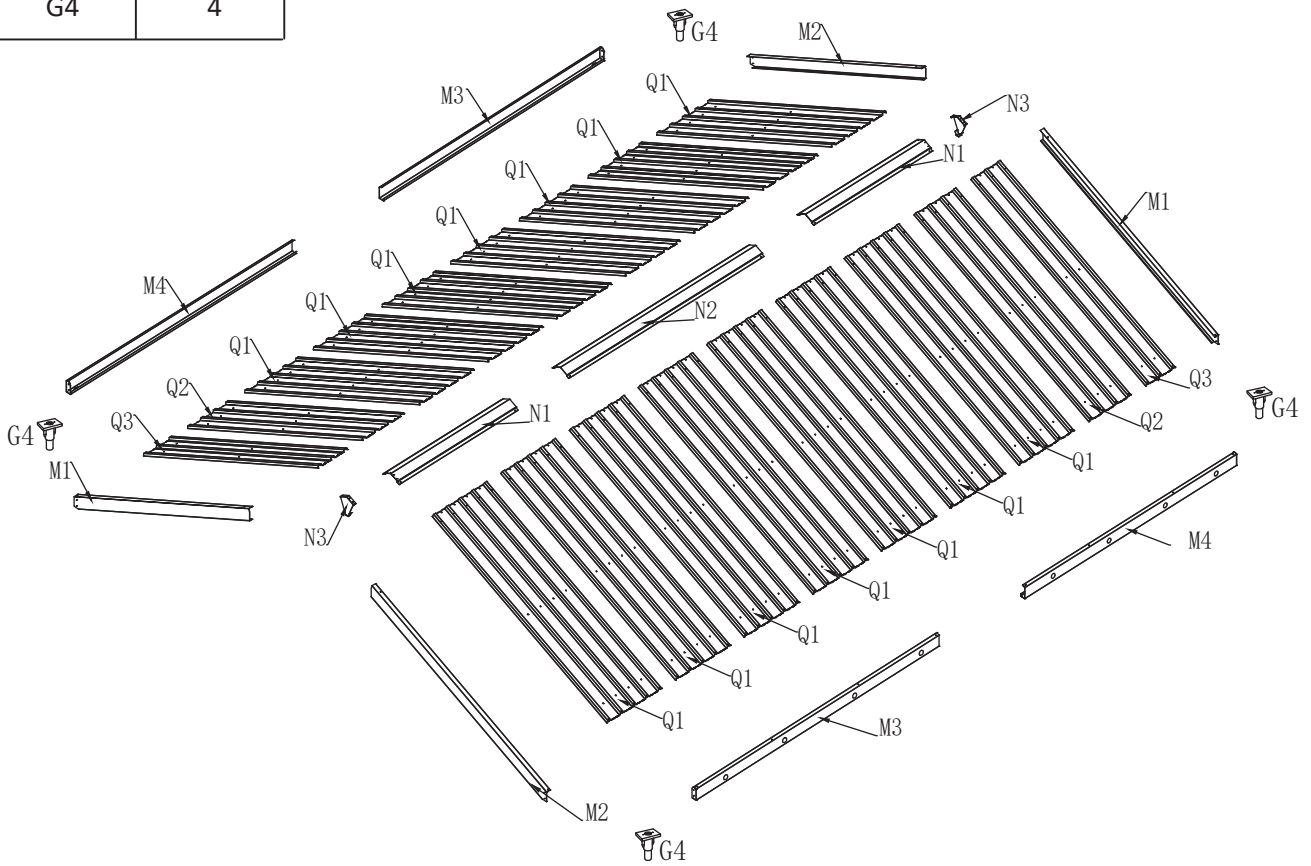
			
H1 *4	T1 *4	H2 *8	H3 *8



**Frame Exploded View**

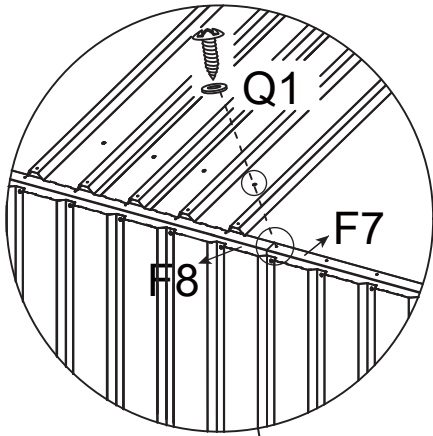
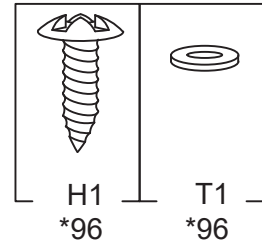
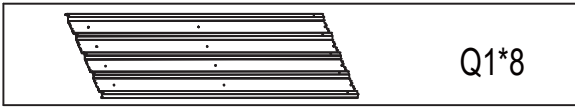
Before installation, please place the parts in the position as shown in the figure below.

NO.	Qty
M1	2
M2	2
M3	2
M4	2
N1	2
N2	1
N3	2
Q1	14
Q2	2
Q3	2
G4	4

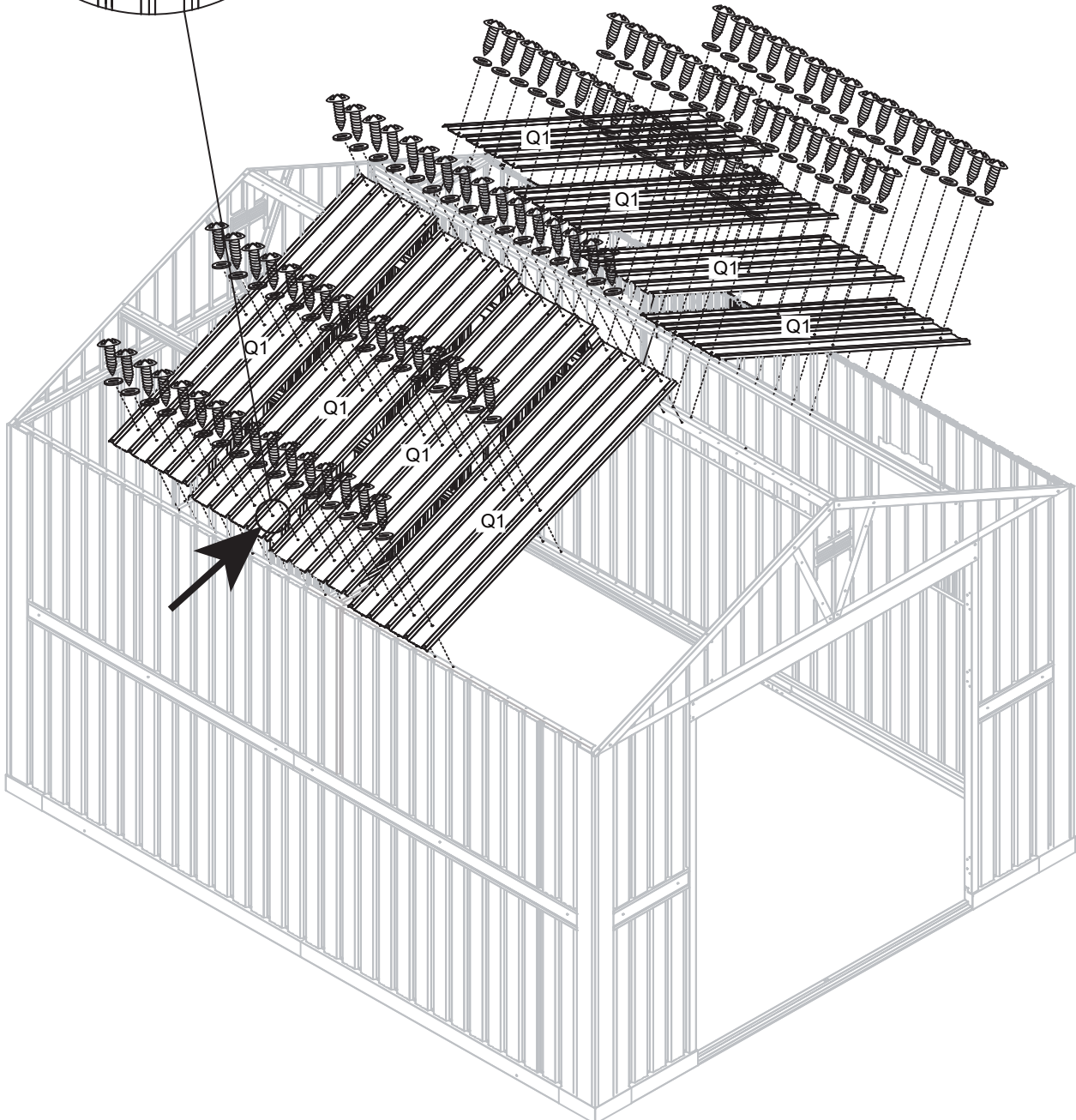


**Note:** Black color side should be facing out.

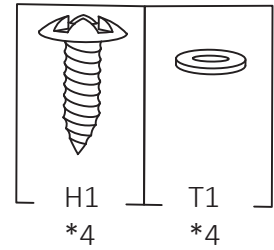
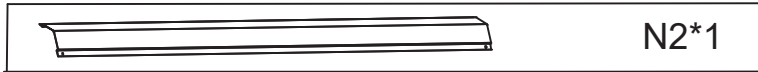
# Step.18



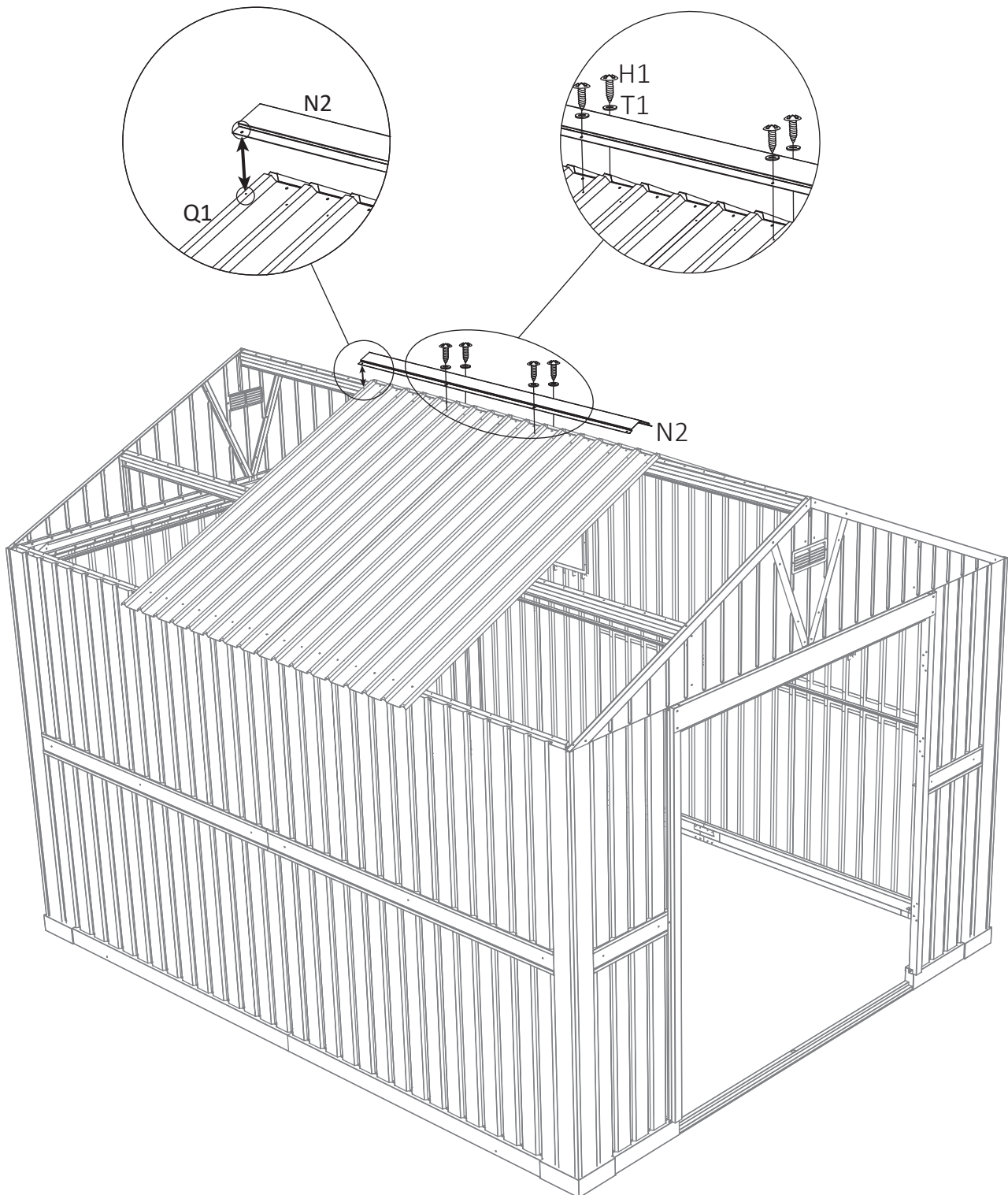
- 1.Align Q1 as indicated by the arrow, matching its first right-side hole with the F7/F8 intersection hole.
- 2.Secure Q1, F7 and F8 together using H1 and T1 fasteners.
- 3.Install remaining Q1 tiles in sequential order
- 4.Repeat the same process for tiles on the opposite side.



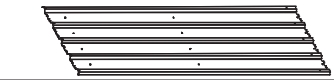

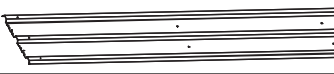
# Step.19

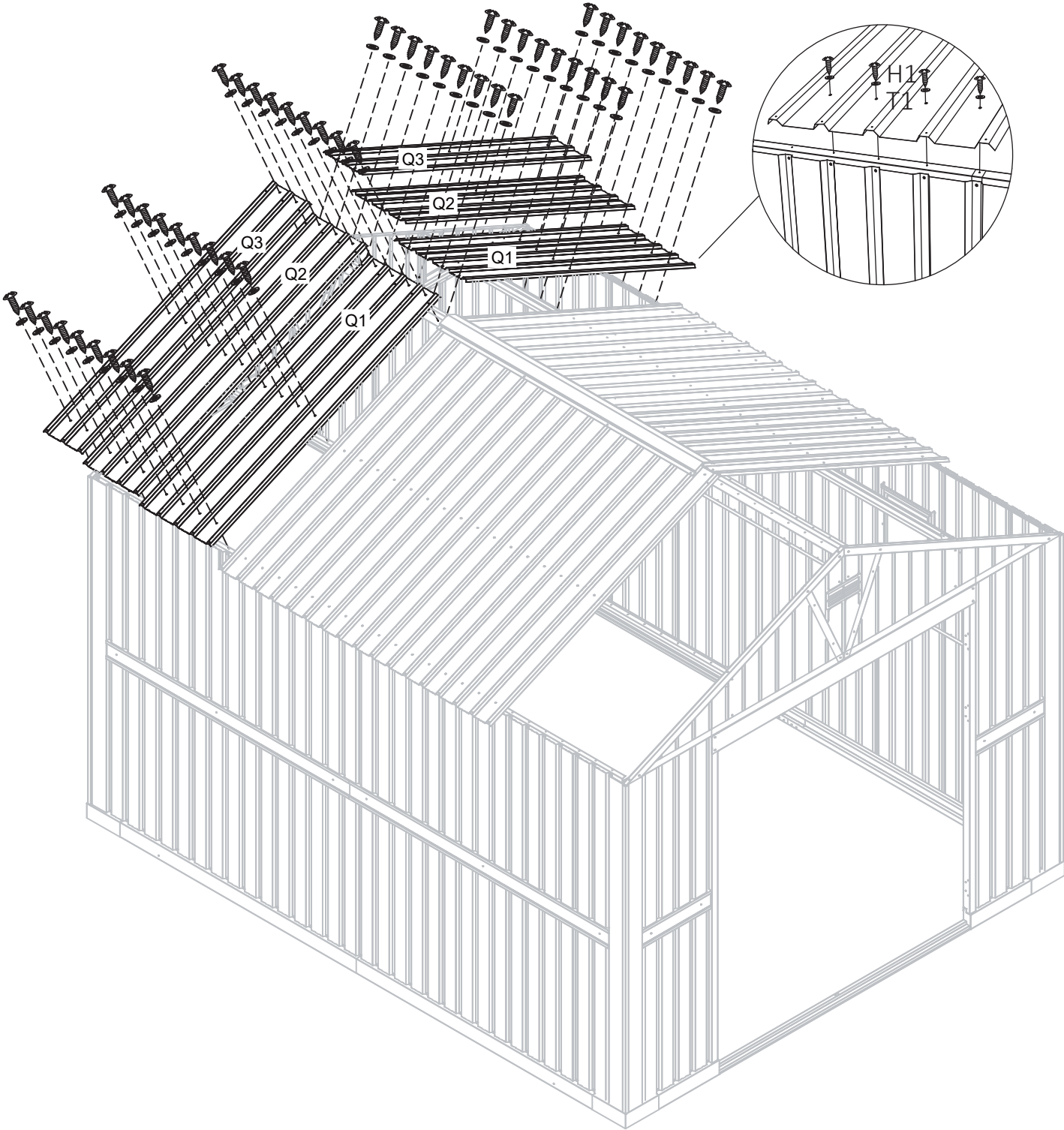
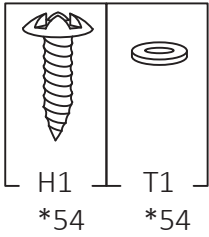


NOTE: The left edge of roof section N2 must align precisely with the left edge of component Q1.

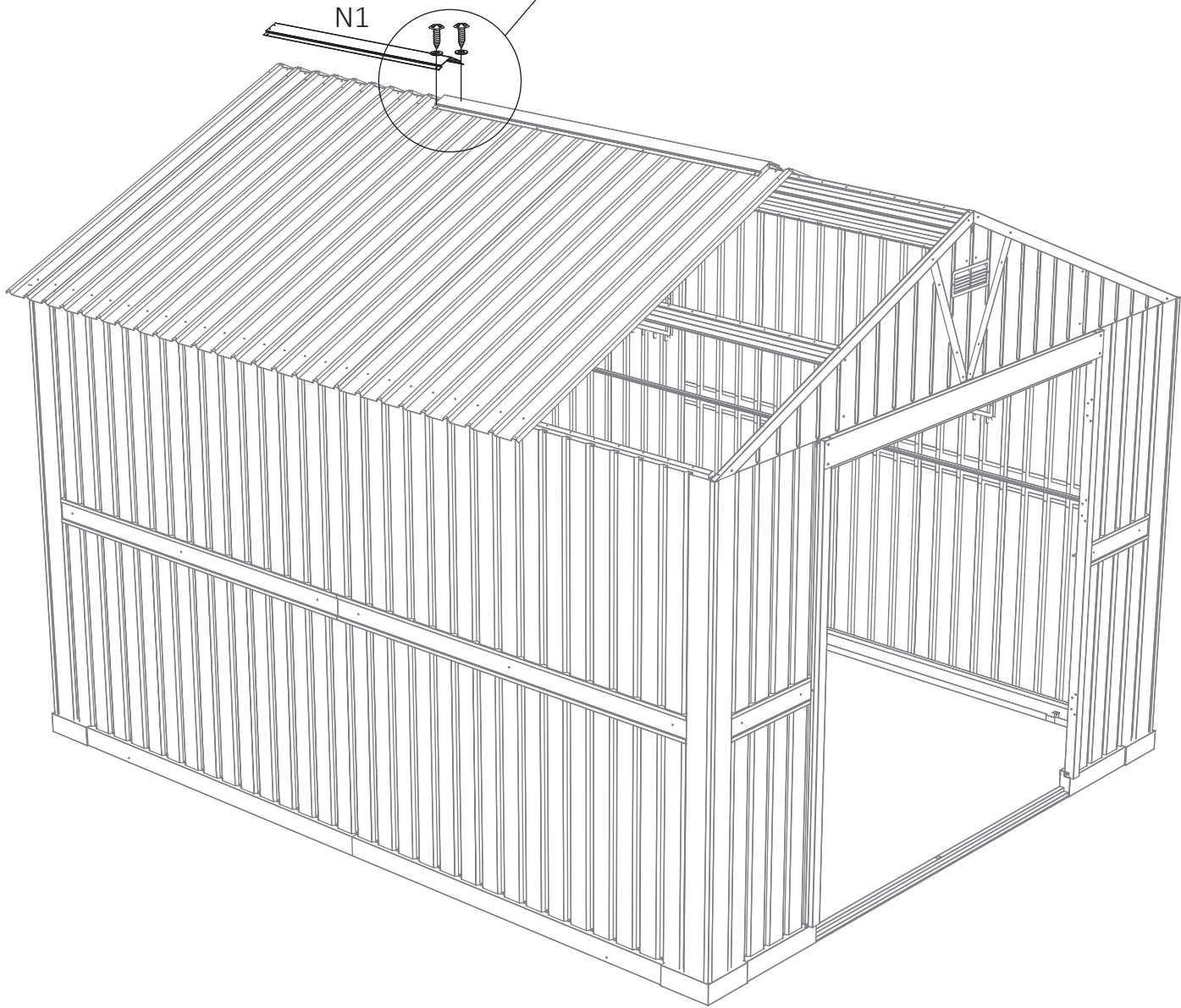
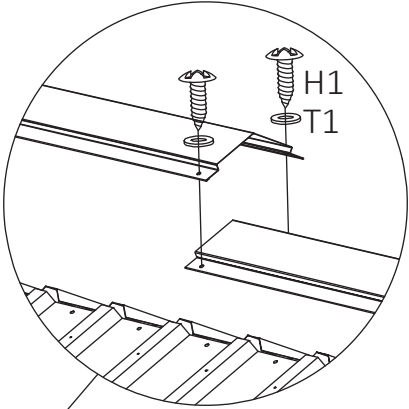
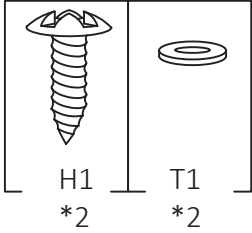
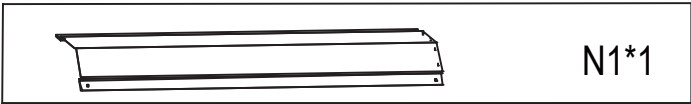


# Step.20

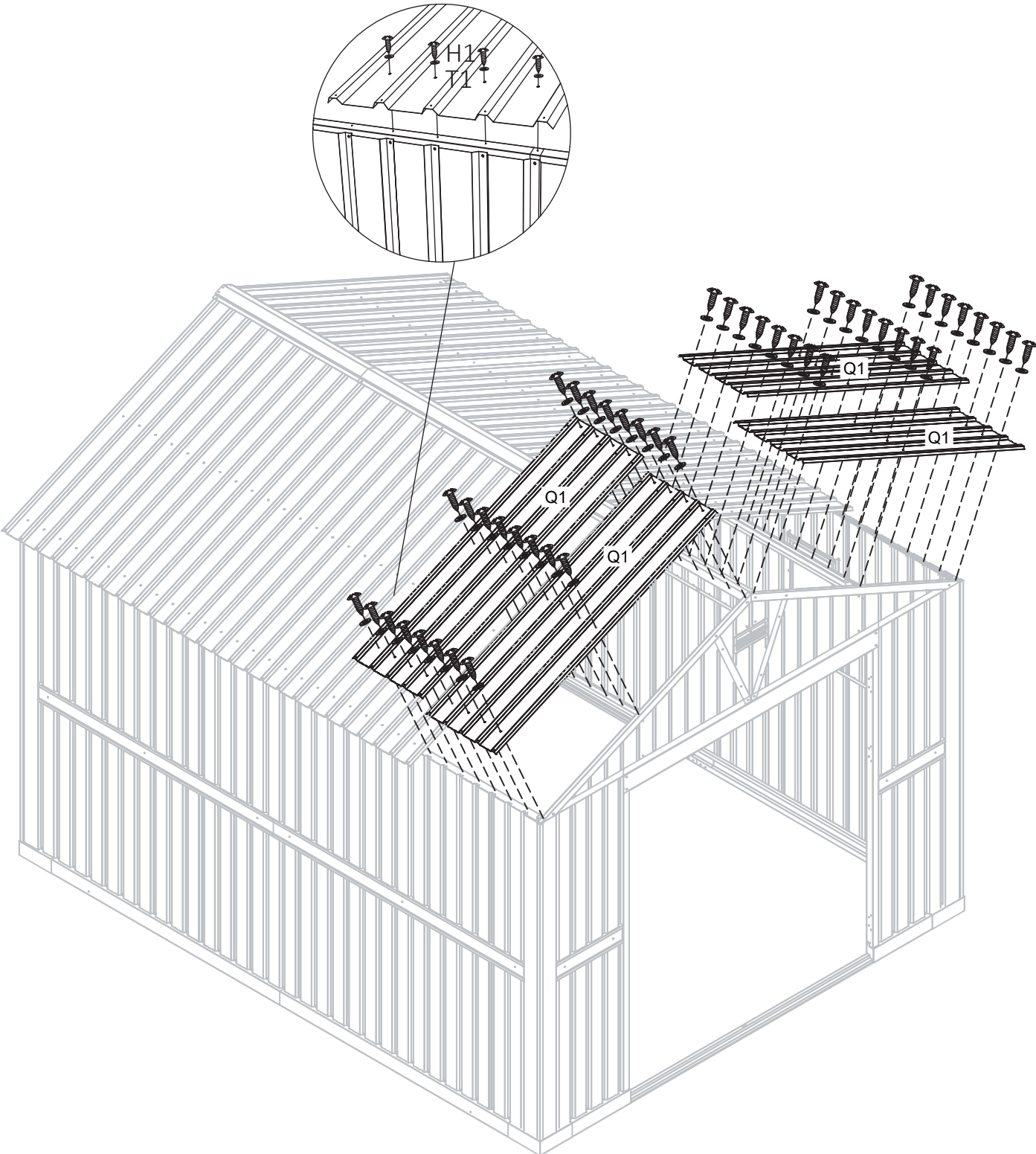
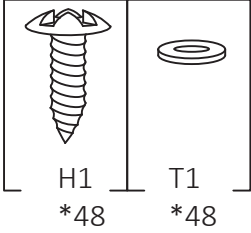
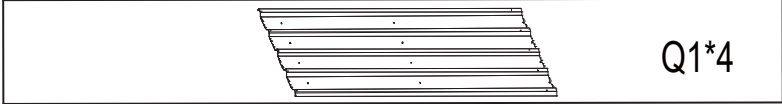
	Q1*2
	Q2*2
	Q3*2



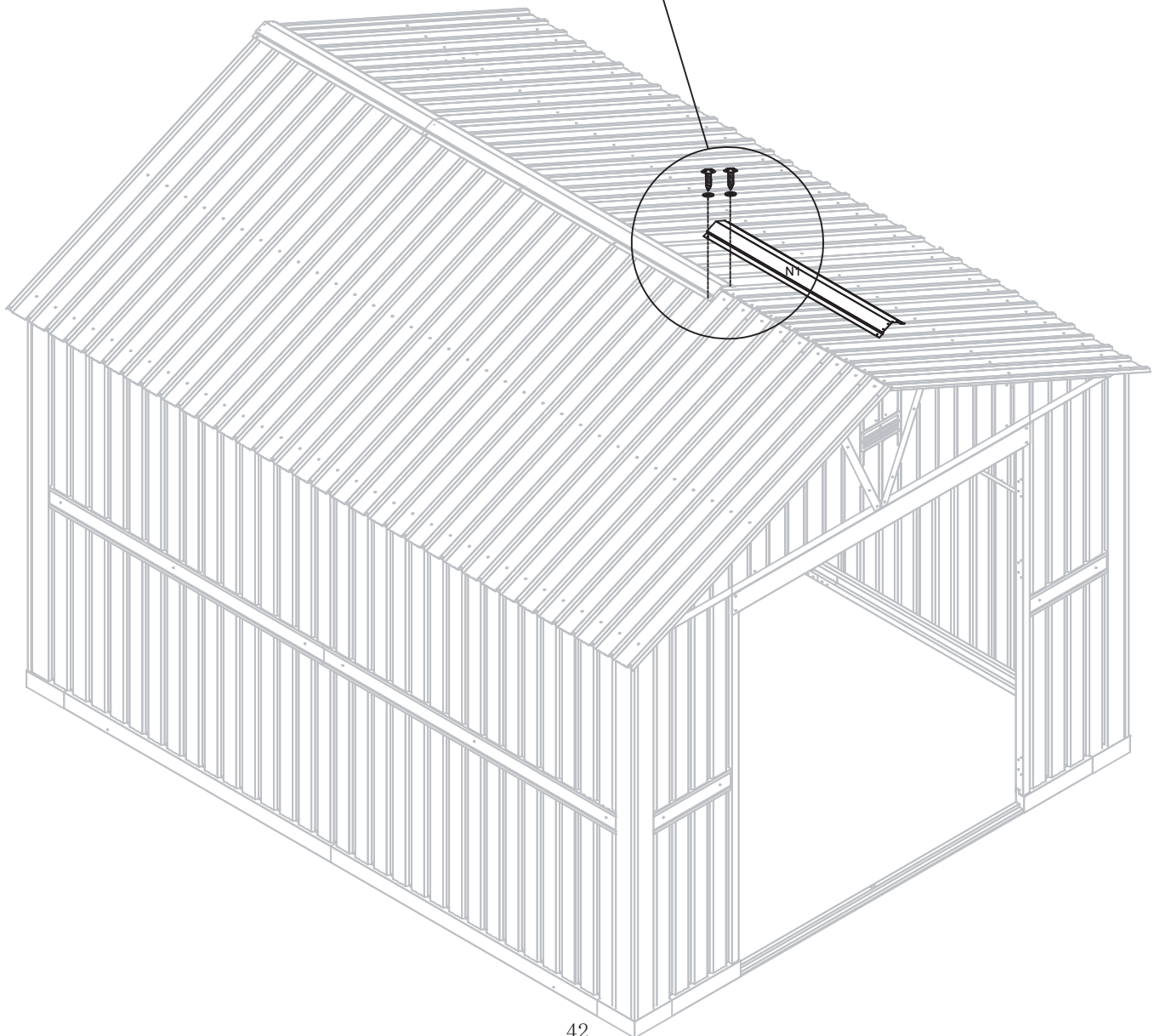
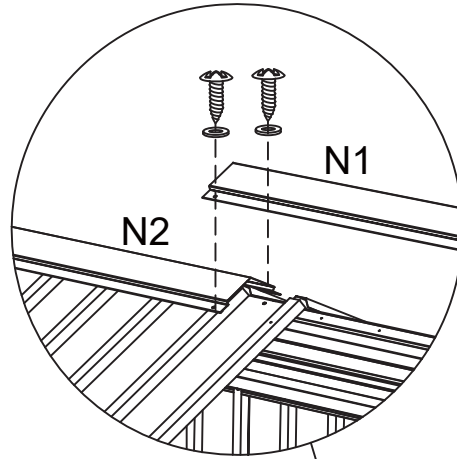
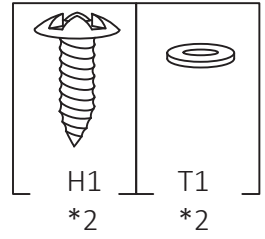
# Step.21









# Step.22

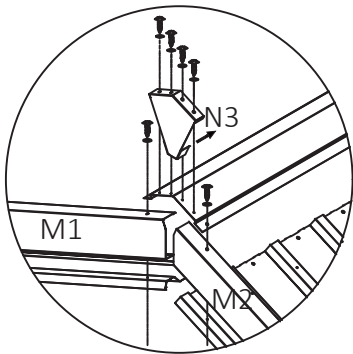
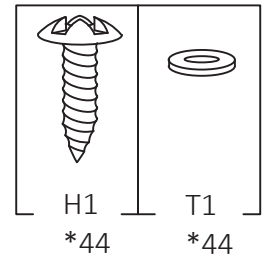


# Step.23

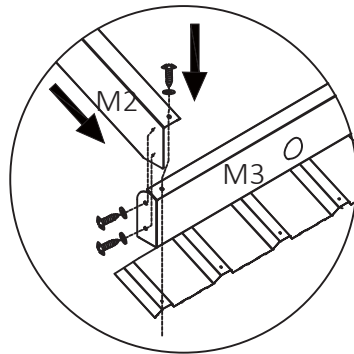


# Step.24

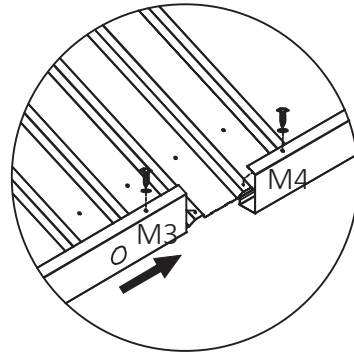
	M1*2
	M2*2
	M3*2
	M4*2
	N3*2
	G4*4



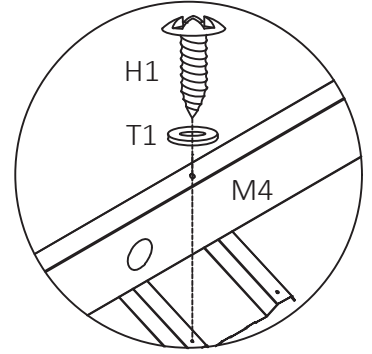
a\*2



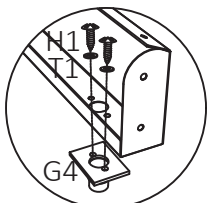
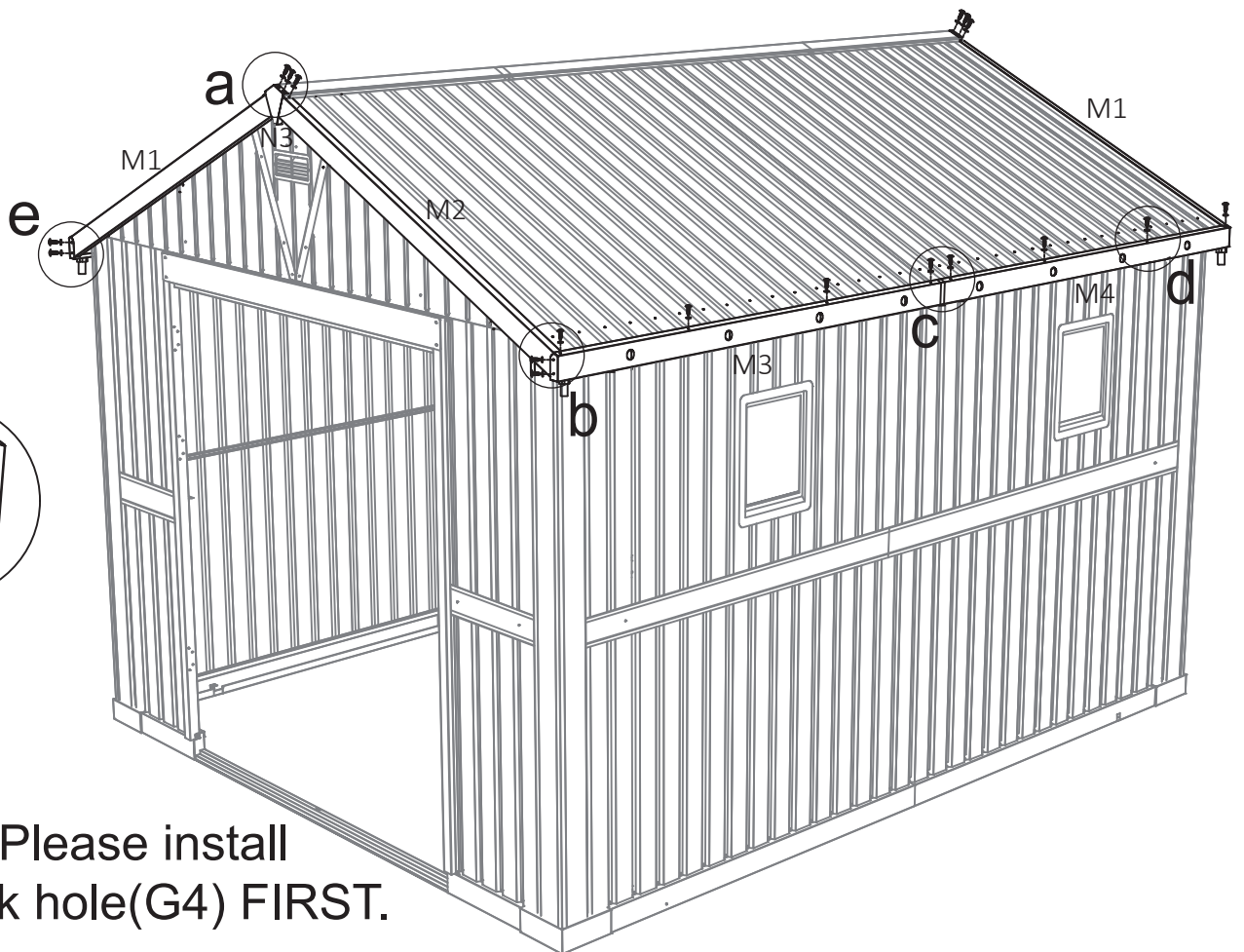
b\*4



c\*2



d\*8



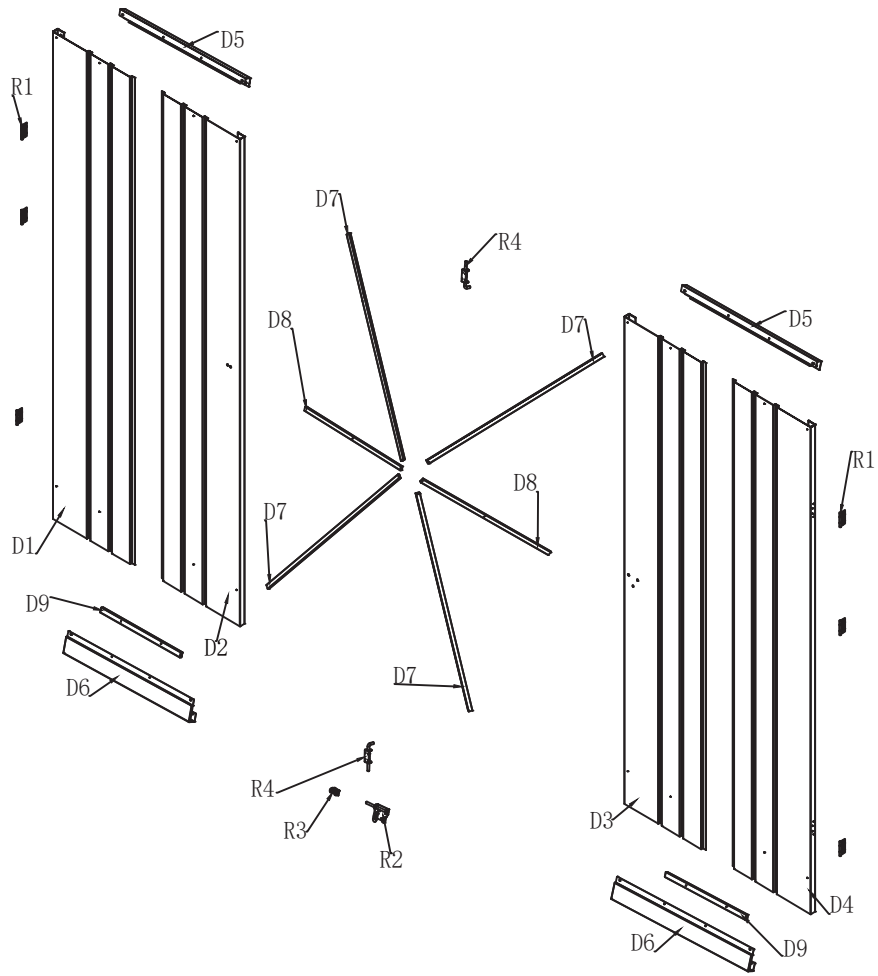
e\*4

NOTE: Please install the leak hole(G4) FIRST.

**Frame Exploded View**

Before installation, please place the parts in the position as shown in the figure below.

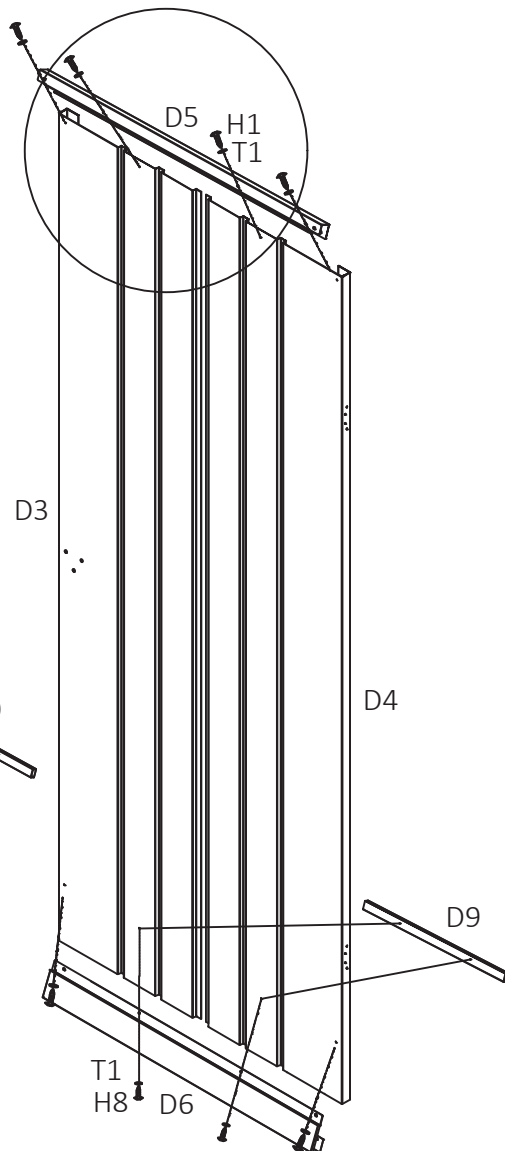
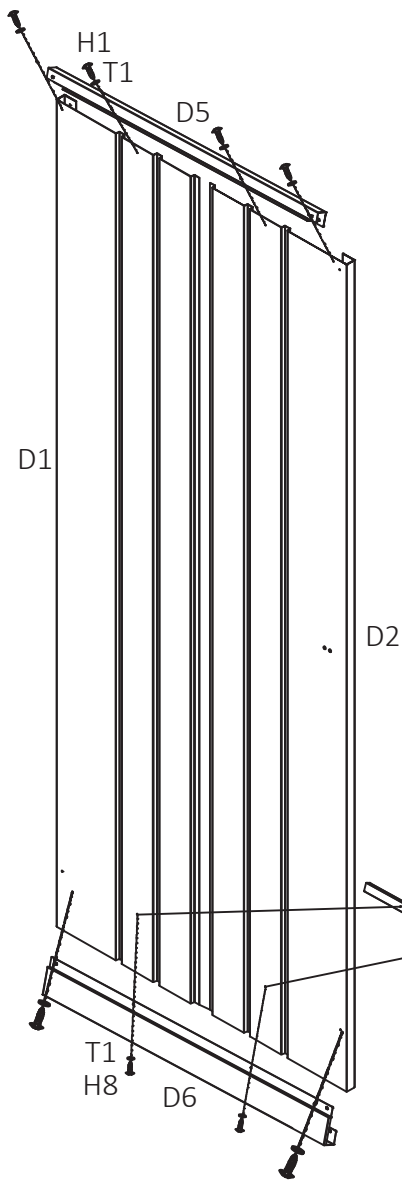
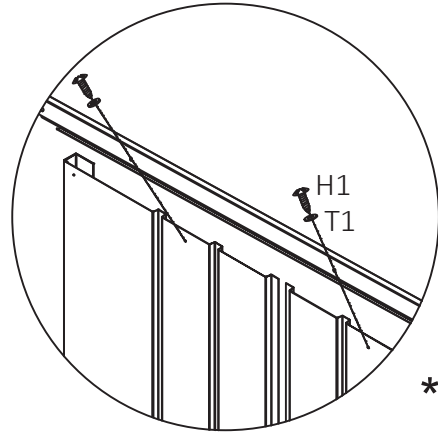
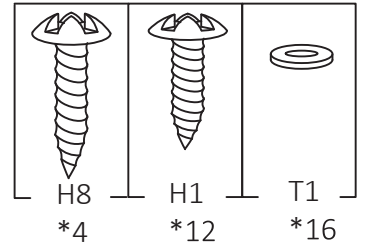
Door	
NO.	Qty
D1	1
D4	1
D2	1
D3	1
D5	2
D6	2
D7	4
D8	2
D9	2
R1	6
R2	1
R3	1
R4	2





**Note:** Wood-color side should be facing out.

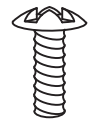


# Step.25

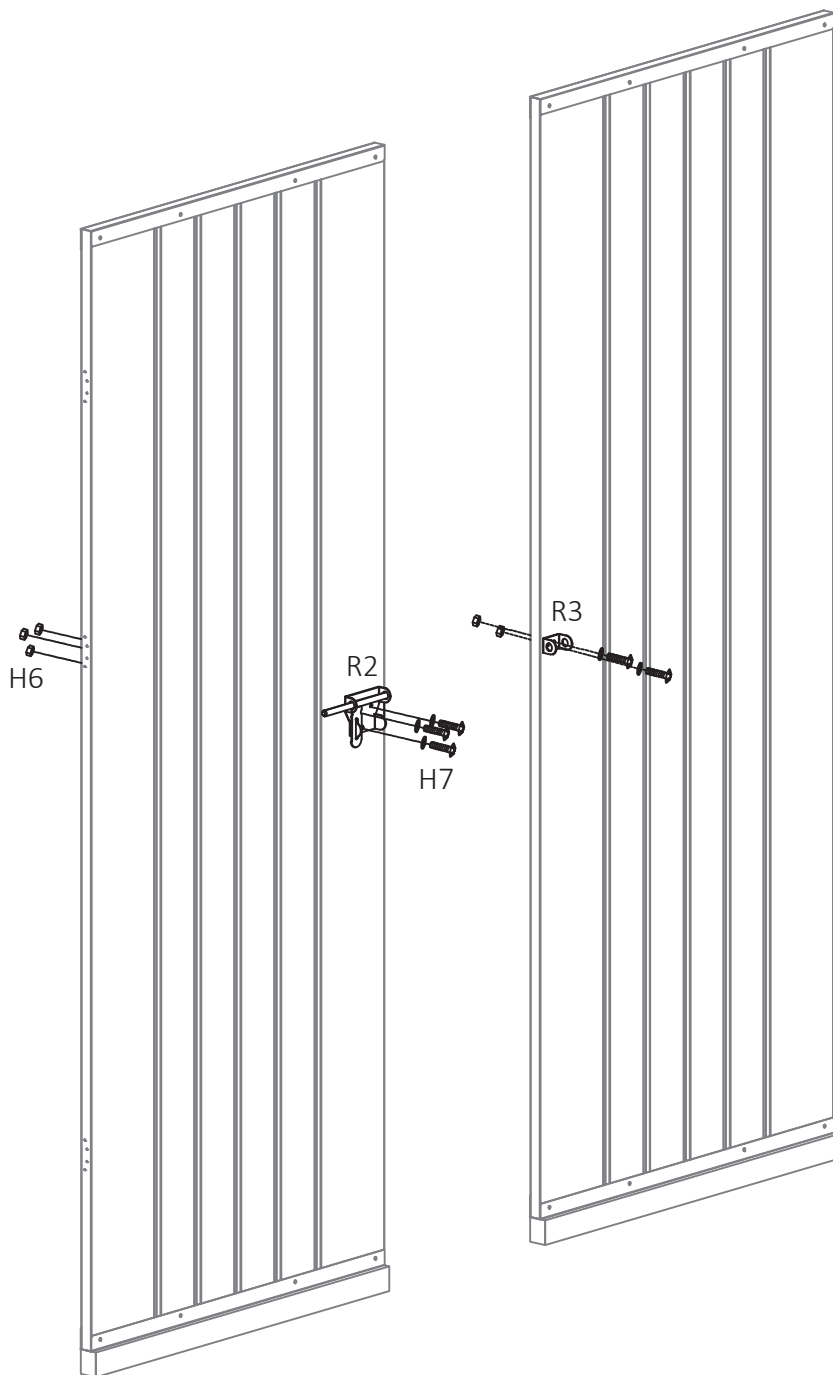
	D1*1
	D4*1
	D2*1
	D3*1
	D5*2
	D6*2
	D9*2





# Step.26

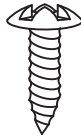

	R2*1
	R3*1

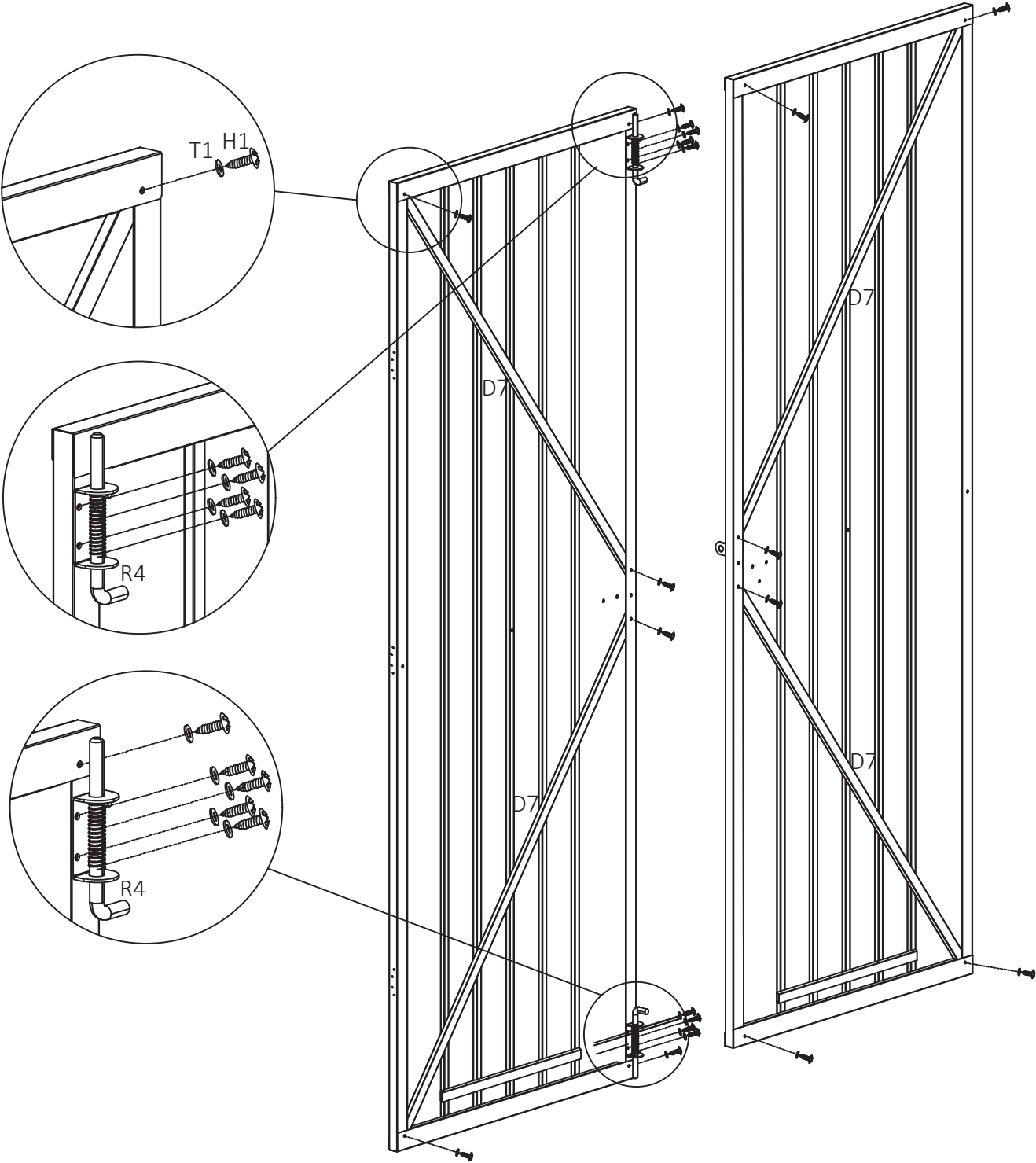
		
H7 *5	H6 *5	T1 *5



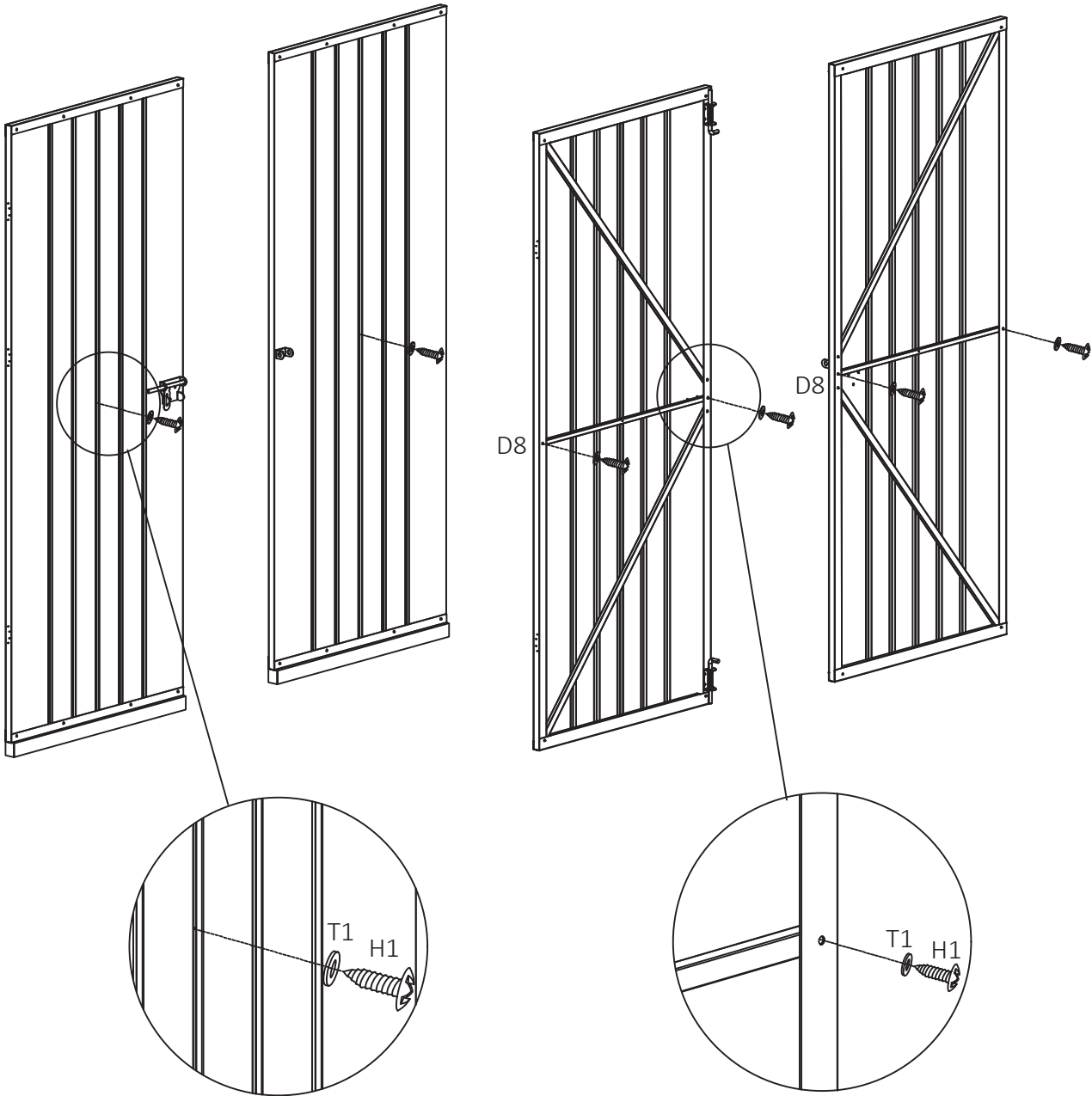
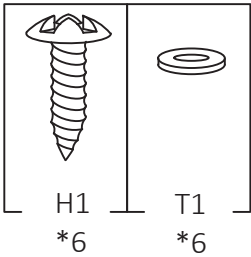
# Step.27

	D7*4
	R4*2

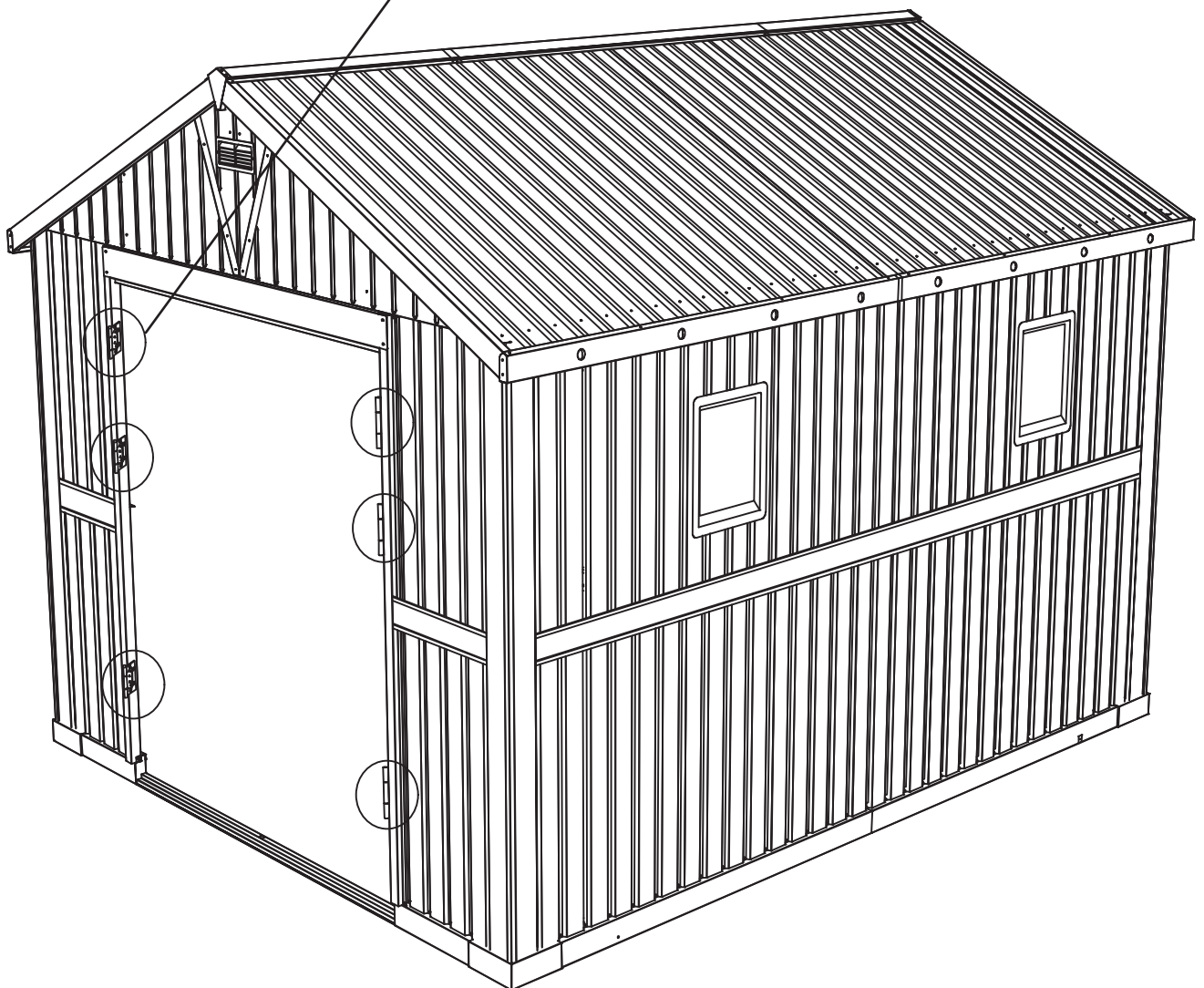
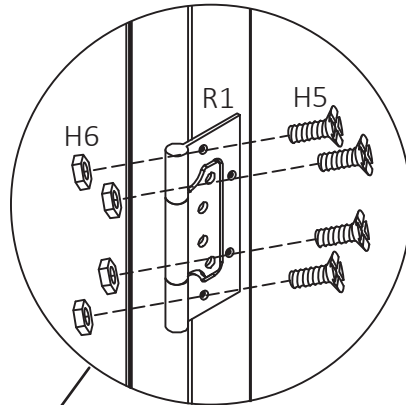
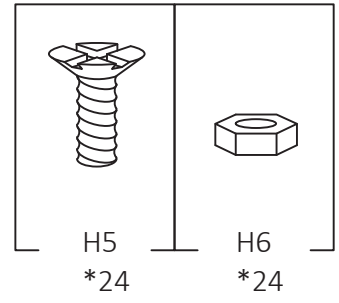
	
H1	T1
*20	*20



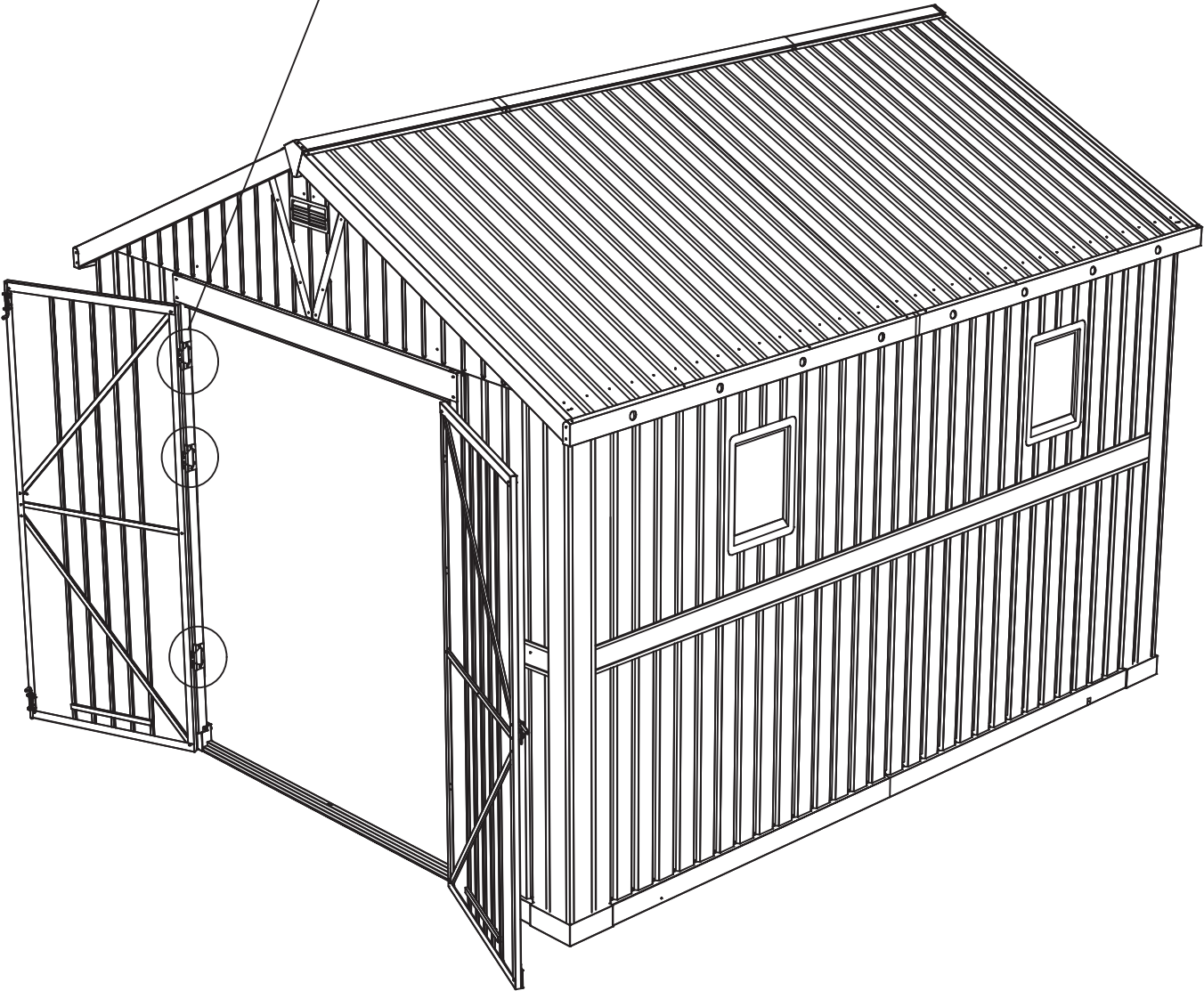
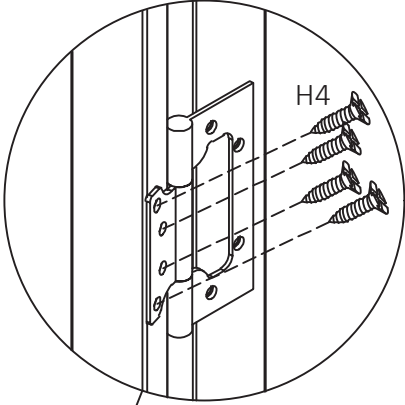
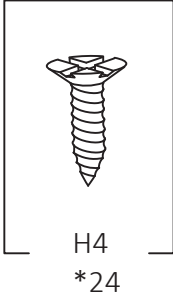
# Step.28





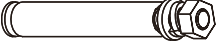
# Step.29

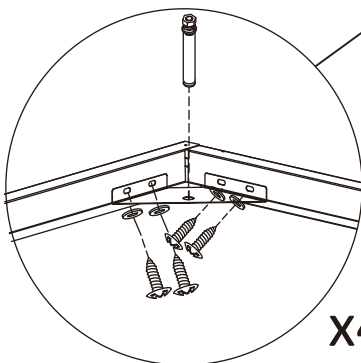
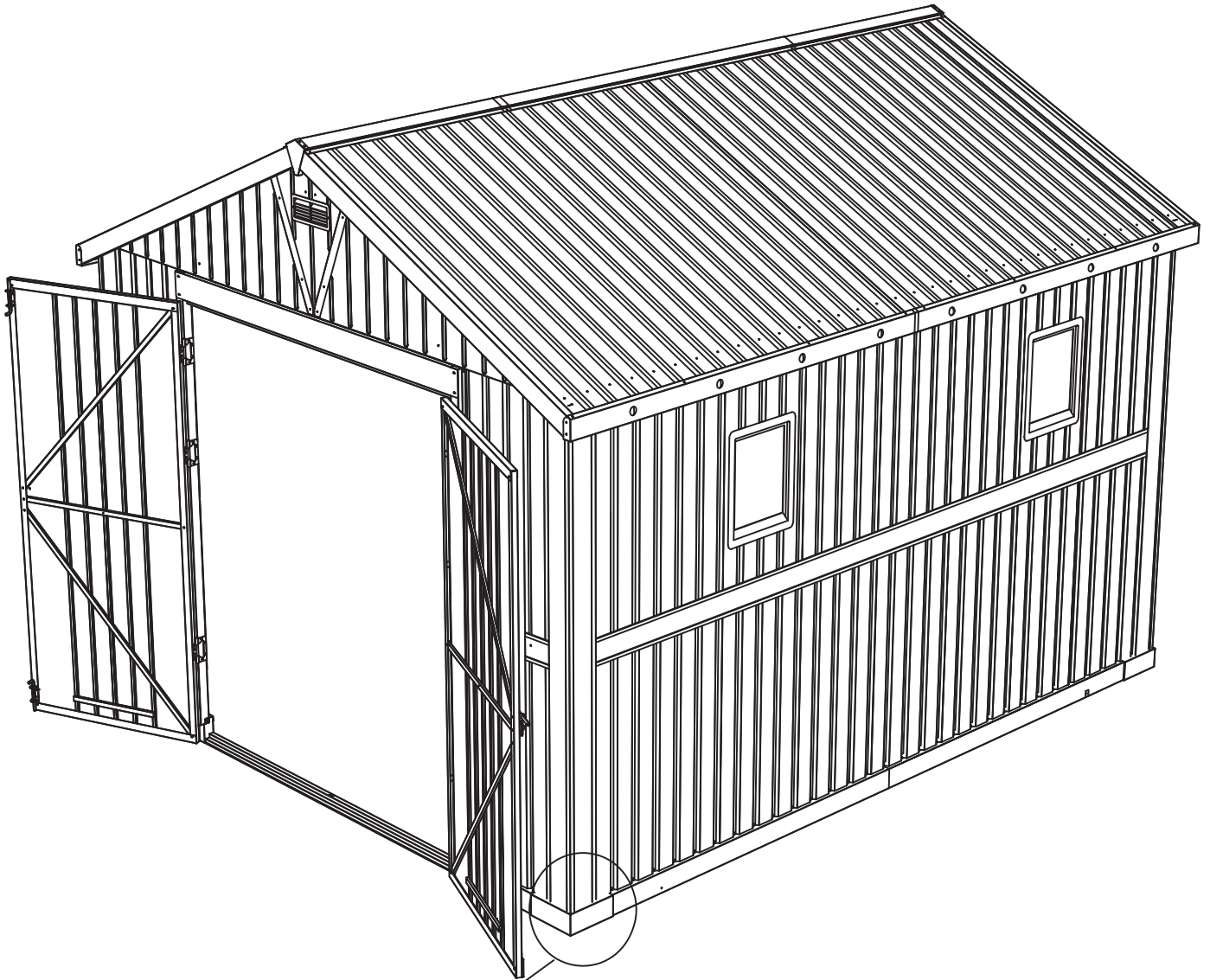
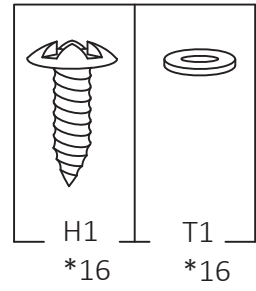


# Step.30



# Step.31

	J1*4
	J2*4
	J3*4



or

