

# BCWLBI1

V.2

## Before assembly

- We recommend that time is taken to read the instructions before starting assembly, then follow the easy step by step guide.
- Check all components prior to assembly. This product should be assembled by no less than 2 people.
- The instruction sheet is only a guide to the assembly. Certain items may not be shown to scale.
- We recommend to treat the shed with paint or wood stain only after extensive installation before attaching the cover strips. Be sure to avoid working in the blazing sun.
- Never attempt to erect the assembly in high winds or rain.
- Drill components where indicated.

## Important information - retain for future reference

To **VALIDATE** the guarantee, the building must be properly treated with a recognized external wood preserver **WITHIN 3 MONTHS** of assembly and **RE-TREATED ANNUALLY** thereafter.

## Timber Information

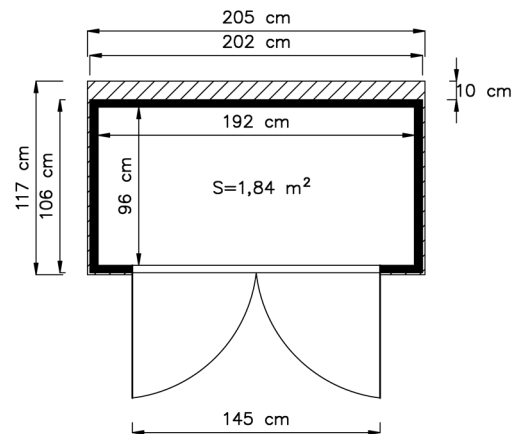
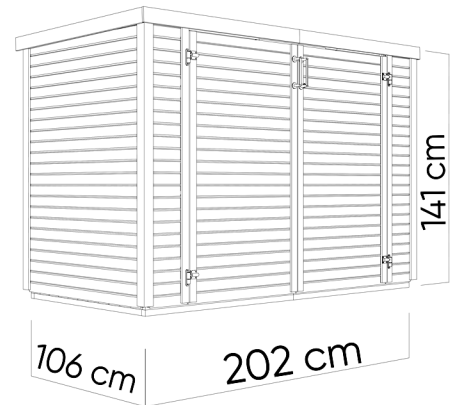
As timber is a natural material, there are certain weather conditions that may affect the materials properties. In times of excessive dry spells the material may lose some of its internal moisture causing a certain degree of shrinkage on a panel and in periods of excessive rain there will be a certain amount of swelling throughout the wooden panels. This process can not be avoided.

## Important note

To "**VALIDATE**" the guarantee, adequate provision must be made to ensure ground contact is avoided and air is able to circulate underneath the building.

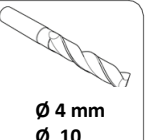
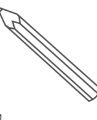
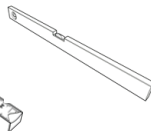
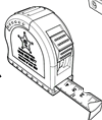
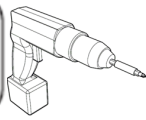
Placing the building on a concrete pad or slab base is acceptable provided that the building is not allowed to sit in pooled water during wet conditions.

If the building is to sit on soil or grass it **MUST** be erected on additional pressure treated wooden 50 x 50 mm or similar bearers (**these are not supplied in the kit**).


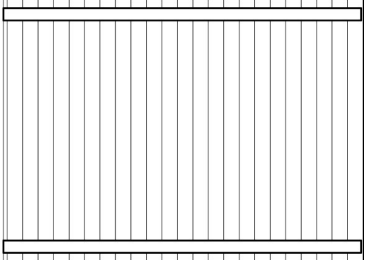

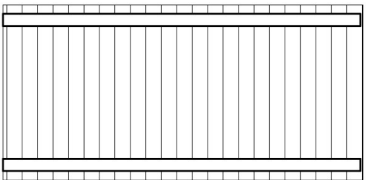
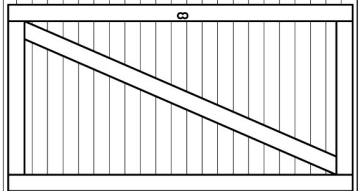
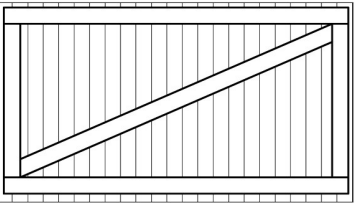
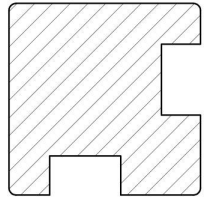







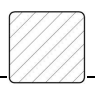



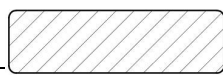
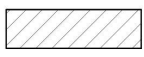



EN - Technical modifications reserved.  
All dimensions are approximate dimensions.

# BCWLBI1






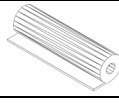
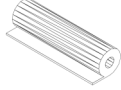



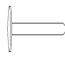

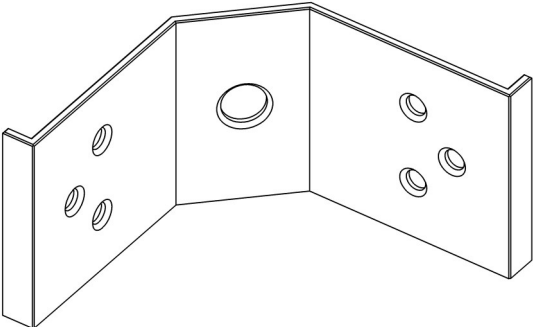
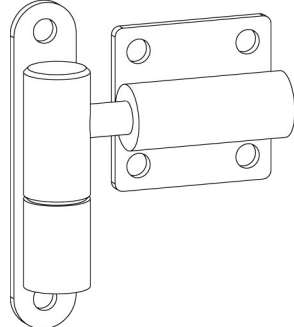
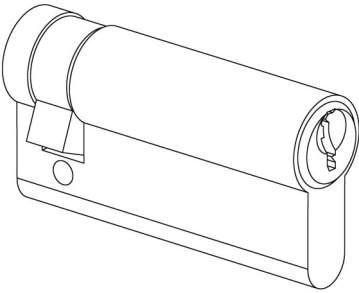
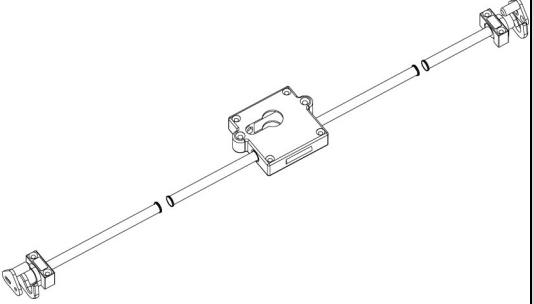
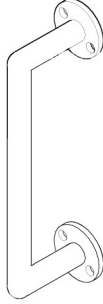
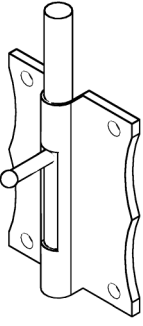
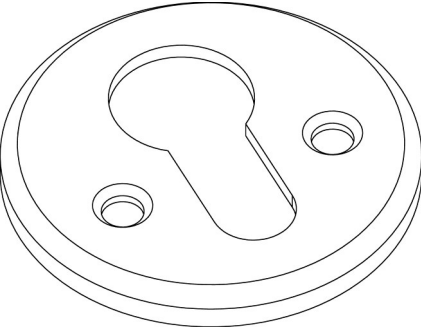
Ø 4 mm  
Ø 10

ID	Details in mm (Tolerance/Toleranz ...+ 2mm)	Pcs.	ID	Details in mm (Tolerance/Toleranz ...+ 2mm)	Pcs.
200	47 x 990 x 979	x 2	202	37 x 241 x 1330 	x 1
203	37 x 967 x 1330 	x 2	201	37 x 241 x 1330 	x 1
204	37 x 645 x 1330 	x 3	206	37 x 734 x 1305 	x 1
205	37 x 734 x 1305 	x 1	500	52 x 52 x 1320 	x 4
509	17,5 x 60 x 1320 	x 2	504	41 x 41 x 888 	x 4
505	41 x 41 x 718 	x 2	503	41 x 41 x 1320 	x 1
506	41 x 41 x 593 	x 1	501	40 x 60 x 1320 	x 1
502	40 x 60 x 593 	x 1	507	26,5 x 28 x 1010 	x 4
516	12 x 830 x 1150 	x 2	517	12 x 360 x 1150 	x 1
514	12 x 42 x 1305 	x 4	508	17,5 x 60 x 1270 	x 1
513	12 x 42 x 1320 	x 4	510	17,5 x 45 x 810 	x 2

# BCWLBI1



Ø 4 mm  
Ø 10 mm

ID	Details in mm (Tolerance/Toleranz ...+ 2mm)	Pcs.	ID	Details in mm (Tolerance/Toleranz ...+ 2mm)	Pcs.
515	12 x 42 x 945 	x 2	511	12 x 70 x 1160 	x 2
512	12 x 70 x 1025 	x 2	518	1 x 1000 x 2200 	x 1
519	1 x 300 x 2200 	x 1	1505	Ø4,5 x 50 	x 36
1506	Ø3,5 x 35 	x210	1502	Ø4,5 x 75 	x 22
1513	Ø3 x 11 	x120	1503	Ø6 x 60 	x 8
1515		x 8	1528		x 4
1549		x 1	1550		x 1
1533		x 2	1517		x 2
1551		x 1			

# BCWLBI1

1.

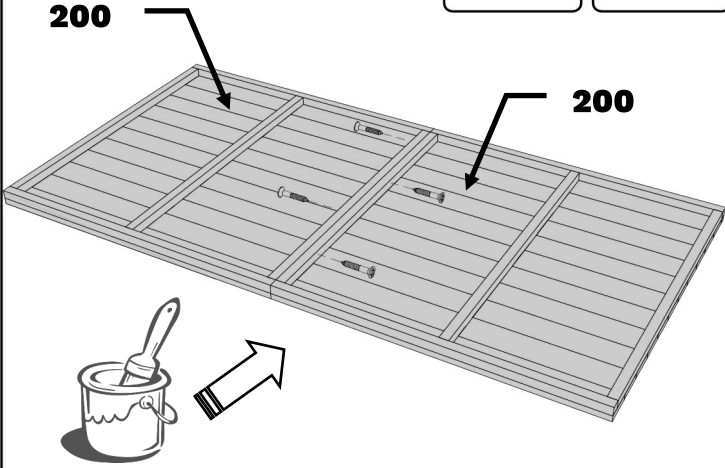
4 mm

50 mm x 4 St

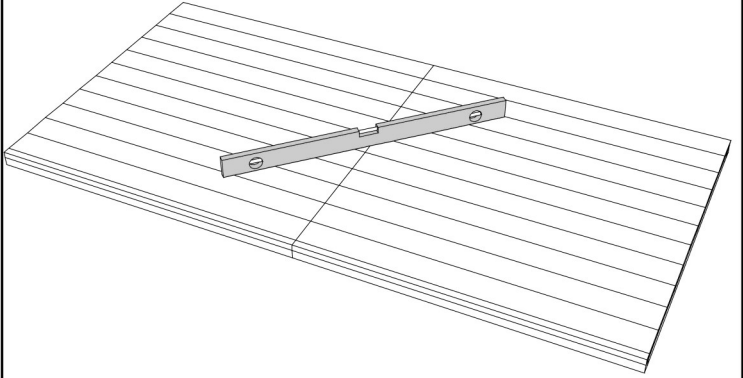


200

200

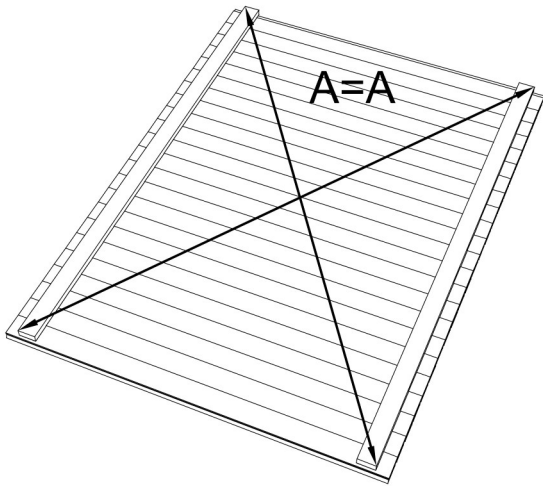


2.



3.

A=A



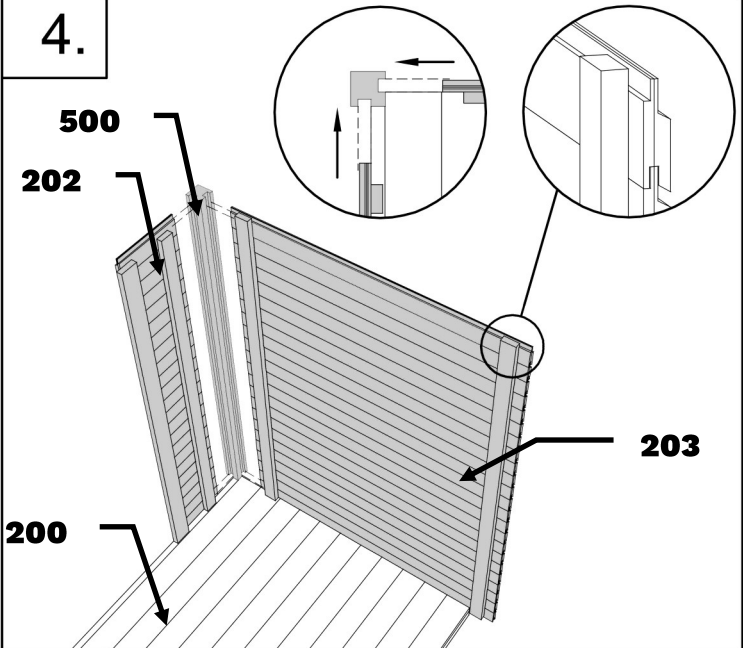
4.

500

202

203

200



5.

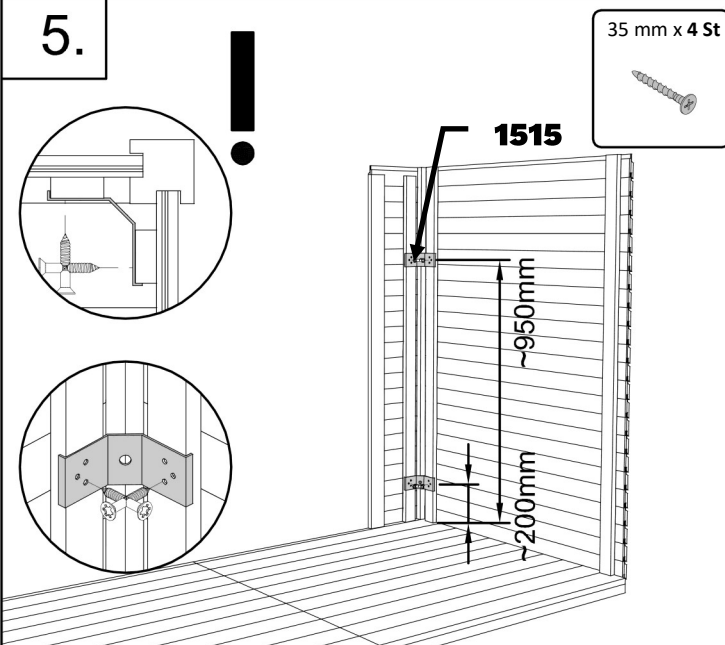
35 mm x 4 St



1515

~950mm

~200mm



6.

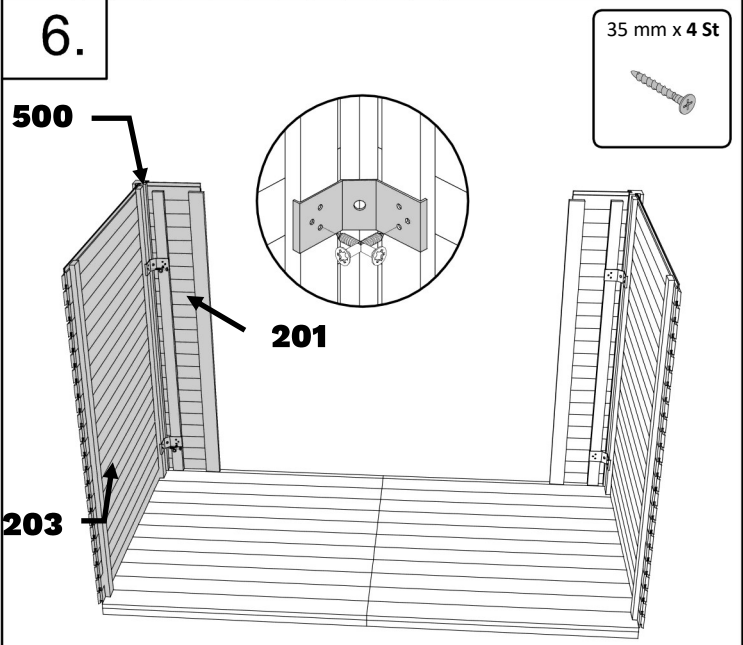
35 mm x 4 St



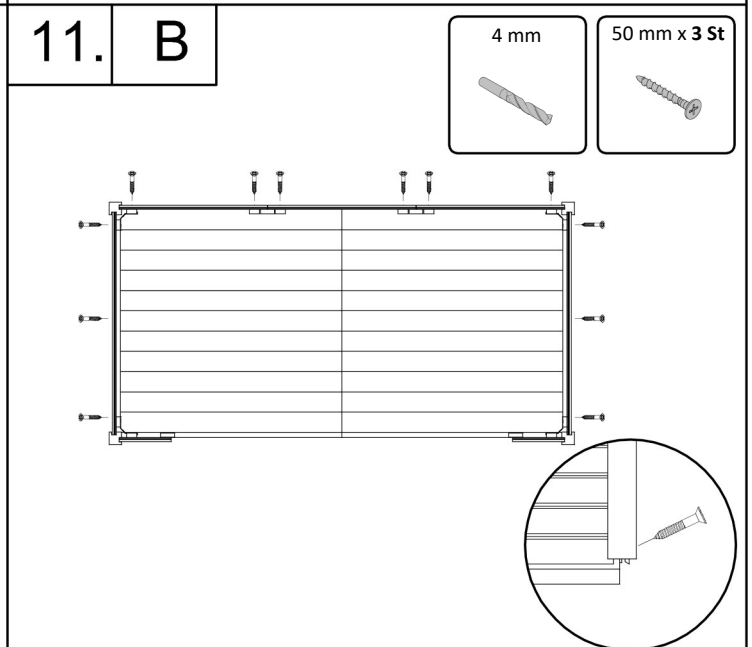
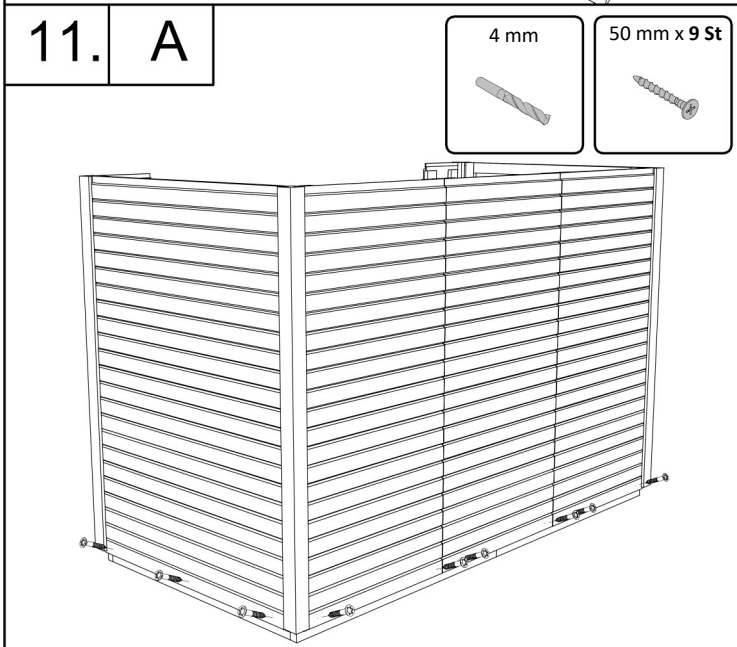
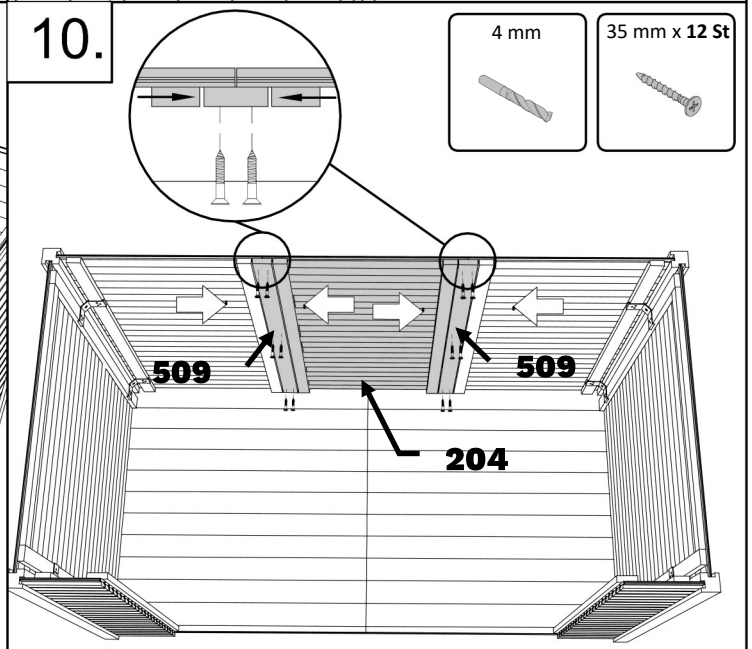
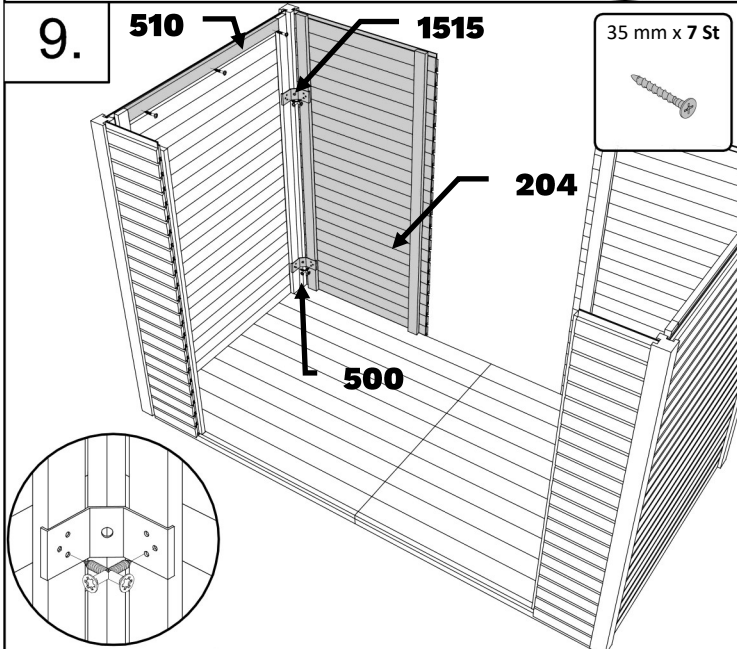
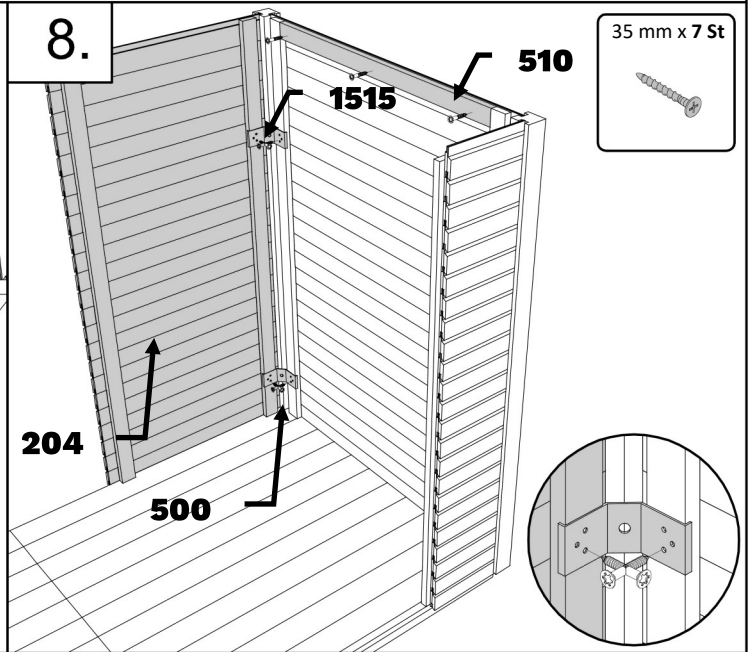
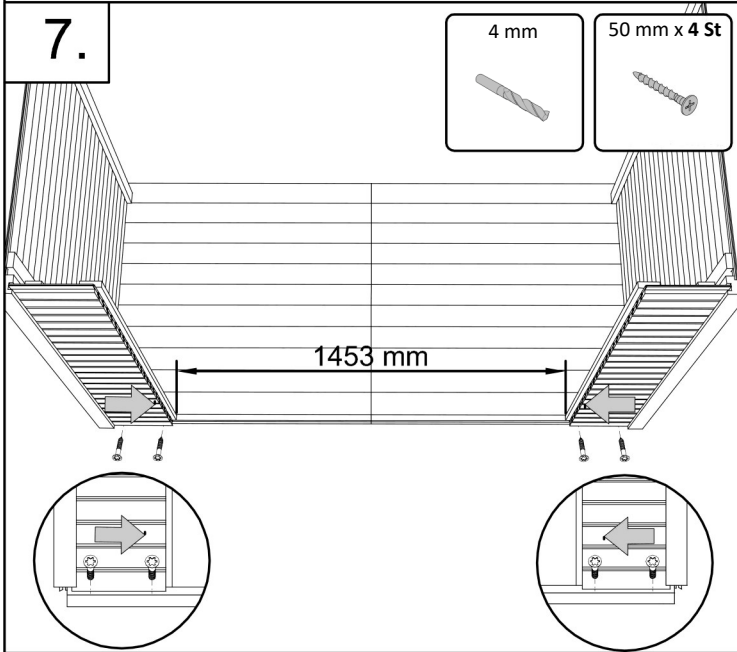
500

201

203

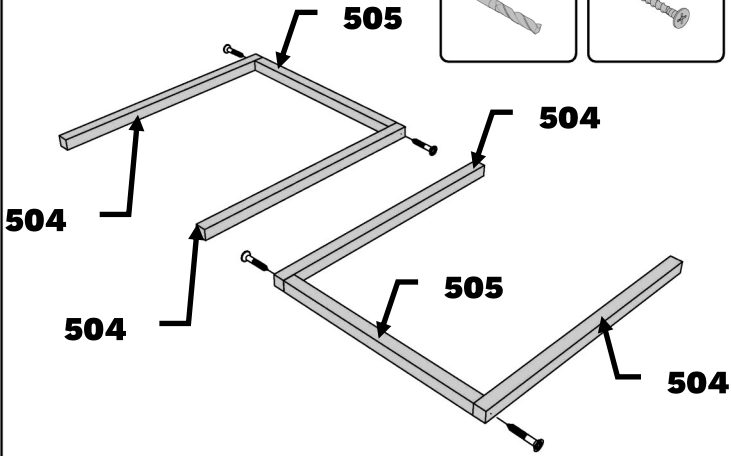
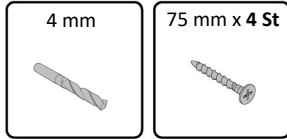


# BCWLBI1

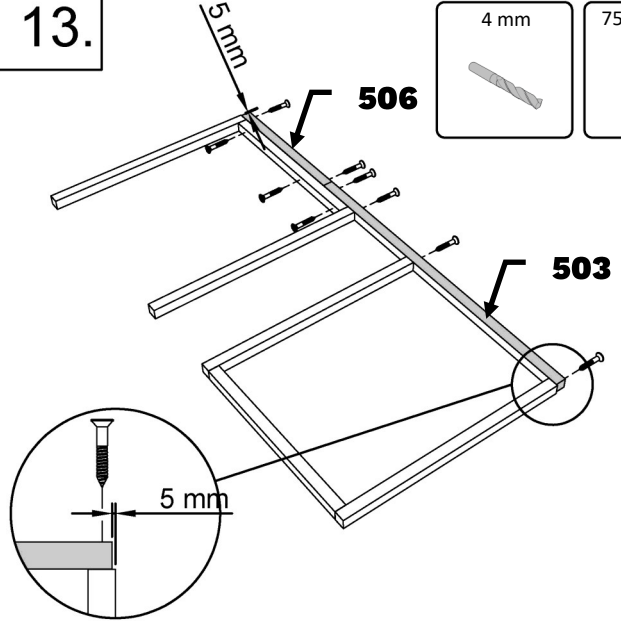
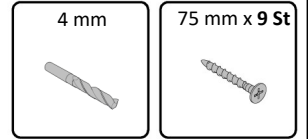


# BCWLBI1

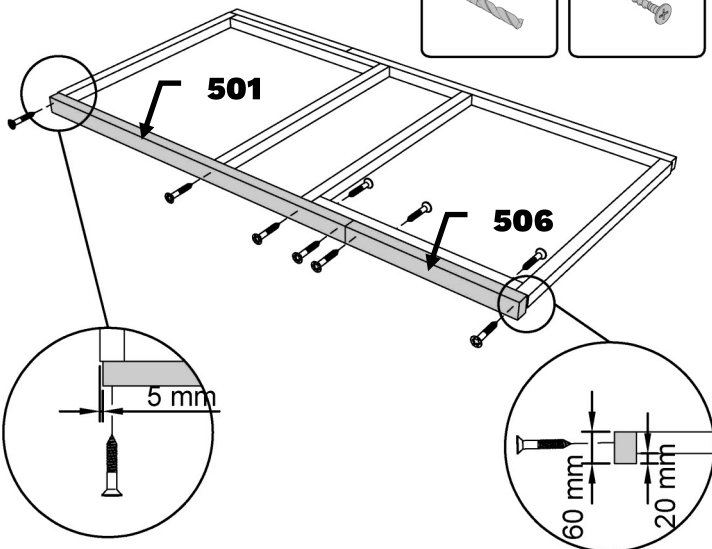
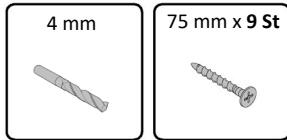
12.



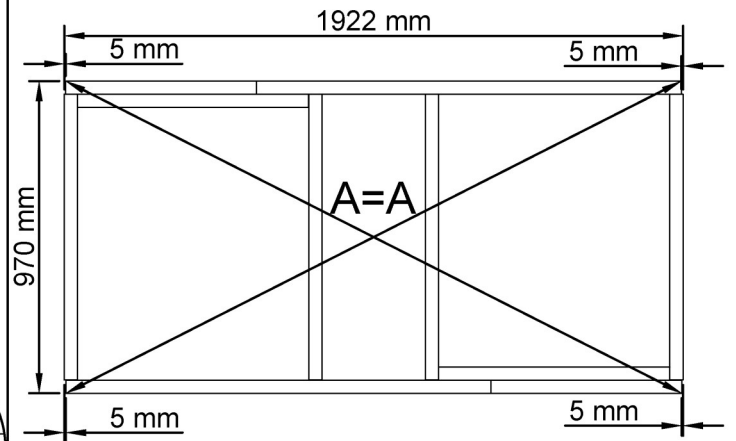
13.



14.

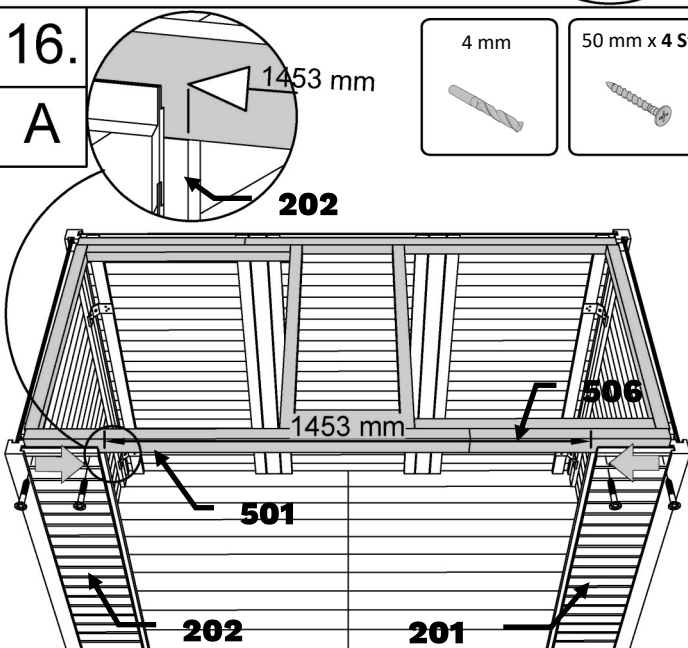
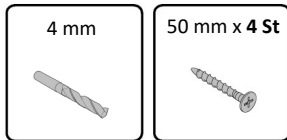


15.



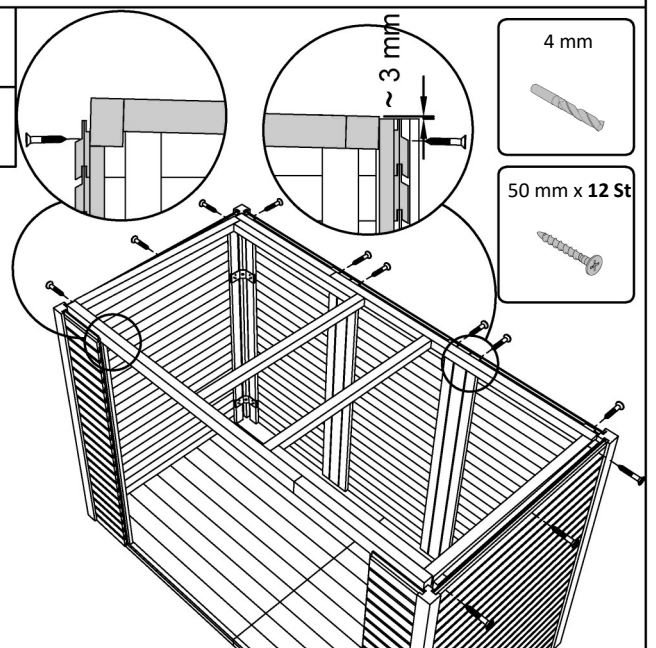
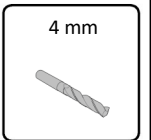
16.

A



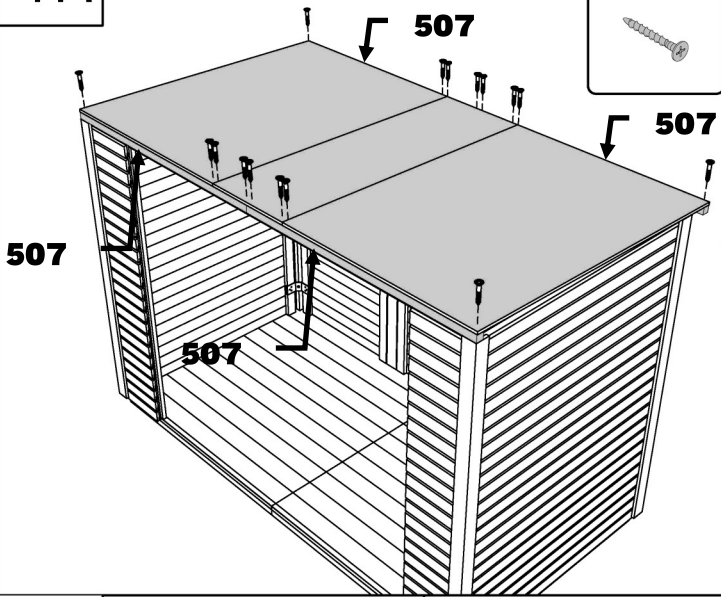
16.

B

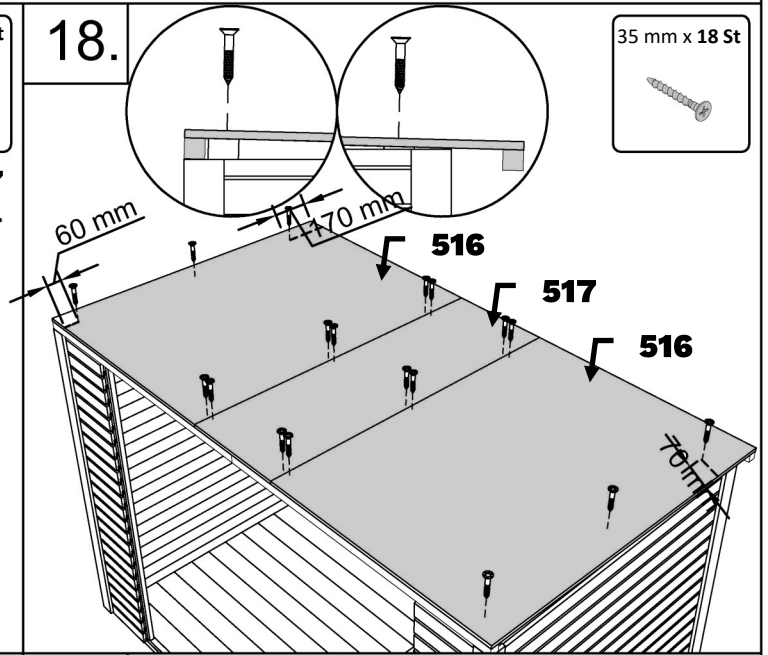


# BCWLBI1

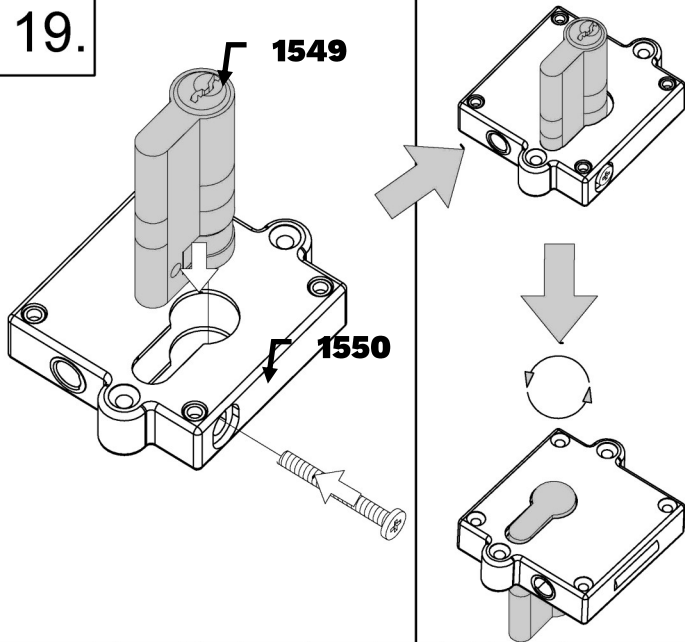
17.



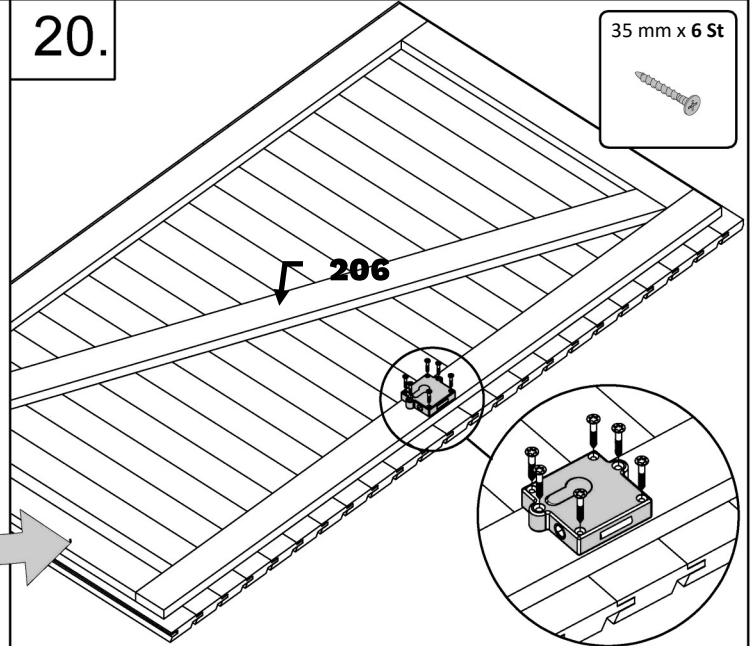
18.



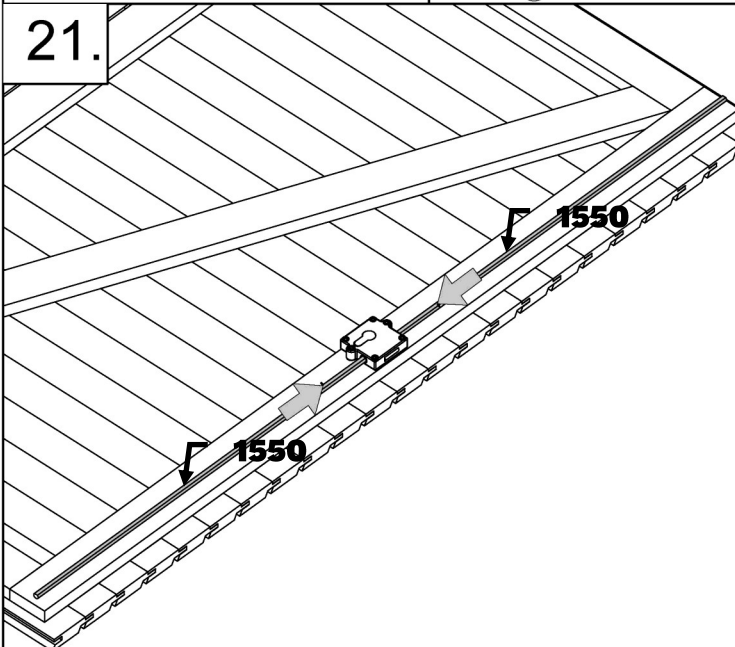
19.



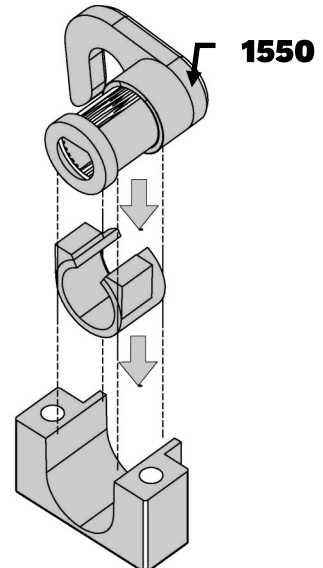
20.



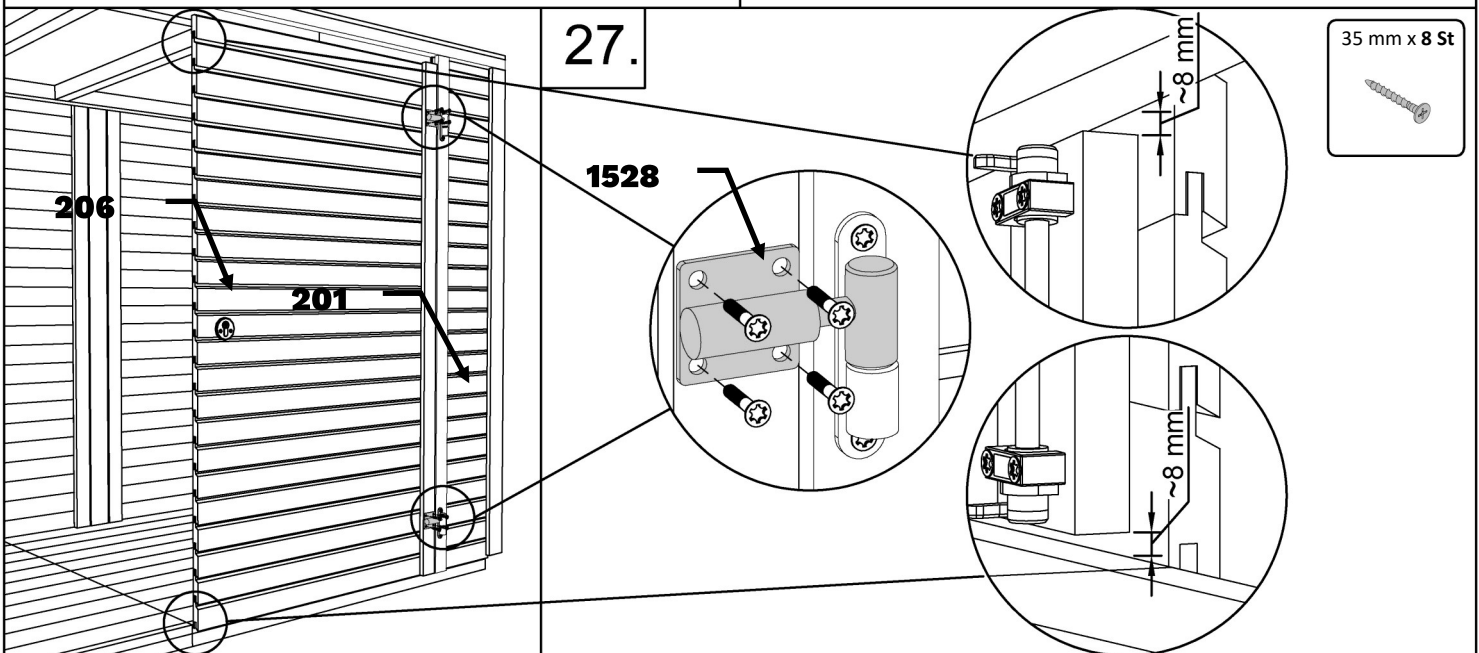
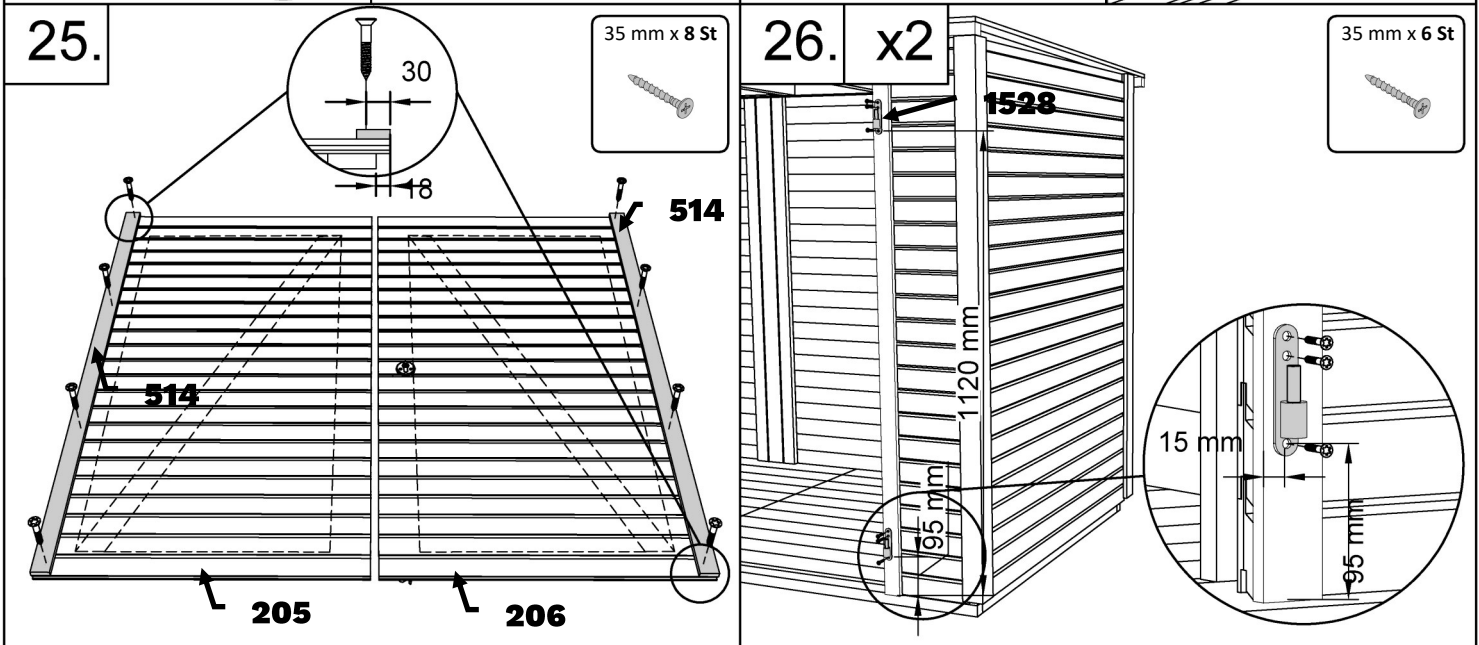
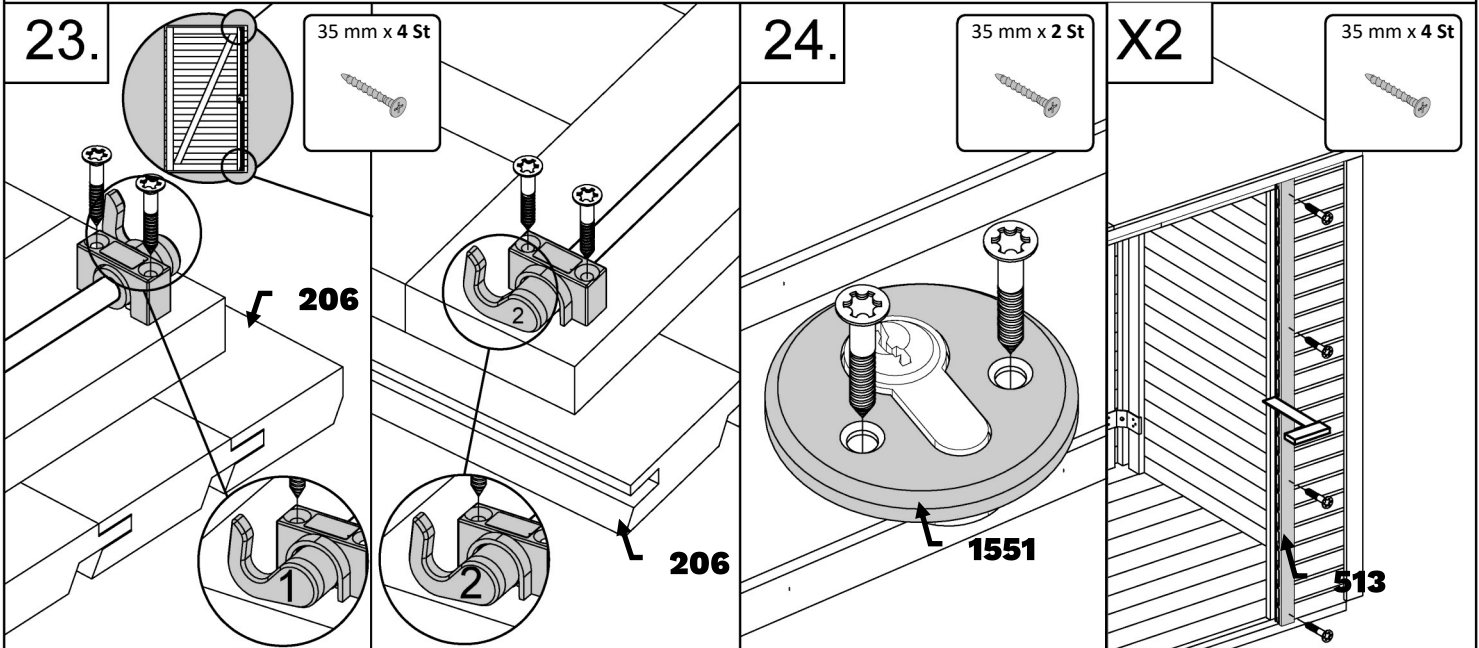
21.



22. x2

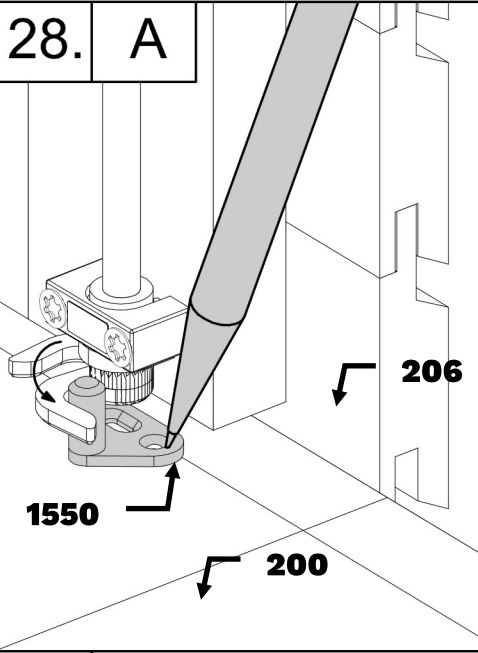


# BCWLBI1

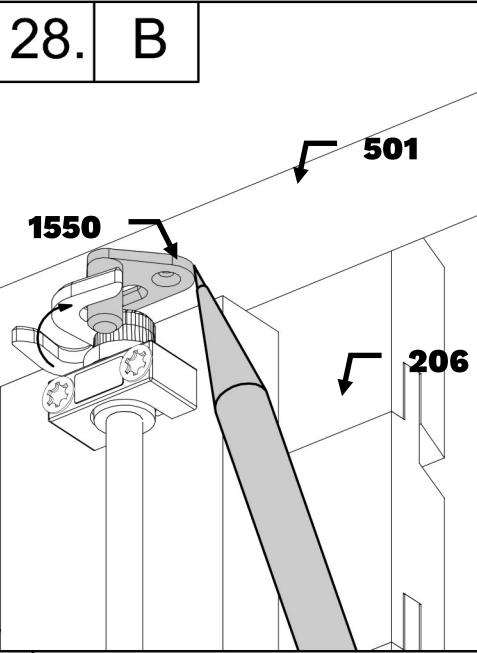


# BCWLBI1

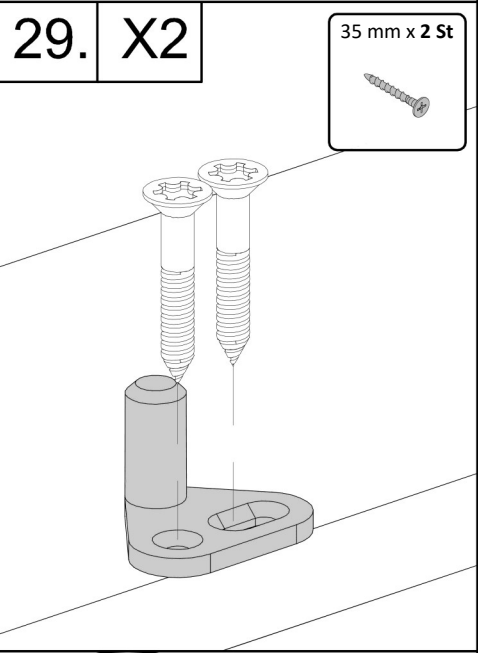
28. A



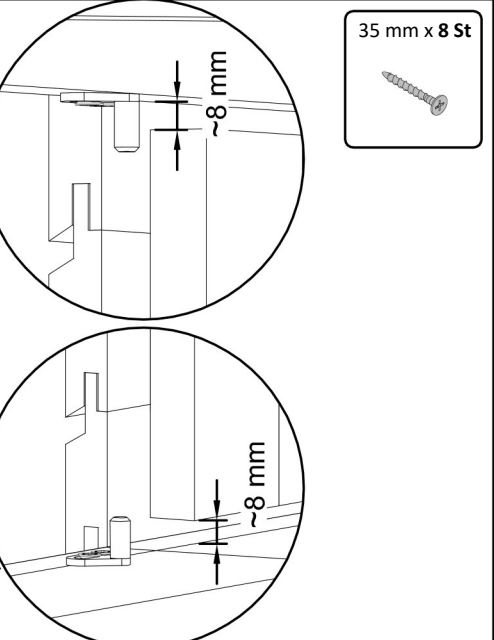
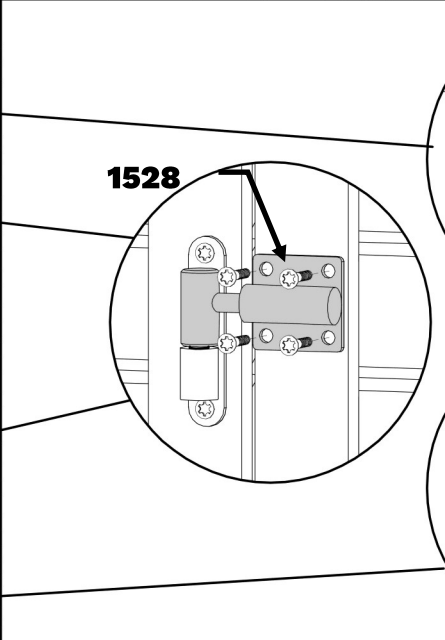
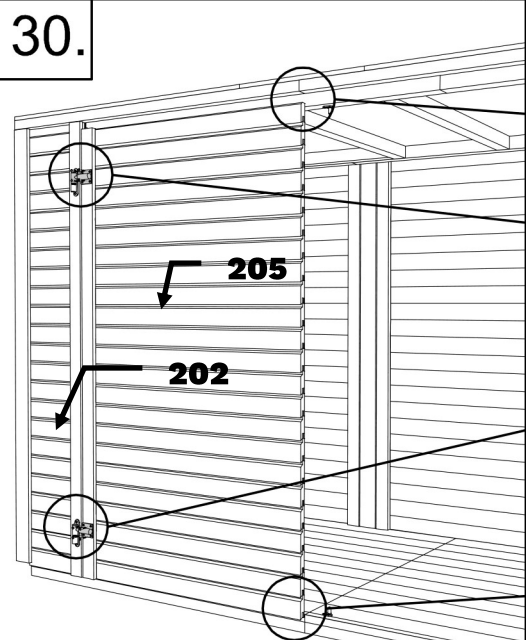
28. B



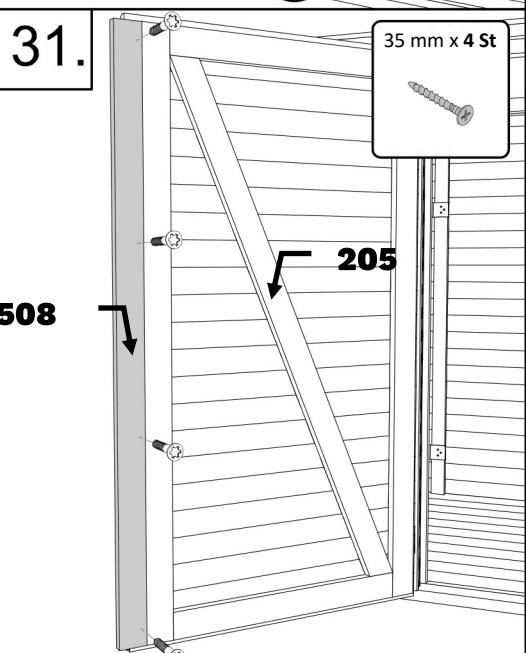
29. X2



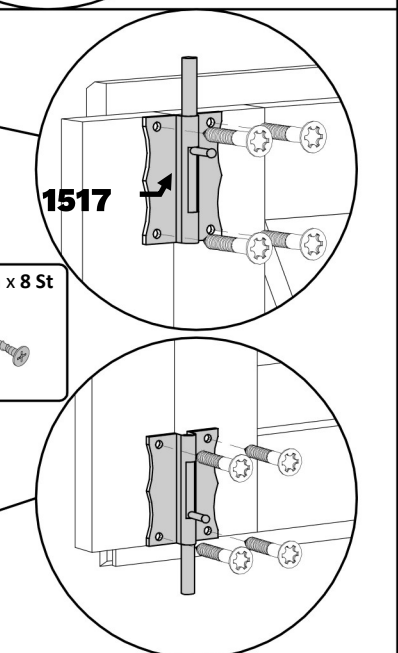
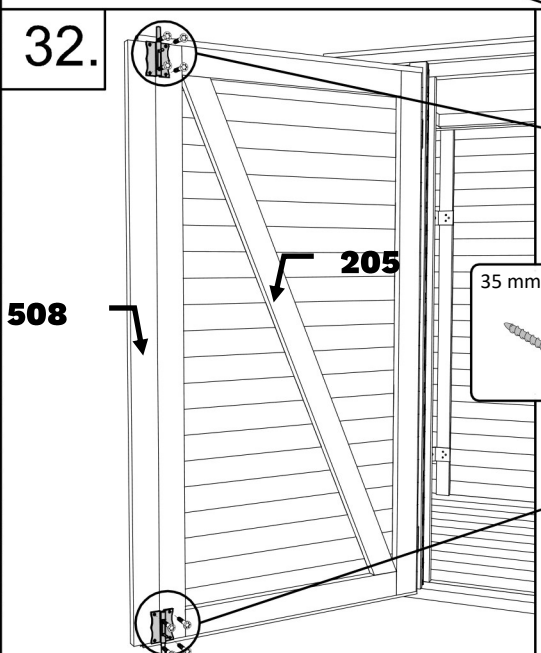
30.



31.

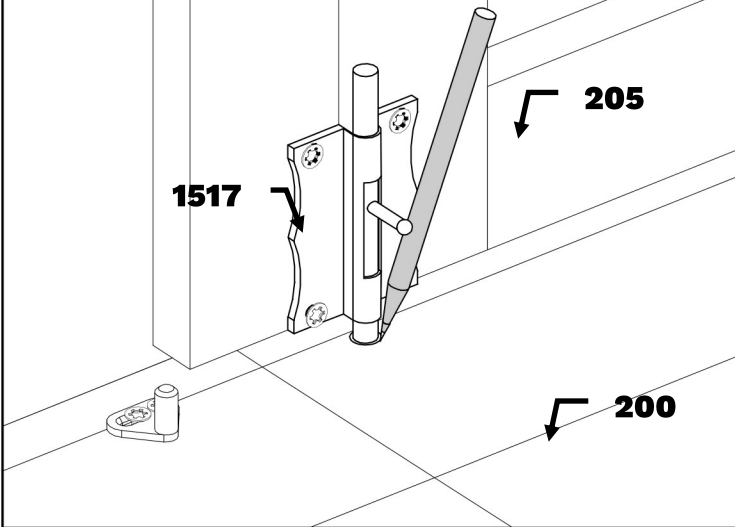


32.

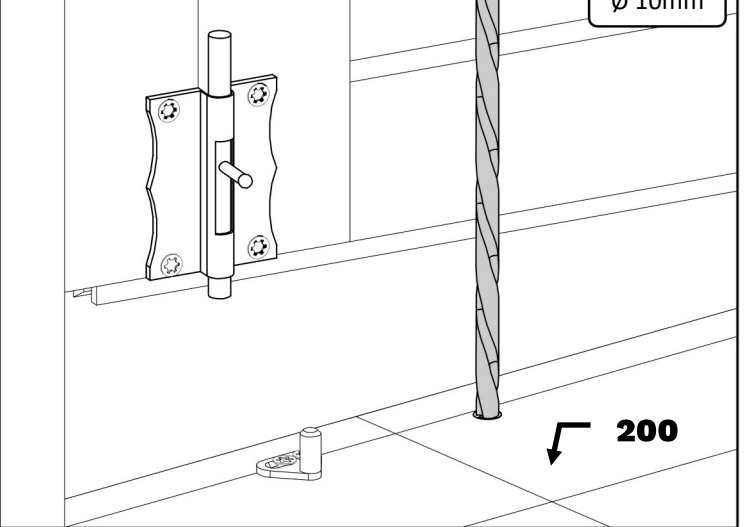


# BCWLBI1

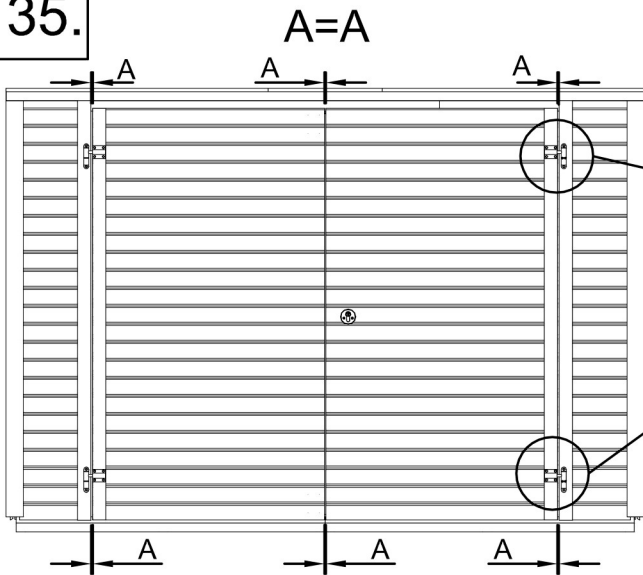
33. X2



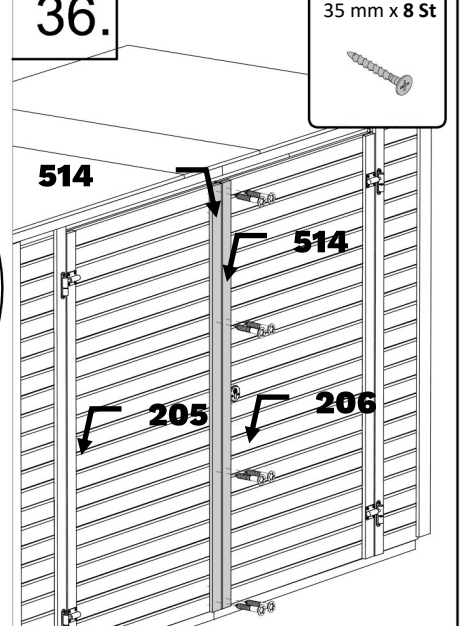
34. X2



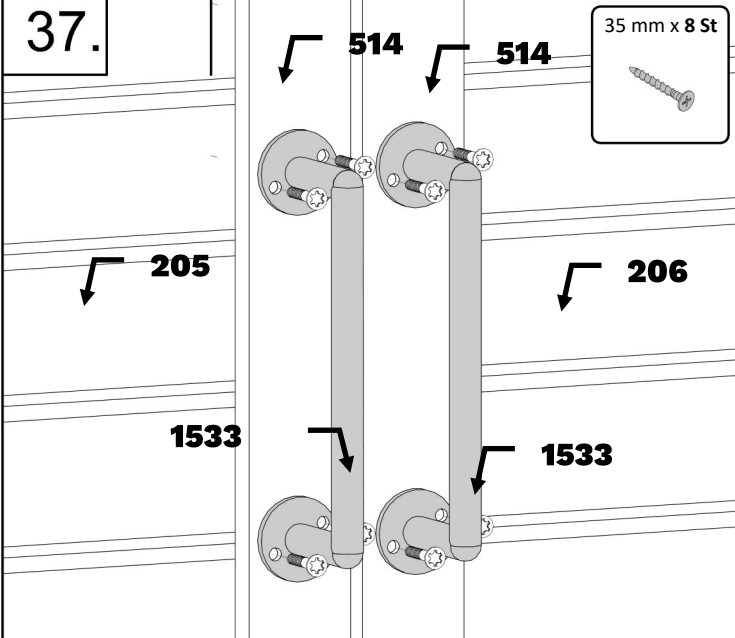
35.



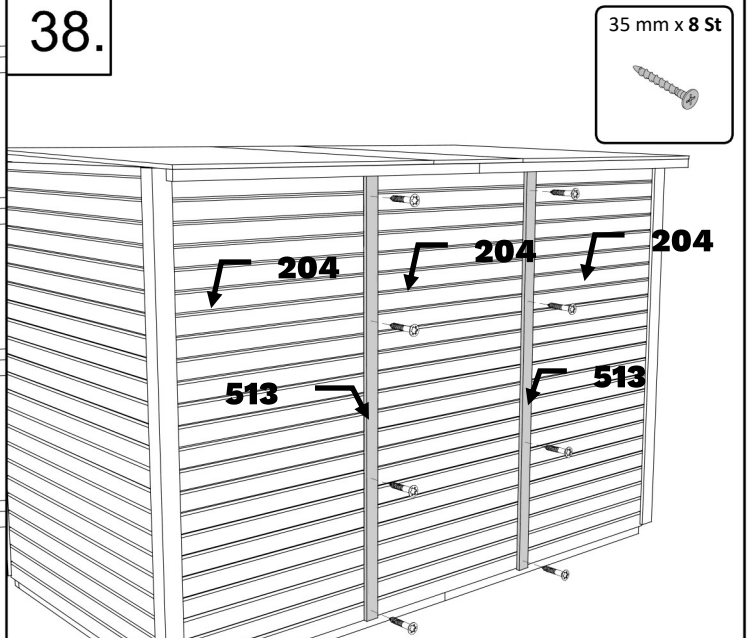
36.



37.



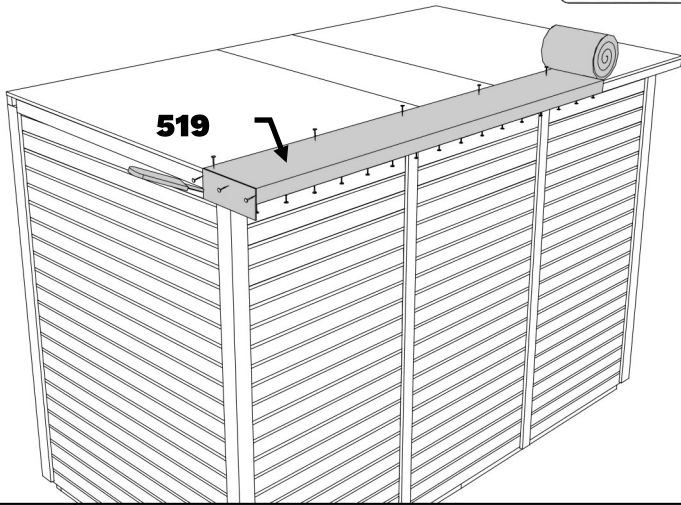
38.



# BCWLBI1

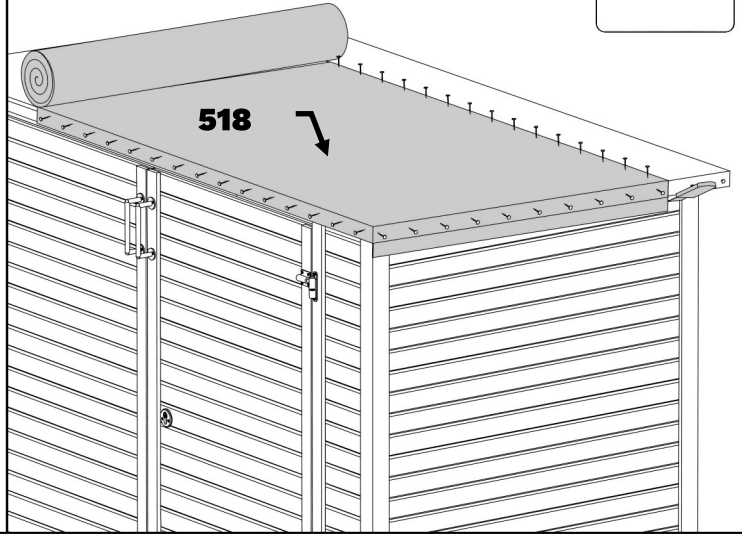
39.

10 mm x 40 St



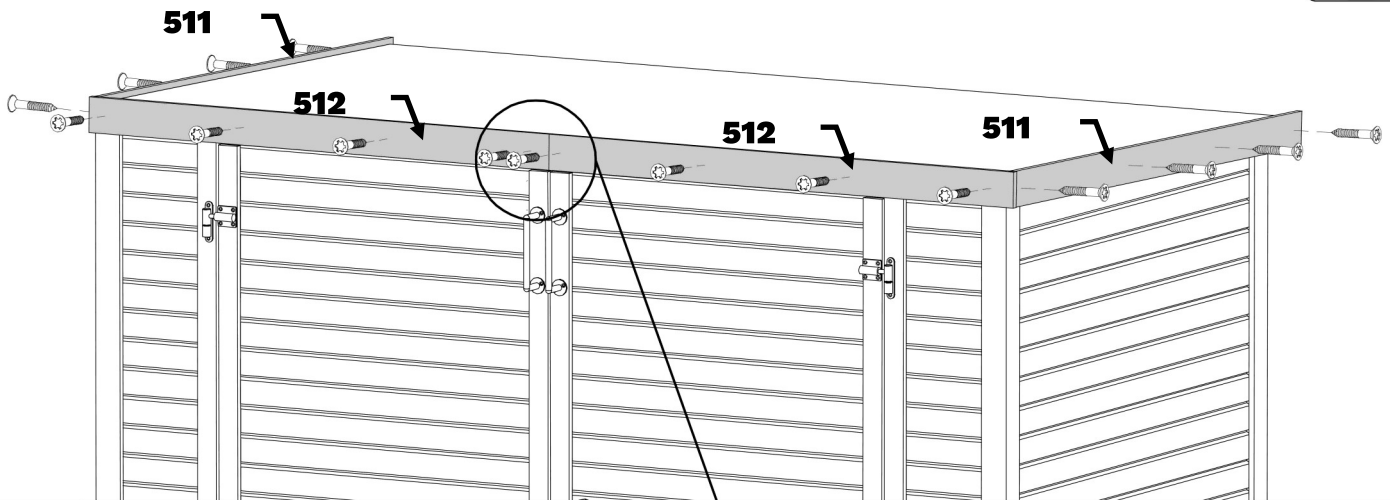
40.

10 mm x 80 St



41.

35 mm x 16 St



42.

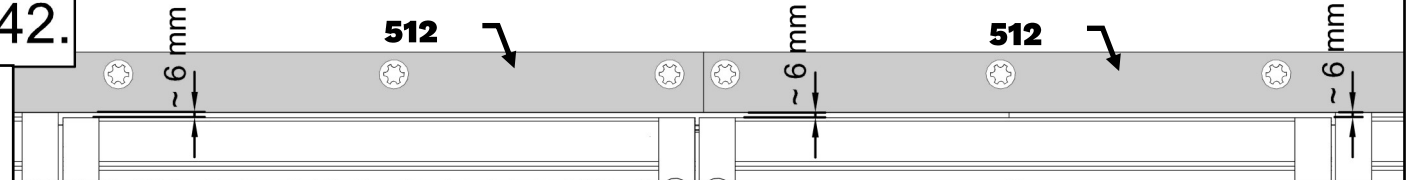
6 mm

512

6 mm

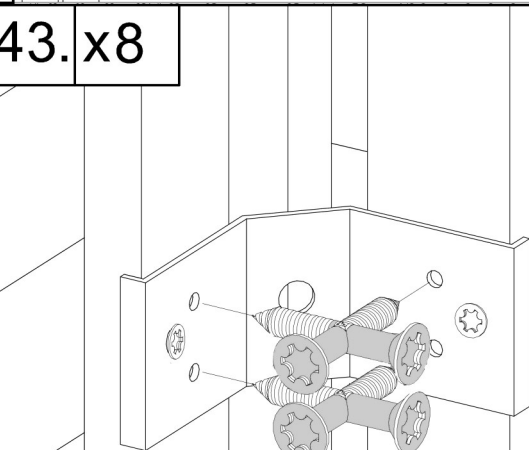
512

6 mm



43. x8

35 mm x 4 St



44. x8

60 mm x 1 St

