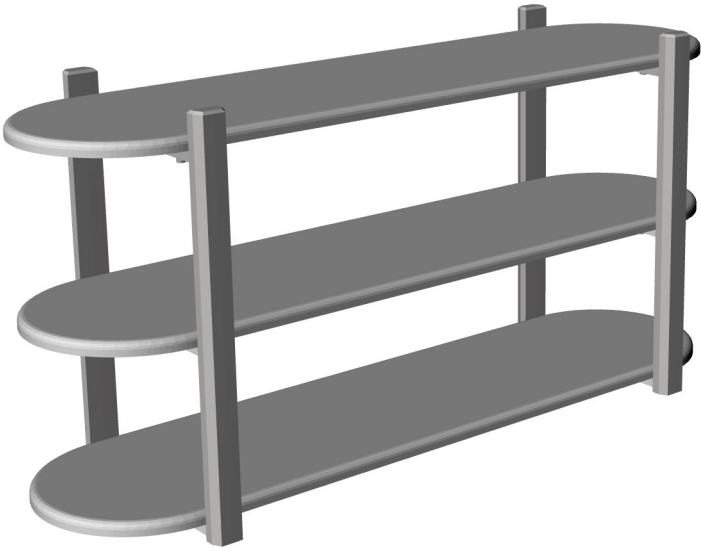


Owner Manual



15 : 00

estimated
assembly time



2 or more

people required

Ok, let's
get started!



- Put on mood music!
- To prevent damage to product, use the clean side of package carton or rug as working surface.
- In the event of missing or damaged parts, delivery problems etc., please reach out to our team. We will be happy to fix the problem!

care guide

- Clean regularly with a soft and dry cloth.
- To protect finish, avoid use of abrasive cleaners.
- Wipe up spills immediately. Please!

ⓘ **While assembling the product, tighten the bolts up to 50%. Once all parts are in place, only then fully tighten the bolts.**



product parts



A
Shelf
x3

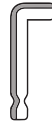


B
Legs
x2

what's included



(C) - L Key Bolt
(8X35 MM)
X12



(D) - Allen Key
x1



(E) - Lock Washer
(8 x 15mm)
x12



(F) - Flat Washer
(8 x 18mm)
x12

assembly instructions

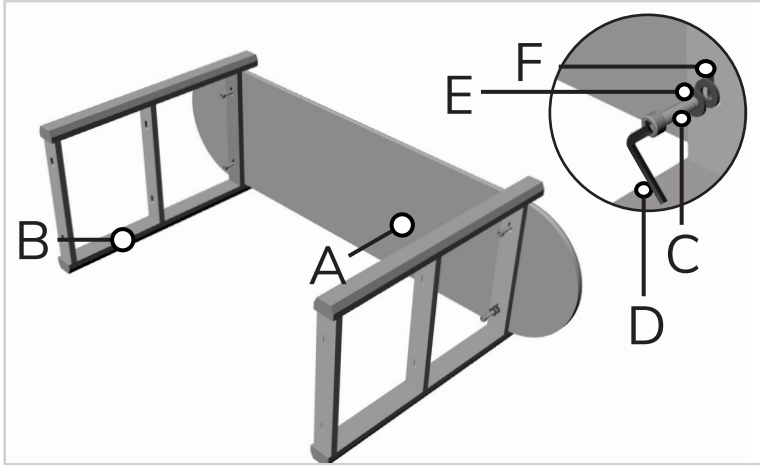
Friendly Tip: Take a deep breath going in. This may be a tricky part, but nothing too overwhelming. Just follow these steps to the T and the outcome will be worth it!



- ⓘ While assembling the product, tighten the bolts up to 50%. Once all parts are in place, only then fully tighten the bolts.

step 1:

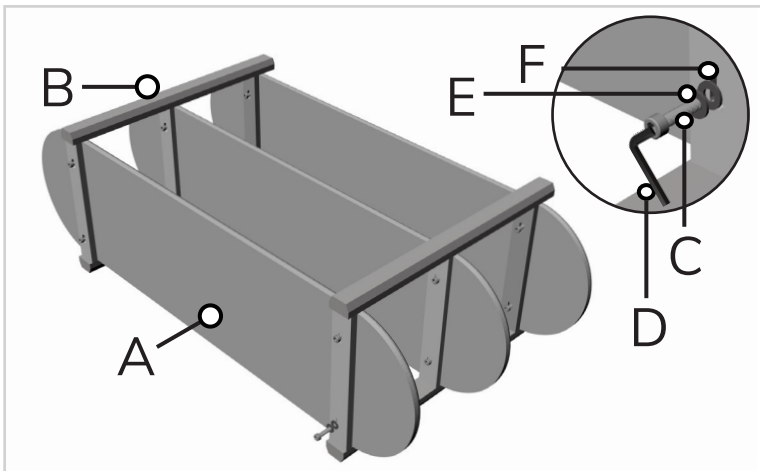
Start by placing the legs (B) horizontally as shown in the image. Now, align the top shelf (A) with the slots given on the legs and secure them in place using a lock washer (E), flat washer (F), and bolt (C). Tighten the points up to 50% using allen key.



step 2:

Repeat the same step with the middle and bottom shelf (A). Tighten the screws fully using allen key (D).

If required, adjust the leveller according to the floor.



Voilà! Your table is now assembled and secure!