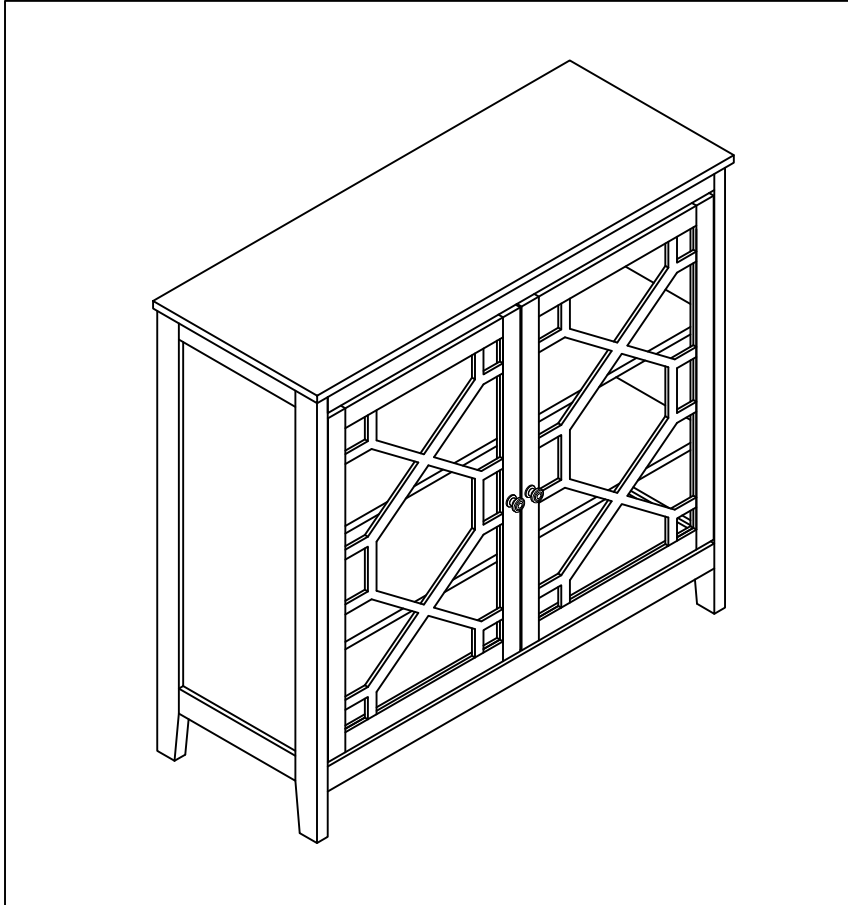


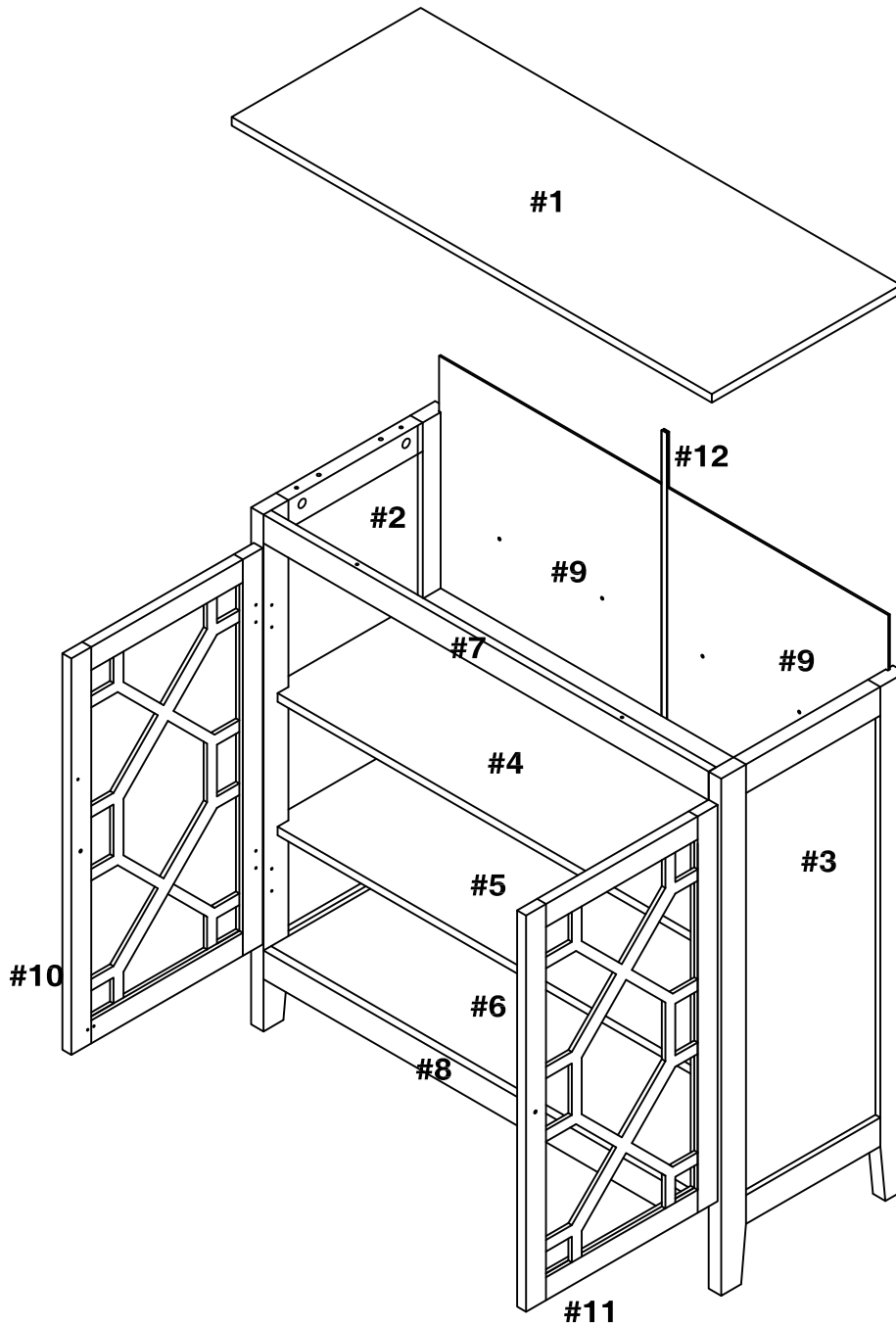
LARGE CABINET



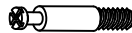








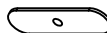
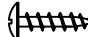


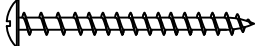




Part List

#1	Top panel	01
#2	Left frame	01
#3	Right frame	01
#4	Upper shelf	01
#5	Center shelf	01
#6	Bottom shelf	01


#7	Upper rail	01
#8	Bottom rail	01
#9	Back panel	02
#10	Left door	01
#11	Right door	01
#12	Back panel support	01



Hardware List

A	Cam bolt		24
B	Cam lock		24
C	Wood dowel (Ø6x30mm)		12
D	Magnet		01
E	Screw (Ø3x14mm)		32
F	Hinge		04
G	Plastic connector		04
H	Knob		02
I	Bolt for knob (Ø4x18mm)		02
J	Magnet plate		02
K	Screw (Ø4x12mm)		01
L	Flat washer		02
M	Strap		01
N	Screw (Ø4x35mm)		01
O	Wall anchor		01
P	Screw (Ø3x12mm)		08
Q	Clip plate		02
R	Door clip		02

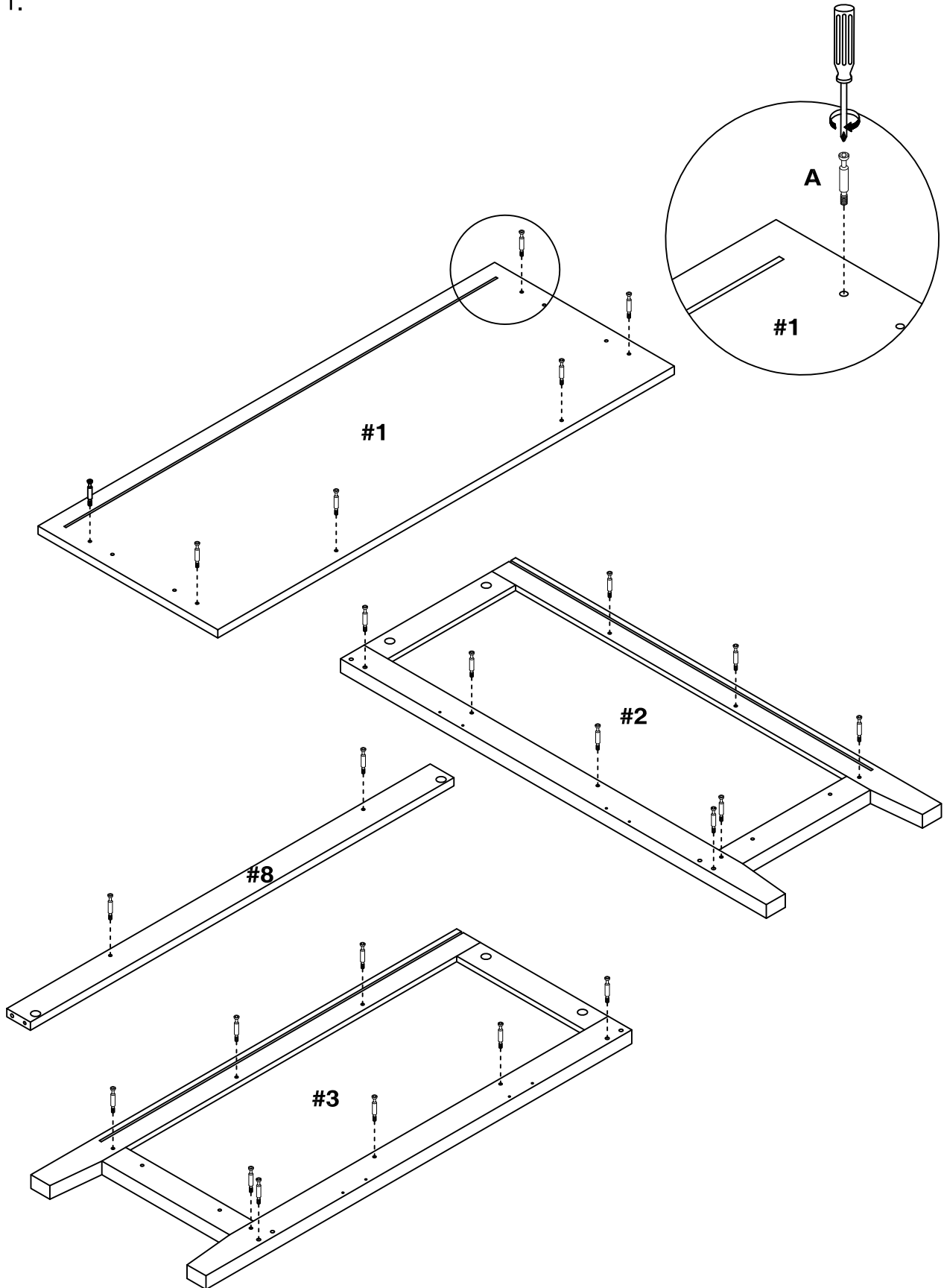
Tools Required

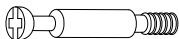
Philips screwdriver		Not supplied
---------------------	--	--------------

IMPORTANT:

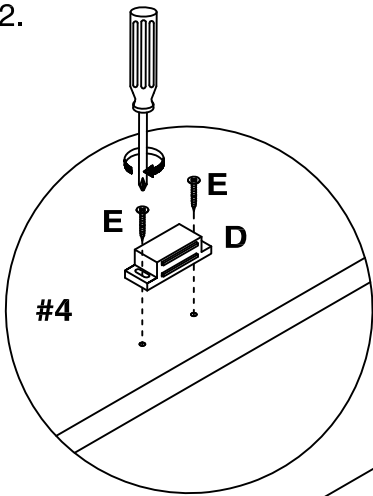
1. Do not tighten bolts completely until all bolts are completely lined up and inserted into holes / nuts.
2. Do not over tighten screws and bolts to avoid stripping.
3. Please use hand tools to assemble this product. Do not use power tools.

1.

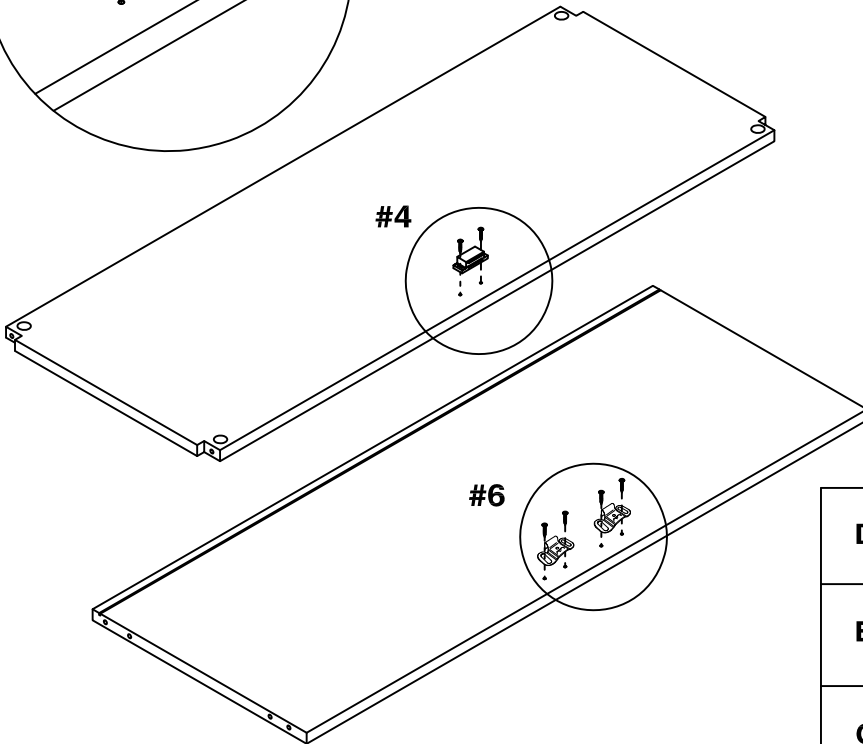


A		24
---	---	----

2.

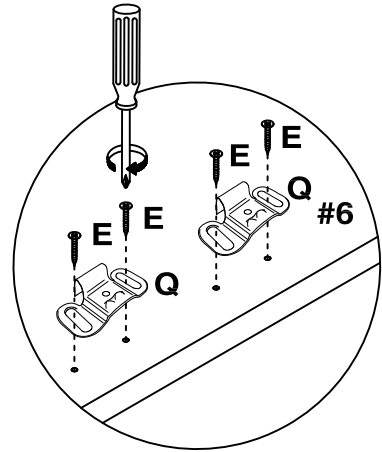


#4


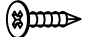



#4

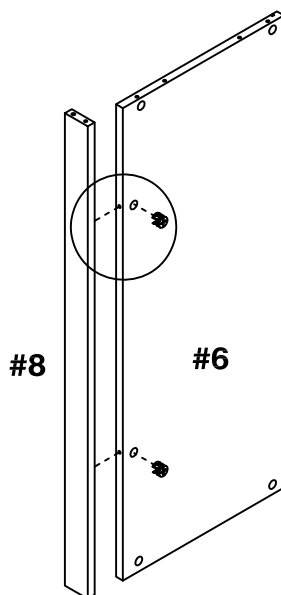
#6



#6

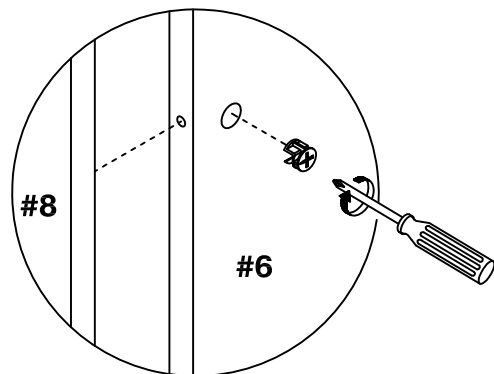
D		01
E		06
Q		02

3.



#8

#6

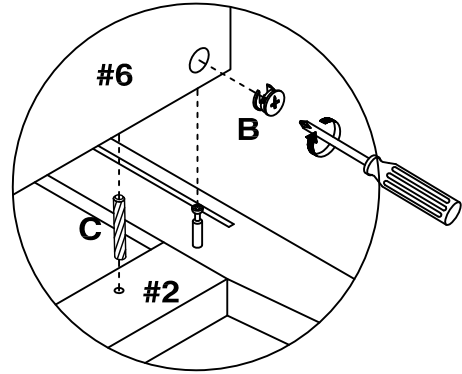
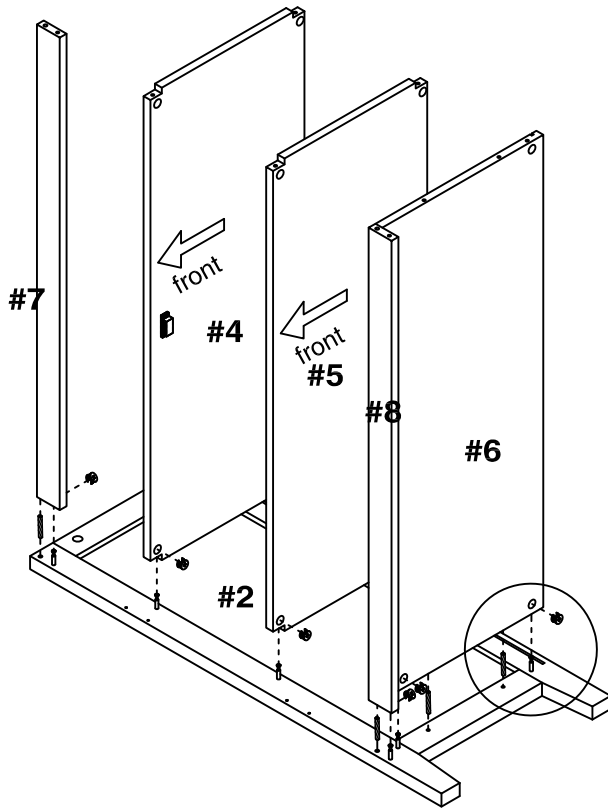



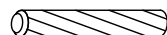
#8

#6

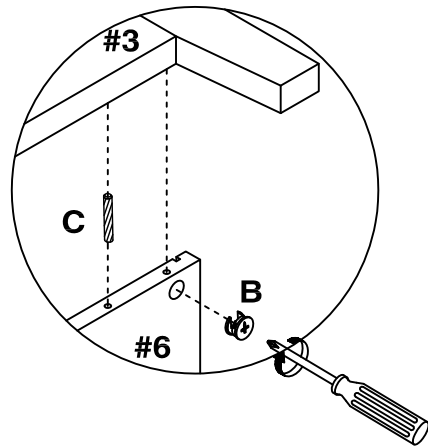
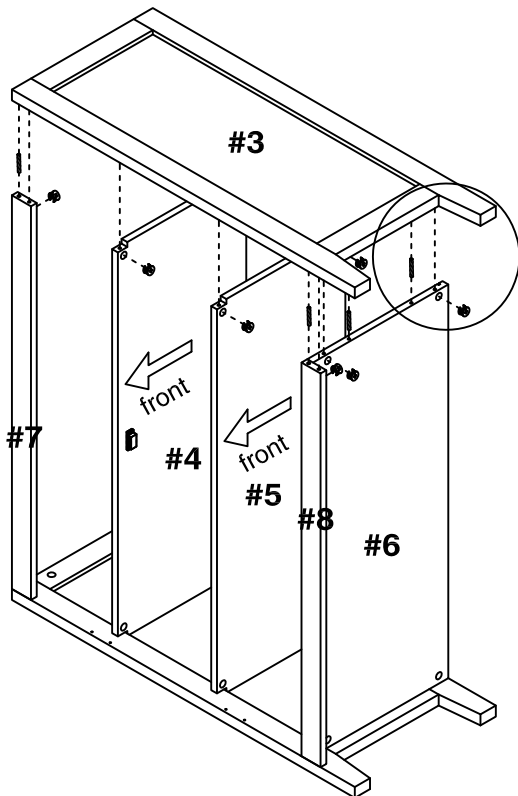
B		02
---	---	----



4.



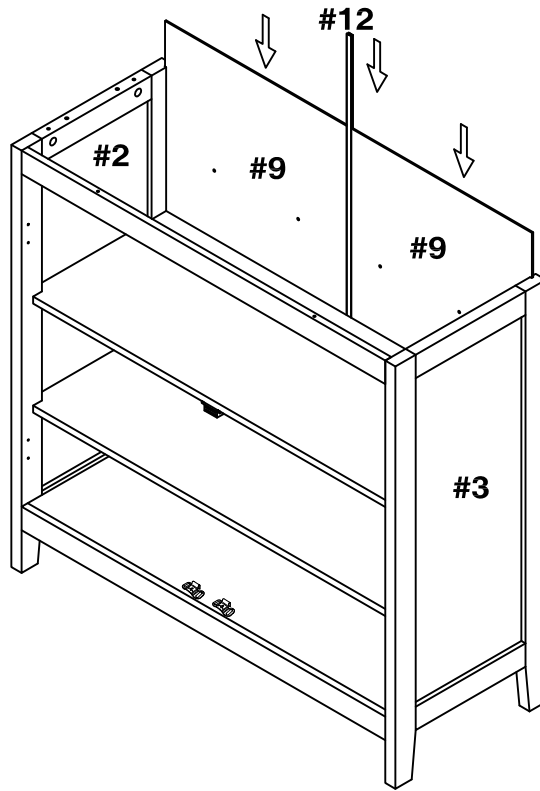
B		08
C		04

5.

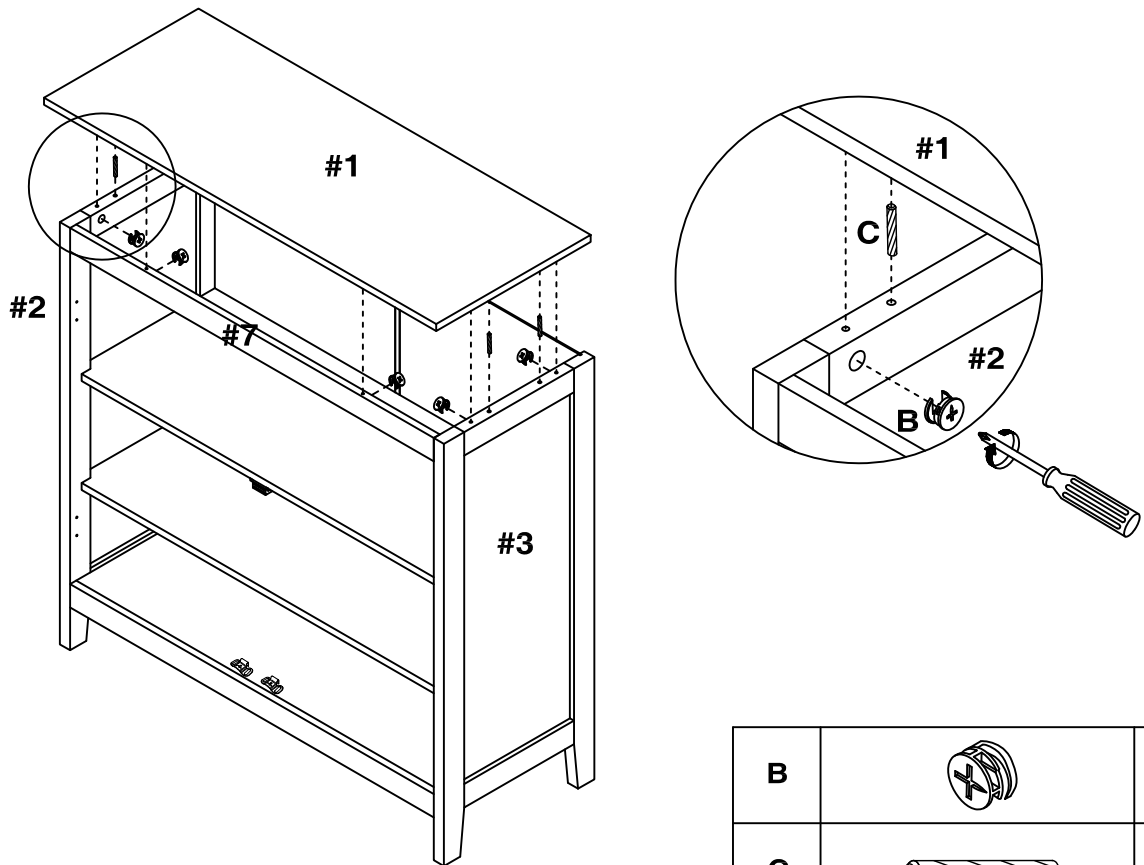




B		08
C		04

6.

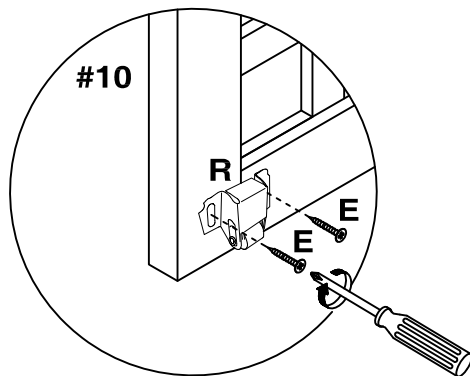
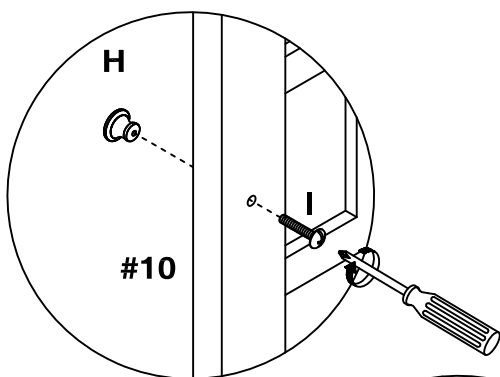
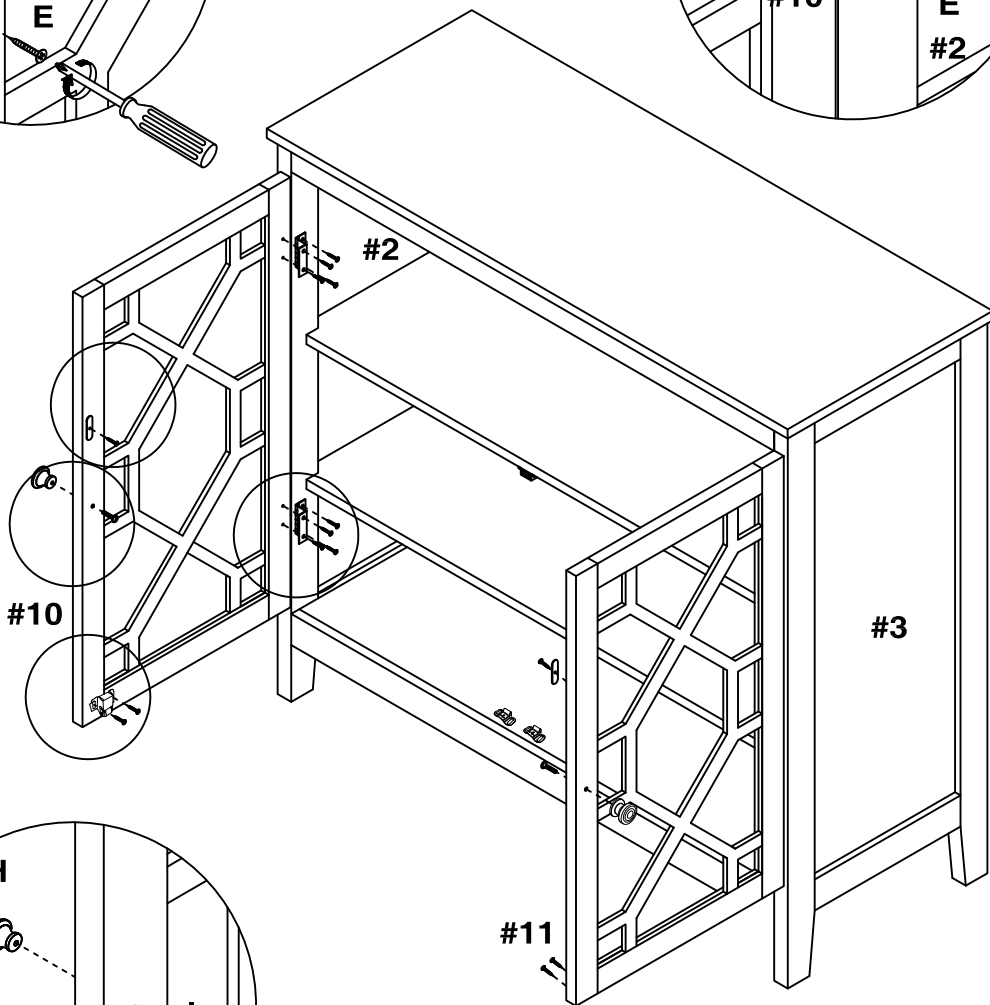
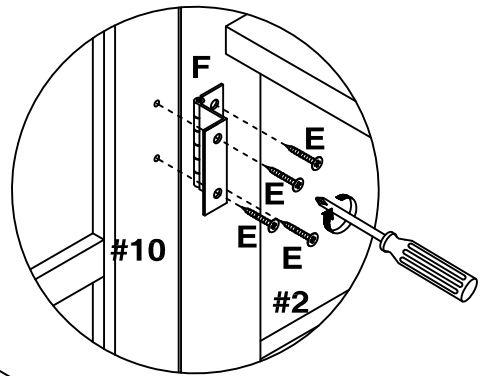
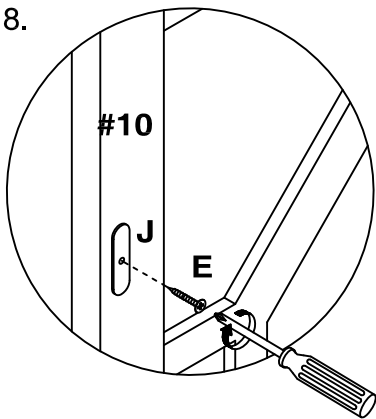


7.



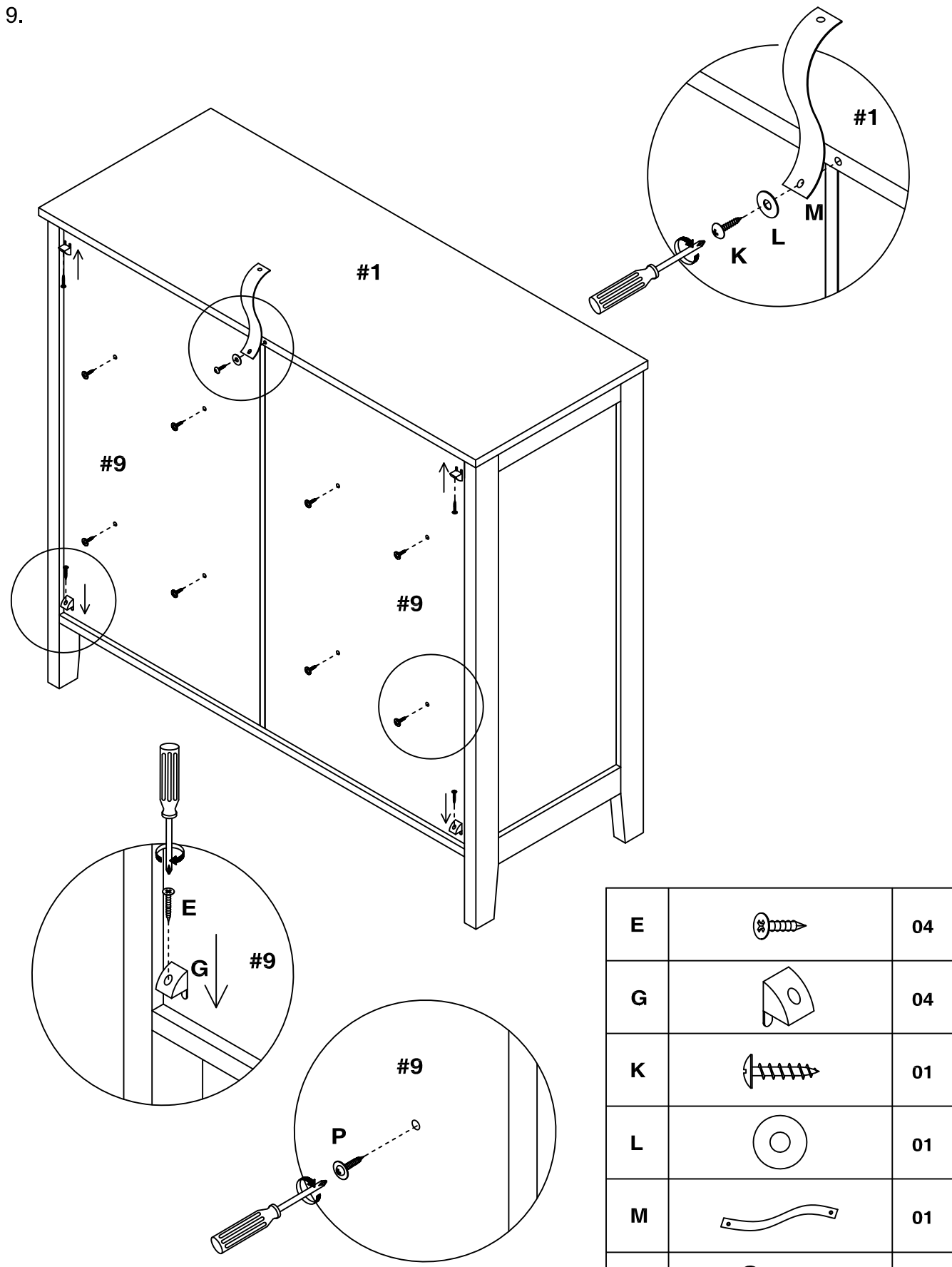
B		06
C		04

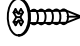

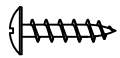
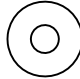

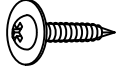
8.



E		22
F		04
H		02
I		02
J		02
R		02

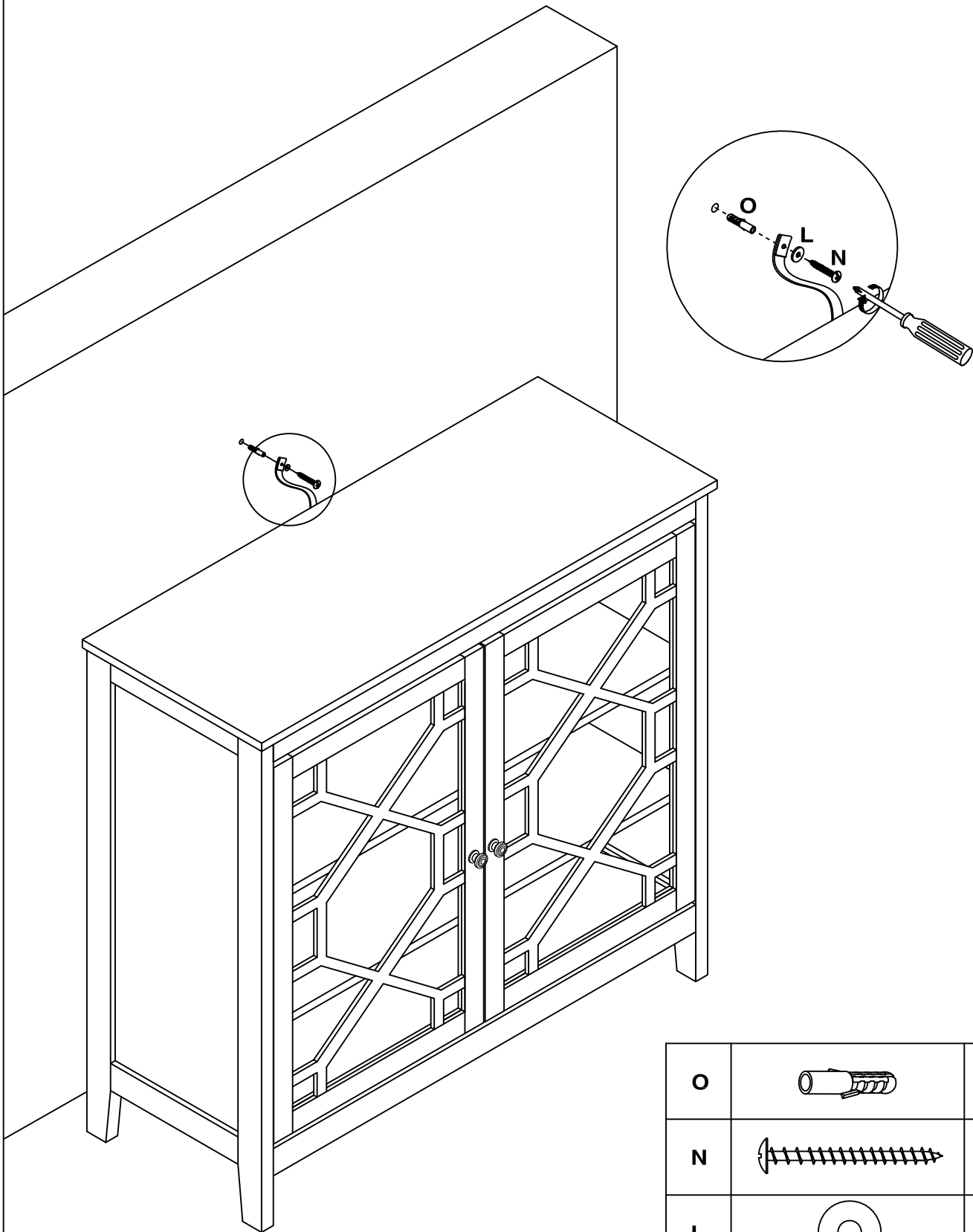
9.


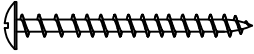
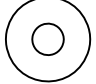


E		04
G		04
K		01
L		01
M		01
P		08

10.

PLEASE NOTE: For your safety, to prevent the danger of this unit tipping over, it is important that the wall anchors are properly attached.



O		01
N		01
L		01

MADE IN CHINA
FABRIQUÉ EN CHINE
HECHO EN CHINA