

# BLANCO SUBLINE 340/160-U

Item No. BL452743

## Pros

---



The designer line for undermount installation in SILGRANIT® PuraDur® II

- Maximum bowl size provided by the very best in production and mounting technology
- Mounting involves no additional expense
- Undermount bowl for discerning demands on design
- 2 in 1: two bowls, one cut-out panel and only one mounting procedure
- Timelessly elegant, contoured bowl design
- Entire system for a wide variety of plans featuring large and small bowls
- Elegant and hygienic: the covered C-overflow®
- Optional accessories

## Colours

---



SILGRANIT® PuraDur®

Main bowl left

Item No. BL452743

Main bowl right

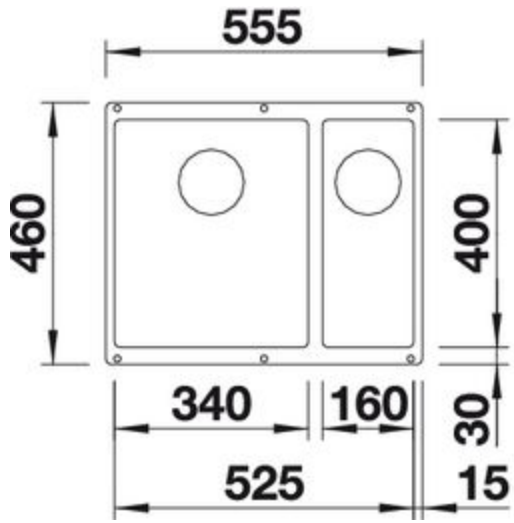
Item No. BL467816

### Available colours

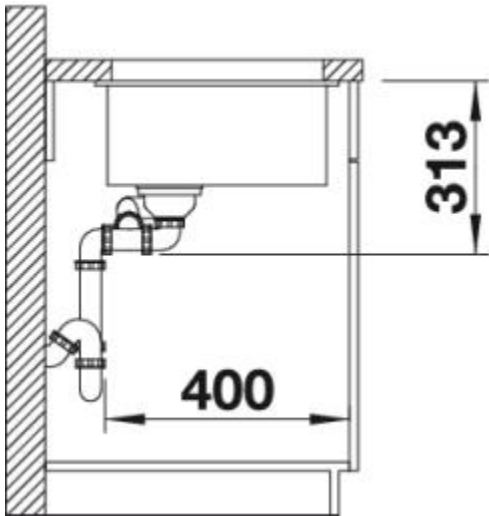


## Details

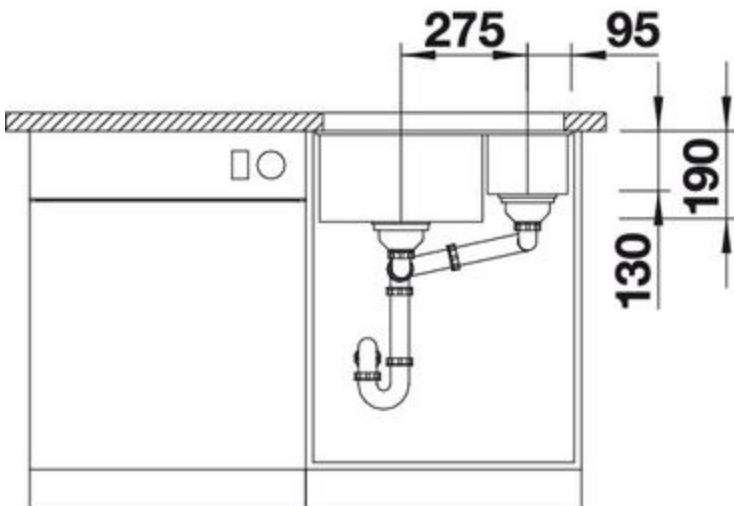
---



Top View



Side View



Front View

Scope of supply

---

two 3 1/2" basket strainers, fixing kit 218 269 included (sealing on site)

## Design tips

---

Cabinet Width: 60 cm  
Bowl depth: 190 mm / 130 mm  
Cut out size: 525 x 400 x R10

Please state hand of bowl  
Cut out information supplied with bowls.  
Cut out CNC files also available on [www.blanco.co.uk](http://www.blanco.co.uk) for download.

## Taps

---



BLANCO LINEE-S  
tartufo / chrome  
BM2200TF



BLANCO OPERA  
chrome  
BM6000CH



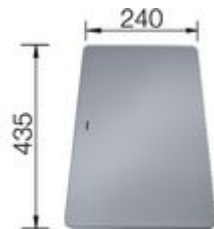
BLANCO CULINA-S Mini  
chrome  
BM4600CH

## Optional Accessories

---



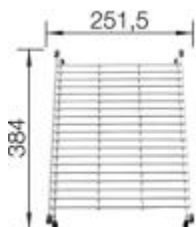
Chopping board  
BL230700



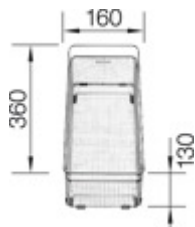
Cutting board  
BL227697



Colander  
BL227689



Floating grid  
BL233542



Colander  
BL223297

BLANCO UK Limited

Tel: 01923 635200

Fax: 0800 0911608

› [www.blanco.co.uk](http://www.blanco.co.uk)