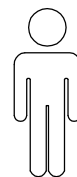
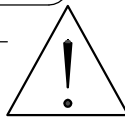
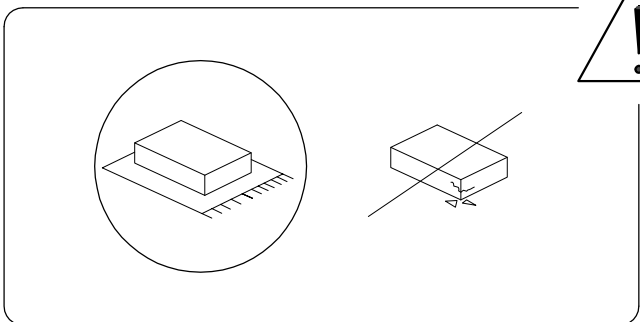
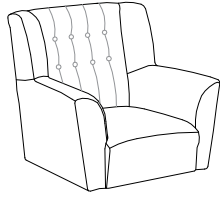


10'



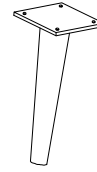
1

A



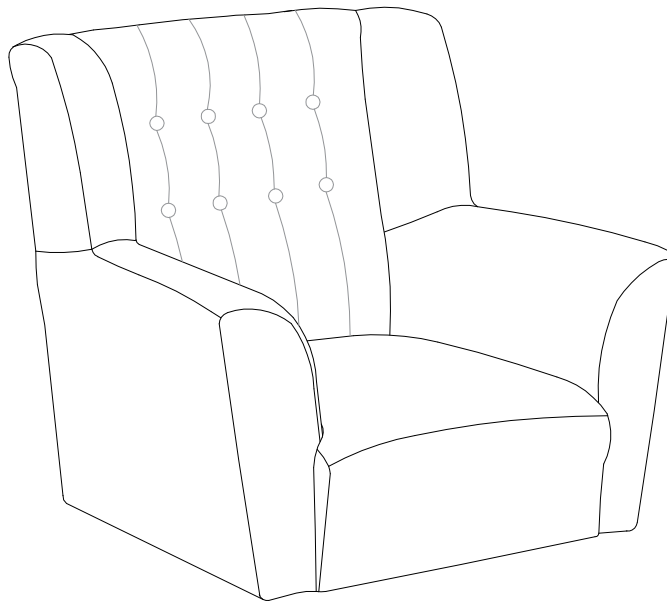
x 1

B

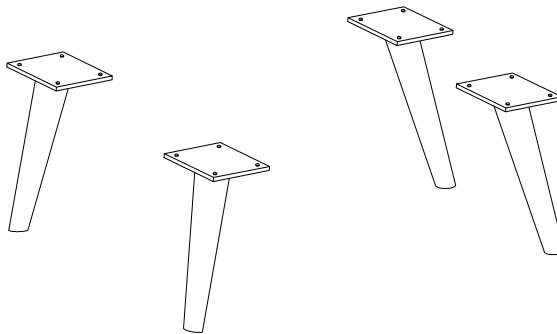


x 4

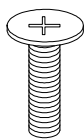
A



B x 4



C



**M6
x
20**

x 16

D



x 1

1

