

INSTRUCTION MANUAL

Wicker Swivel Chair Set

Customer Service

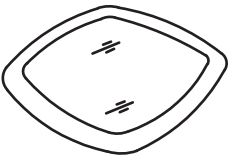




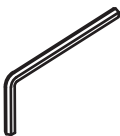





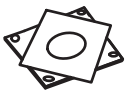







Thanks for choosing our wicker swivel chair set. If you are happy with your shopping experience, here we offer some suggestions for you to express your happy feelings

1. Share your happy shopping experience with your family and friends.
2. Write a review to let others know about your satisfaction.

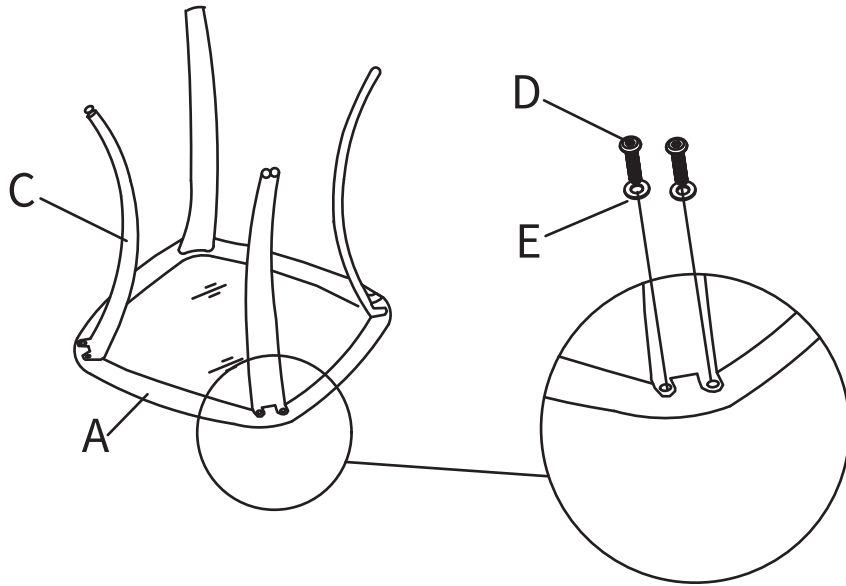
If you encounter any issues such as missing or broken parts, or if you need further assistance, please contact our customer service online via email.

Notice:

1. Before fixing all screws, it is recommended to tighten them by 50%. We suggest using an electric drill to speed up the assembly.
2. Place the item on a flat surface to ensure stability.
3. Gradually tighten all screws using the provided tools.
4. If the screws do not align with the holes during assembly, please loosen all the other screws by 50% and continue the assembly process.
5. If the item is not stable, please loosen all the screws, adjust it on a flat surface, and then tighten all the screws again.

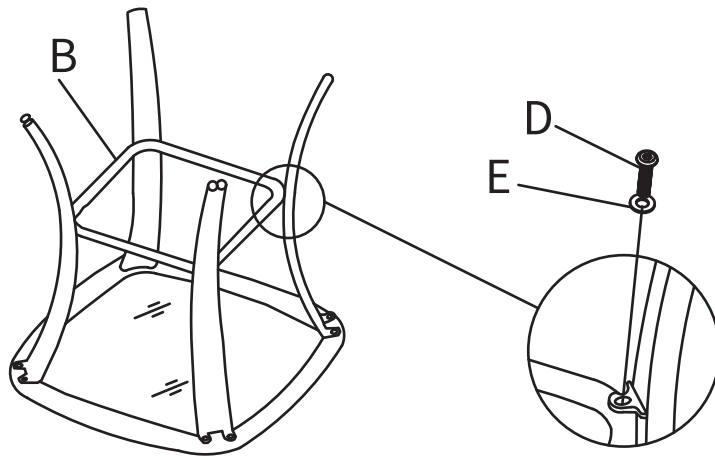
<p>A</p>  <p>1PC</p>	<p>B</p>  <p>1PC</p>	<p>C</p>  <p>4PCS</p>	<p>D</p>  <p>M6*15</p> <p>12PCS</p>
<p>E</p>  <p>52PCS</p>	<p>F</p>  <p>1PC</p>	<p>G</p>  <p>2PCS</p>	<p>H</p>  <p>2PCS</p>
<p>I</p>  <p>2PCS</p>	<p>J</p>  <p>2PCS</p>	<p>K</p>  <p>M6*35</p> <p>36PCS</p>	<p>L</p>  <p>2PCS</p>
<p>M</p>  <p>2PCS</p>	<p>N</p>  <p>2PCS</p>	<p>O</p>  <p>2PCS</p>	<p>P</p>  <p>2PCS</p>
<p>Q</p>  <p>16PCS</p>	<p>R</p>  <p>16PCS</p>	<p>S</p>  <p>1PC</p>	

1

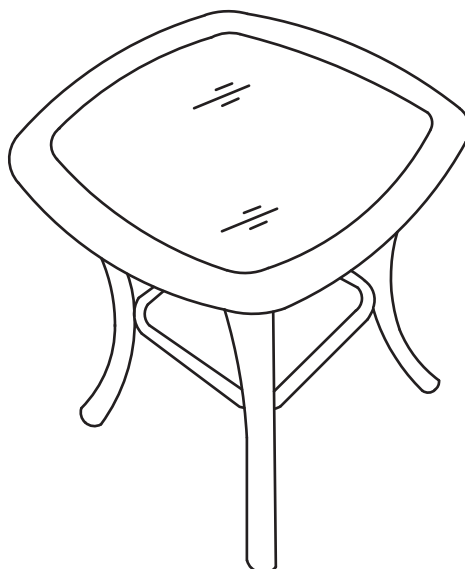


Please do not fully tighten the screws until you finish step 2

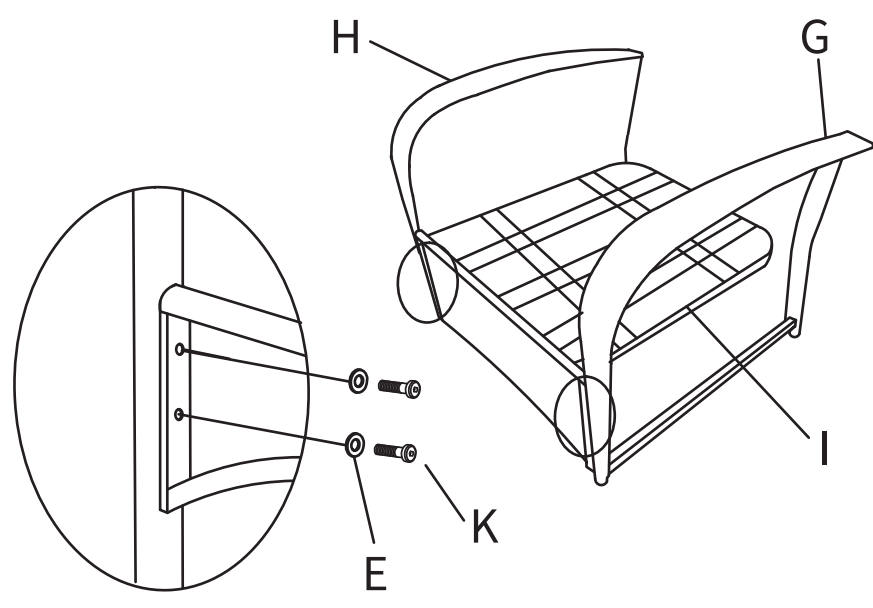
2



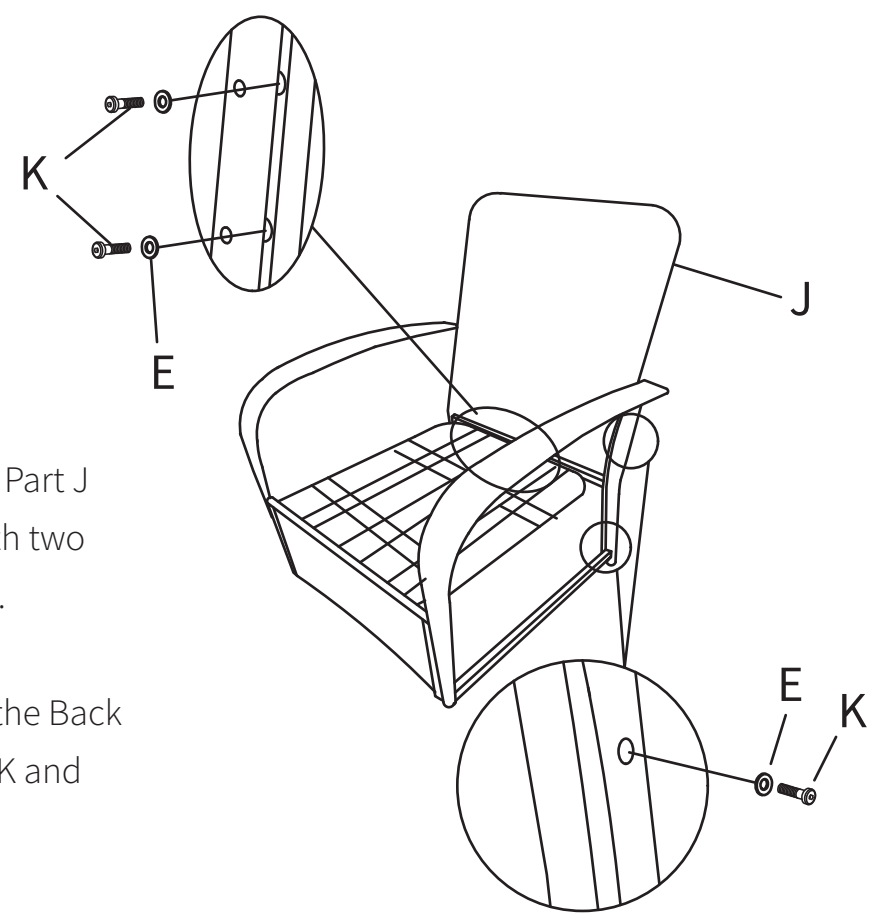
3



4



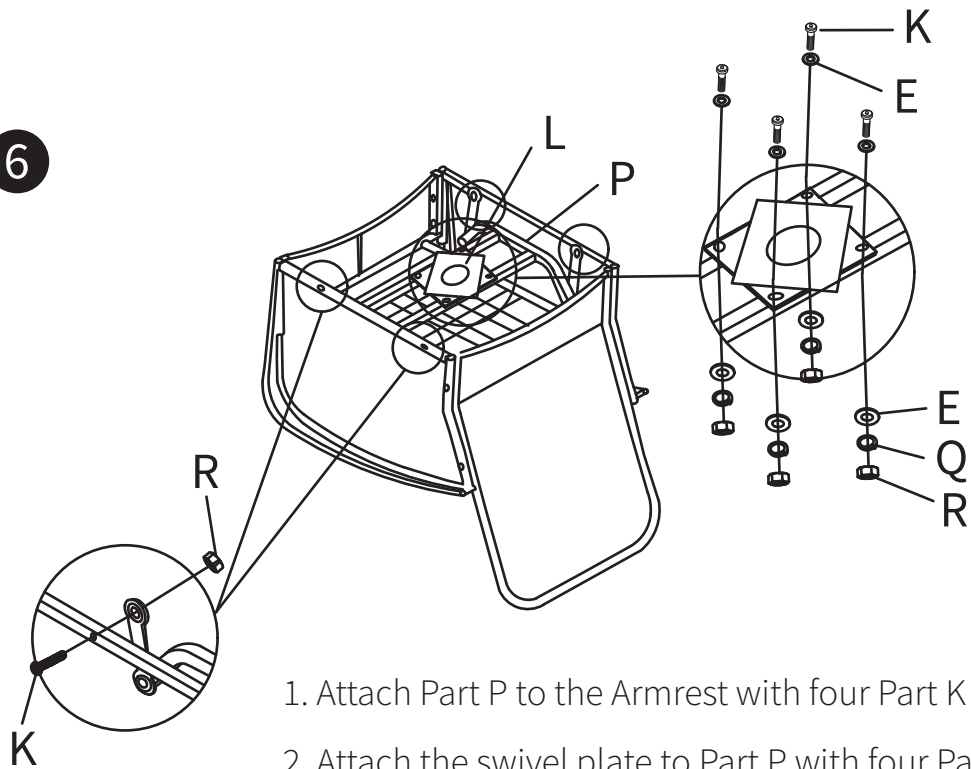
5



1. Attach Back Frame Part J to the Seat Frame with two Part K and two Part E.

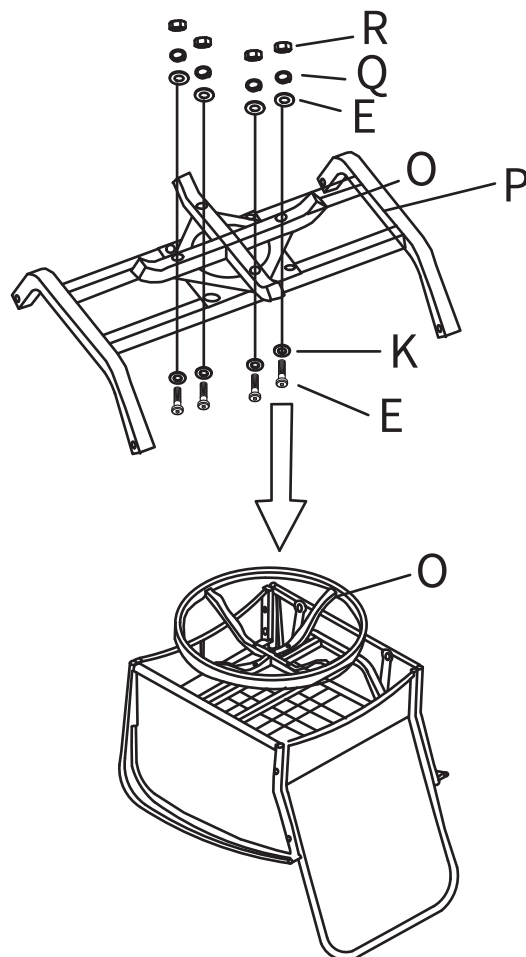
2. Attach Armrest to the Back Frame with four Part K and four Part E

6



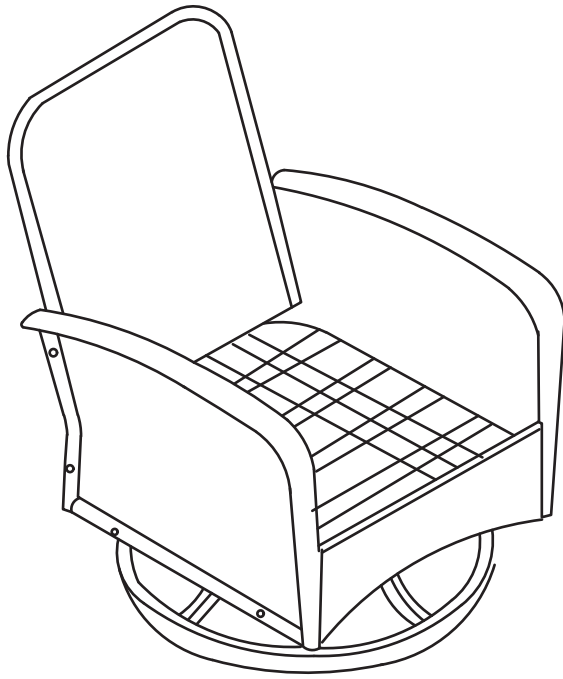
1. Attach Part P to the Armrest with four Part K and four Part R
2. Attach the swivel plate to Part P with four Part K, eight Part E, four Part Q and four Part R

7



Attach Base to the Swivel Plate with four Part K, eight Part E, four Part Q and four Part R. Please note that Part K needs to be threaded from the bottom of the Swivel Plate

8



9

