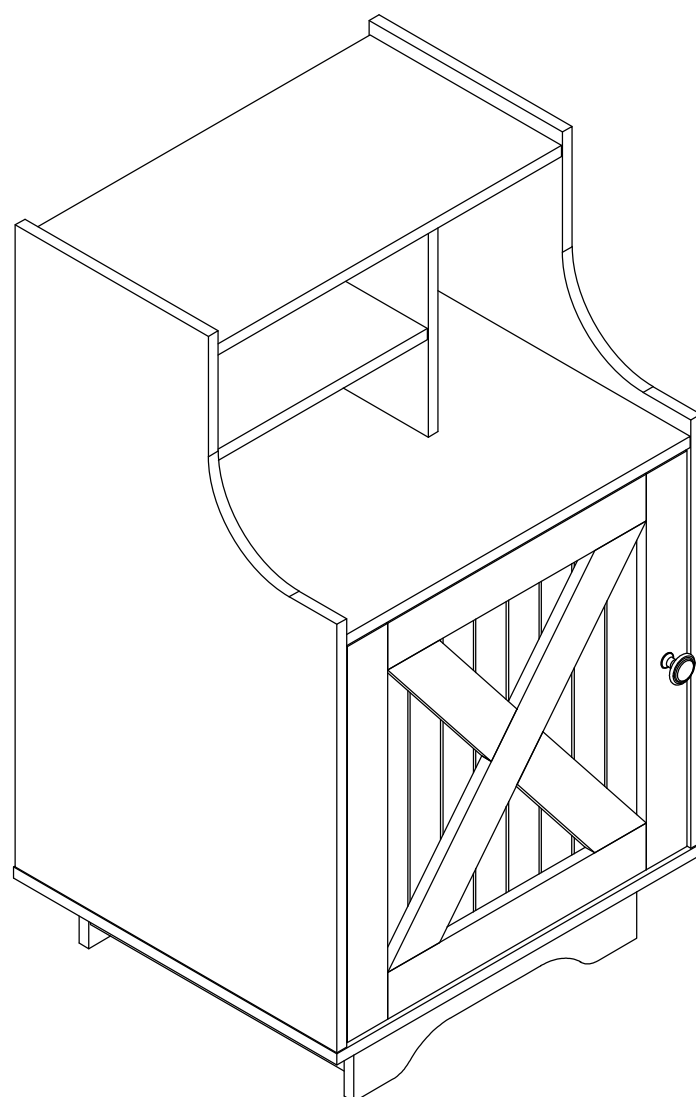
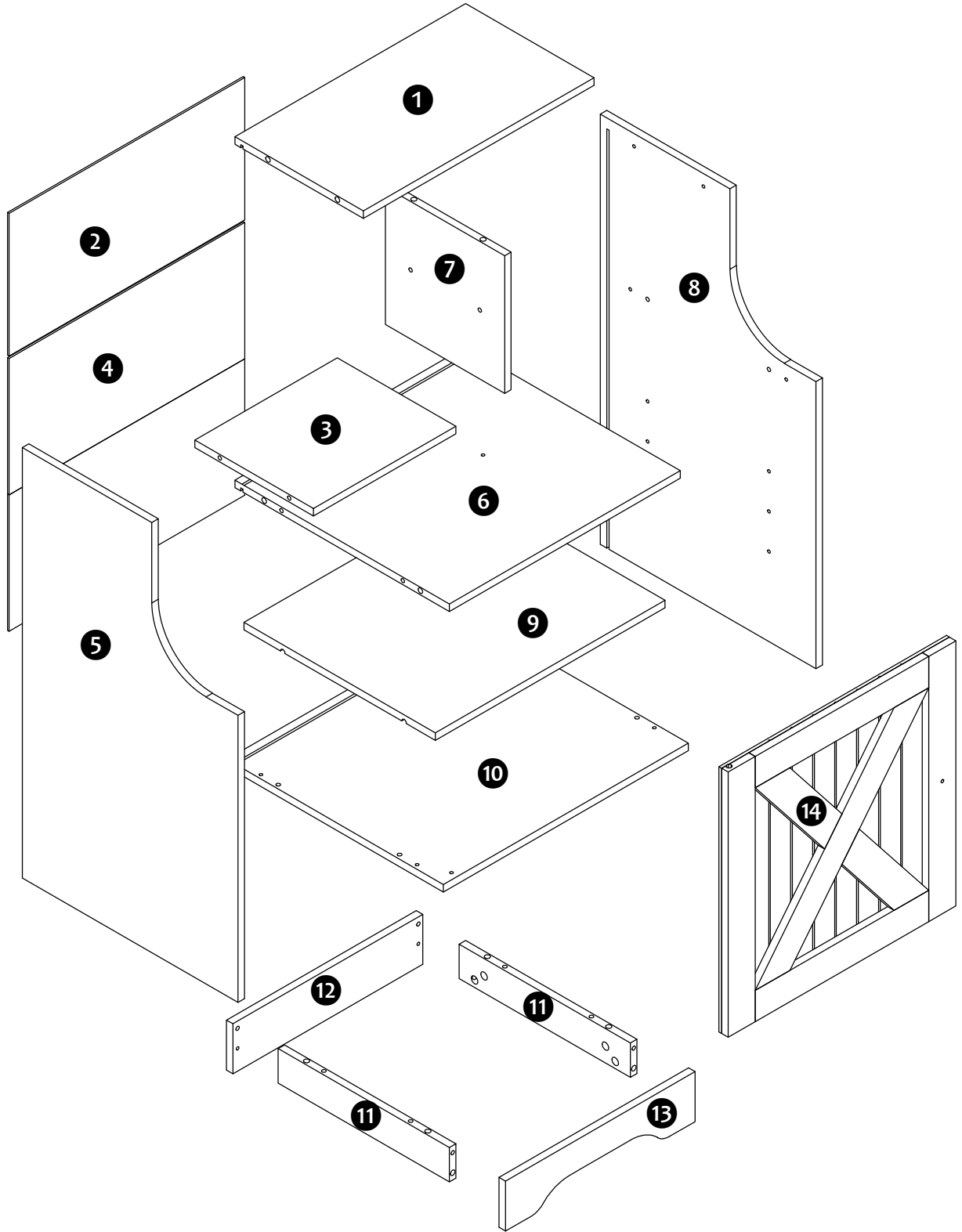


SKU: SF001065



ASSEMBLY INSTRUCTIONS



Trouble Shooting

Missing/Damaged pieces/
Wrong size and installation issues



Contact us with your problem, pic,
number and qty to the "Contact seller"
button in the detail page of your order



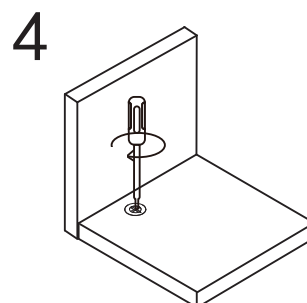
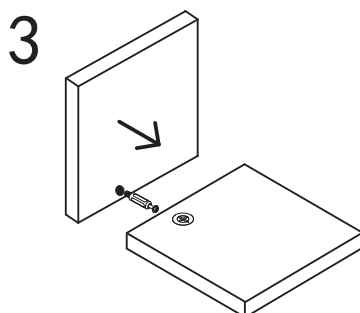
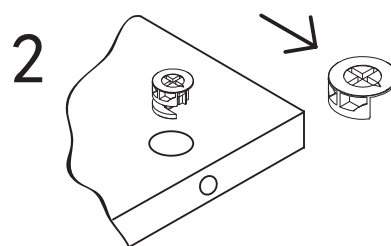
Respond with 24 hours to solve issue

Before You Start

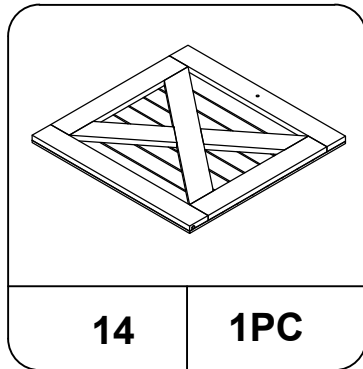
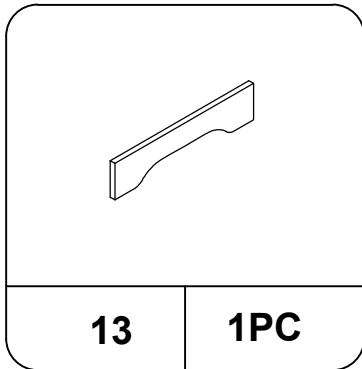
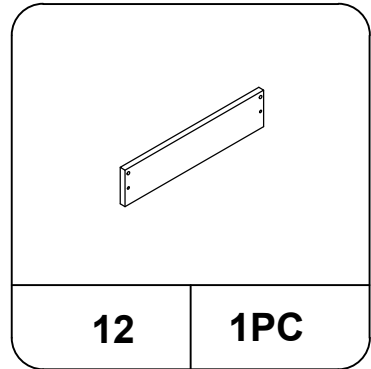
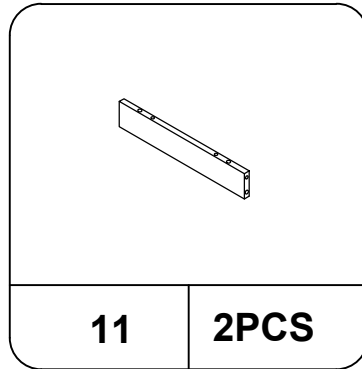
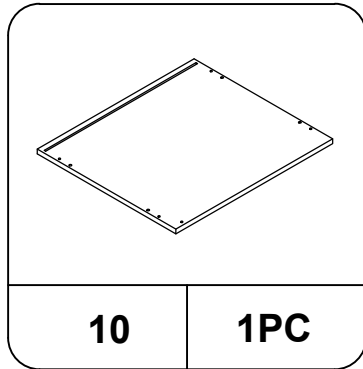
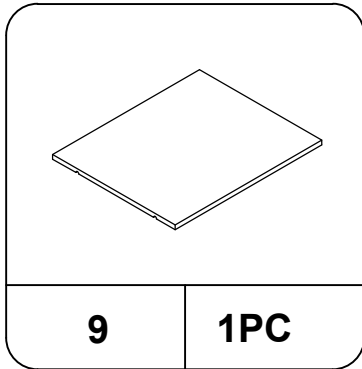
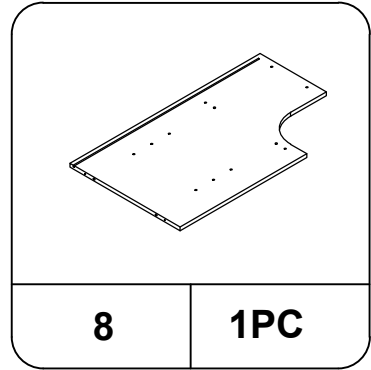
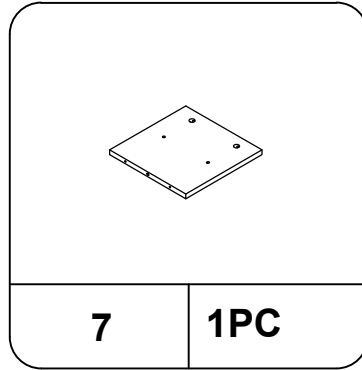
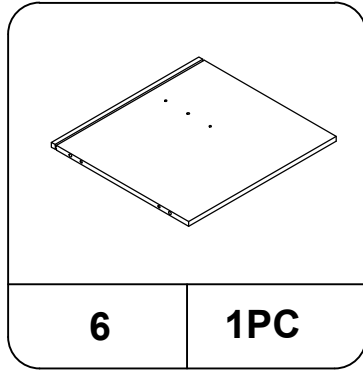
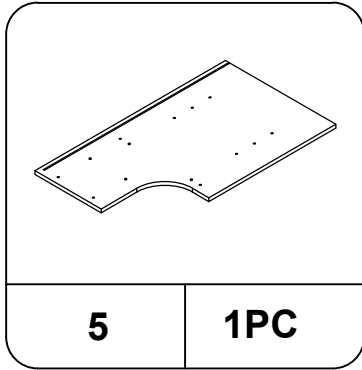
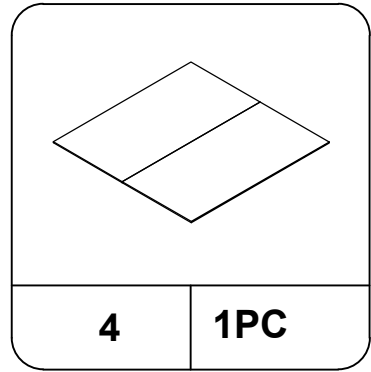
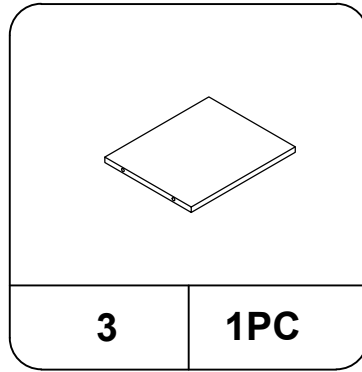
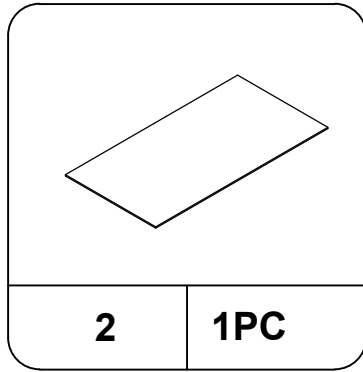
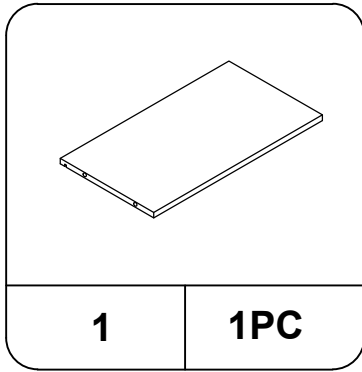
1. Read through each step carefully and follow the proper order
2. Separate and count all your parts and hardware
3. Give yourself enough room for the assembly process
4. Caution: If using a power drill or power screwdriver for screwing, please be aware to slow down and stop when screw is tight. Failure to do so may result in stripping the screw

Cam Lock Fastening System

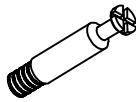
This Cam Lock Fastening System will be used throughout the assembly process




Parts List



Hardware List




A	18PCS
----------	--------------




φ12*9mm

B	18PCS
----------	--------------




M6*30mm

C	21PCS
----------	--------------




Ø4*40mm

D	6PCS
----------	-------------




E	1PC
----------	------------



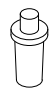
M3*14mm

F	12PCS
----------	--------------

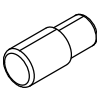


M4*18mm

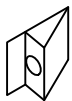
G	1PC
----------	------------



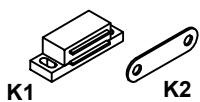
H	2PCS
----------	-------------



I	4PCS
----------	-------------



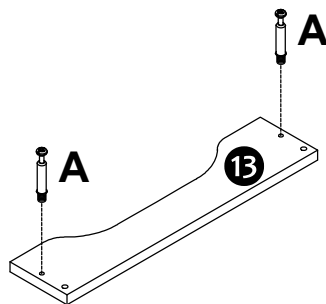
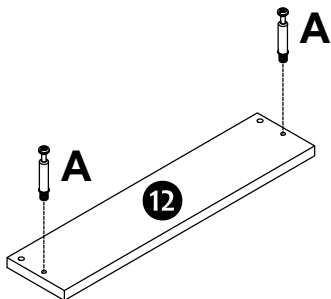
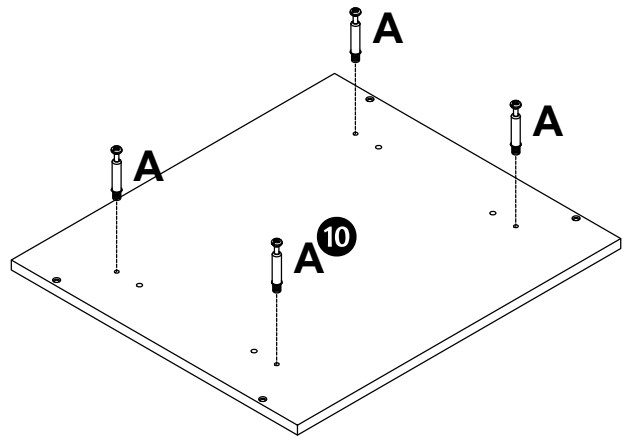
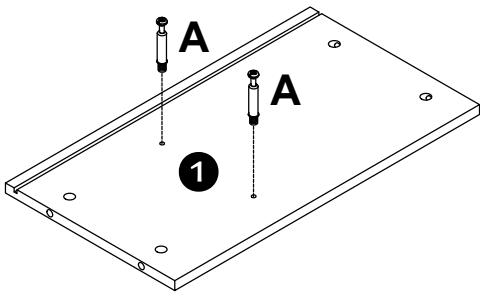
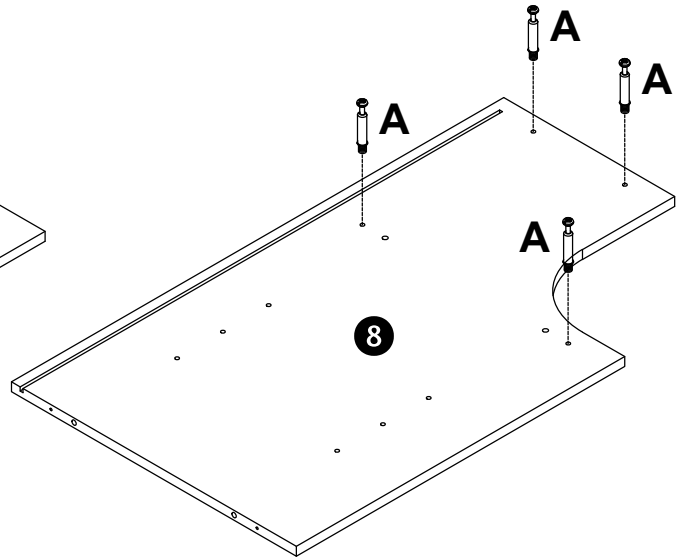
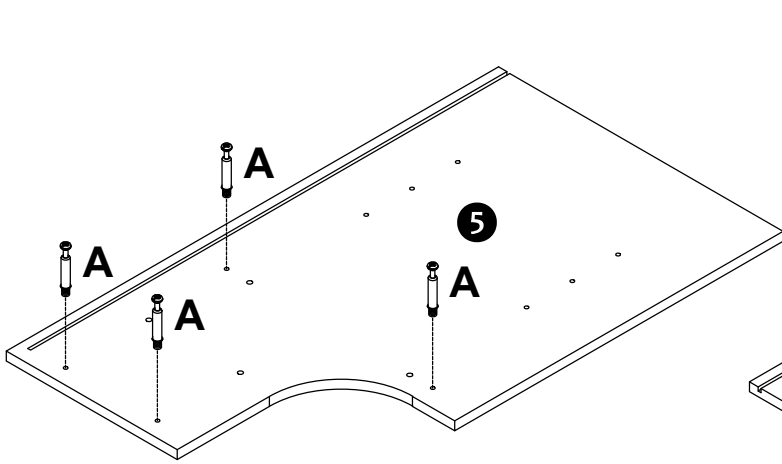
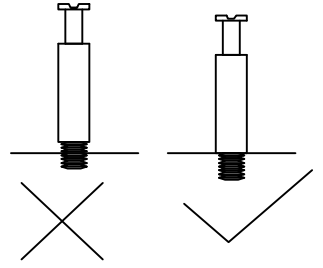
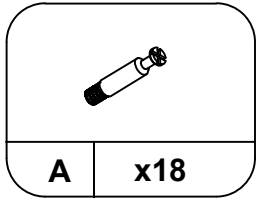
J	8PCS
----------	-------------







K1 K2

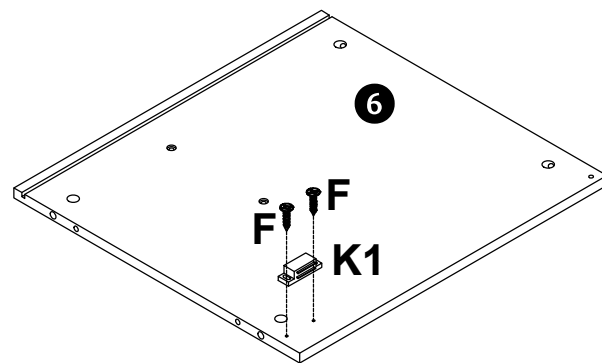
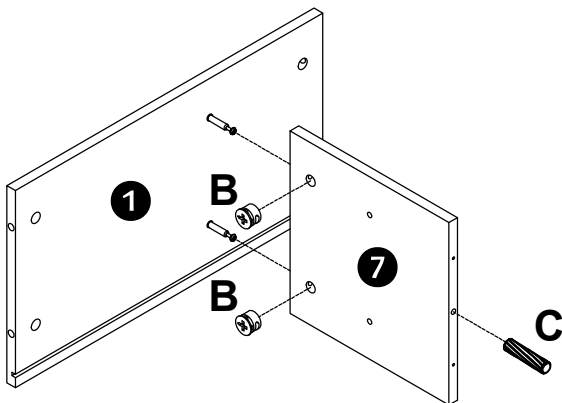
K	1PC
----------	------------

STEP 1





STEP 2

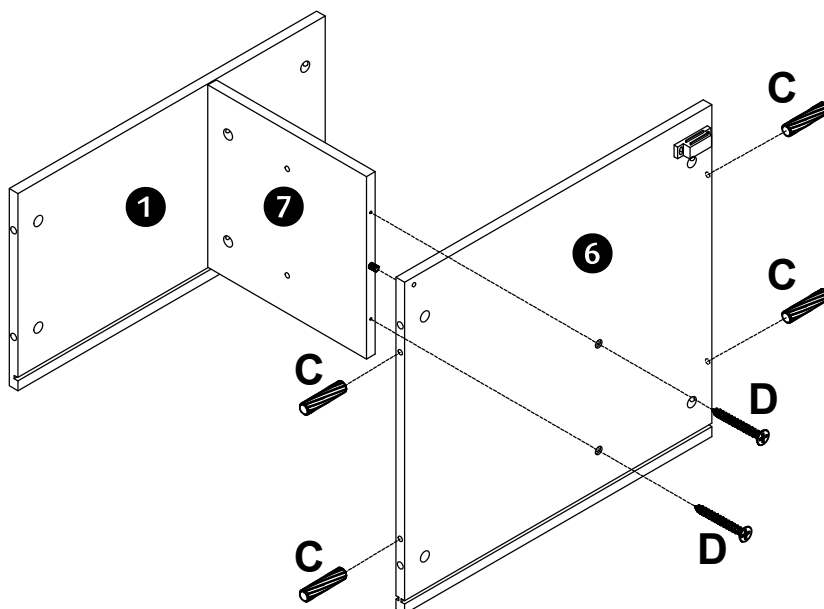
 φ12*9mm	 M6*30mm	 M3*14mm	 K1
B x2	C x1	F x2	K x1



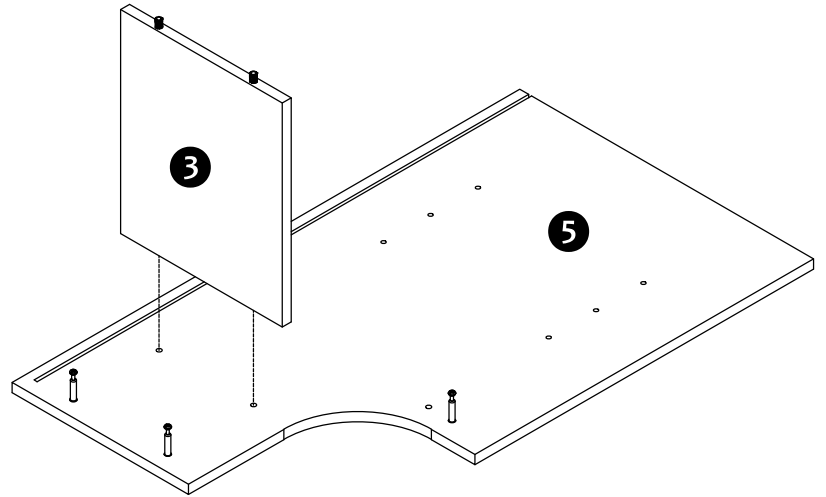
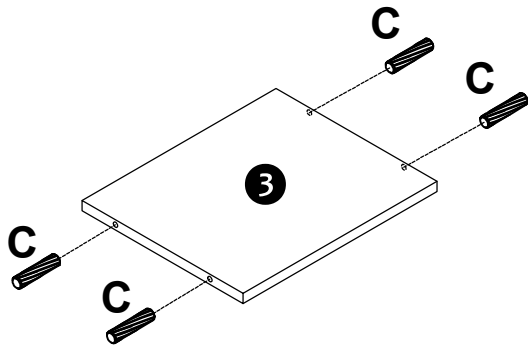
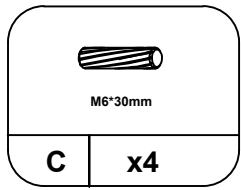
STEP 3

 Ø4*40mm
D x2

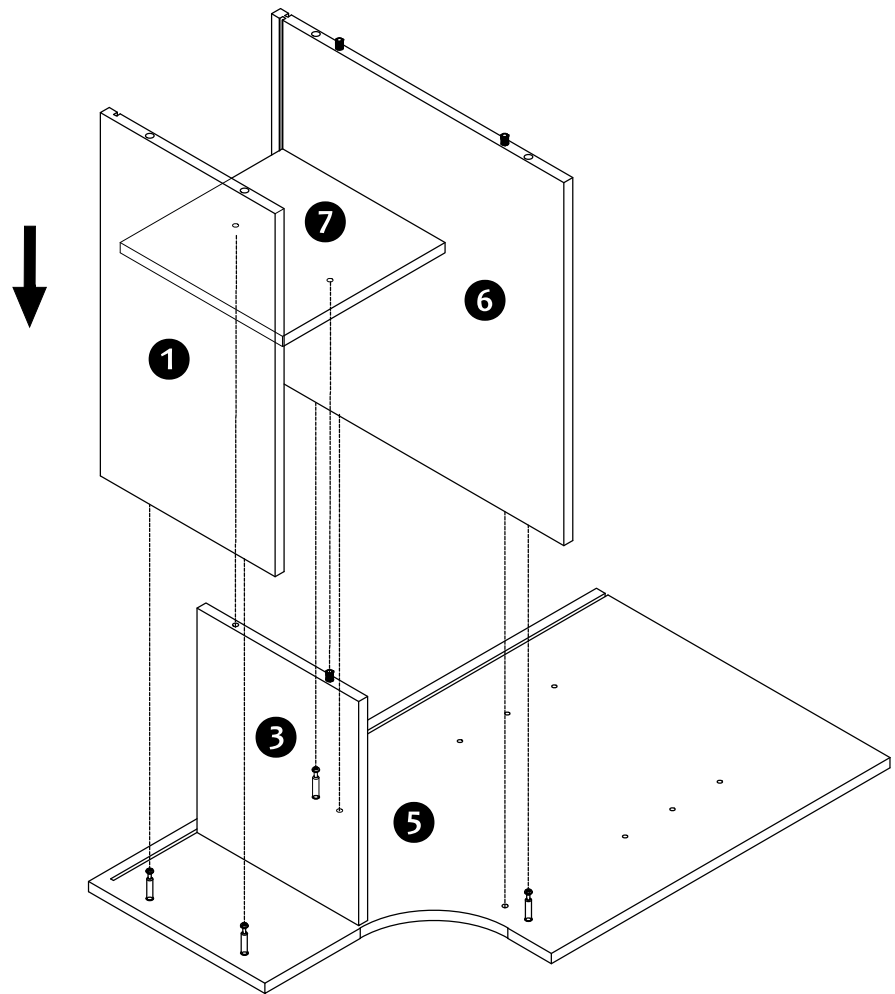
 M6*30mm
C x4



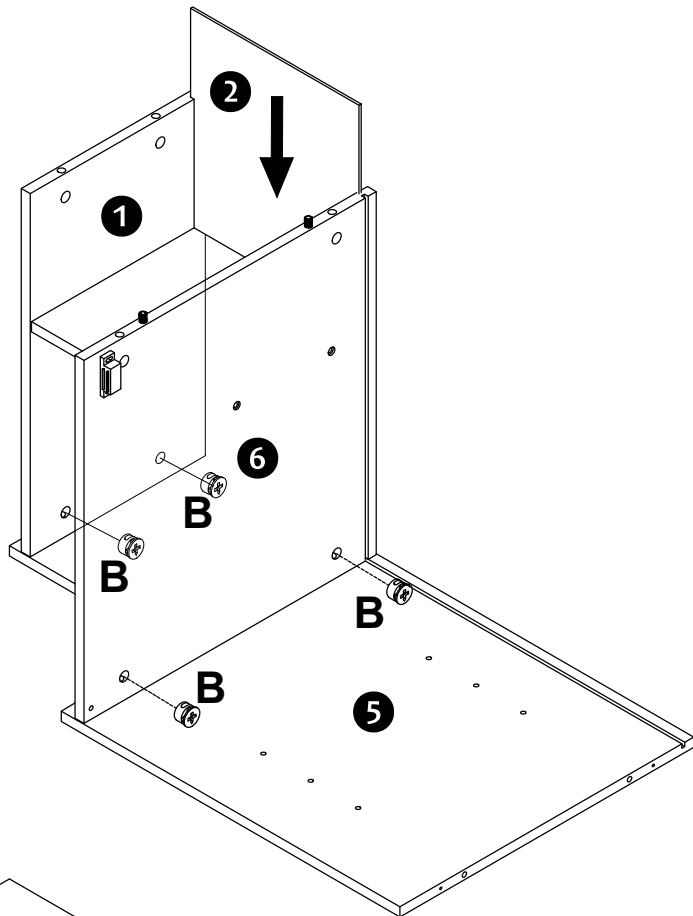
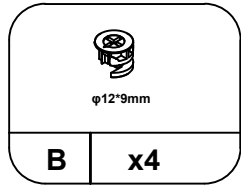
STEP 4



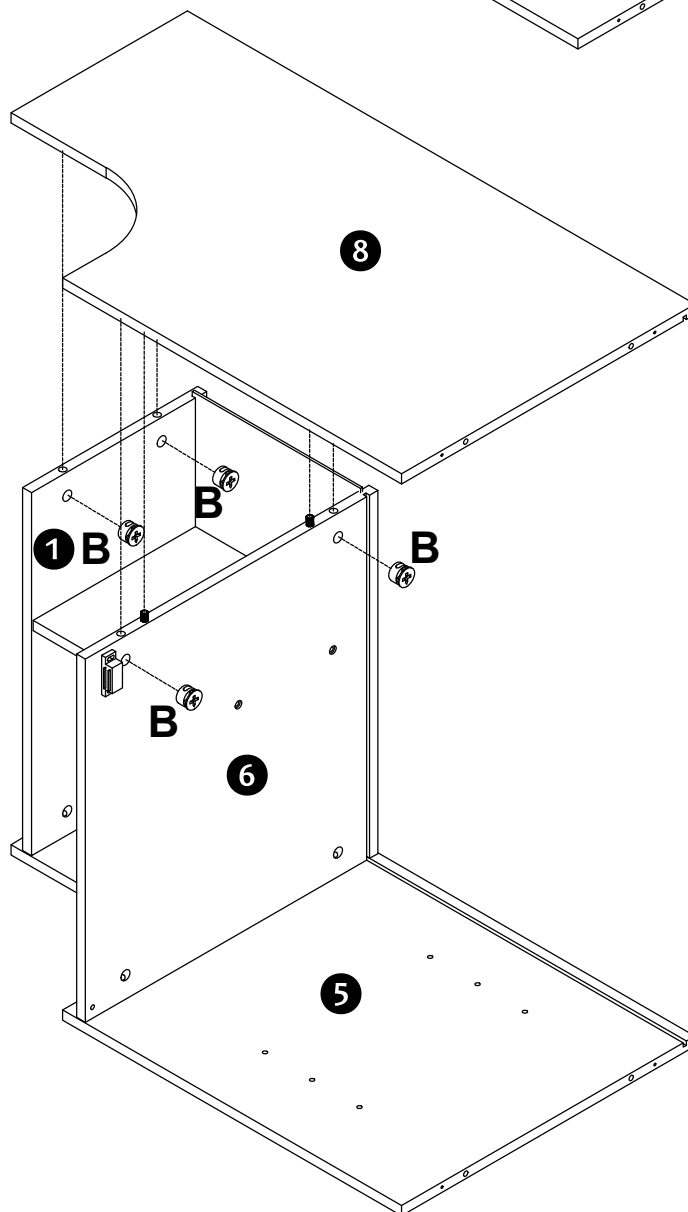
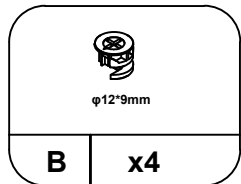
STEP 5



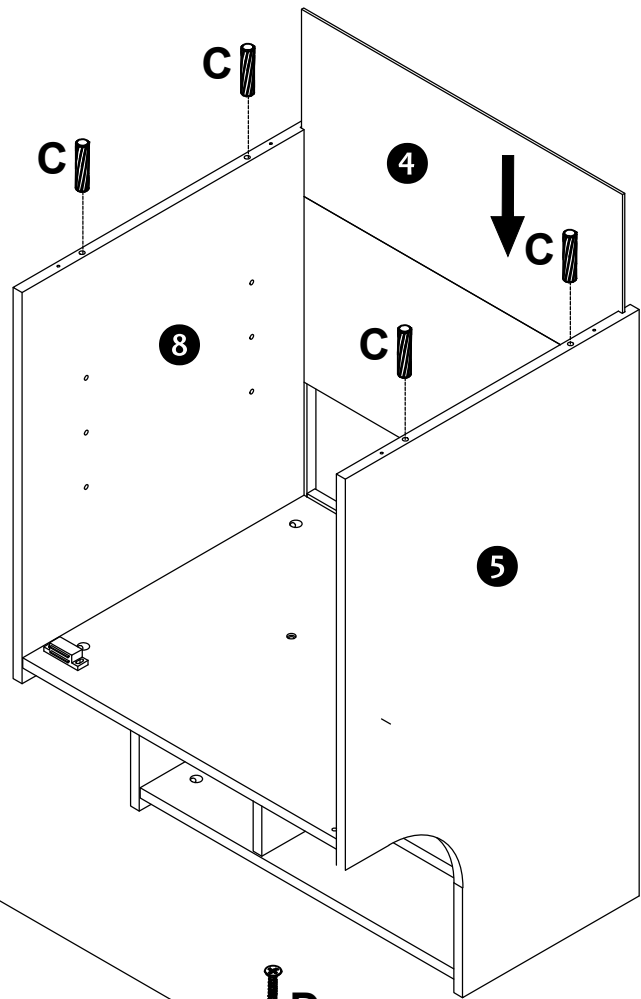
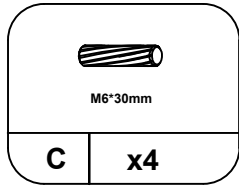
STEP 6



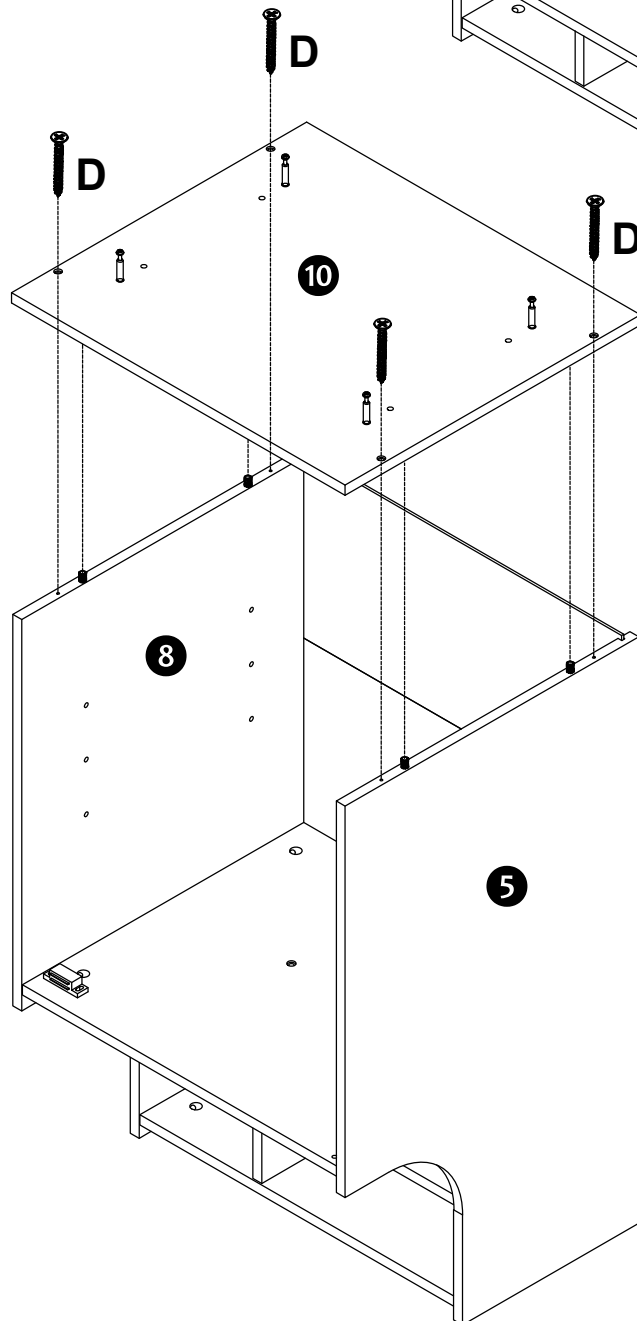
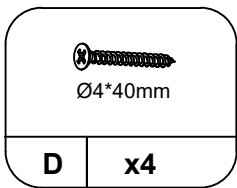
STEP 7



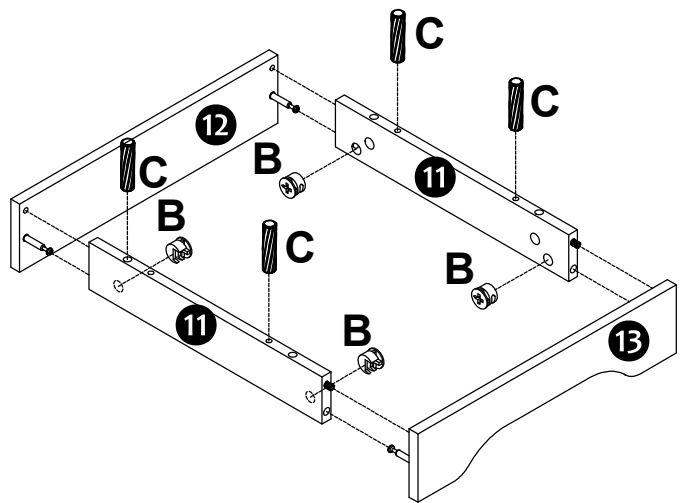
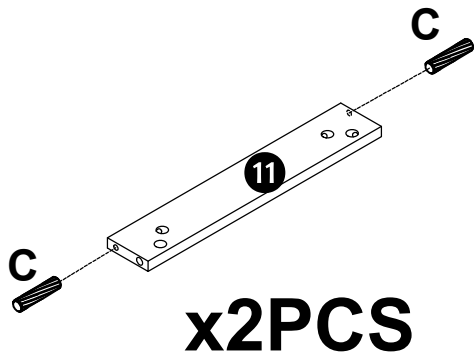
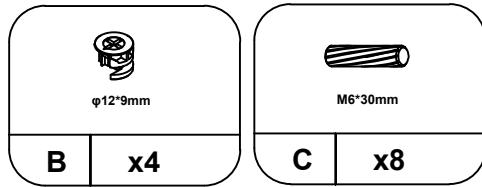
STEP 8



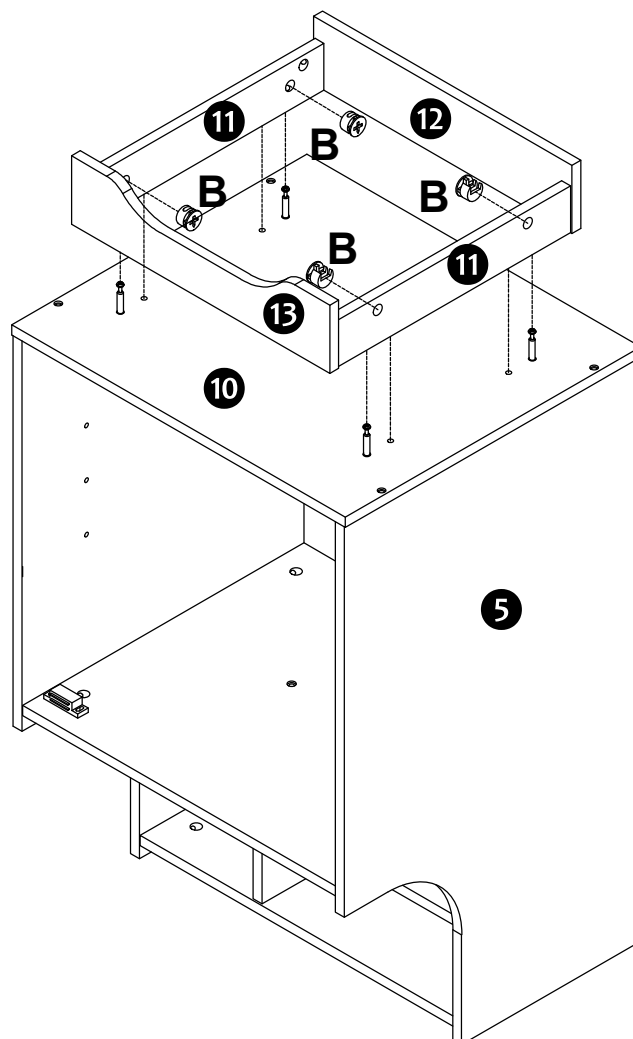
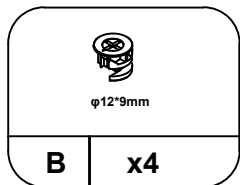
STEP 9



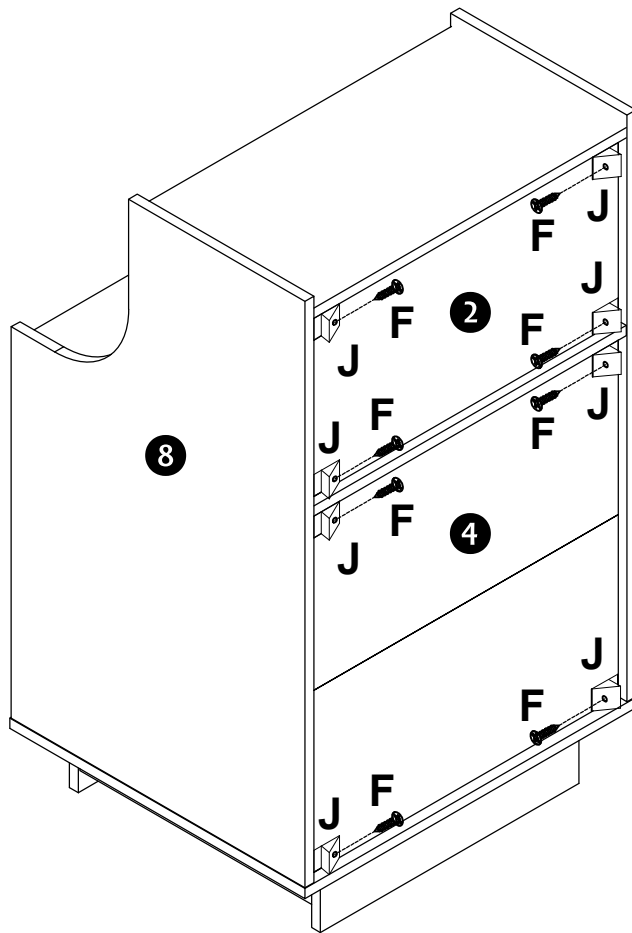
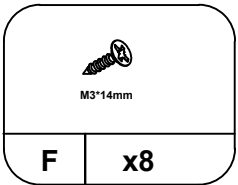
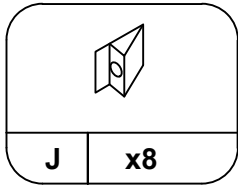
STEP 10



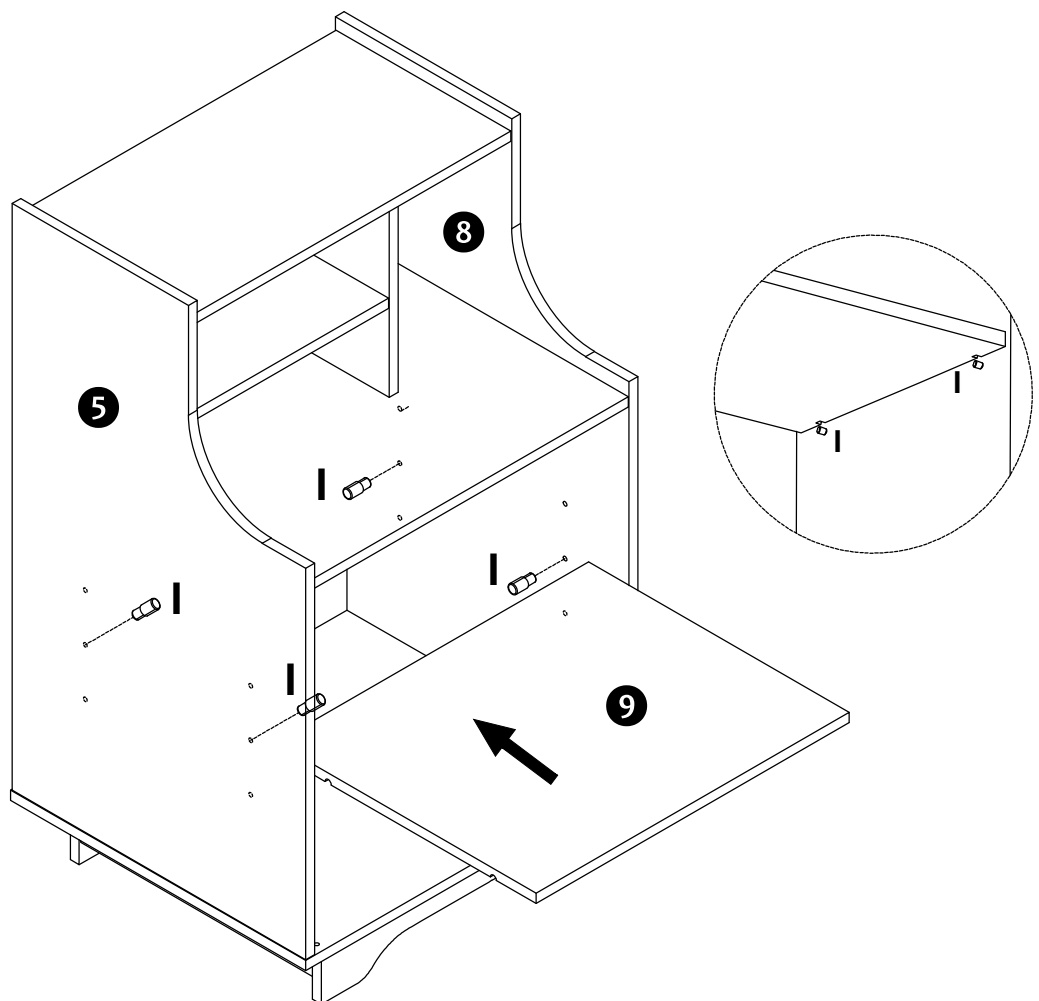
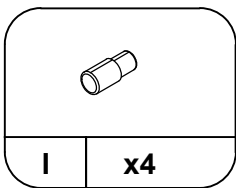
STEP 11



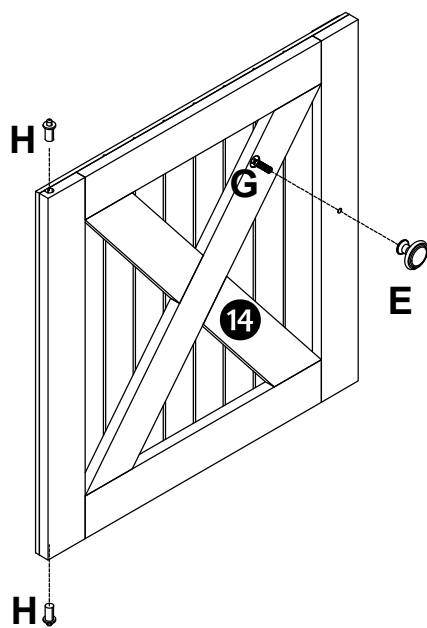
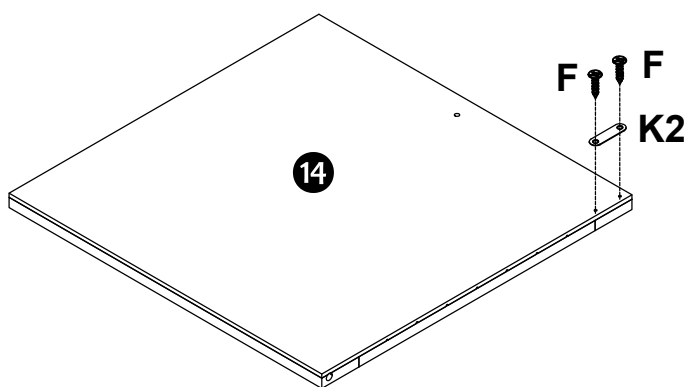
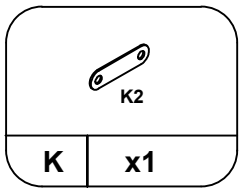
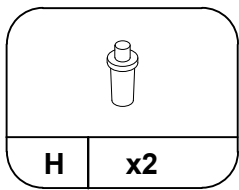
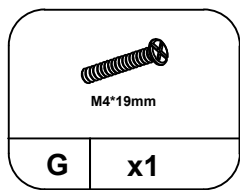
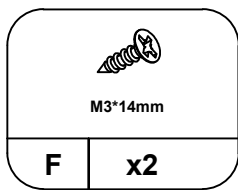
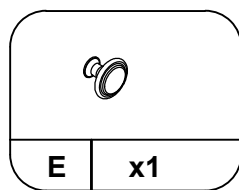
STEP 12



STEP 13



STEP 14



STEP 15

