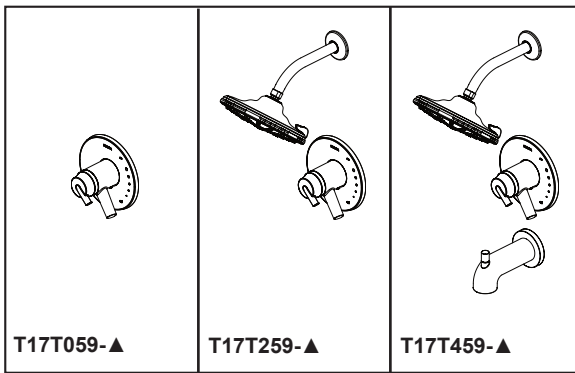




see what Delta can do™

## TUB AND SHOWER FAUCET TRIM

- Trinsic® Series
- Valve Only (T17T059)
- Shower Only (T17T259)
- Tub/Shower (T17T459)



### FEATURES:

- TempAssure® 17T thermostatic valve cartridge
- H<sub>2</sub>Okinetic® Technology shower head

### STANDARD SPECIFICATIONS:

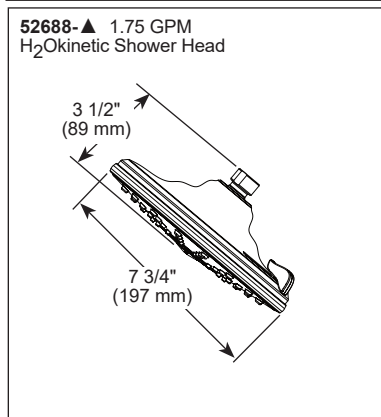
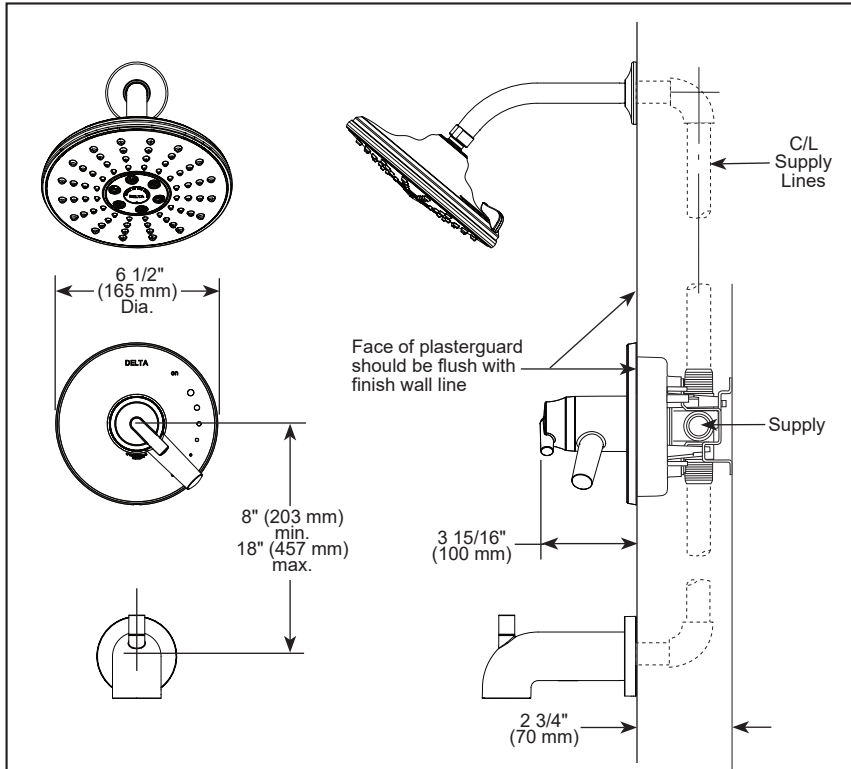
- Thermostatic wax element maintains the outlet temperature to  $\pm 3.6^\circ\text{F}$
- Back-to-back installation capability
- For use with MultiChoice® Universal rough valve body (R10000 Series) ordered separately
- Lever volume control handle; temperature adjustment dial
- Red/blue indicator markings
- Field adjustable to limit handle rotation into hot water zone
- All parts replaceable from the front of the valve
- Available extension kit (RP75136) adds up to 1 3/8" installation depth
- Three setting H<sub>2</sub>Okinetic Technology® shower head; 1.75 gpm @ 80 psi, 6.6 L/min @ 550 kPa; Full Spray, H<sub>2</sub>Okinetic®, pause is a non-positive shut-off
- Tub port maximum flow rate 8.6 gpm @ 60 psi with R10000-UNBX
- Tub spout adapter included (RP33794) for use with 1/2" CWT Copper Sweat or Slip-On applications
- Shower arm overall horizontal length = 7" (178 mm), including threaded ends

### WARRANTY

- Parts and Finish - Lifetime limited warranty; or for commercial purchasers, 10 years for multi-family residential (apartments and condominiums) and 5 years for all other commercial uses, in each case from the date the product is received by the original purchaser or their authorized representative (installation contractor, etc.).
- Electronic Parts and Batteries (if applicable) - 5 years from the date the product is received by the original purchaser or their authorized representative (installation contractor, etc.); or for commercial purchasers, 1 year from the date the product is received by the original purchaser or their authorized representative (installation contractor, etc.). No warranty is provided on batteries.
- Please go to [www.deltafaucet.com](http://www.deltafaucet.com) for the complete details of our limited warranty.

### COMPLIES WITH:

- ASME A112.18.1/ CSA B125.1
- ASSE 1016
- ICC/ANSI A117.1 - Valve control only
- EPA WaterSense®



▲ Designate Proper Finish Suffix

