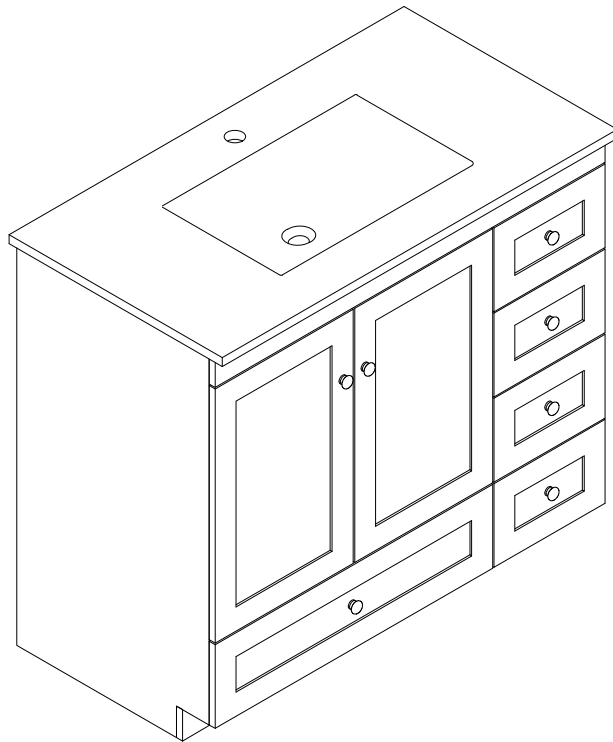


Dijon 37" Figueras 37" Single Vanity With 5 Drawers & 2 Doors

White

ASSEMBLY

INSTRUCTIONS



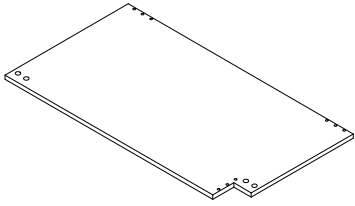
Thank you for purchasing this quality product. Be sure to check all packing material carefully for small parts, which may have come loose inside the carton during shipment. Count all parts and material hardware, then compare with parts list to be sure all parts are present. If any parts are missing or damaged, phone, fax, or mail to our Customer Service Department for efficient and speedy service. Please indicate the model number and code letter of part(s) needed.

NOTE: In order to prevent damage during assembly, please assemble this item with at least two people.

IMPORTANT NOTE: Follow instructions listed below in proper sequence as numbered to assure fast, easy and correct assembly.

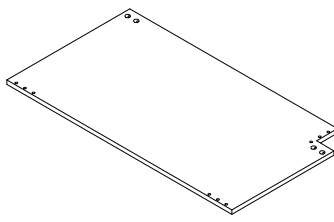
PARTS LIST

1



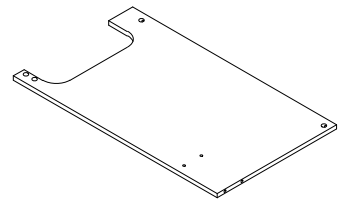
LEFT PANEL-1PC

2



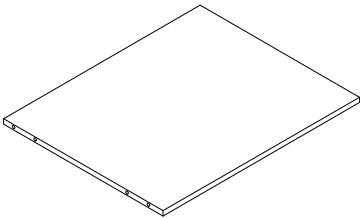
RIGHT PANEL-1PC

3



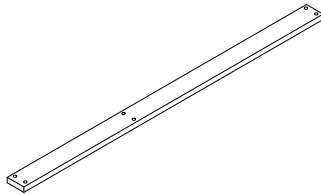
STAND PANEL-1PC

4



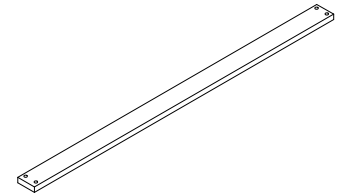
SHELF PANEL -1PC

5



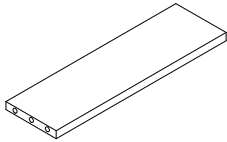
TOP FRONT PANEL -1PC

6



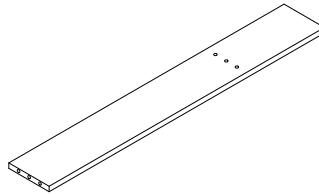
BELOW FRONT PANEL -1PC

7



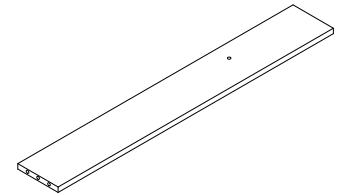
MIDDLE FRONT PANEL -1PC

8



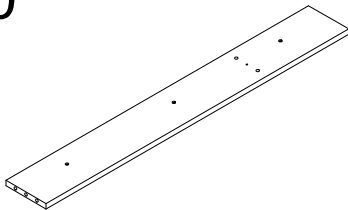
TOP BACK PANEL-1PC

9



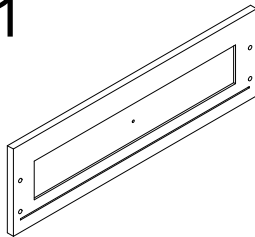
BELOW BACK PANEL-1PC

10



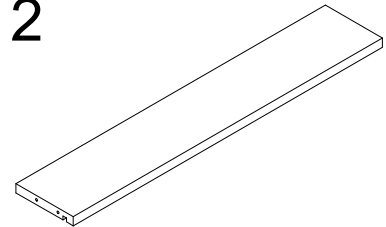
BOTTOM PANEL-1PC

11



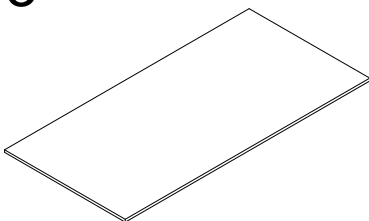
BIG DRAWER FRONT-1PC

12



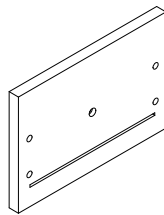
BIG DRAWER BACK-1PC

13



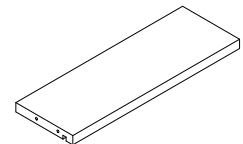
BIG DRAWER BOTTOM-1PC

14



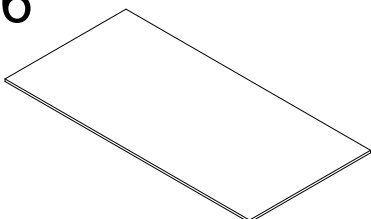
SMALL DRAWER FRONT-4PCS

15



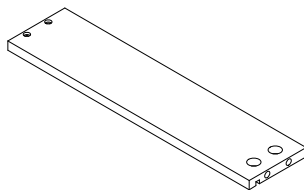
SMALL DRAWER BACK-4PCS

16



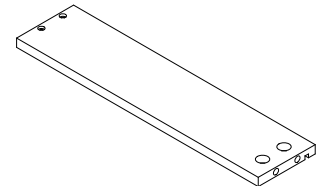
SMALL DRAWER BOTTOM-4PCS

17



DRAWER SIDE LEFT-10PCS

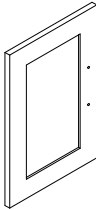
18



DRAWER SIDE RIGHT-10PCS

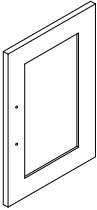
PARTS LIST

19



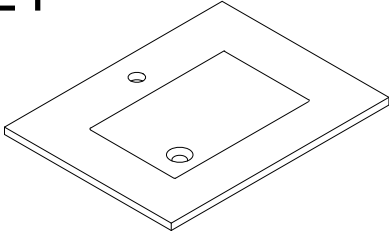
LEFT DOOR-1PC

20




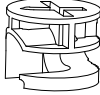
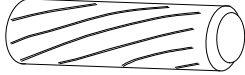
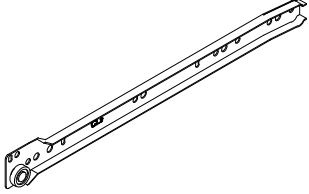
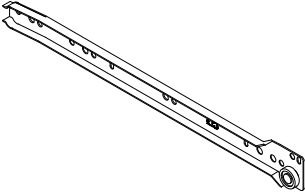
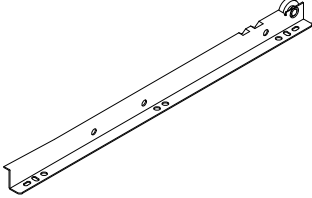
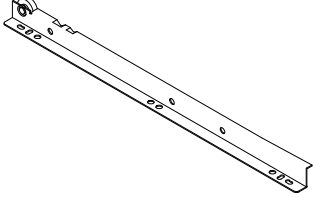
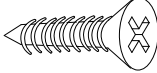
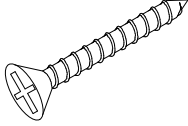


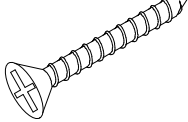
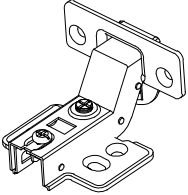
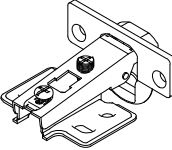
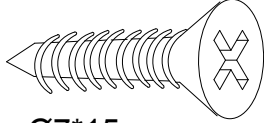
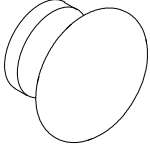
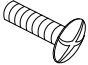

RIGHT DOOR-1PC

21

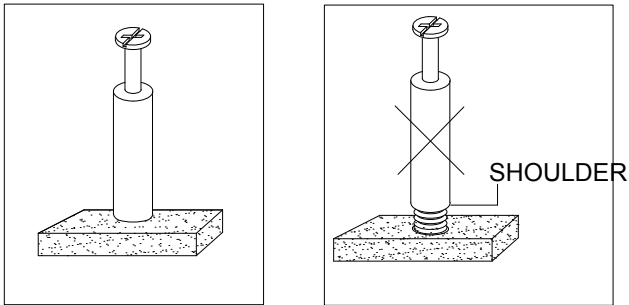


SINK-1PC

HARDWARE LIST

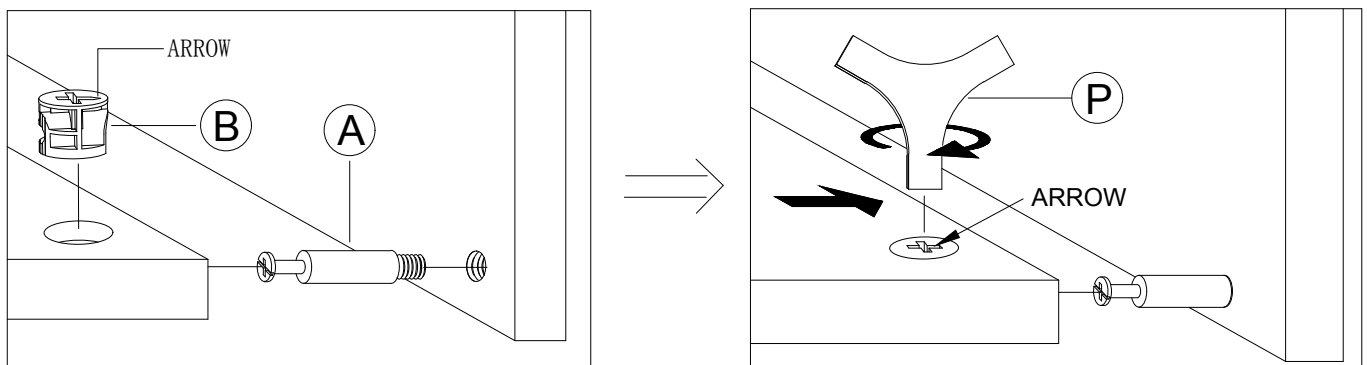
<p>A M6*35mm</p>  <p>CAM-BOLTS - 33PCS</p>	<p>B Ø15*12mm</p>  <p>CAM-LOCKS-33CS</p>	<p>C Ø8*30mm</p>  <p>DOWELS-13PCS</p>
<p>D</p>  <p>FEMALE SLIDING LEFT-5PCS</p>	<p>E</p>  <p>FEMALE SLIDING RIGHT-5PCS</p>	<p>F</p>  <p>MALE SLIDING LEFT-5PCS</p>
<p>G</p>  <p>MALE SLIDING RIGHT-5PCS</p>	<p>H Ø6*12mm</p>  <p>SCREW - 70PCS</p>	<p>I Ø8*32mm</p>  <p>SCREWS - 4PCS</p>
<p>J M6*25mm</p>  <p>CAM-BOLTS - 20PCS</p>	<p>K Ø15*9mm</p>  <p>CAM-LOCKS-20PCS</p>	<p>L Ø6*25mm</p>  <p>SCREWS - 20PCS</p>
<p>M</p>  <p>HINGES-2PCS</p>	<p>N</p>  <p>HINGES-2PCS</p>	<p>O Ø7*15mm</p>  <p>SCREW-24PCS</p>
<p>P</p>  <p>KNOB - 7PCS</p>	<p>Q Ø8*15mm</p>  <p>BOLT - 7PCS</p>	<p>R</p>  <p>CAM TOOL-1PC</p>

NOTE: ● UPON OPENING, THOROUGHLY CLEAN ALL WOOD SURFACES TO REMOVE DUST AND DIRT THAT MAY HAVE SETTLED ONTO FINISH DURING SHIPMENT. IN ORDER TO PREVENT DAMAGE DURING ASSEMBLY, PLEASE ASSEMBLE THIS ITEM WITH AT LEAST TWO PEOPLE.

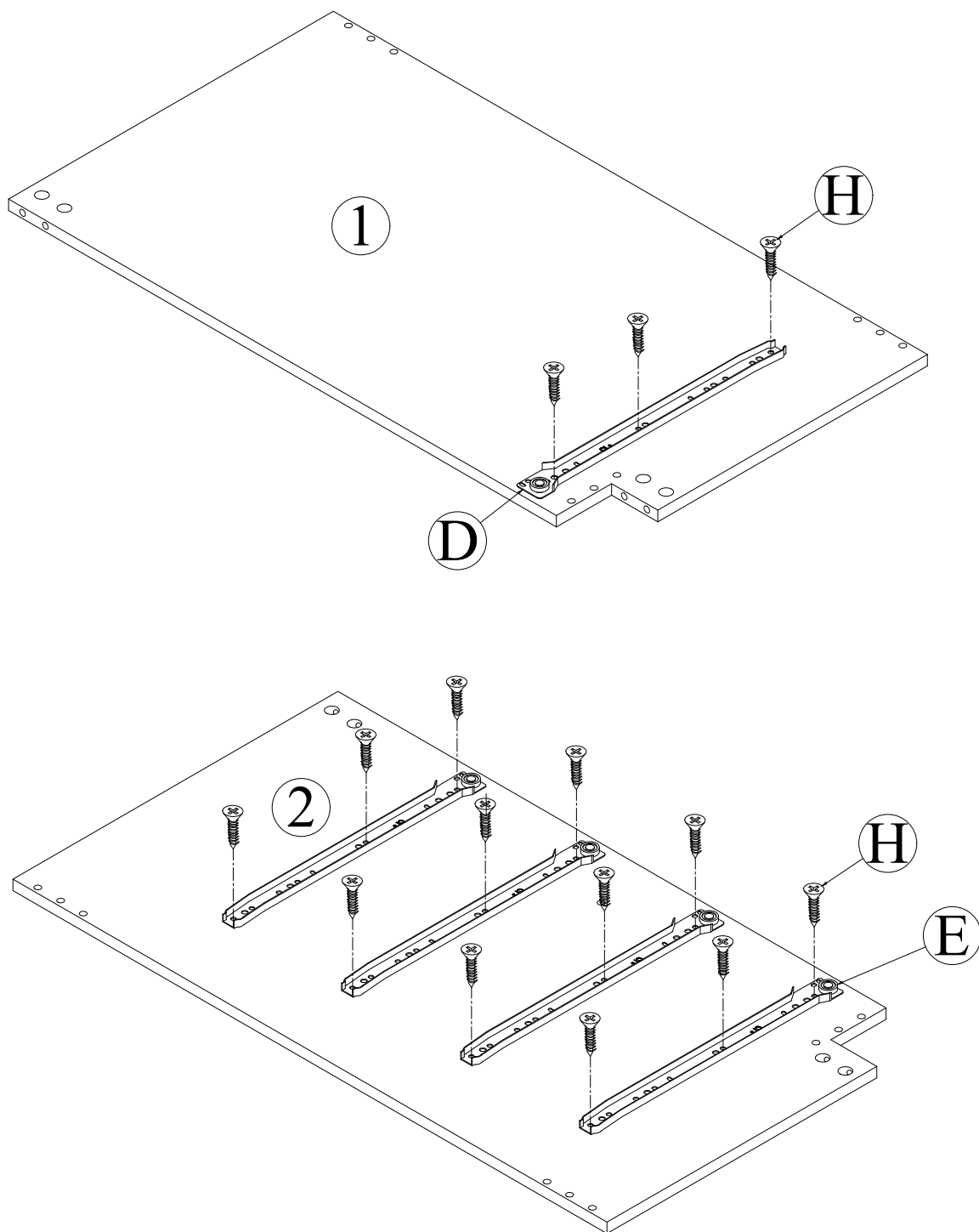


NOTE: TURN THE CAM-BOLT SCREWS UNTIL THEY ARE TIGHT, THE SHOULDER SHOULD BE AGAINST THE SURFACE OF THE PART.

HOW TO USE THE CAM-TOOL

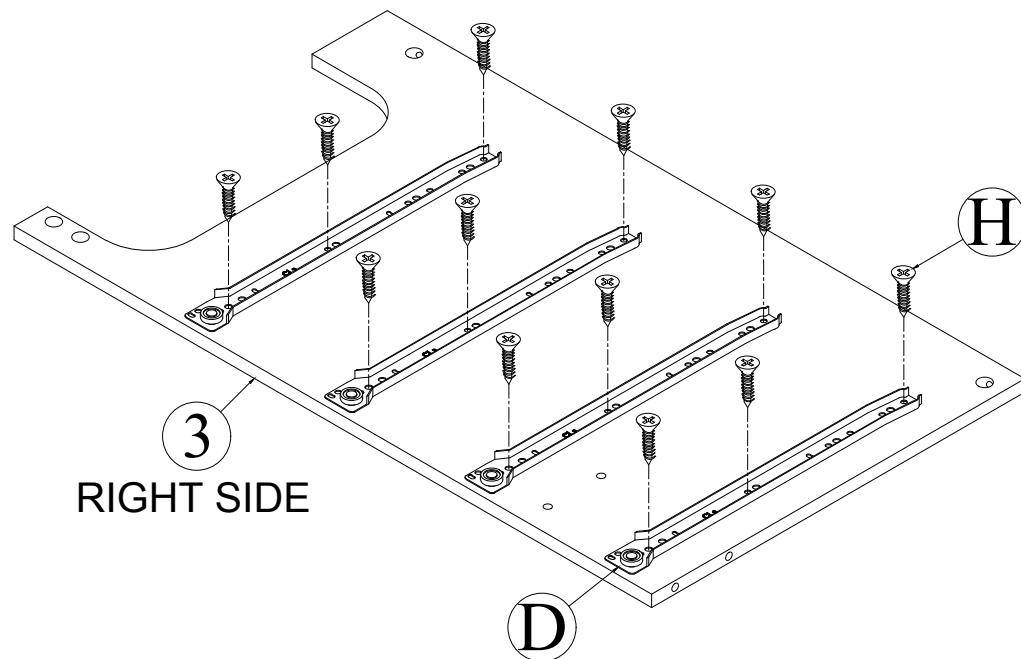


NOTE: ● THE ARROWS ON THE HIDDEN CAM-LOCKS SHOULD POINT TO THE CAM-BOLTS

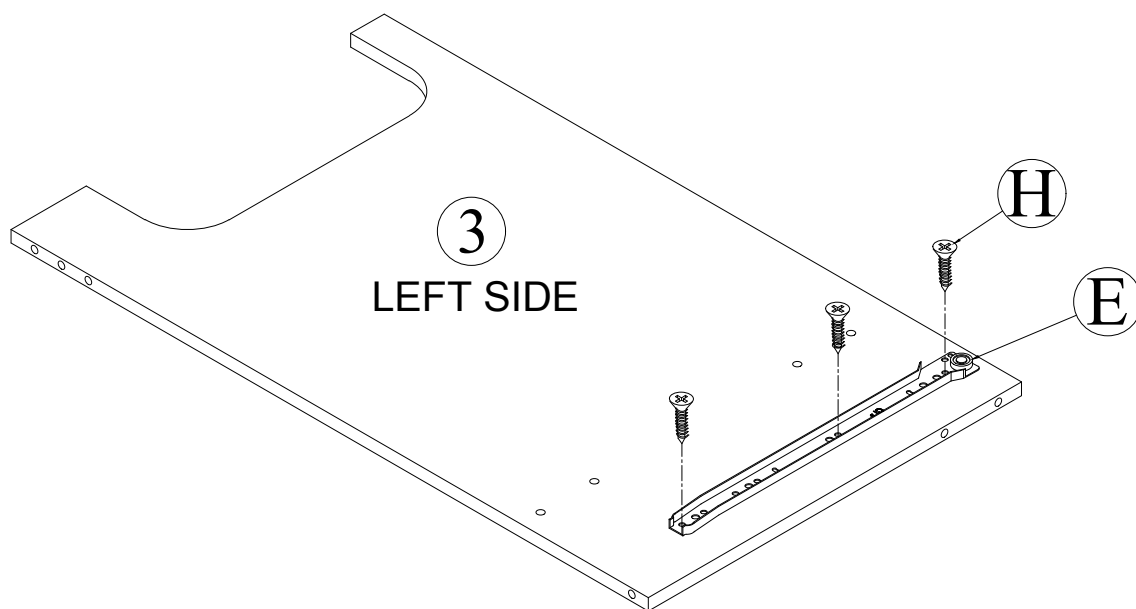


1).ASSEMBLE THE FEMALE SLIDING (D/E)

- PLACE THE FEMALE SLIDING (D/E) INTO THE HOLES IN THE PANEL (1/2) AND ATTACH USING 15 SCREW (H).



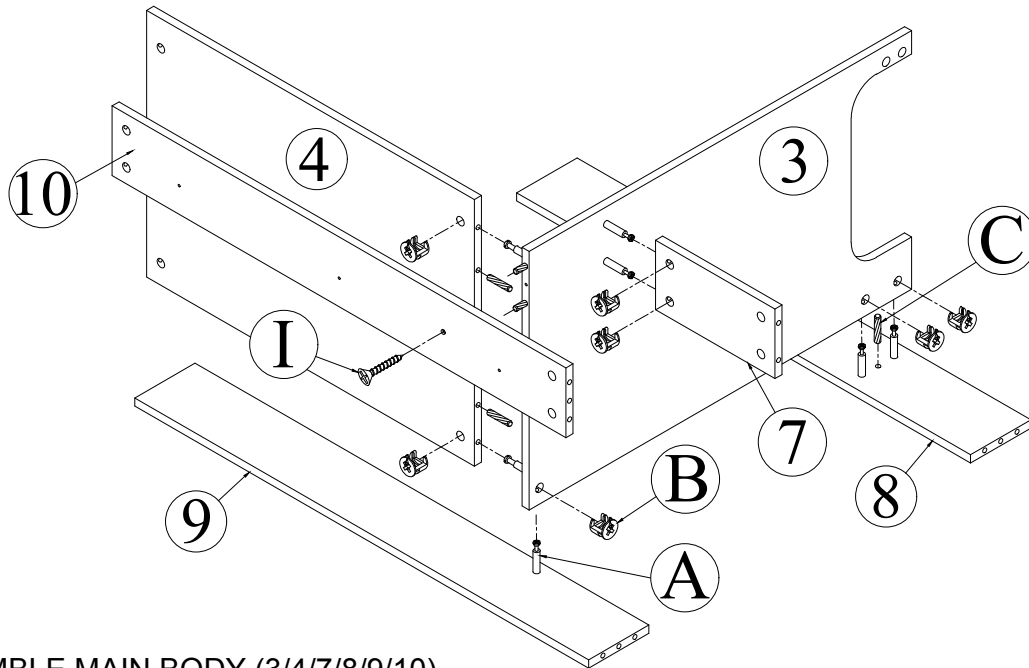
3
RIGHT SIDE



3
LEFT SIDE

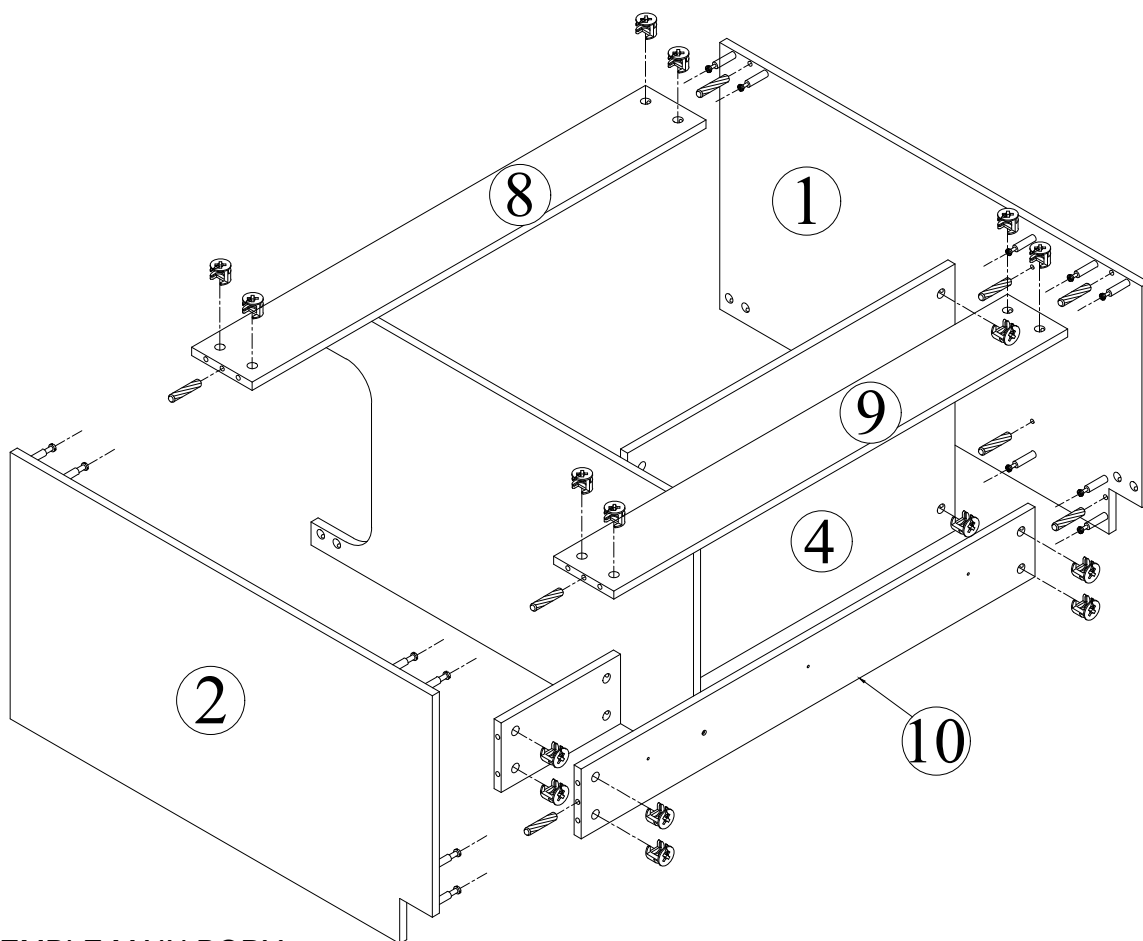
1.1).ASSEMBLE THE FEMALE SLIDING (D/E)

- PLACE THE FEMALE SLIDING (D/E) INTO THE HOLES IN THE PANEL (3) AND ATTACH USING 15 SCREW (F).



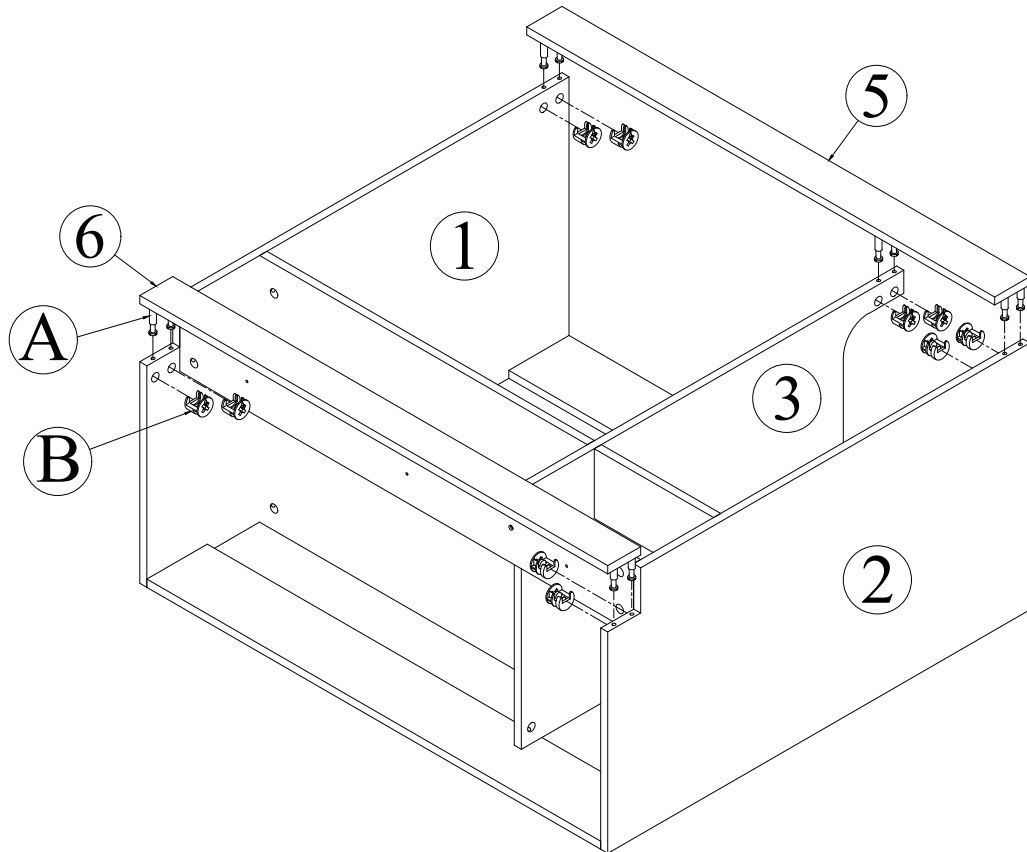
2).ASSEMBLE MAIN BODY (3/4/7/8/9/10)

- ROTATE 7 CAM-BOLTS (A) INTO THE HOLES IN THE PANEL (3/8).
- PLACE THE PANEL (4/7/8/9) AND 3 DOWELS (C) INTO THE HOLES IN THE PANEL (3) AND ATTCH USING 7 CAM-LOCK (B)
- PLACE THE PANEL (10) AND 2 DOWELS (C) INTO THE HOLES IN THE PANEL (3) AND ATTCH USING 1 SCREWS (I)



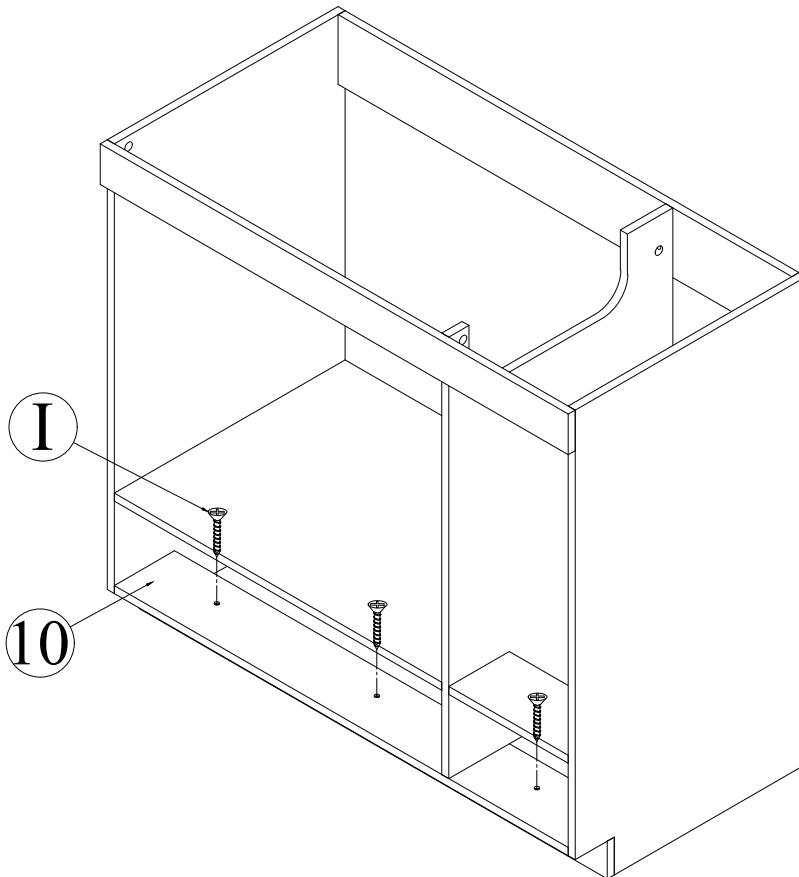
3).ASSEMBLE MAIN BODY

- ROTATE 16 CAM-BOLTS (A) INTO THE HOLES IN THE PANEL (1/2).
- PLACE THE PANEL (4/7/8/9/10) AND 8 DOWELS (C) INTO THE HOLES IN THE PANEL (1/2) AND ATTACH USING 16 CAM-LOCK (B).



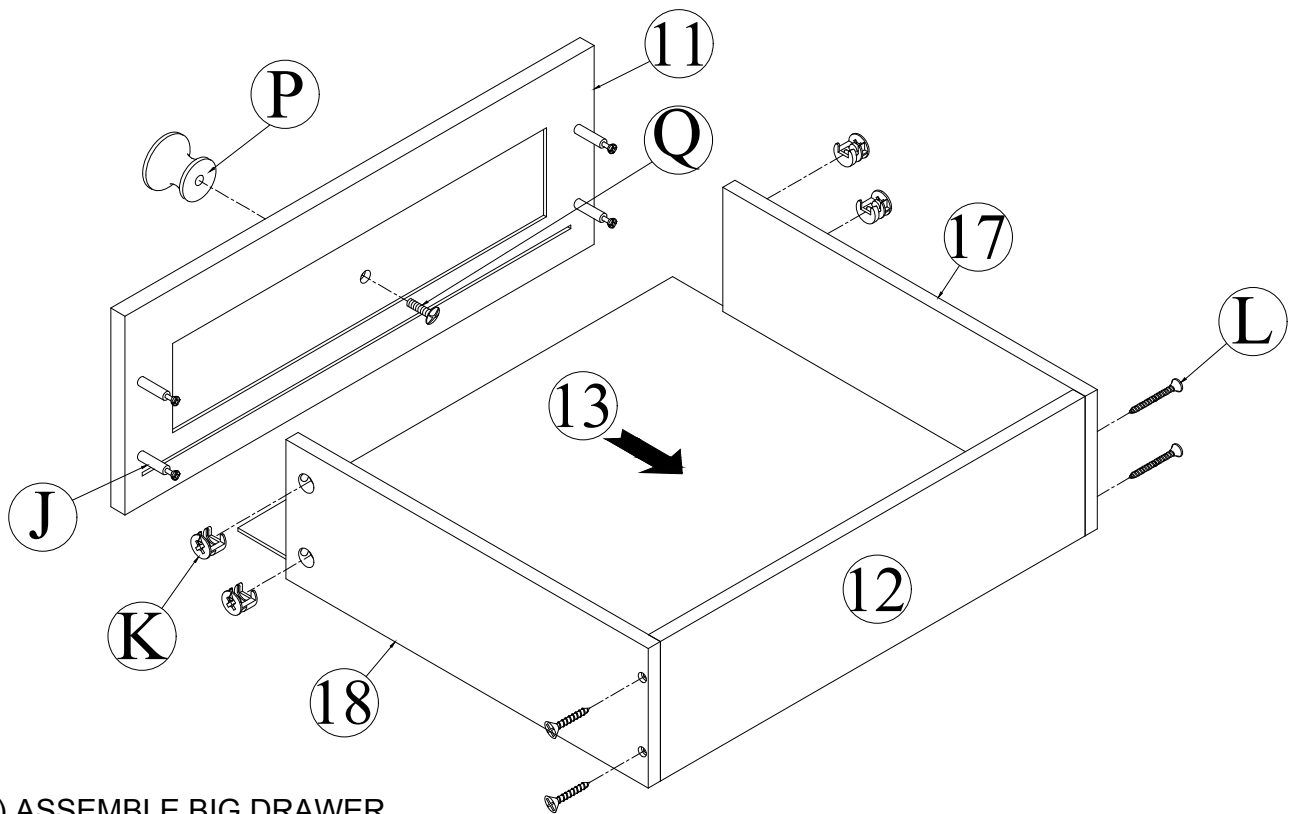
4).ASSEMBLE THE PANEL (5/6)

- ROTATE 10 CAM-BOLTS (A) INTO THE HOLES IN THE PANEL (5/6).
- PLACE THE PANEL (5/6) INTO THE HOLES IN THE PANEL (1/2/3) AND ATTACH USING 10 CAM-LOCK (B).



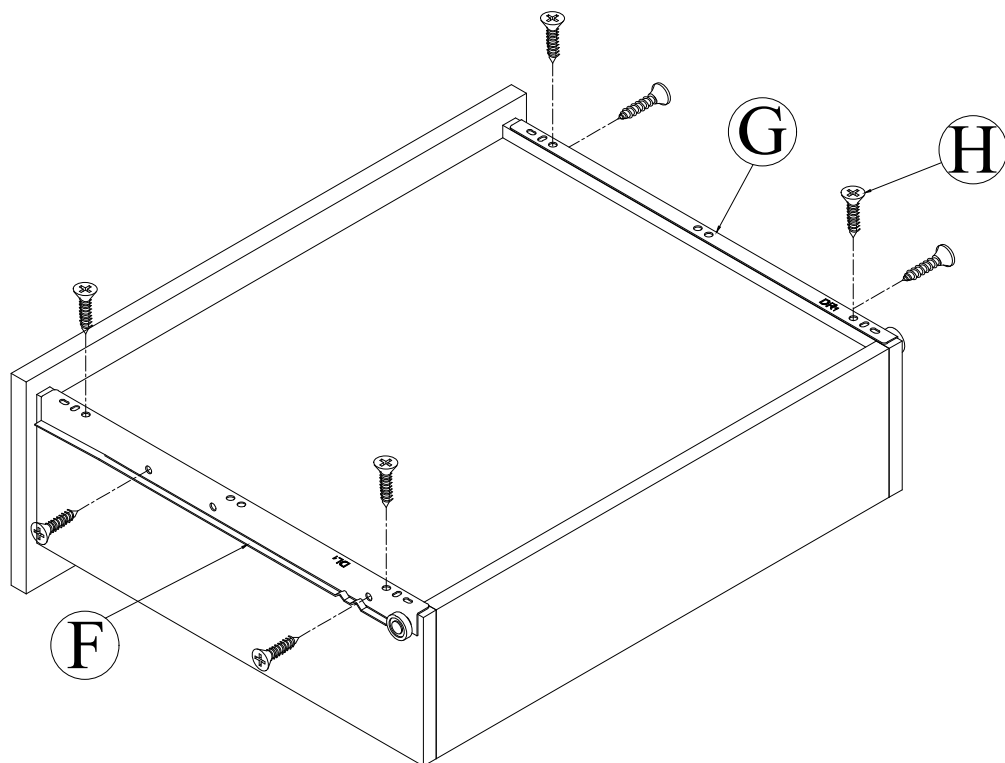
5).ASSEMBLE THE PANEL (6/10)

- ATTACH THE PANEL (10) AND THE PANEL (6) USING 3 SCREW (I)



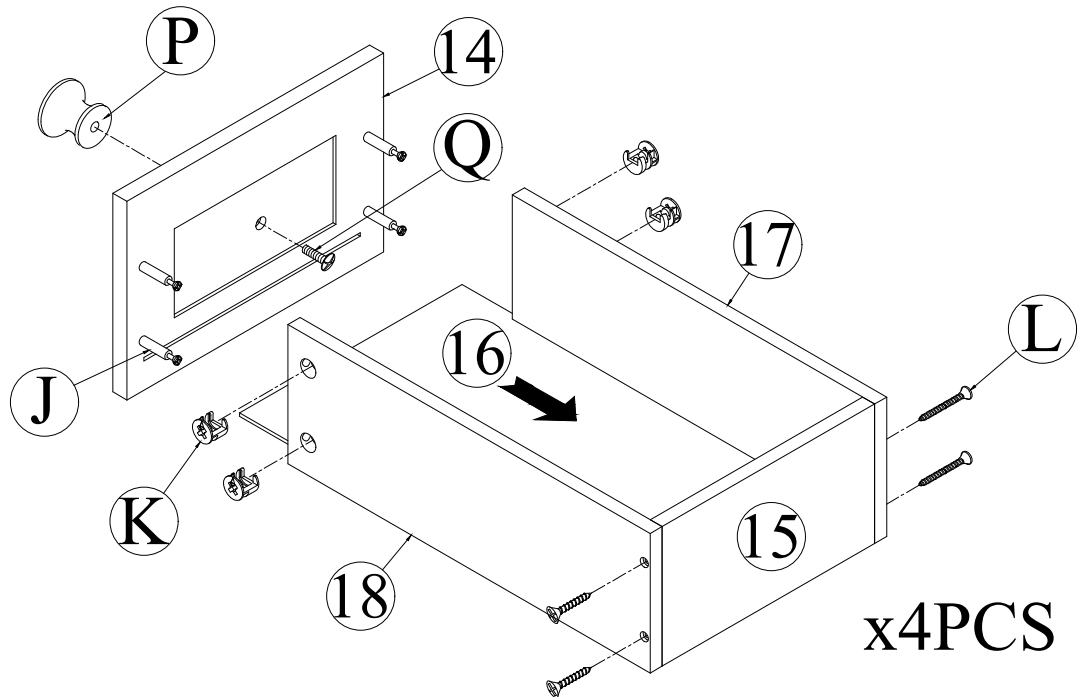
6).ASSEMBLE BIG DRAWER

- PLACE THE PANEL (17/18) INTO THE HOLES IN THE PANEL (12) AND ATTACH USING 4 SCREWS (L)
- SLIDE THE DRAWER BOTTOM PANEL (13) INTO THE TRENCH IN THE PANEL (17/18)
- ROTATE 4 CAM-BOLTS (J) INTO THE HOLES IN THE PANEL (11).
- PLACE THE PANEL (11) INTO THE HOLES IN THE PANEL (17/18) AND ATTACH USING 4 CAM-LOCK (K)
- PLACE THE KNOB (P) INTO THE HOLES IN THE PANEL (11) AND ATTACH USING BOLTS (Q)



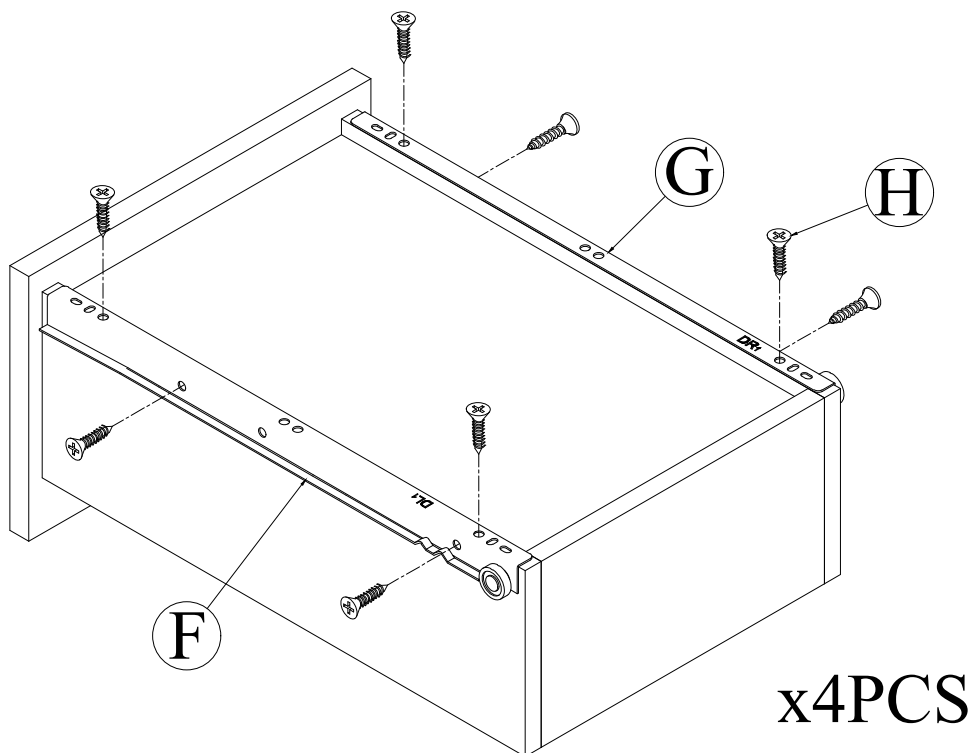
7).ASSEMBLE THE MALE SLIDING (F/G)

- PLACE THE MALE SLIDING (F/G) INTO THE HOLES IN THE PANEL (18/19) AND ATTACH USING 8 SCREWS (H)



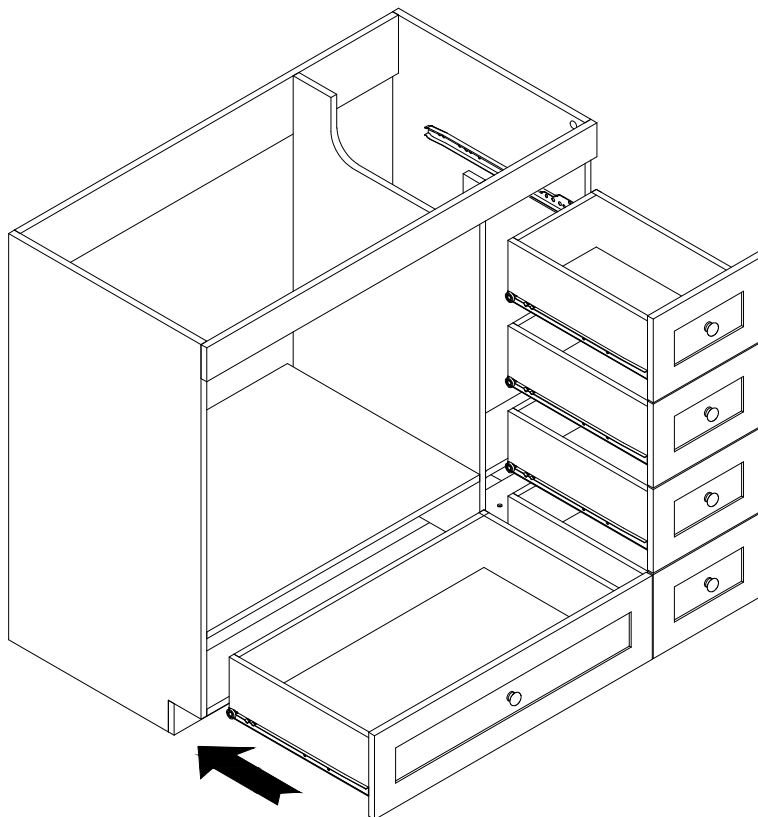
8).ASSEMBLE SMALL DRAWER

- PLACE THE PANEL (17/18) INTO THE HOLES IN THE PANEL (15) AND ATTACH USING 4 SCREWS (L)
- SLIDE THE DRAWER BOTTOM PANEL (16) INTO THE TRENCH IN THE PANEL (17/18)
- ROTATE 4 CAM-BOLTS (J) INTO THE HOLES IN THE PANEL (14).
- PLACE THE PANEL (14) INTO THE HOLES IN THE PANEL (17/18) AND ATTACH USING 4 CAM-LOCK (K)
- PLACE THE KNOB (P) INTO THE HOLES IN THE PANEL (14) AND ATTACH USING BOLTS (Q)



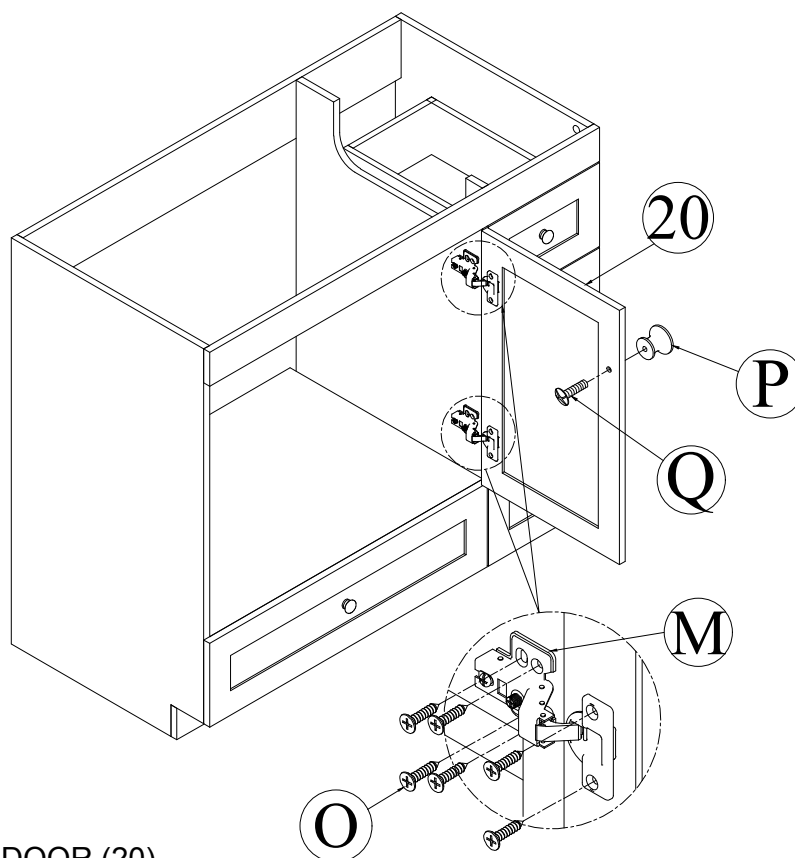
9).ASSEMBLE THE MALE SLIDING (F/G)

- PLACE THE MALE SLIDING (F/G) INTO THE HOLES IN THE PANEL (18/19) AND ATTACH USING 8 SCREWS (H)



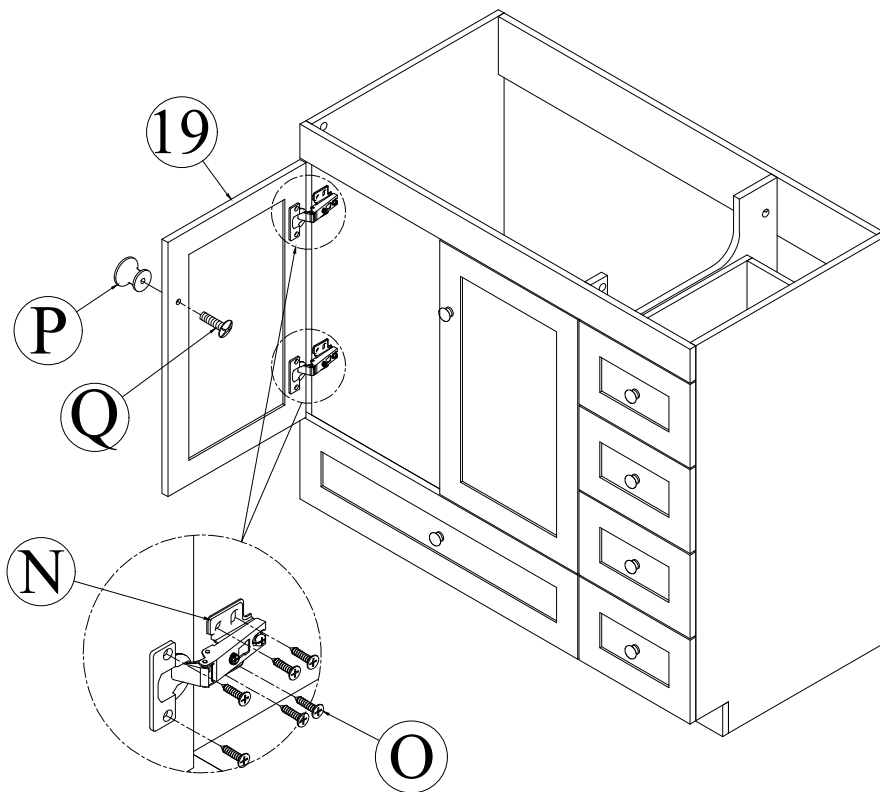
10).ASSEMBLE DRAWER AND MAIN BODY

- SLIDE THE DRAWERS INTO THE SLIDERS-OUTS.



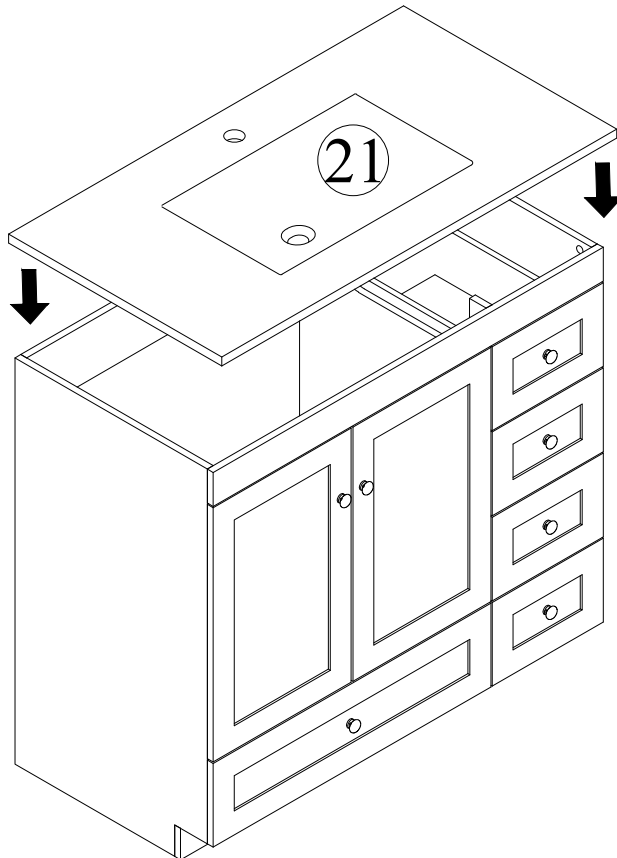
11.ASSEMBLE RIGHT DOOR (20)

- PLACE 2 HINGES (M) INTO THE PANEL (20) AND ATTACH USING 12 SCREWS (O)
- PLACE THE KNOB (P) INTO THE HOLES IN THE PANEL (20) AND ATTACH USING BOLTS (Q)



12.ASSEMBLE LEFT DOOR (19)

- PLACE 2 HINGES (N) INTO THE PANEL (19) AND ATTACH USING 12 SCREWS (O)
- PLACE THE KNOB (P) INTO THE HOLES IN THE PANEL (19) AND ATTACH USING BOLTS (Q)



13).ASSEMBLE SINK

- PLACE THE SINK (21) INTO THE MAIN BODY

FINISH!

