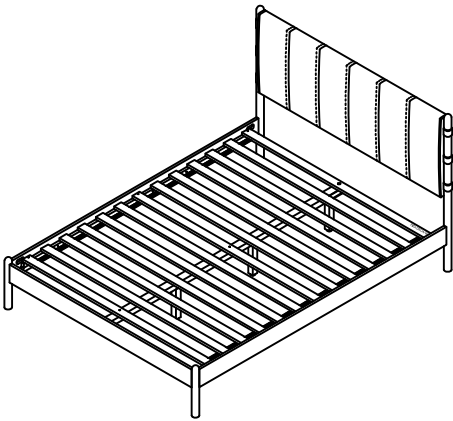


# ASSEMBLY INSTRUCTIONS

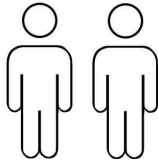
## QUEEN



**+ Do Not Use Power Tools**



**+ Suggested Adults**



**NOTE:**

- 1 Read instructions cover to cover.
- 2 Save all packaging until assembly is completed.

**1 IMPORTANT SAFETY INFORMATION**

Do not assemble the product if any of the following parts arrived damage:

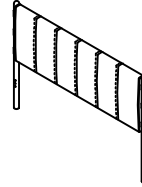
- Part 3 - Side Rails
- Part 4 - Center Support Bar
- Part 5 - Support Legs
- Part 6 - Slats

**2 IMPORTANT ASSEMBLY INFORMATION**

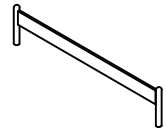
**Assembly Step** Ensure the side rail bracket is fully hooked onto bolt loosely threaded with both washers on the OUTSIDE of the bracket first, then proceed to fully tightening all 4 corners.

**+ Parts Included**

① HEADBOARD (1 PC)



② FOOTBOARD (1 PC)



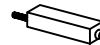
③ SIDE RAILS (2 PCS)



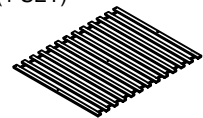
④ CENTER SUPPORT BAR (1 PC)



⑤ SUPPORT LEGS (3 PCS)



⑥ SLATS (1 SET)



**+ Hardware Included**

**A** M6 x 40mm (1 PC)



**B** M6 x 60mm (8 PCS)



**C** M6 (8 PCS)



**D** M4 x 32mm (8 PCS)



**E** M8 x 30mm (4 PCS)

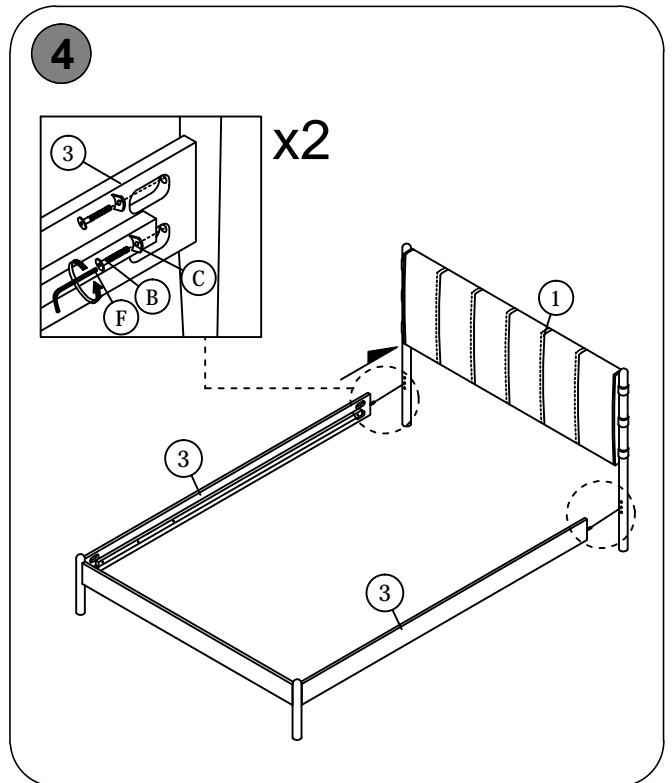
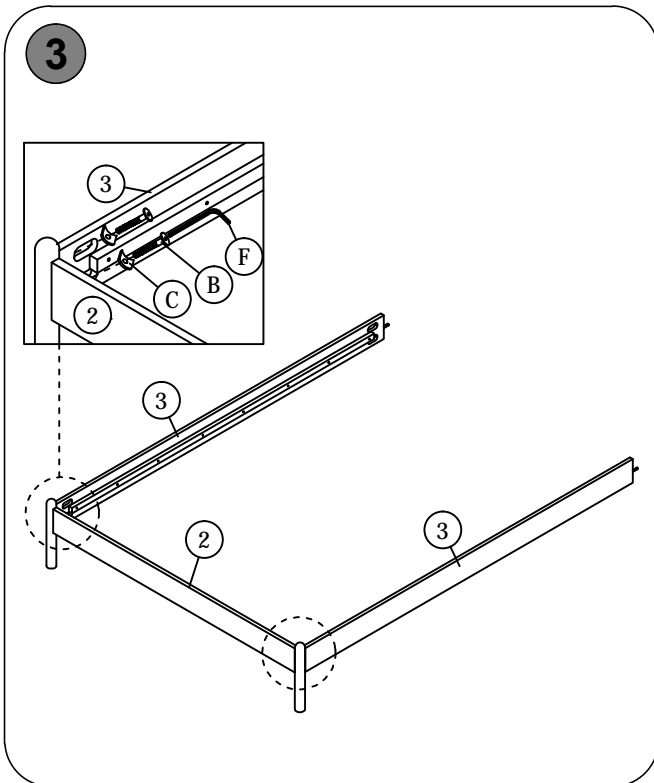
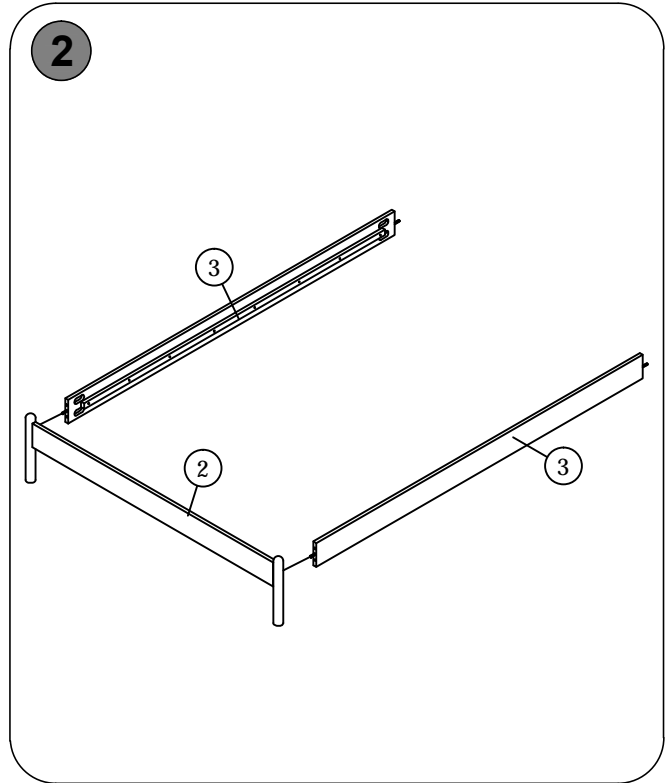
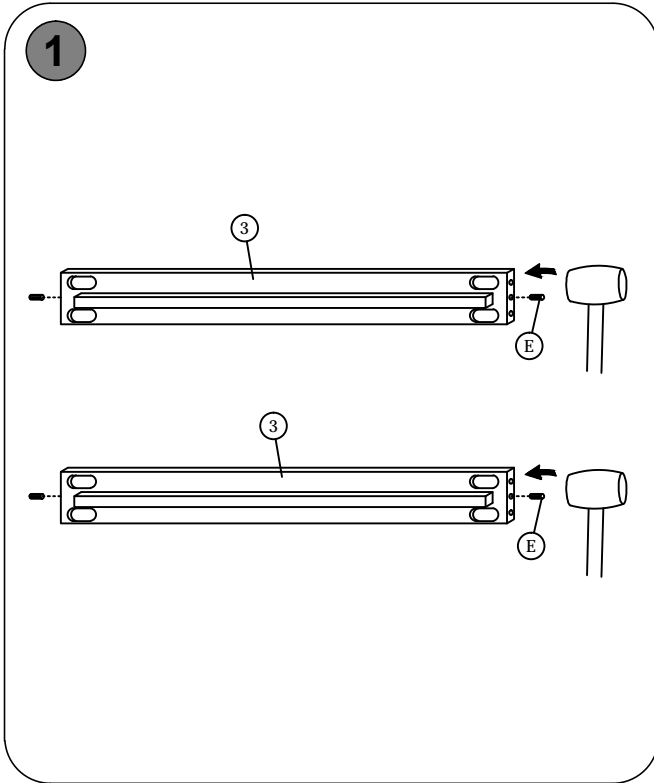


**F** M4 (1 PC)



# ASSEMBLY INSTRUCTIONS

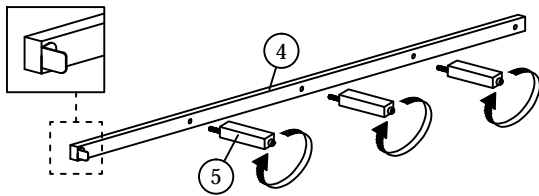
## QUEEN



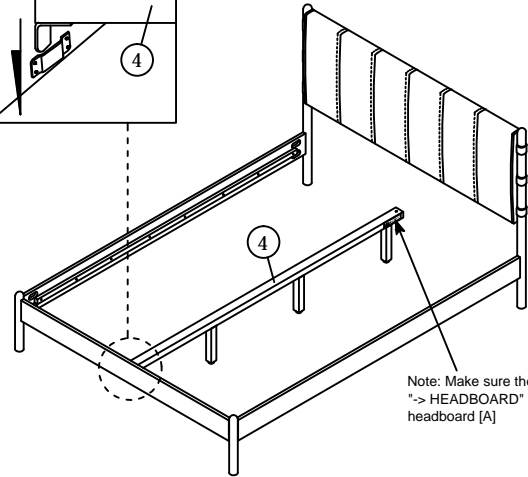
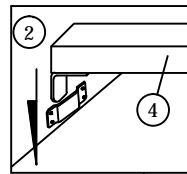
# ASSEMBLY INSTRUCTIONS

## QUEEN

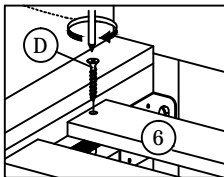
5



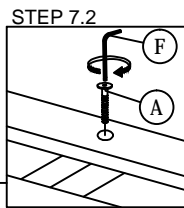
6



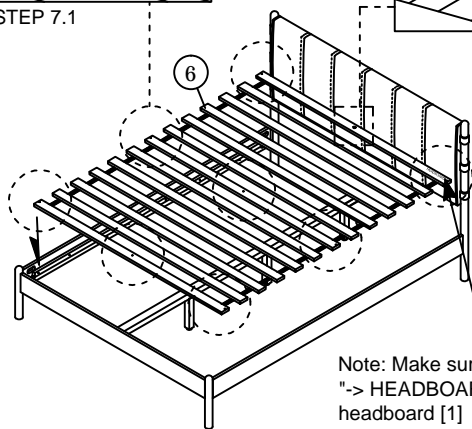
7



STEP 7.1



STEP 7.2



8

