

Assembly Instruction Manual

CAUTION:

Before installing fixture, make sure the power to the circuit is turned off at the main fuse box.

IMPORTANT SAFETY INSTRUCTIONS:

- These instructions are provided for your safety. It is very important that they are read carefully and completely before beginning the assembly and installation of this lighting fixture.
- We strongly recommend that a professional electrician install all direct wire fixtures.

PRE-ASSEMBLY:






- Remove all parts and hardware from box along with any plastic protective packaging.
- Do not discard any contents until after assembly is complete to avoid accidentally discarding small parts or hardware.
- For your safety, it is strongly recommended that two people install the lighting fixture.

WARNING:

- To reduce the risk of fire, electrical shock or personal injury, always turn off light fixture and allow it to cool prior to replacing the light bulb.
- Do not touch bulb when fixture is turned on; do not look directly at a lit bulb.
- Keep flammable materials away from lit bulb.

TOOLS REQUIRED (not included):

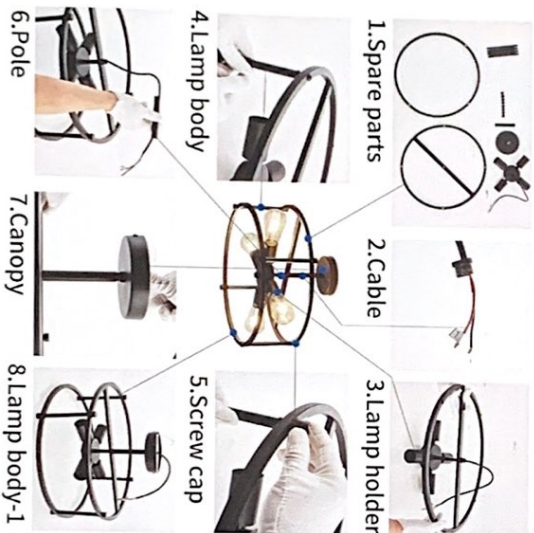
- The following installation tools are for reference only.

				
Step Ladder	Phillips Head Flat Blade Screwdrivers	Plier	Wire Cutter/Stripper	Electrical Tape

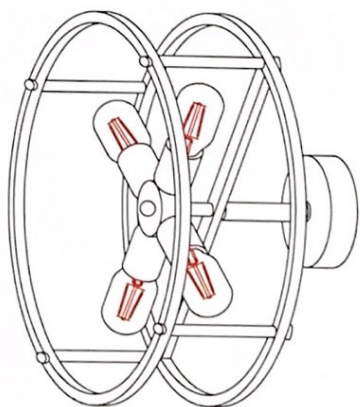
CARE INSTRUCTIONS:

- Wipe clean with a soft, dry cloth or static duster.
- Always avoid the use of harsh chemicals or abrasive cleaners as they may cause damage the fixture's finish.

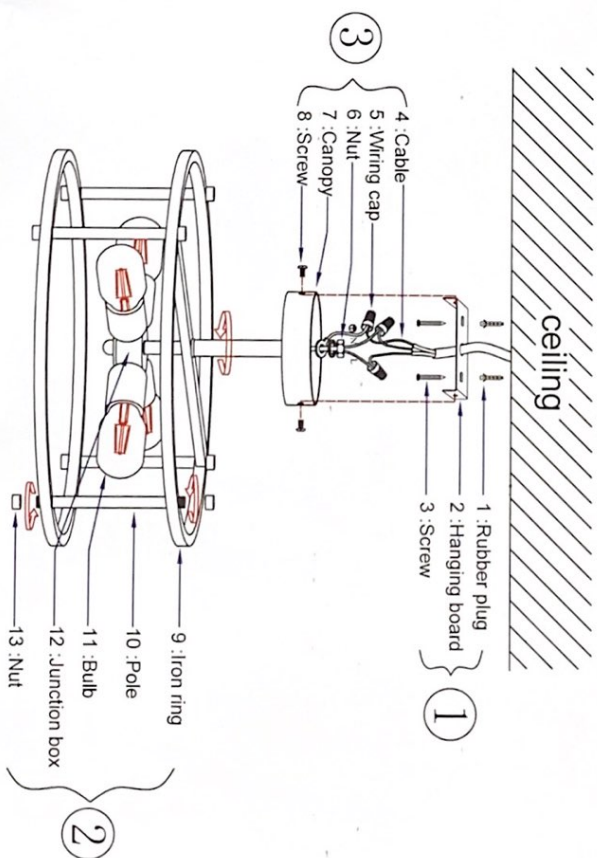
PRODUCT RENDERING:



Please open the lamp link to view the installation video or
Installation picture, which has detailed installation steps.



Reference map



Installation steps
Install in sequence by serial number

