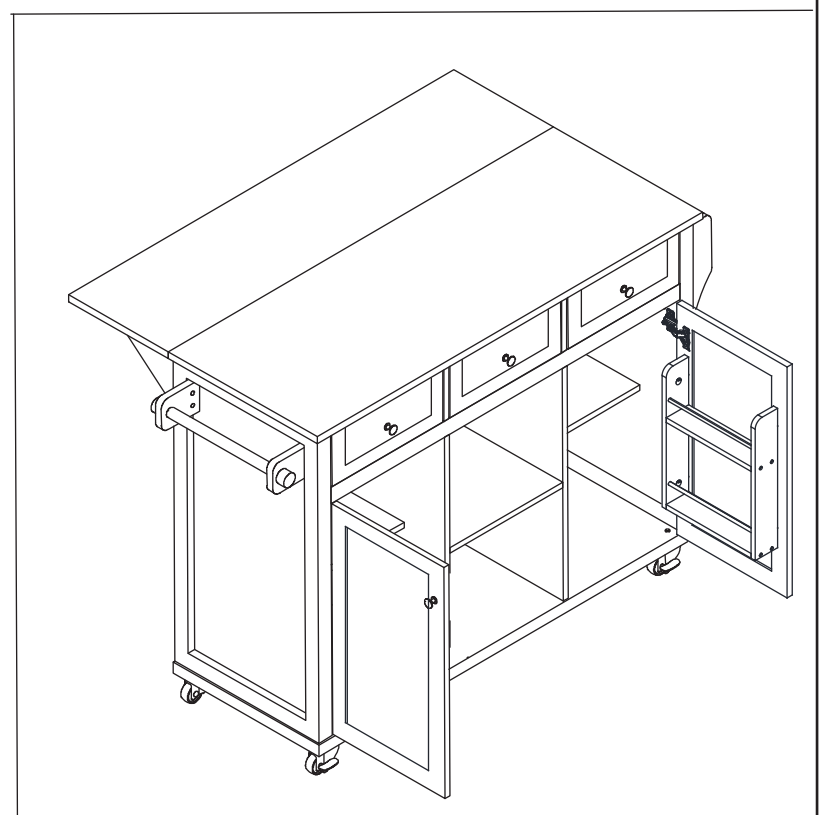
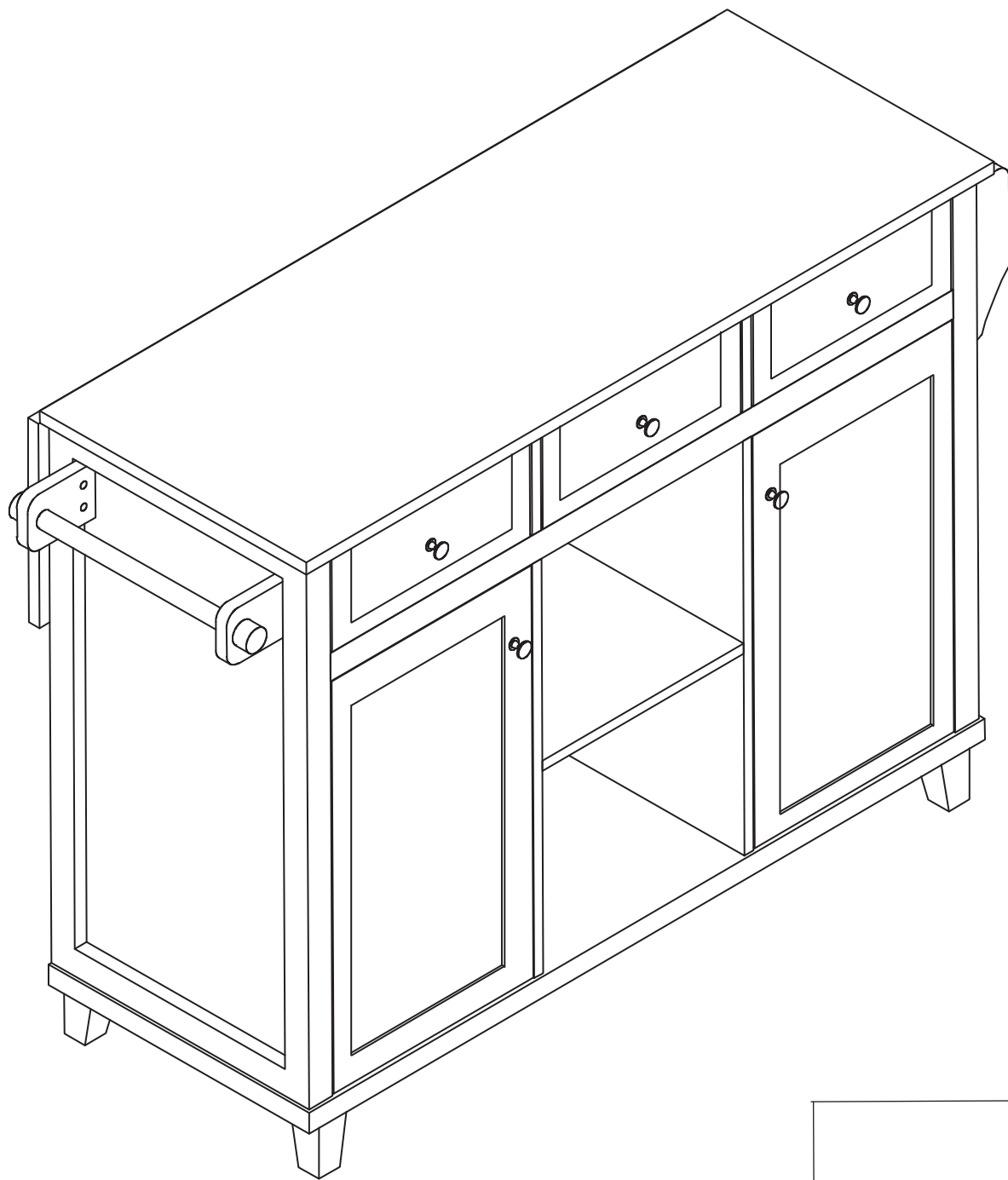
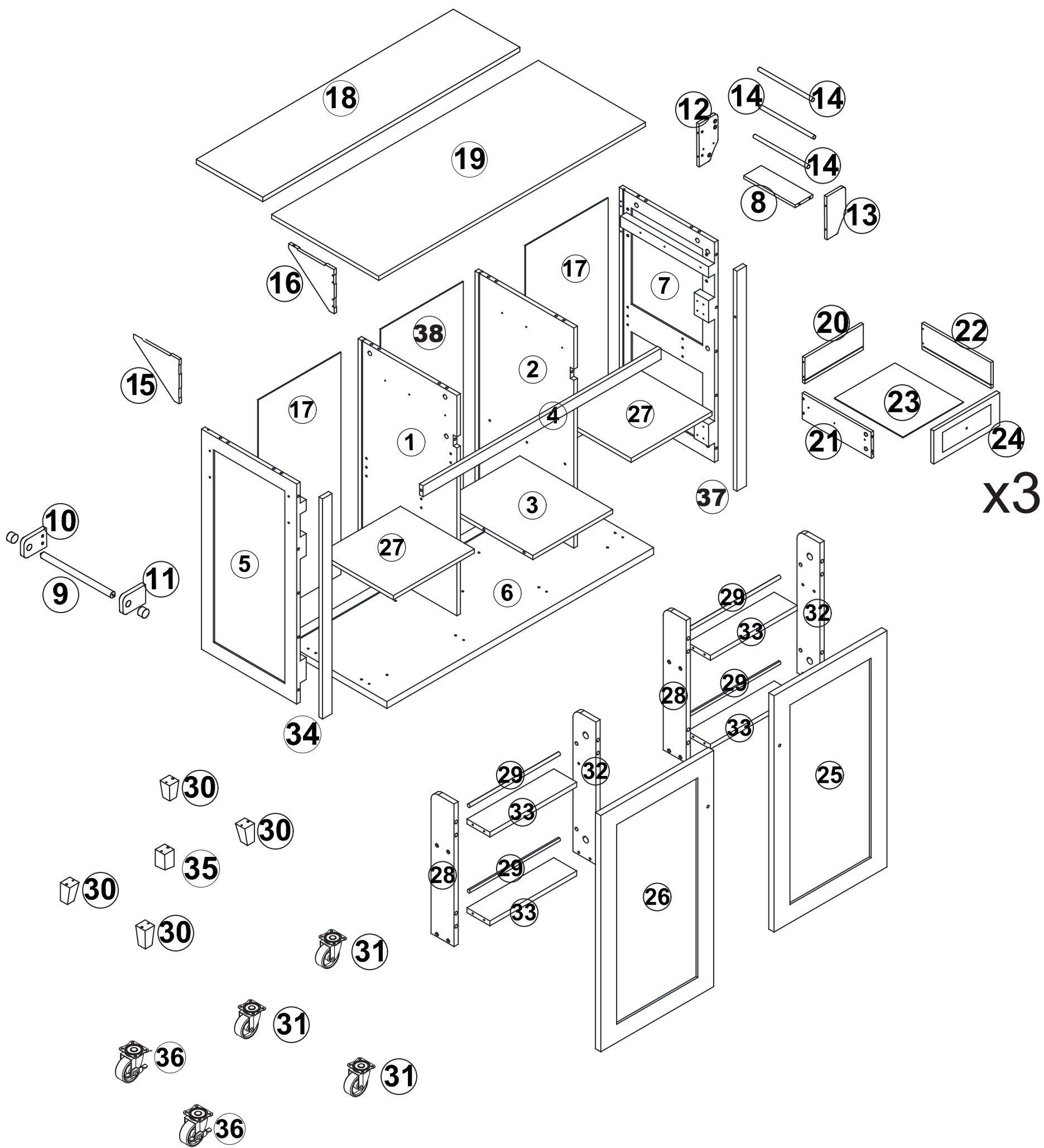
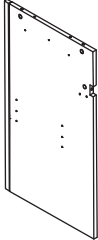
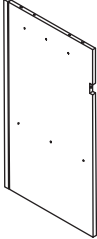
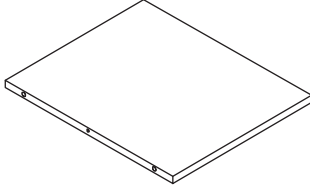
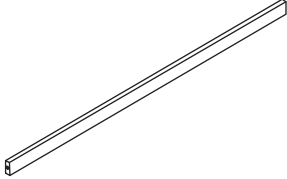
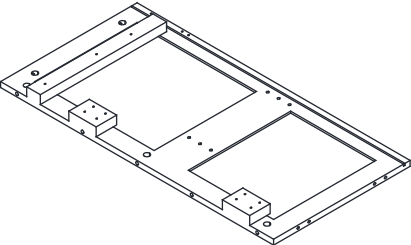
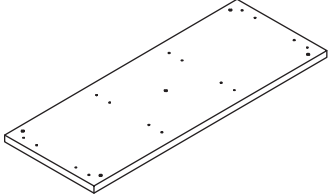
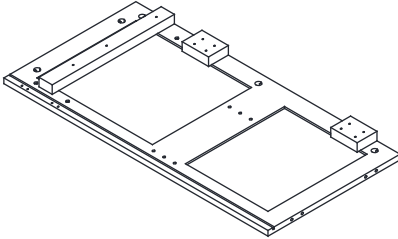
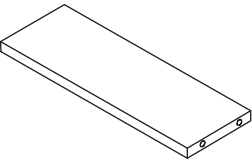
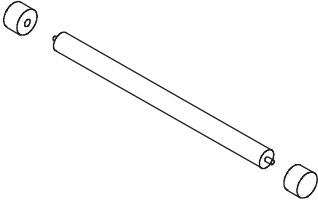
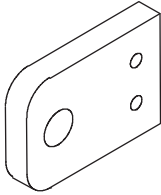
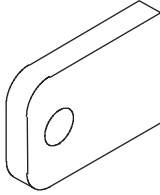
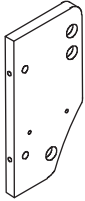
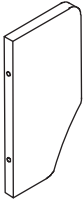
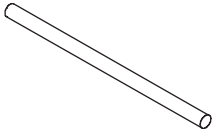
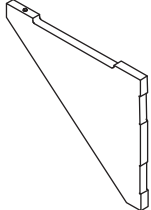
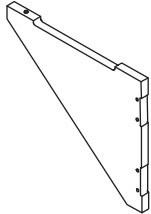

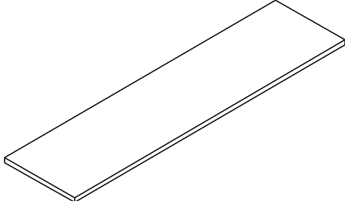
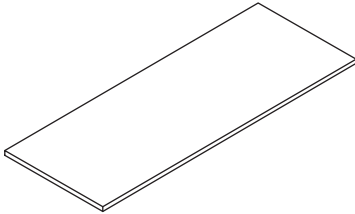
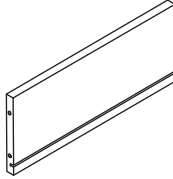
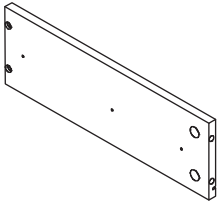
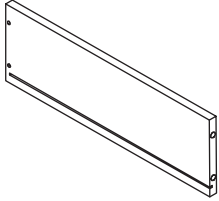
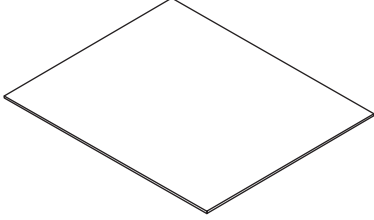
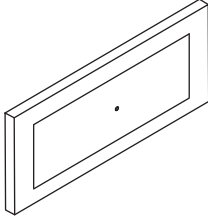
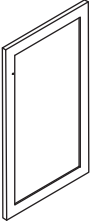
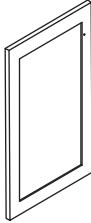
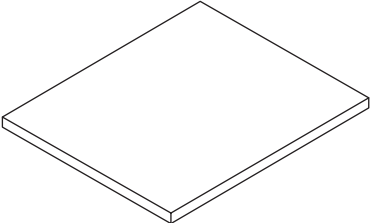
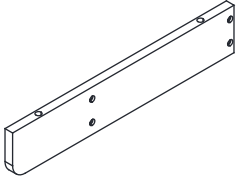


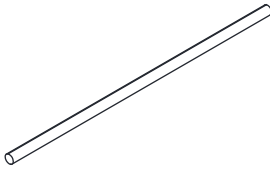
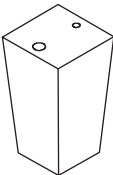
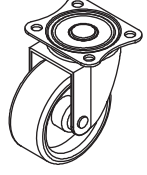
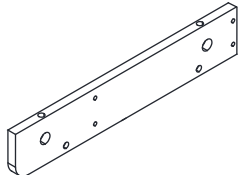
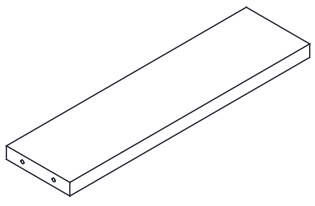
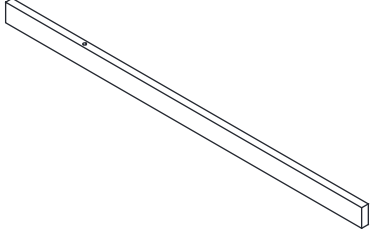
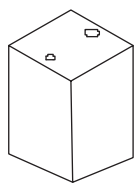
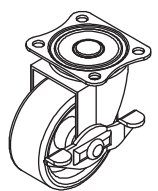
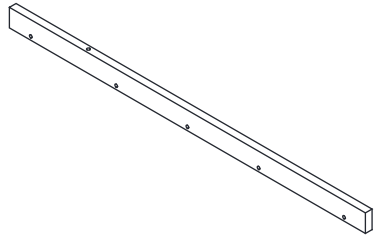

# ASSEMBLY INSRTRUCTION

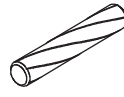
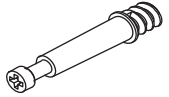

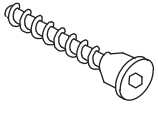
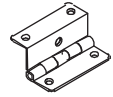
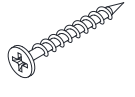

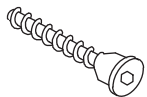



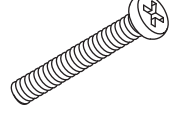
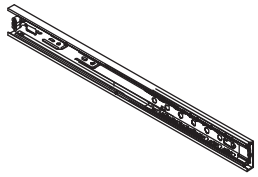
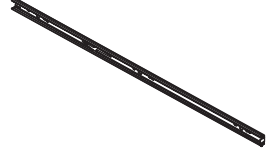
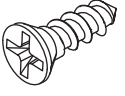
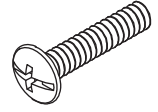
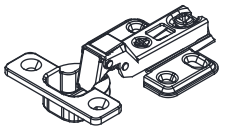

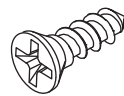

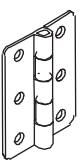
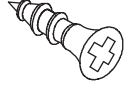
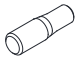
ITEM:KiTtchen Island Cart



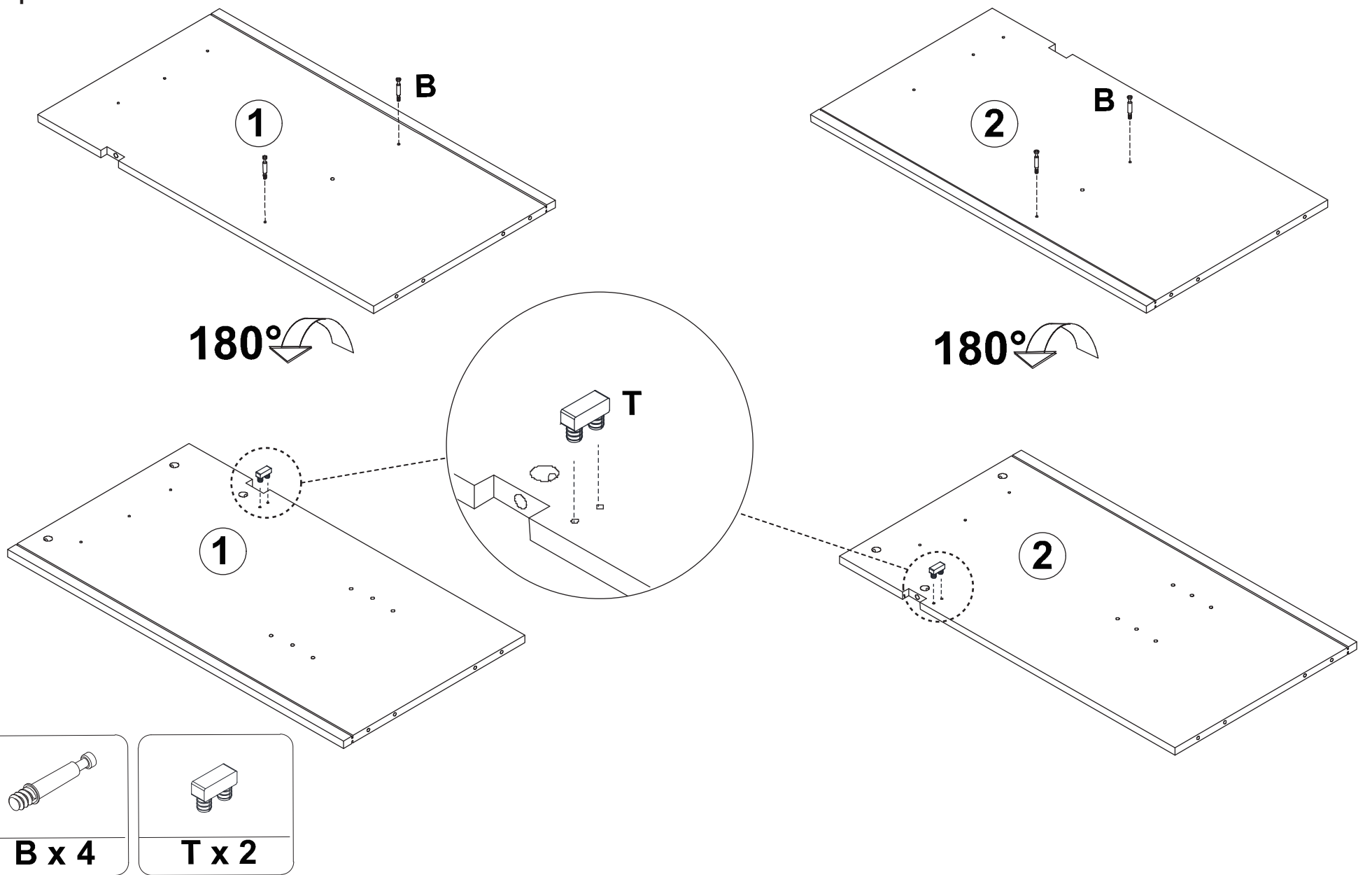


|   |   |   |   |
|---|---|---|---|
|    |    |    |    |
| <b>① x 1</b>  | <b>② x 1</b>  | <b>③ x 1</b>  | <b>④ x 1</b>  |
|    |    |    |    |
| <b>⑤ x 1</b>  | <b>⑥ x 1</b>  | <b>⑦ x 1</b>  | <b>⑧ x 1</b>  |
|  |  |  |  |
| <b>⑨ x 1</b>  | <b>⑩ x 1</b>  | <b>⑪ x 1</b>  | <b>⑫ x 1</b>  |
|  |  |  |  |
| <b>⑬ x 1</b>  | <b>⑭ x 3</b>  | <b>⑮ x 1</b>  | <b>⑯ x 1</b>  |
|  |  |  |  |
| <b>⑰ x 2</b>  | <b>⑱ x 1</b>  | <b>⑲ x 1</b>  | <b>⑳ x 3</b>  |
|  |  |  |  |
| <b>㉑ x 3</b>  | <b>㉒ x 3</b>  | <b>㉓ x 3</b>  | <b>㉔ x 3</b>  |
|  |  |  |  |
| <b>㉕ x 1</b>  | <b>㉖ x 1</b>  | <b>㉗ x 2</b>  | <b>㉘ x 2</b>  |

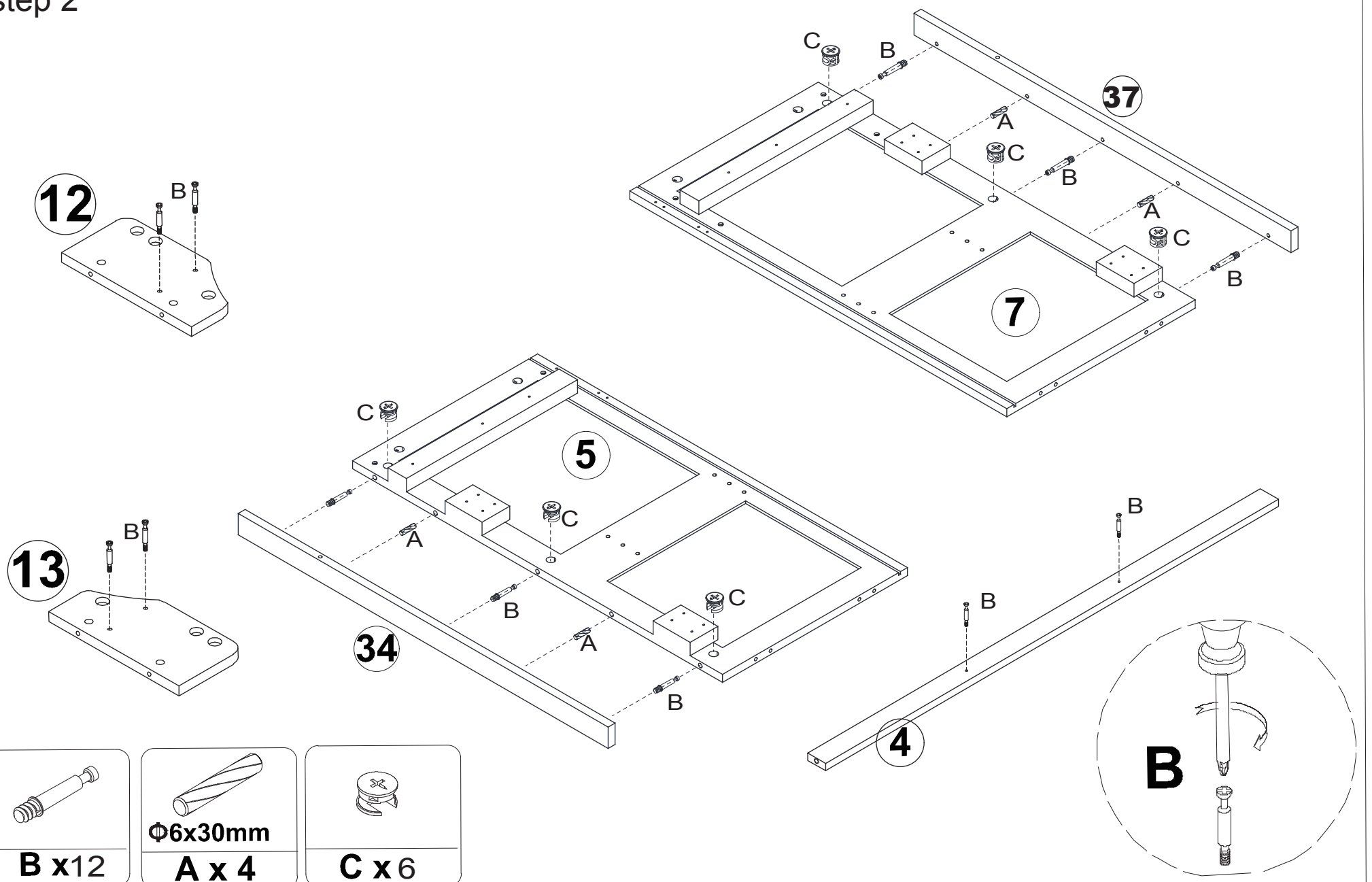
|   |   |   |   |
|---|---|---|---|
|    |    |  |  |
| <b>29 x 4</b>   | <b>30 x 4</b>   | <b>31 x 3</b>   | <b>32 x 2</b>   |
|    |    |  |  |
| <b>33 x 4</b>   | <b>34 x 1</b>   | <b>35 x 1</b>   | <b>36 x 2</b>   |
|  |  |   |   |
| <b>37 x 1</b>   | <b>38 x 1</b>   |   |   |

|   |   |  |   |   |   |
|---|---|--|---|---|---|
|  |  |   |  |  |  |
| <b>Φ6x30mm</b>  |   |  | <b>Φ5x50mm</b>  |   | <b>M4x40mm</b>  |
| <b>A x 29</b>   | <b>B x 44</b>   | <b>C x 44</b>  | <b>D x 4</b>  | <b>E x 4</b>  | <b>F x 4</b>  |
|  |  |  |  |  |  |
| <b>Φ 4x14mm</b>   | <b>M5x40mm</b>  | <b>Φ4x35mm</b>   |   |   | <b>M6x45mm</b>  |
| <b>G x 20</b>   | <b>H x 5</b>  | <b>I x 28</b>  | <b>J x 1</b>  | <b>K x 8</b>  | <b>L x 8</b>  |
|  |  |   |  |  |  |
| <b>M x 6</b>  | <b>N x 6</b>  | <b>Φ3x12mm</b><br><b>O x 36</b>  | <b>Φ 4x14mm</b><br><b>P x 5</b>   | <b>Q x 4</b>  | <b>R x 5</b>  |
|  |  |   |  |  |   |
| <b>Φ4x14mm</b><br><b>S x 24</b>   | <b>T x 2</b>  | <b>U x 3</b>   | <b>Φ3x14mm</b><br><b>V x 38</b>   | <b>Wx8</b>  |   |

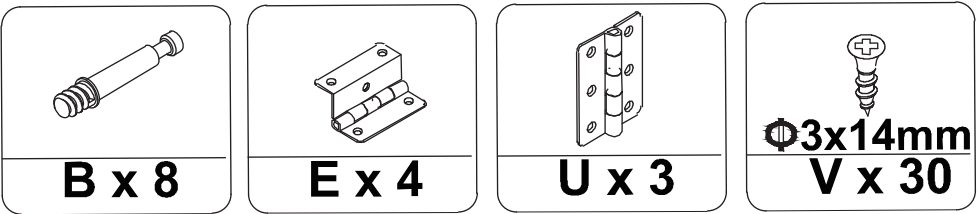
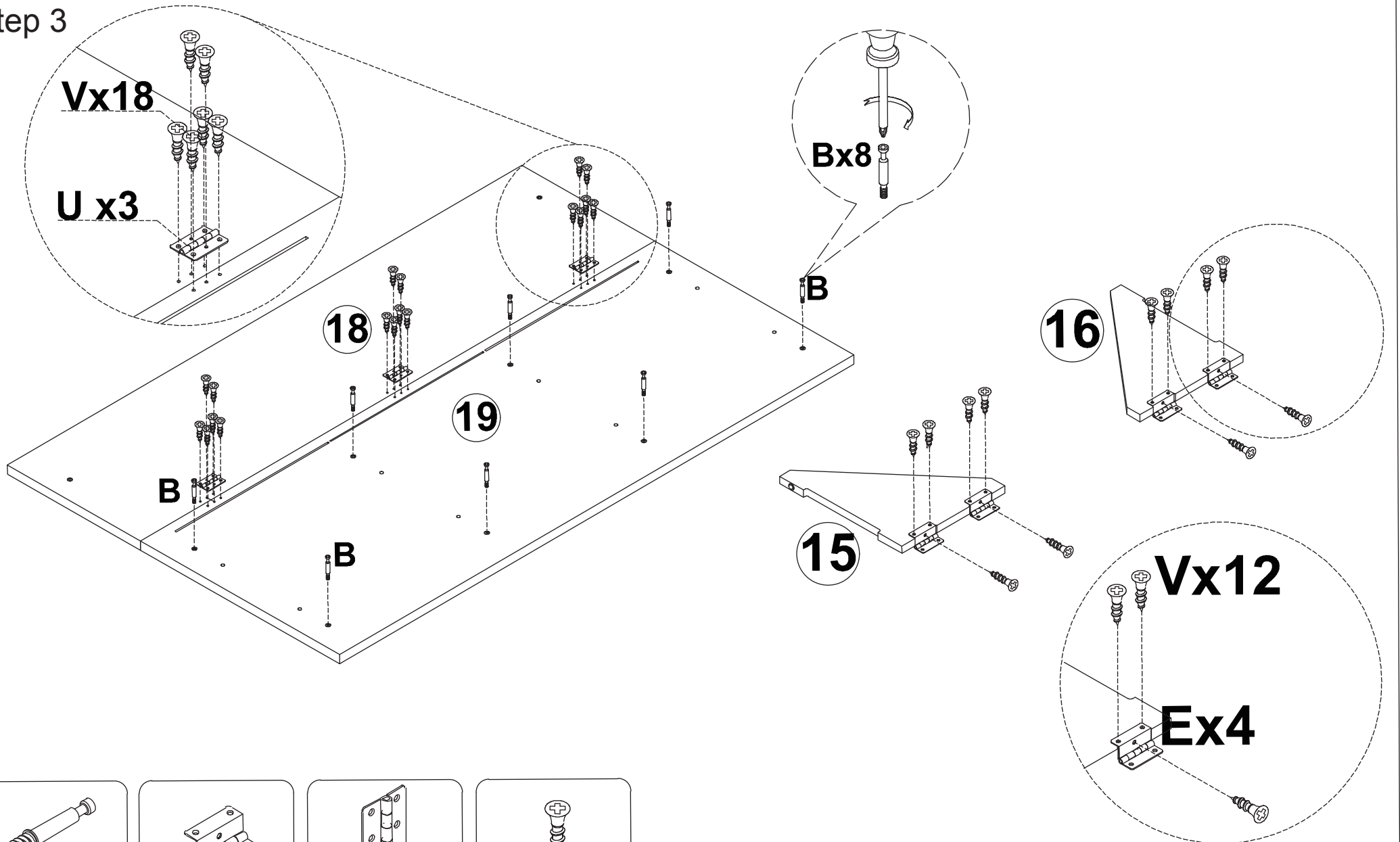
step 1



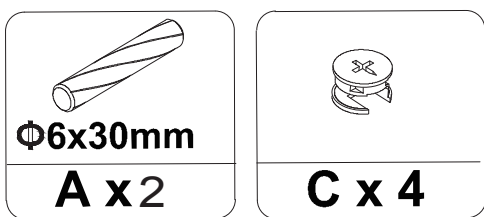
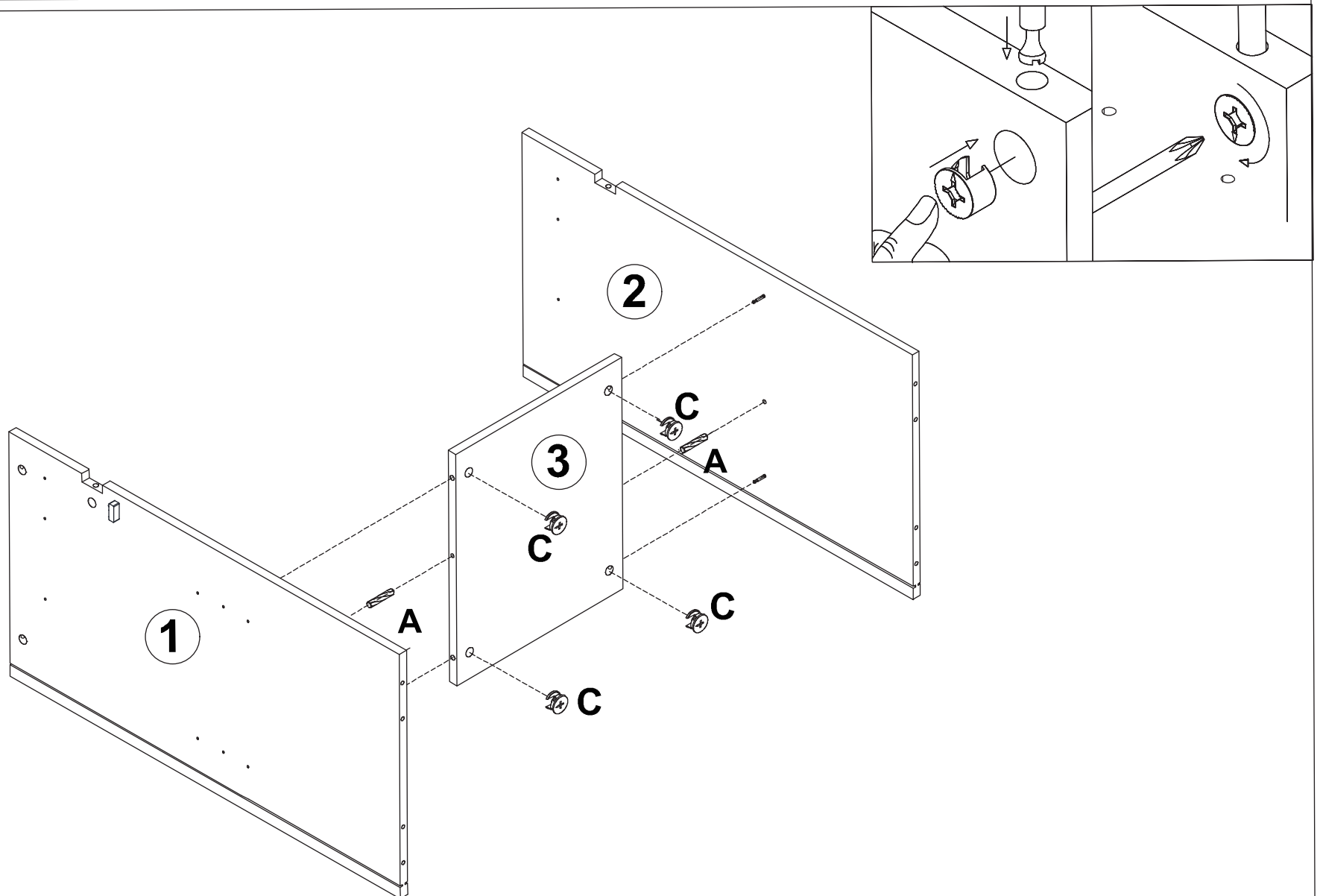
step 2



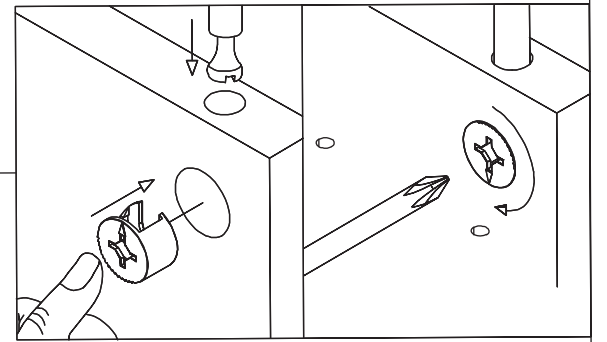
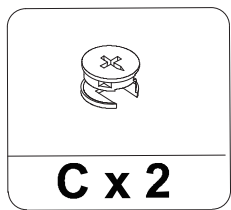
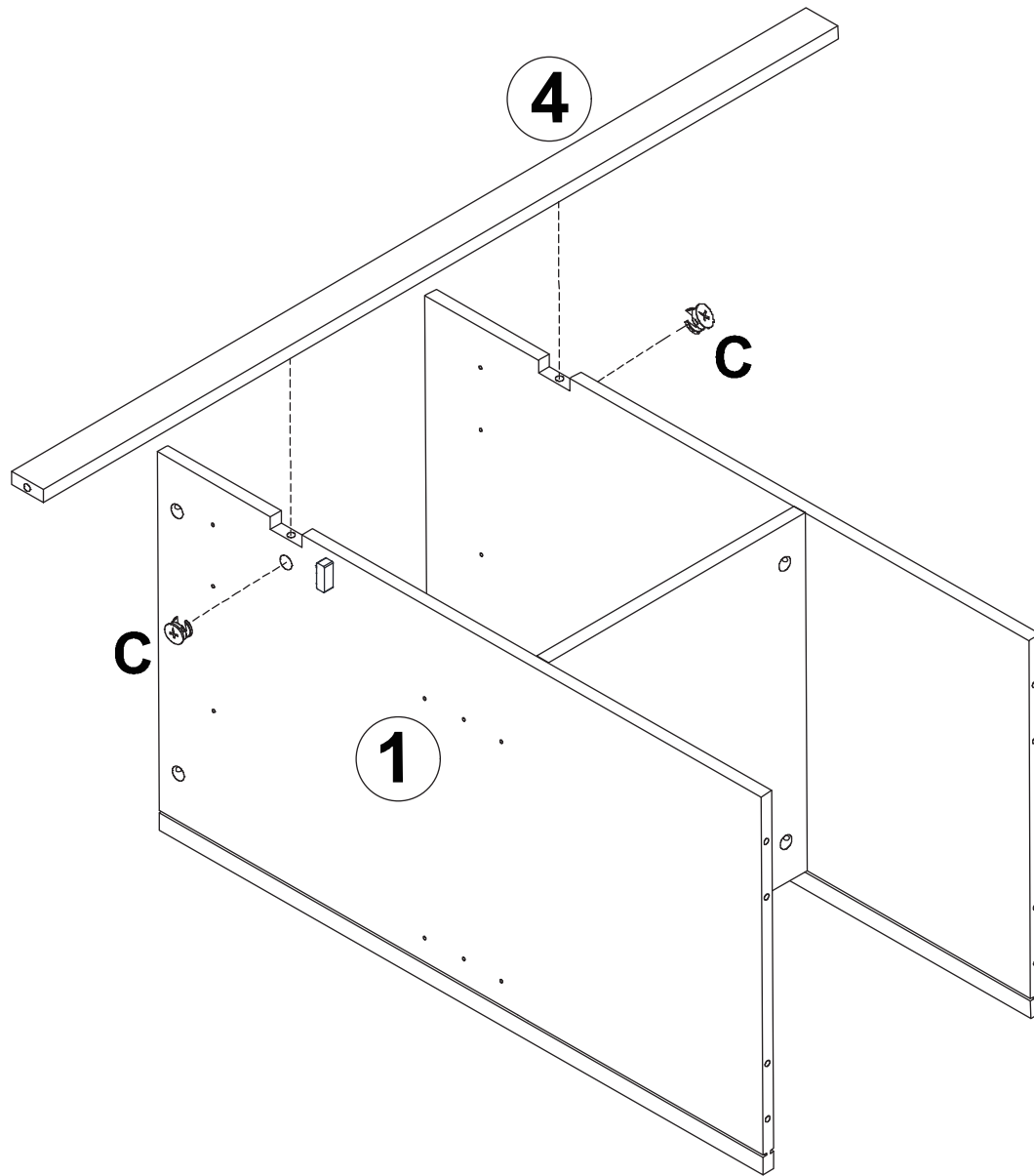
step 3



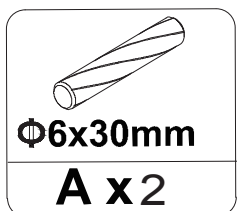
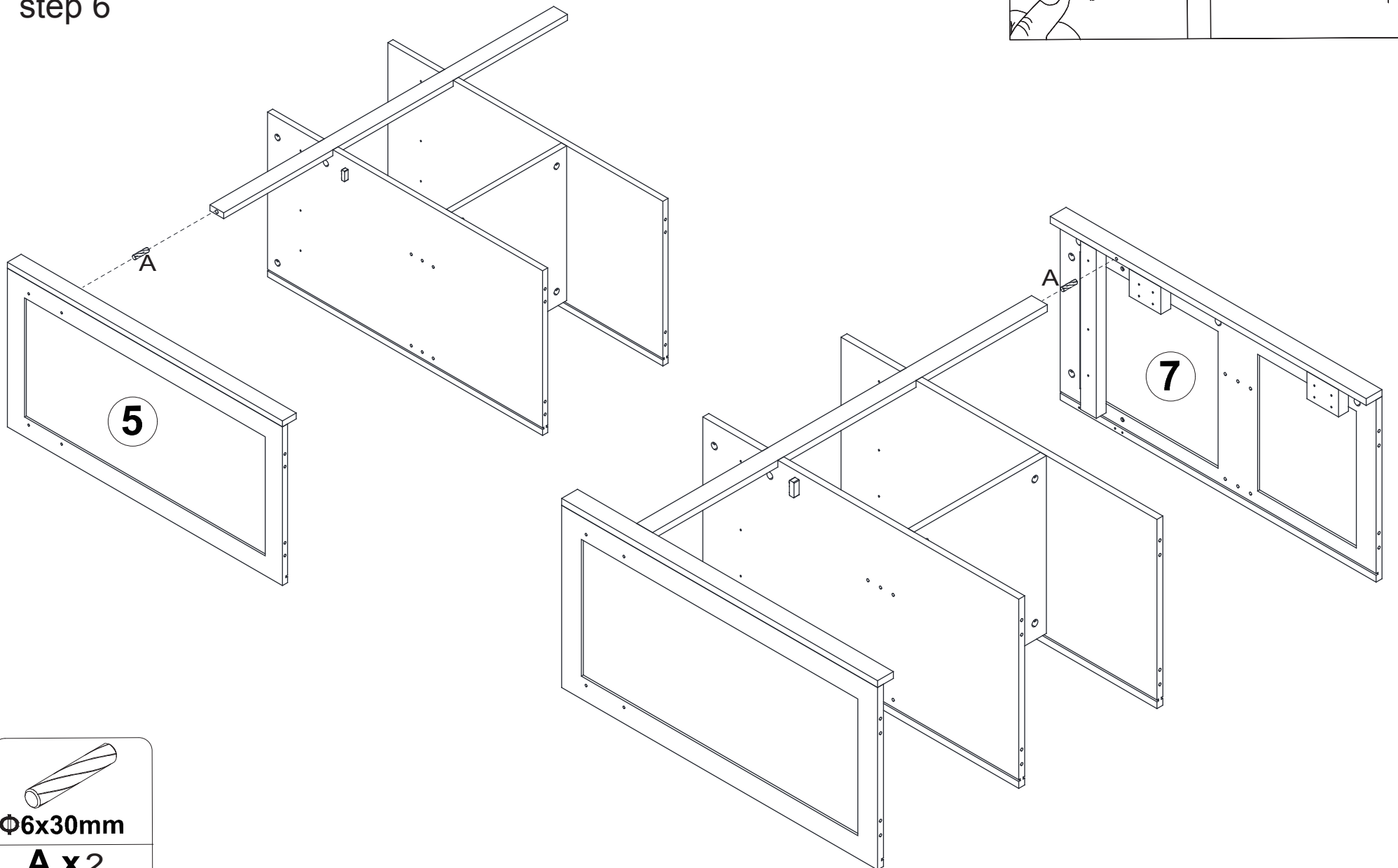
step 4



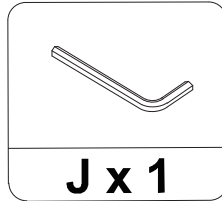
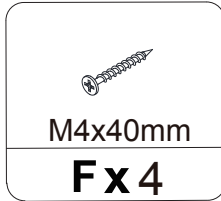
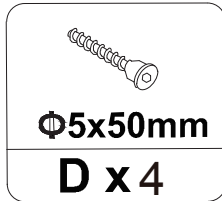
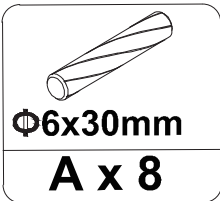
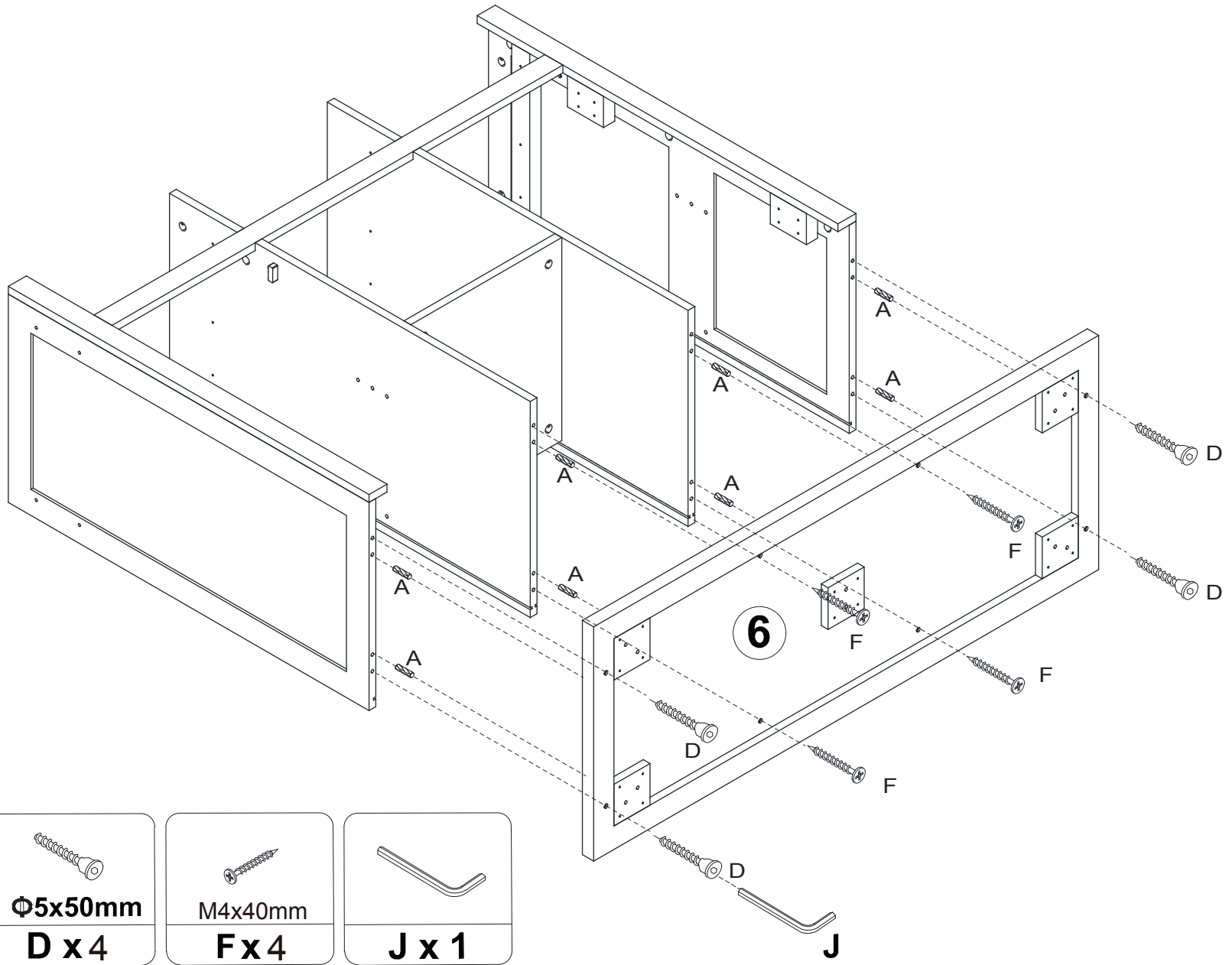
step 5



step 6



step 7

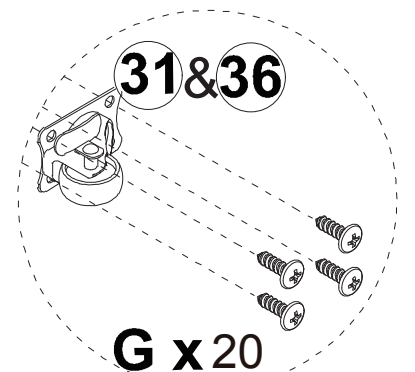
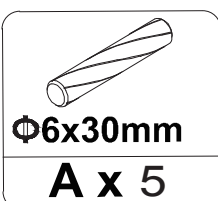
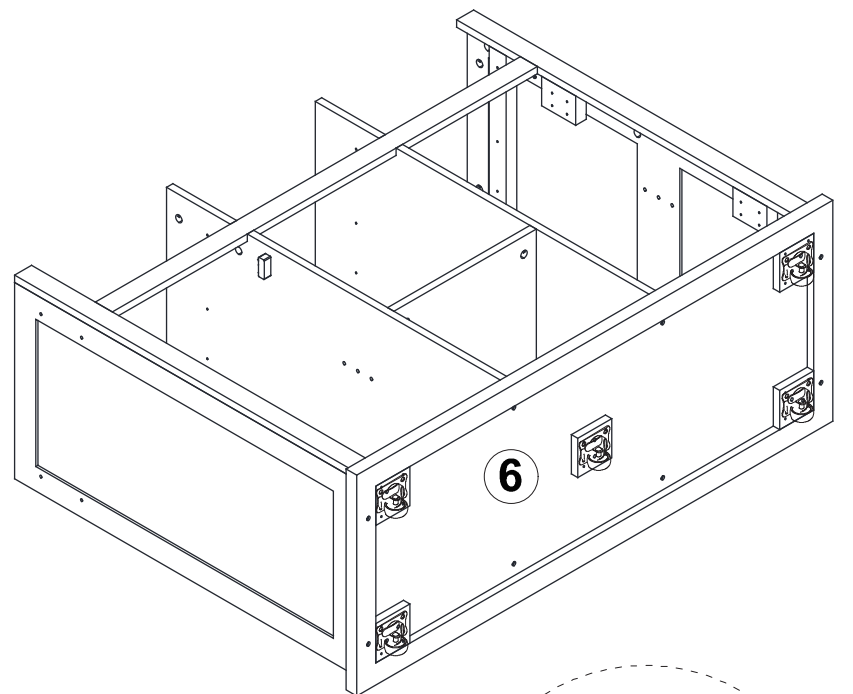
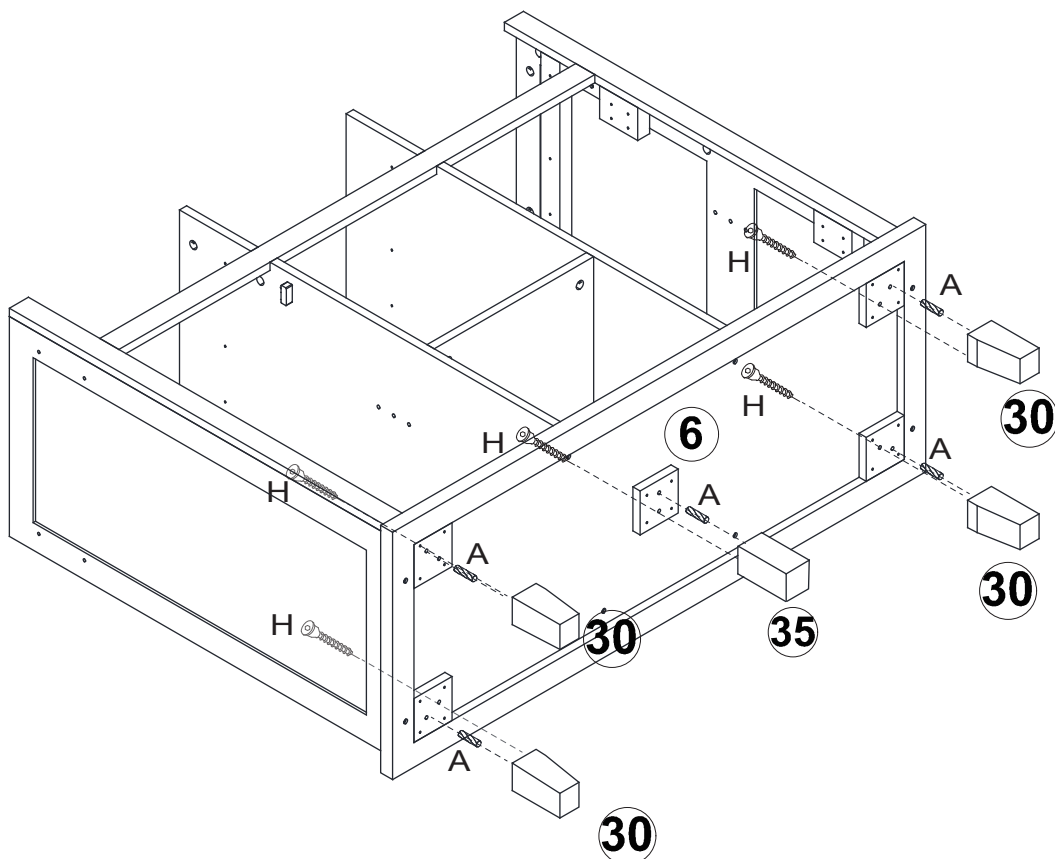


step 8

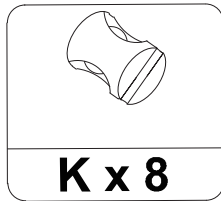
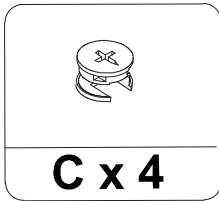
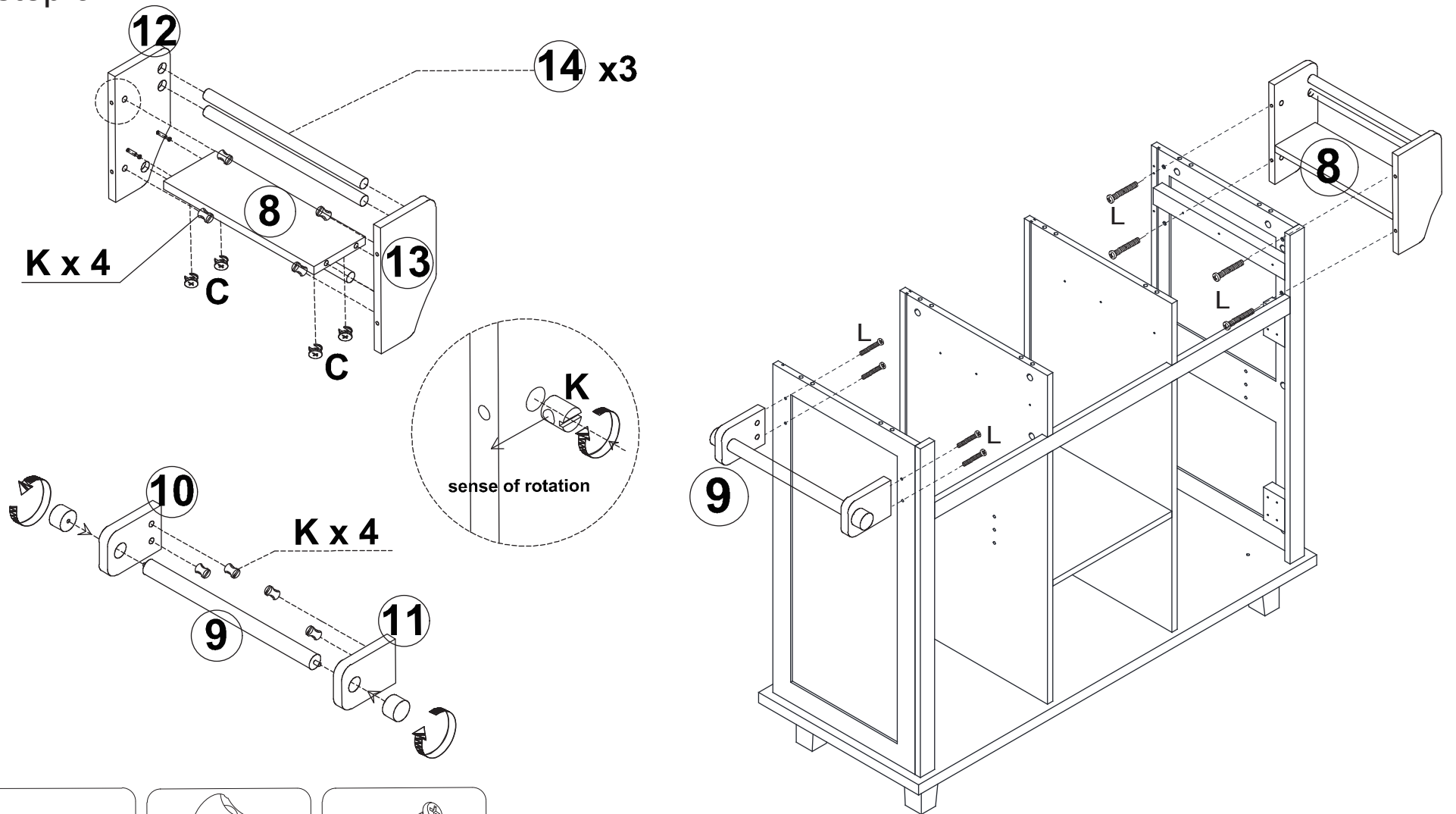
Plan 1

or

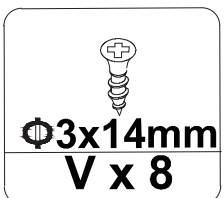
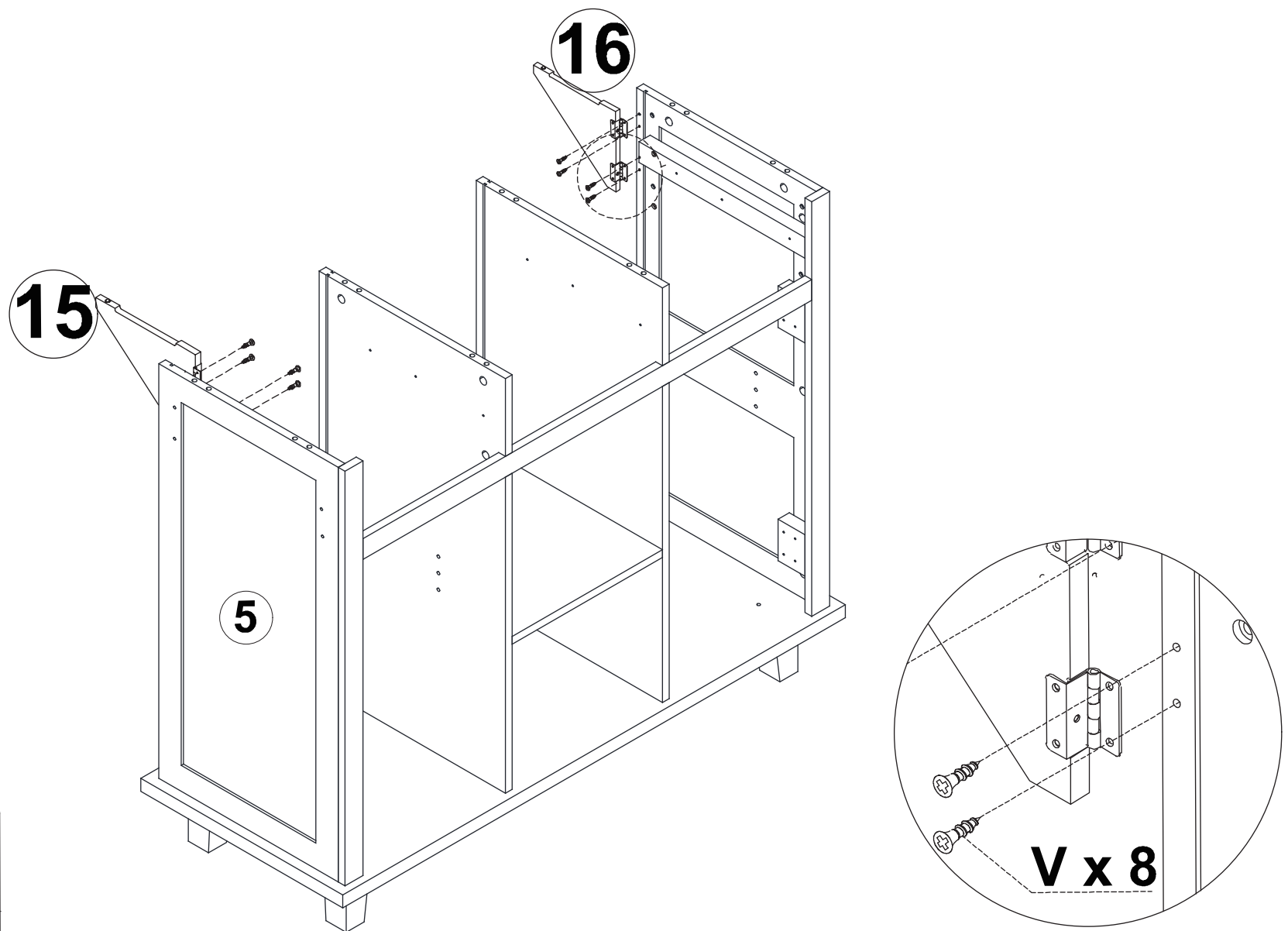
Plan 2



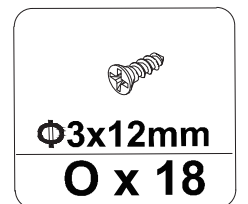
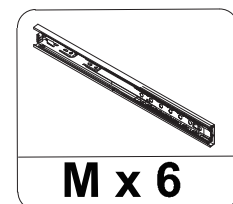
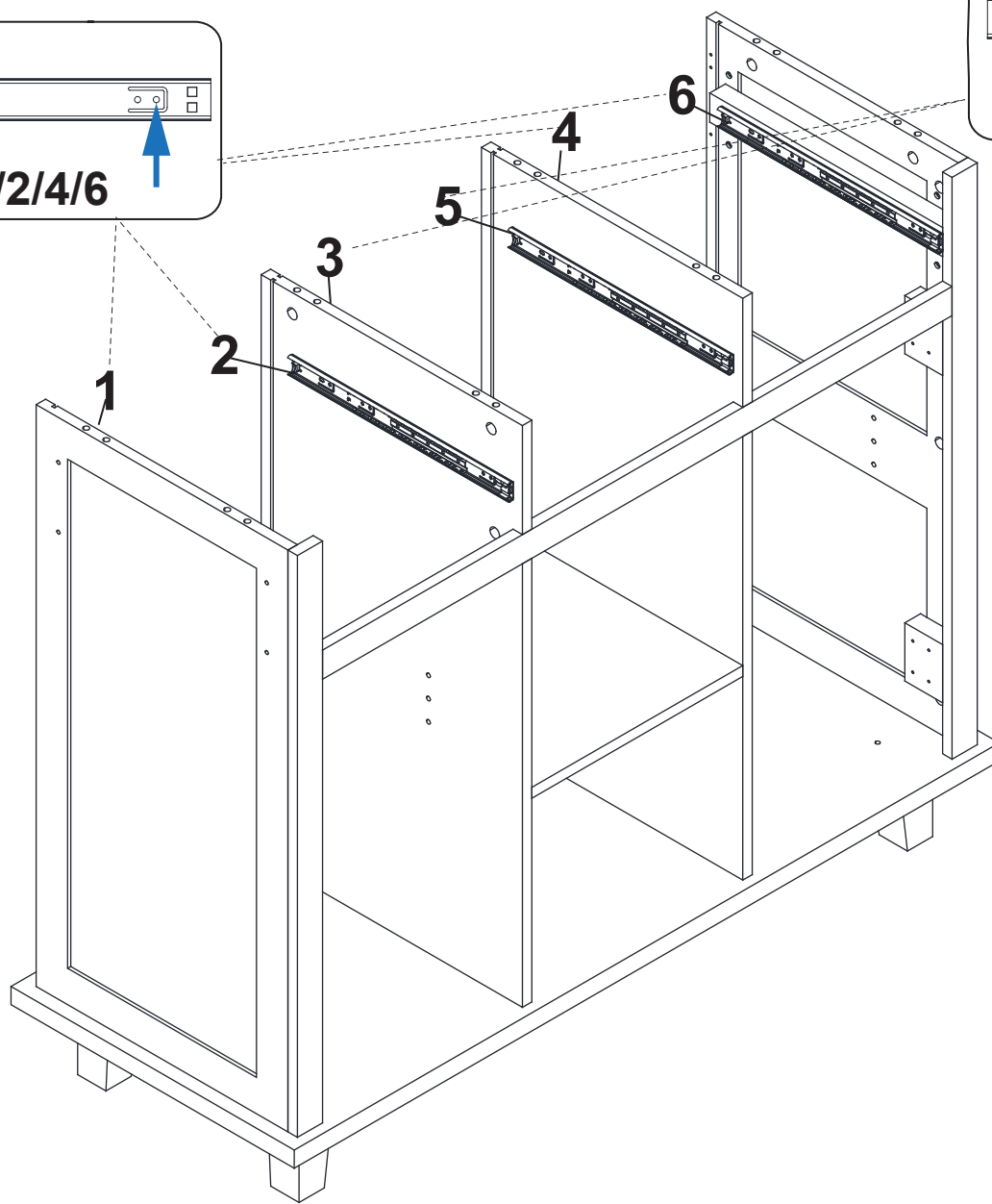
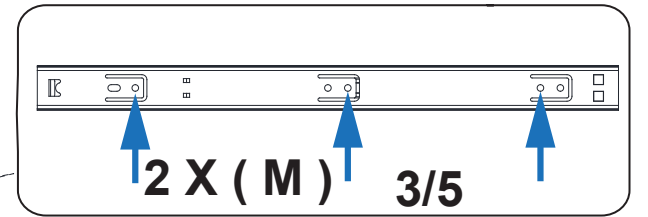
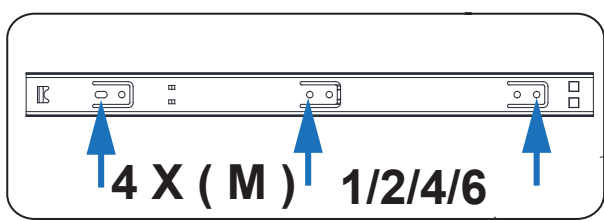
step 9



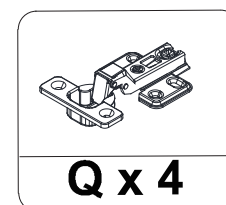
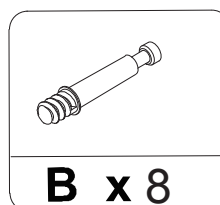
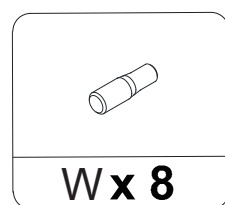
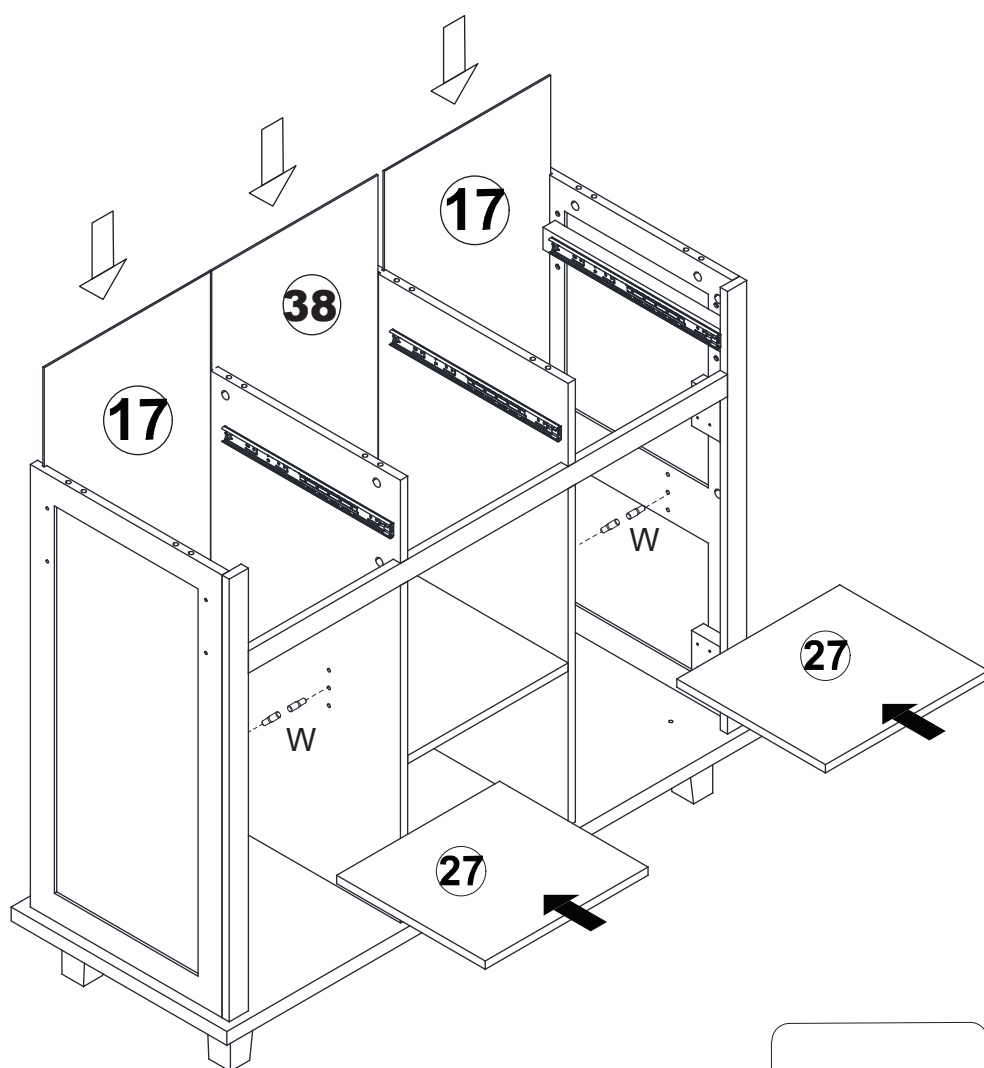
step 10



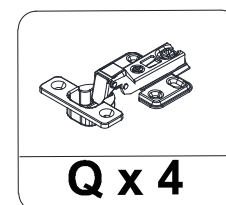
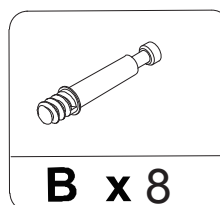
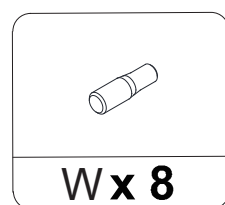
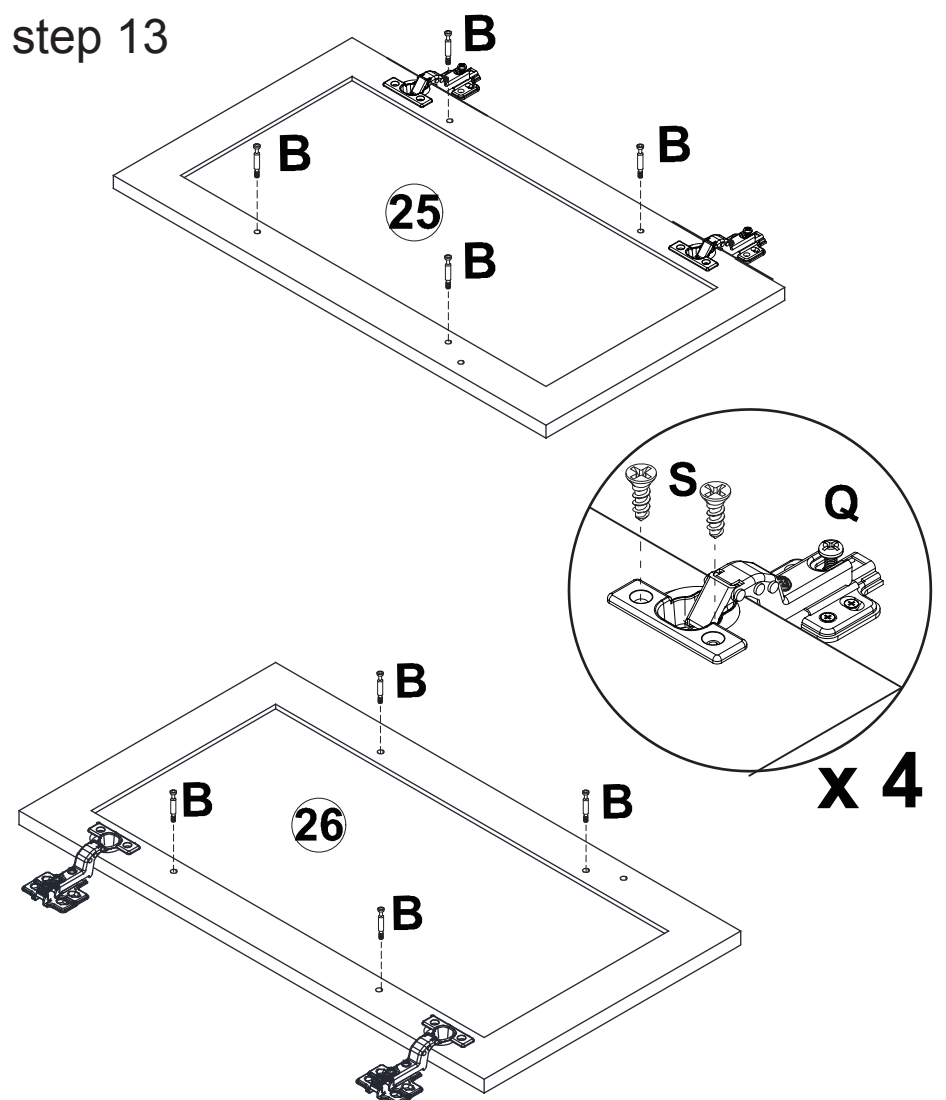
step 11



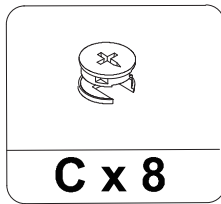
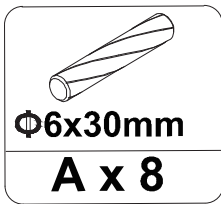
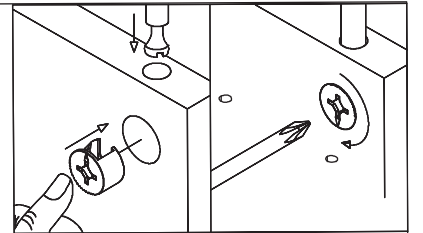
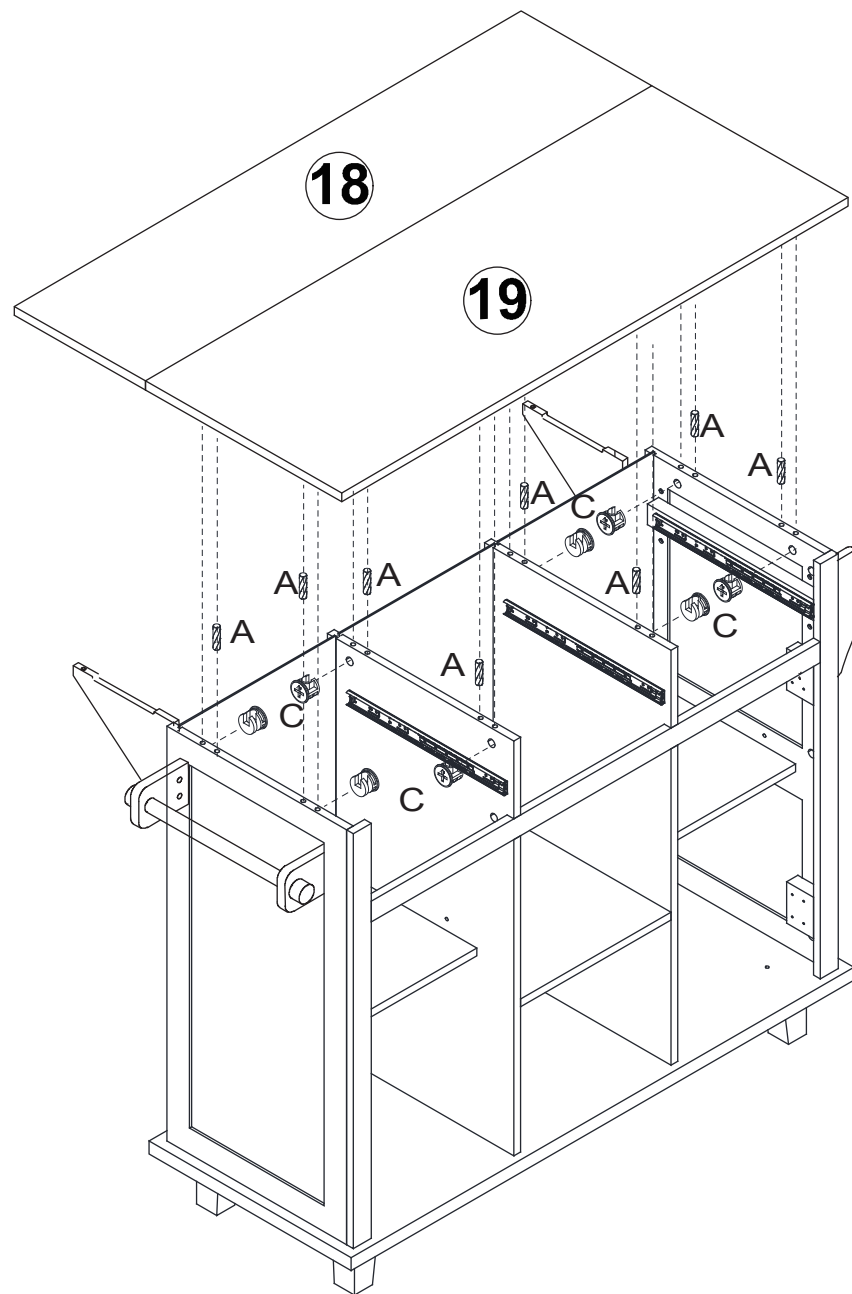
step 12



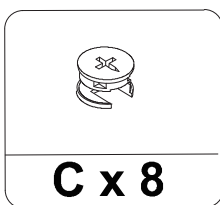
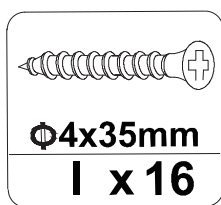
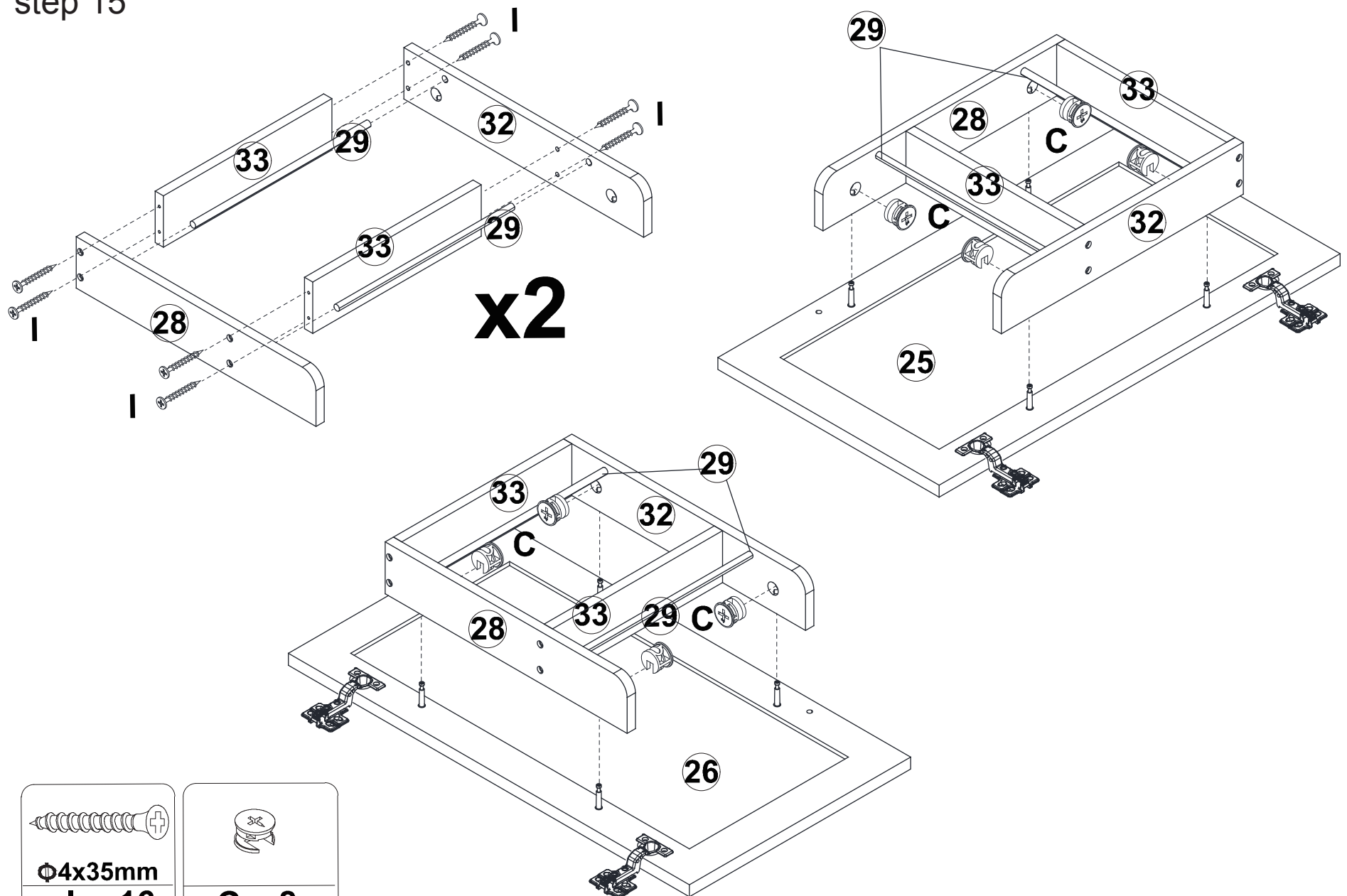
step 13



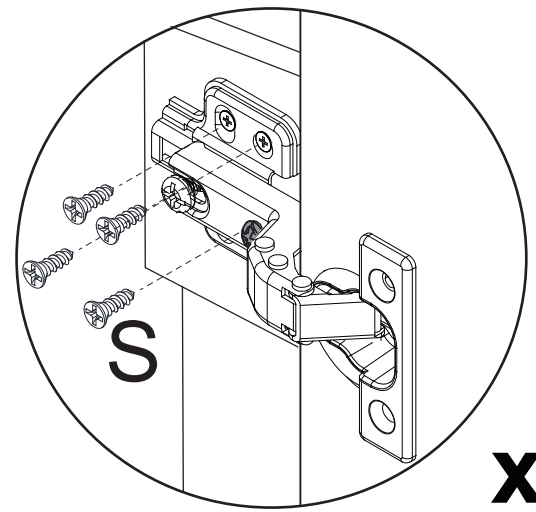
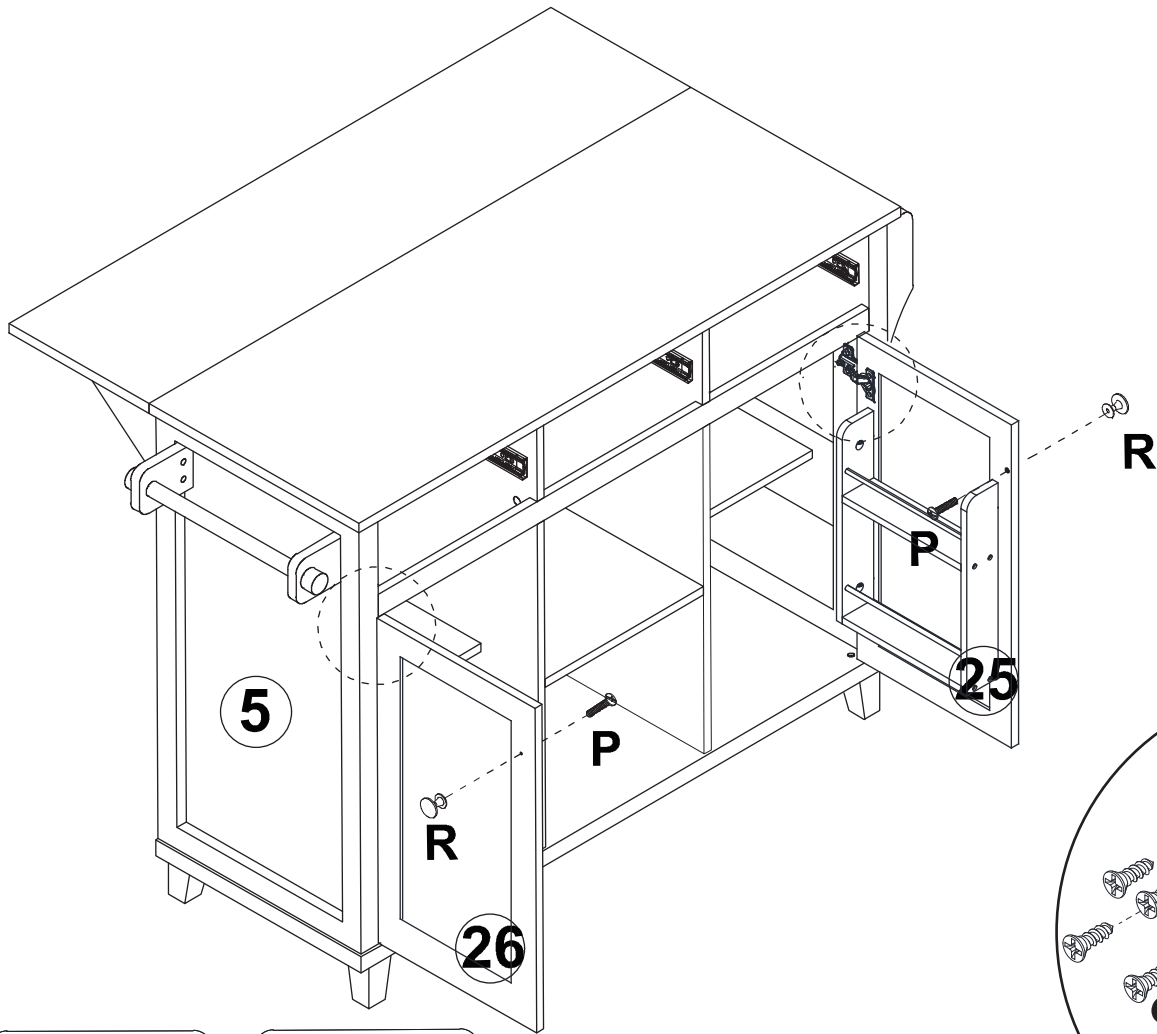
step 14



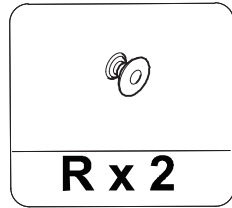
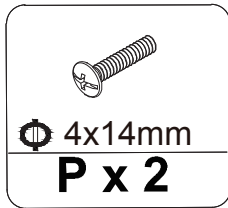
step 15



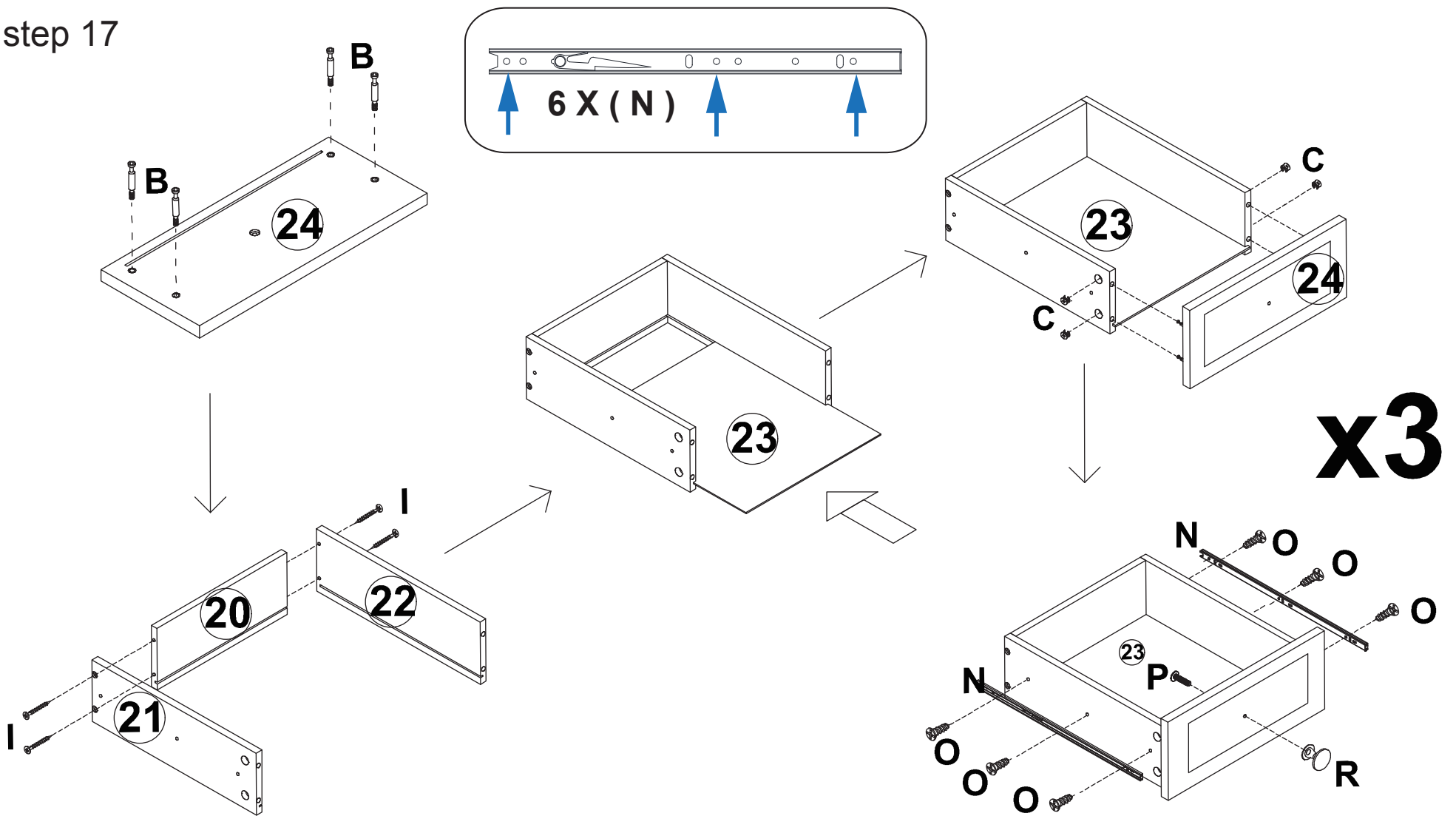
step 16



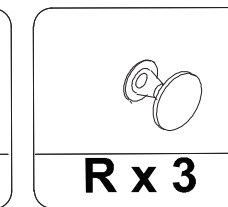
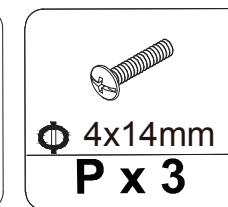
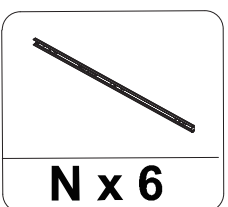
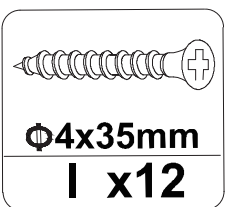
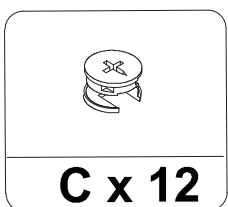
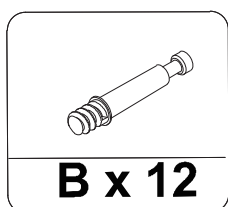
x 4



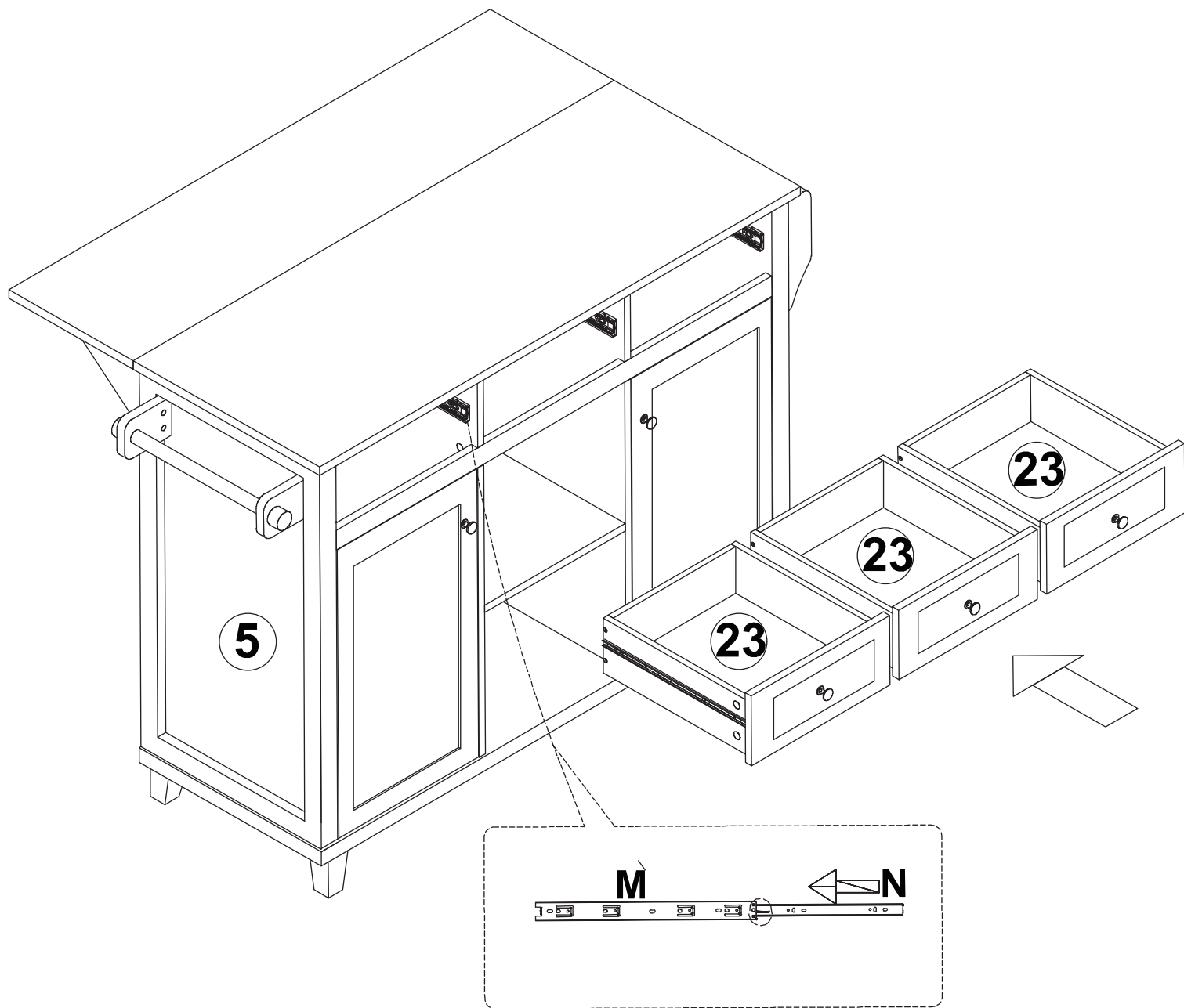
step 17



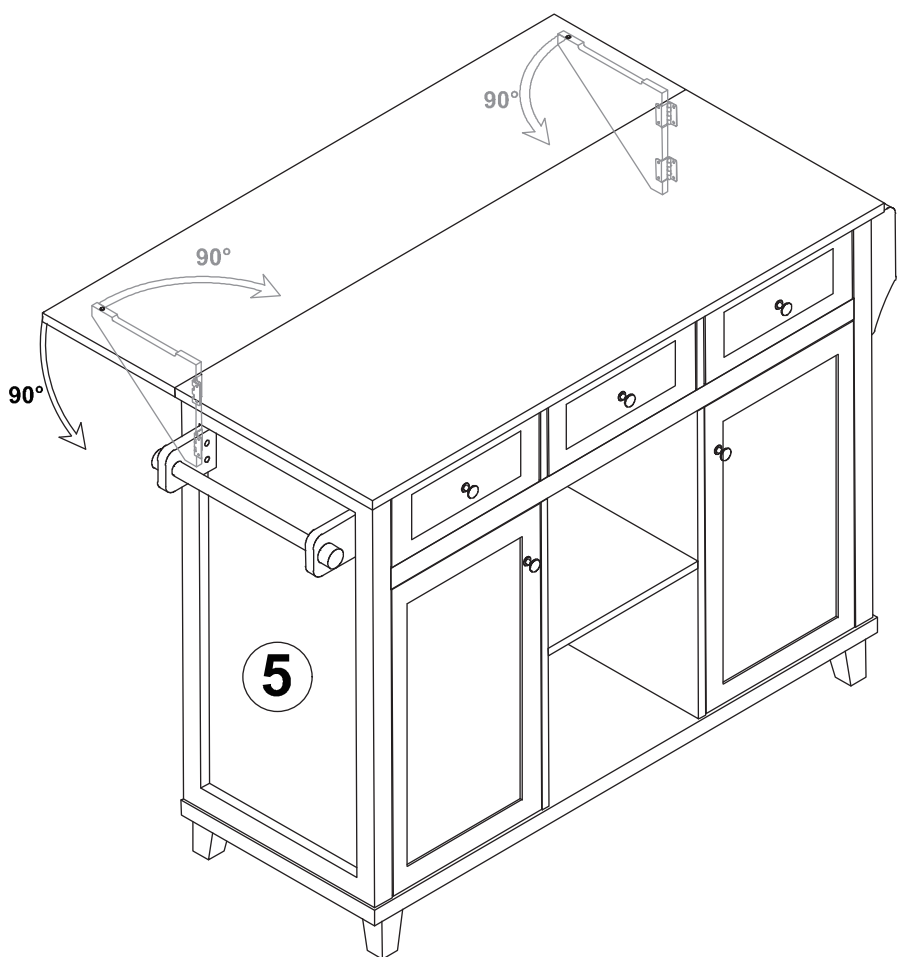
x3



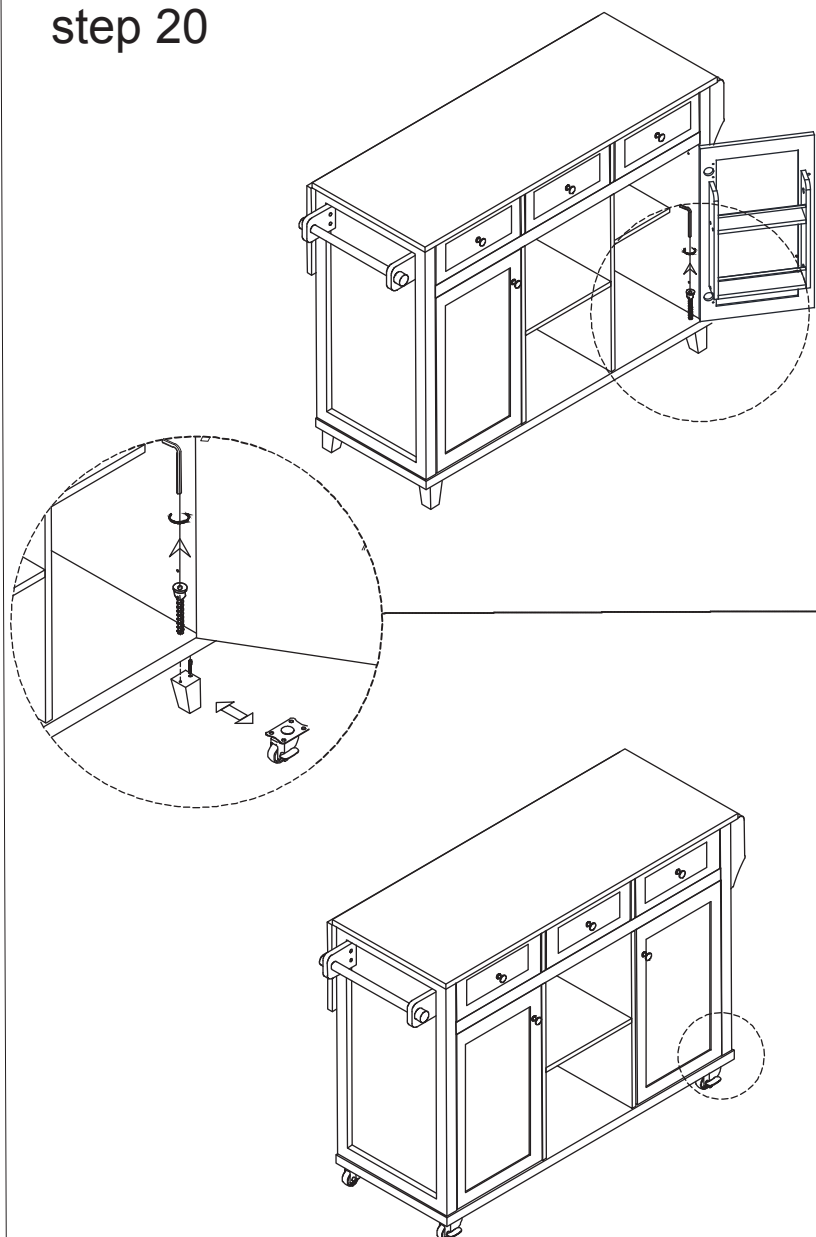
step 18



step 19



step 20



interchangeable