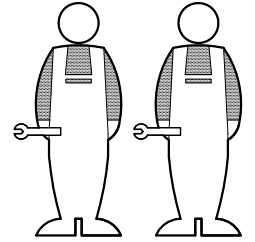
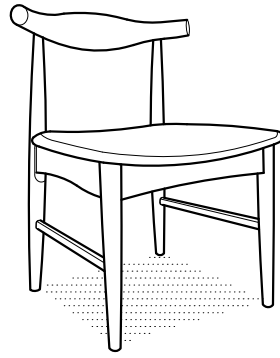
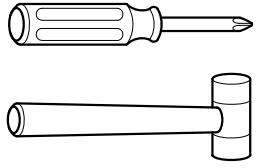


ASSEMBLY INSTRUCTIONS

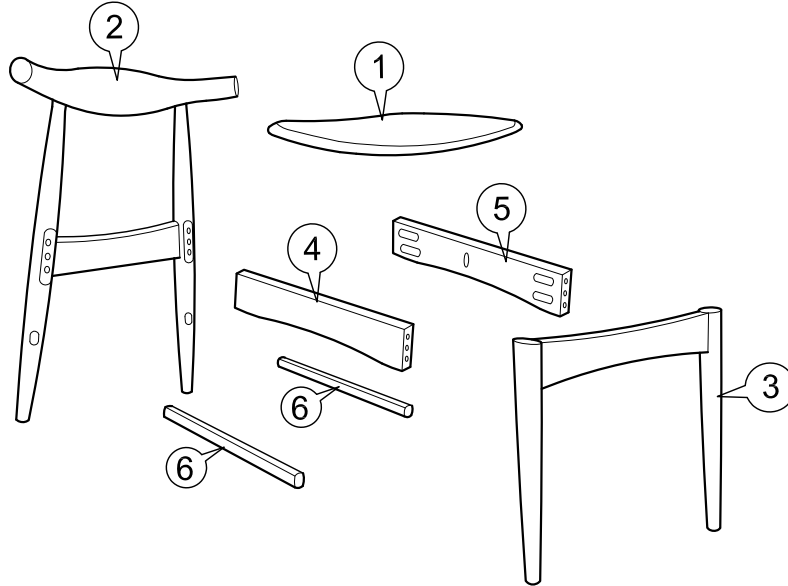
DINING CHAIR



Not Provided

2 Persons

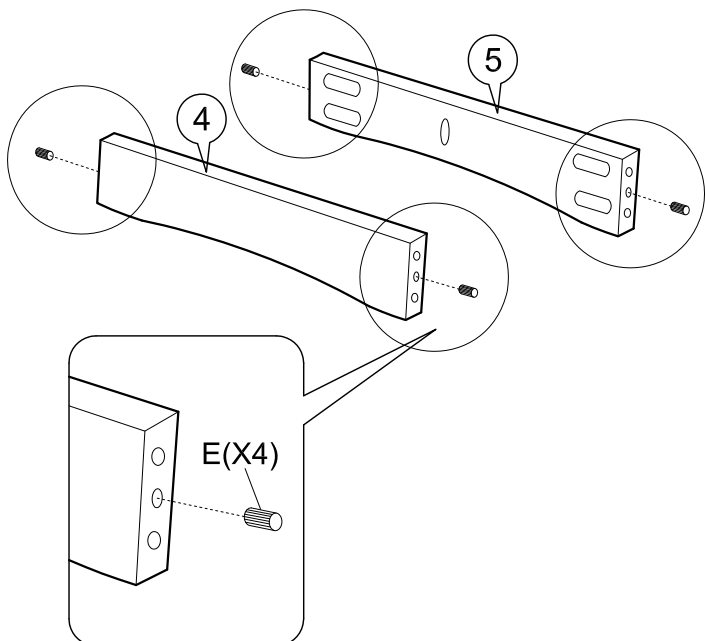
Part List :



Hardware List

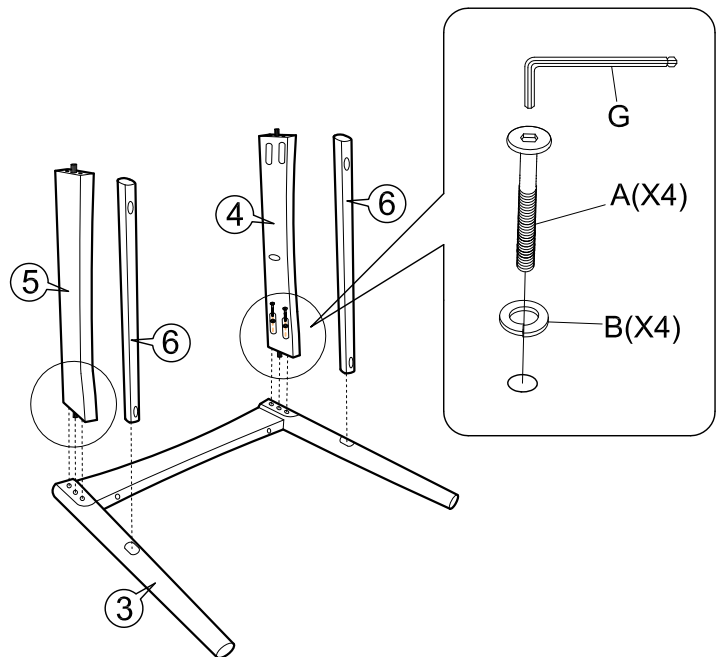
A	M6 x 50mm = 16	B	5/16" = 16	C	M4 x 38mm = 8	D	M4 x 32mm = 12
E	M8 x 30mm = 8	F	= 8	G	M4 x 110mm = 1		

Step 1



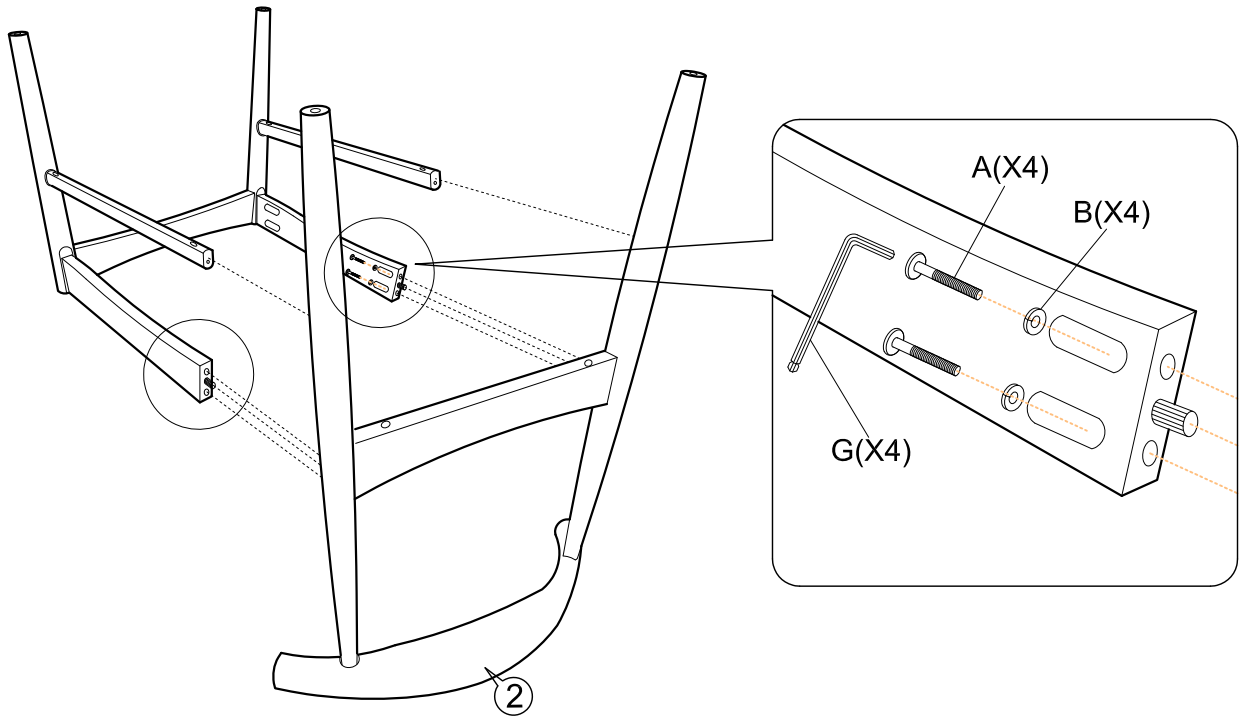
(X2)

Step 2



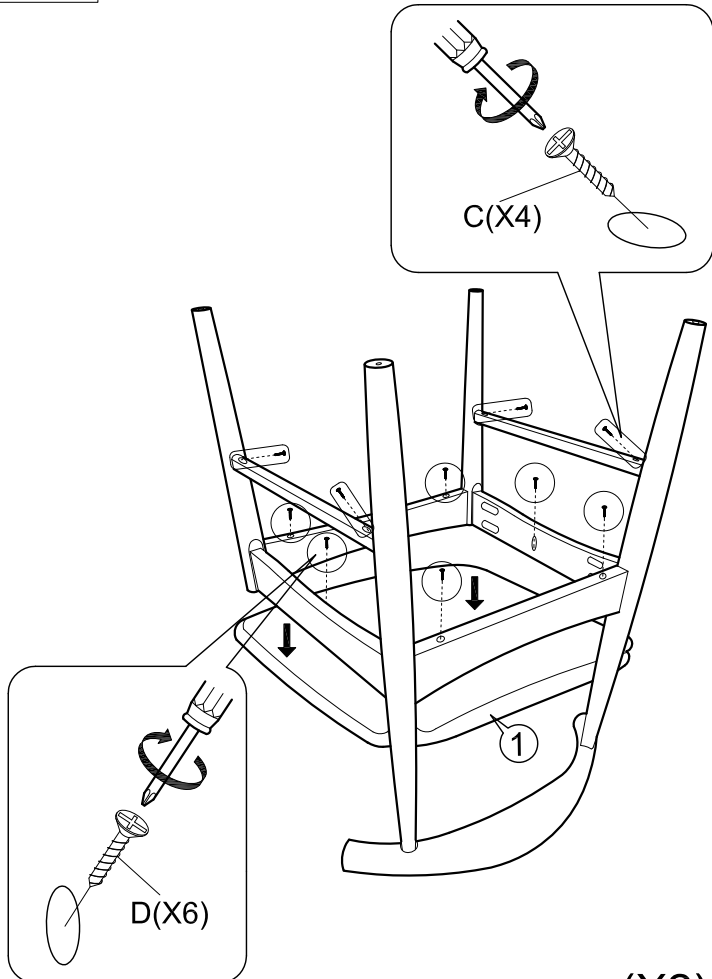
(X2)

Step 3



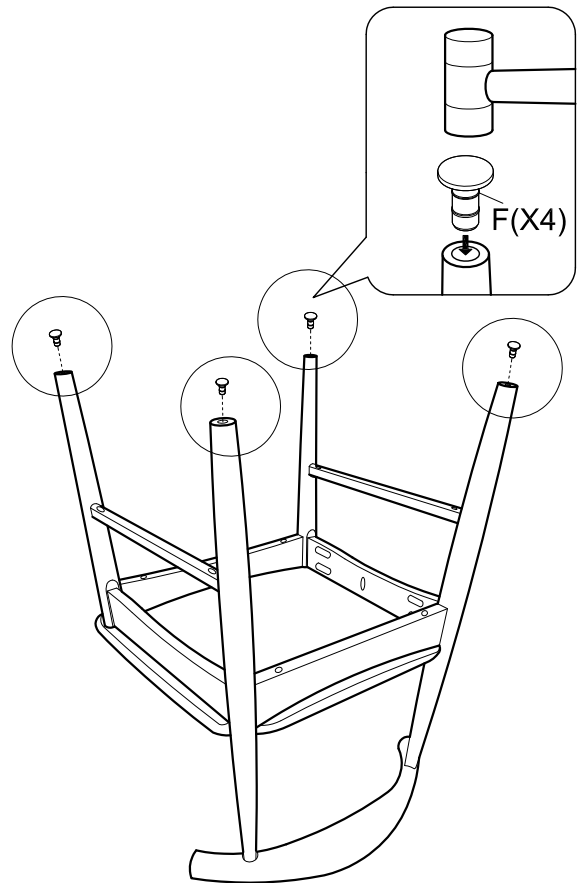
(X2)

Step 4



(X2)

Step 5



(X2)