

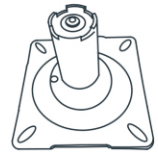
PARTS LIST



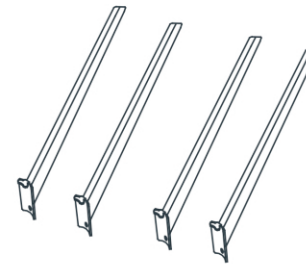
A*1



B*1



C*4



NOTE:

This brochure contains IMPORTANT safety info. Please read and keep for future reference.

HARDWARE LIST

D*4



E*1



F*4



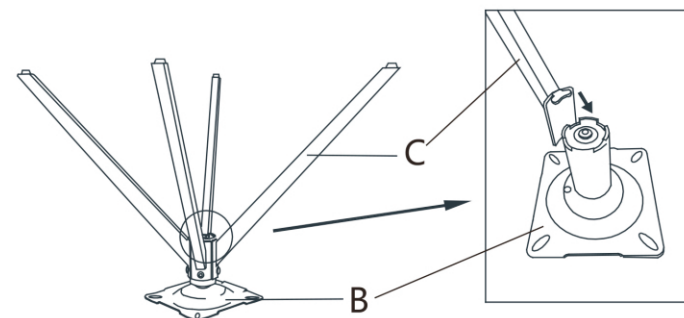
G*4



ASSEMBLY INSTRUCTIONS

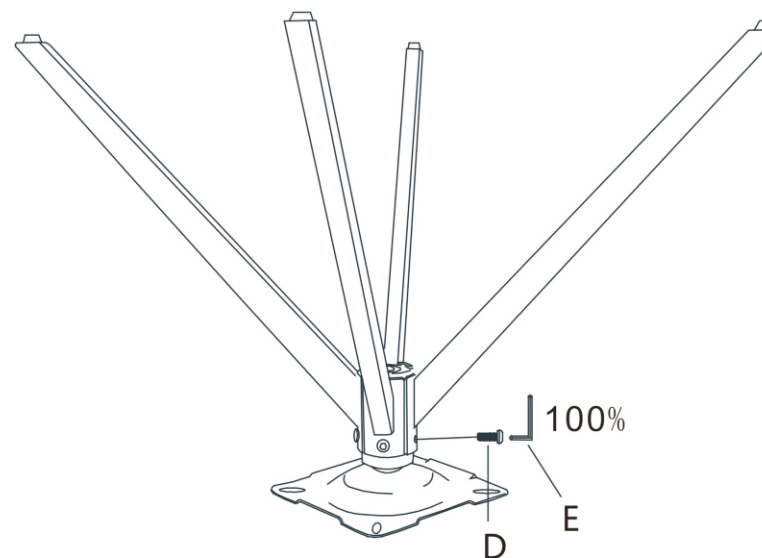
STEP:1

Install the chair legs (C) on the tray (B) and install the 4 chair legs in sequence as shown in the figure



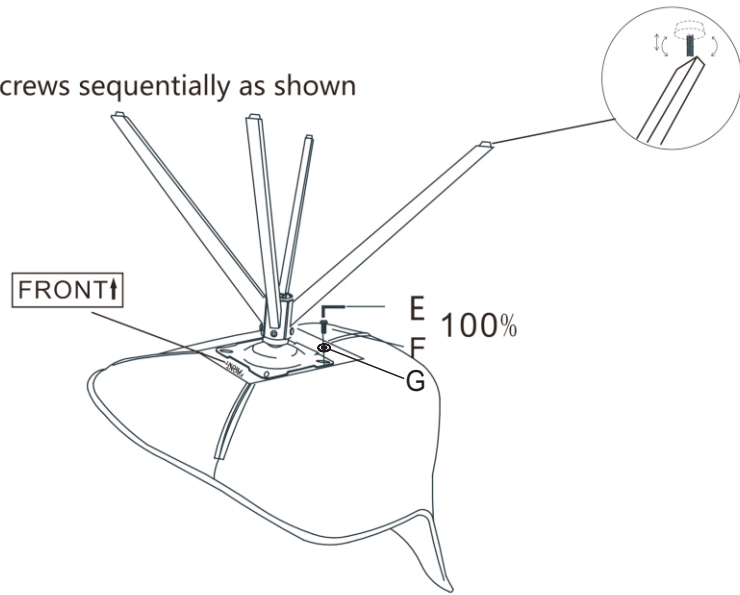
STEP:2

Install the screws sequentially as shown



STEP:3

Install the screws sequentially as shown



STEP:4

Assembly completed

