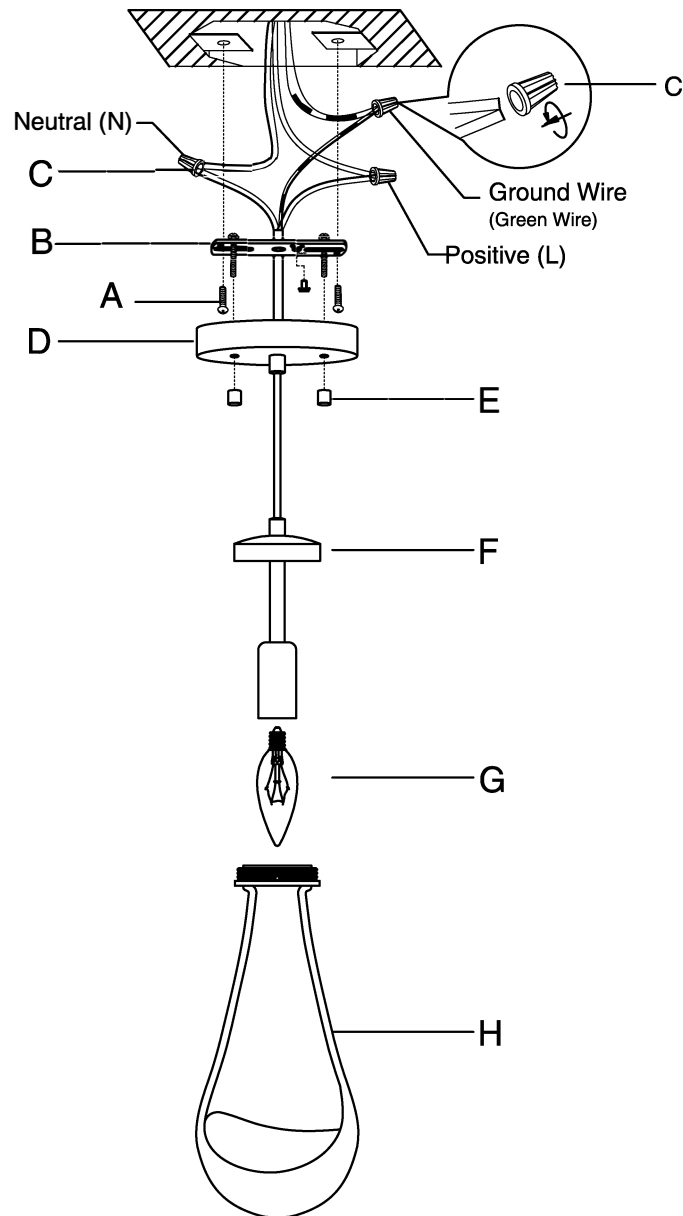


# Installation & Assembly



1:Secure mounting plate (B) to the junction box using screw (A).

2:Connect the main wires to the fixture wires using twist-on connector (C).

3:Fasten ceiling canopy (D) to mounting plate (B) with decorative cap (E).

4:Install bulb (G) (Bulb not included).

5:Screw the droplet-shaped cover (H) onto fixture body (F).