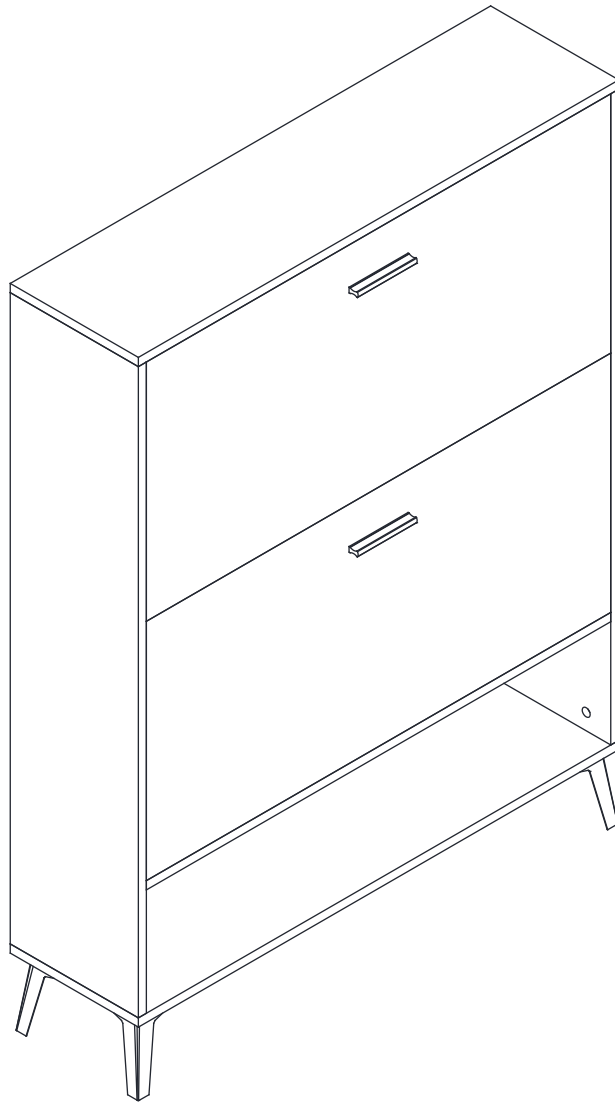


Assembly Instructions



Dimensions (W * D * H)

90 * 24 * 118CM

35.5 * 9.5 * 46.5 INCH

Important

Please read through instruction carefully
Before assembly and keep for future
reference.

EN

Thank you for purchase on our products, please contact us if you have difficulty with assembly or need replacement parts. 24-hour customer service will be available to help you at any time.

You can contact the platform's email address and please include your username or order ID so that we can better assist you.

WARNING

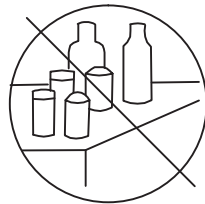
Serious or fatal injury may occur from unexpected assembly or use.

1. During the assembly process, keep all parts away from babies or children.
2. Always securely fix this product to the wall. Make sure the wall area to be drilled is free from hidden electrical wires, water and gas pipes.
3. Use of tip-over restraints may only reduce, but not eliminate the risk of tip over
4. Unless specially designed to accommodate, do not set heavy objects on top of this product.
5. Place the heaviest items on the lowest shelf.
6. Never allow children to climb or bang on drawers, doors or shelves.

Important Tips and Maintenance



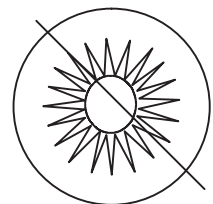
1. Keep children and animals away from working area as smaller parts may cause choking if swallowed.



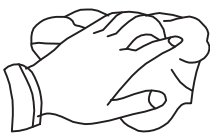
2. Never place liquids or anything damp upon furniture as it will mark. Ensure a coaster or running is beneath.



3. Never use ammonia based cleaning products as it will damage the finish.



4. To avoid fading, keep furniture out of direct sunlight.



5. Use a soft cloth (dry cloth) when wiping or cleaning surfaces.



6. Two person are required.



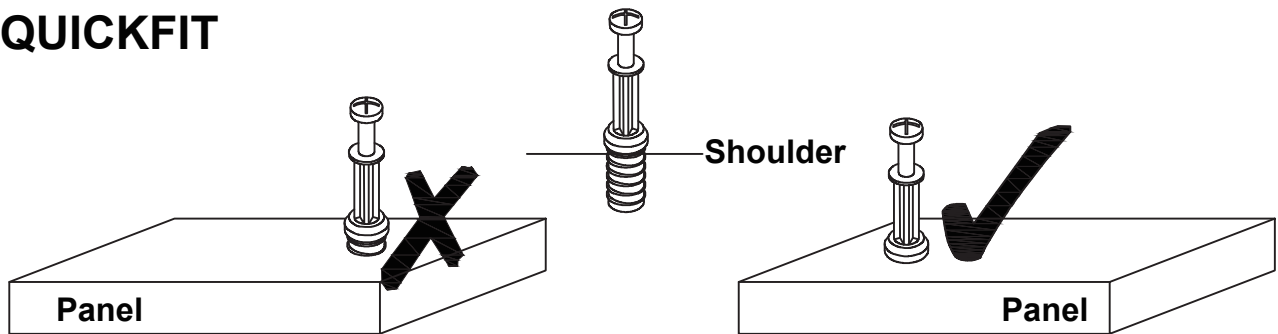
7. Lay a soft matt down to protect the furniture piece before and during assembly.

Before Assembly

Tips Before Your Start:

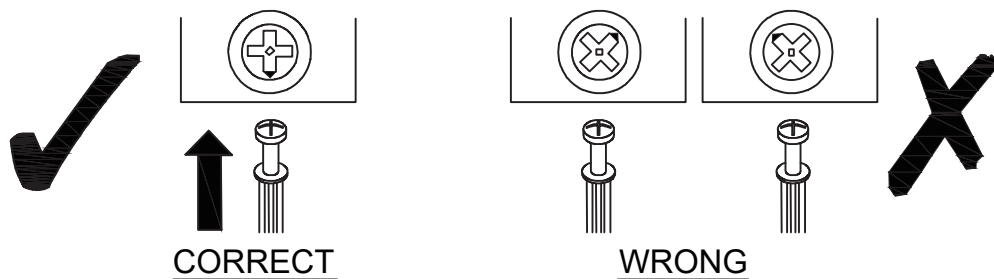
- Remove all wrapping material, including staples & packing straps before you start to assemble.
- DO NOT tighten all screws and bolts until completely assembled.
- Keep all hardware parts out of reach of children

QUICKFIT



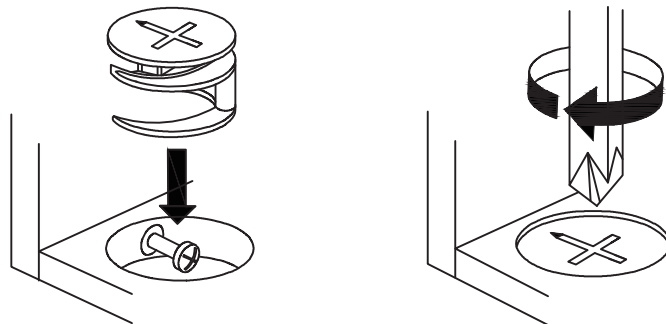
Tighten quickfit until shoulder is flush with panel. Do not overtighten or undertighten.

CAM LOCK



When fitting cam lock, ensure starting position is correct before you insert connecting quickfit.





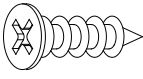
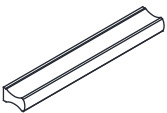
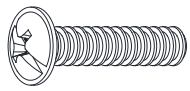
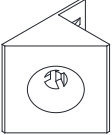
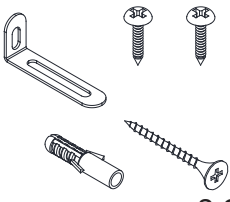
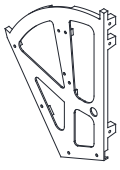
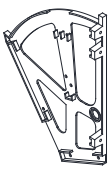
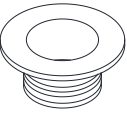
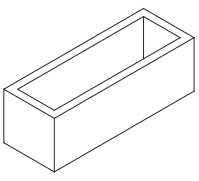
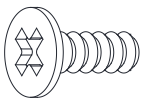
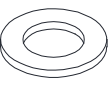
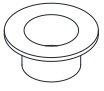
Quickfit head should be in the centre of the cam lock when the two panels are joined.
Cam lock should be inserted before quickfit.



Turn cam lock clockwise to tighten.

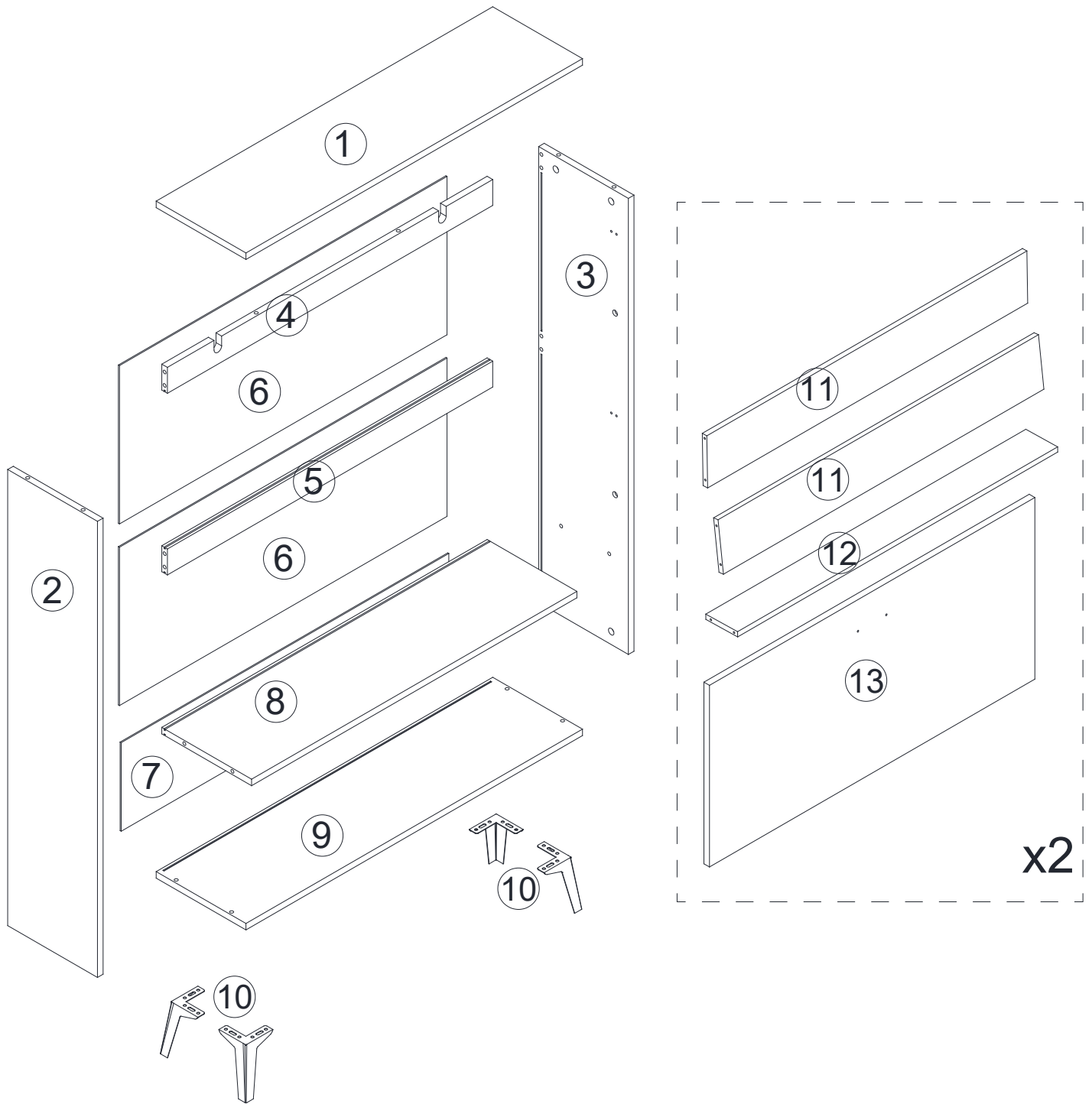
Hardware List

Please check you have all the fittings part or tools are listed in below.

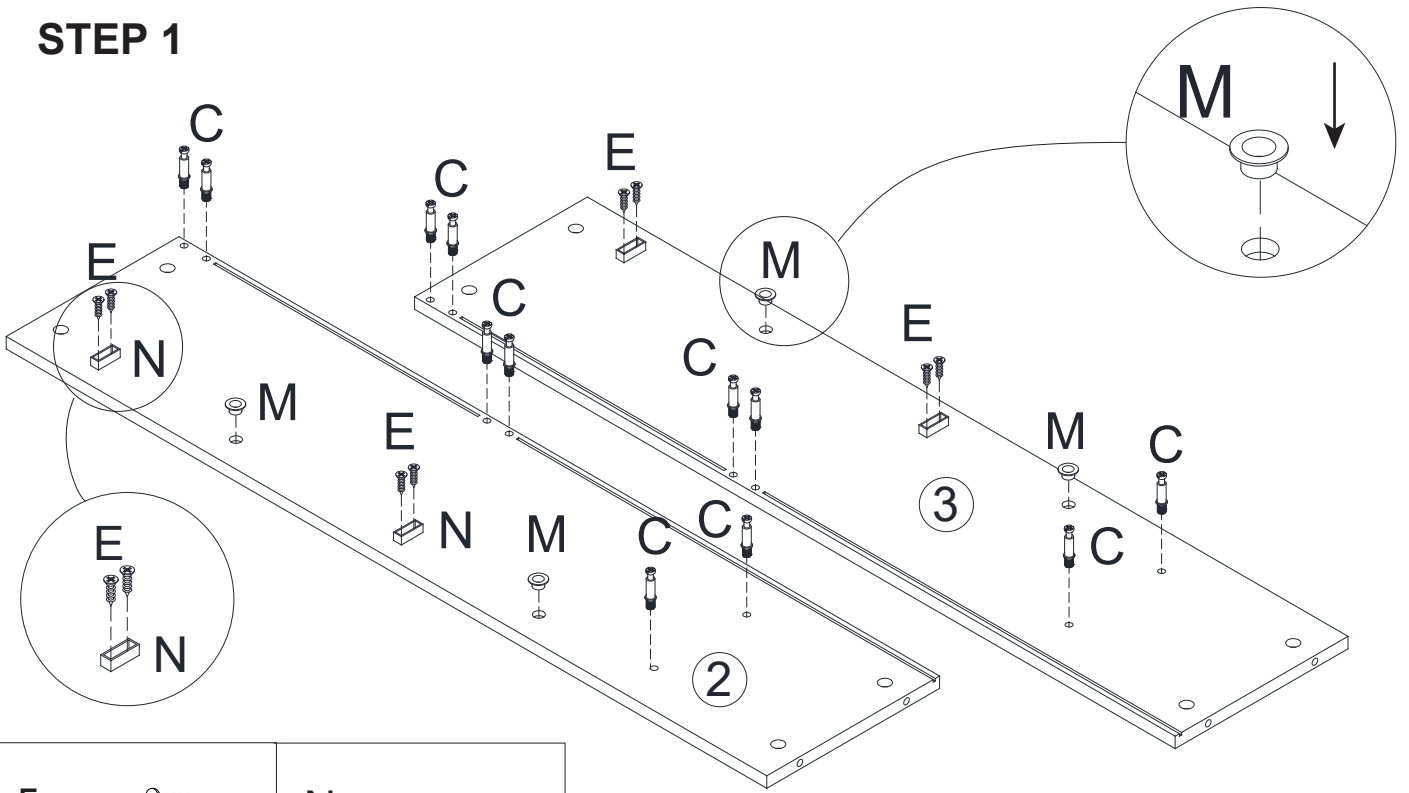
<p>A</p>  <p>M5*40mm 8 PCS</p>	<p>B</p>  <p>M5*15mm 8 PCS</p>	<p>C</p>  <p>M5*28mm 14 PCS</p>
<p>D</p>  <p>M5*12 mm 14 PCS</p>	<p>E</p>  <p>M3.5*12mm 74 PCS</p>	<p>F</p>  <p>2 PCS</p>
<p>G</p>  <p>M4*18mm 4 PCS</p>	<p>H</p>  <p>18 PCS</p>	<p>J</p>  <p>2 SETS</p>
<p>K</p>  <p>2 PCS</p>	<p>L</p>  <p>2 PCS</p>	<p>M</p>  <p>4 PCS</p>
<p>N</p>  <p>4 PCS</p>	<p>O</p>  <p>4 PCS</p>	<p>P</p>  <p>16 PCS</p>
<p>Q</p>  <p>4 PCS</p>		


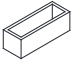
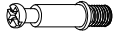

Component Panels & Part List

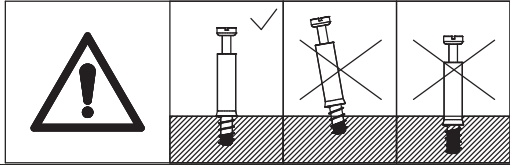
Please check you have all the panels are listed below.



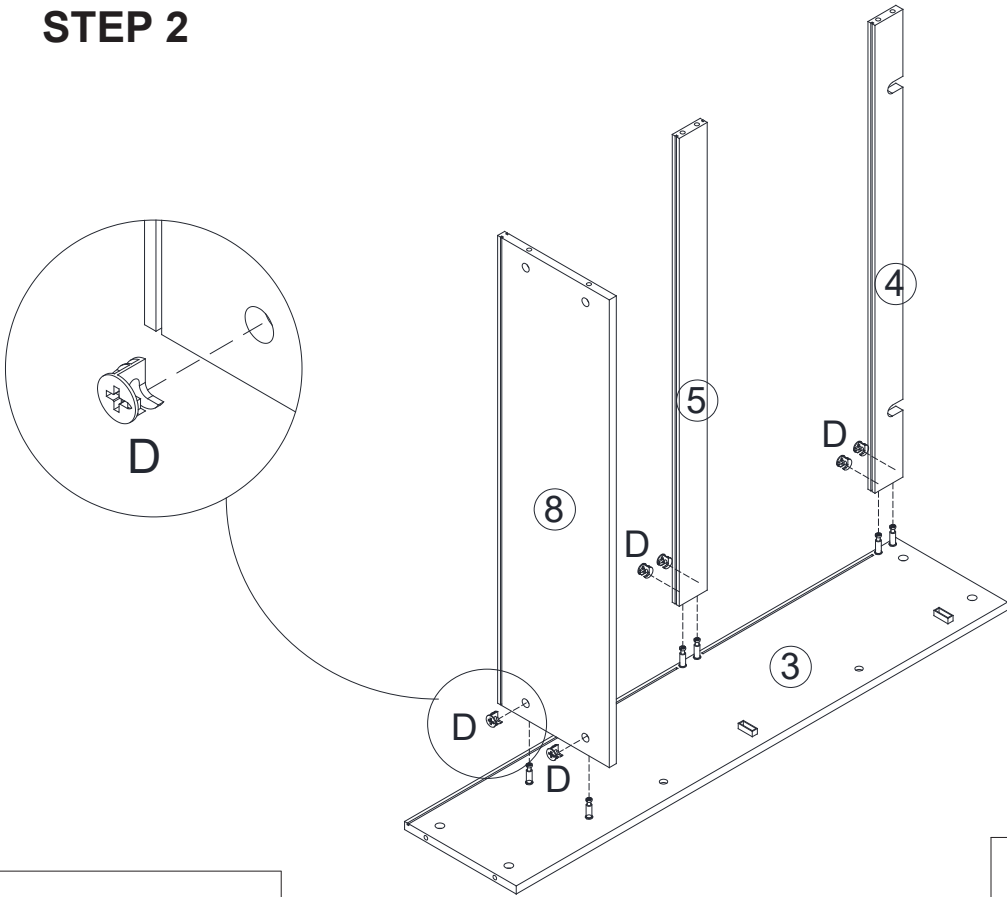
STEP 1



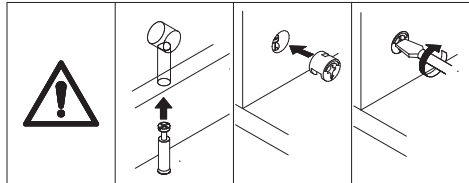
<p>E 8PCS</p> 	<p>N 4PCS</p> 
<p>C 12PCS</p> 	<p>M 4PCS</p> 



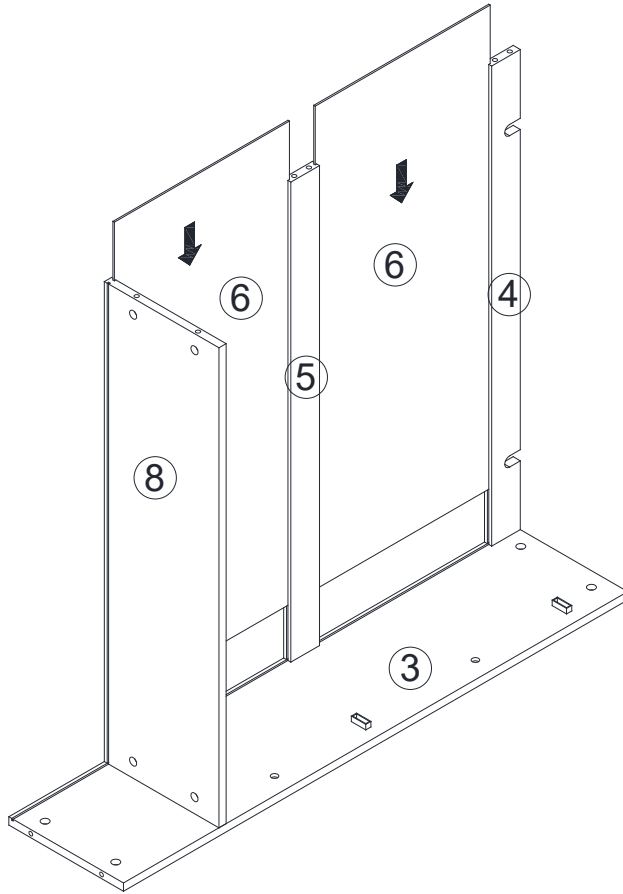
STEP 2



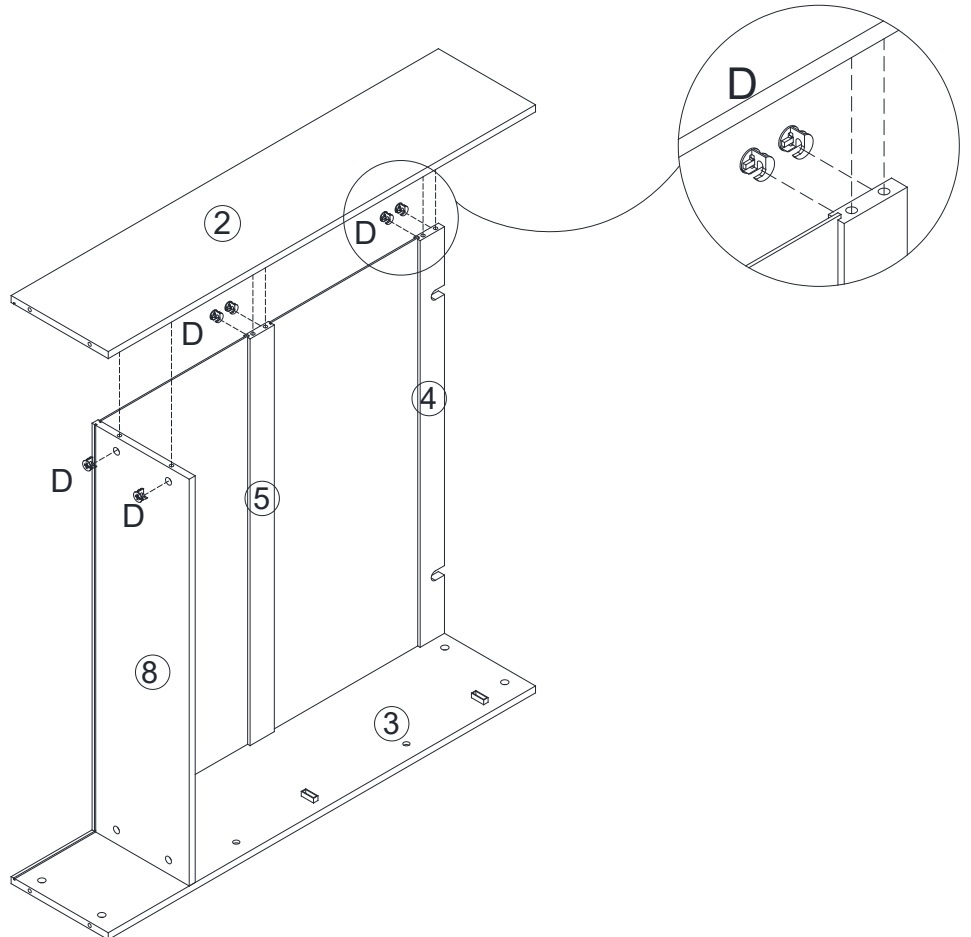
<p>D 6PCS</p> 
--



STEP 3



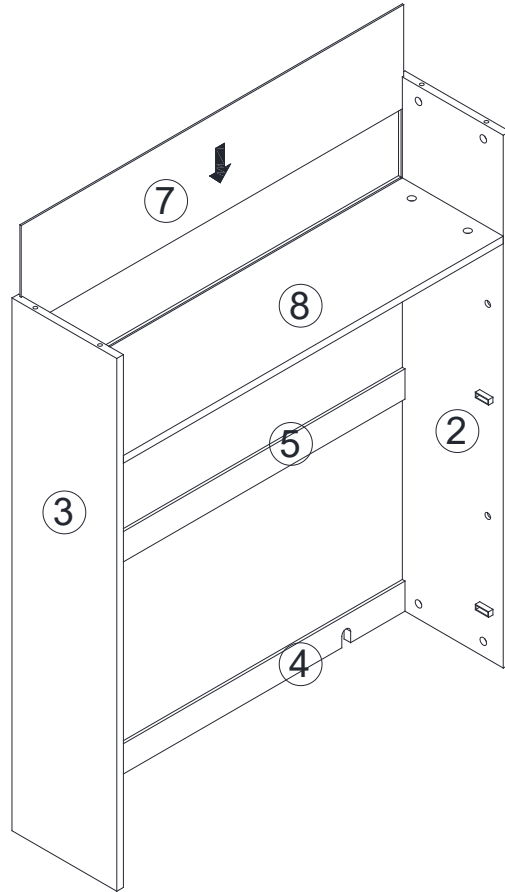
STEP 4



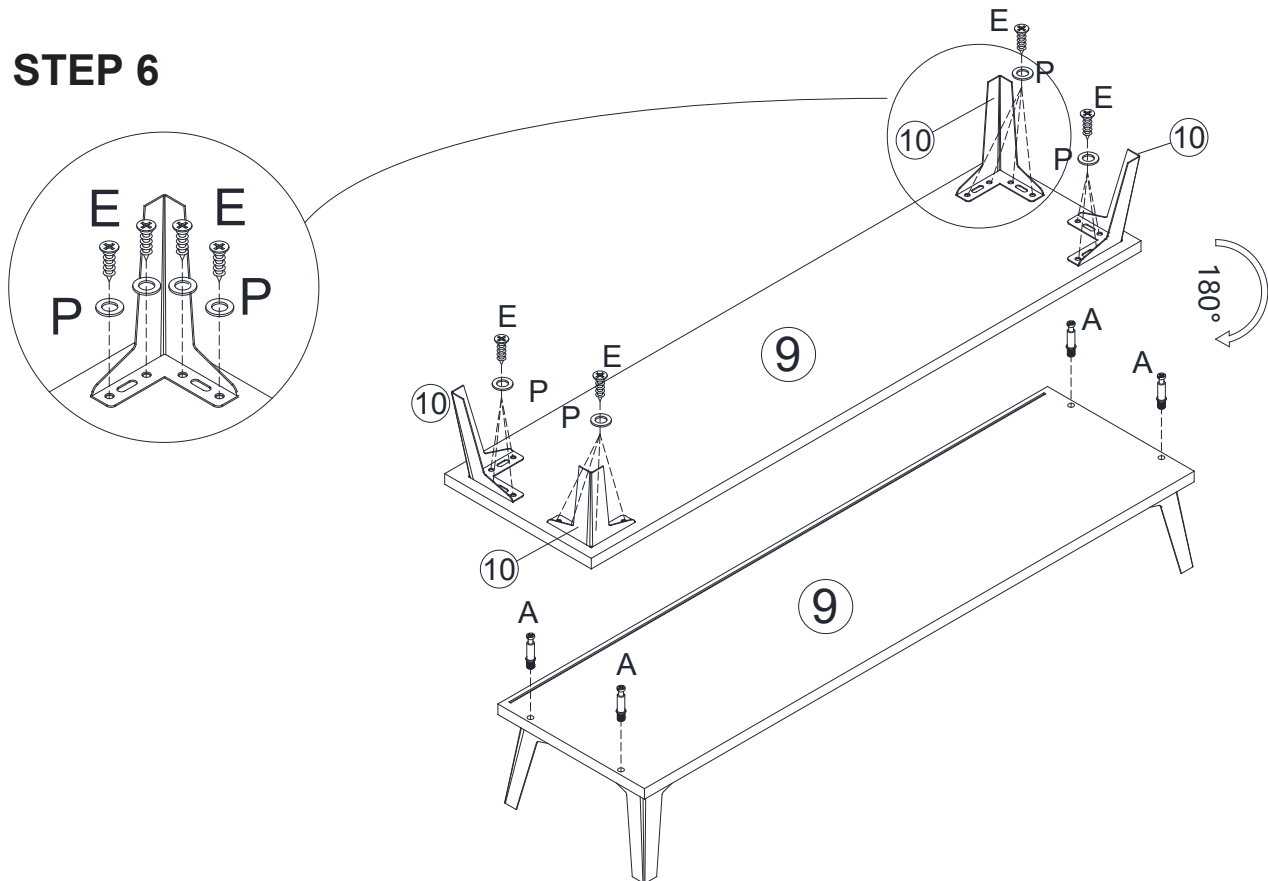
D
6PCS




STEP 5



STEP 6





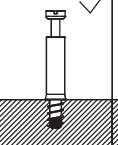
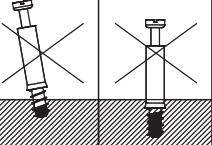
A
4PCS



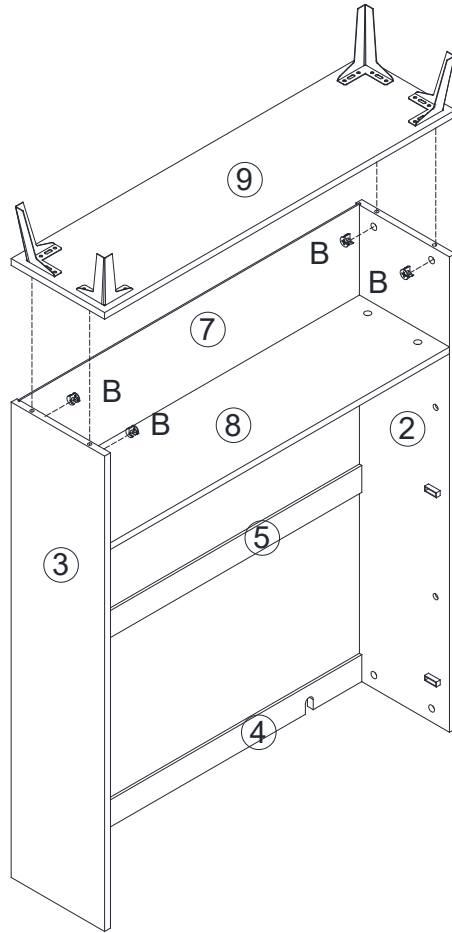
P
16PCS



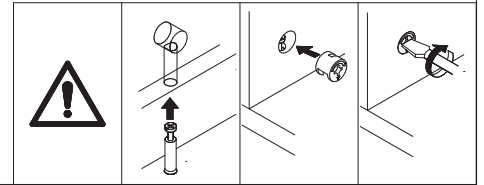
E
16PCS

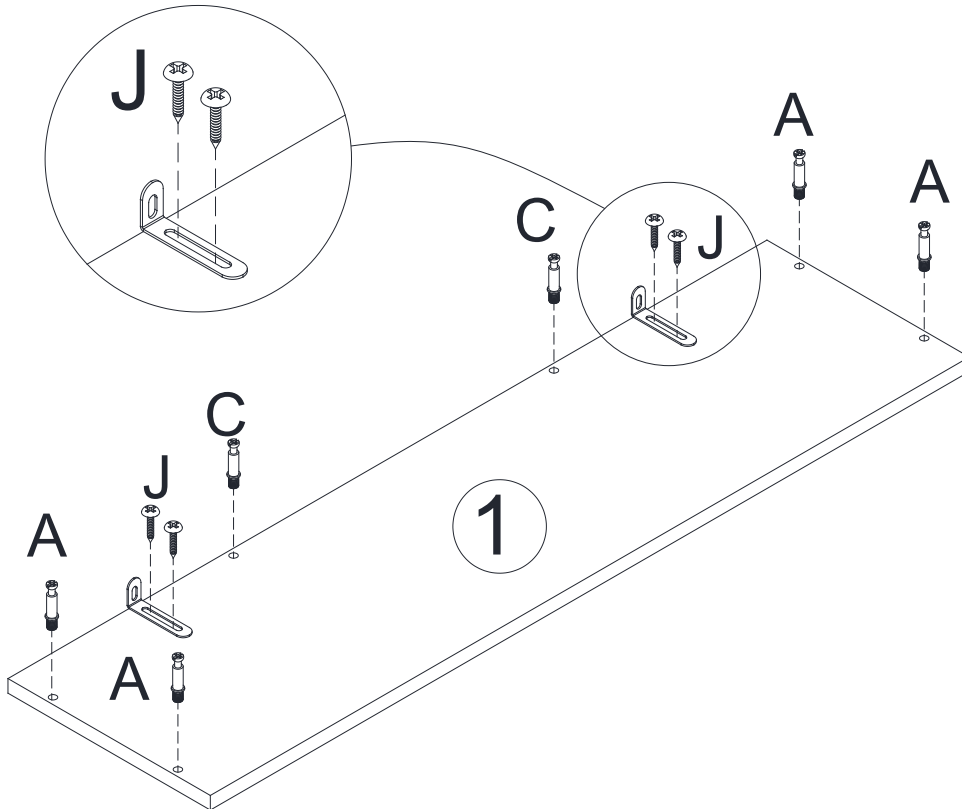
STEP 7



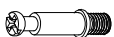
B
4PCS



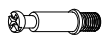
STEP 8



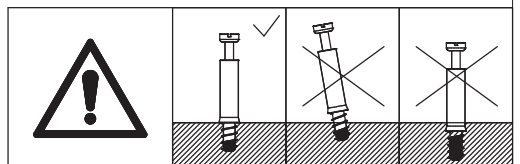
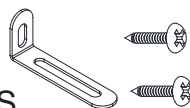
A
4PCS



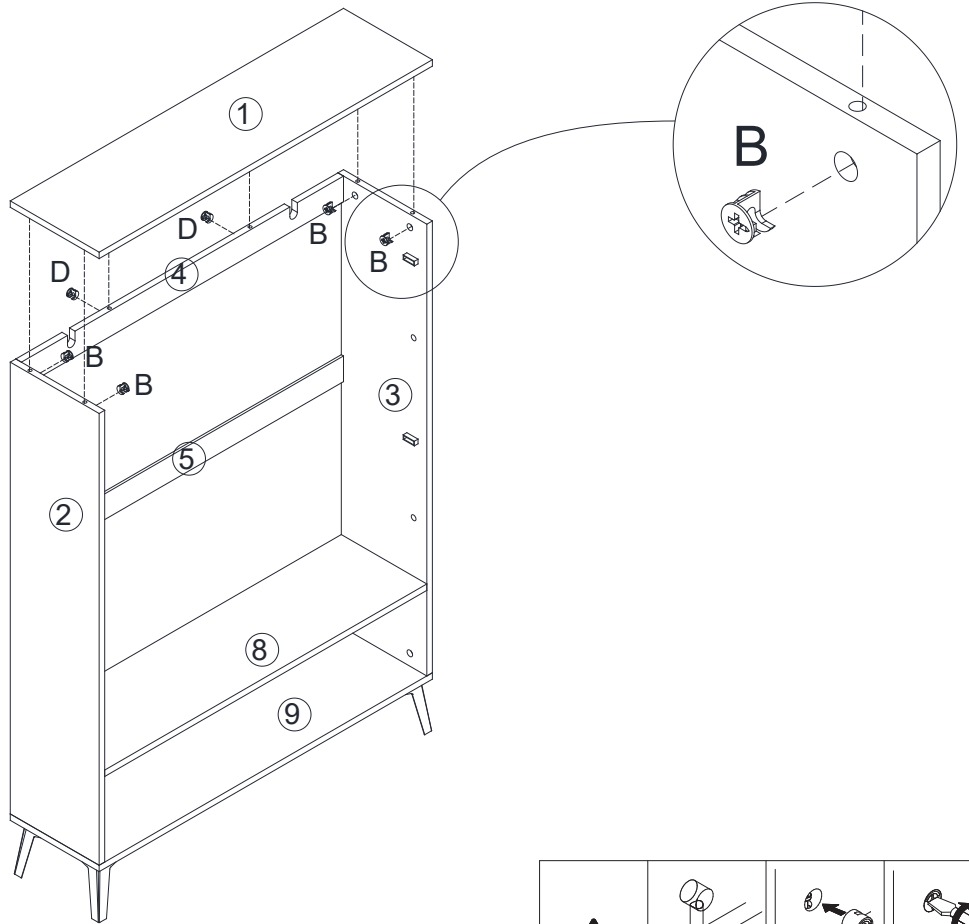
C
2PCS



J
2PCS



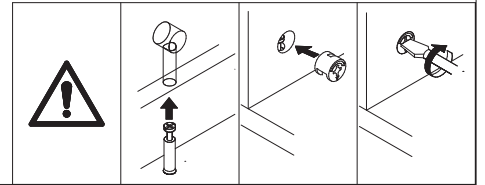
STEP 9



B
4PCS

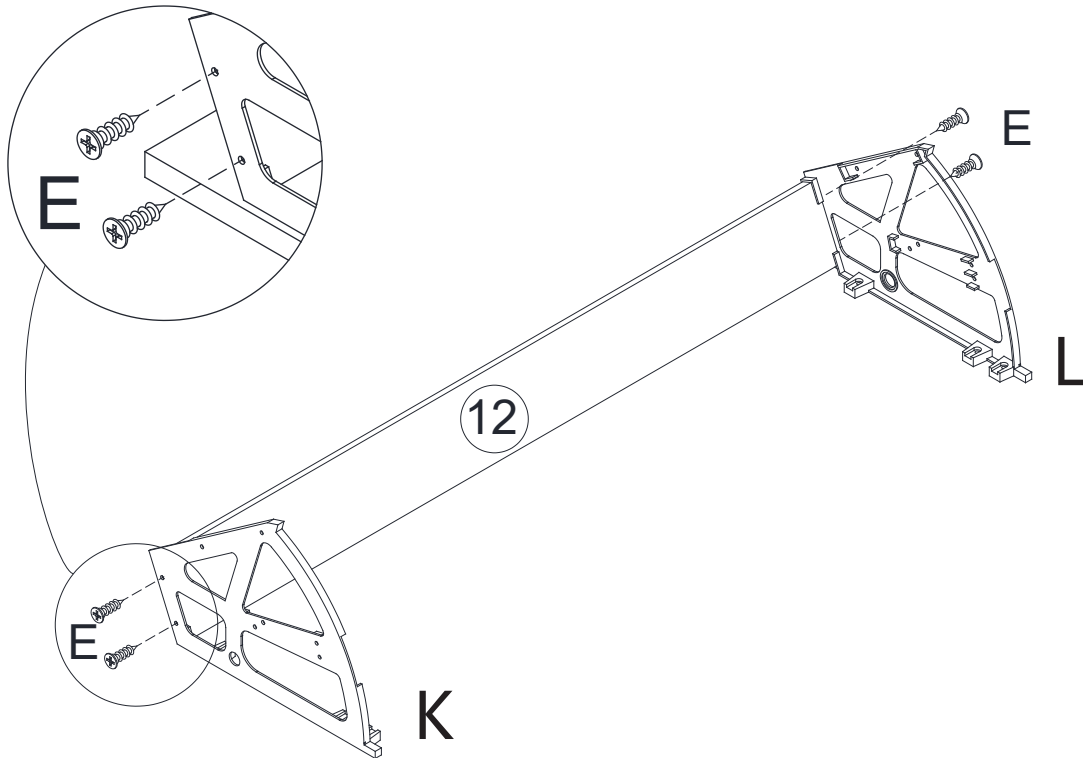


D
2PCS



STEP 10

x2



E
8PCS



K
2PCS

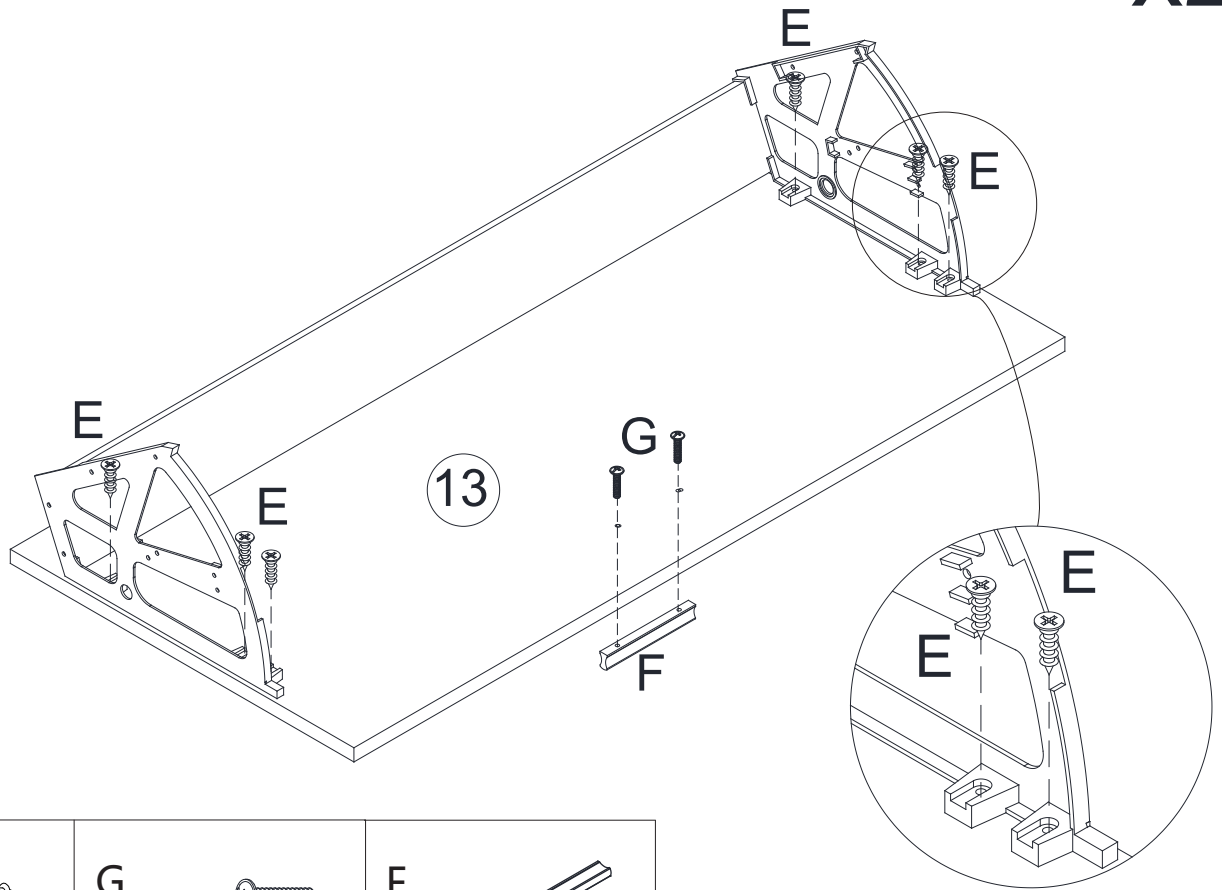


L
2PCS



STEP 11

x2



E
12PCS



G
4PCS

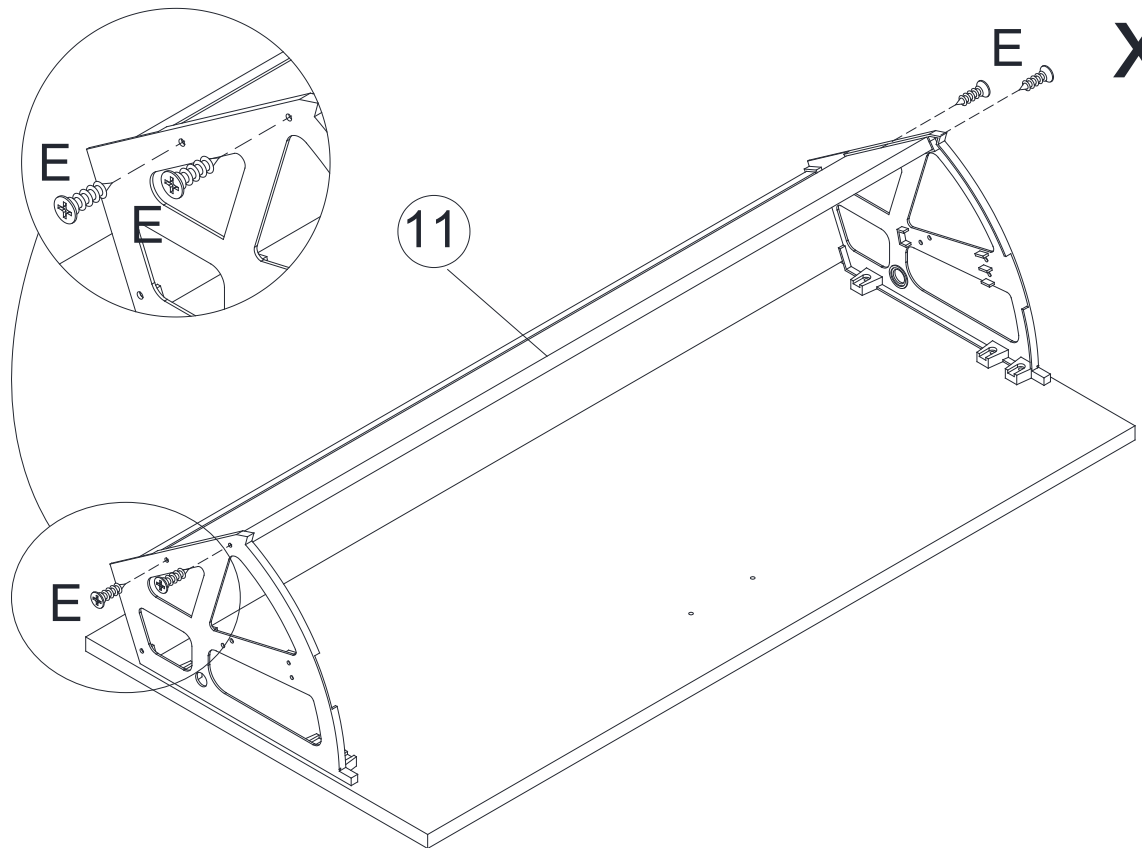


F
2PCS



STEP 12

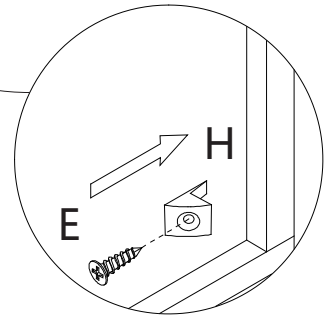
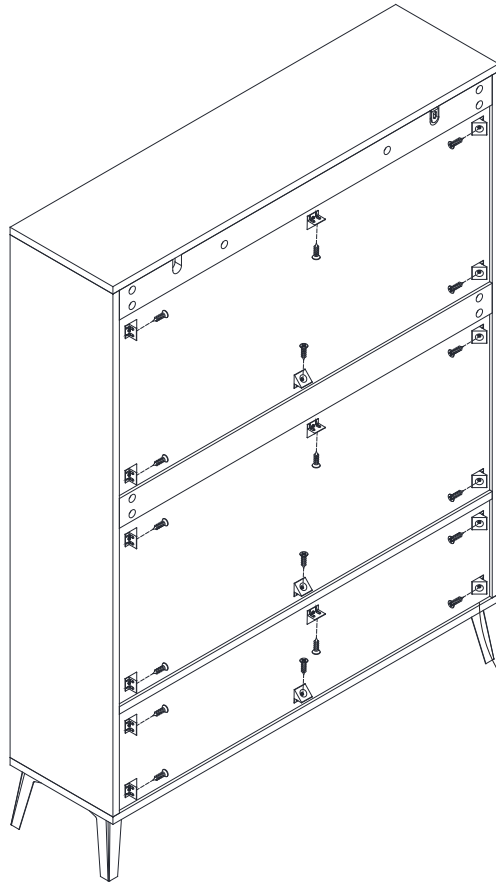
x2



E
8PCS



STEP 13



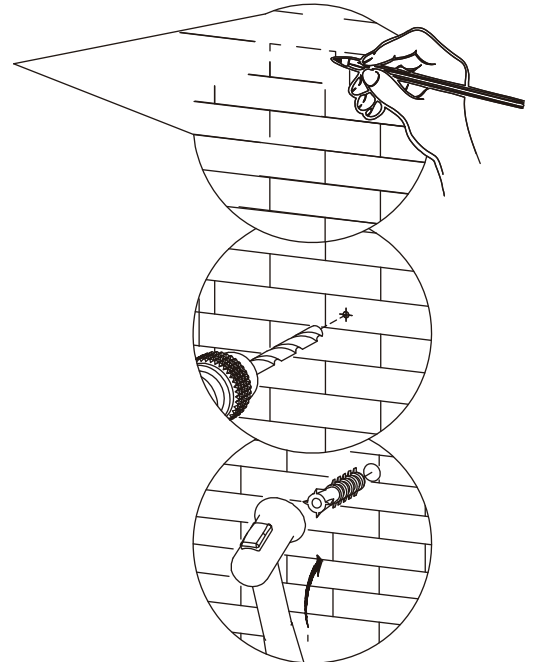
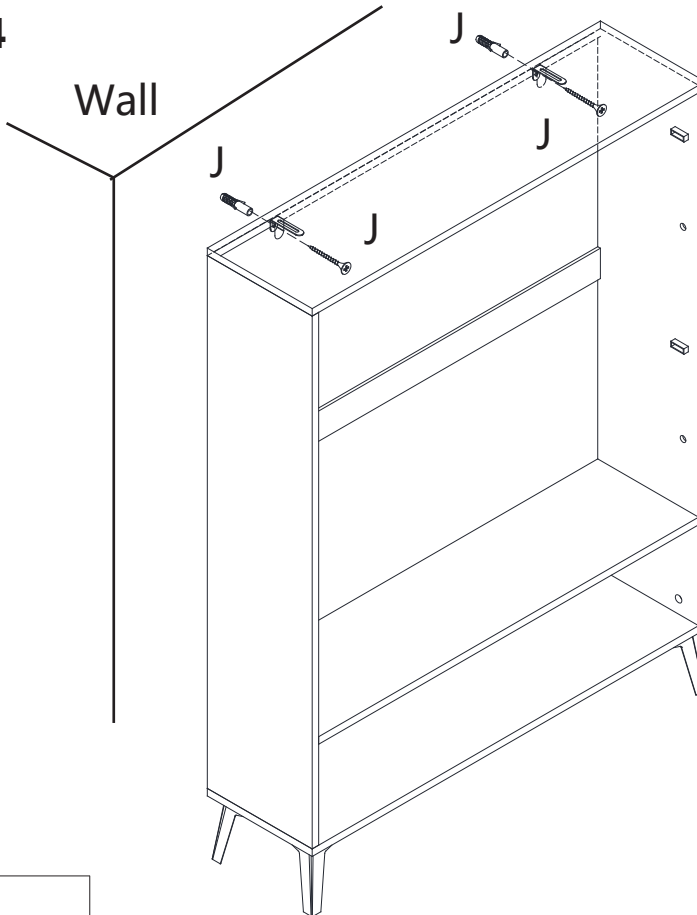
E
18PCS



E
18PCS



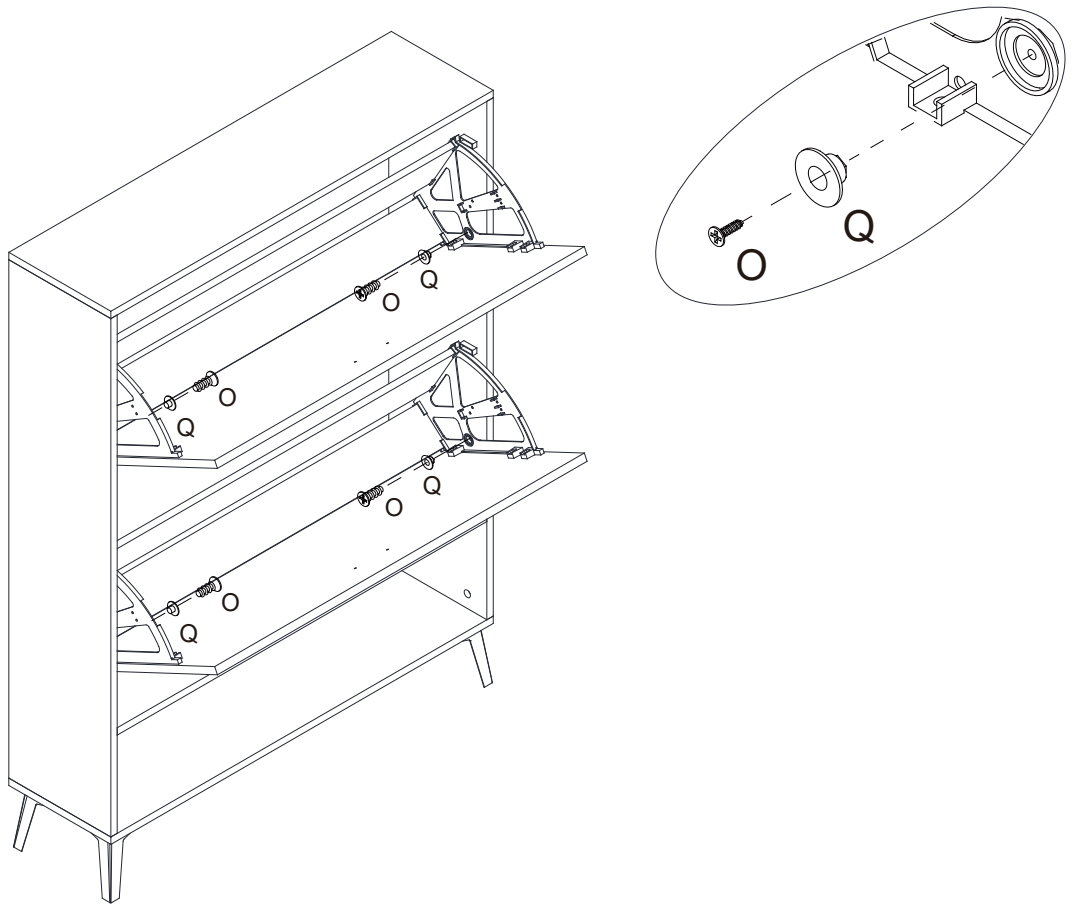
STEP 14



J
2PCS



STEP 15



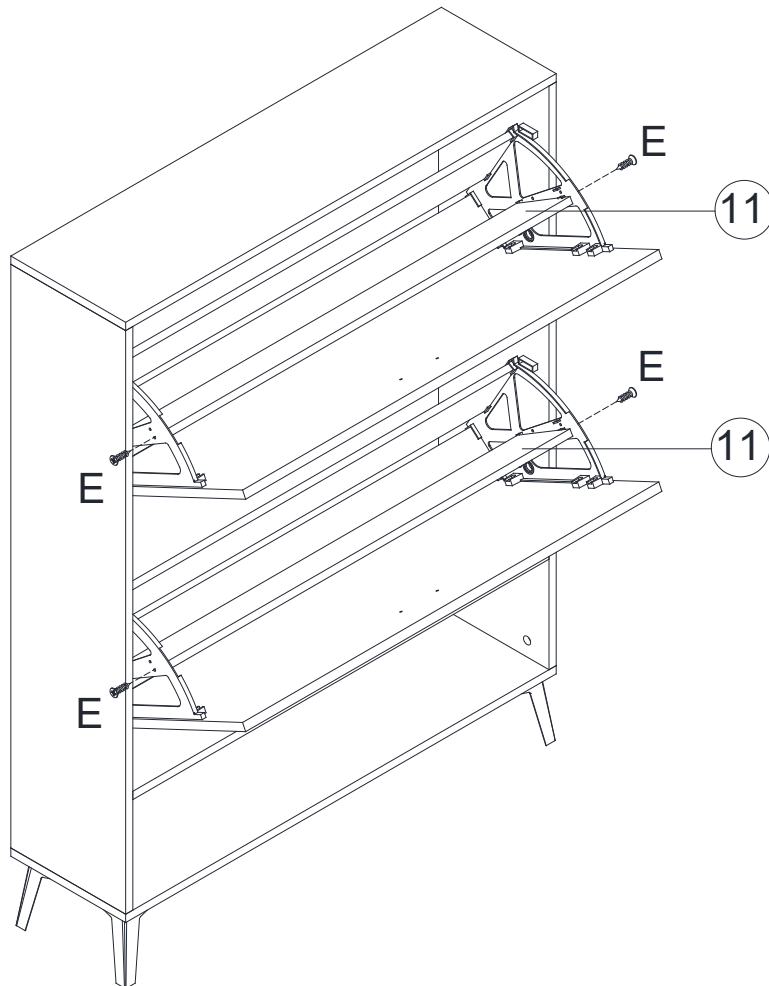
Q
4PCS



O
4PCS



STEP 16



E
4PCS





WARNING



Children have died from furniture tipover. To reduce the risk of furniture tipover:

- **ALWAYS** install tipover restraint provided.
- **NEVER** put a TV on this product.
- **NEVER** allow children to stand, climb or hang on drawers, doors, or shelves.
- **NEVER** open more than one drawer at a time.
- Place heaviest items in the lowest drawers.

