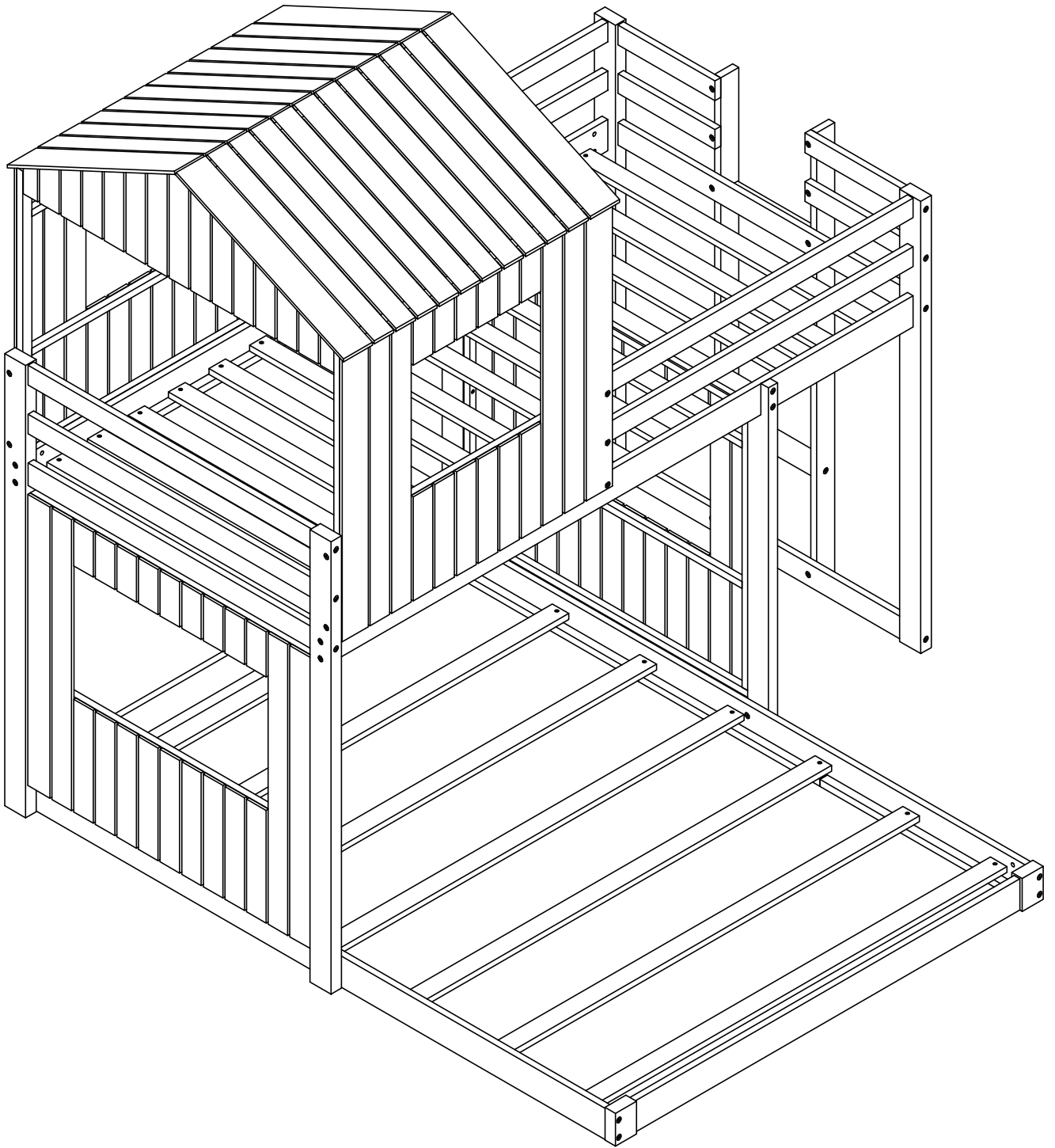


ASSEMBLY INSTRUCTION



! SAFETY WARNINGS !

1. This bed is designed for use only mattress(es) meeting the following specifications on the upper bunk, and lower bunk:

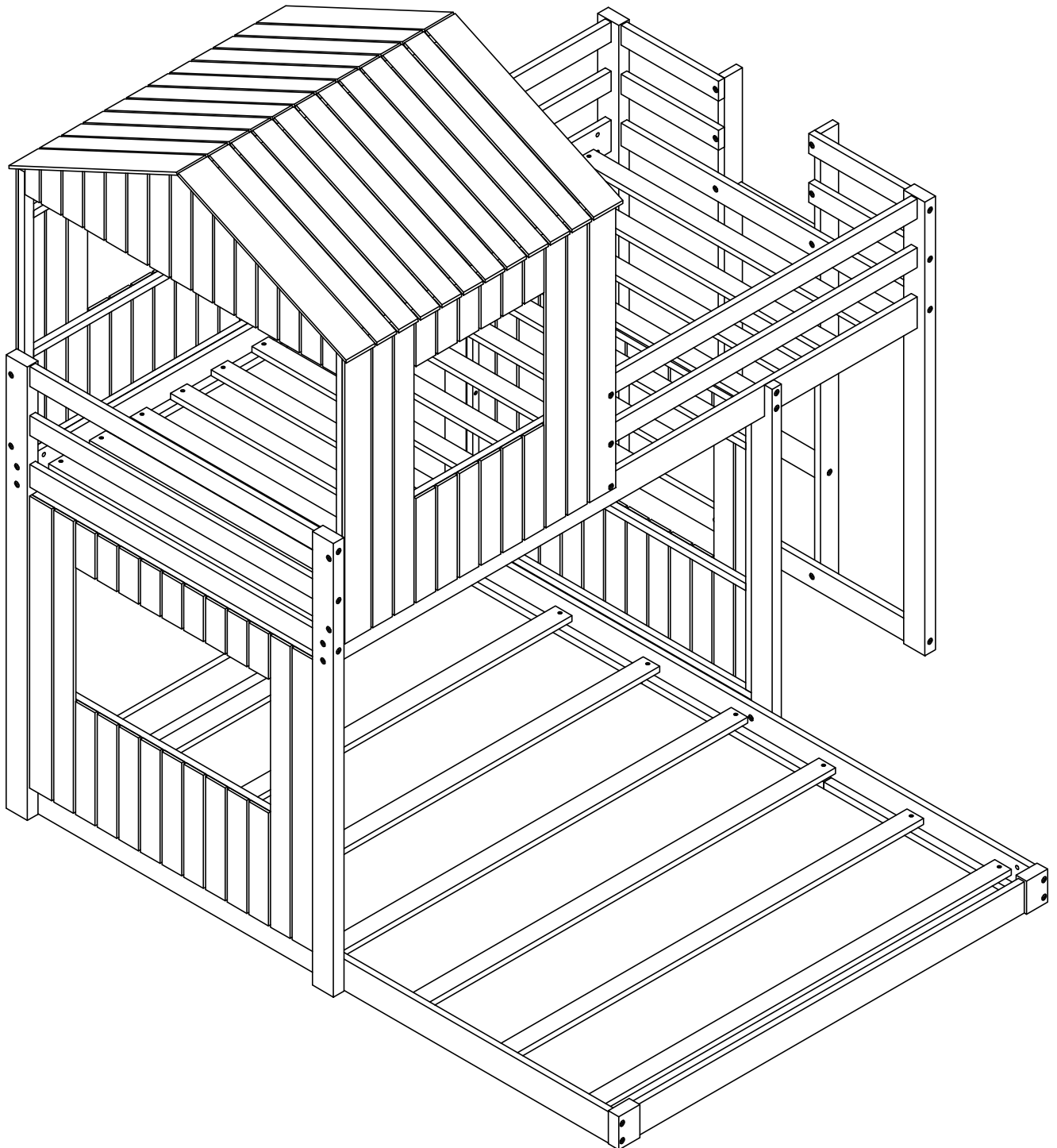
Bed Type	Length	Width	Thickness
<i>Twin Standard</i>	<i>74" - 75"</i>	<i>38 1/2"</i>	<i>8" max</i>
<i>Full Standard</i>	<i>74" - 75"</i>	<i>53 1/2"</i>	<i>8" max</i>

2. Replacement parts, including additional guardrails, may be obtained from any of our dealers
3. Follow the information on the warnings appearing on the upper bunk bed end structure and on the carton. Do not remove warning label from bed.
4. Always use the recommended size mattresses or mattress supports, or both, to help prevent the likelihood of entrapment or falls.
5. Surface of the mattress must be at least 5" (127 mm) below the upper edge of guardrails.
6. Do not allow children under 6 years of age to use the upper bunk.
7. Periodically check and ensure that the guardrail, ladder, and other components are in their proper position, free from damage, and that all connectors are tight.
8. Do not allow horseplay on or under the bed and prohibit jumping on the bed
9. Always use the ladder for entering and leaving the upper bunk.
10. Do not use substitute parts. Contact the manufacturer or dealer for replacement parts.
11. Use of a night light may provided added safety precaution for a child using the upper bunk.
12. Always use guardrails on both long sides of the upper bunk. If the bunk bed will be placed next to the wall, the guardrail that runs the full length of the bed should be placed against the wall to prevent entrapment between the bed and wall.
13. The use of water or sleep flotation mattresses is prohibited.
14. **STRANGULATION HAZARD** – Never attach or hang items to any part of the bunk bed that are not designed for use with the bed; for example, but not limited to, hook, belts and jump ropes.
15. Keep these instructions for future reference

ASSEMBLY INSTRUCTION

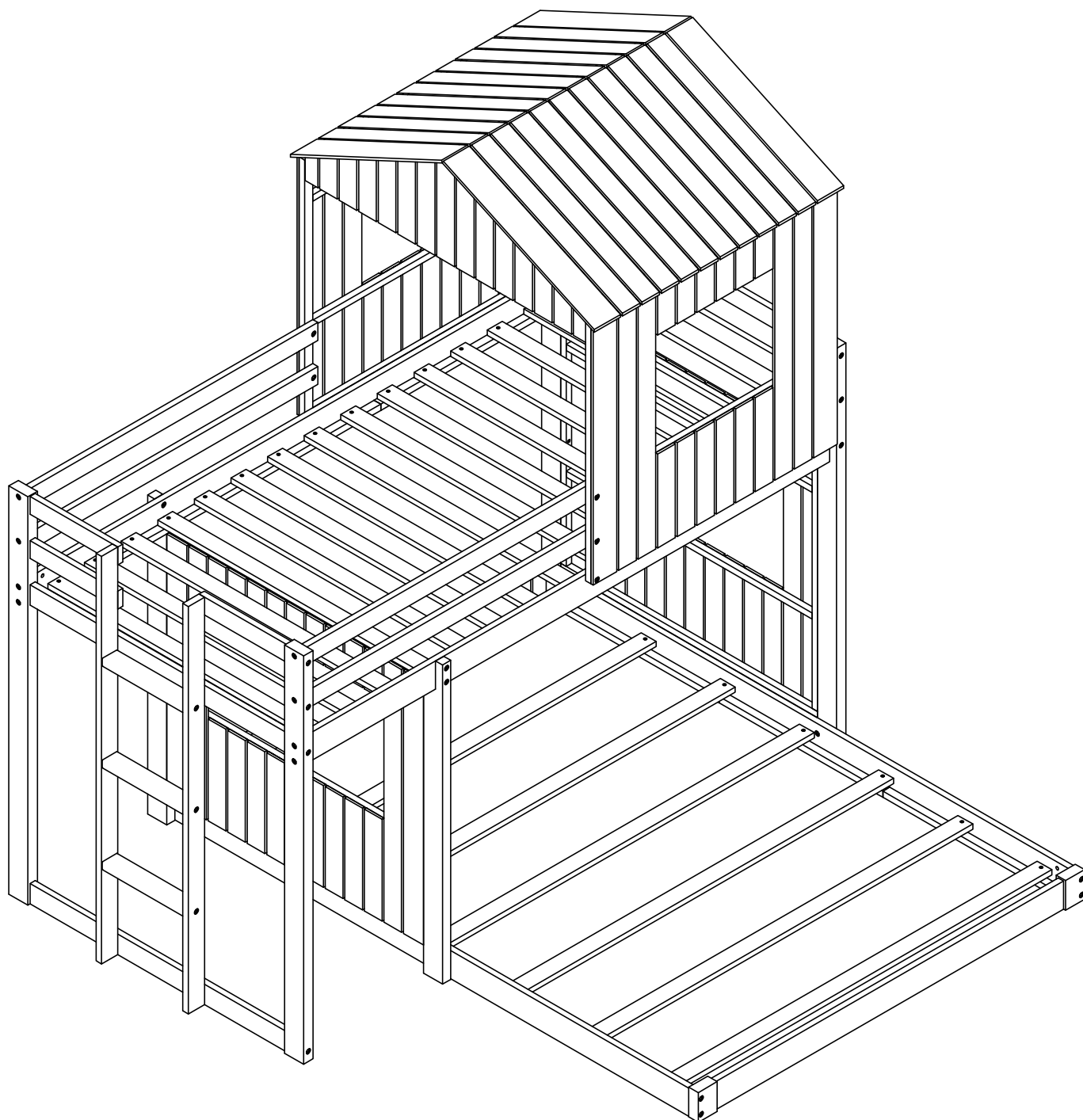
HOUSE BED OPTION 1

This item can be assemble full bed
left(option 1) or right(option 2)

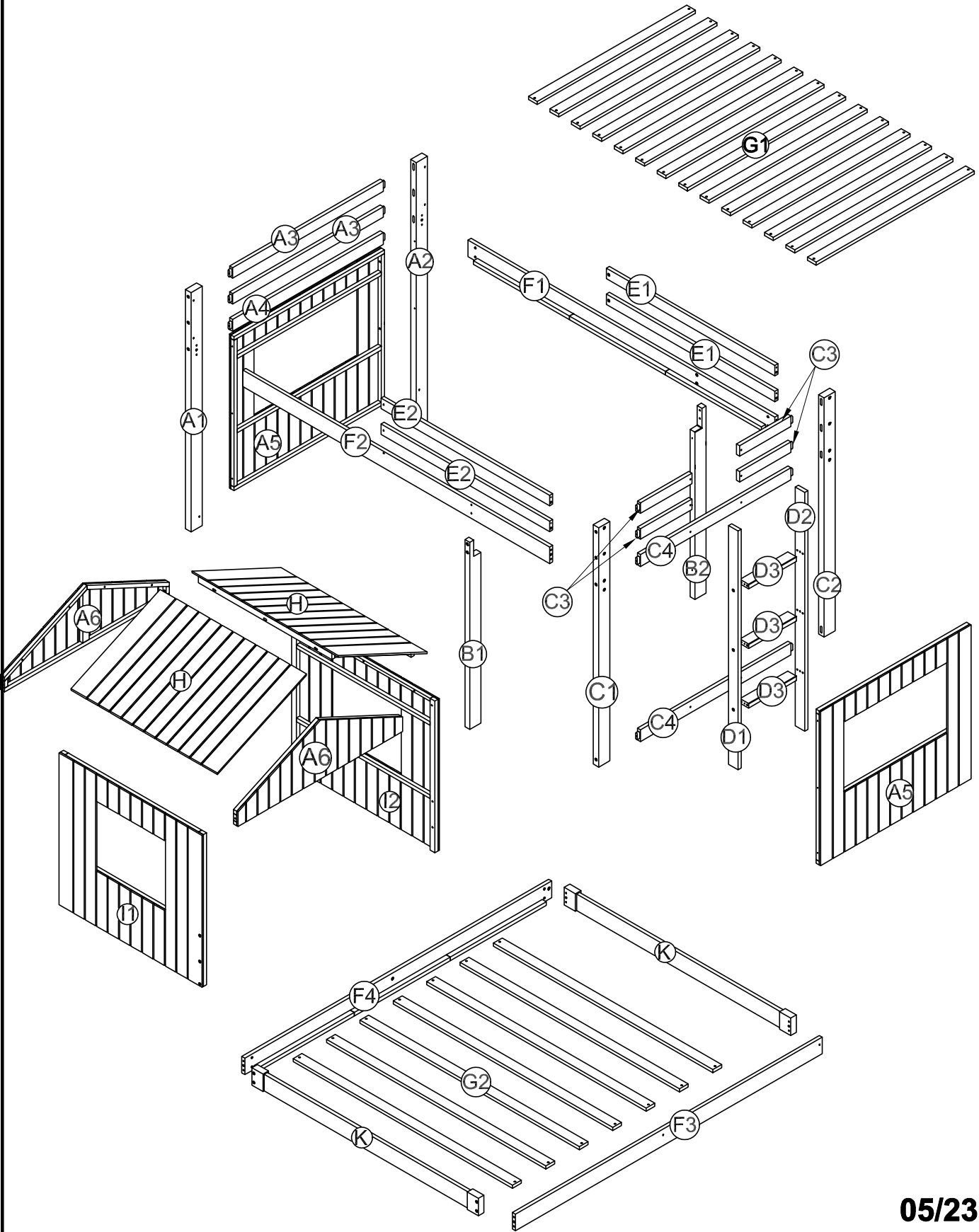


HOUSE BED OPTION 2

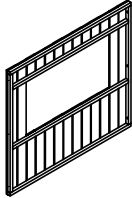
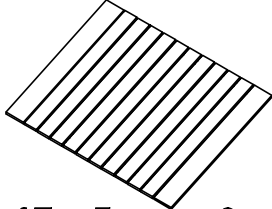
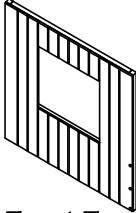

If you are using option 1, you want to
using to option 2, start from step 14



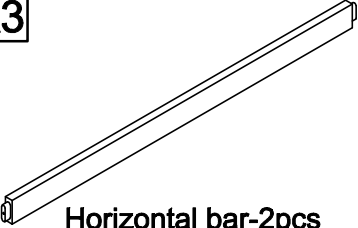
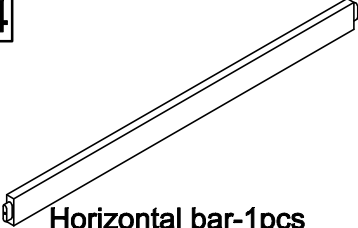
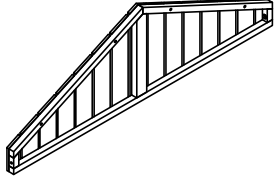
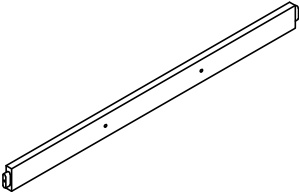
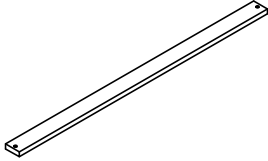
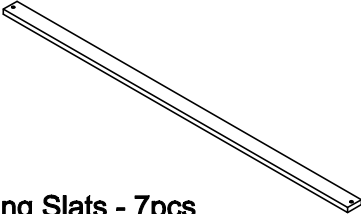



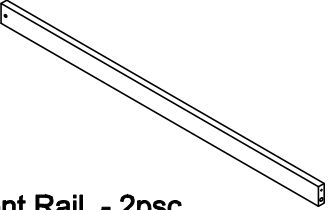
ASSEMBLY INSTRUCTION









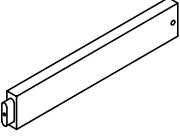
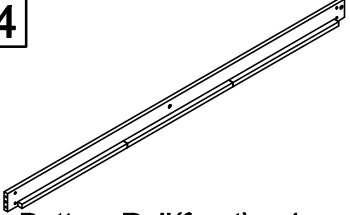
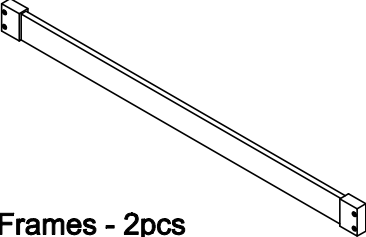
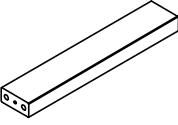
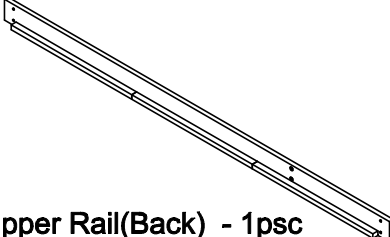
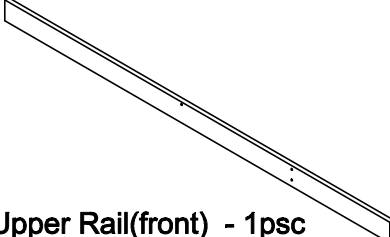
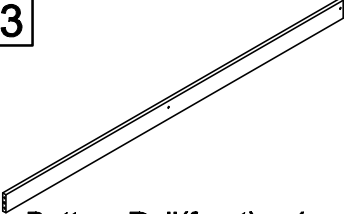
Part List

A5  Side Frames-2pcs	H  Roof Top Frames - 2pcs	I1  Front Frames - 1pcs
I2  Back Frames - 1pcs		


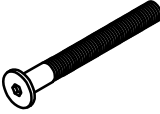

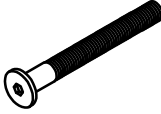
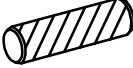
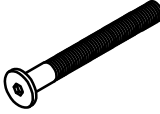




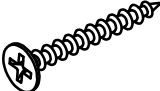
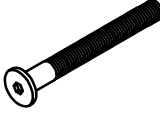
Part List

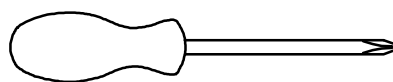
A3  Horizontal bar-2pcs	A4  Horizontal bar-1pcs	A6  Side Frames-2pcs
C4  Horizontal bar-2pcs	G1  Short Slats - 14pcs	G2  Long Slats - 7pcs
D1  Side Ladder - 1psc	D2  Side Ladder - 1psc	E1  Back Rail - 2psc
E2  Front Rail - 2psc		

Part List & Hardware List(Box 3)

<p>A1</p>  <p>Leg (Front -Left) - 1pcs</p>	<p>A2</p>  <p>Leg (Back -Left) - 1pcs</p>	<p>B1</p>  <p>Leg (Front -Middle) - 1pcs</p>
<p>B2</p>  <p>Leg (Back -Middle) - 1pcs</p>	<p>C1</p>  <p>Leg (Front -Right) - 1pcs</p>	<p>C2</p>  <p>Leg (Back -Right) - 1pcs</p>
<p>C3</p>  <p>Horizontal bar-4pcs</p>	<p>F4</p>  <p>Bottom Rail(front) - 1pcs</p>	<p>K</p>  <p>Frames - 2pcs</p>
<p>D3</p>  <p>Step Ladder - 3psc</p>	<p>F1</p>  <p>Upper Rail(Back) - 1psc</p>	<p>F2</p>  <p>Upper Rail(front) - 1psc</p>
<p>F3</p>  <p>Bottom Rail(front) - 1psc</p>		

Hardware List

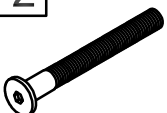
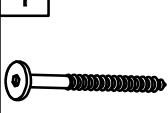
<p>1</p>  <p>Screws 1/4" x100 (14pcs)</p>	<p>2</p>  <p>Ø1/4" x 30 mm Hex-Head bolts 24pcs</p>	<p>3</p>  <p>Screws 1/4" x50 (6pcs)</p>
<p>4</p>  <p>Ø1/4" x 35 mm Hex-Head bolts 28pcs</p>	<p>5</p>  <p>Ø10 x 40 mm Wood dowel 24pcs</p>	<p>6</p>  <p>Ø1/4" x 80 mm Hex-Head bolts 16pcs</p>
<p>7</p>  <p>Ø1/4" x 15 mm Canopy head though - 12pcs</p>	<p>8</p>  <p>Allen Key 1pc</p>	<p>9</p>  <p>Ø1/4" x 13 mm Horizontal-Hole bolts 16pcs</p>
<p>10</p>  <p>Screws 1/4" x70 (4pcs)</p>	<p>11</p>  <p>M4 x 30 mm Wood Screws 42pcs</p>	<p>2.1</p>  <p>Ø1/4" x 50 mm Hex-Head bolts 4pcs</p>

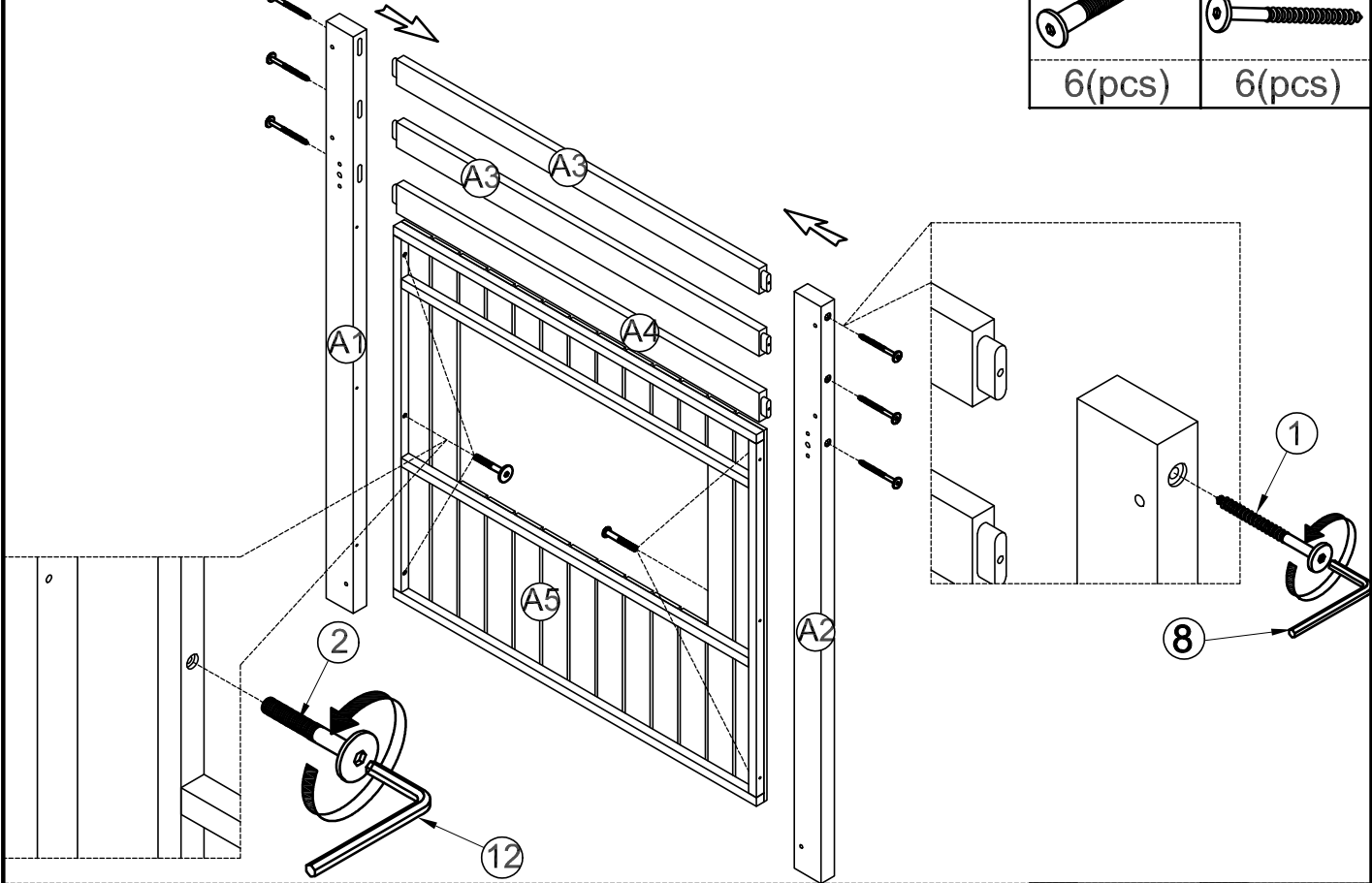


Assembly Tools Required (Not Included)

STEP 1:

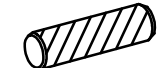

Following below illustration Assembly Headboard . Using hardware #1 & #2 connect A1 and A2 legs with A5 Frame & A3(x2), A4(x1) Bar to complete LEFT side of Twin Bed

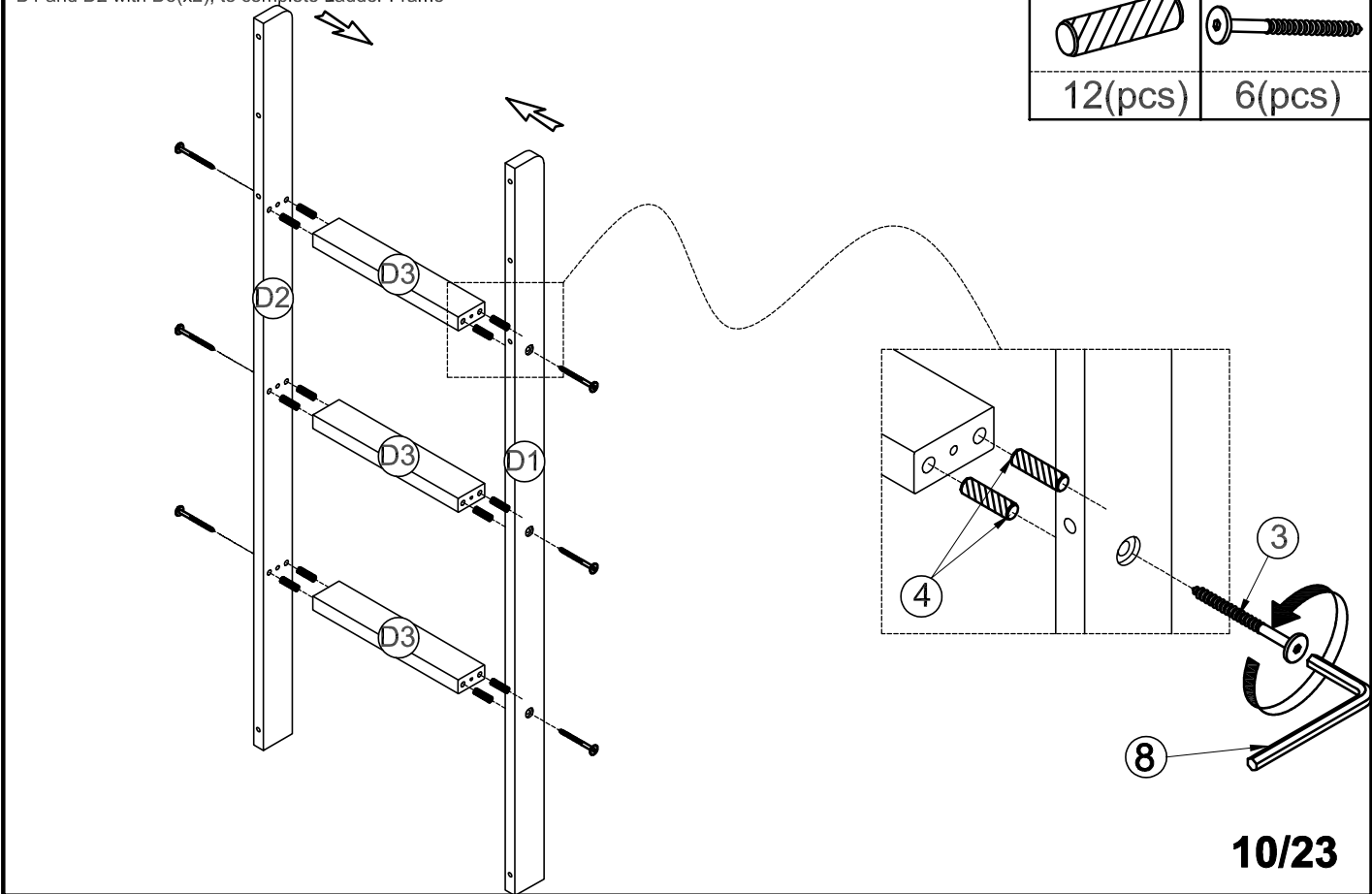
	
6(pcs)	6(pcs)



STEP 2.1:

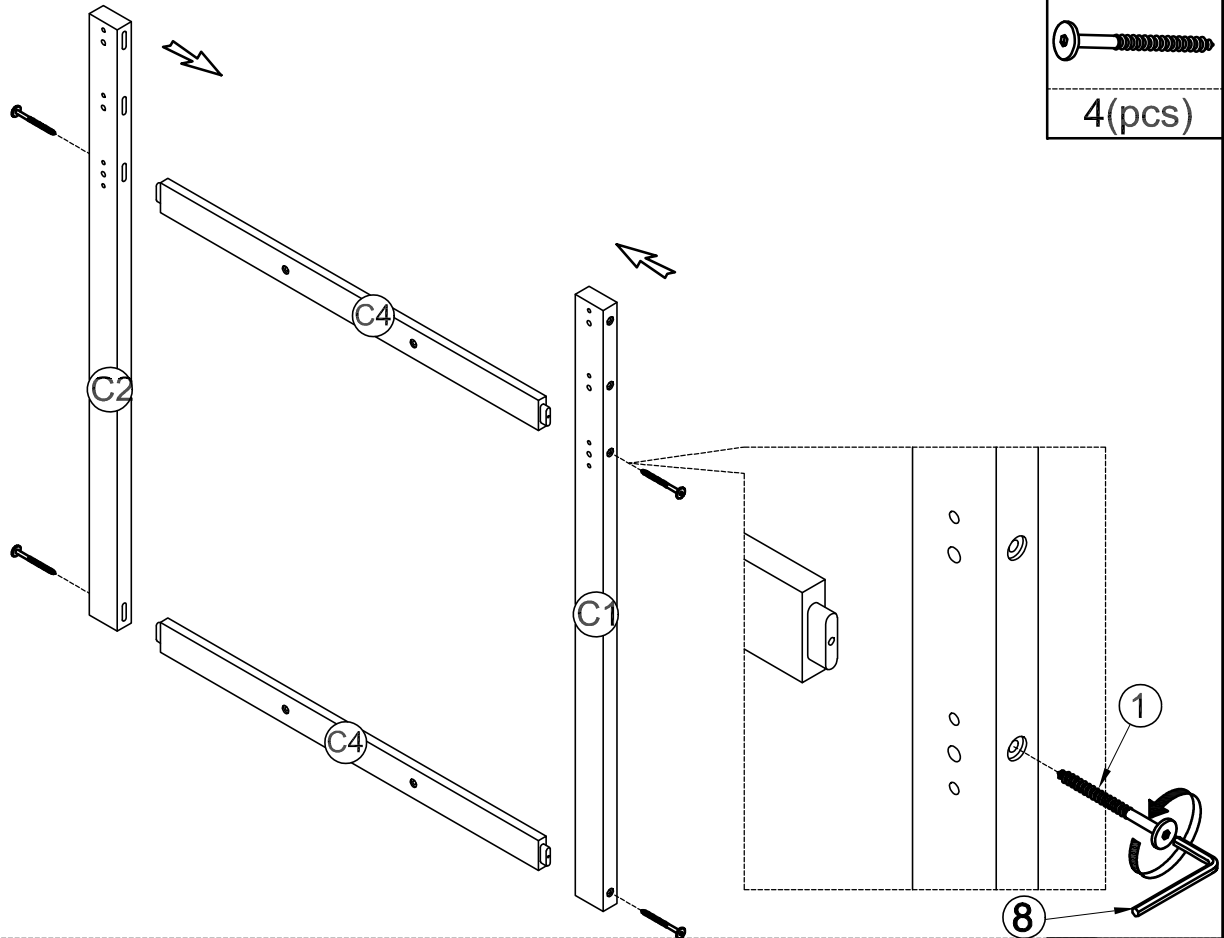
Following below illustration Assembly Ladder . Using hardware #3 & dowel #5 connect D1 and D2 with D3(x2), to complete Ladder Frame

	
12(pcs)	6(pcs)



STEP 2-2:

Following below illustration Assembly Footboard .Using hardware #1 connect C1 and C2 legs with C4(x2),



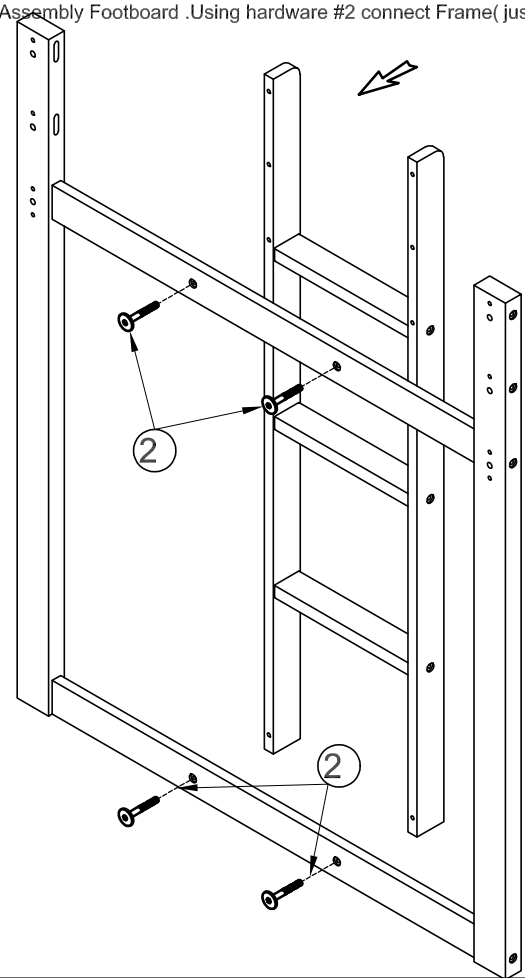
1



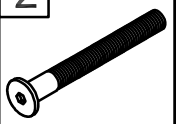
4(pcs)

STEP 2-3:

Following below illustration Assembly Footboard .Using hardware #2 connect Frame(just finished step 2.2) with Ladder Frame(just finished step 2.1)



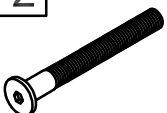
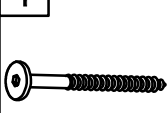
2

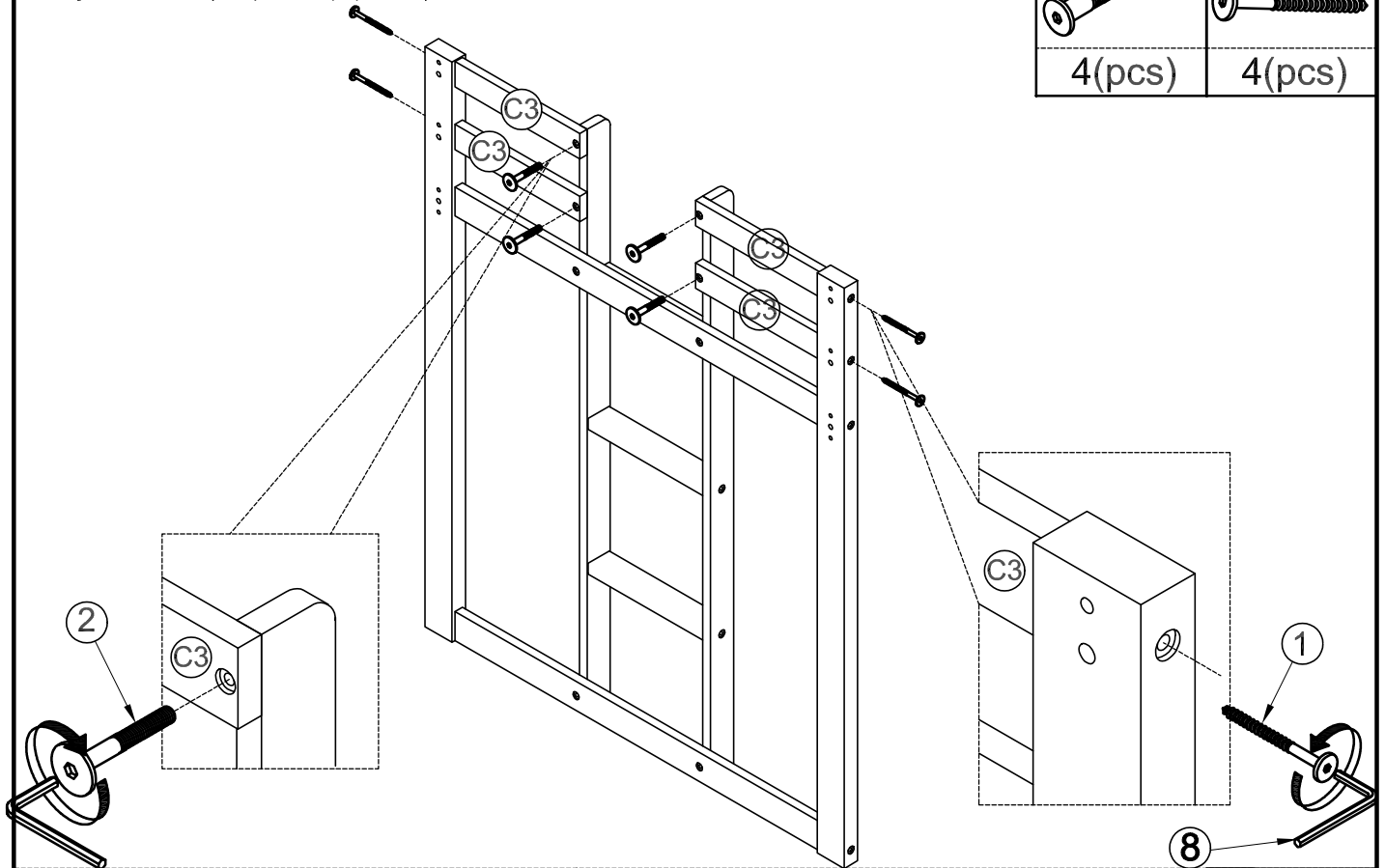


4(pcs)

STEP 2-4:

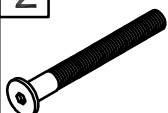
Following below illustration Assembly Footboard .Using hardware #1 connect Frame(just finished step 2.3) with C3(x4) to complete RIGHT side of Twin Bed

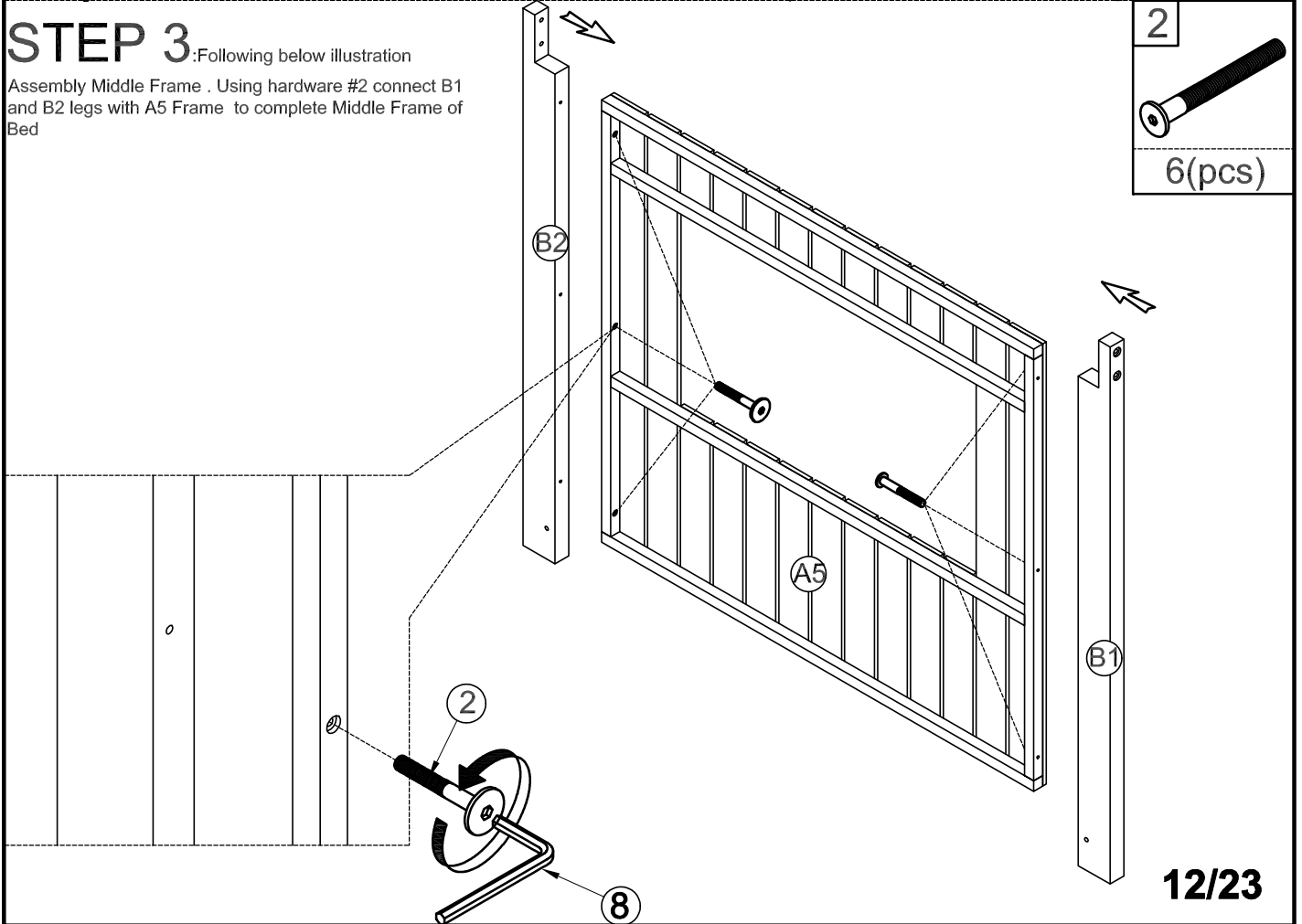
2	1
	
4(pcs)	4(pcs)



STEP 3:

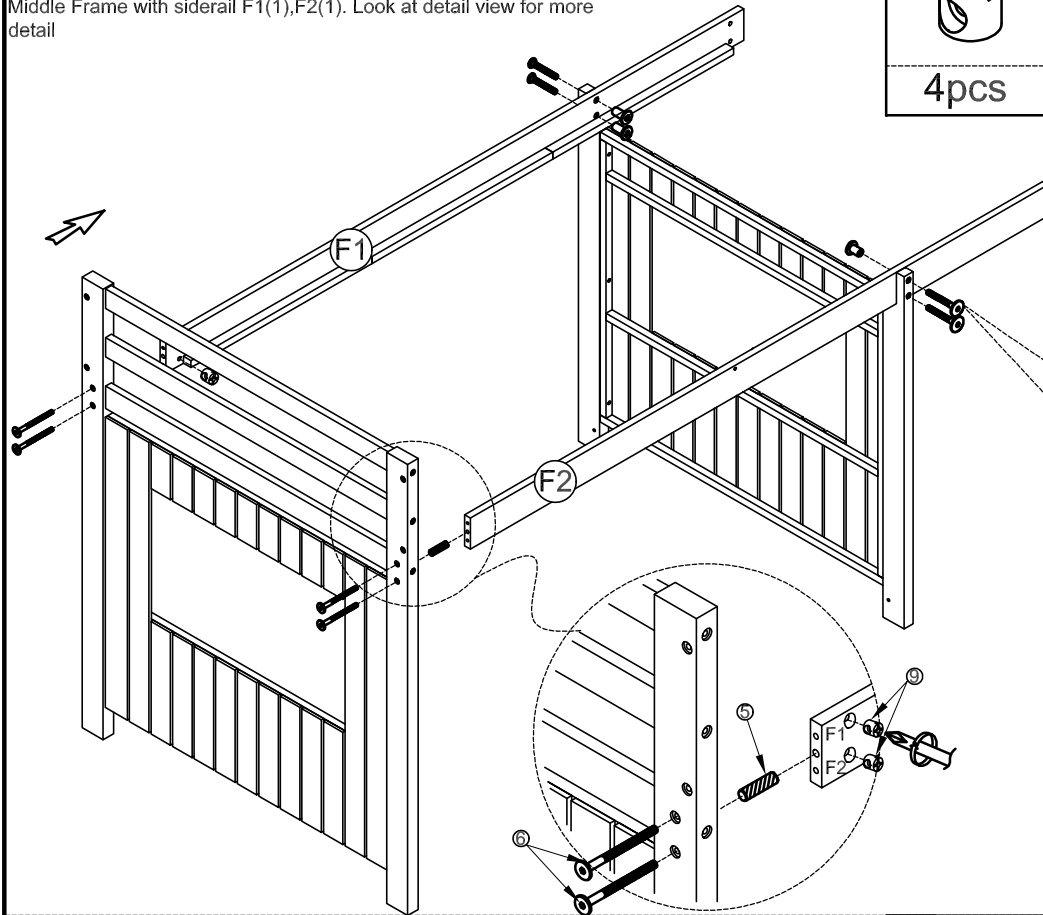
Following below illustration Assembly Middle Frame . Using hardware #2 connect B1 and B2 legs with A5 Frame to complete Middle Frame of Bed

2

6(pcs)

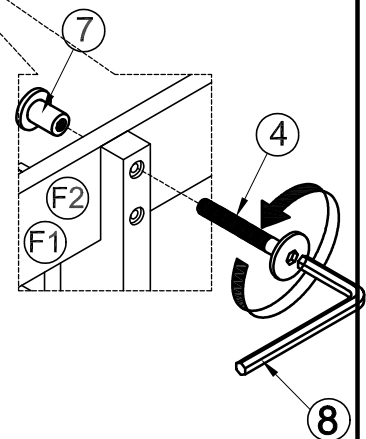


STEP 4

Following below illustration Using hardware #6, #9, #7, #4 and dowel #5 follow detail view to Assembly Headboard and Middle Frame with siderail F1(1), F2(1). Look at detail view for more detail

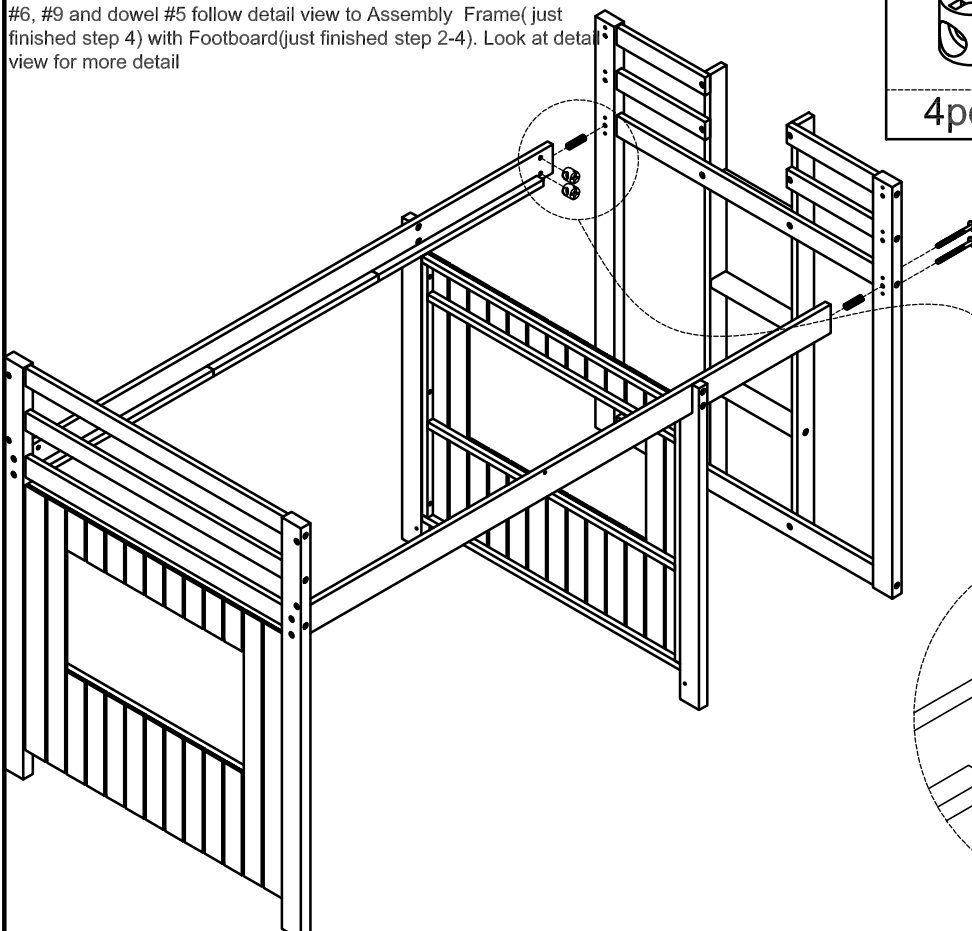


9	6	5
4pcs	4pcs	2pcs
7	4	
4pcs	4pcs	

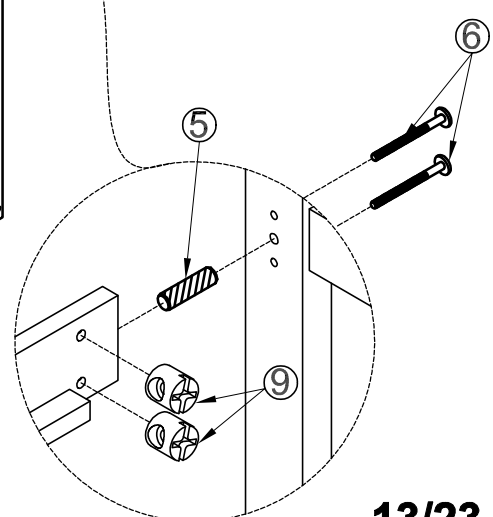


STEP 5

Following below illustration Using hardware #6, #9 and dowel #5 follow detail view to Assembly Frame (just finished step 4) with Footboard (just finished step 2-4). Look at detail view for more detail



9	6	5
4pcs	4pcs	2pcs



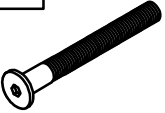


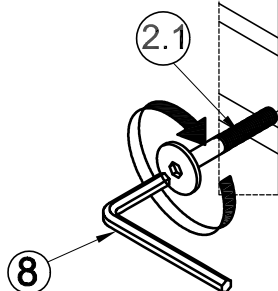
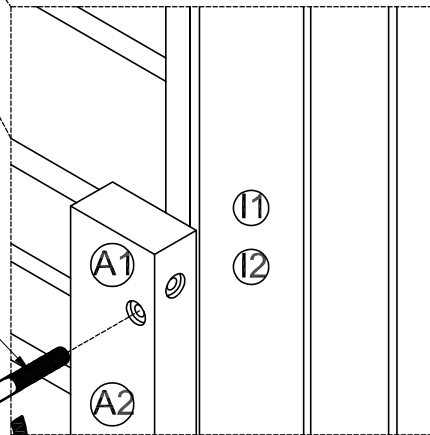
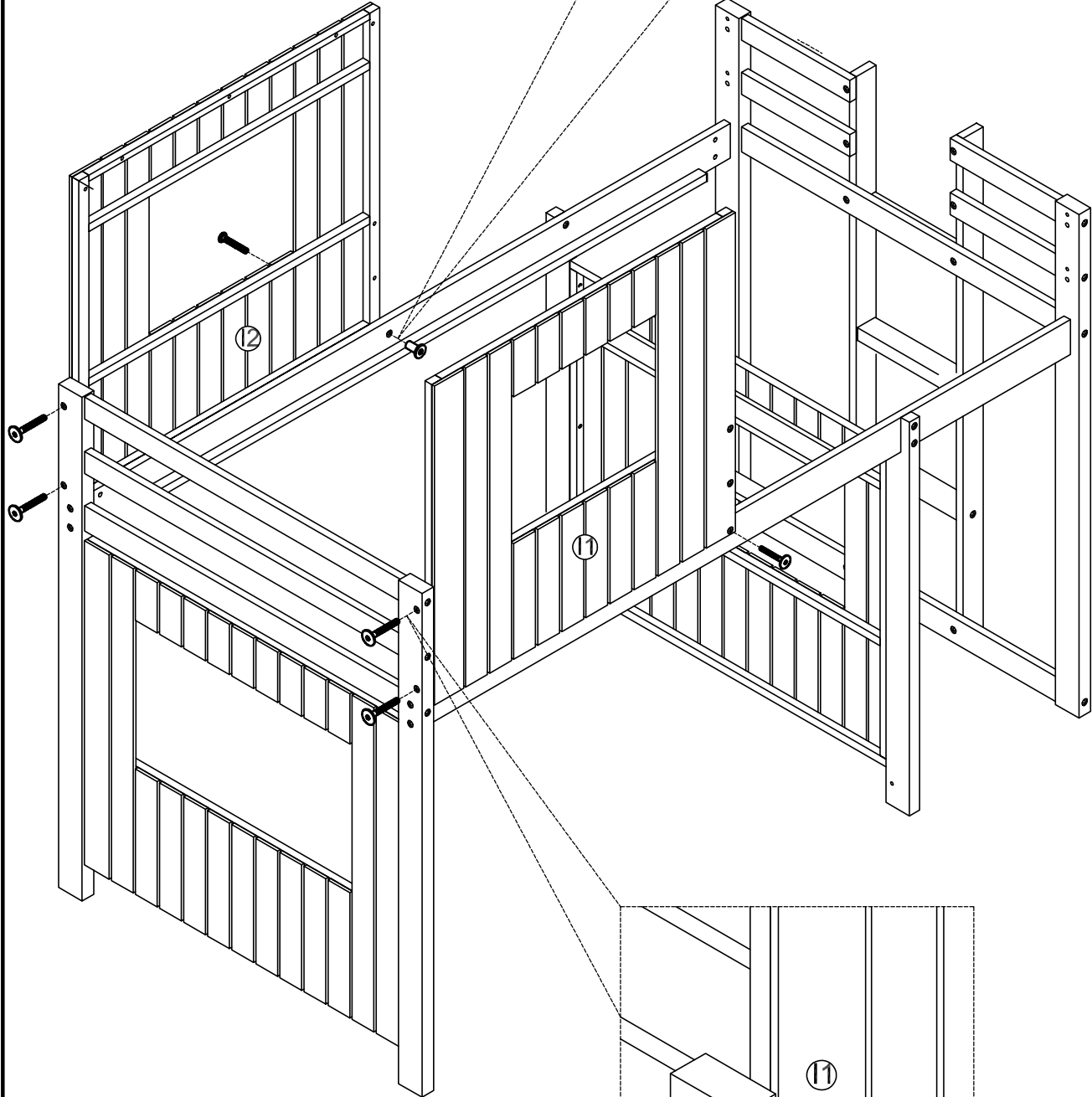
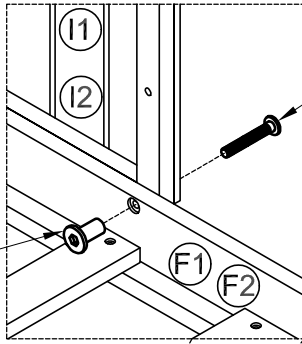
STEP 6:

Following below illustration.

Using hardware #2.1, #7, #8 follow detail view to Assembly Bed Frame (just finished step 5) with I1 Frames(1), I2 Frames(1)





Look at detail view for more detail

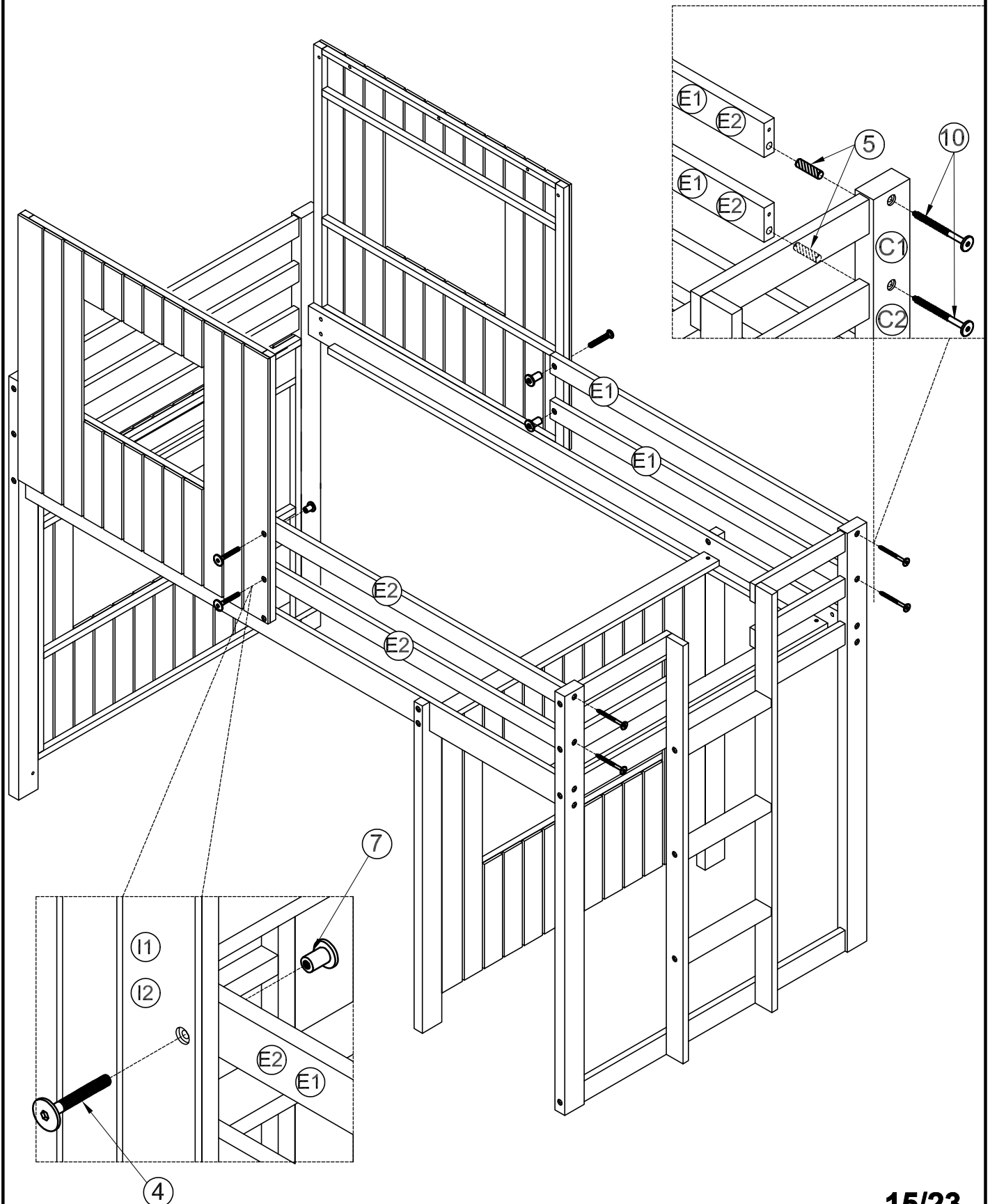
4	7	2.1
		
2(pcs)	2(pcs)	4(pcs)



STEP 7:



Following below illustration. Connect the Right frame with Front frame & Back Frame by Guardrail E1 (x2) and Guardrail E2 (x2). Using hardware number listed in the right corner page also on picture to assembly.

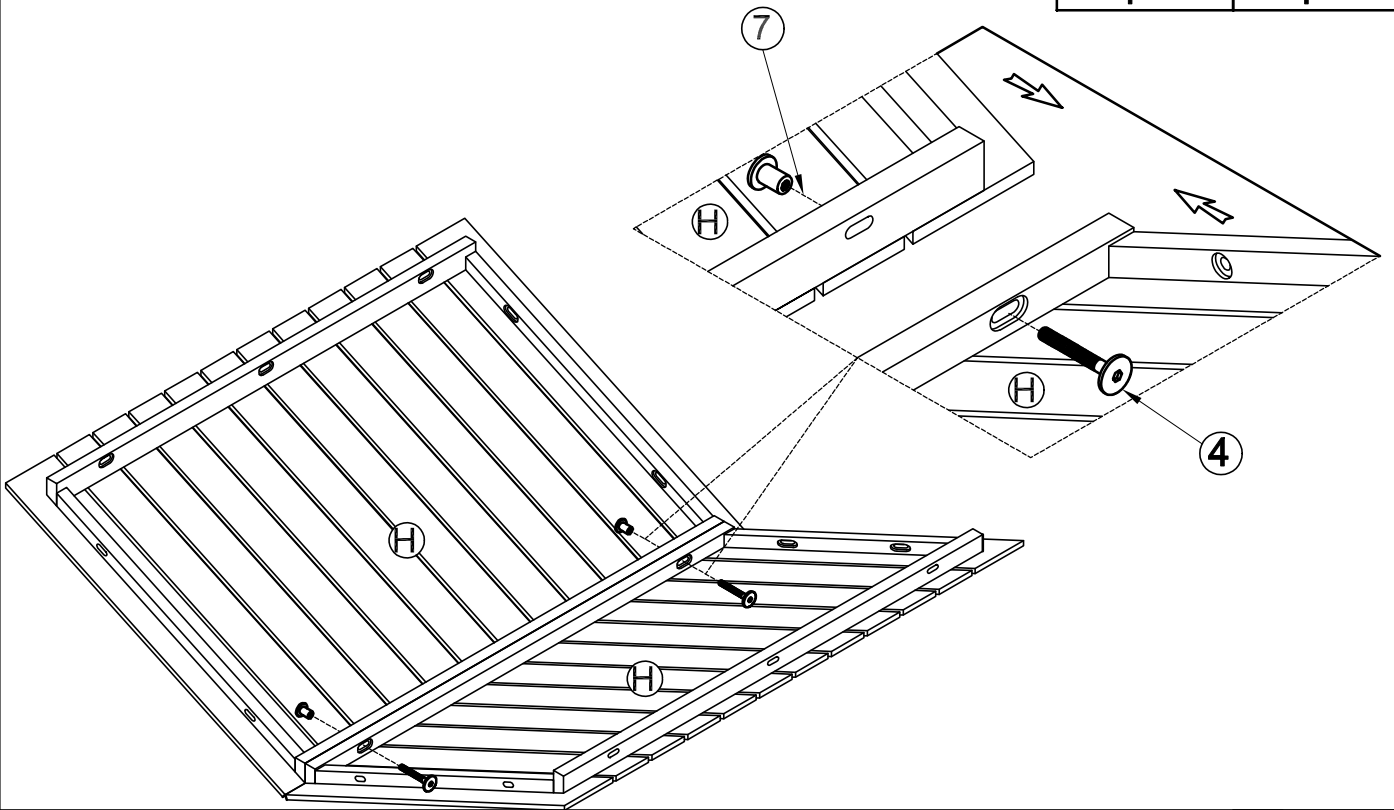
4	7	10	5
			
4(pcs)	4(pcs)	4(pcs)	4(pcs)



STEP 8:

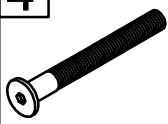
Following below illustration Assembly Roof Top Frame .Using hardward #7, #4 connect H Frame With H Frame.Look at detail view for more detail

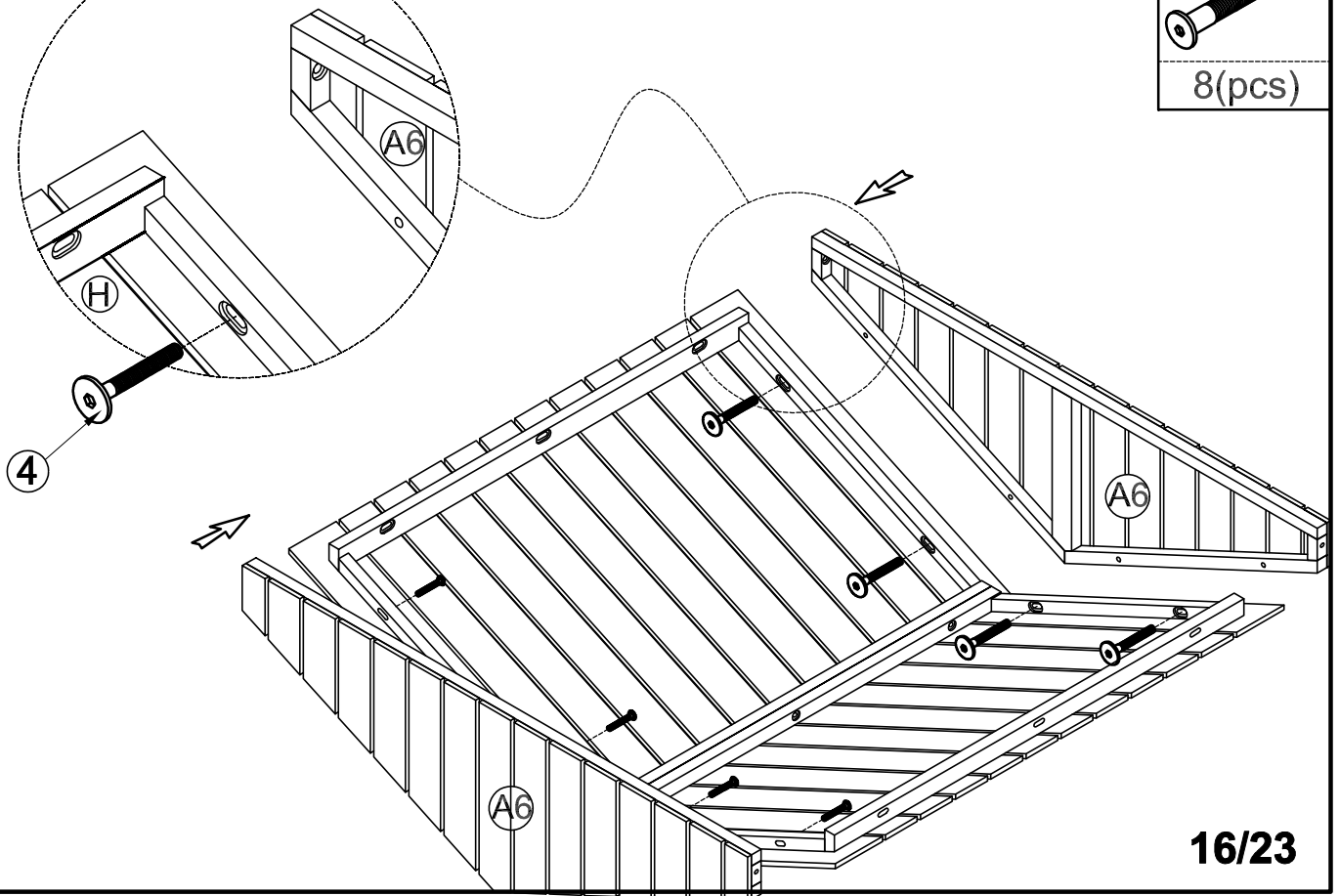
4	7
	
2pcs	2pcs



STEP 9:

Following below illustration Assembly Roof Top Frame.Using hardware #4 connect Frame(just finished step 8) with A6 Frame(x2) to complete Roof Top Frame

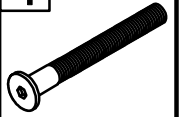
4

8(pcs)



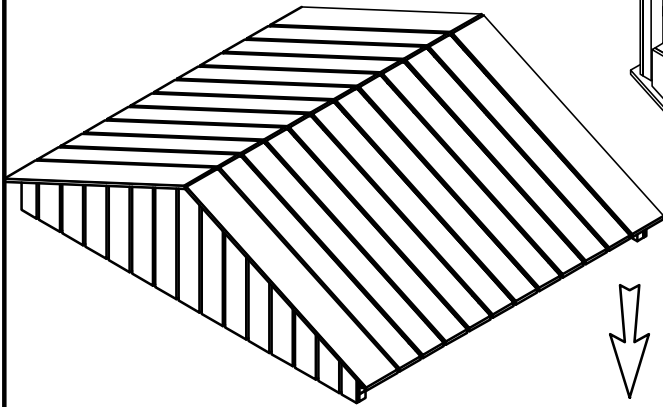
STEP 9

:Following below illustration . Using hardware #4 connect
Frame(just finished step 7) with Frame(just finished step 9) Using hardware number
listed in the right corner page also on picture to assembly.

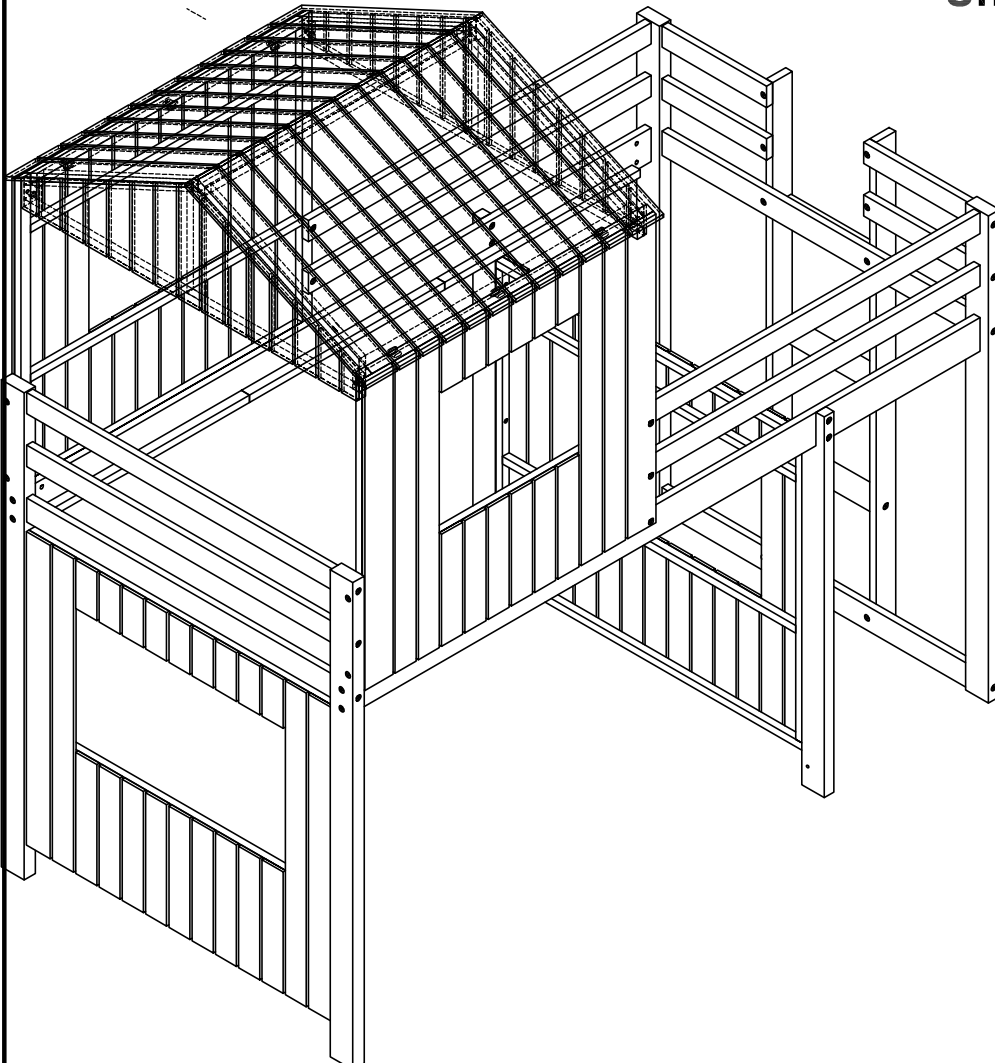
4



8pcs

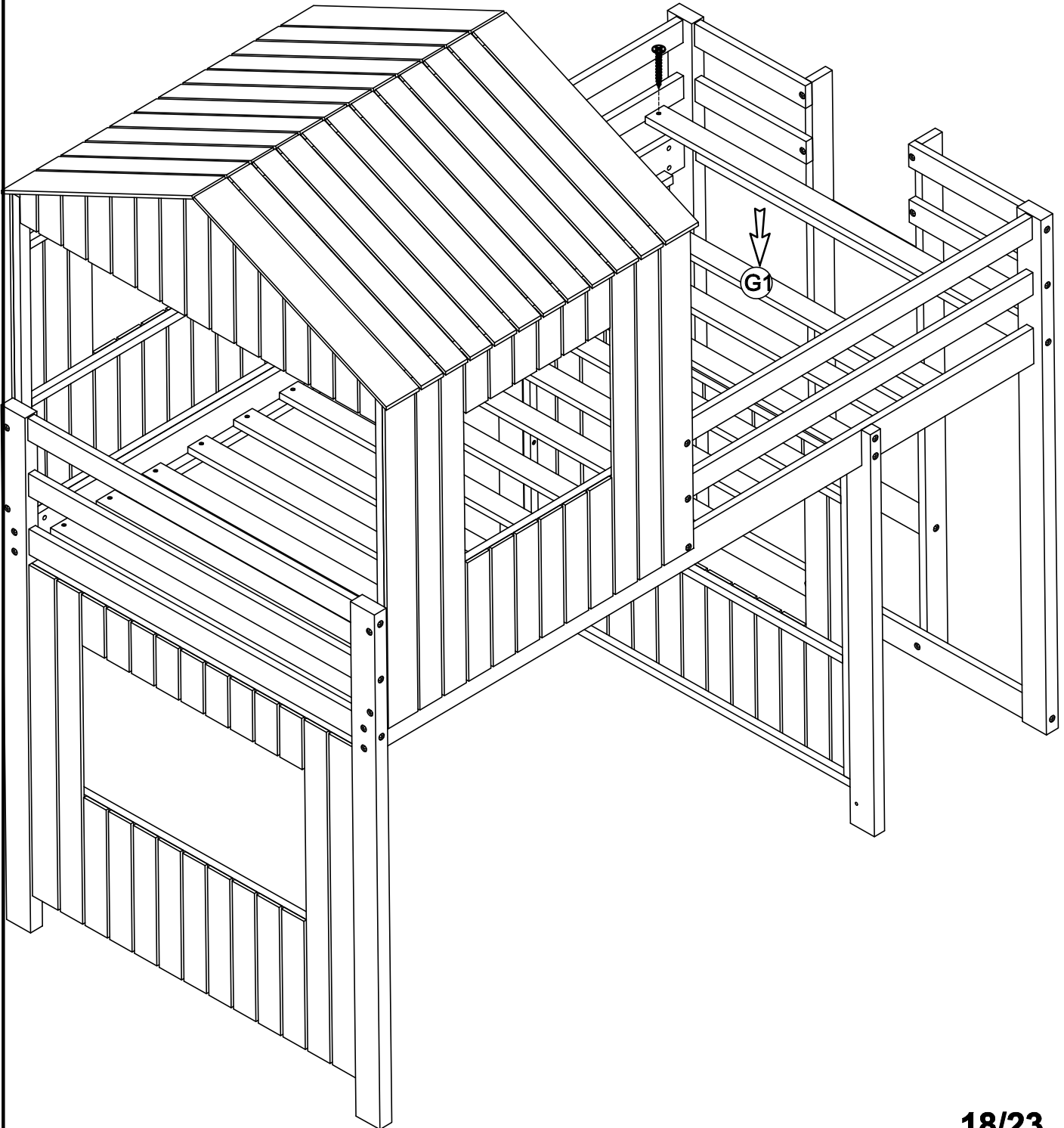
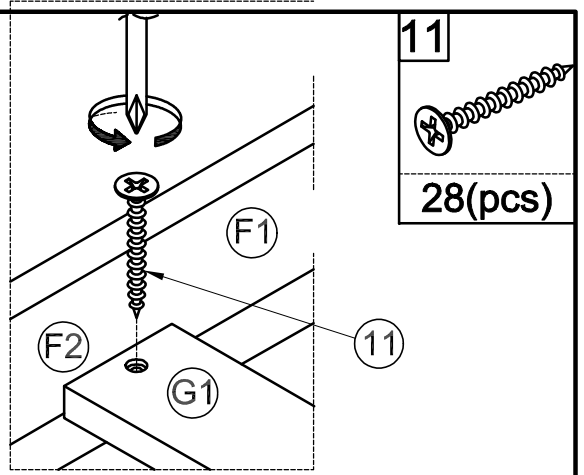


Under the roof view




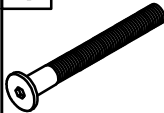

STEP 10: Following below illustration. Screw 14 slats G1 with Side Rail F1&F2 by using hardward #11

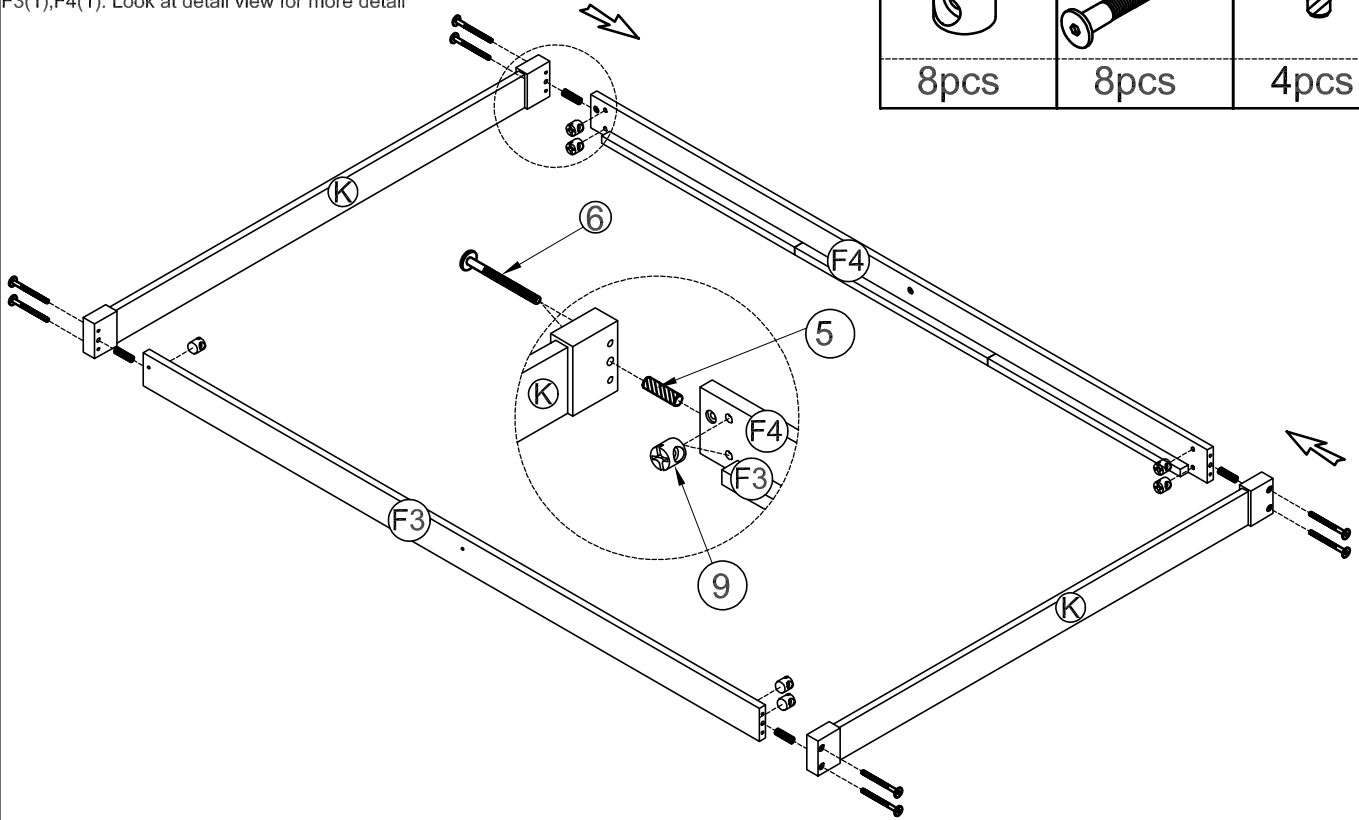
ATTENTION: REMEMBER TO COMPLETE SCREW ALL SLATS WITH SIDERAIL BEFORE USING.



STEP 11

:Following below illustration Assembly Full Bed Using hardward #6,
#9 and dowel #5 follow detail view to Assembly Headboard and Footboard with siderail
F3(1),F4(1). Look at detail view for more detail

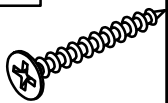
9	6	5
		
8pcs	8pcs	4pcs

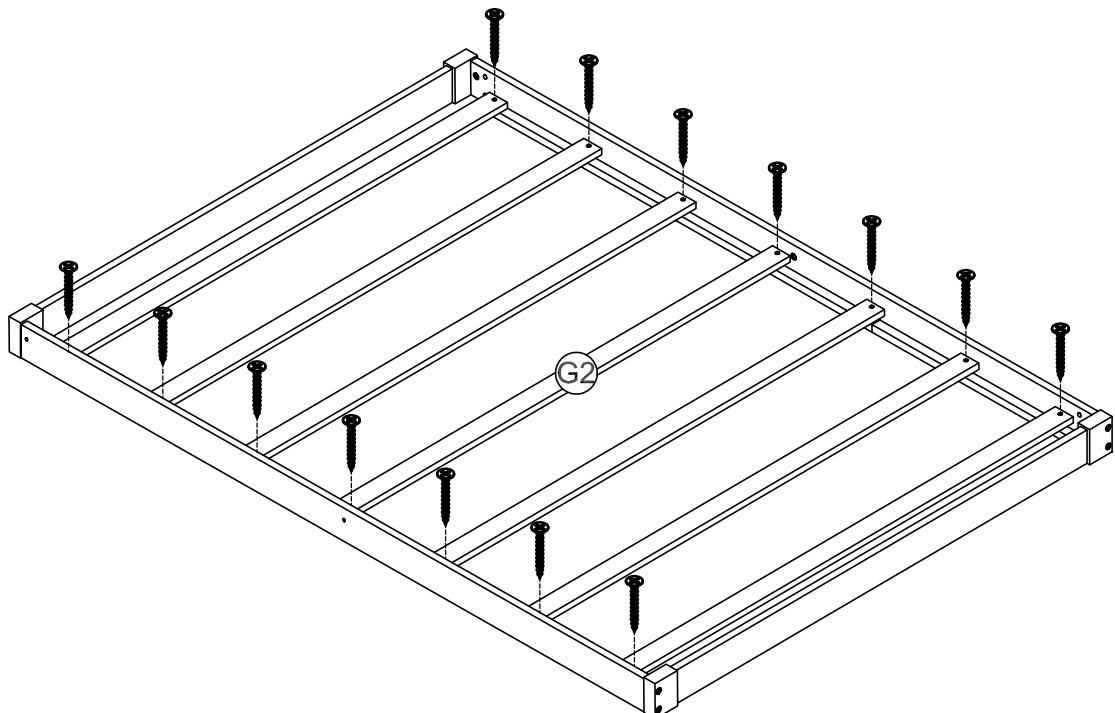


STEP 12:

Following below illustration. Screw 7 slats G2 with Side Rail F3&F4 by using hardward #11

ATTENTION: REMEMBER
TO COMPLETE SCREW ALL
SLATS WITH SIDERAIL
BEFORE USING.

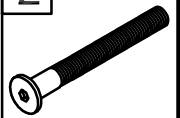
11

14(pcs)



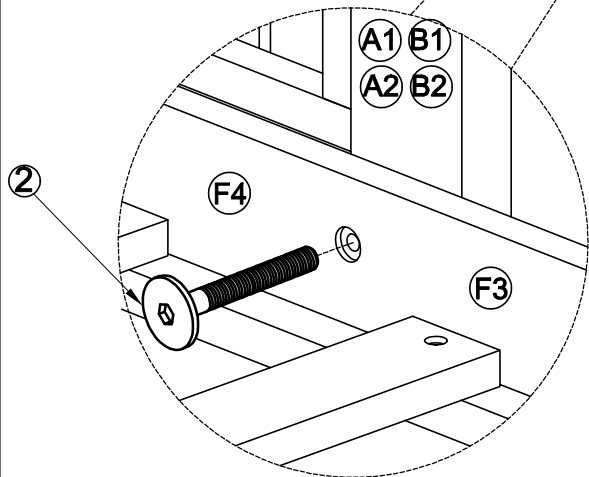
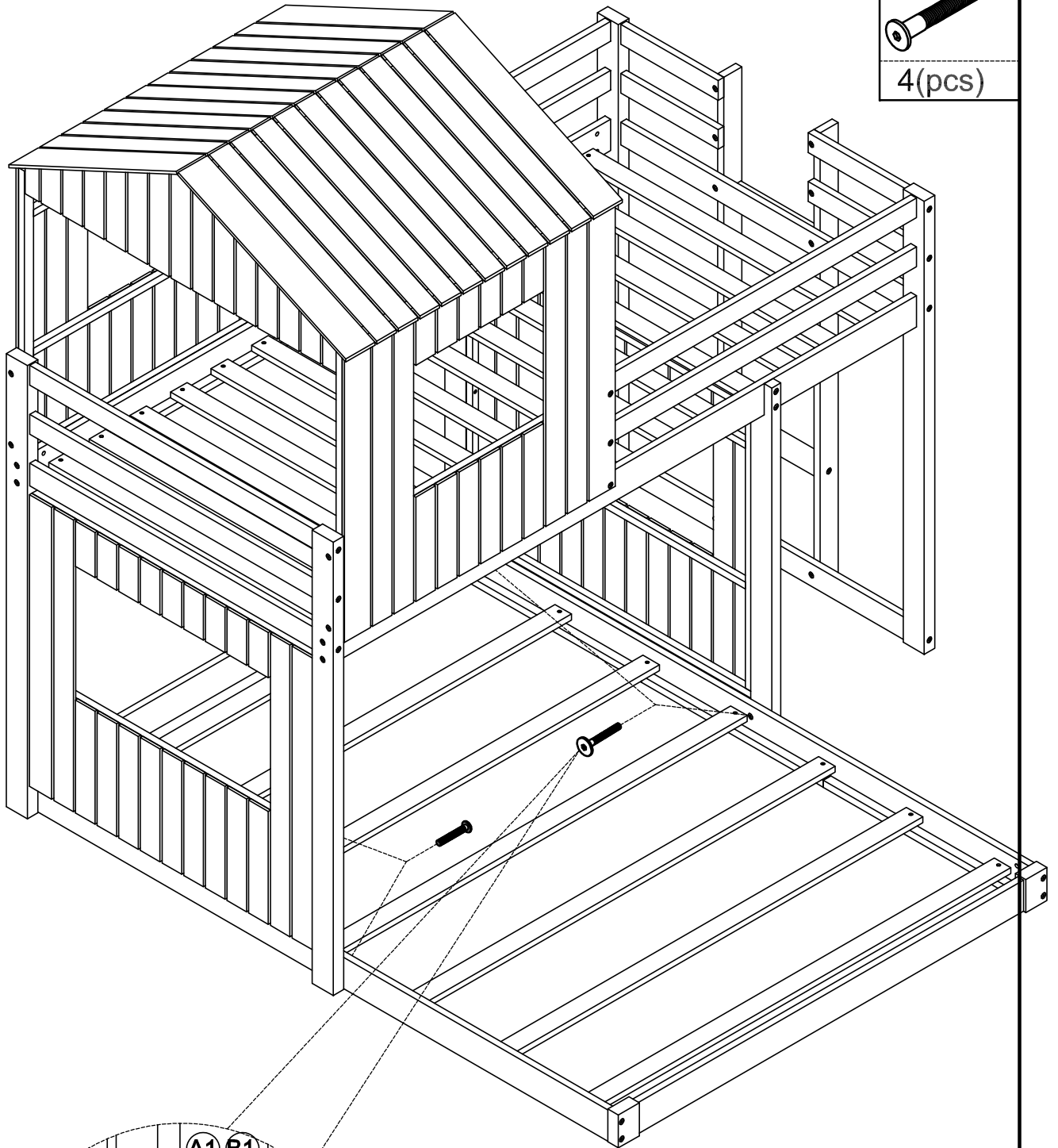
STEP 13

:Following below illustration Using hardward #2 to Assembly Twin Bed with Full Bed .Look at detail view for more detail

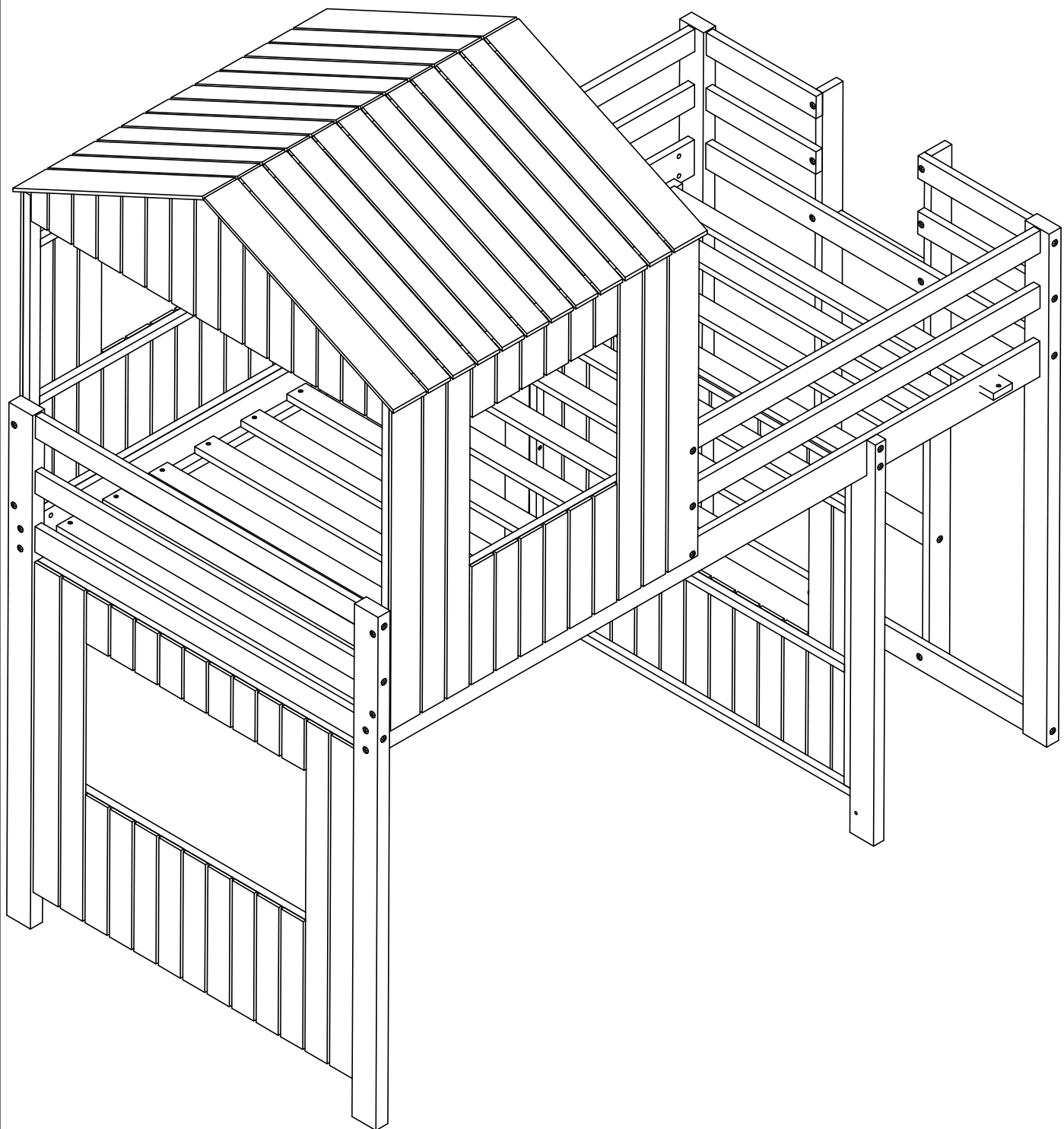
2



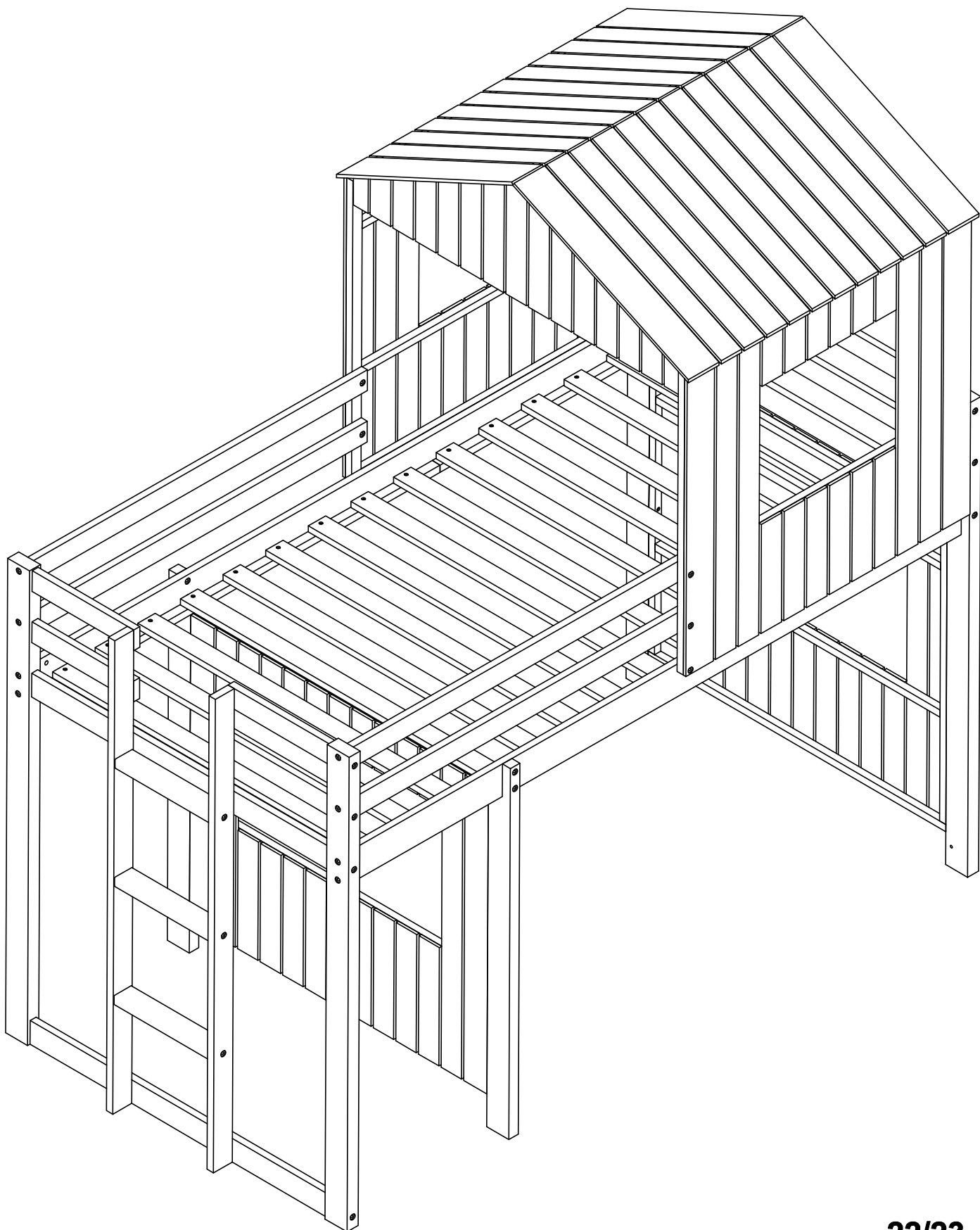
4(pcs)



STEP 14: Disassemble the full bed



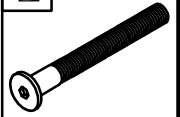
STEP 15: Rotate Twin Bed 180 degrees.



STEP 16

:Following below illustration Using hardware #2 to Assembly Twin Bed with Full Bed .Look at detail view for more detail

2



4(pcs)

